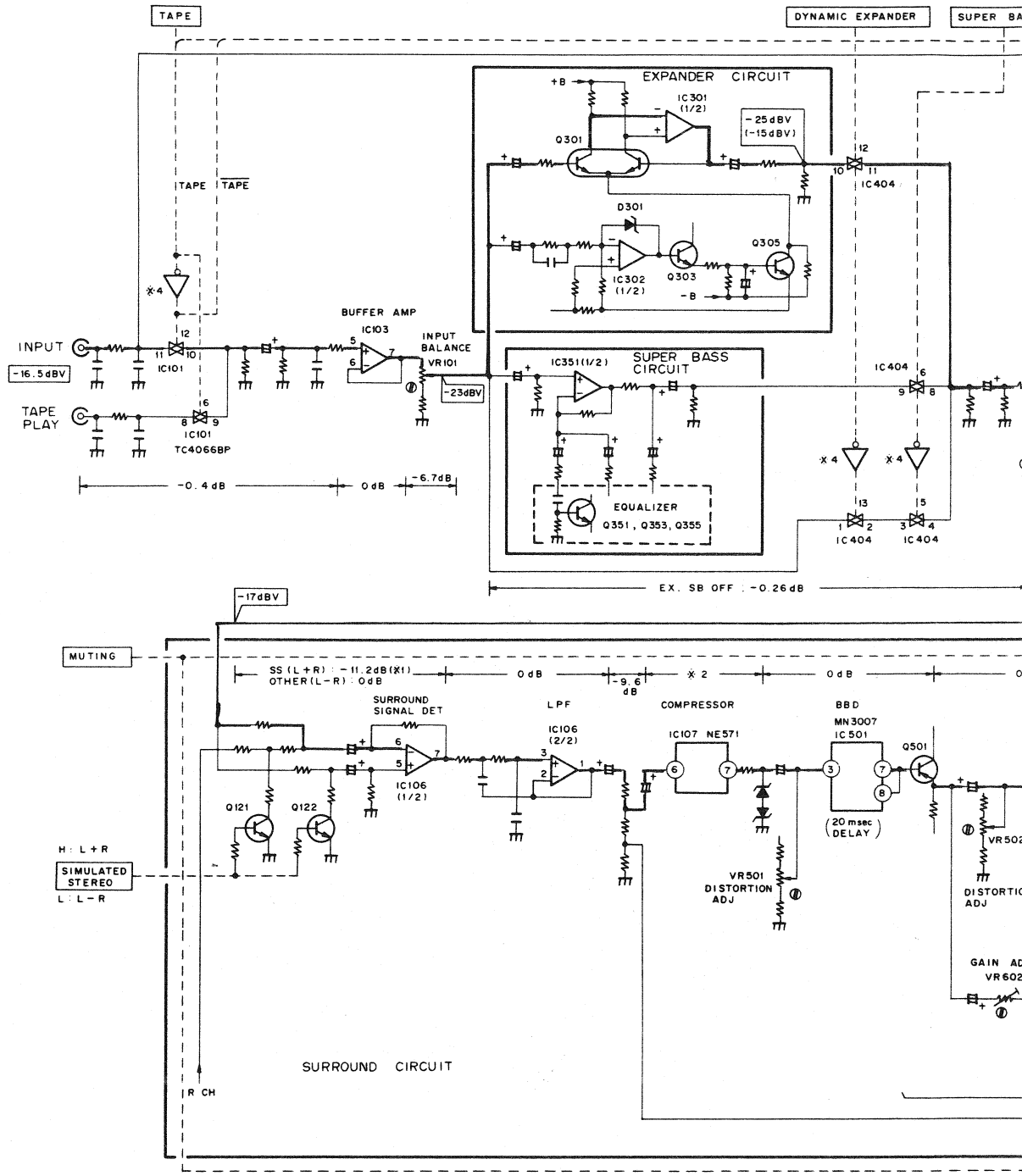


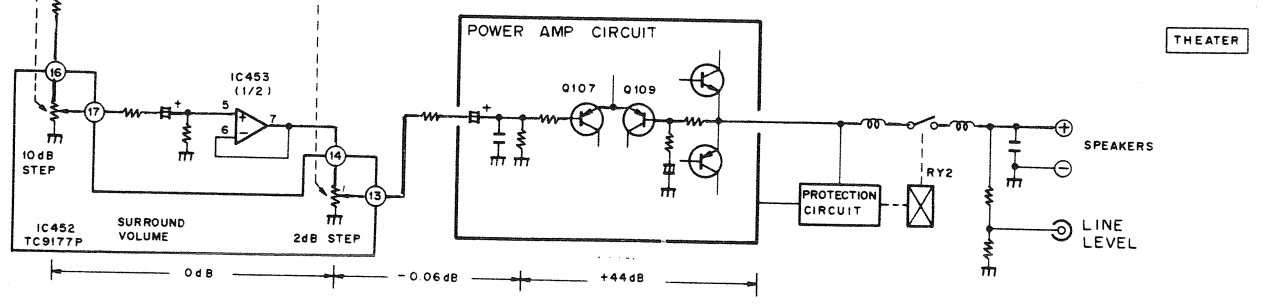
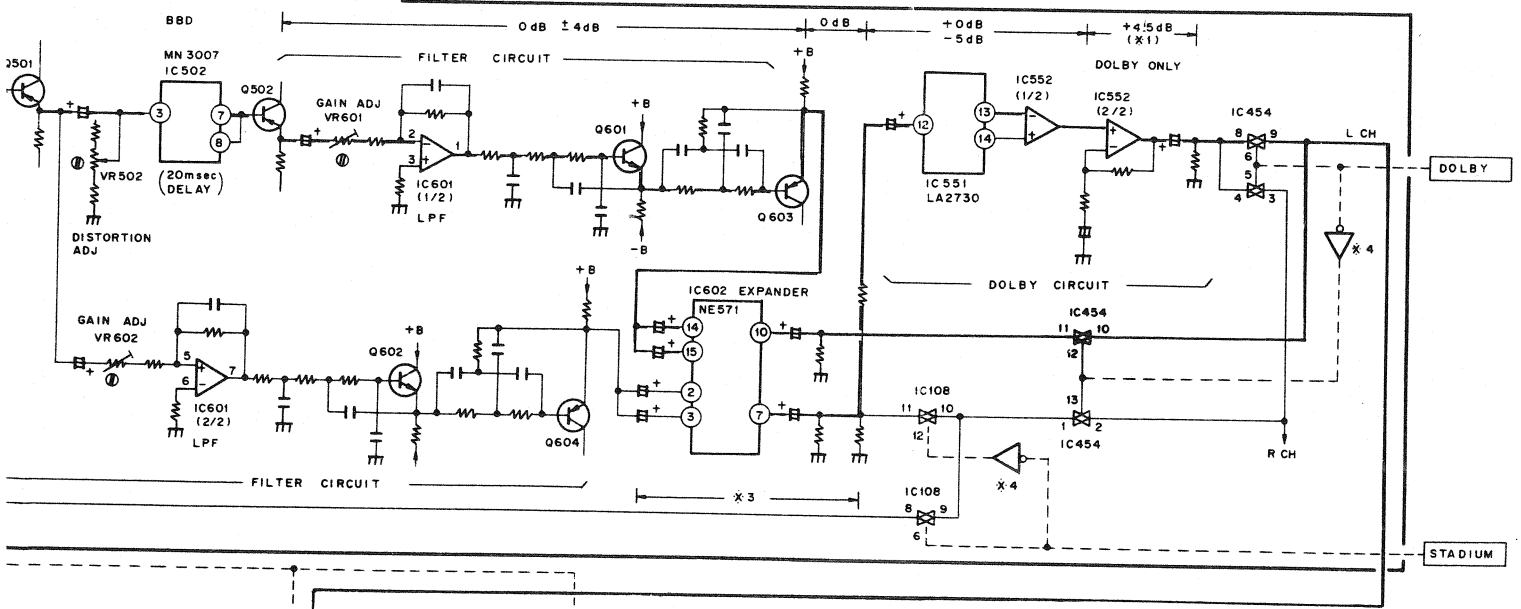
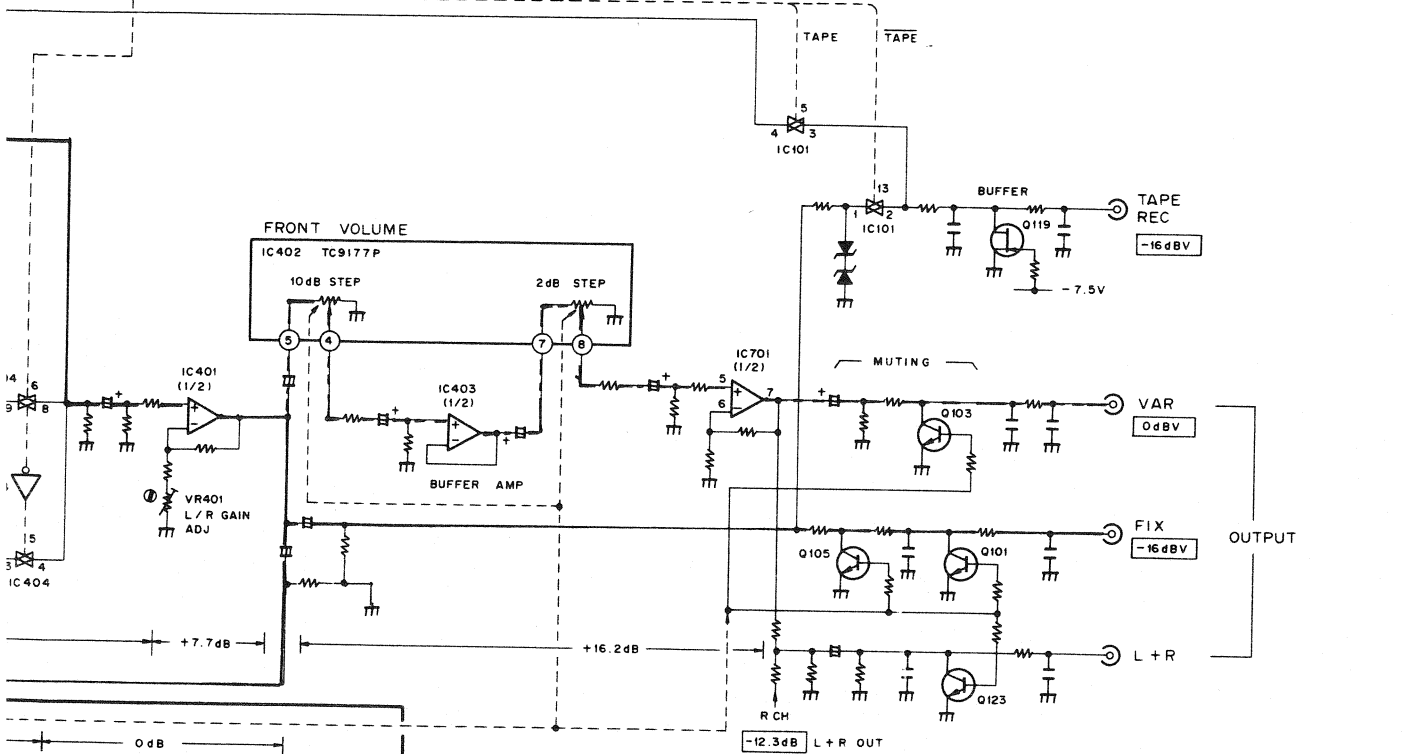
7. BLOCK DIAGRAM

A
B
C
D

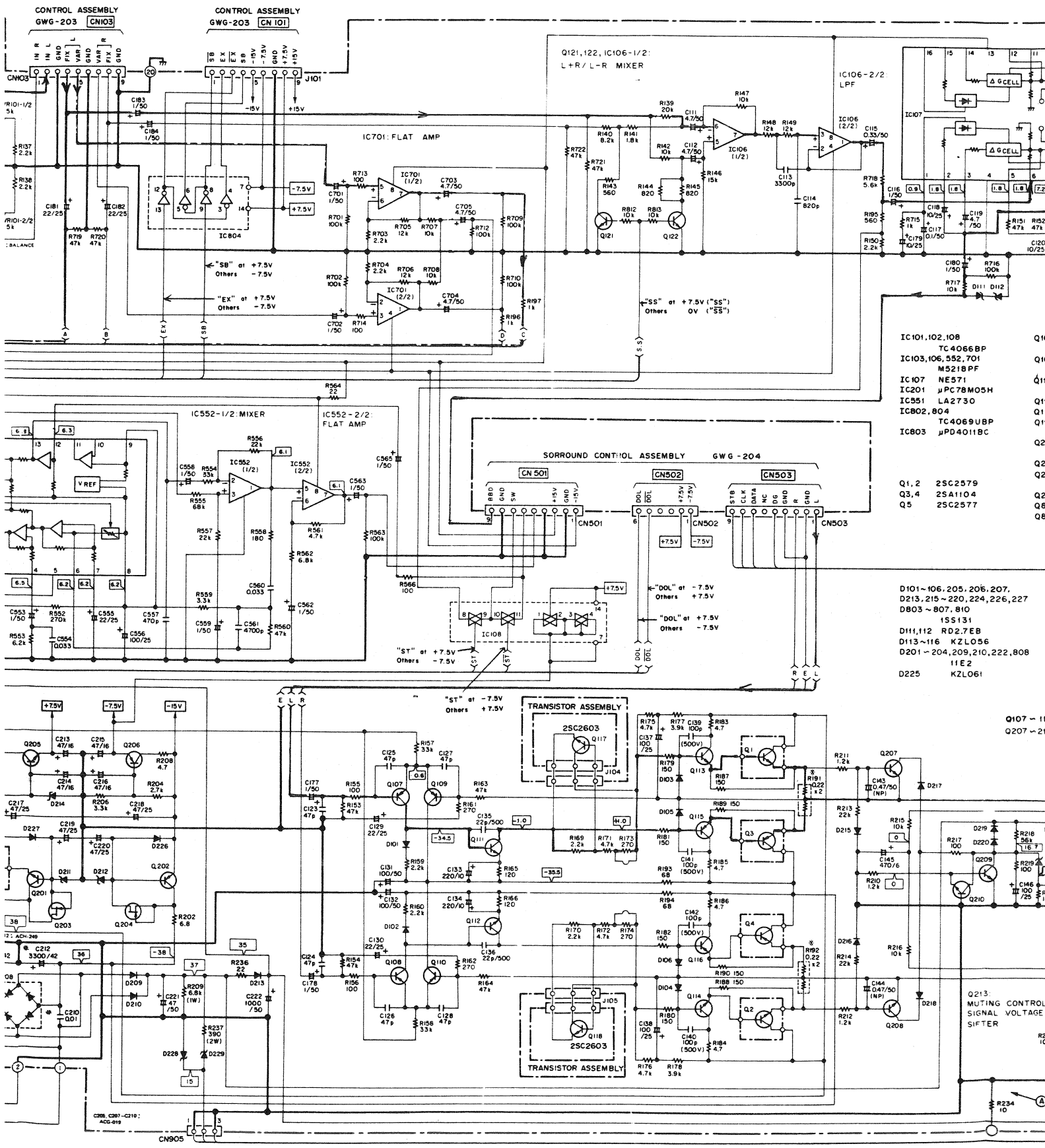


- X 1 : _____
- X 2 : $G = 1/2 (dBm) dB$
- X 3 : $G = (dBm) dB$
- 0dBm = -2.22dBV
- X 4 : TC4069UBP

DER SUPER BASS



THEATER



- IC101,102,108 TC4066BP
- IC103,106,552,701 M5218PF
- IC107 NE571
- IC201 μPC78M05H
- IC551 LA2730
- IC802,804 TC4069UBP
- IC803 μPD4011BC

- Q1,2 2SC2579
- Q3,4 2SA1104
- Q5 2SC2577

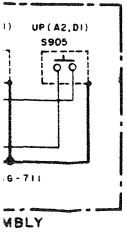
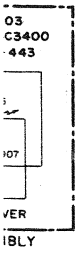
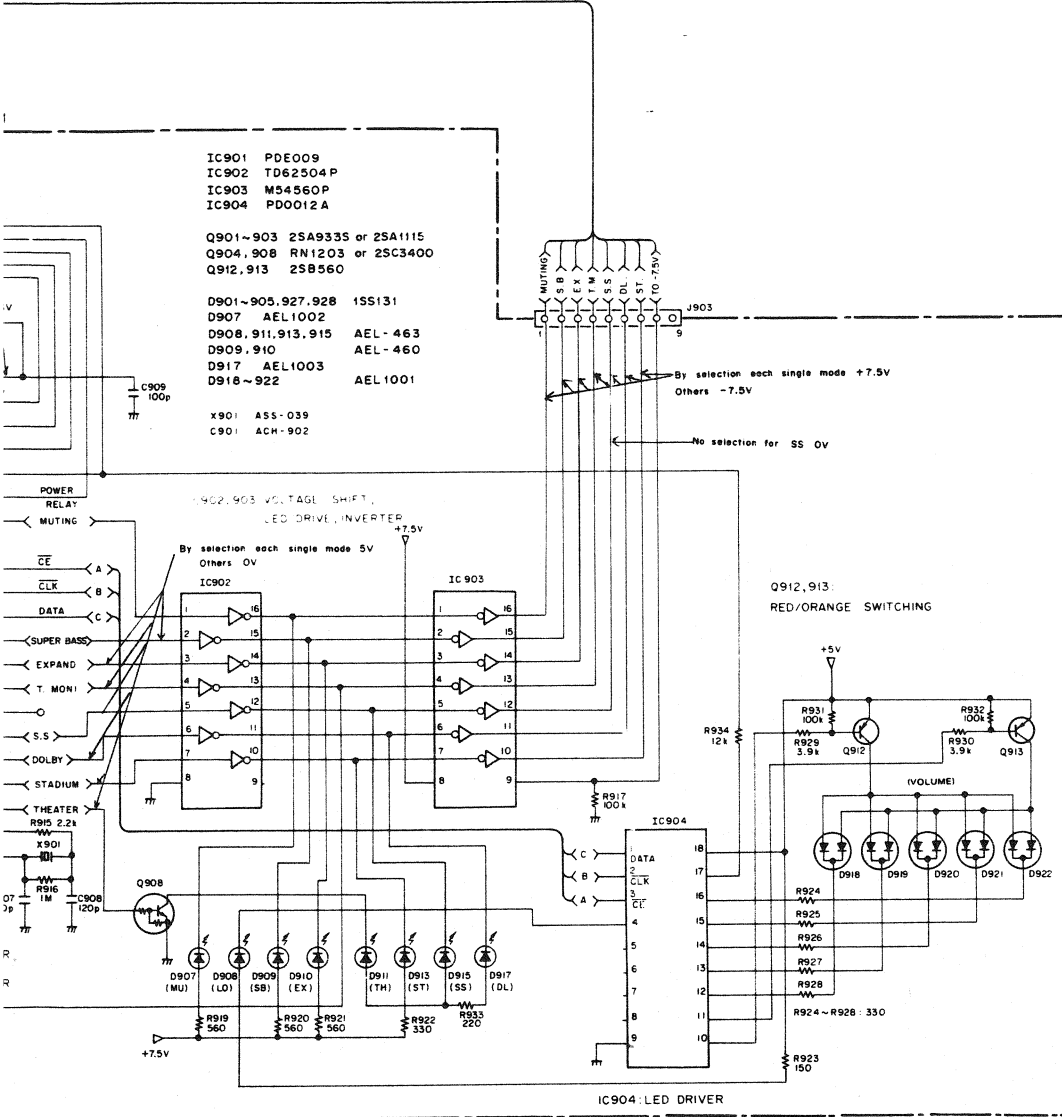
- D101~106,205,206,207, D213,215~220,224,226,227 D803~807,810 1S5131
- D111,112 RD2.7EB
- D113~116 KZLO56
- D201~204,209,210,222,808 11E2
- D225 KZL061

- Q107~110 Q207~210

Q213: MUTING CONTROL SIGNAL VOLTAGE SIFTER

NOTE:

The indicated semiconductors are representative ones only. Other alternative semiconductors may be used and are listed in the parts list.



- RESISTORS**
 Indicated in D, W, 1/4W, 1/2W, 1W, 5% tolerance unless otherwise noted k: kΩ, M: MΩ, (F): ±1%, (G): ±2%, (K): ±10%, (M): ±20% tolerance
- CAPACITORS**
 Indicated in capacity (pF)/voltage (V) unless otherwise noted p: pF
 Indication without voltage is 50V except electrolytic capacitor.
- VOLTAGE, CURRENT:**
 [Symbol] Signal voltage at (W + W B1)/output (1kHz)
 [Symbol] DC voltage (V) at no input signal
 Value in () is DC voltage at rated power.
 [Symbol] mA DC current at no input signal
- OTHERS**
 [Symbol] Signal route
 [Symbol] Adjusting point
 The 1 mark found on some component parts indicates the importance of the safety factor of the part. Therefore, when replacing, be sure to use parts of identical designation.
 * marked capacitors and resistors have parts numbers.

- SWITCHES**
- PIN JACK ASSEMBLY**
 S801: REMOTE ON - OFF
- POWER SW ASSEMBLY**
 S901: TAPE MONITOR (A1, D0) ON - OFF
 S902: POWER (A1, D1) ON - OFF
- VR SW ASSEMBLY**
 S903: DN (A2, D0) ON - OFF
 S904: MUTING (AC, D1) ON - OFF
 S905: UP (A2, D1) ON - OFF
- OTHERS**
 S1: POWER ON - OFF

The underlined indicates the switch position.

This is the basic schematic diagram, but the actual circuit may vary due to improvements in design.

SIGNAL ROUTE: THEATER SWITCH ON-OFF
 EXPAND SWITCH ON-OFF

A

B

C

D

A

B

C

D

