

# CIRCUIT DIAGRAMS

## VOL.3



### **FOR PIONEER AUDIO EQUIPMENTS**

Including

AM/FM STEREO RECEIVER,  
MW/SW/FM STEREO RECEIVER,  
QUADRAPHONIC RECEIVER,  
LW/MW/FM STEREO RECEIVER,  
FM STEREO RECEIVER, and  
AM RECEIVER.

# PIONEER®

# CONTENTS

## NOTE:

*Each model comes in several versions equipped with slightly different circuits distinguished as follows:*

*For identification, see round label on rear panel*

### AM/FM STEREO RECEIVER

SX-330 .....	1
SX-440 .....	5
SX-525 .....	15
SX-626 .....	21
SX-770 .....	27
SX-990 .....	37
SX-1000TW .....	53
SX-1500TD .....	59
SX-2500 .....	69
SX-6000 .....	77
SX-9000 .....	83

### QUADRAPHONIC RECEIVER

QX-8000 .....	91
---------------	----

### SW/MW/FM STEREO RECEIVER

KX-330 .....	99
KX-333 .....	103
KX-440 .....	107
KX-444 .....	113
KX-550 .....	119
KX-555 .....	125

### LW/MW/FM STEREO RECEIVER

LX-440 .....	131
LX-440A .....	137
LX-880 .....	143

### FM STEREO RECEIVER

FX-330 .....	149
--------------	-----

### AM RECEIVER

AX-330 .....	157
--------------	-----

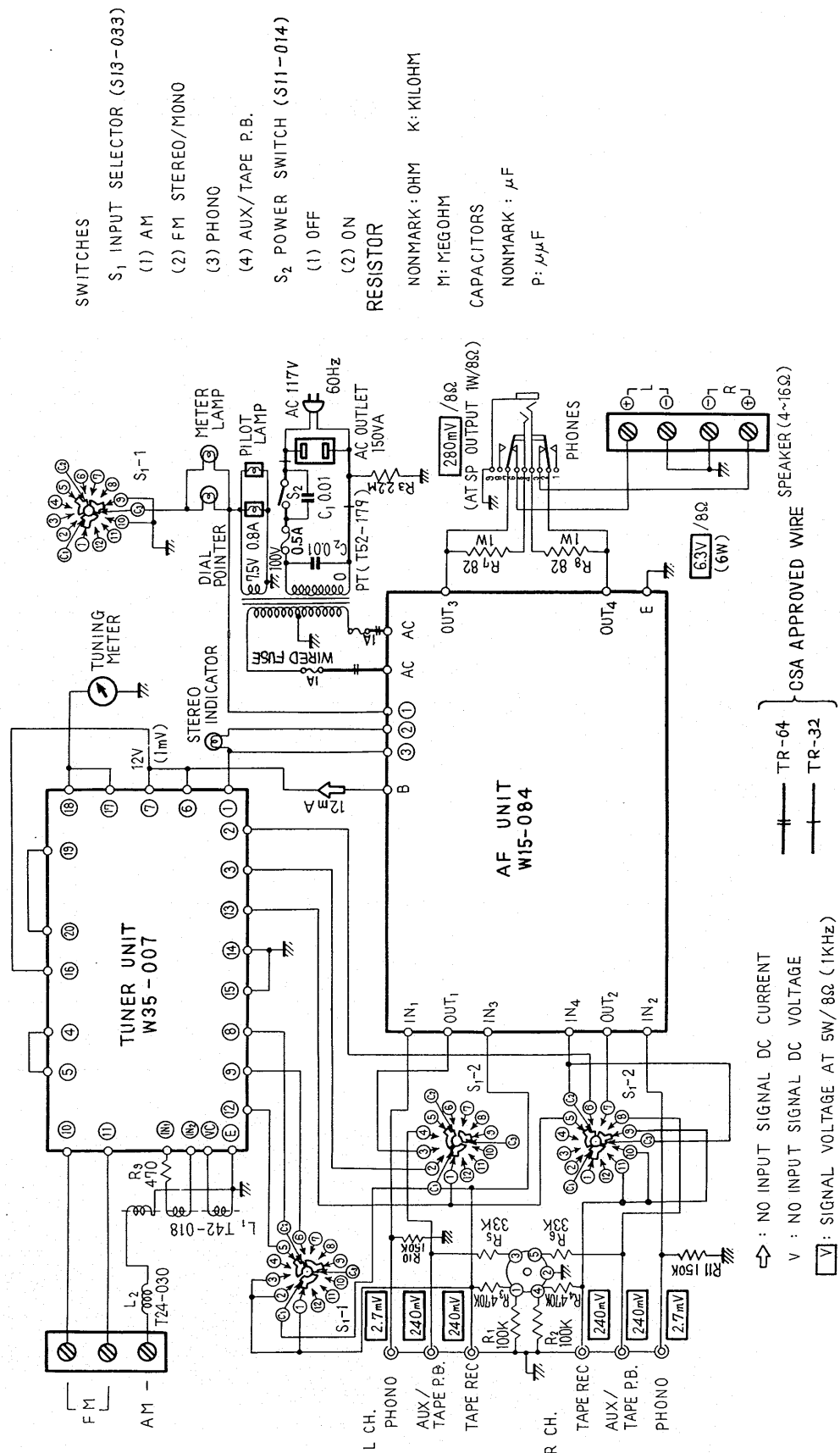
**AM/FM STEREO RECEIVER**

**SX-330**

UNIT	ROUND LABEL	KCW					
TUNER UNIT		W35-007					
FM FRONT END							
FM IF UNIT							
MPX UNIT							
AM TUNER UNIT							
MUTING UNIT							
AF UNIT		W15-084					
CONTROL AMP UNIT							
MAIN AMP UNIT							
POWER SUPPLY UNIT							
SWITCH UNIT							
SWITCH UNIT							
SWITCH UNIT							
TONE COLOR UNIT							
CONTROL UNIT							
MIC AMP UNIT							
REVERBE AMP UNIT							
REVERBE UNIT							
INDICATOR UNIT							



**SX-330/kcw**



**SWITCHES**

- S<sub>1</sub> INPUT SELECTOR (S13-033)
  - (1) AM
  - (2) FM STEREO/MONO
  - (3) PHONO
  - (4) AUX./TAPE P.B.

**S<sub>2</sub> POWER SWITCH (S11-014)**

- (1) OFF
- (2) ON

**RESISTOR**

NONMARK: OHM K: KILOHM

M: MEGOHM

**CAPACITORS**

NONMARK: μF

P: μμF

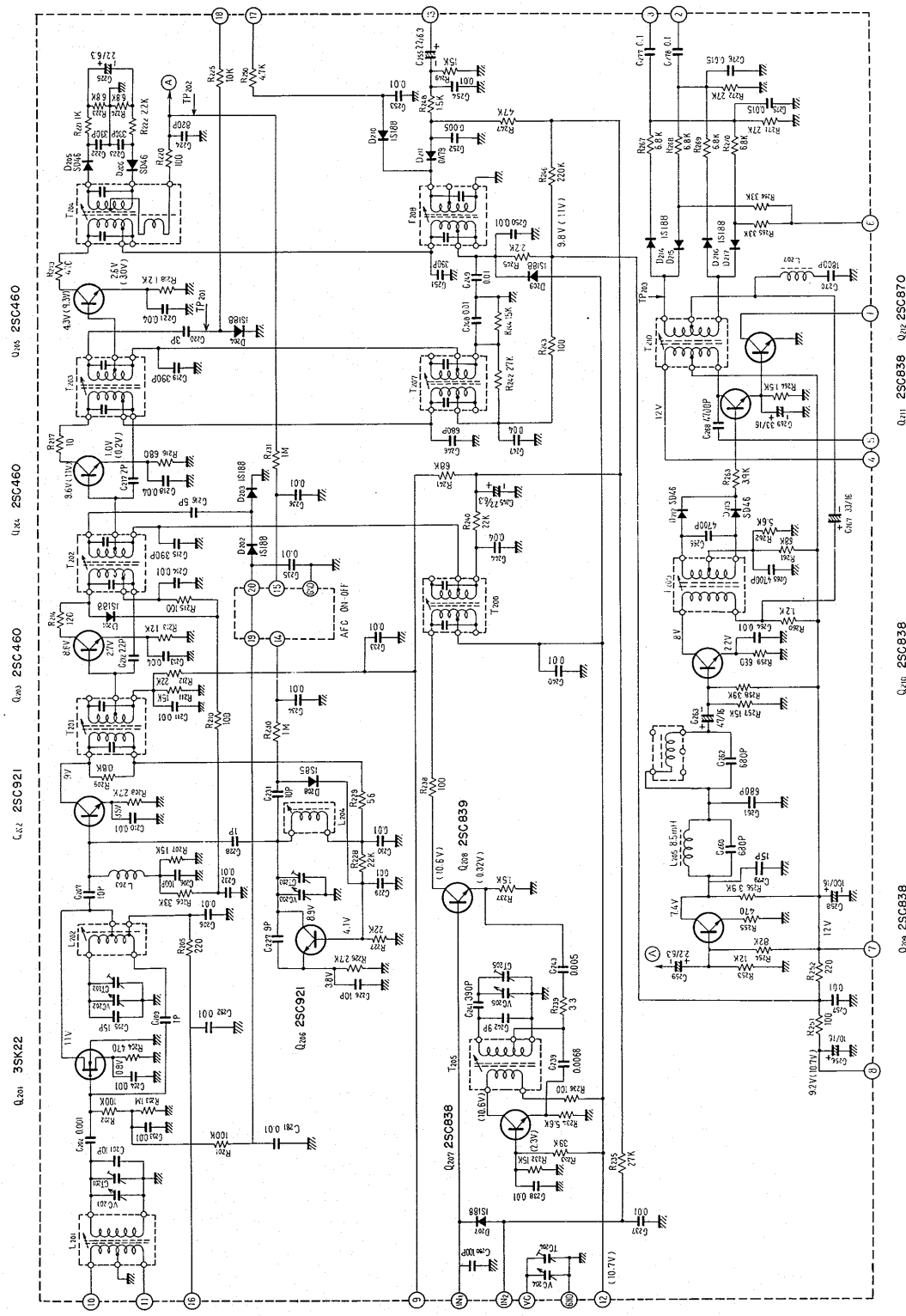
↗ : NO INPUT SIGNAL DC CURRENT  
 V : NO INPUT SIGNAL DC VOLTAGE  
 □ V : SIGNAL VOLTAGE AT 5W/8Ω (1kHz)

——— TR-64  
 ——— TR-32

CSA APPROVED WIRE SPEAKER (4~16Ω)

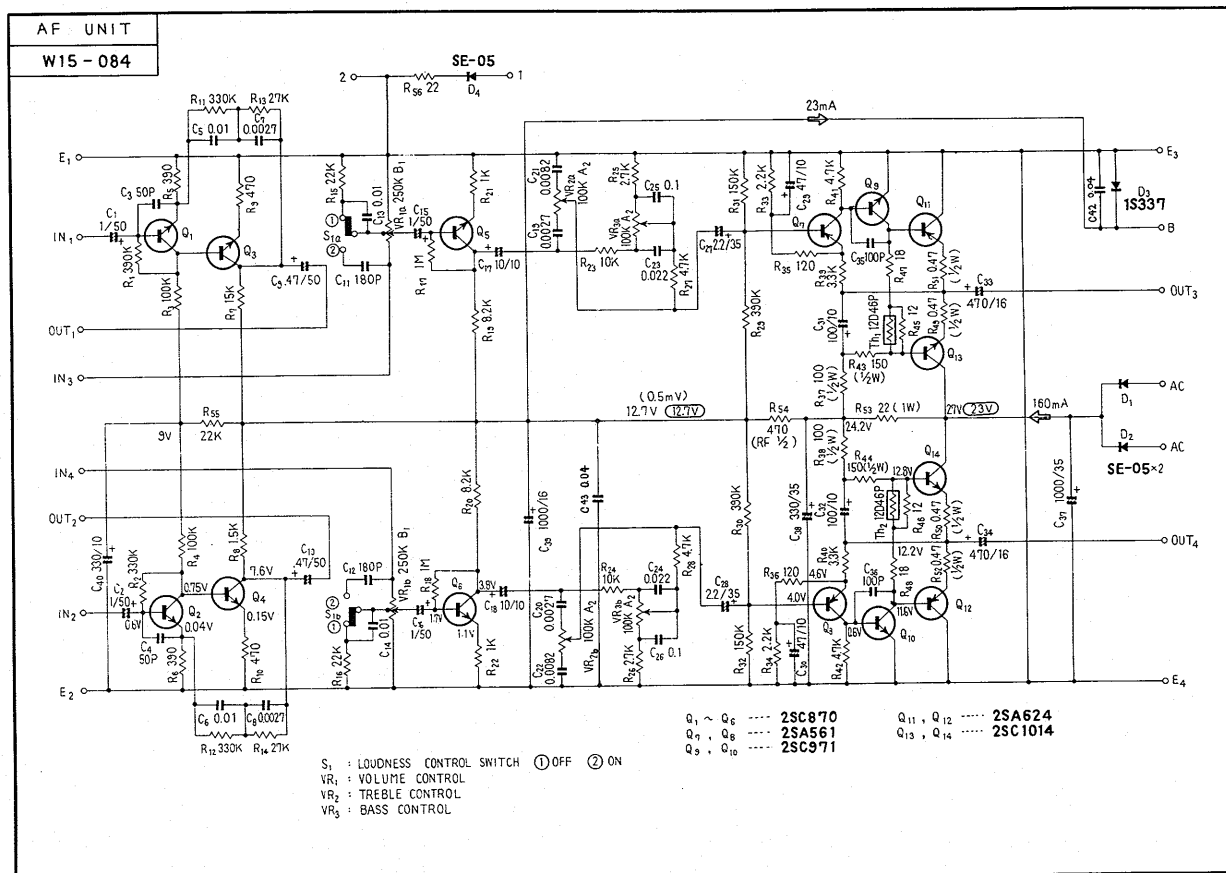
TUNER UNIT

TUNER UNIT  
W 35 - 007



V : DC VOLTAGE (FM)  
( V ) : DC VOLTAGE (AM)

# AF UNIT



## AM/FM STEREO RECEIVER SX-440

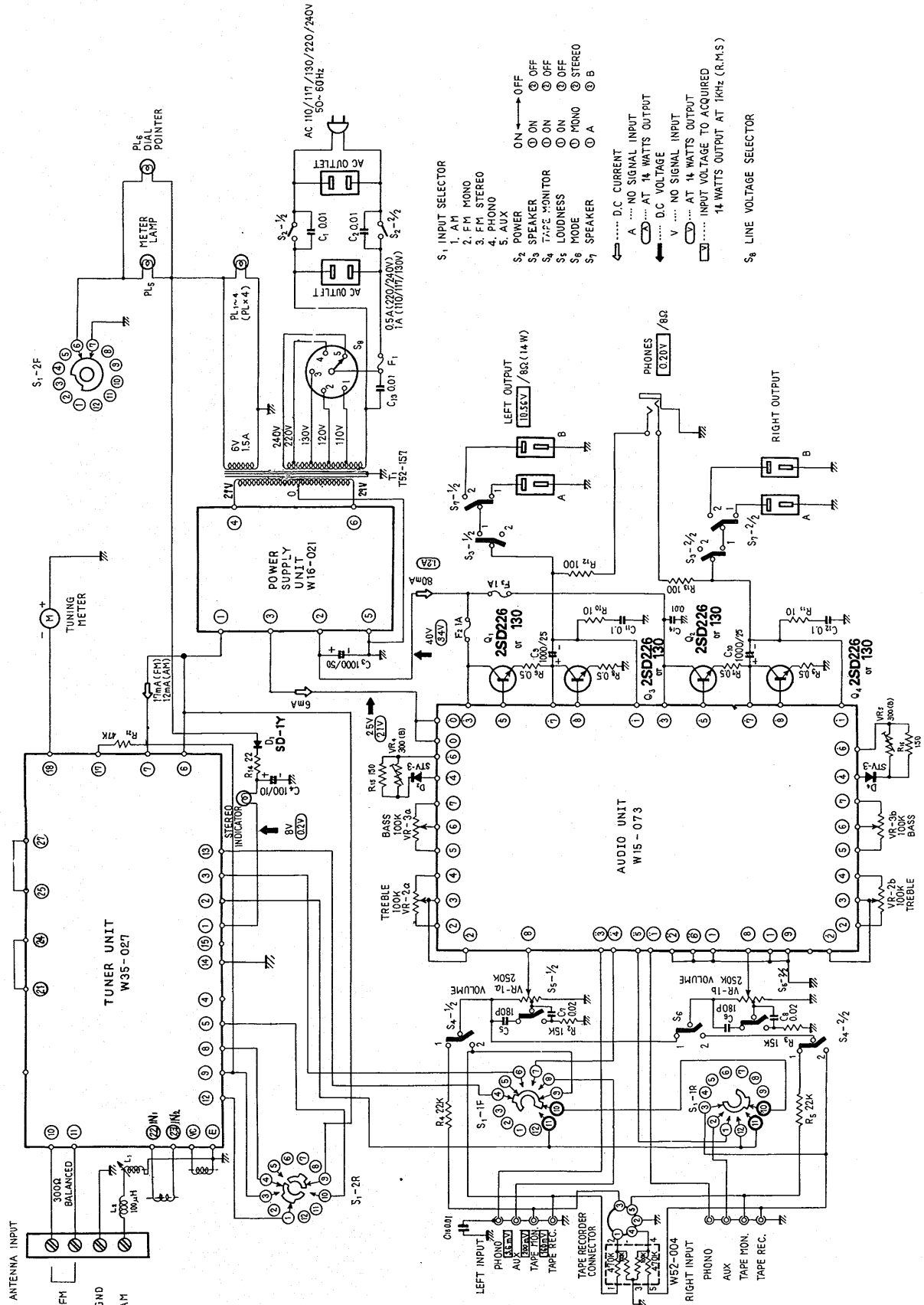
UNIT \ ROUND LABEL	KCLW	FVW	FVZW	NBW		
TUNER UNIT	W35-027	W35-027	AWE-004	W35-022		
FM FRONT END						
FM IF UNIT						
MPX UNIT						
AM TUNER UNIT						
MUTING UNIT						
AUDIO UNIT	W15-073	W15-073	W15-073	W36-011		
CONTROL AMP UNIT						
MAIN AMP UNIT						
POWER SUPPLY UNIT	W16-021	W16-021	W16-021	W16-063		
SWITCH UNIT						
SWITCH UNIT						
SWITCH UNIT						
TONE COLOR UNIT						
CONTROL UNIT						
MIC AMP UNIT						
REVERBE AMP UNIT						
REVERBE UNIT						



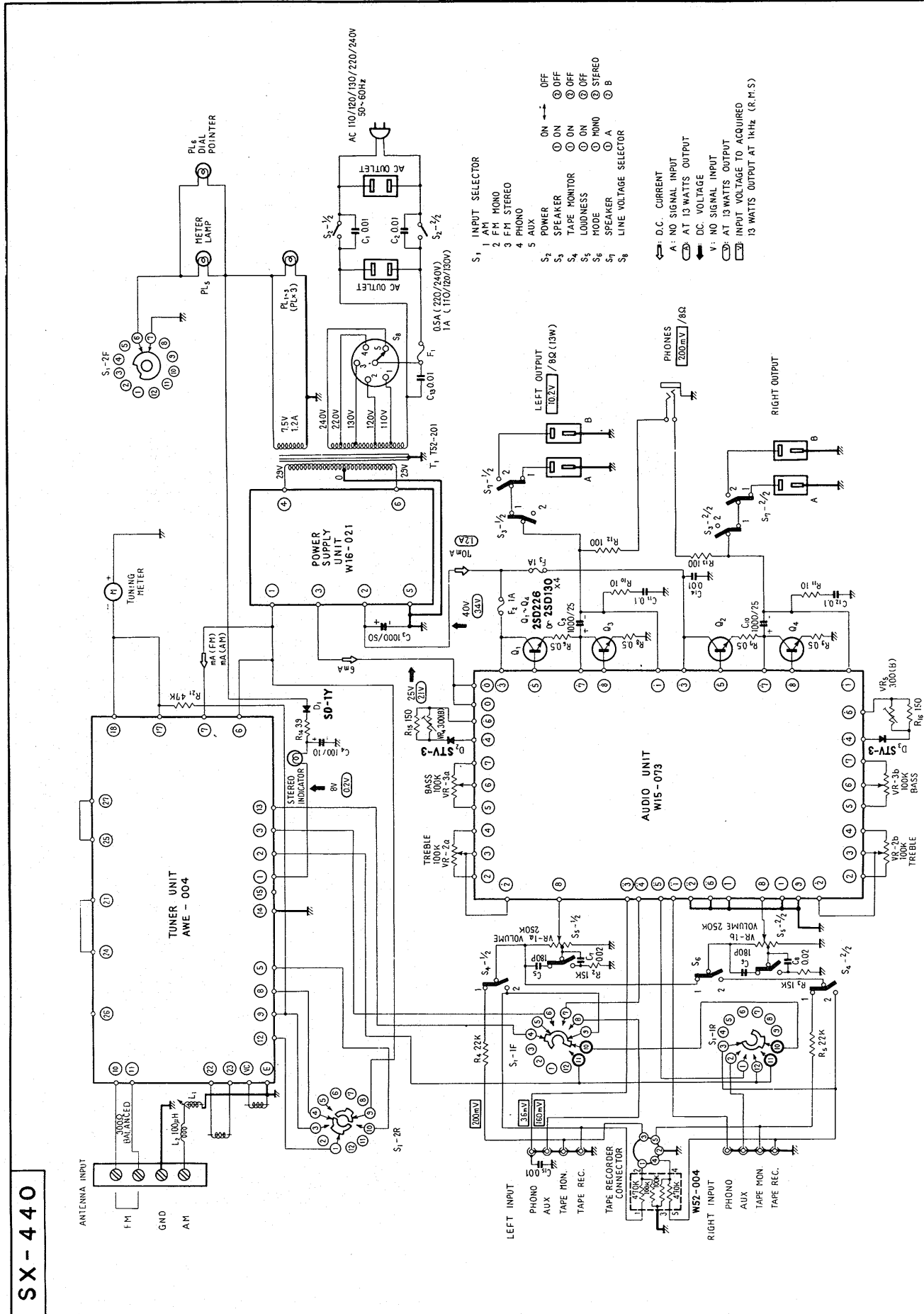




**SX-440**



SX-440 for FVZW model

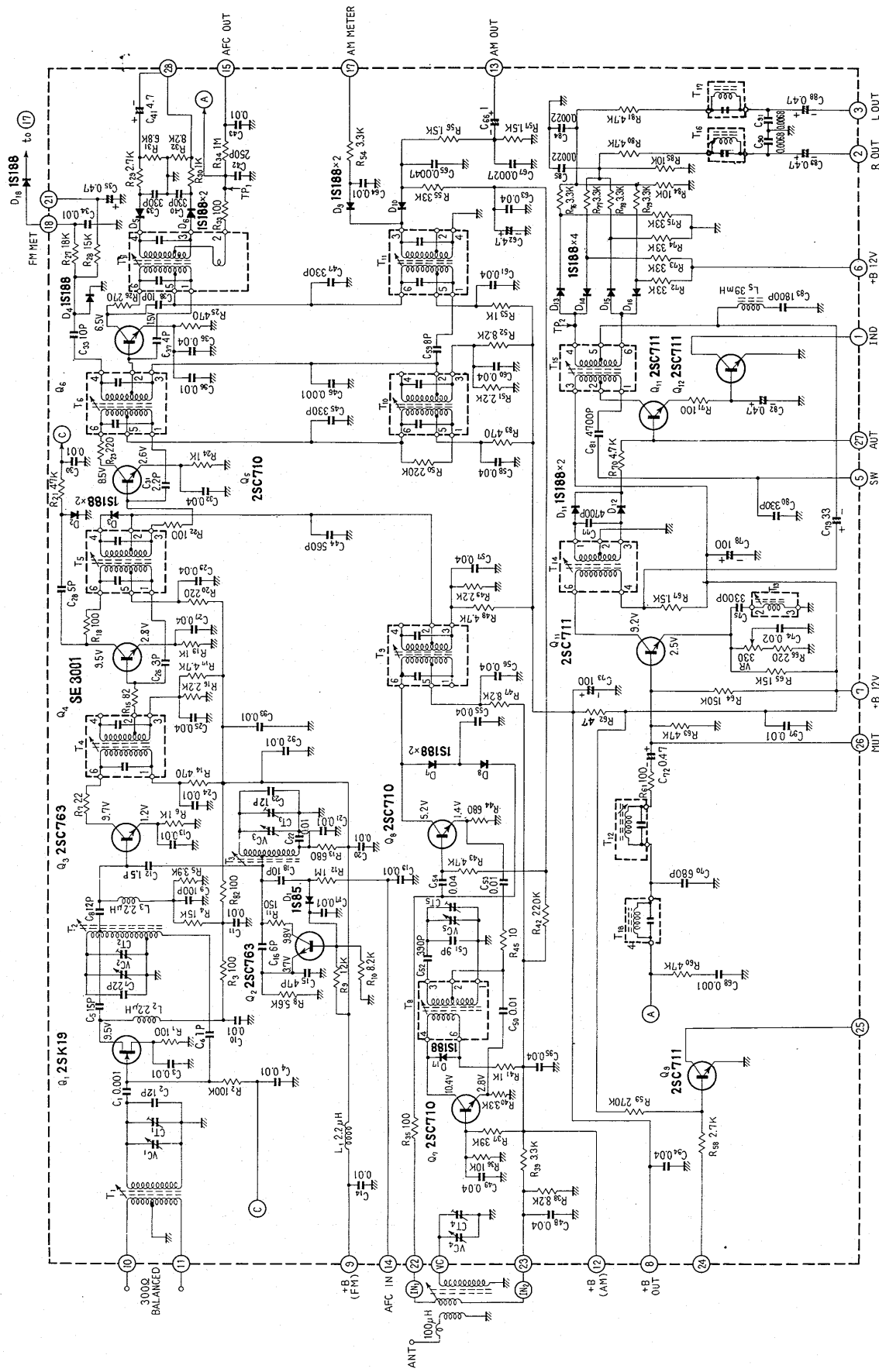


SX-440

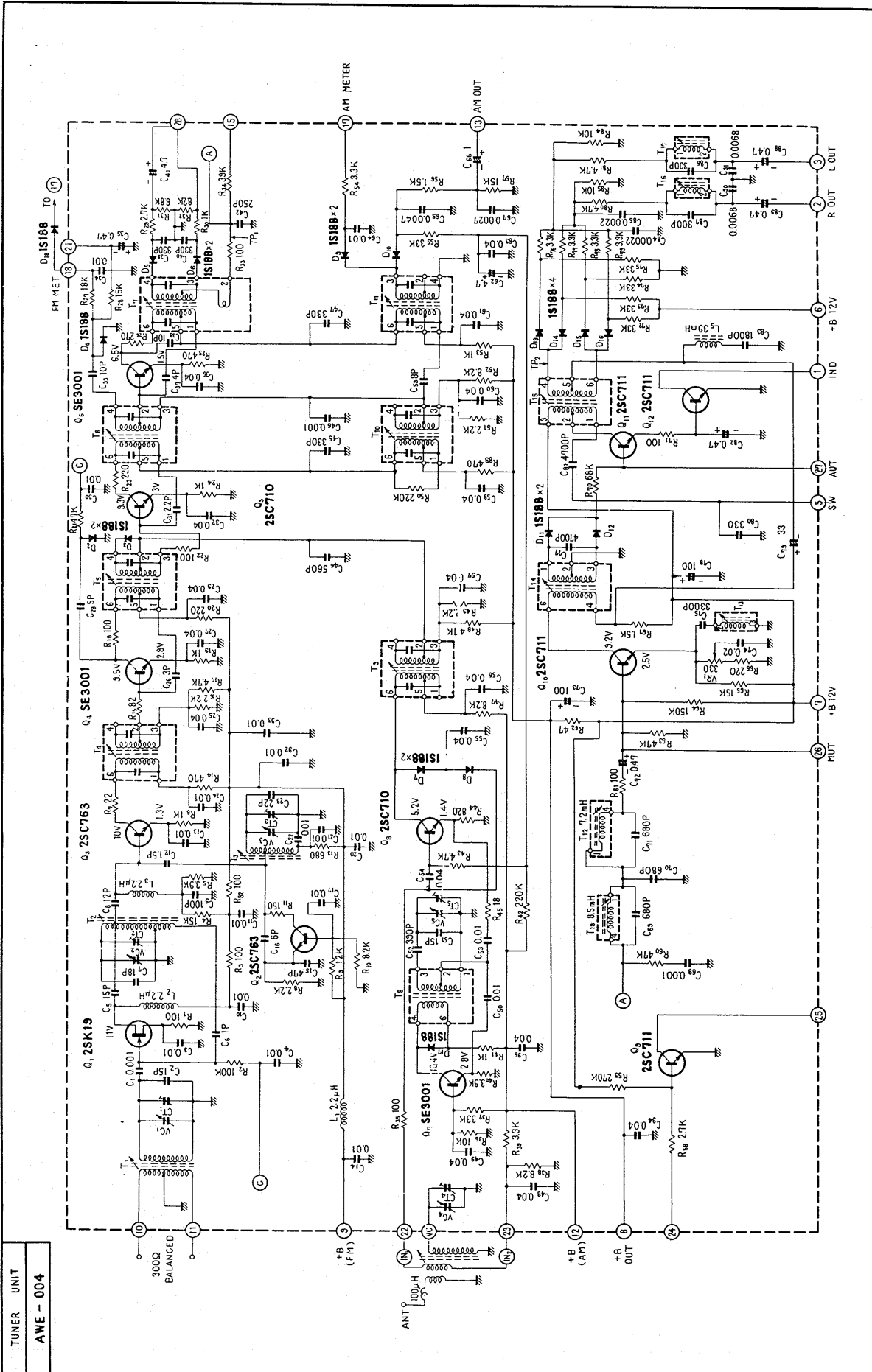


# TUNER UNIT

TUNER UNIT  
W35-027



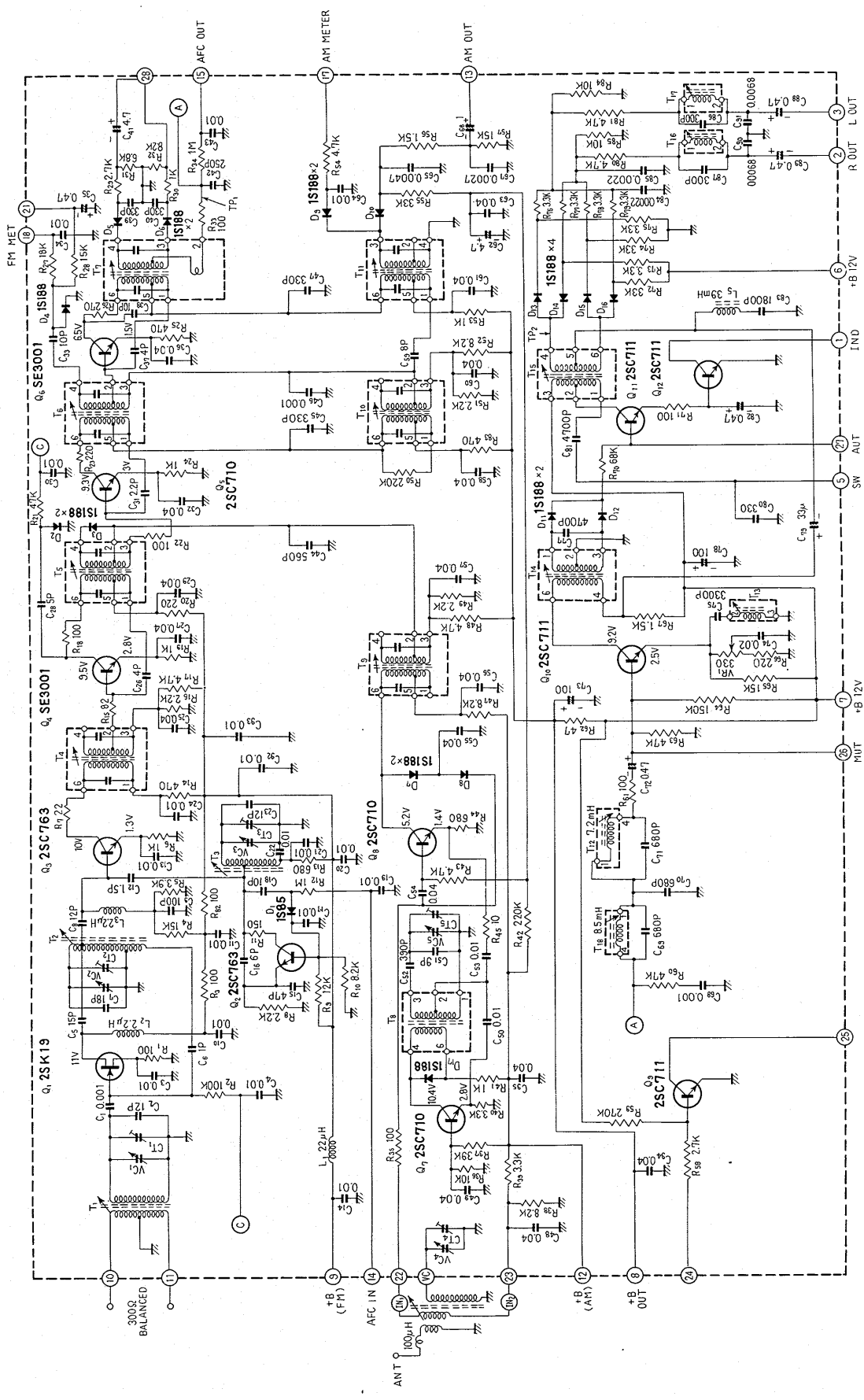
TUNER UNIT for FVZW model



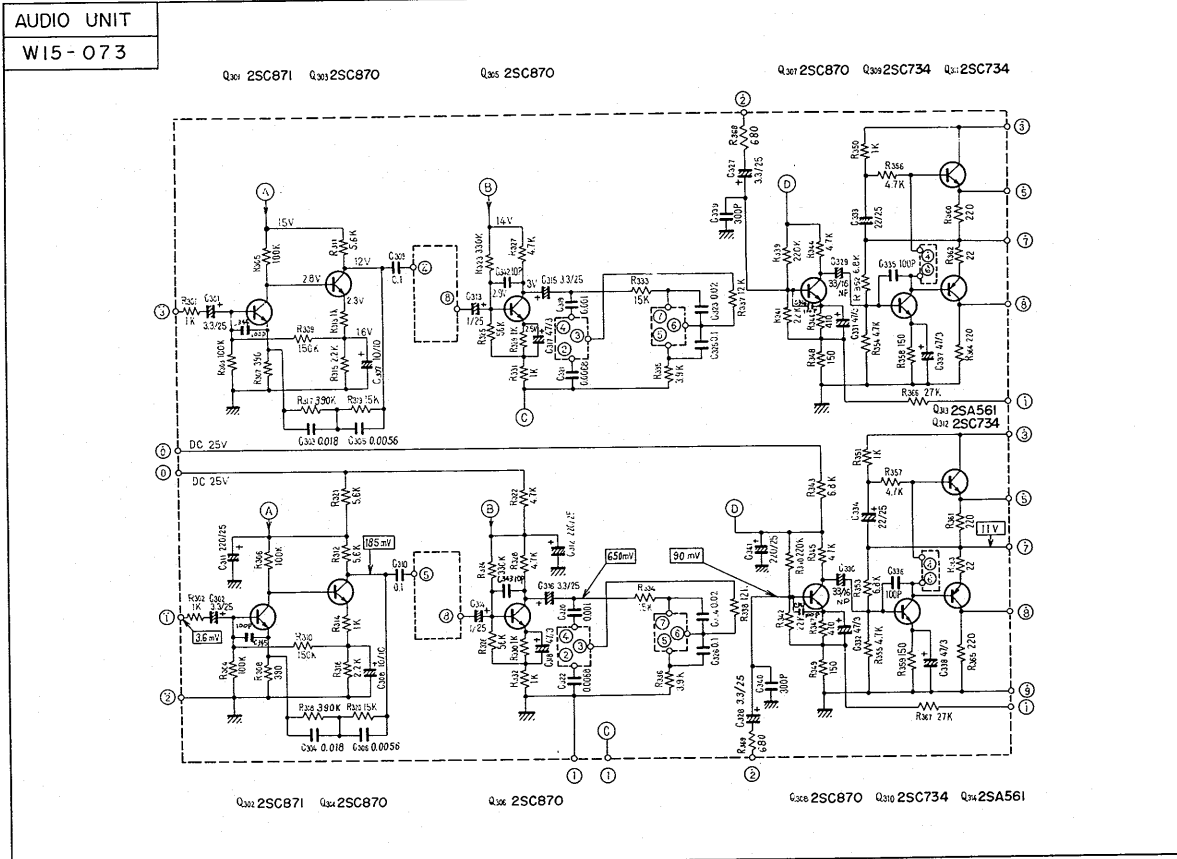
TUNER UNIT  
AWE - 004

# TUNER UNIT for NBW model

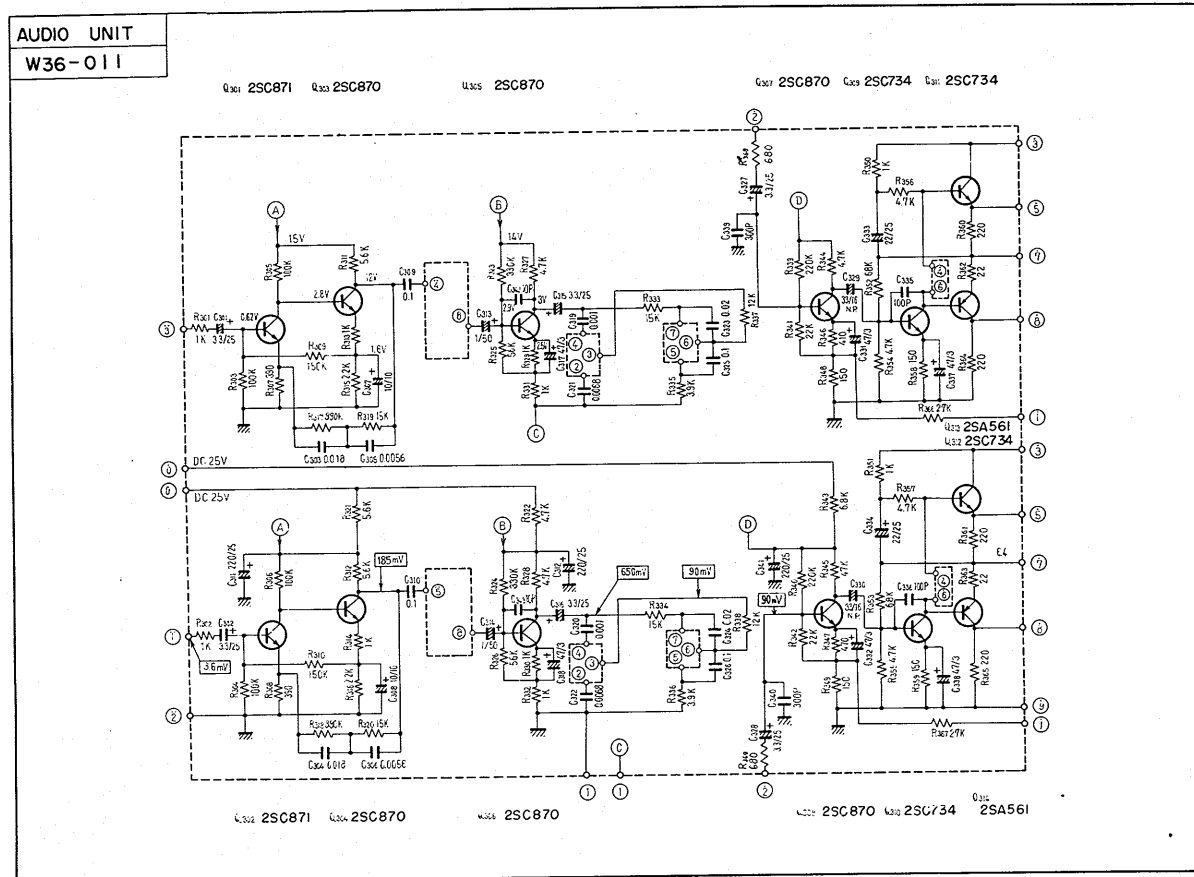
TUNER UNIT  
W35-022



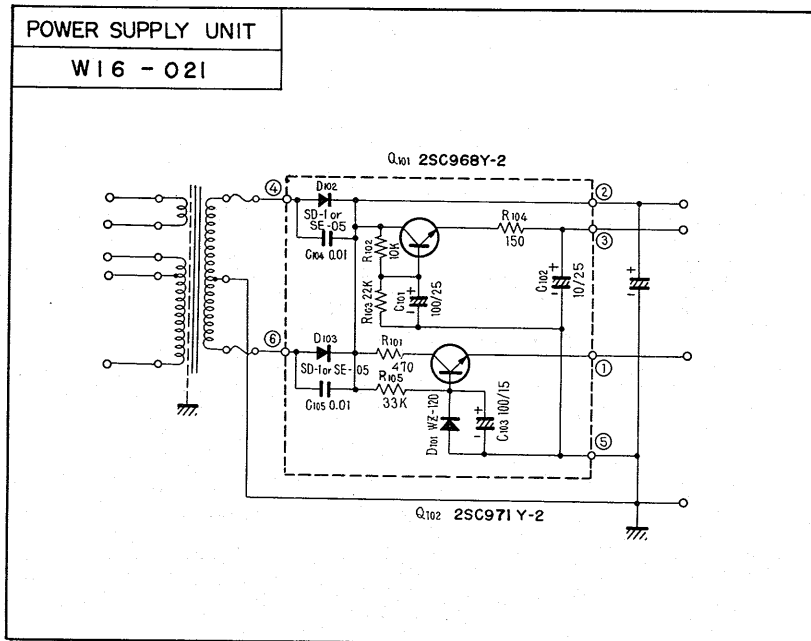
AUDIO UNIT



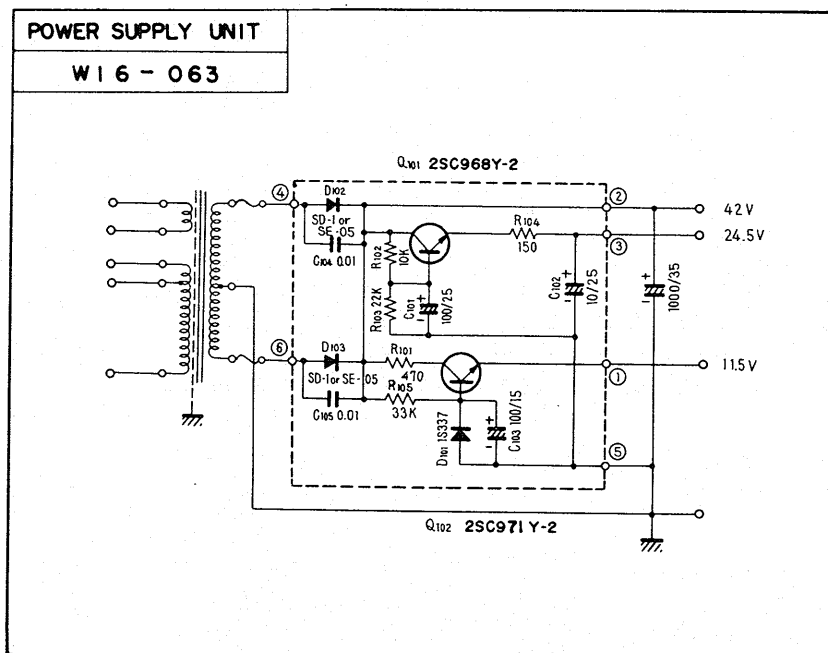
AUDIO UNIT for FBW model



# POWER SUPPLY UNIT



# POWER SUPPLY UNIT for NBW model





**AM/FM STEREO RECEIVER**

**SX-525**

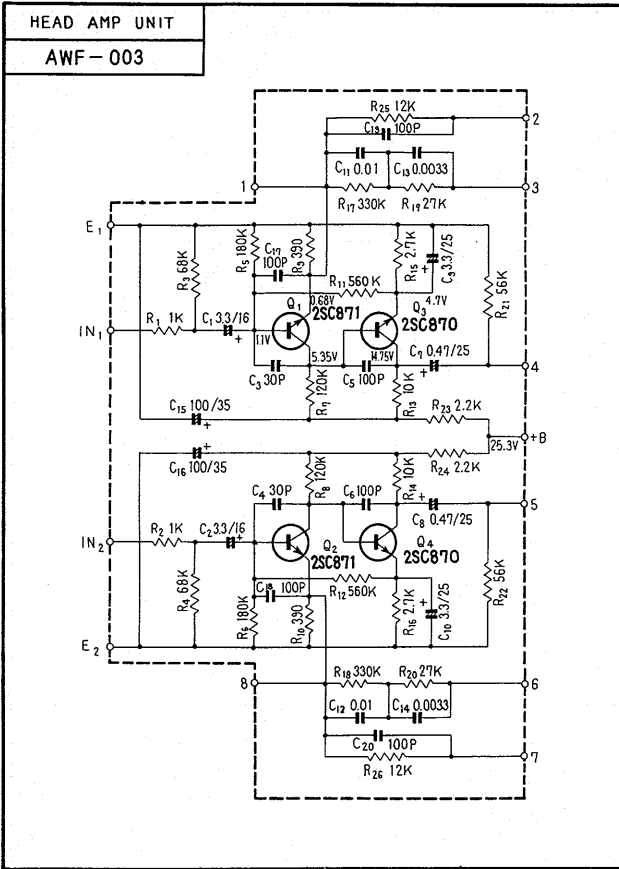
UNIT \ ROUND LABEL	FVZW	KW				
TUNER UNIT	AWE-003	AWE-003				
FM FRONT END						
FM IF UNIT						
MPX UNIT						
AM TUNER UNIT						
MUTING UNIT						
HEAD AMP UNIT	AWF-003	AWF-003				
CONTROL AMP UNIT	AWG-011	AWG-011				
MAIN AMP UNIT	AWH-006	AWH-006				
POWER SUPPLY UNIT	AWR-007	AWR-007				
SWITCH UNIT	AWS-015	AWS-015				
LAMP UNIT	AWX-010	AWX-010				
CR UNIT	AWX-013	AWX-012				
TONE COLOR UNIT						
CONTROL UNIT						
MIC AMP UNIT						
REVERBE AMP UNIT						
REVERBE UNIT						



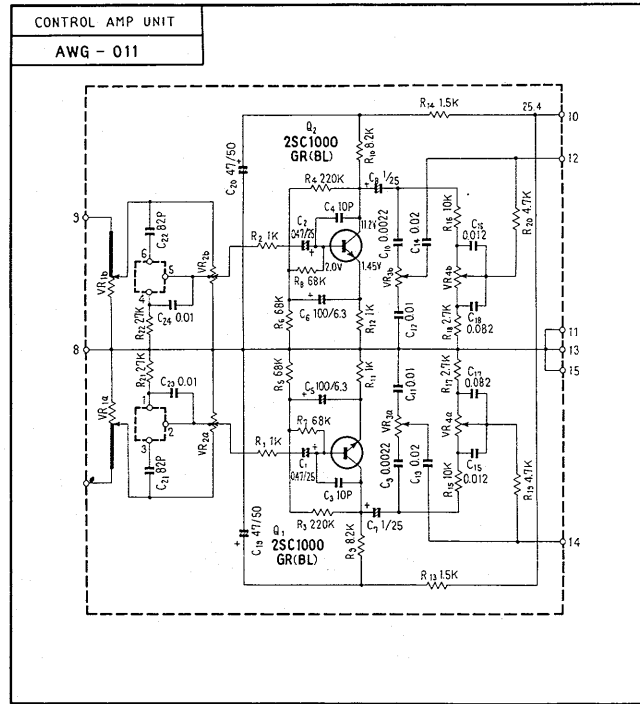




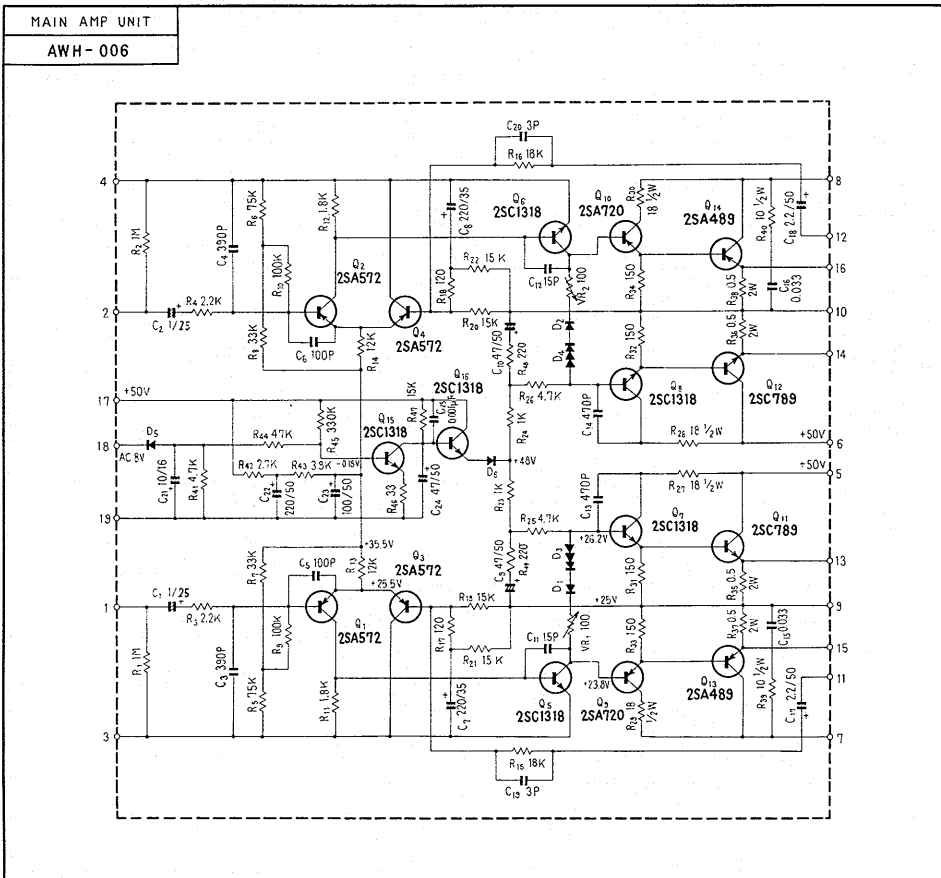
# HEAD AMP UNIT



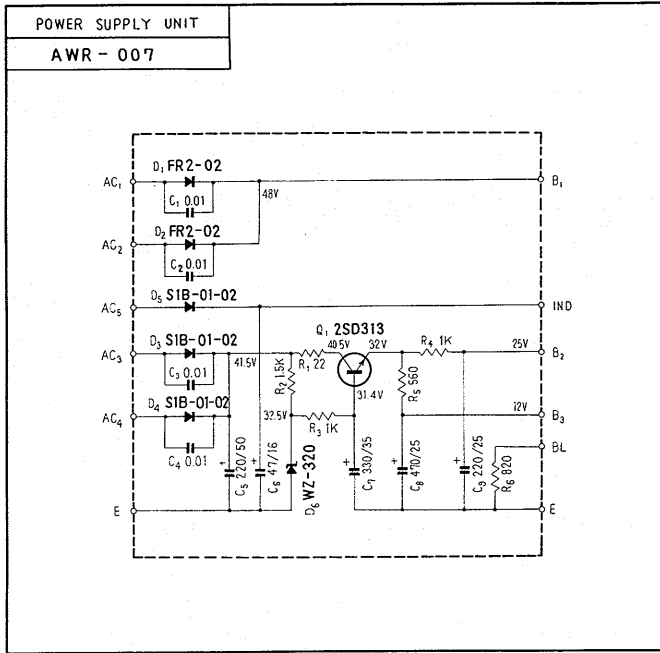
# CONTROL AMP UNIT



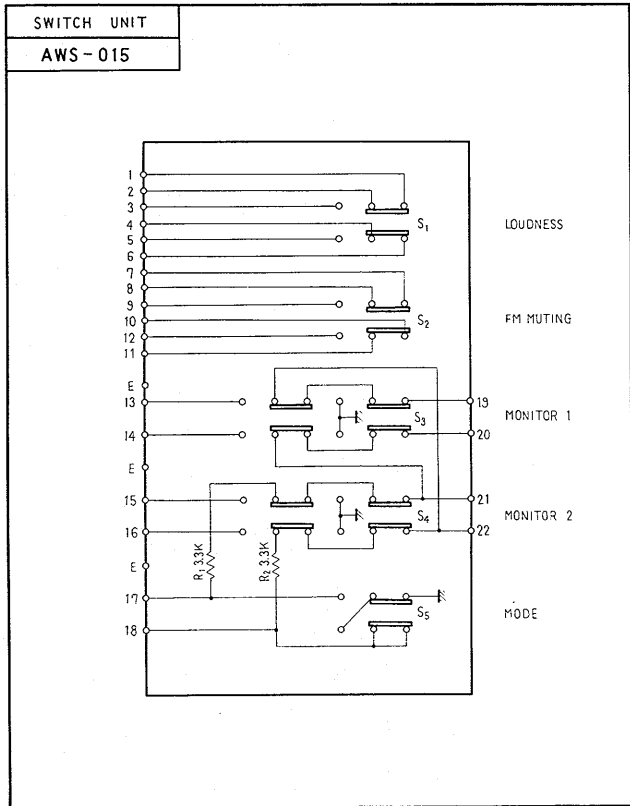
# MAIN AMP UNIT



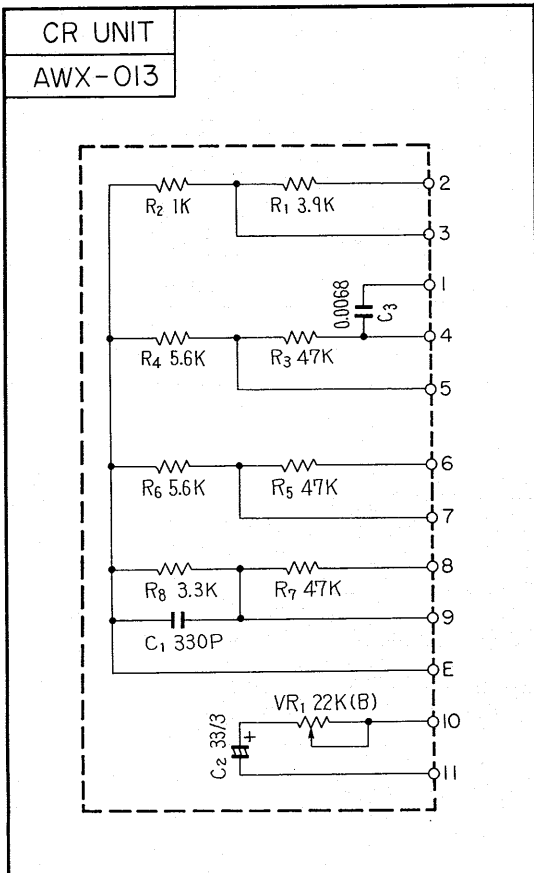
POWER SUPPLY UNIT



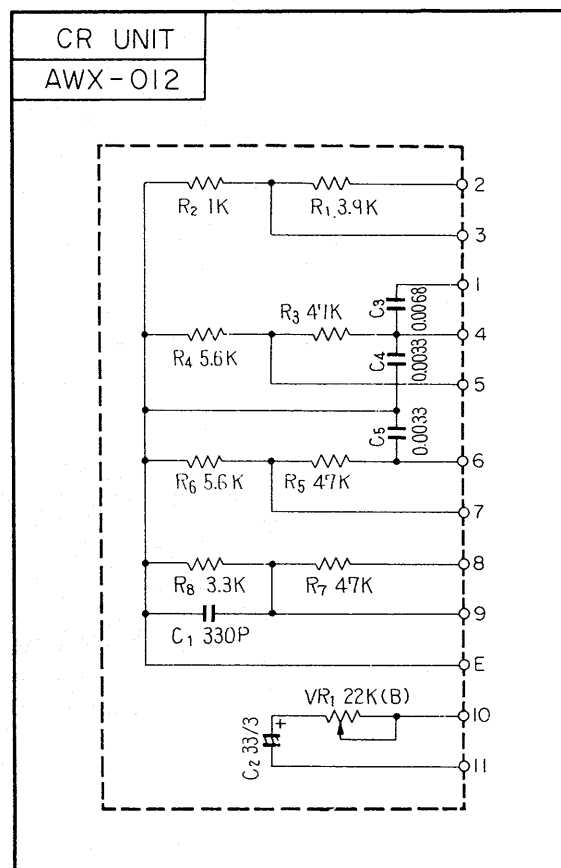
SWITCH UNIT



CR UNIT



CR UNIT for KW model



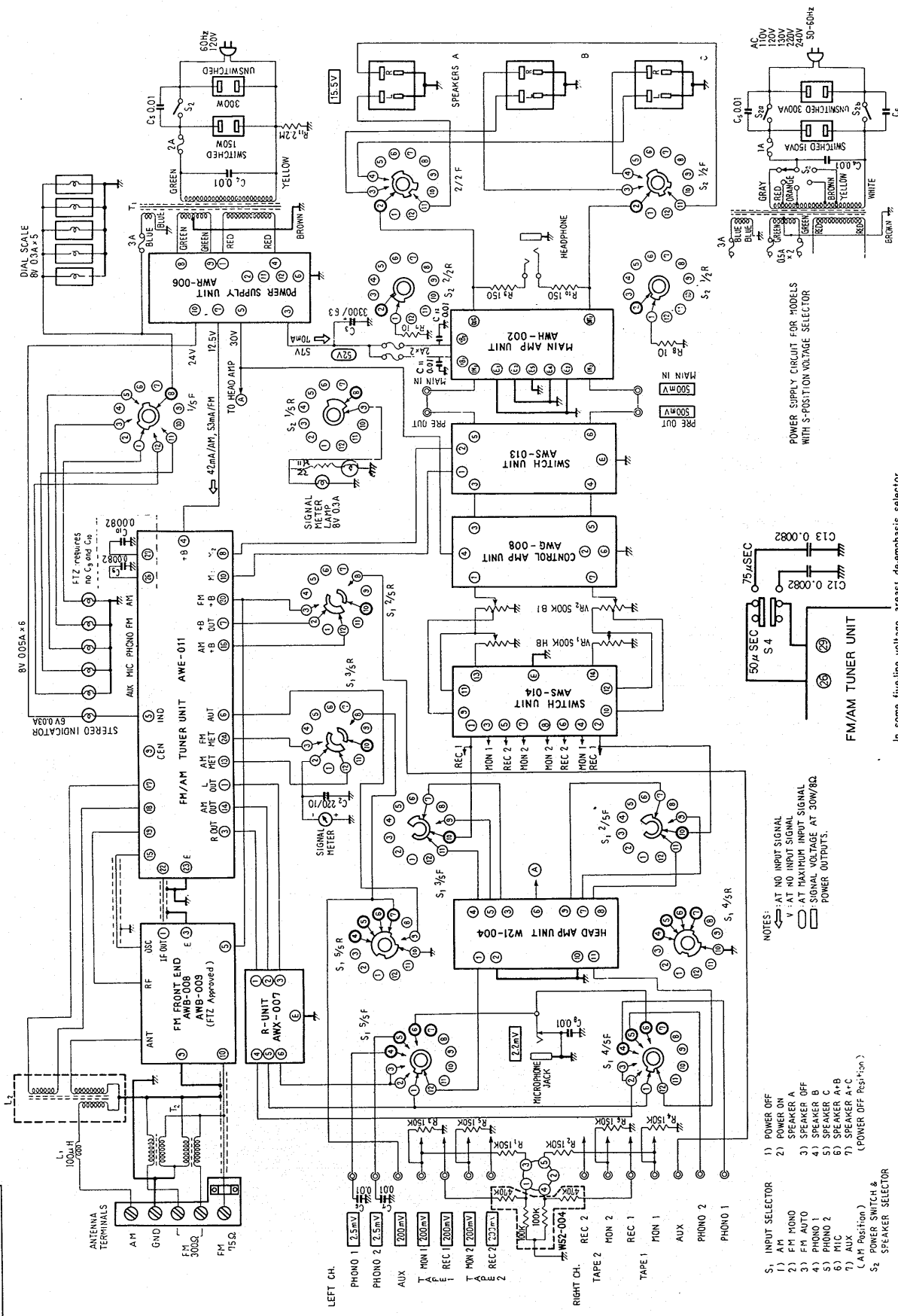
**AM/FM STEREO RECEIVER**

**SX-626**

UNIT \ ROUND LABEL	FVZW	KW				
FM FRONT END	AWB-009	AWB-008				
FM/AM TUNER UNIT	AWE-011	AWE-011				
MPX UNIT						
AM TUNER UNIT						
MUTING UNIT						
HEAD AMP UNIT	W21-004	W21-004				
CONTROL AMP UNIT	AWG-008	AWG-008				
MAIN AMP UNIT	AWH-002	AWH-002				
POWER SUPPLY UNIT	AWR-006	AWR-006				
SWITCH UNIT	AWS-013	AWS-013				
SWITCH UNIT	AWS-014	AWS-014				
R UNIT	AWX-007	AWX-007				
TONE COLOR UNIT						
CONTROL UNIT						
MIC AMP UNIT						
REVERBE AMP UNIT						
REVERBE UNIT						



**SX-626**



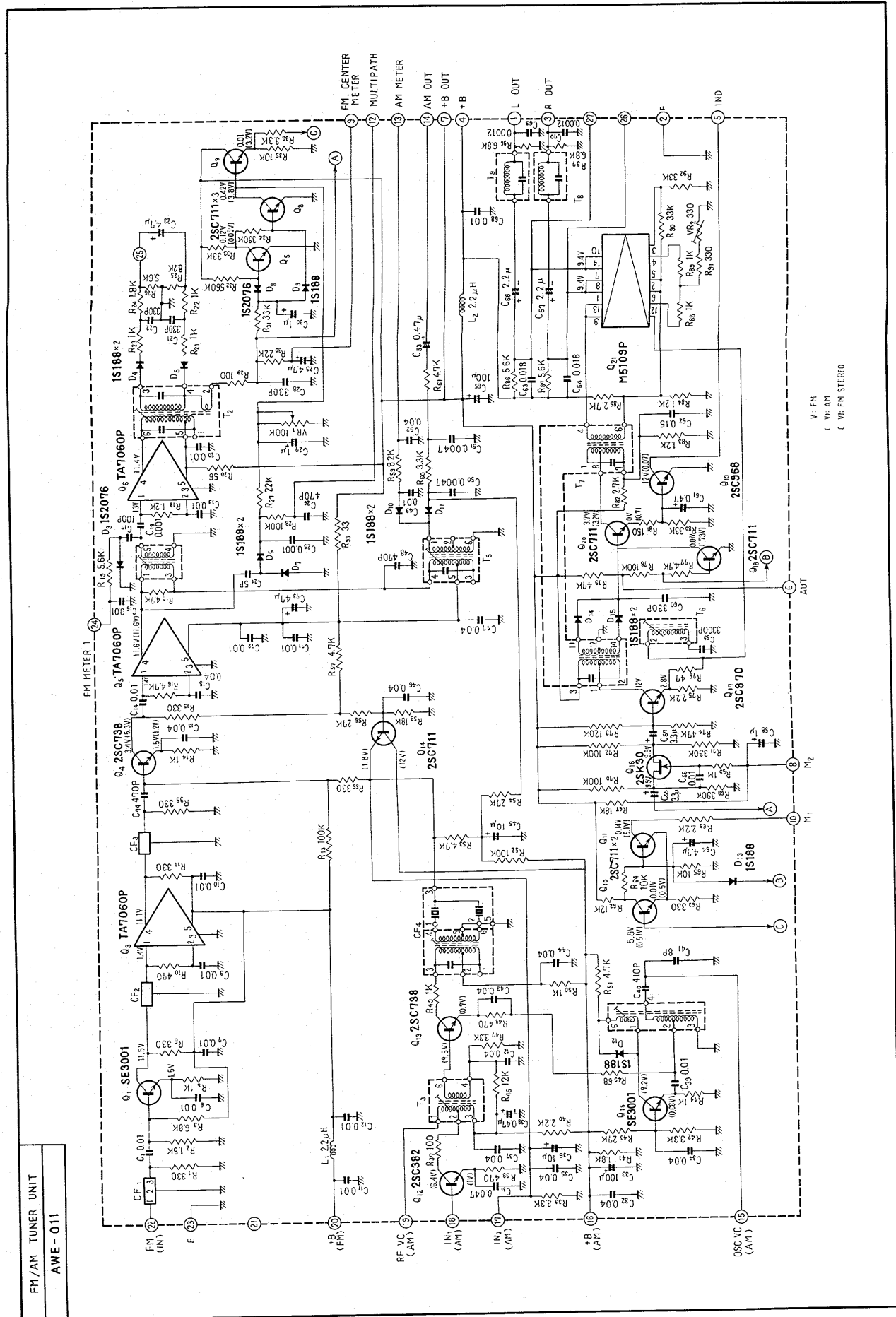
NOTES:  
 1) POWER OFF  
 2) POWER ON  
 3) SPEAKER A  
 4) SPEAKER B  
 5) SPEAKER C  
 6) MIC  
 7) SPEAKER A+C  
 (A+B Position)  
 S2: POWER SWITCH & SPEAKER SELECTOR

INPUT SELECTOR  
 1) AM  
 2) FM MONO  
 3) FM AUTO  
 4) PHONO 1  
 5) PHONO 2  
 6) MIC  
 7) AUX  
 (A+B Position)  
 S2: POWER SWITCH & SPEAKER SELECTOR

FM/AM TUNER UNIT  
 In some five-line voltage areas; de-emphasis selector switch (75µ 50µsec) is provided as the above.

POWER SUPPLY CIRCUIT FOR MODELS WITH S-POSITION VOLTAGE SELECTOR  
 WITH S-POSITION VOLTAGE SELECTOR

FM/AM TUNER UNIT

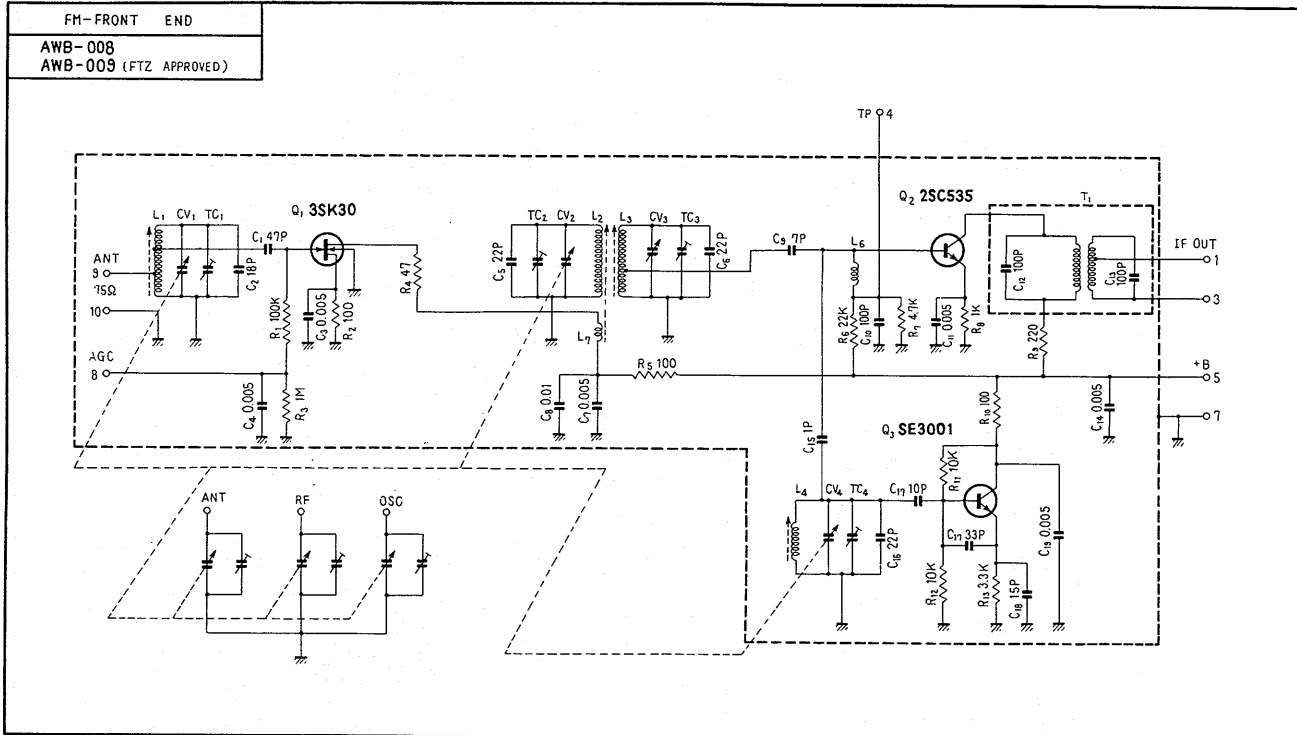


FM/AM TUNER UNIT  
AWE - 011

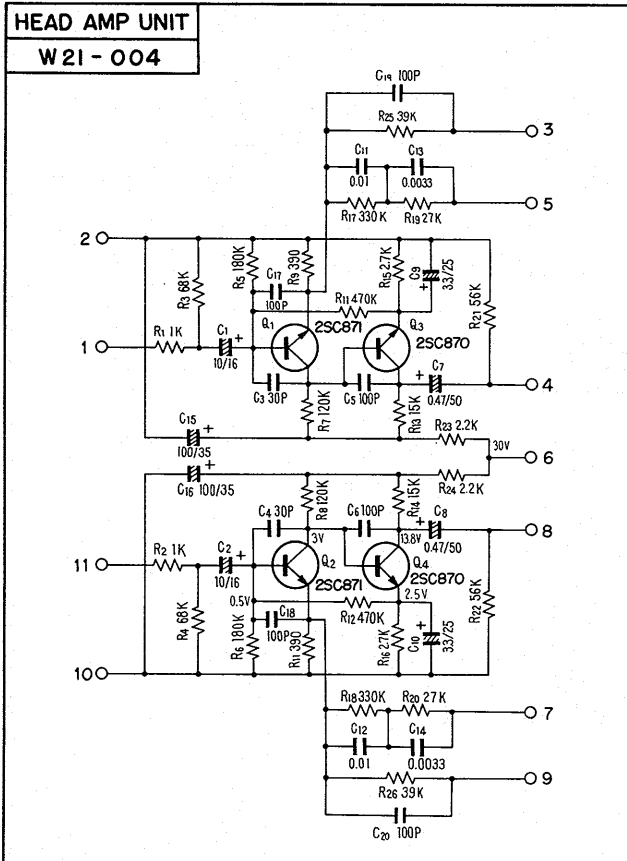
V: FM  
I: V: AM  
C: V: FM STEREO



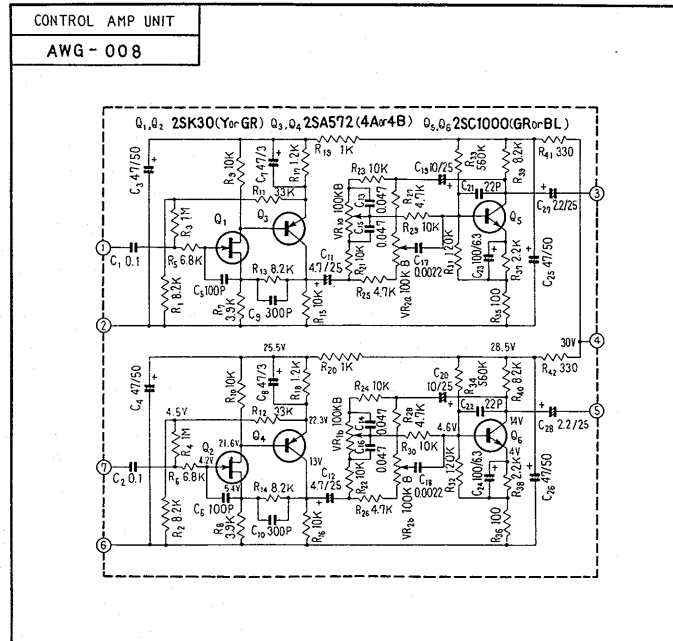
FM FRONT END



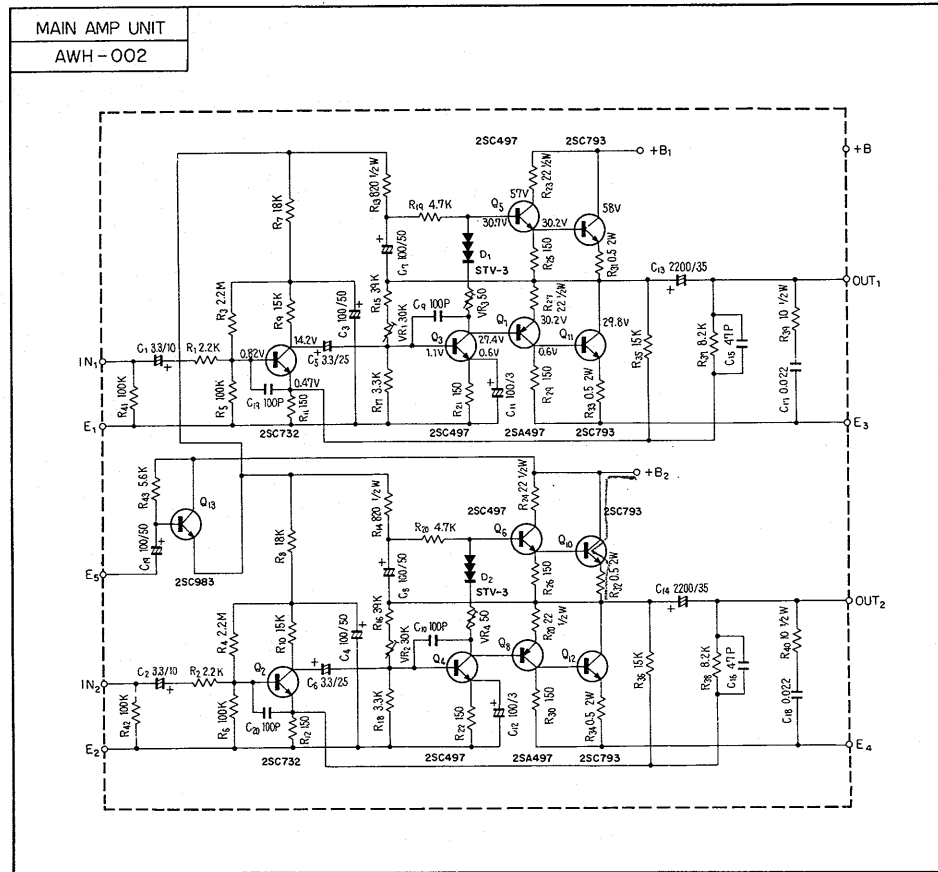
HEAD AMP UNIT



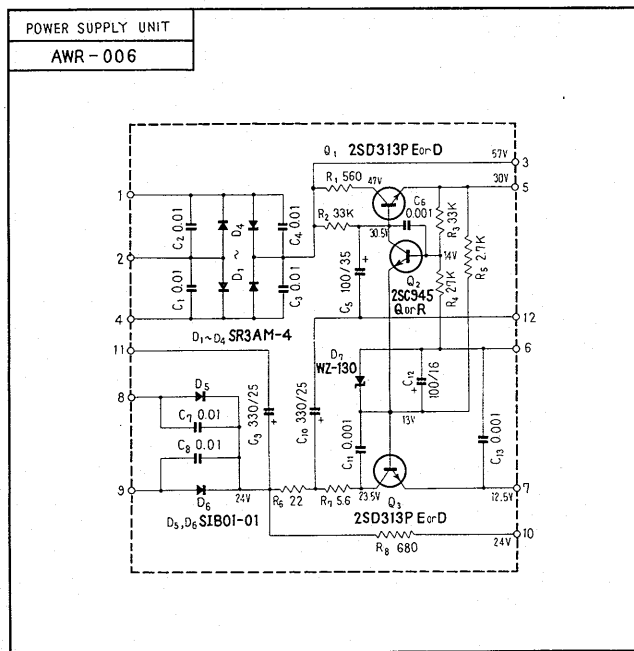
CONTROL AMP UNIT



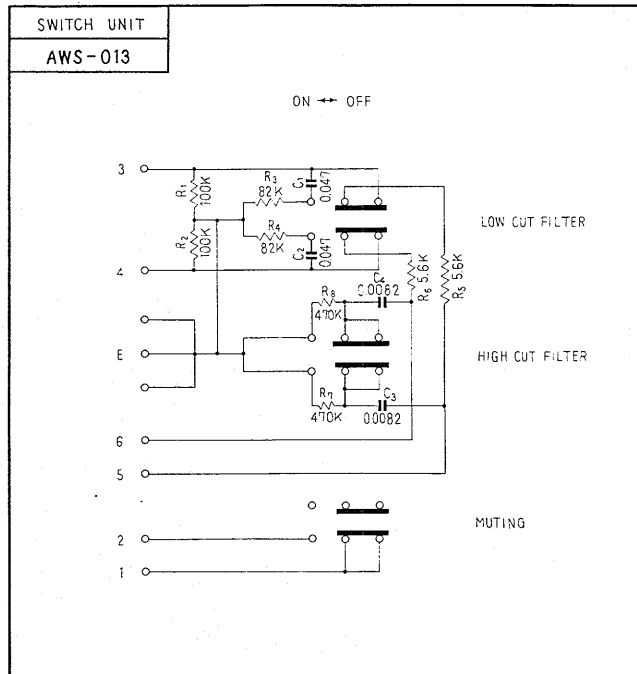
MAIN AMP UNIT



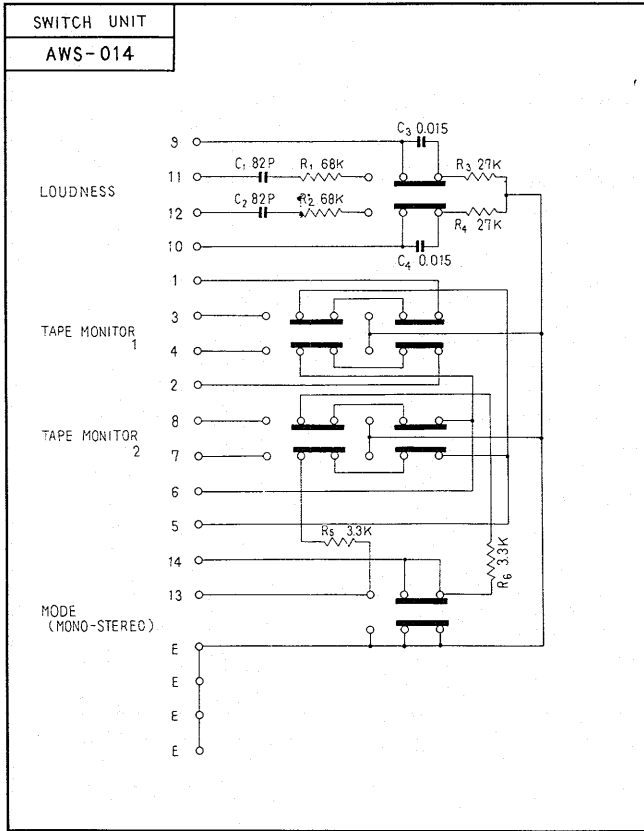
POWER SUPPLY UNIT



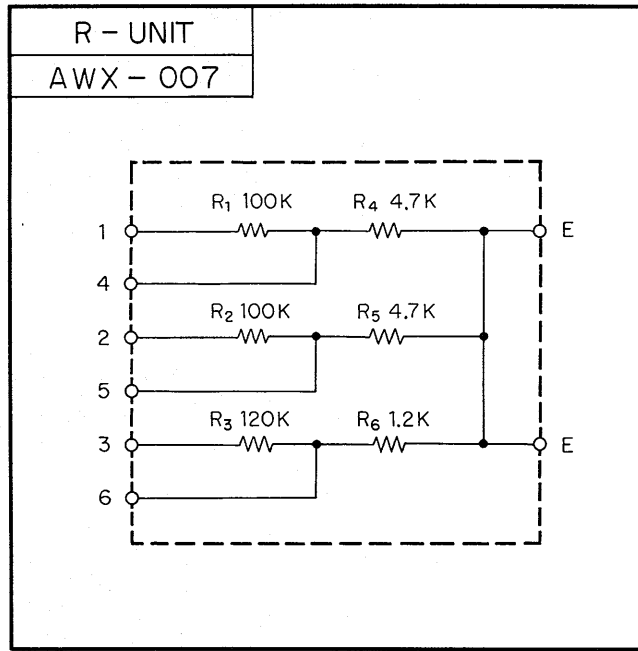
SWITCH UNIT



# SWITCH UNIT

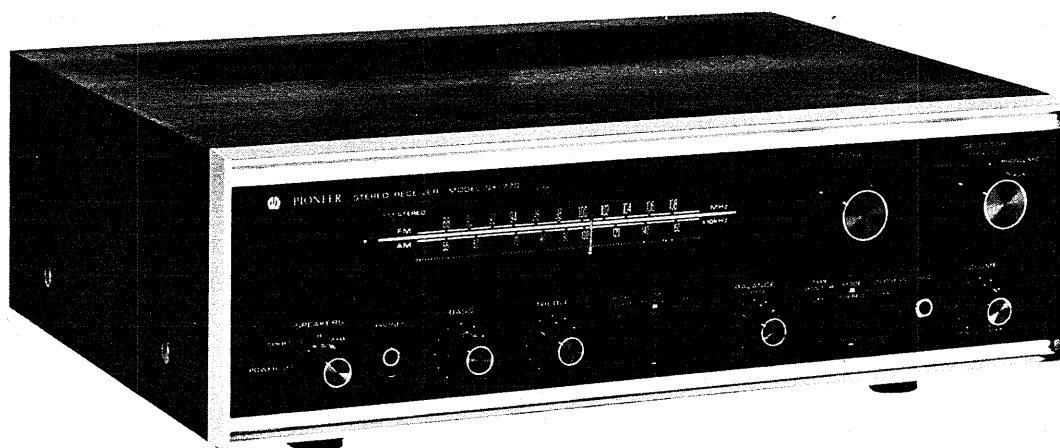


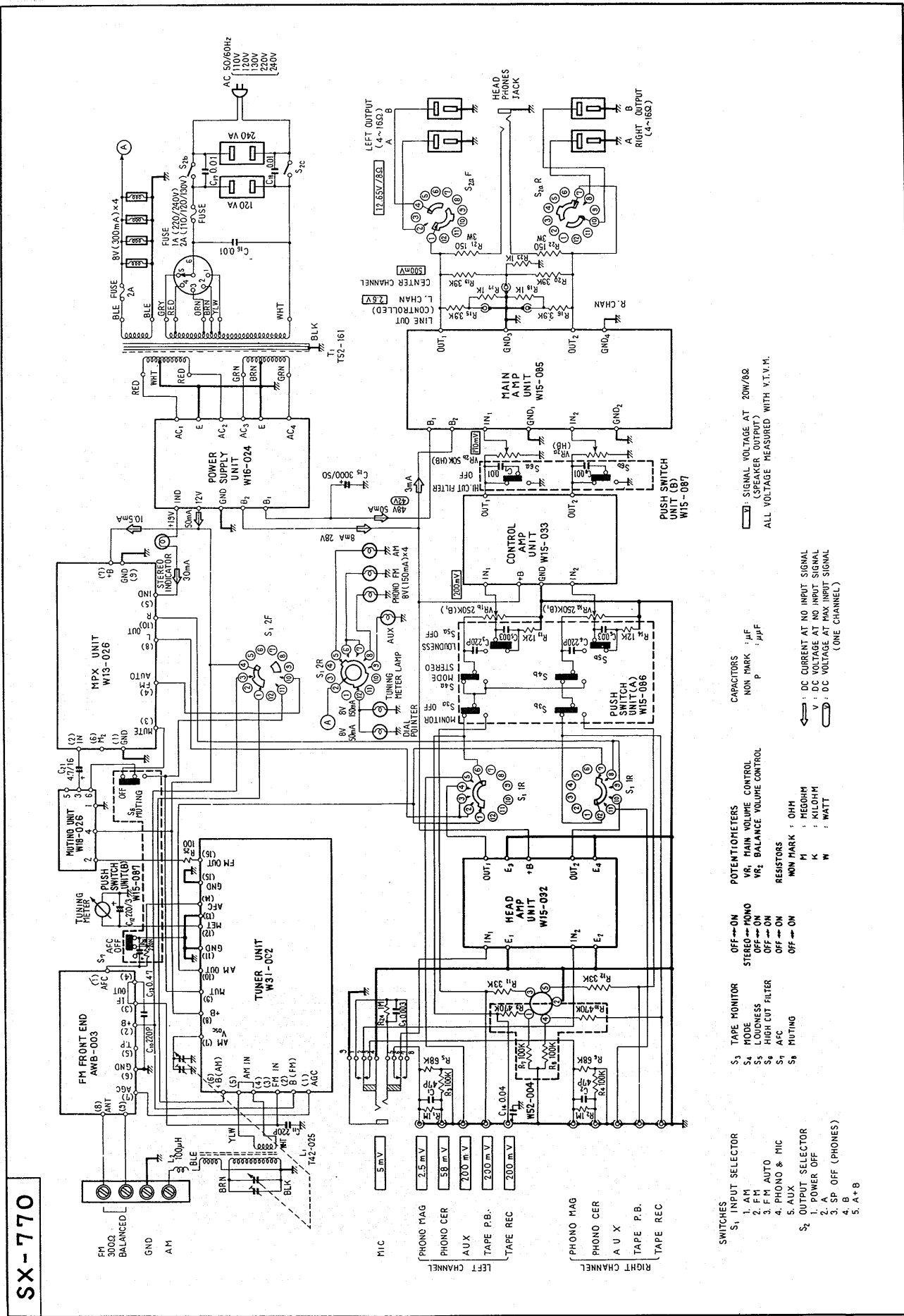
# R UNIT



## AM/FM STEREO RECEIVER SX-770

ROUND LABEL UNIT	FVZW	NBW	KCLW	FVW		
TUNER UNIT						
FM FRONT END	AWB-003	W11-035	W11-035	W11-035		
TUNER UNIT	W31-002	W31-002	W31-002	W31-002		
MPX UNIT	W13-026	W13-026	W13-026	W13-026		
AM TUNER UNIT						
MUTING UNIT	W18-026	W18-026	W18-026	W18-026		
HEAD AMP UNIT	W15-032	W15-032	W15-032	W15-032		
CONTROL AMP UNIT	W15-033	W15-033	W15-033	W15-033		
MAIN AMP UNIT	W15-085	W23-005	W15-085	W15-085		
POWER SUPPLY UNIT	W16-024	W16-064	W16-024	W16-024		
SWITCH UNIT (A)	W15-086	W15-086	W15-086	W15-086		
SWITCH UNIT (B)	W15-087	W15-087	W15-087	W15-087		
SWITCH UNIT						
TONE COLOR UNIT						
CONTROL UNIT						
MIC AMP UNIT						
REVERBE AMP UNIT						
REVERBE UNIT						

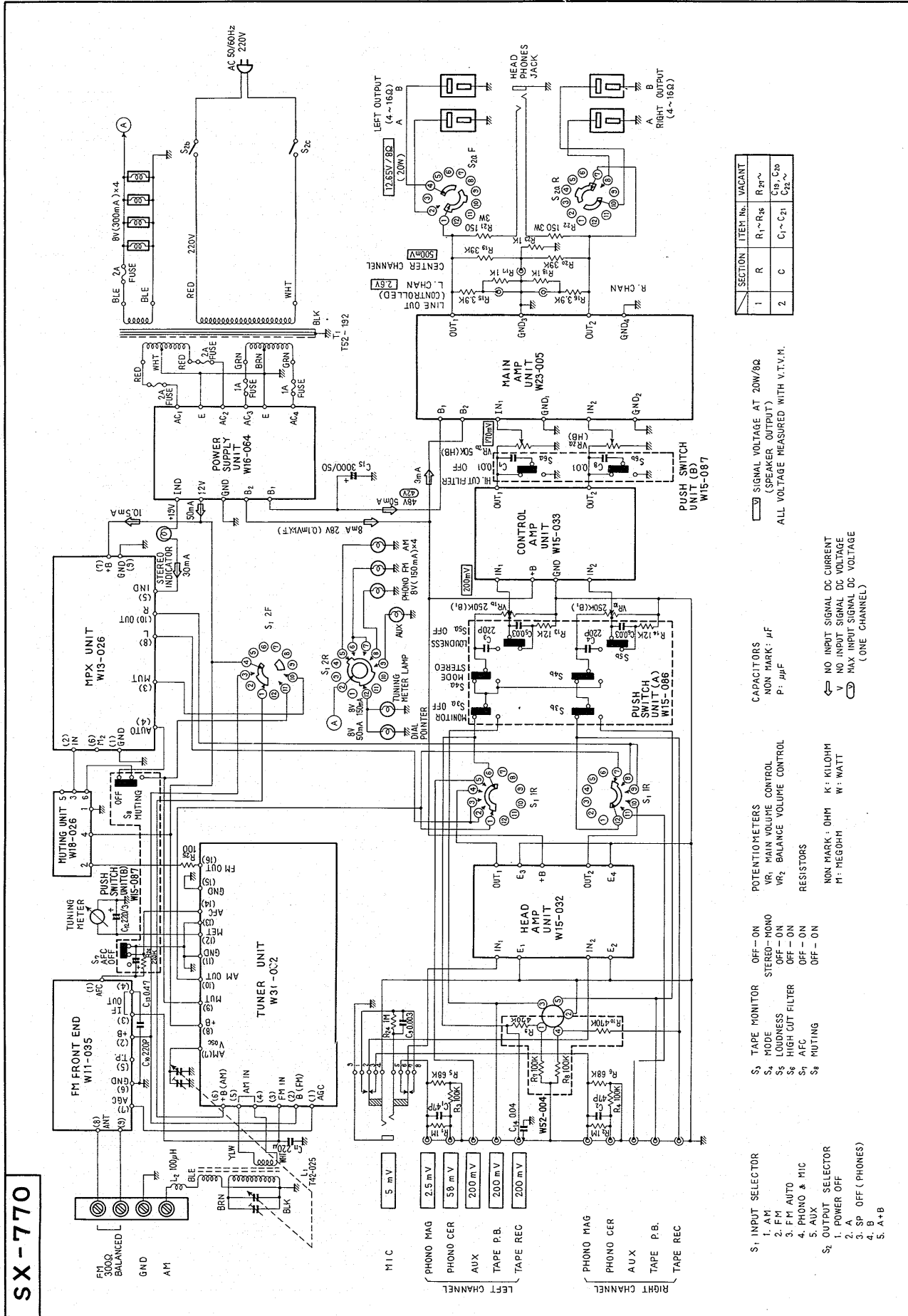




**SX-770**

- SWITCHES**
- S<sub>1</sub> INPUT SELECTOR
  - 1. AM
  - 2. FM
  - 3. FM AUTO
  - 4. PHONO & MIC
  - 5. AUX
- OUTPUT SELECTOR**
- 1. POWER OFF
  - 2. A
  - 3. SP OFF (PHONES)
  - 4. B
  - 5. A+B
- SWITCHES**
- S<sub>3</sub> TAPE MONITOR
  - S<sub>4</sub> MODE
  - S<sub>5</sub> LOUDNESS
  - S<sub>6</sub> HIGH CUT FILTER
  - S<sub>7</sub> AFC
  - S<sub>8</sub> MUTING
- POTENTIOMETERS**
- VR<sub>1</sub> MAIN VOLUME CONTROL
  - VR<sub>2</sub> BALANCE VOLUME CONTROL
- RESISTORS**
- MON MARK : OHM
  - M : MEGOHM
  - K : KILOHM
  - W : WATT
- POTENTIOMETERS**
- OFF ↔ ON
  - STEREO ↔ MONO
  - OFF ↔ ON
  - OFF ↔ ON
  - OFF ↔ ON
- CAPACITORS**
- NON MARK : μF
  - P : pF
- Legend:**
- : SIGNAL VOLTAGE AT 20W/8Ω (SPEAKER OUTPUT)
  - : ALL VOLTAGE MEASURED WITH V.T.V.H.
  - ⊖ : DC CURRENT AT NO INPUT SIGNAL
  - ⊕ : DC VOLTAGE AT NO INPUT SIGNAL
  - ⊖ : DC VOLTAGE AT MAX INPUT SIGNAL (ONE CHANNEL)

SX-770 for NBW model



**SX-770**

SECTION	ITEM No.	VACANT
1	R	R <sub>1</sub> ~R <sub>10</sub>
2	C	C <sub>1</sub> ~C <sub>21</sub>

SIGNAL VOLTAGE AT 20W/8Q (SPEAKER OUTPUT)  
 ALL VOLTAGE MEASURED WITH V.T.V.M.

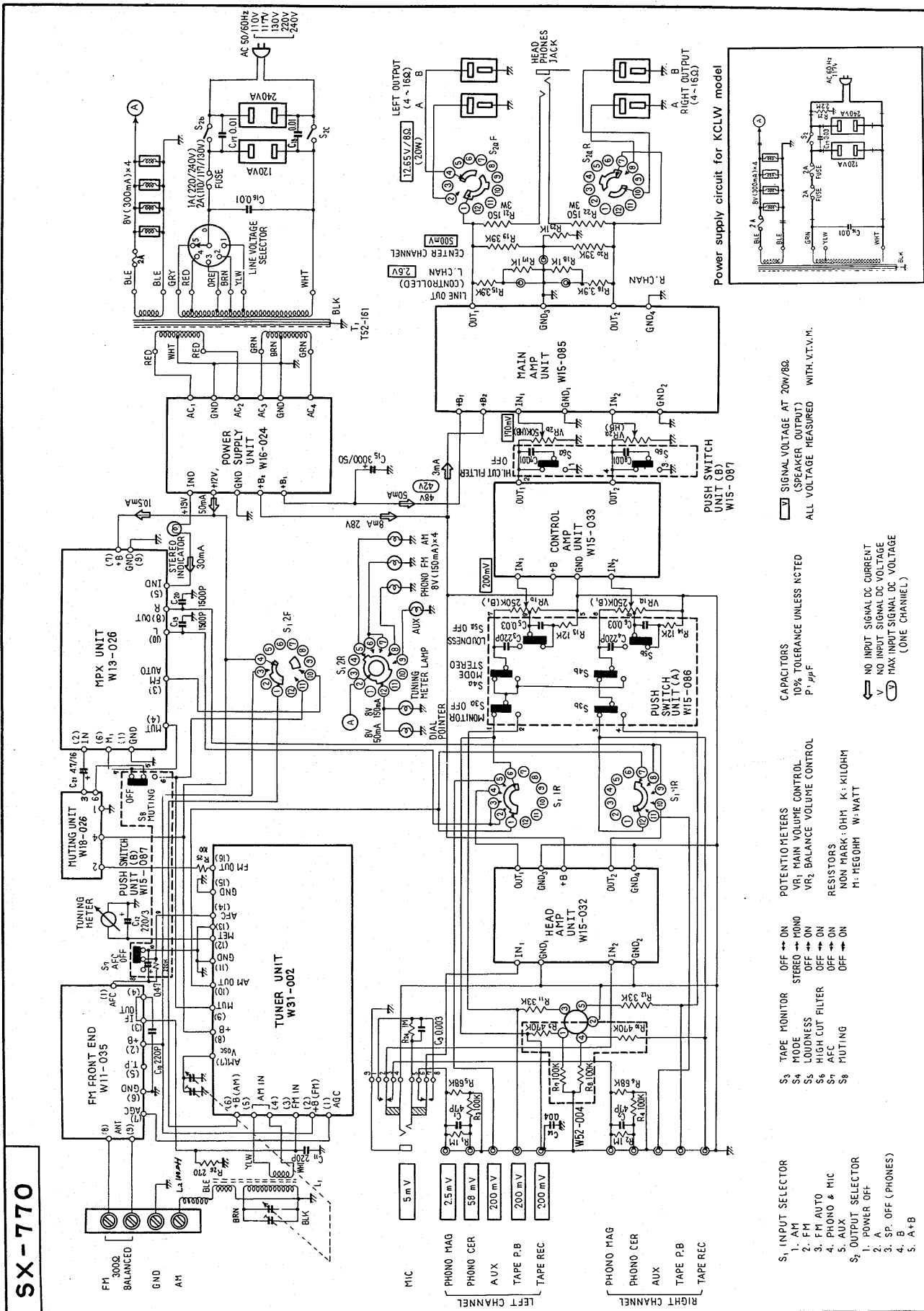
NO INPUT SIGNAL DC CURRENT  
 NO INPUT SIGNAL DC VOLTAGE  
 MAX INPUT SIGNAL DC VOLTAGE (ONE CHANNEL)

POTENTIOMETERS  
 VR<sub>1</sub> MAIN VOLUME CONTROL  
 VR<sub>2</sub> BALANCE VOLUME CONTROL  
 RESISTORS  
 NON MARK : OHM K : KILOHM  
 M : MEGOHM W : WATT

S<sub>1</sub> INPUT SELECTOR  
 1. AM  
 2. FM  
 3. FM AUTO  
 4. PHONO & MIC  
 5. AUX  
 S<sub>2</sub> OUTPUT SELECTOR  
 1. POWER OFF  
 2. A  
 3. SP OFF (PHONES)  
 4. B  
 5. A+B

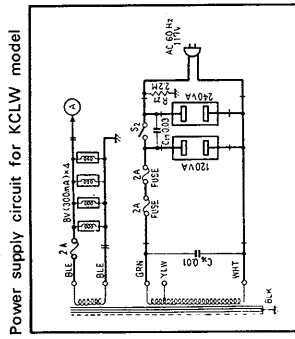
S<sub>3</sub> TAPE MONITOR OFF - ON  
 S<sub>4</sub> MODE STEREO - MONO  
 S<sub>5</sub> LOUDNESS OFF - ON  
 S<sub>6</sub> HIGH CUT FILTER OFF - ON  
 S<sub>7</sub> AFC OFF - ON  
 S<sub>8</sub> MUTING OFF - ON

SX-770 KCLW, FVW model



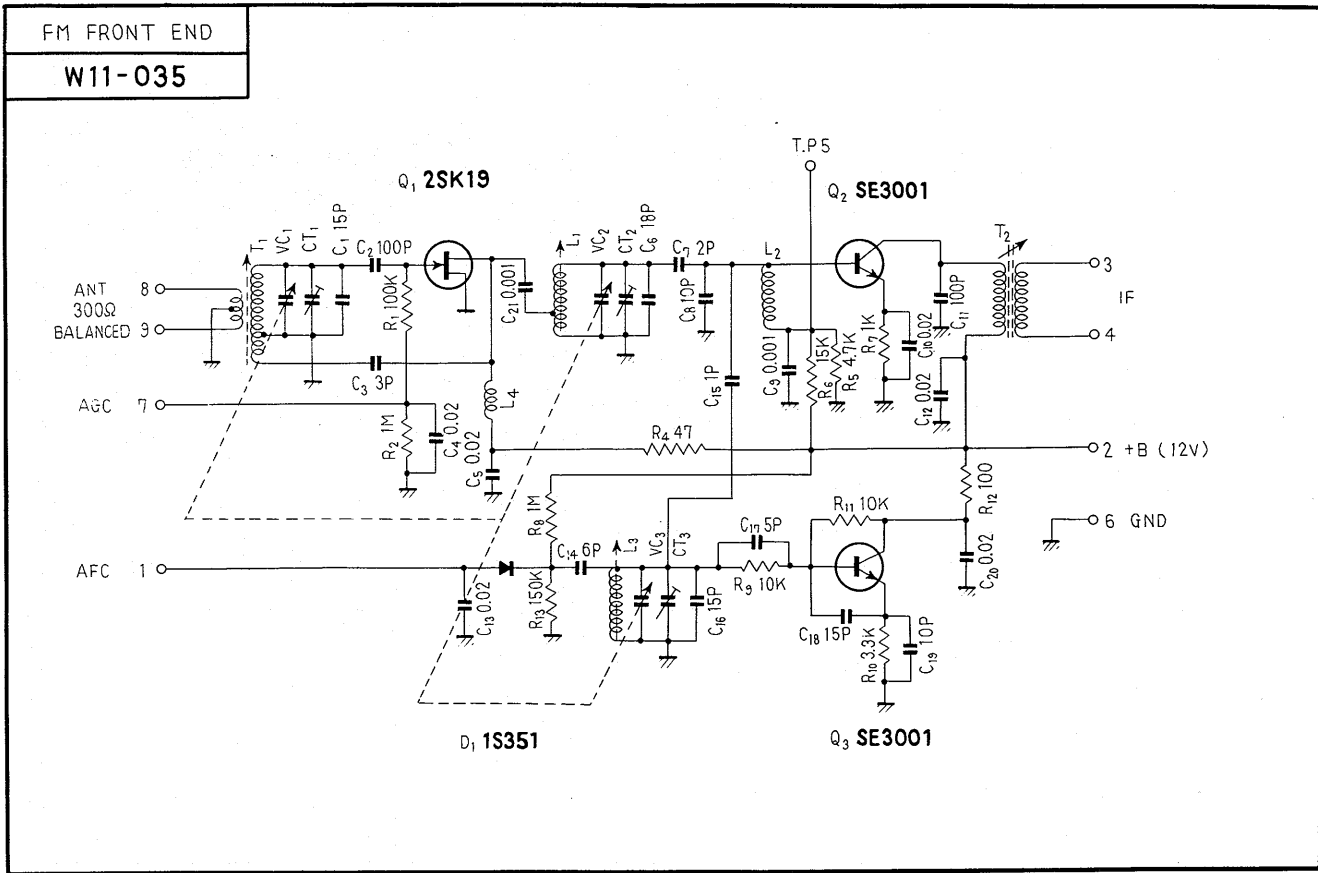
**SX-770**

- S<sub>1</sub> INPUT SELECTOR**  
 1. AM  
 2. FM  
 3. FM AUTO  
 4. PHONO & MIC  
 5. AUX  
**S<sub>2</sub> OUTPUT SELECTOR**  
 1. POWER OFF  
 2. A  
 3. SP. OFF (PHONES)  
 4. B  
 5. A+B
- TAPE MONITOR** OFF ↔ ON  
**MODE** STEREO ↔ MONO  
**LOUDNESS** OFF ↔ ON  
**HIGH CUT FILTER** OFF ↔ ON  
**AFC** OFF ↔ ON  
**MUTING** OFF ↔ ON
- POTENTIOMETERS**  
 VR<sub>1</sub>: MAIN VOLUME CONTROL  
 VR<sub>2</sub>: BALANCE VOLUME CONTROL
- RESISTORS**  
 NON-MARKED: 0HM, K: KILOHM, M: MEGOHM, W: WATT
- CAPACITORS**  
 10% TOLERANCE UNLESS NOTED  
 P: P.P.F.
- V<sub>1</sub> SIGNAL VOLTAGE AT 20W/8Ω (SPEAKER OUTPUT)**  
**ALL VOLTAGE MEASURED WITH V.T.V.M.**
- I<sub>1</sub> NO INPUT SIGNAL DC CURRENT**  
**V<sub>1</sub> NO INPUT SIGNAL DC VOLTAGE**  
**V<sub>2</sub> MAX INPUT SIGNAL DC VOLTAGE (ONE CHANNEL)**

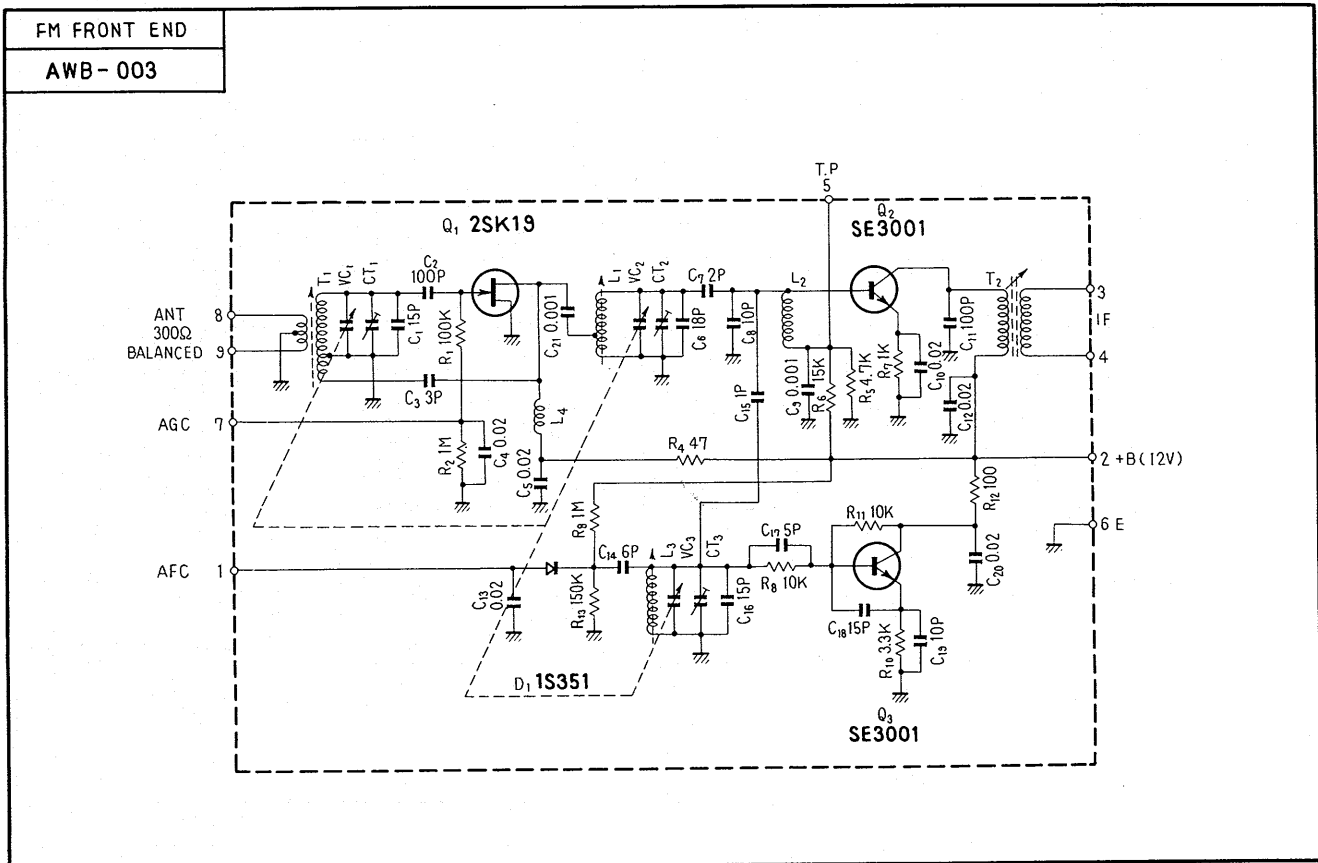


Power supply circuit for KCLW model

FM FRONT END

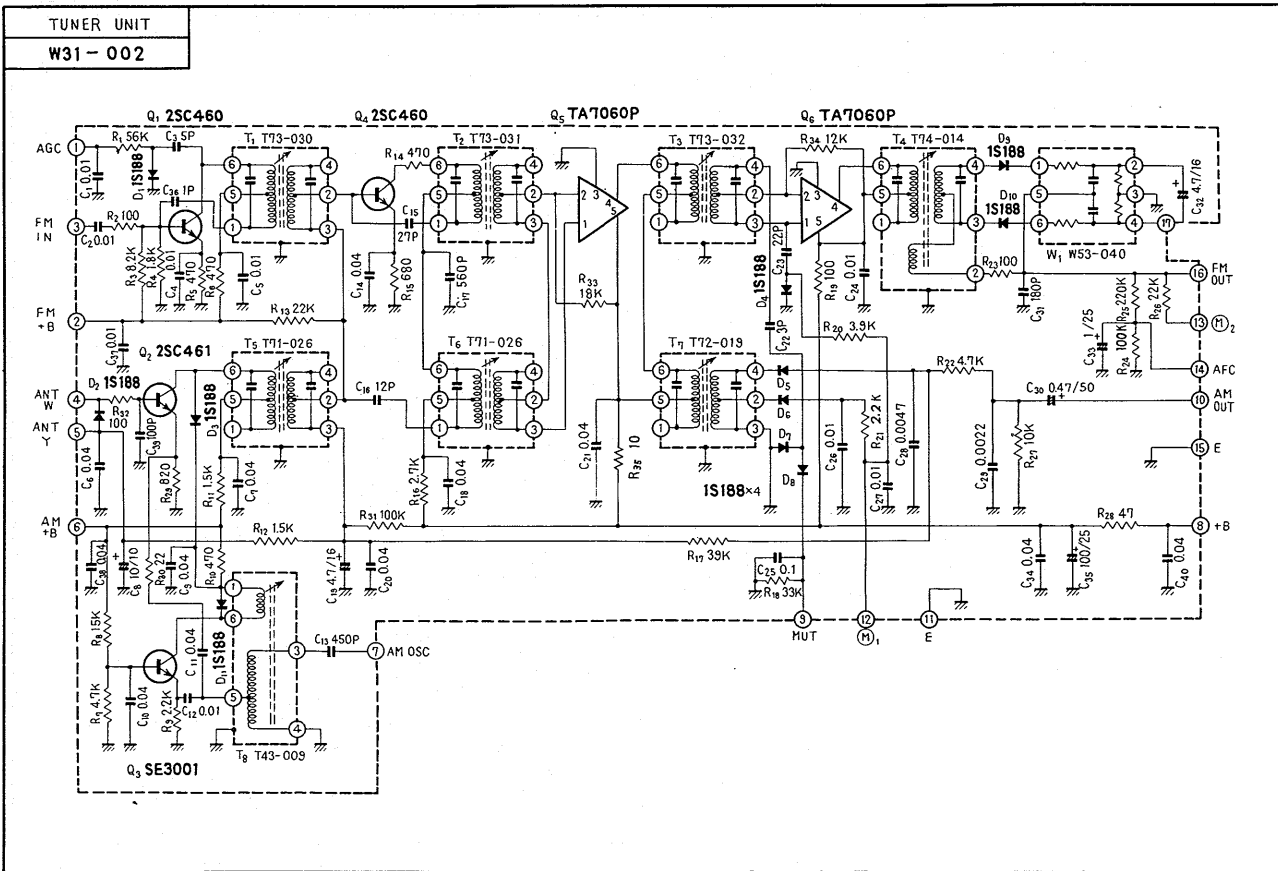


FM FRONT END for FVZW model

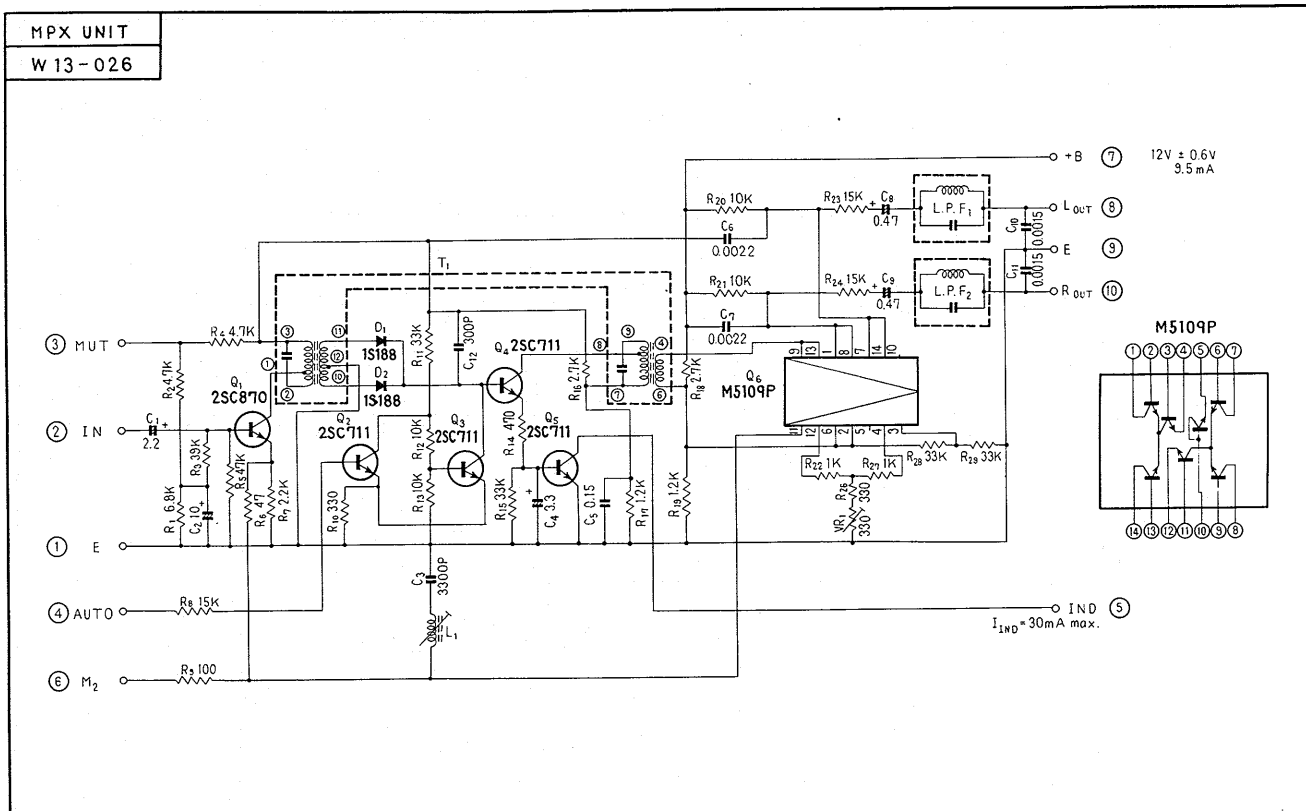




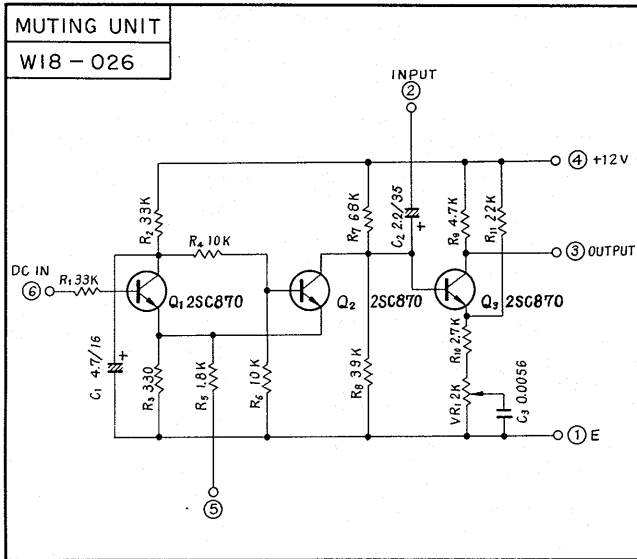
# TUNER UNIT



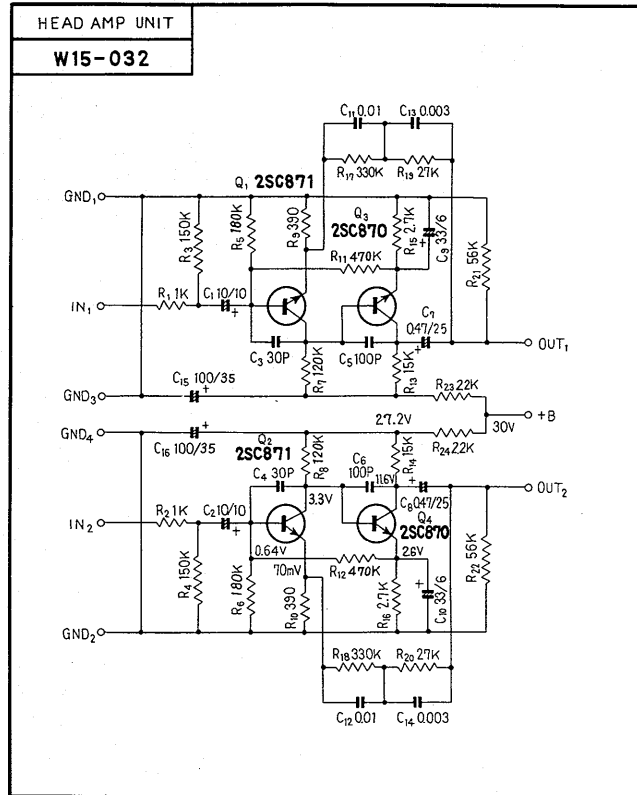
# MPX UNIT



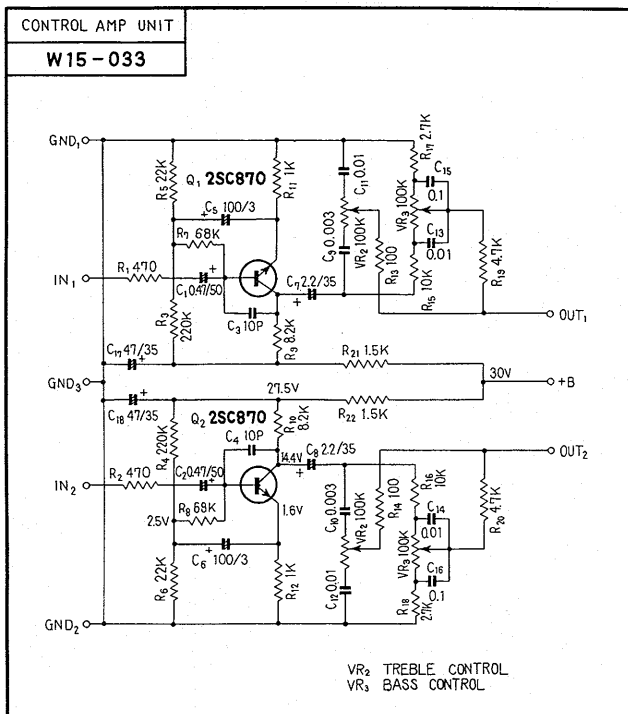
MUTING UNIT



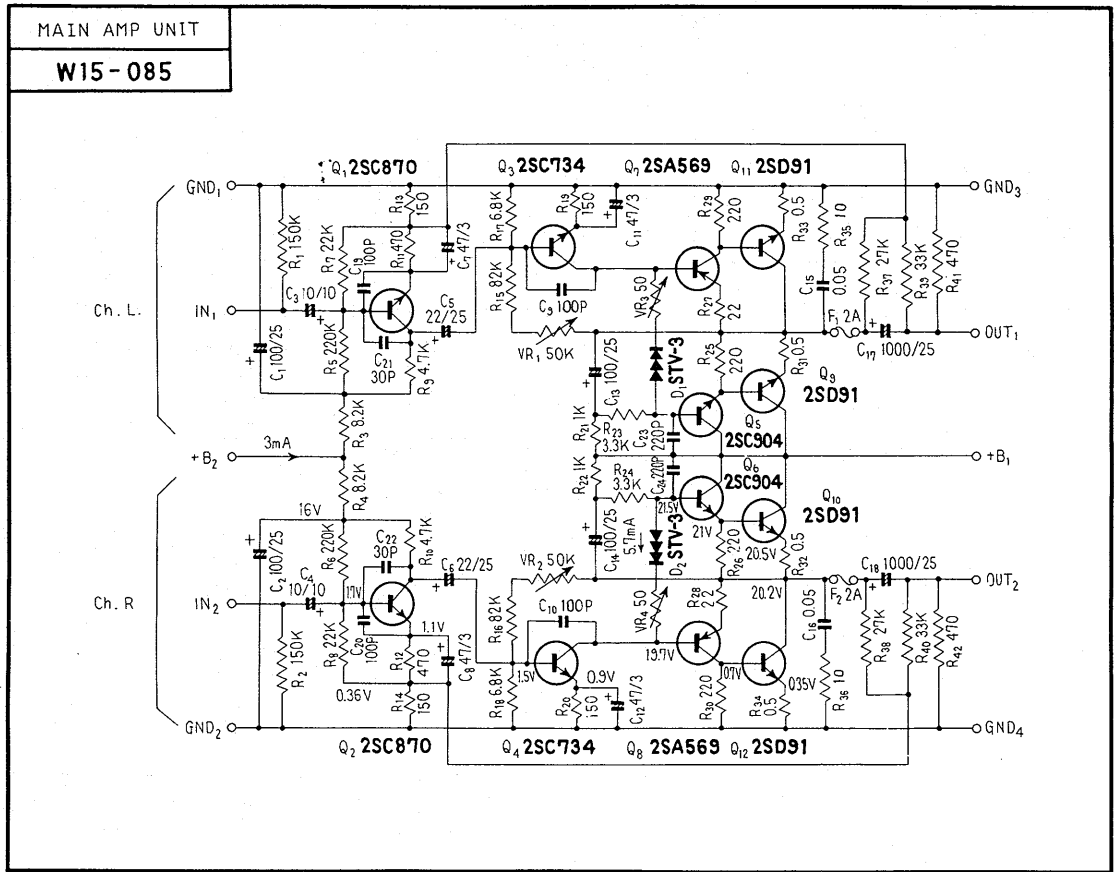
HEAD AMP UNIT



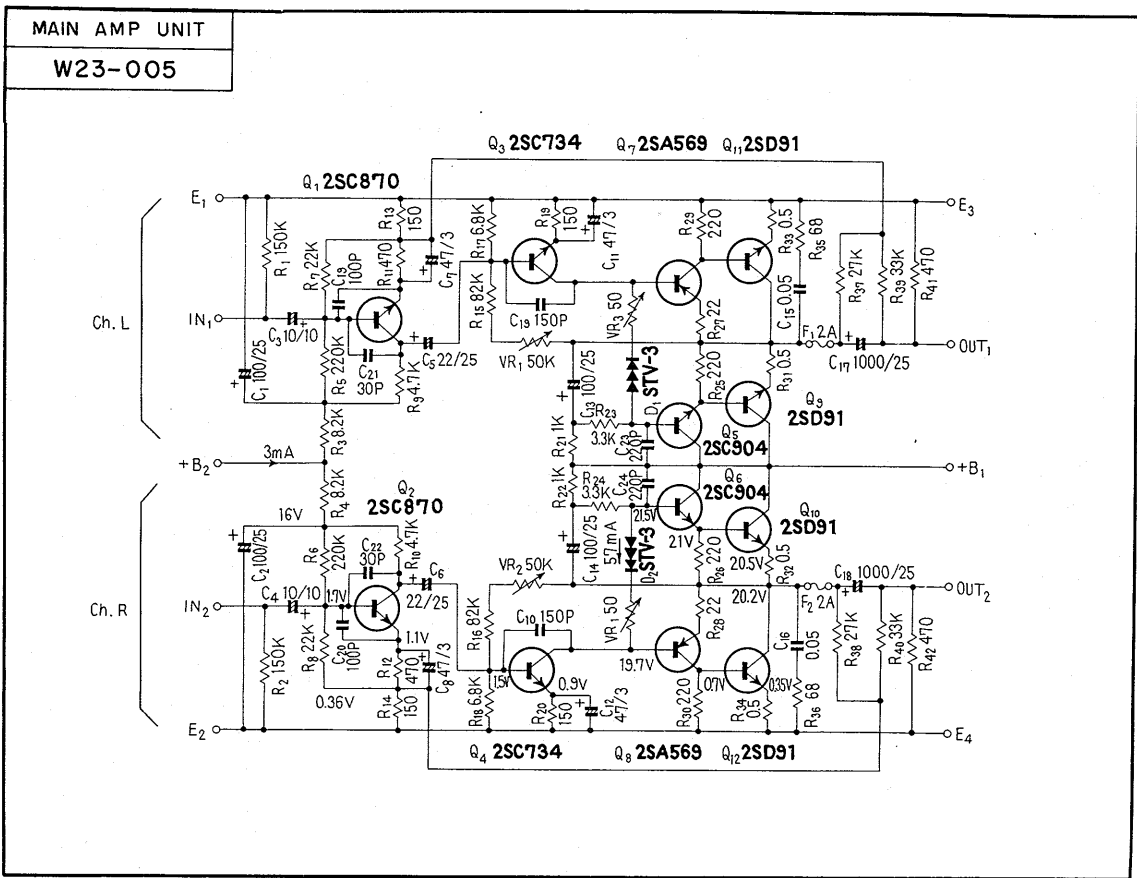
CONTROL AMP UNIT



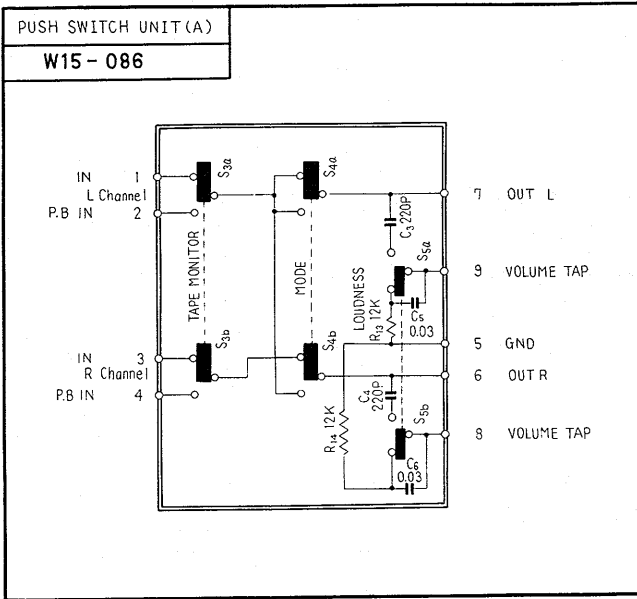
# MAIN AMP UNIT



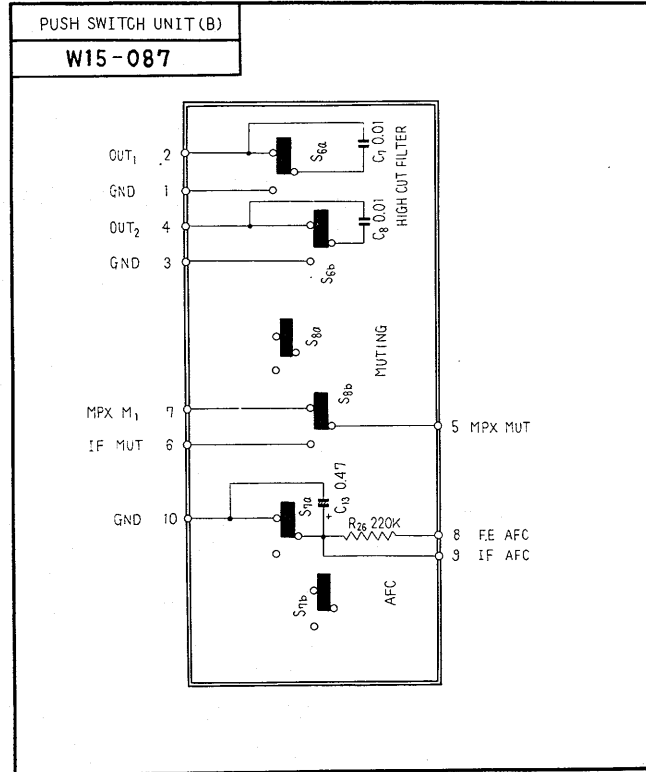
# MAIN AMP UNIT For NBW model



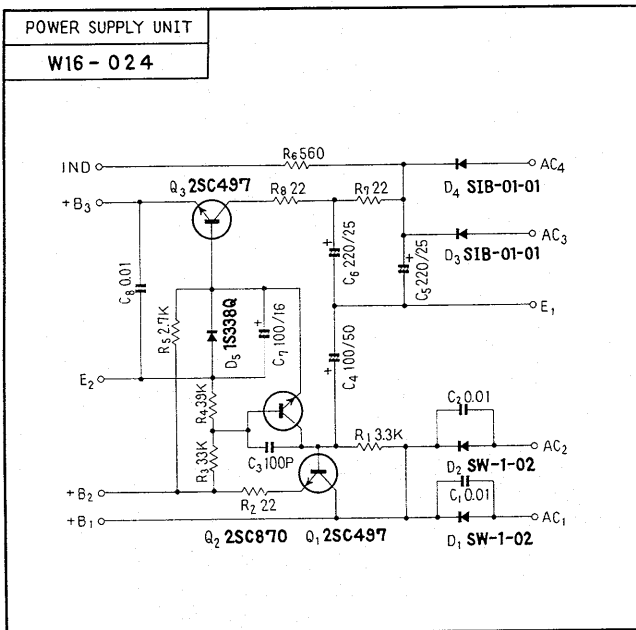
PUSH SWITCH UNIT



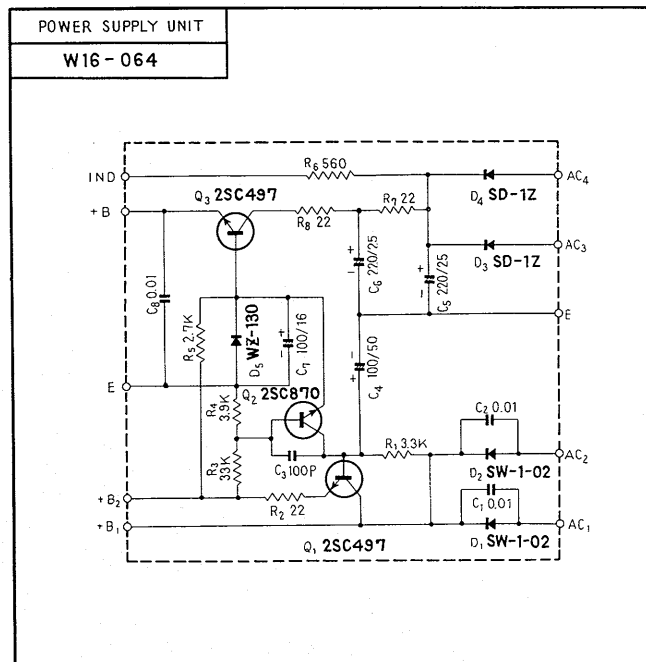
PUSH SWITCH UNIT



POWER SUPPLY UNIT



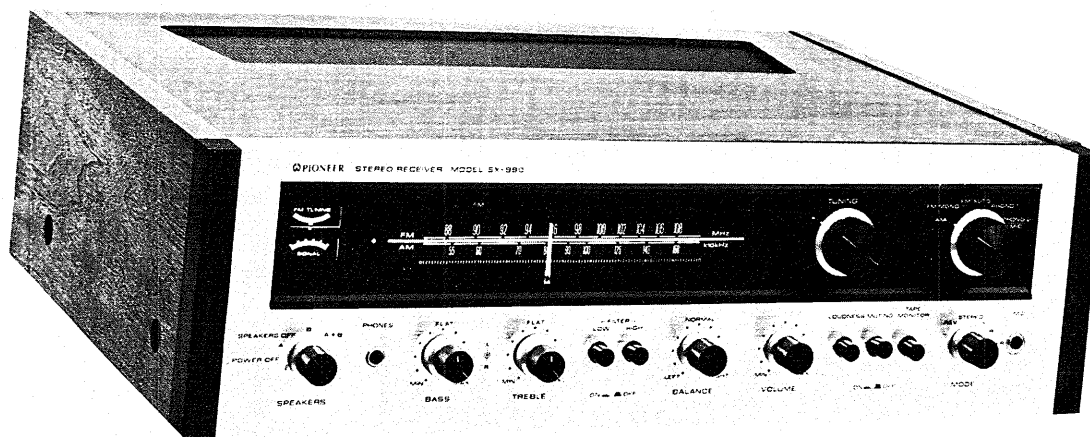
POWER SUPPLY UNIT for NBW model



## AM/FM STEREO RECEIVER

### SX-990

ROUND LABEL UNIT	FSAW	FVW	FVZW	KCW	KUW	NBW
<b>TUNER UNIT</b>						
<b>FM FRONT END</b>	W11-030	W11-028	AWB-001	W11-028	W11-028	W11-028
<b>FM IF UNIT</b>	W12-031	W12-032	W12-032	W12-032	W12-032	W12-032
<b>MPX UNIT</b>	W13-026	W13-026	W13-026	W13-026	W13-026	W13-026
<b>AM TUNER UNIT</b>	W14-008	W14-008	W14-008	W14-008	W14-008	W14-015
<b>MUTING UNIT</b>	W18-026	W18-026	W18-026	W18-026	W18-026	W18-026
<b>HEAD AMP UNIT</b>	W15-049	W15-049	W15-049	W15-049	W15-049	W15-049
<b>CONTROL AMP UNIT</b>	W15-079	W15-079	W15-079	W15-079	W15-079	W15-079
<b>MAIN AMP UNIT</b>	W15-060	W15-060	W15-060	W15-060	W15-060	W23-006
<b>POWER SUPPLY UNIT</b>	W16-022	W16-022	W16-022	W16-022	W16-022	W16-065
<b>SWITCH UNIT</b>	W15-081	W15-081	W15-081	W15-081	W15-081	W15-081
<b>SWITCH UNIT</b>	W15-082	W15-082	W15-082	W15-082	W15-082	W15-082
<b>SWITCH UNIT</b>						
<b>TONE COLOR UNIT</b>						
<b>CONTROL UNIT</b>	W15-080	W15-080	W15-080	W15-080	W15-080	W15-080
<b>MIC AMP UNIT</b>						
<b>REVERBE AMP UNIT</b>						
<b>REVERBE UNIT</b>						
<b>INDICATOR UNIT</b>	W18-012	W18-012	W18-012	W18-012	W18-012	W18-012



SX-990

S<sub>2</sub> MODE SELECTOR (S14-035)

- (1) STEREO REV
- (2) STEREO NORM
- (3) MONO L
- (4) MONO R
- (5) MONO L + R

S<sub>1</sub> INPUT SELECTOR (S13-029)

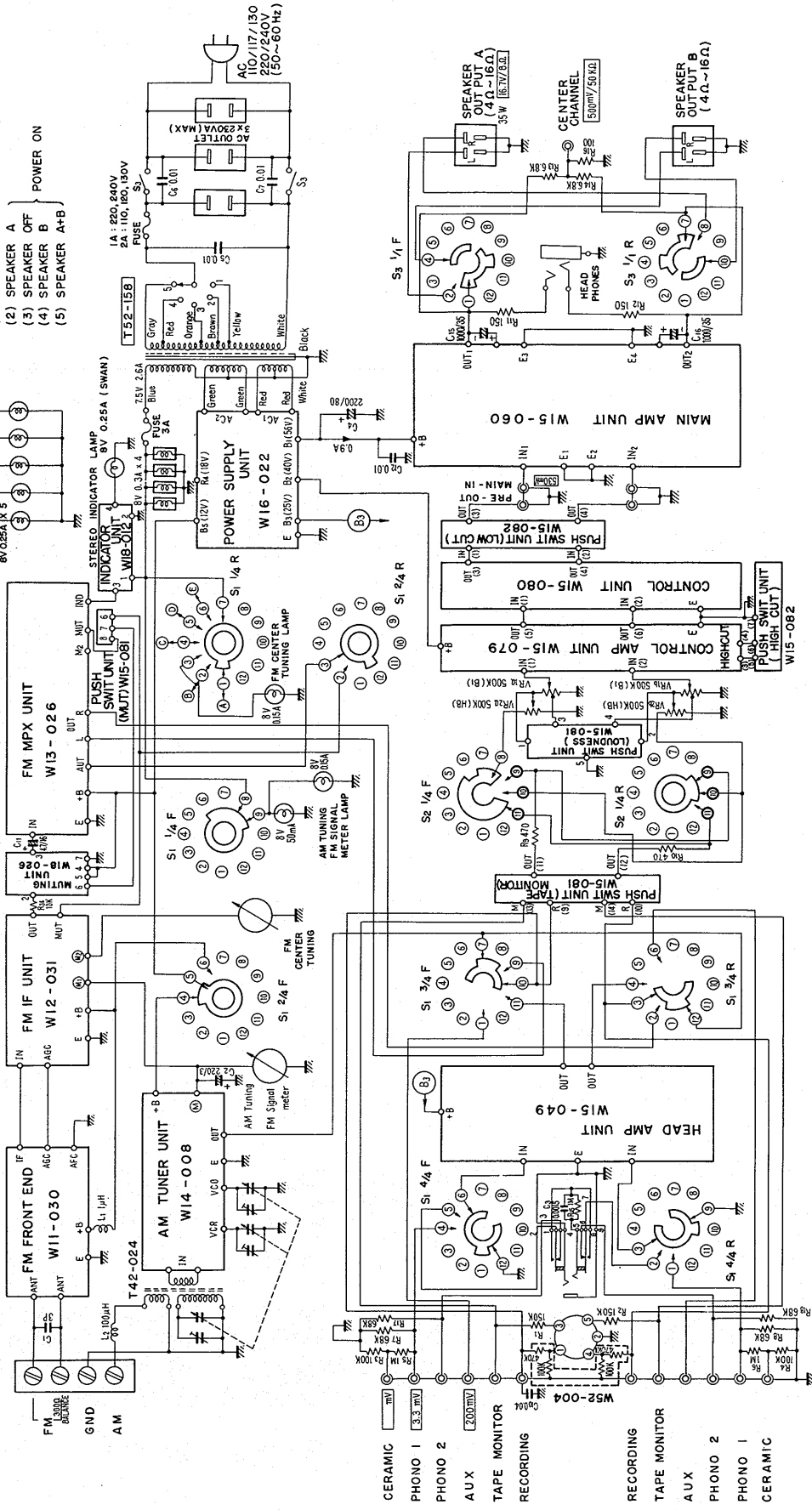
- (1) AM (4) PHONO 1 (CERAMIC)
- (2) FM (5) PHONO 2 (MIC)
- (3) FM (6) AUX
- AUTO

S<sub>3</sub> OUTPUT SELECTOR (S11-022)

- (1) POWER OFF
- (2) SPEAKER A
- (3) SPEAKER OFF
- (4) SPEAKER B
- (5) SPEAKER A+B

(AM) (FM) (PHONO 1) (PHONO 2)

- (1) (2) (3) (4) (5) (6) (7) (8) (9) (10) (11) (12) (13) (14) (15) (16) (17) (18) (19) (20) (21) (22) (23) (24) (25) (26) (27) (28) (29) (30) (31) (32) (33) (34) (35) (36) (37) (38) (39) (40) (41) (42) (43) (44) (45) (46) (47) (48) (49) (50) (51) (52) (53) (54) (55) (56) (57) (58) (59) (60) (61) (62) (63) (64) (65) (66) (67) (68) (69) (70) (71) (72) (73) (74) (75) (76) (77) (78) (79) (80) (81) (82) (83) (84) (85) (86) (87) (88) (89) (90) (91) (92) (93) (94) (95) (96) (97) (98) (99) (100)



ITEM NO.	VACANT
R <sub>1</sub> ~ R <sub>24</sub>	R <sub>19</sub> ~ R <sub>23</sub>
C <sub>1</sub> ~ C <sub>12</sub>	C <sub>8</sub> ~ C <sub>9</sub>

SX-990 for FVW model

SX-990

S<sub>2</sub> MODE SELECTOR (S14-035)

- (1) STEREO REV
- (2) STEREO NORM
- (3) MONO L
- (4) MONO R
- (5) MONO L+R

S<sub>3</sub> OUTPUT SELECTOR (S11-022)

- (1) POWER OFF
- (2) SPEAKER A
- (3) SPEAKER OFF
- (4) SPEAKER B
- (5) SPEAKER A+B

S<sub>1</sub> INPUT SELECTOR (S13-029)

- (1) AM
- (2) FM
- (3) FM AUTO
- (4) PHONO 1 (CERAMIC)
- (5) PHONO 2 (MIC)
- (6) AUX

(A1) (FM) PHONO 1 (MONO 2)

PL (SWAN) 8V 0.25A\*5

INDICATOR UNIT 4

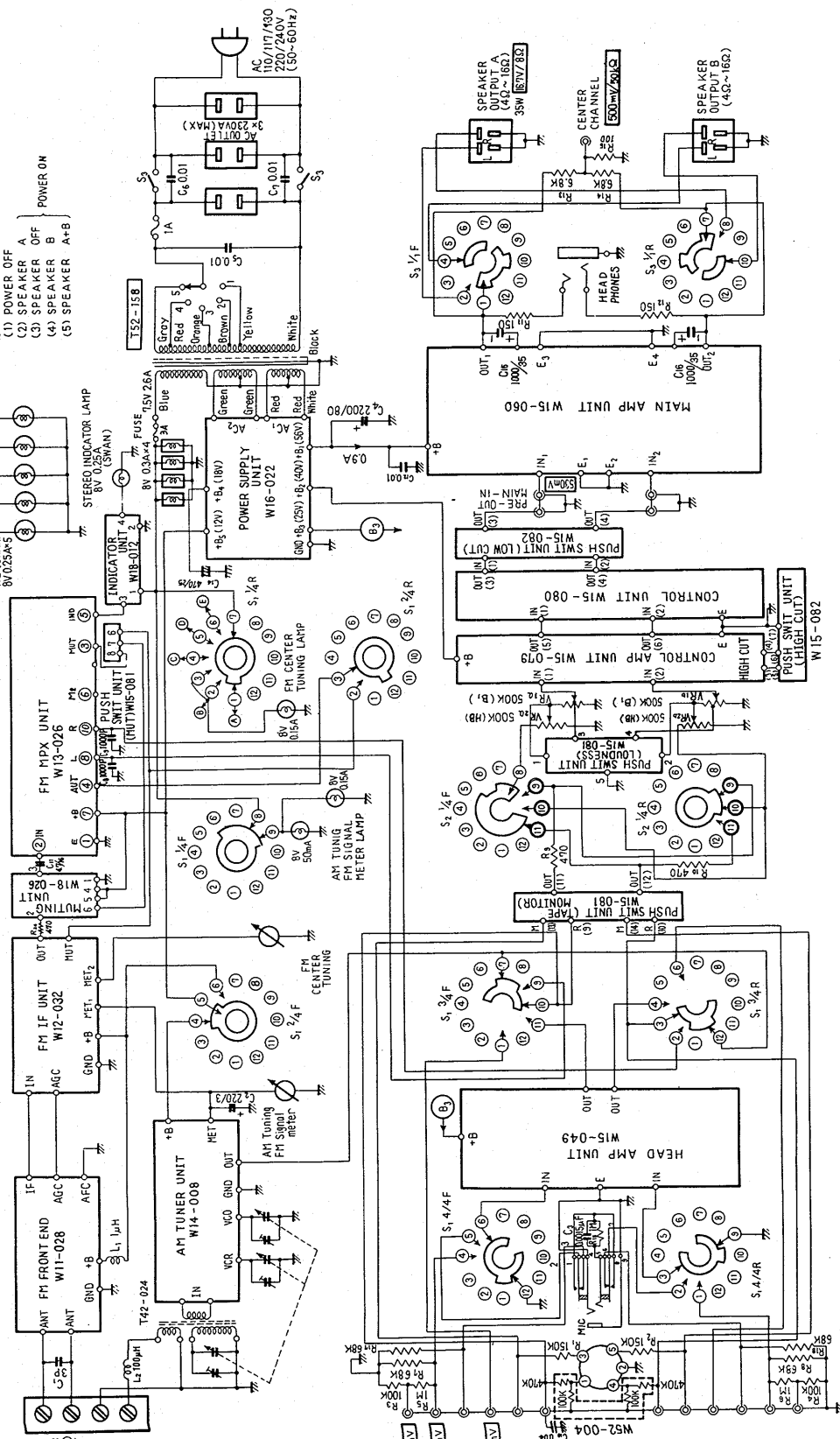
STEREO INDICATOR LAMP

FM MPX UNIT W13-026

FM IF UNIT W12-032

FM FRONT END W11-028

AM TUNER UNIT W14-008

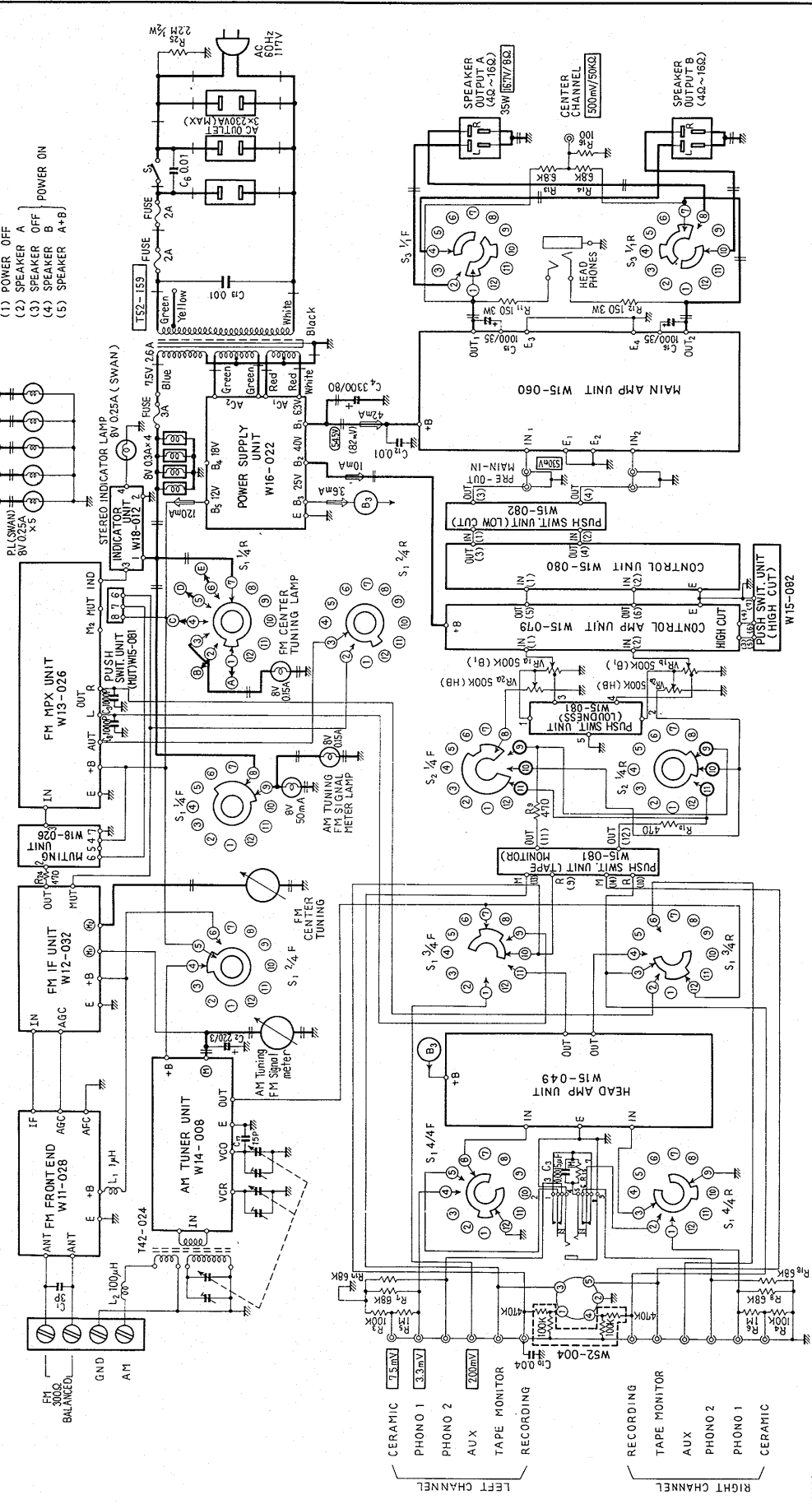


ITEM No	VACANT
R <sub>1</sub> ~ R <sub>10</sub>	R <sub>11</sub> ~ R <sub>12</sub>
C <sub>1</sub> ~ C <sub>6</sub>	

- CERAMIC 75 mV
- PHONO 1 3.3mV
- PHONO 2 200mV
- AUX
- TAPE MONITOR
- RECORDING
- RECORDING TAPE MONITOR
- AUX
- PHONO 2
- PHONO 1
- CERAMIC

**SX-990**

- S<sub>1</sub> INPUT SELECTOR**  
 (1) AM (2) PHONO 1 (CERAMIC)  
 (3) FM (4) PHONO 2 (TRIG)  
 (5) FM AUTO (6) AUX
- (A-H) (FM) (PHONO 1) (PHONO 2)  
 (I) (SWAN) (J) (AUX)  
 (K) (SWAN) (L) (AUX)
- S<sub>2</sub> MODE SELECTOR**  
 (1) STEREO REV (2) STEREO NORM  
 (3) MONO L (4) MONO R  
 (5) MONO L+R
- S<sub>3</sub> OUTPUT SELECTOR**  
 (1) POWER OFF (2) SPEAKER A  
 (3) SPEAKER B (4) SPEAKER A+B  
 (5) POWER ON



SECTION	ITEM NO	VACANT
1	R <sub>1</sub> ~ R <sub>10</sub>	
2	C <sub>1</sub> ~ C <sub>10</sub>	

CSA APPROVED WIRE  
 TR-64  
 TR-32

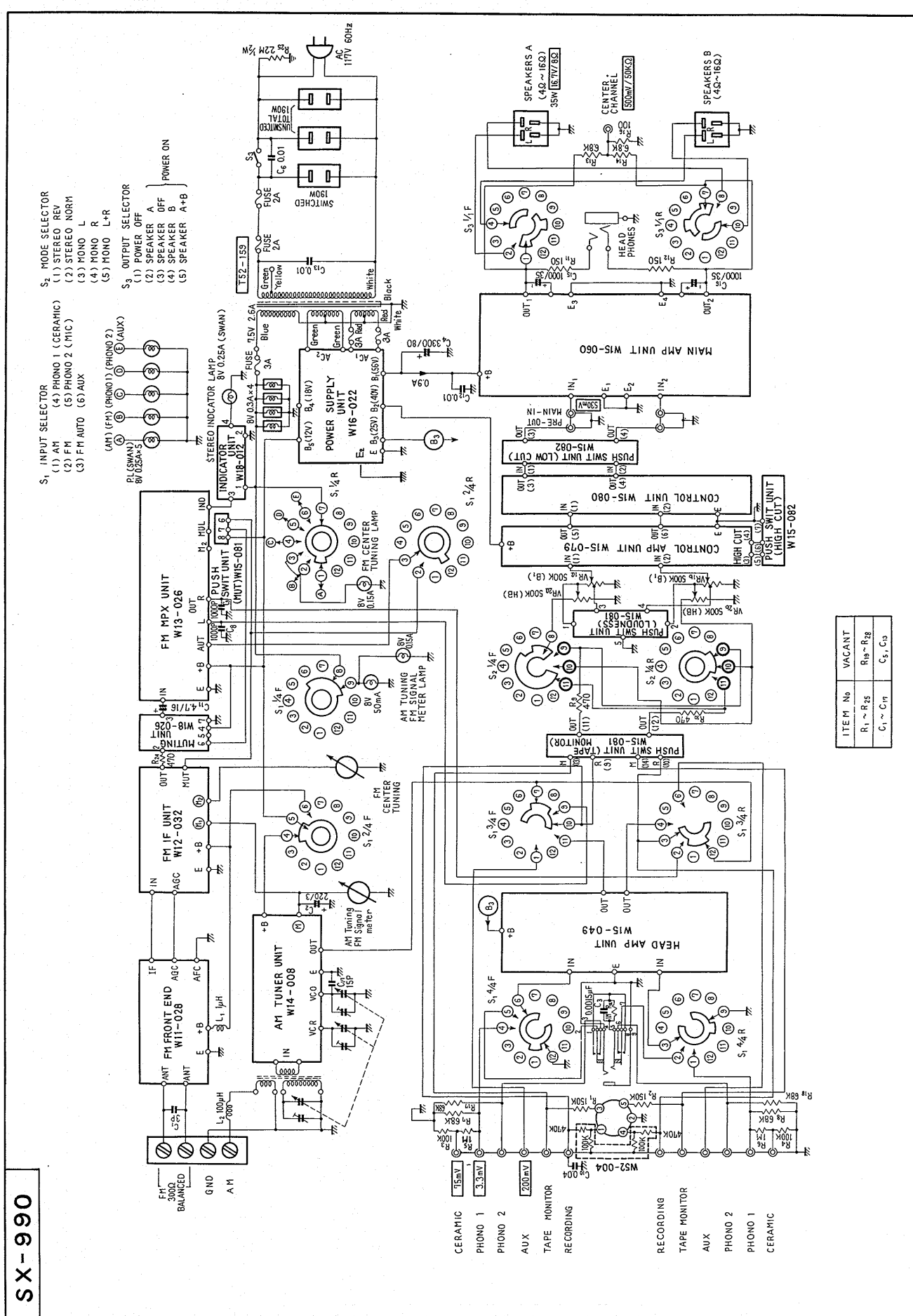
**CURRENT AND VOLTAGES**  
 ◀ NO INPUT SIGNAL DC CURRENT  
 V : MAX INPUT SIGNAL DC VOLTAGE  
 ⊖ : SIGNAL VOLTAGE AT 35W/8Q (SPEAKER OUTPUT)  
 ALL VOLTAGE MEASURED WITH V.T.V.M.

**CAPACITORS**  
 NON MARK : μF  
 P : pF

**(NOTE)**  
 WR: MAIN VOLUME CONTROL (CB5-054)  
 WR<sub>2</sub>: BALANCE VOLUME CONTROL (CB5-048)  
 RESISTORS  
 NON MARK : OHM K: KILOHM  
 M: MEGOHM W: WATT



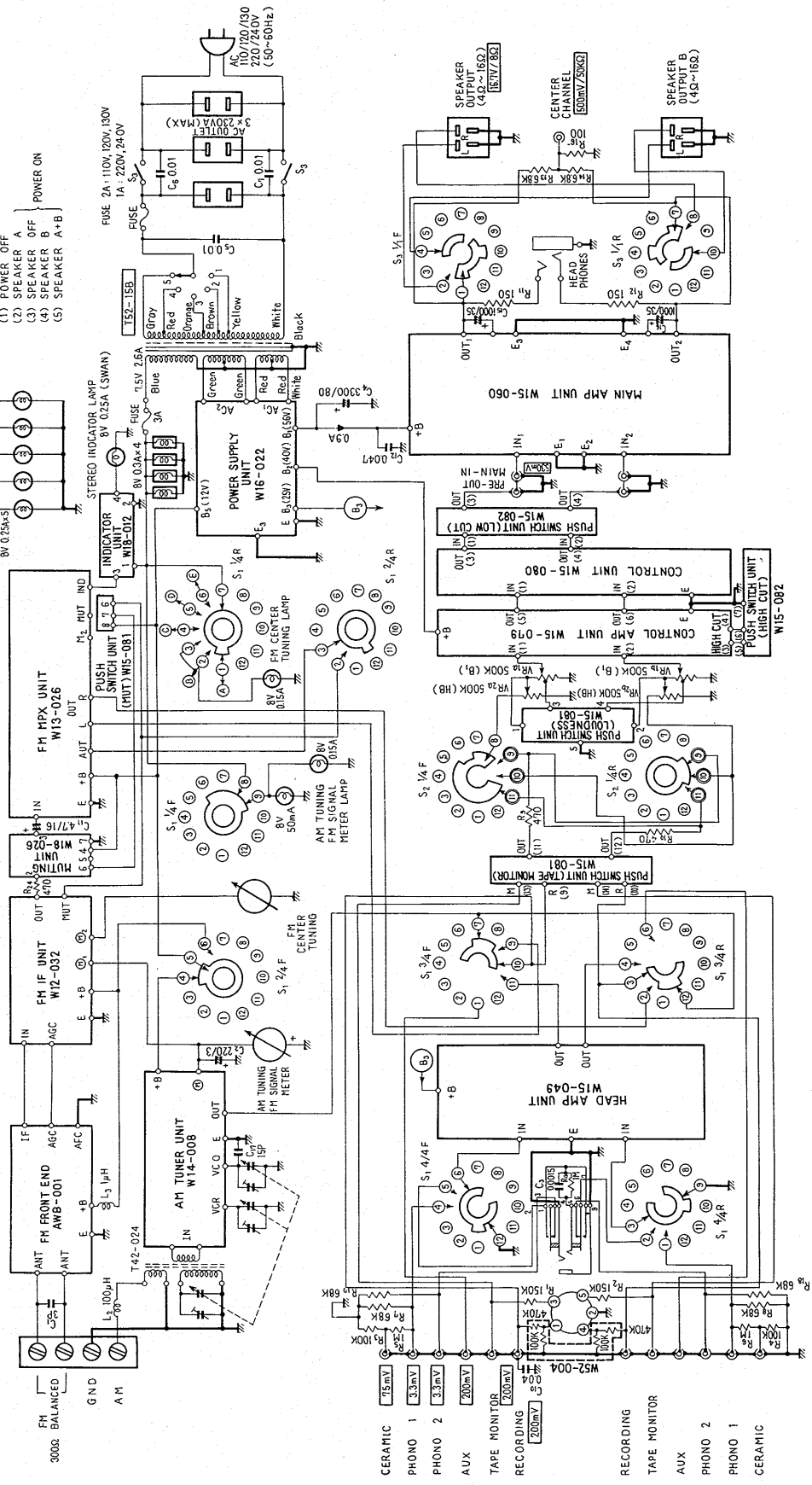
SX-990 for KUW model



SX-990 for FVZW model

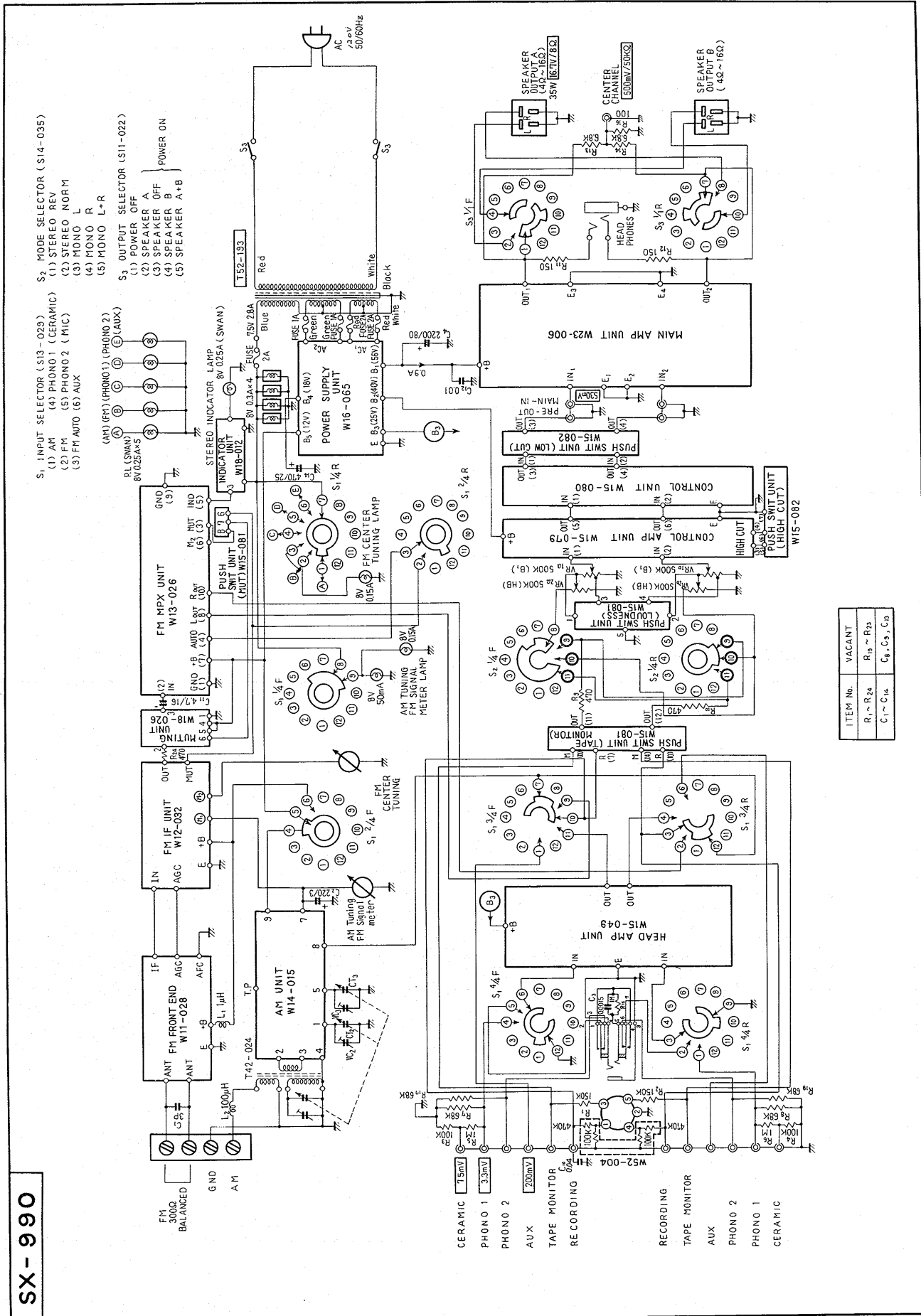
SX-990

- S<sub>1</sub> INPUT SELECTOR**  
 (1) AM (2) PHONO 1 (CERAMIC)  
 (3) FM (4) PHONO 2 (LMIC)  
 (5) FM AUTO (6) AUX
- (AUX) (FM) (PHONO 1) (PHONO 2)  
 (3) (SWAN) (5) (AUX)
- S<sub>2</sub> MODE SELECTOR**  
 (1) STEREO REV  
 (2) STEREO NORM  
 (3) MONO L  
 (4) MONO R  
 (5) MONO L+R
- S<sub>3</sub> OUTPUT SELECTOR**  
 (1) POWER OFF  
 (2) SPEAKER A  
 (3) SPEAKER B  
 (4) SPEAKER A+B  
 (5) POWER ON

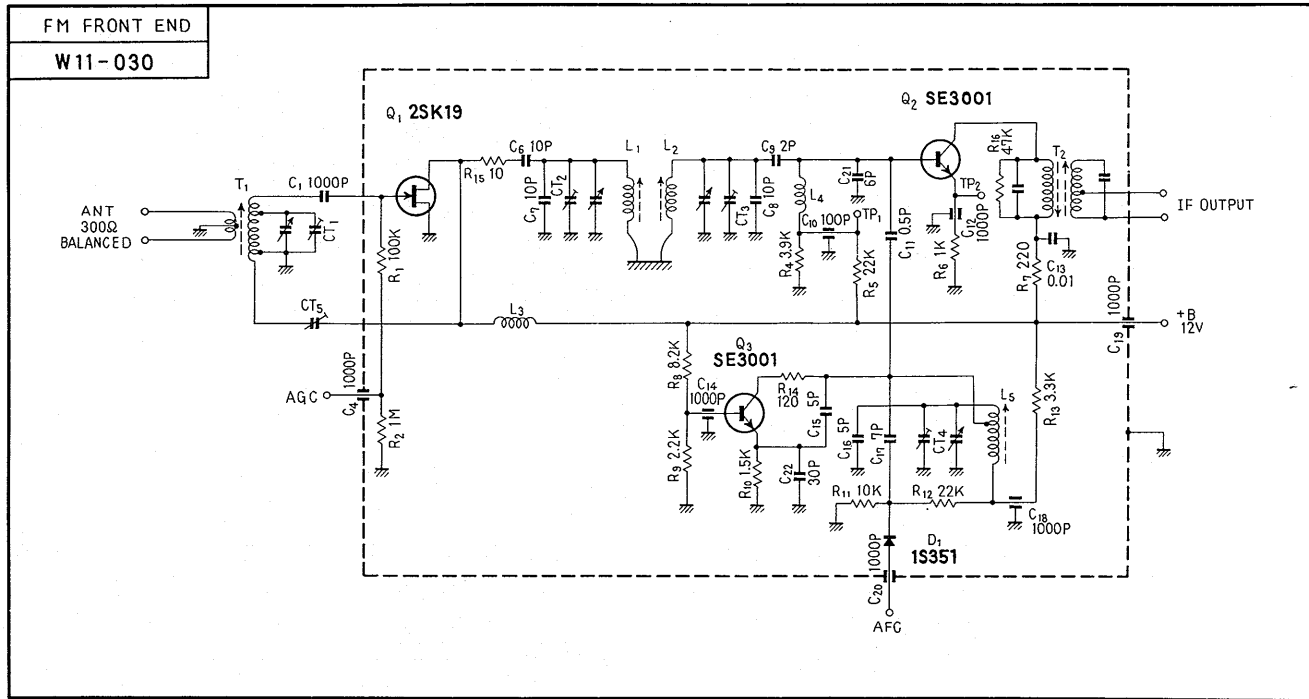


- CERAMIC** [ 75mV ]
- PHONO 1** [ 3.3mV ]
- PHONO 2** [ 3.3mV ]
- AUX** [ 200mV ]
- TAPE MONITOR** [ 200mV ]
- RECORDING** [ 200mV ]
- RECORDING TAPE MONITOR** [ 200mV ]
- PHONO 2**
- PHONO 1**
- CERAMIC**

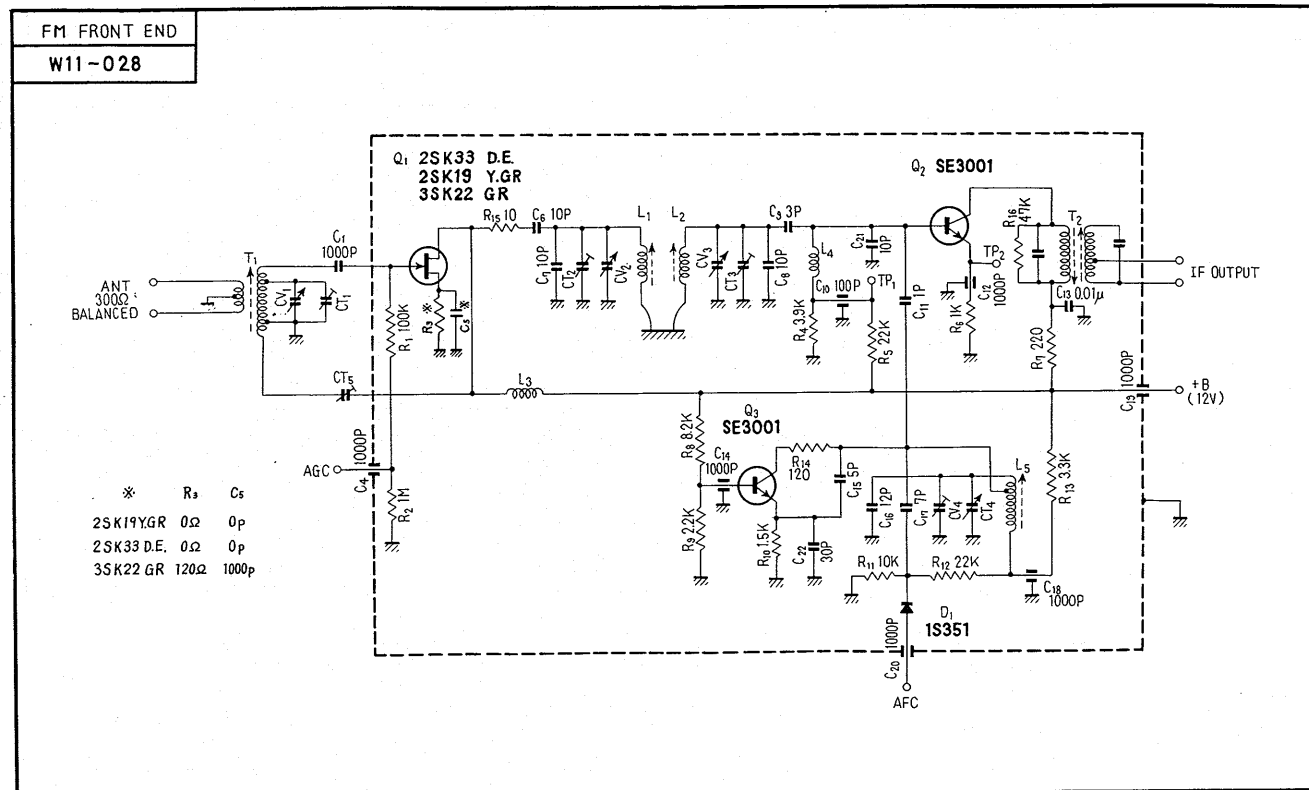
SX-990 for NBW model



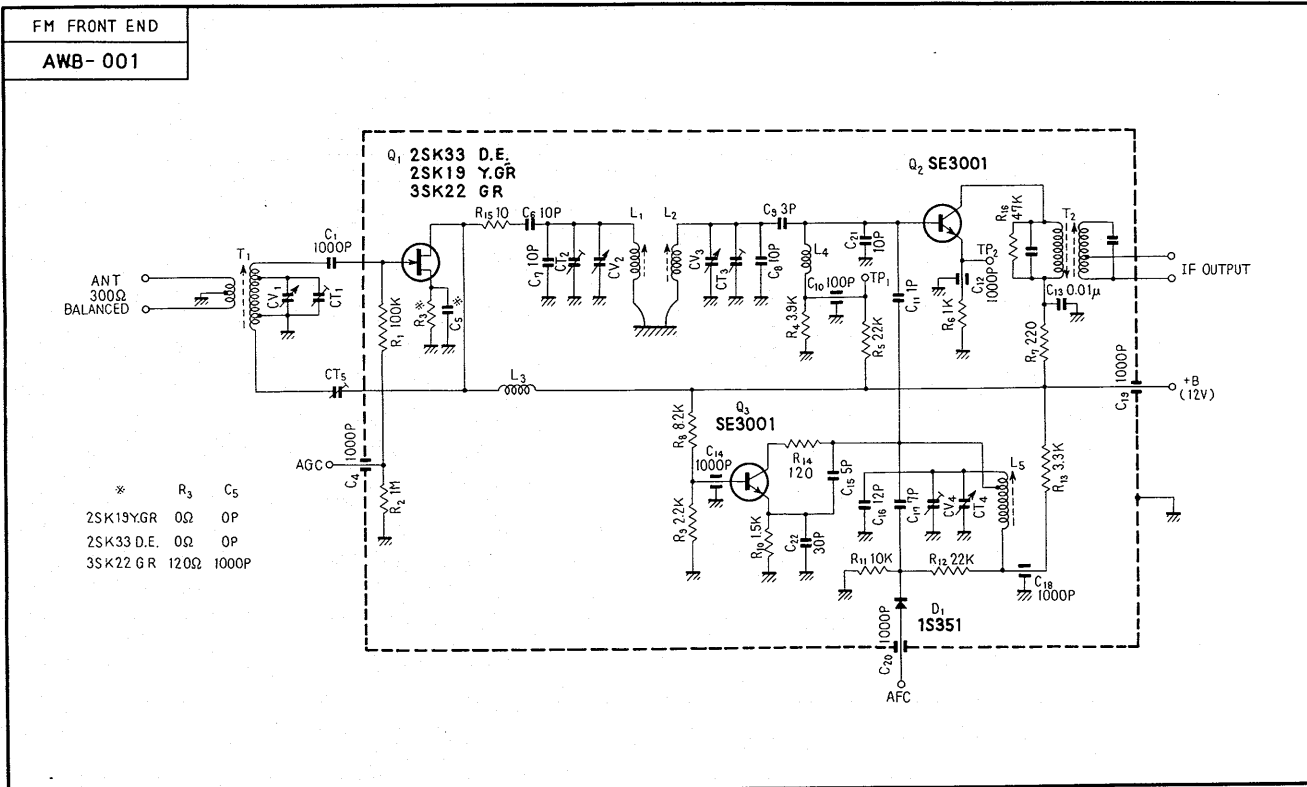
# FM FRONT END for FSAW model



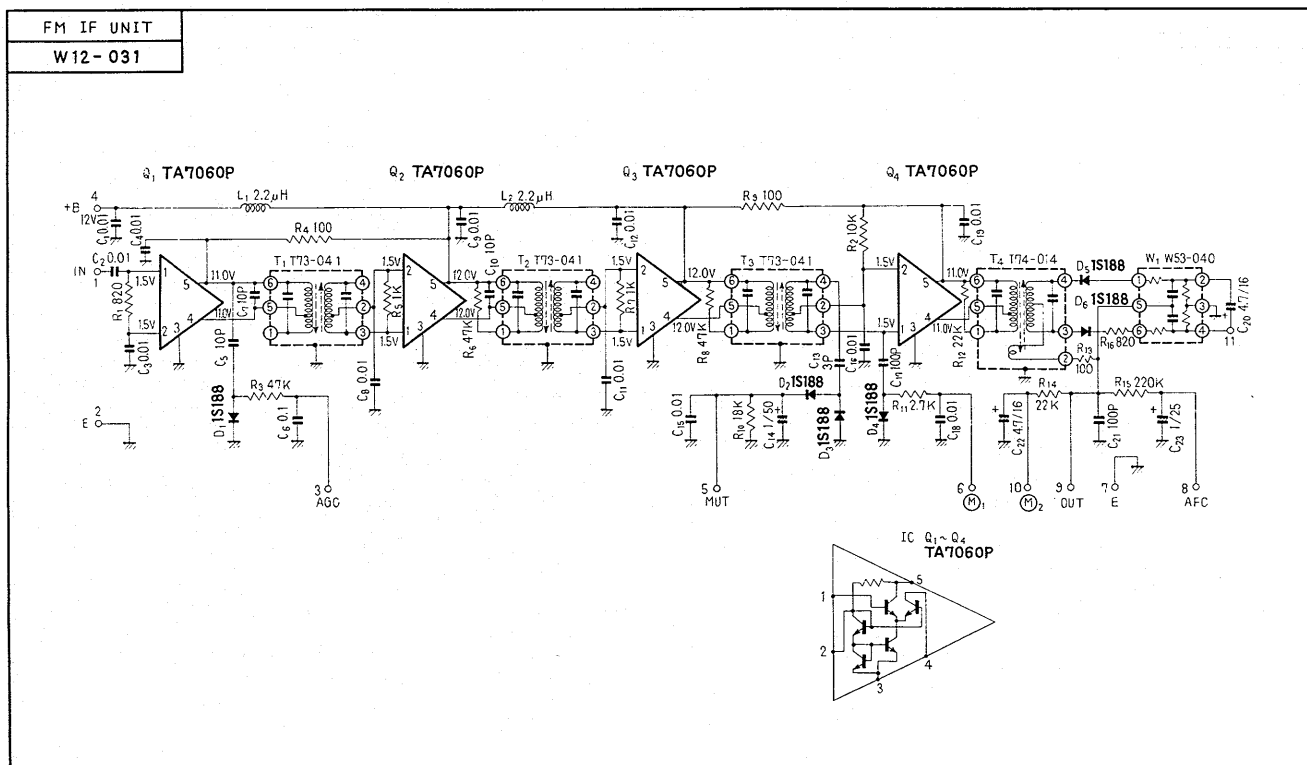
# FM FRONT END for FVW, KCW, KUW, NBW model



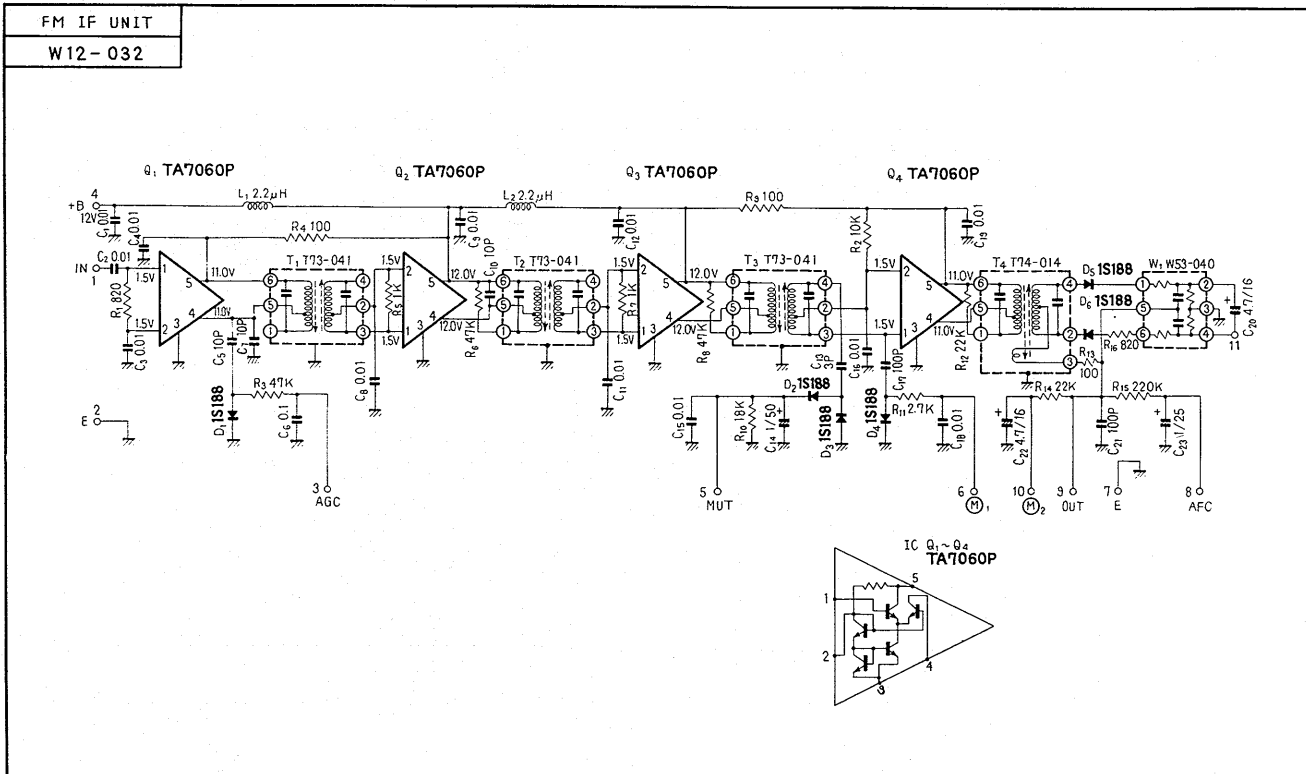
FM FRONT END for FVZW model



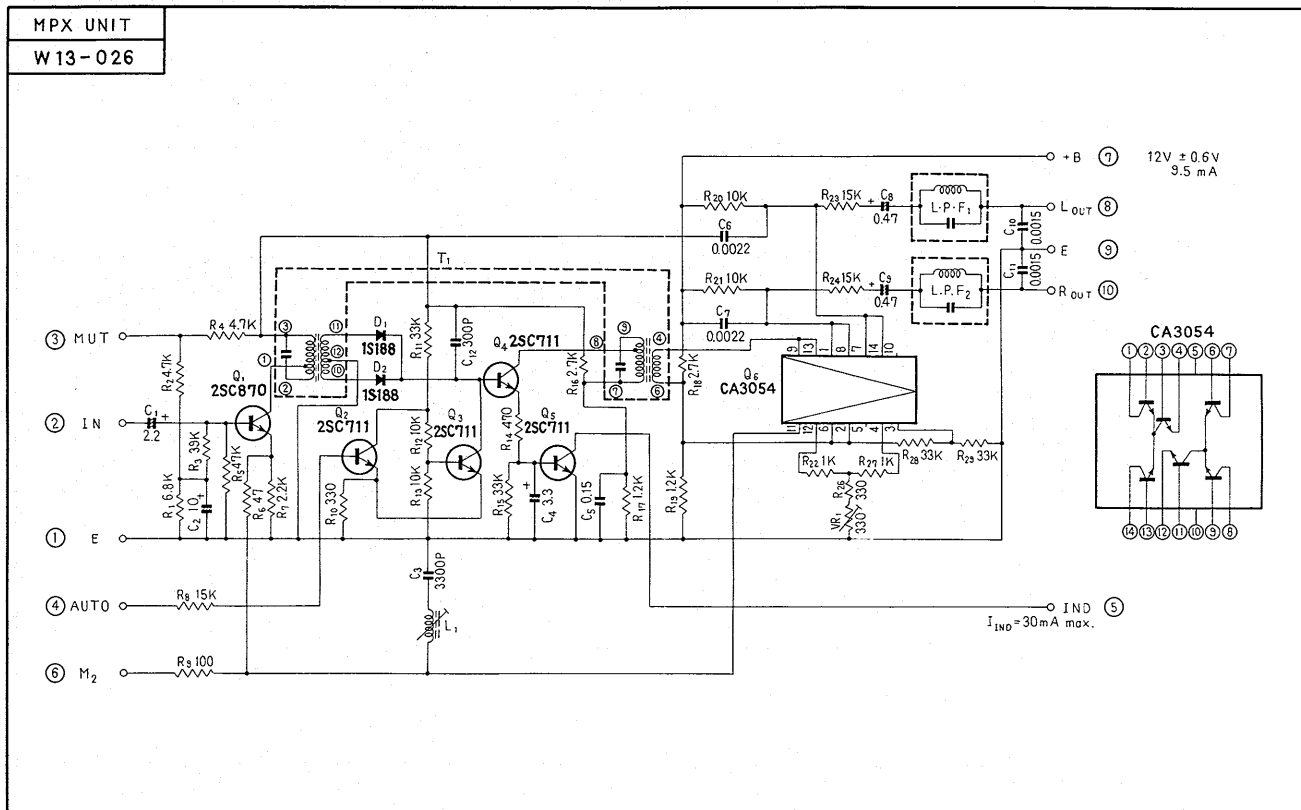
FM IF UNIT



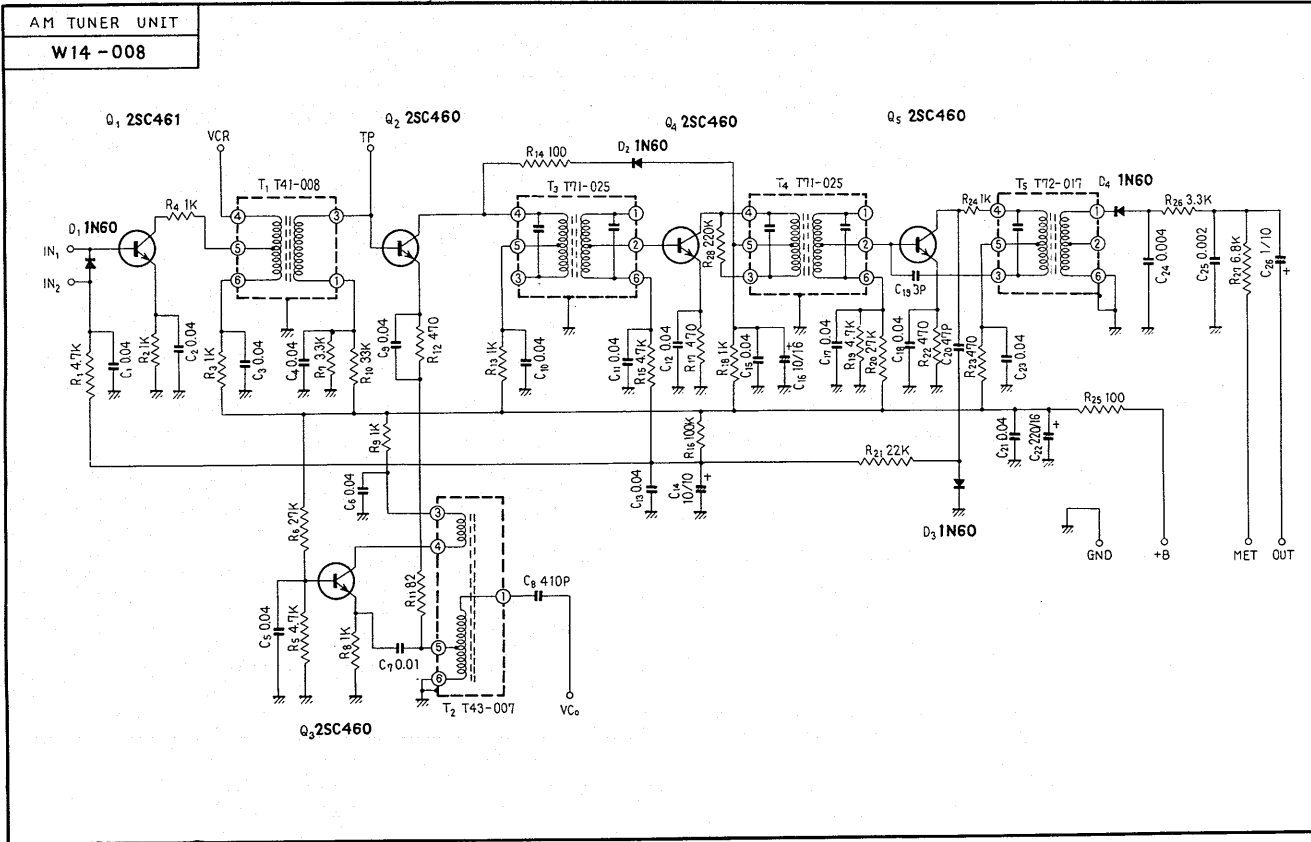
# FM IF UNIT for FVW, FVZW, KCW, KUW, NBW model



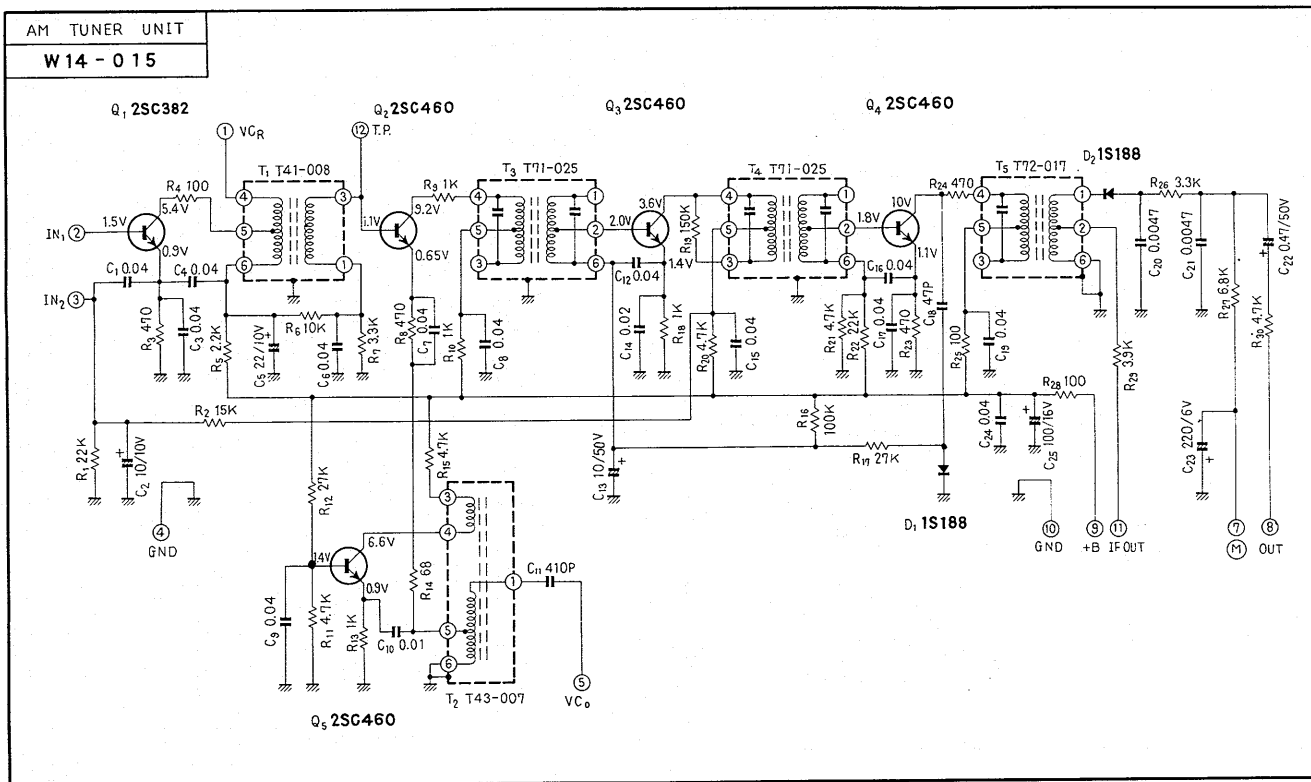
# MPX UNIT



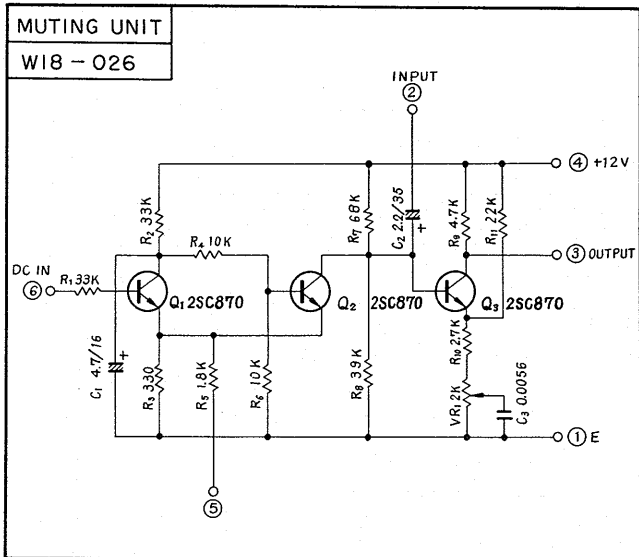
AM TUNER UNIT



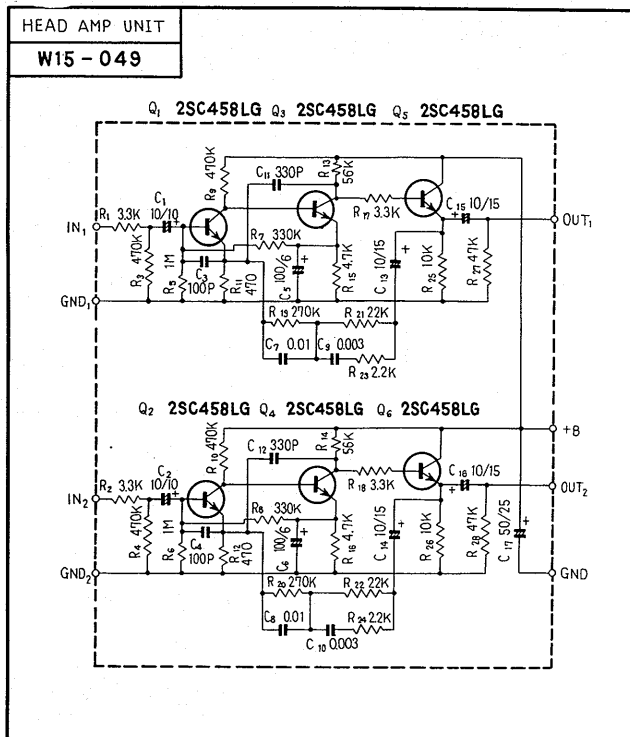
AM TUNER UNIT for NBW model



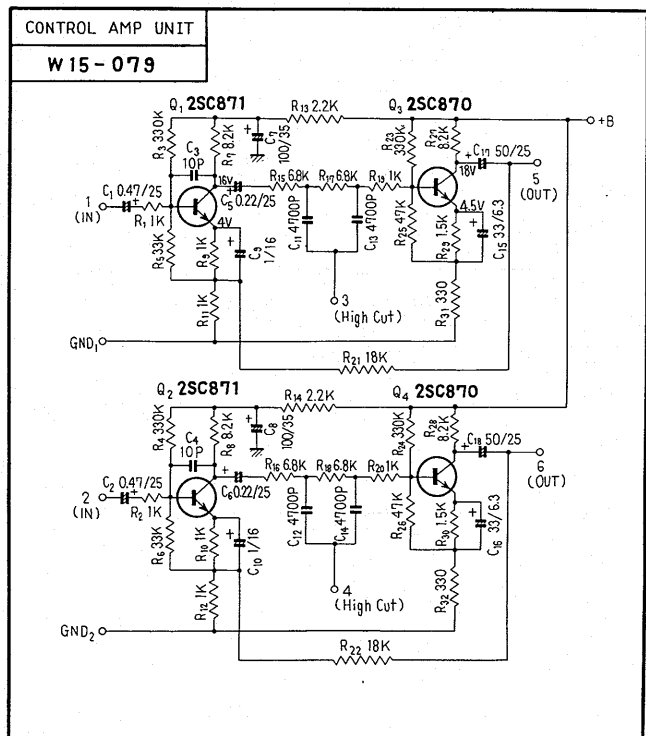
### MUTING UNIT



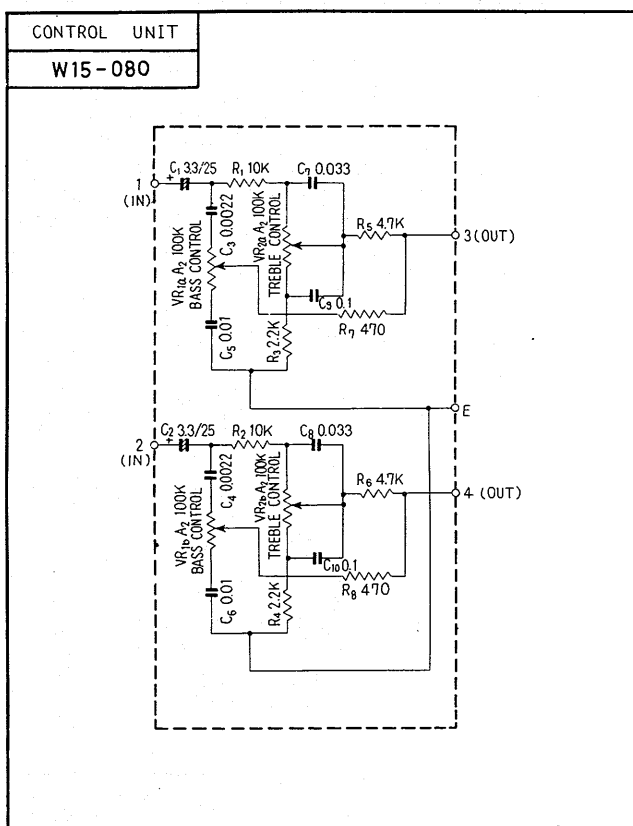
### HEAD AMP UNIT



### CONTROL AMP UNIT

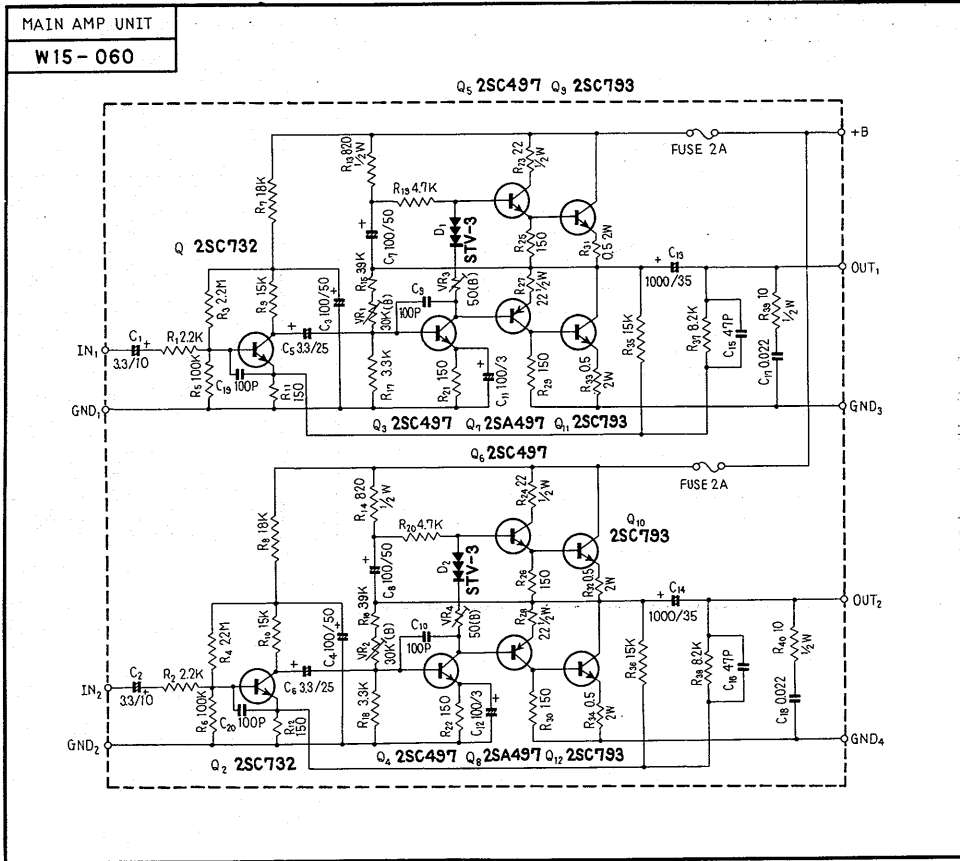


### CONTROL UNIT

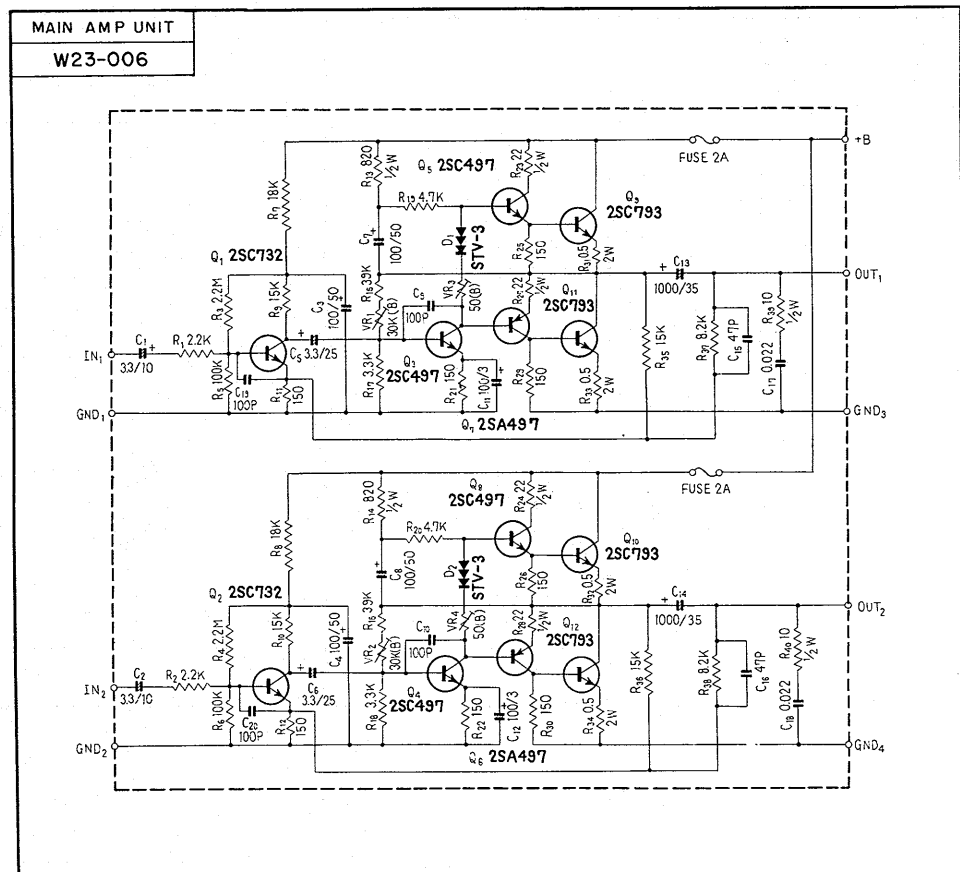




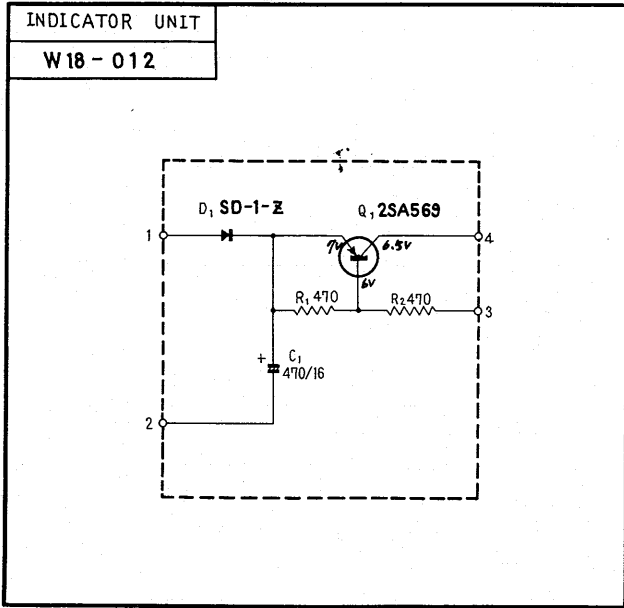
MAIN AMP UNIT



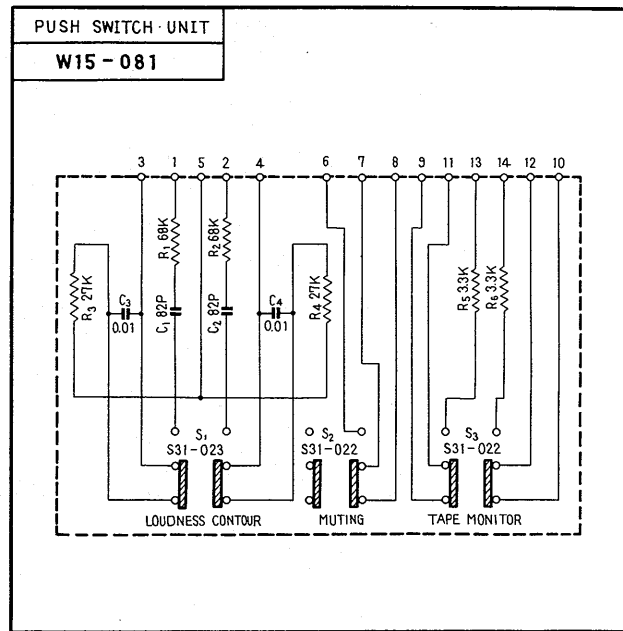
MAIN AMP UNIT for NBW model



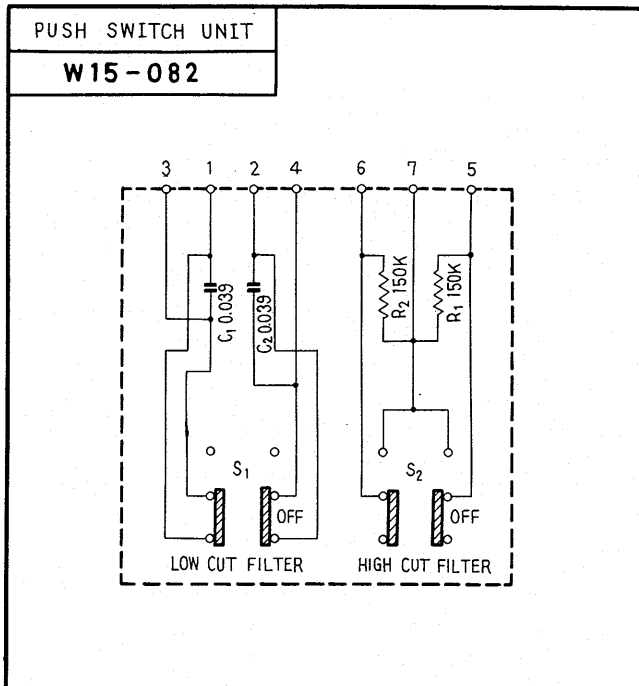
### INDICATOR UNIT



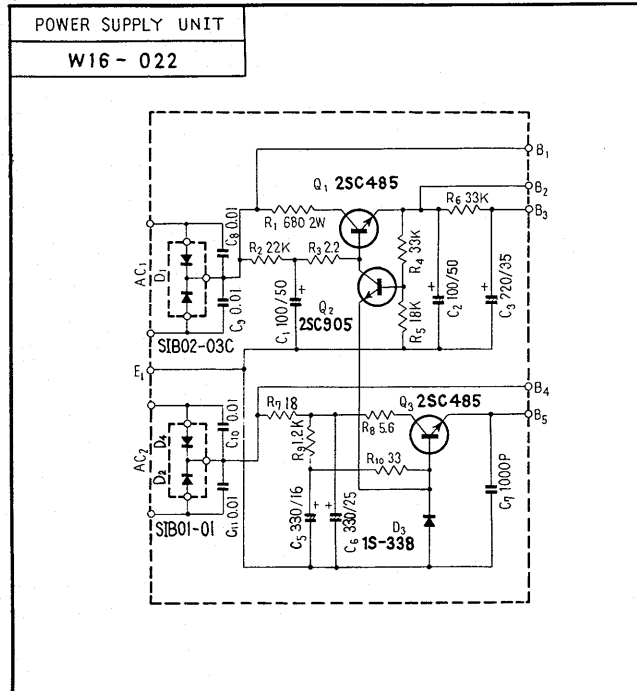
### PUSH SWITCH UNIT



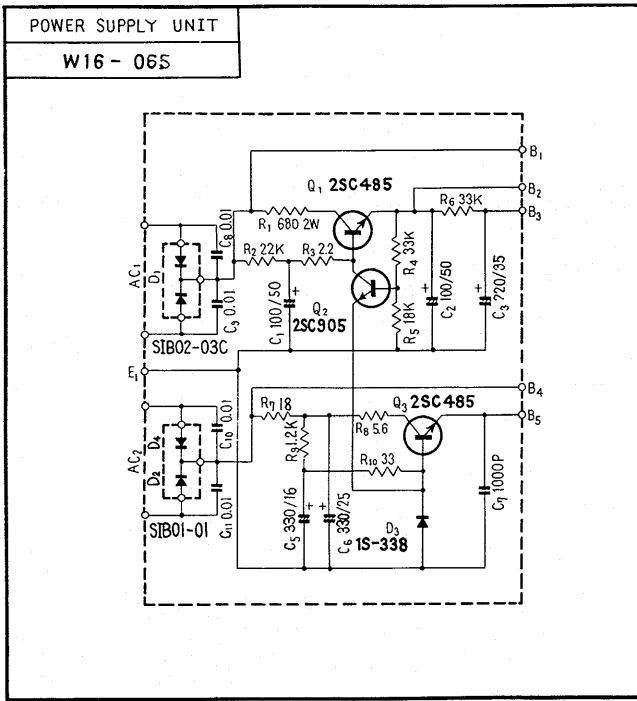
### PUSH SWITCH UNIT



### POWER SUPPLY UNIT



POWER SUPPLY UNIT for NBW model

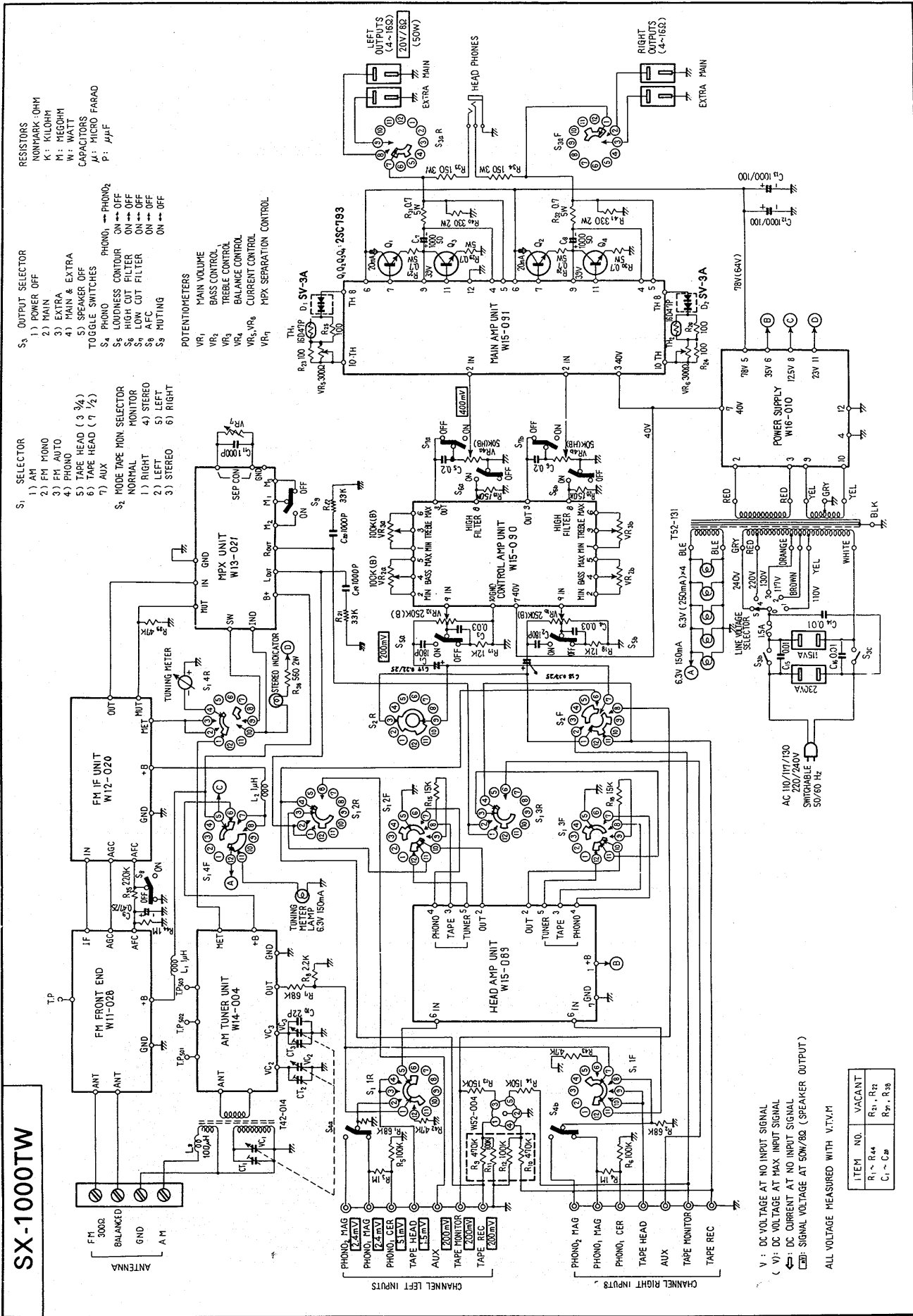


**AM/FM STEREO RECEIVER**  
**SX-1000TW**

UNIT	ROUND LABEL	FW					
FM FRONT END		W11-028					
FM IF UNIT		W12-020					
MPX UNIT		W13-021					
AM TUNER UNIT		W14-004					
MUTING UNIT							
HEAD AMP UNIT		W15-089					
CONTROL AMP UNIT		W15-090					
MAIN AMP UNIT		W15-091					
POWER SUPPLY UNIT		W16-010					
SWITCH UNIT							
SWITCH UNIT							
SWITCH UNIT							
TONE COLOR UNIT							
CONTROL UNIT							
MIC AMP UNIT							
REVERBE AMP UNIT							
REVERBE UNIT							



# Model SX-1000TW



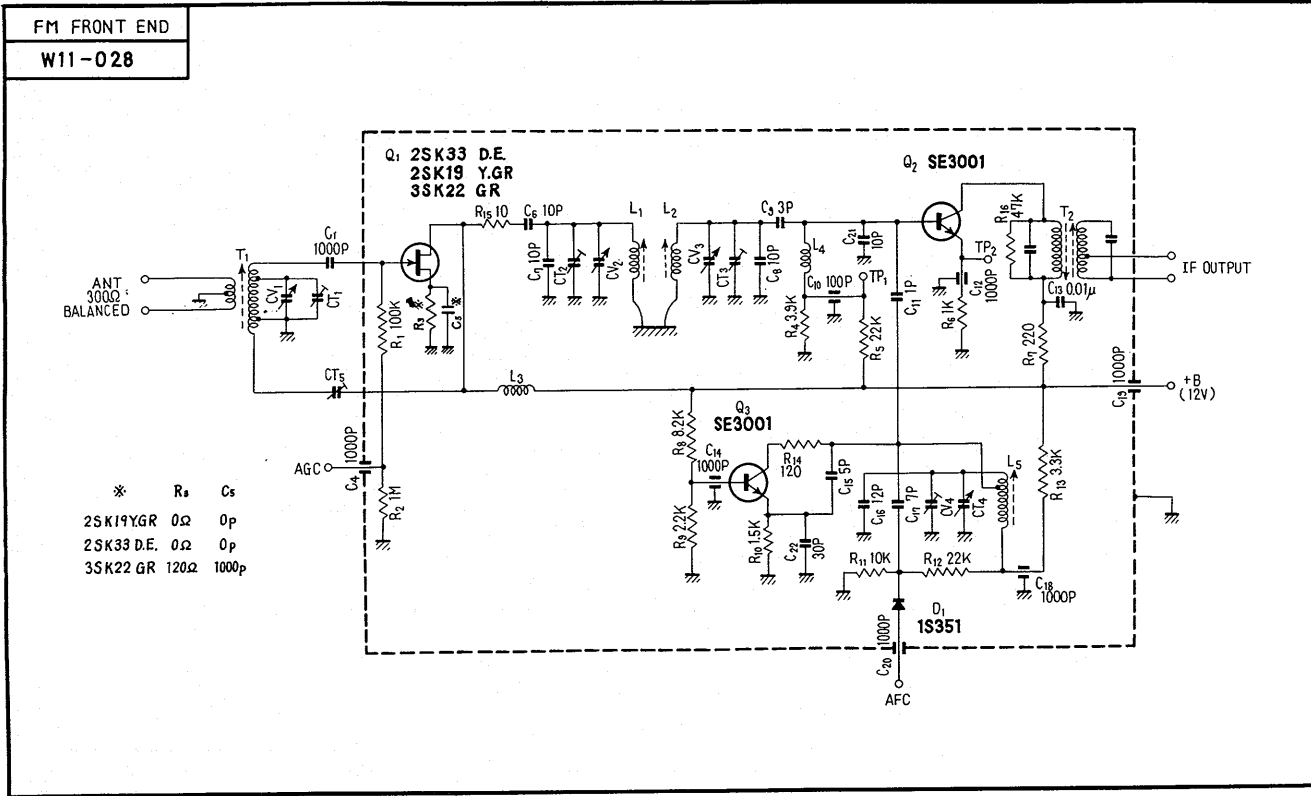
## SX-1000TW

- RESISTORS**  
 NONHARK-OHM  
 K: KILOHM  
 M: MEGOHM  
 W: WATT  
 CAPACITORS  
 μ: MICRO FARAD  
 P: μμF
- S<sub>1</sub> SELECTOR**  
 1) AM  
 2) FM MONO  
 3) FM AUTO  
 4) PHONO  
 5) TAPE HEAD (3 3/4)  
 6) TAPE HEAD (7 1/2)  
 7) AUX
- S<sub>2</sub> HOPE TAPE MON. SELECTOR**  
 1) RIGHT  
 2) LEFT  
 3) STEREO  
 4) STEREO  
 5) LEFT  
 6) RIGHT
- S<sub>3</sub> OUTPUT SELECTOR**  
 1) POWER OFF  
 2) MAIN  
 3) EXTRA  
 4) MAIN & EXTRA  
 5) SPEAKER OFF
- TOGGLE SWITCHES**  
 PHONO, PHONO  
 S<sub>4</sub> PHONO ON → OFF  
 S<sub>5</sub> LOUDNESS CONTROL ON → OFF  
 S<sub>6</sub> HIGH CUT FILTER ON → OFF  
 S<sub>7</sub> LOW CUT FILTER ON → OFF  
 S<sub>8</sub> AFC ON → OFF  
 S<sub>9</sub> MUTING ON → OFF
- POTENTIOMETERS**  
 VR<sub>1</sub> MAIN VOLUME  
 VR<sub>2</sub> BASS CONTROL  
 VR<sub>3</sub> TREBLE CONTROL  
 VR<sub>4</sub> BALANCE CONTROL  
 VR<sub>5</sub>, VR<sub>6</sub> CURRENT CONTROL  
 VR<sub>7</sub> MPX SEPARATION CONTROL

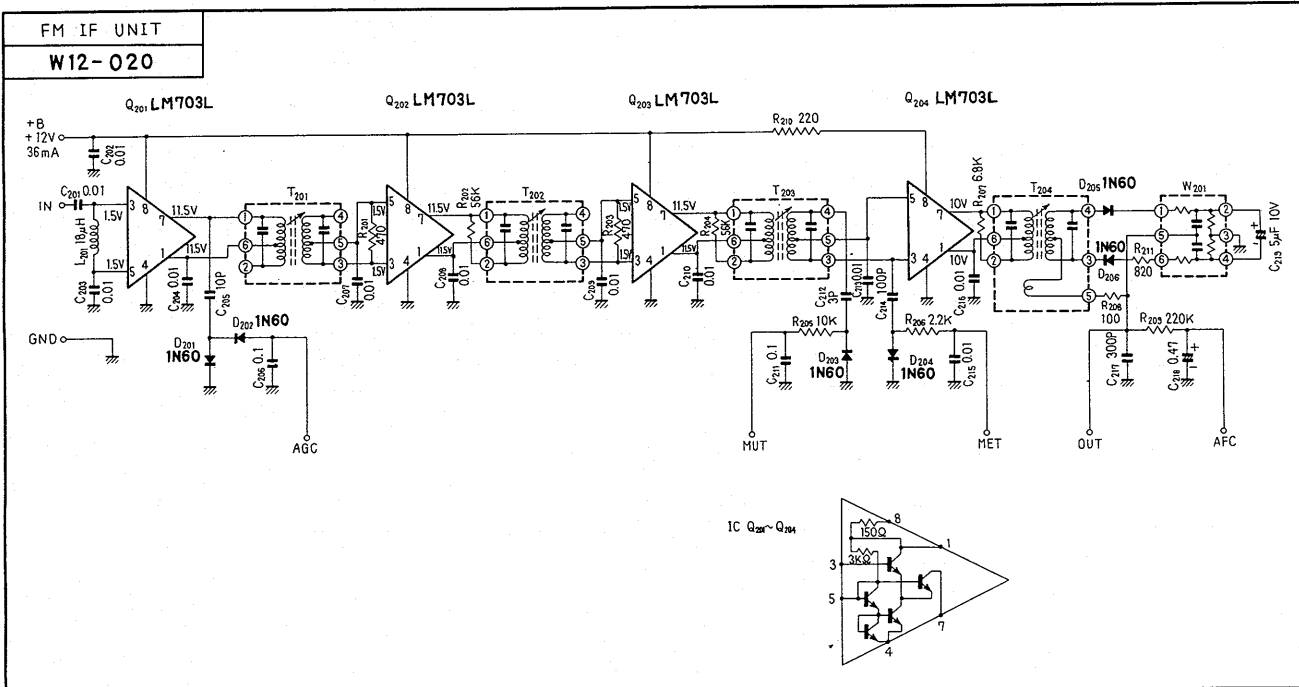
V : DC VOLTAGE AT NO INPUT SIGNAL  
 ( V ) : DC VOLTAGE AT MAX INPUT SIGNAL  
 ← : DC CURRENT AT NO INPUT SIGNAL  
 □ : SIGNAL VOLTAGE AT 50W/8Ω ( SPEAKER OUTPUT )  
 ALL VOLTAGE MEASURED WITH V.T.M.

ITEM NO.	VACANT
R <sub>1</sub> - R <sub>44</sub>	
C <sub>1</sub> - C <sub>10</sub>	

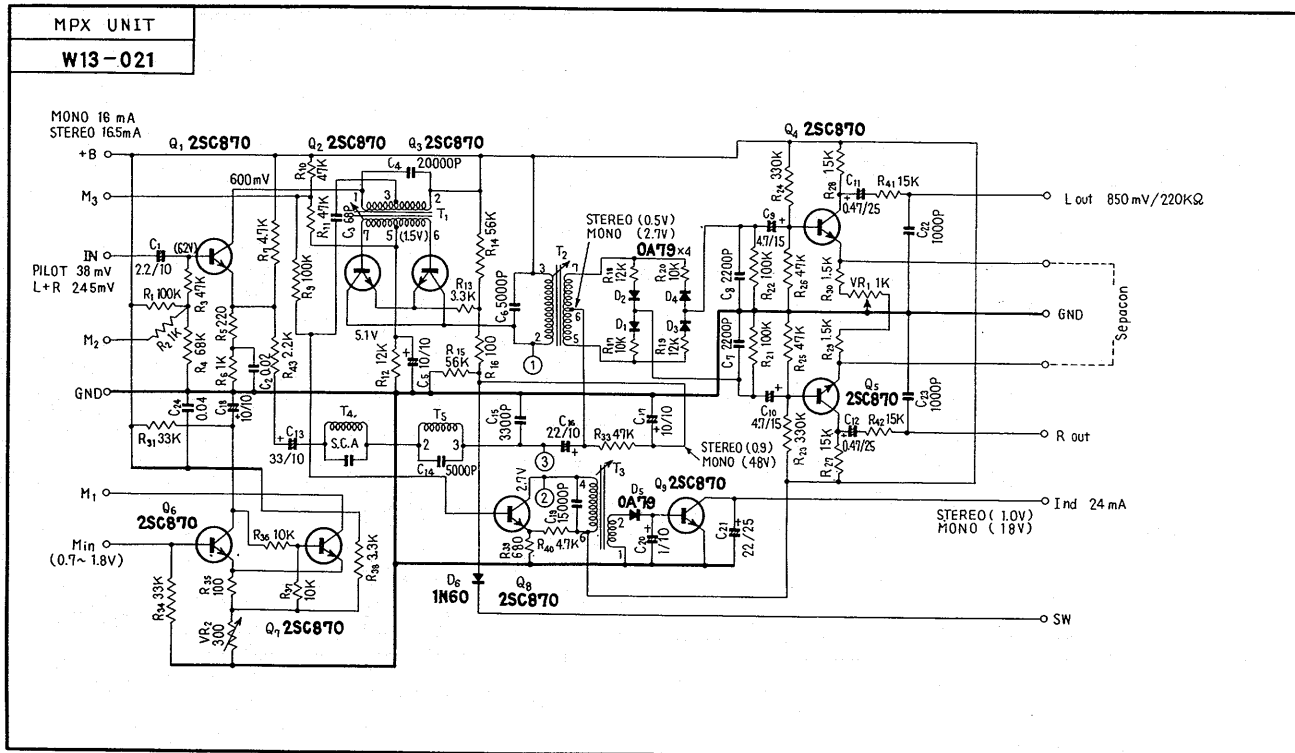
FM FRONT END



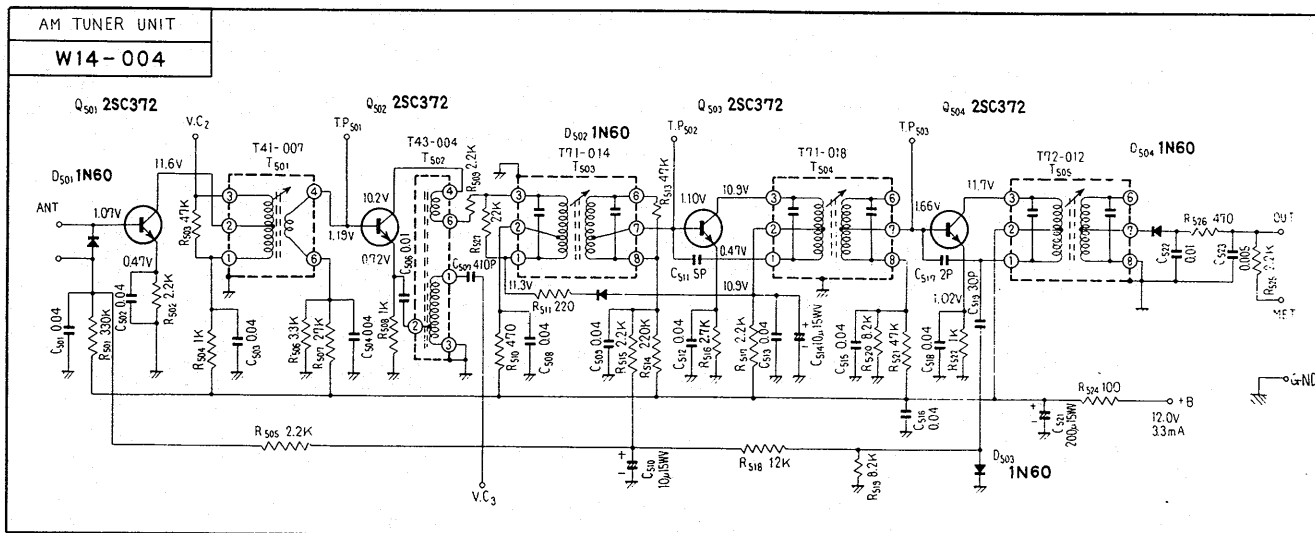
FM IF UNIT



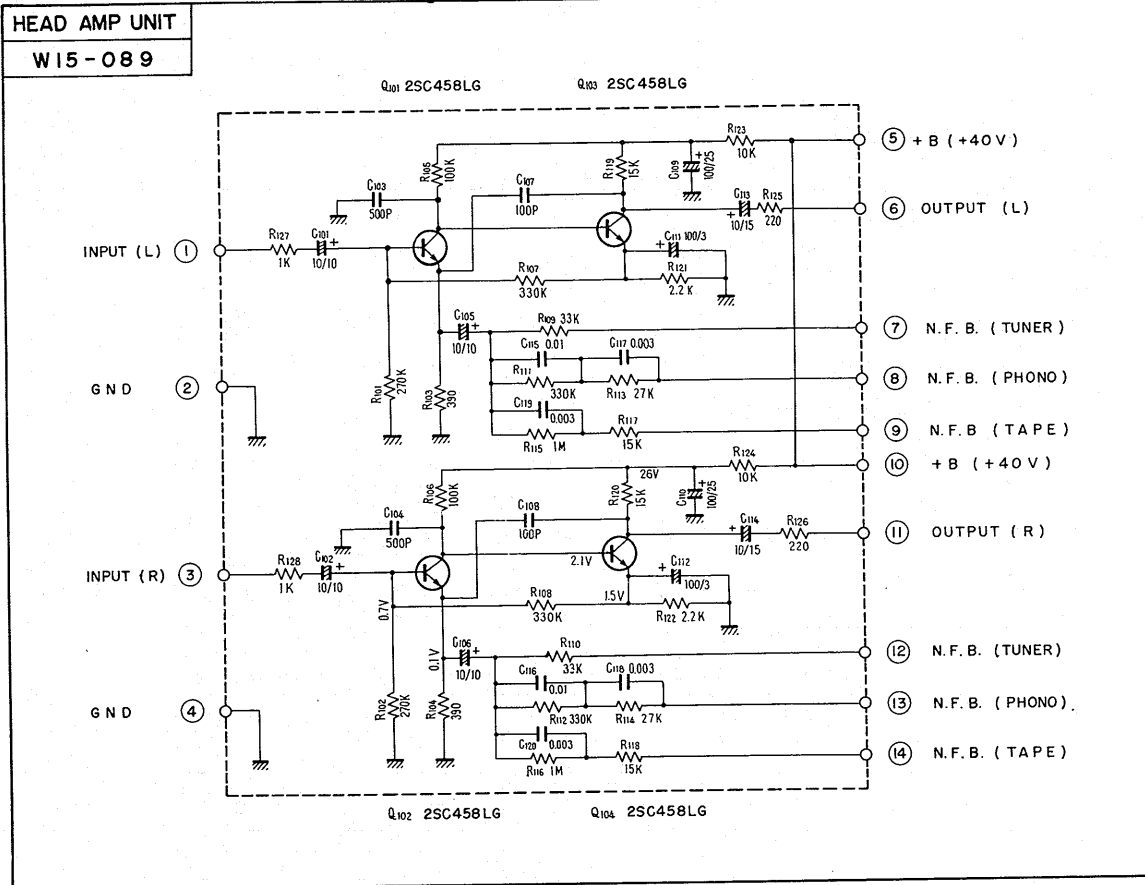
# MPX UNIT



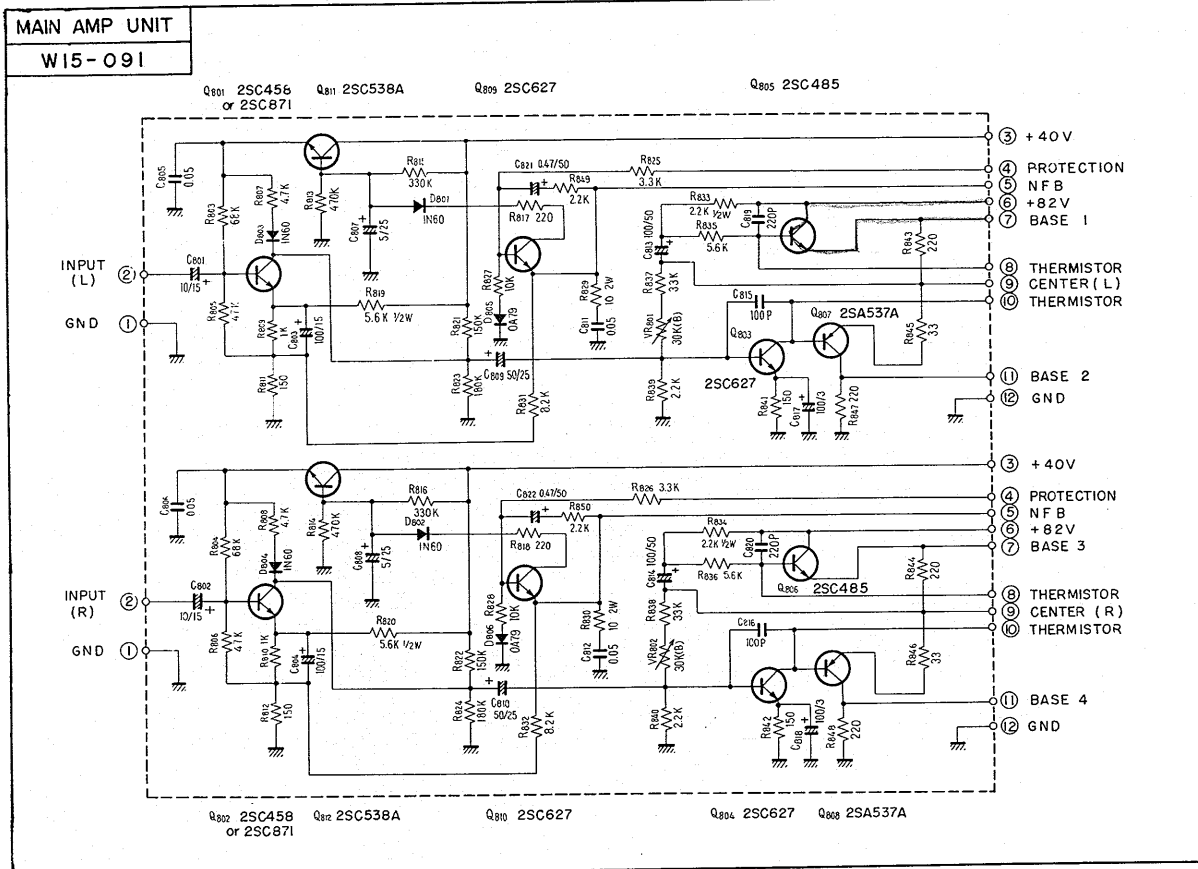
# AM TUNER UNIT



HEAD AMP UNIT

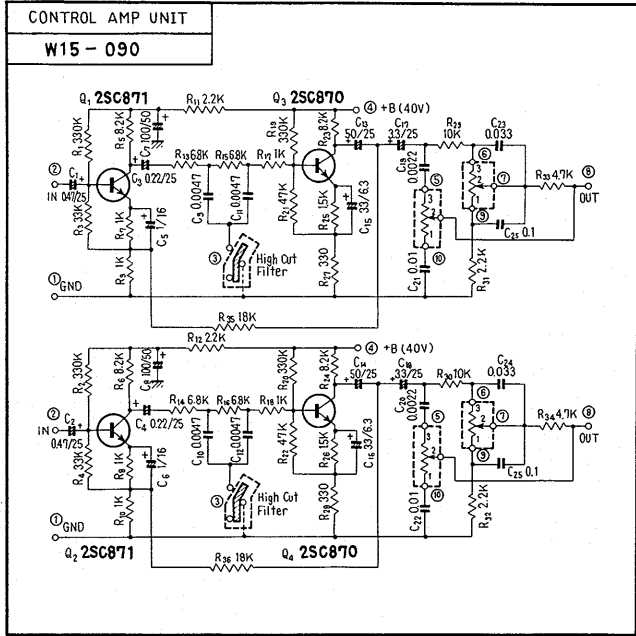


MAIN AMP UNIT

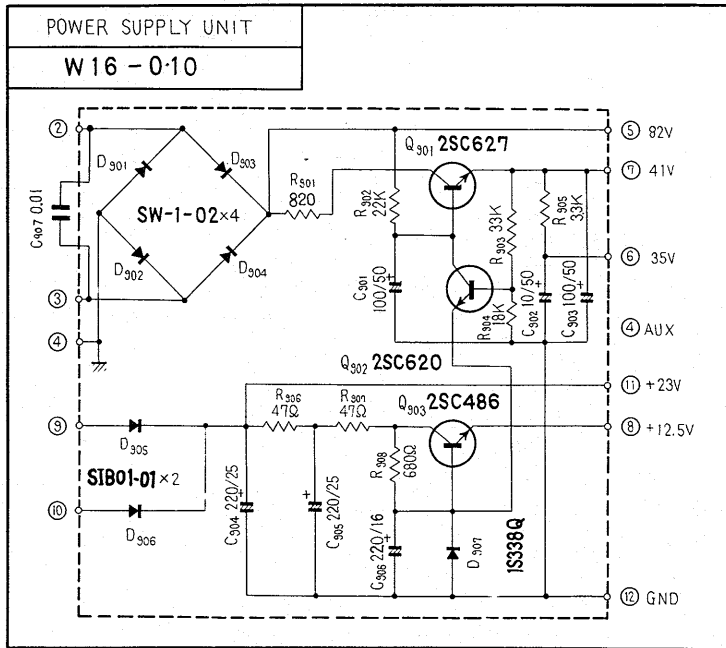




# CONTROL AMP UNIT



# POWER SUPPLY UNIT



**AM/FM STEREO RECEIVER**  
**SX-1500TD**

ROUND LABEL UNIT	FVZW	FW	KLW			
<b>TUNER UNIT</b>						
<b>FM FRONT END</b>	AWB-001	W11-028	W11-028			
<b>FM IF UNIT</b>	W12-032	W12-032	W12-032			
<b>MPX UNIT</b>	W13-026	W13-026	W13-026			
<b>AM TUNER UNIT</b>	W14-008	W14-008	W14-008			
<b>MUTING UNIT</b>	W18-026	W18-026	W18-026			
<b>HEAD AMP UNIT</b>	W21-001	W21-001	W21-001			
<b>CONTROL AMP UNIT</b>	W15-079	W15-079	W15-079			
<b>MAIN AMP UNIT</b>	W23-002	W23-002	W23-002			
<b>POWER SUPPLY UNIT</b>	W16-026	W16-026	W16-026			
<b>SWITCH UNIT</b>	W15-081	W15-081	W15-081			
<b>SWITCH UNIT</b>	W15-082	W15-082	W15-082			
<b>SWITCH UNIT</b>						
<b>TONE COLOR UNIT</b>						
<b>CONTROL UNIT</b>	W15-080	W15-080	W15-080			
<b>MIC AMP UNIT</b>	W15-106	W15-106	W15-106			
<b>REVERBE AMP UNIT</b>						
<b>REVERBE UNIT</b>						
<b>INDICATOR UNIT</b>	W18-012	W18-012	W18-012			



**SX-1500TD**

- S<sub>1</sub> INPUT SELECTOR**  
 (1) AM (2) FM (3) FM AUTO (4) PHONO 1 (5) PHONO 2 (6) AUX
- MODE SELECTOR**  
 (1) STEREO REV (2) STEREO NORM (3) MONO L (4) MONO R (5) MONO L+R (6) POWER OFF (7) SPEAKER A (8) SPEAKER B (9) SPEAKER A+B (10) SPEAKER A+C (11) STEREO REVERSE (12) INTERGROUPED

- S<sub>2</sub> MODE SELECTOR**  
 (1) STEREO REV (2) STEREO NORM (3) MONO L (4) MONO R (5) MONO L+R (6) POWER OFF (7) SPEAKER A (8) SPEAKER B (9) SPEAKER A+B (10) SPEAKER A+C (11) STEREO REVERSE (12) INTERGROUPED

- S<sub>3</sub> OUTPUT SELECTOR**  
 (1) POWER OFF (2) SPEAKER A (3) SPEAKER B (4) SPEAKER A+B (5) SPEAKER A+C (6) STEREO REVERSE (7) INTERGROUPED

- S<sub>4</sub> PRE & MAIN SELECTOR**  
 (1) STEREO REVERSE (2) INTERGROUPED

- S<sub>5</sub> PRE & MAIN SELECTOR**  
 (1) STEREO REVERSE (2) INTERGROUPED

- S<sub>6</sub> PRE & MAIN SELECTOR**  
 (1) STEREO REVERSE (2) INTERGROUPED

- S<sub>7</sub> PRE & MAIN SELECTOR**  
 (1) STEREO REVERSE (2) INTERGROUPED

- S<sub>8</sub> PRE & MAIN SELECTOR**  
 (1) STEREO REVERSE (2) INTERGROUPED

- S<sub>9</sub> PRE & MAIN SELECTOR**  
 (1) STEREO REVERSE (2) INTERGROUPED

- S<sub>10</sub> PRE & MAIN SELECTOR**  
 (1) STEREO REVERSE (2) INTERGROUPED

- S<sub>11</sub> PRE & MAIN SELECTOR**  
 (1) STEREO REVERSE (2) INTERGROUPED

- S<sub>12</sub> PRE & MAIN SELECTOR**  
 (1) STEREO REVERSE (2) INTERGROUPED

- S<sub>13</sub> PRE & MAIN SELECTOR**  
 (1) STEREO REVERSE (2) INTERGROUPED

- S<sub>14</sub> PRE & MAIN SELECTOR**  
 (1) STEREO REVERSE (2) INTERGROUPED

- S<sub>15</sub> PRE & MAIN SELECTOR**  
 (1) STEREO REVERSE (2) INTERGROUPED

- S<sub>16</sub> PRE & MAIN SELECTOR**  
 (1) STEREO REVERSE (2) INTERGROUPED

- S<sub>17</sub> PRE & MAIN SELECTOR**  
 (1) STEREO REVERSE (2) INTERGROUPED

- S<sub>18</sub> PRE & MAIN SELECTOR**  
 (1) STEREO REVERSE (2) INTERGROUPED

- S<sub>19</sub> PRE & MAIN SELECTOR**  
 (1) STEREO REVERSE (2) INTERGROUPED

- S<sub>20</sub> PRE & MAIN SELECTOR**  
 (1) STEREO REVERSE (2) INTERGROUPED

- S<sub>21</sub> PRE & MAIN SELECTOR**  
 (1) STEREO REVERSE (2) INTERGROUPED

- S<sub>22</sub> PRE & MAIN SELECTOR**  
 (1) STEREO REVERSE (2) INTERGROUPED

- S<sub>23</sub> PRE & MAIN SELECTOR**  
 (1) STEREO REVERSE (2) INTERGROUPED

- S<sub>24</sub> PRE & MAIN SELECTOR**  
 (1) STEREO REVERSE (2) INTERGROUPED

- S<sub>25</sub> PRE & MAIN SELECTOR**  
 (1) STEREO REVERSE (2) INTERGROUPED

- S<sub>26</sub> PRE & MAIN SELECTOR**  
 (1) STEREO REVERSE (2) INTERGROUPED

- S<sub>27</sub> PRE & MAIN SELECTOR**  
 (1) STEREO REVERSE (2) INTERGROUPED

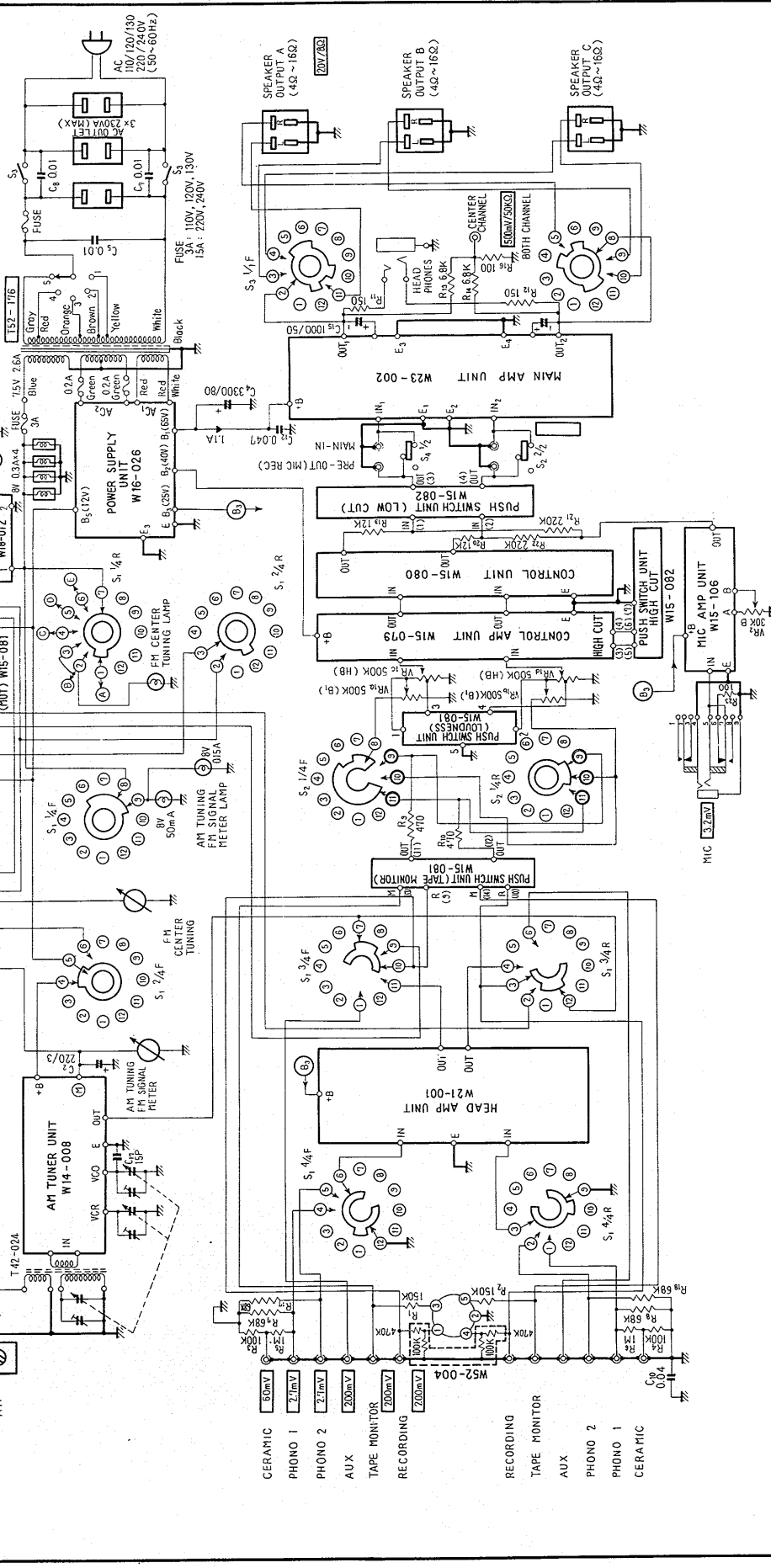
- S<sub>28</sub> PRE & MAIN SELECTOR**  
 (1) STEREO REVERSE (2) INTERGROUPED

- S<sub>29</sub> PRE & MAIN SELECTOR**  
 (1) STEREO REVERSE (2) INTERGROUPED

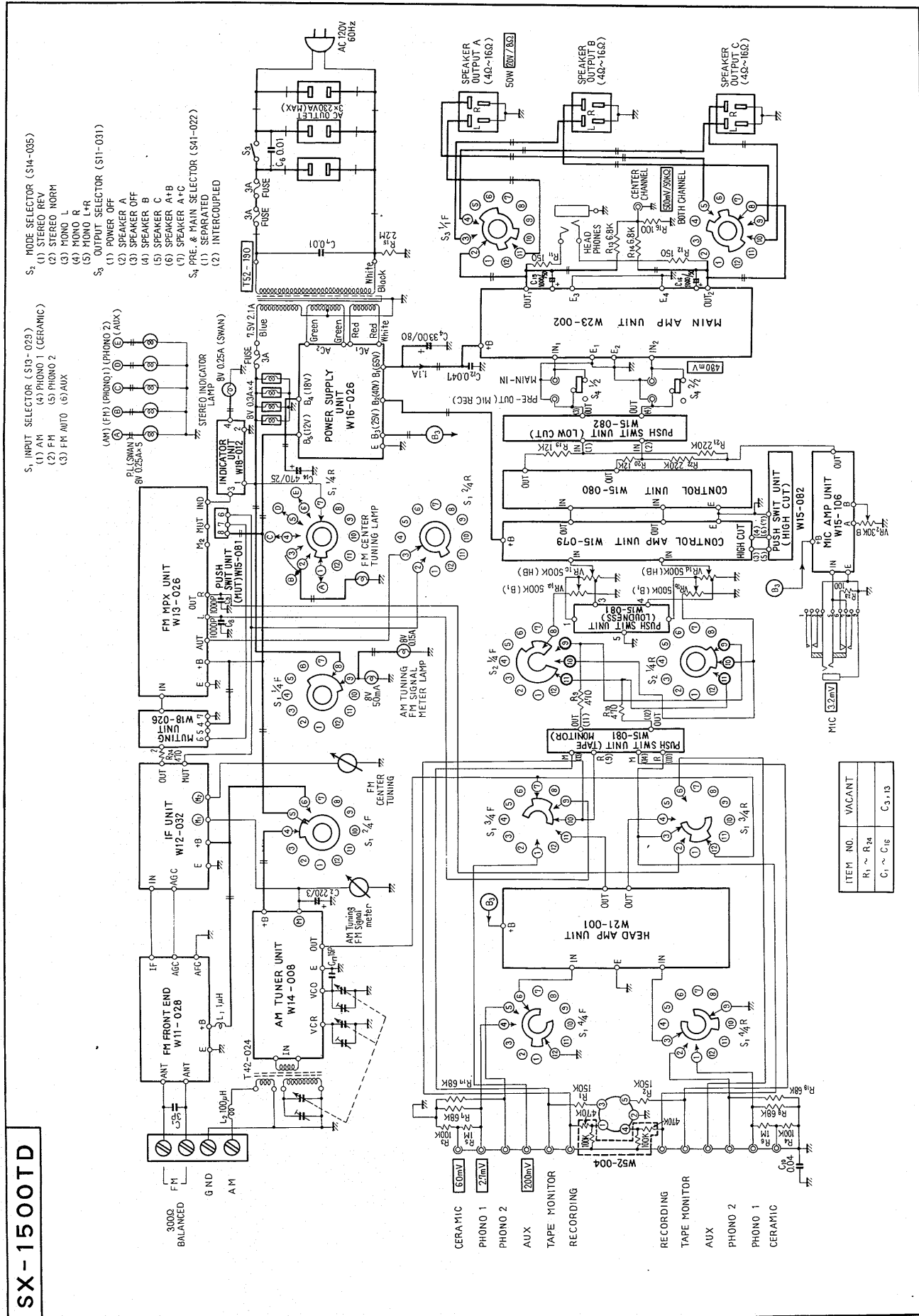
- S<sub>30</sub> PRE & MAIN SELECTOR**  
 (1) STEREO REVERSE (2) INTERGROUPED

- S<sub>31</sub> PRE & MAIN SELECTOR**  
 (1) STEREO REVERSE (2) INTERGROUPED

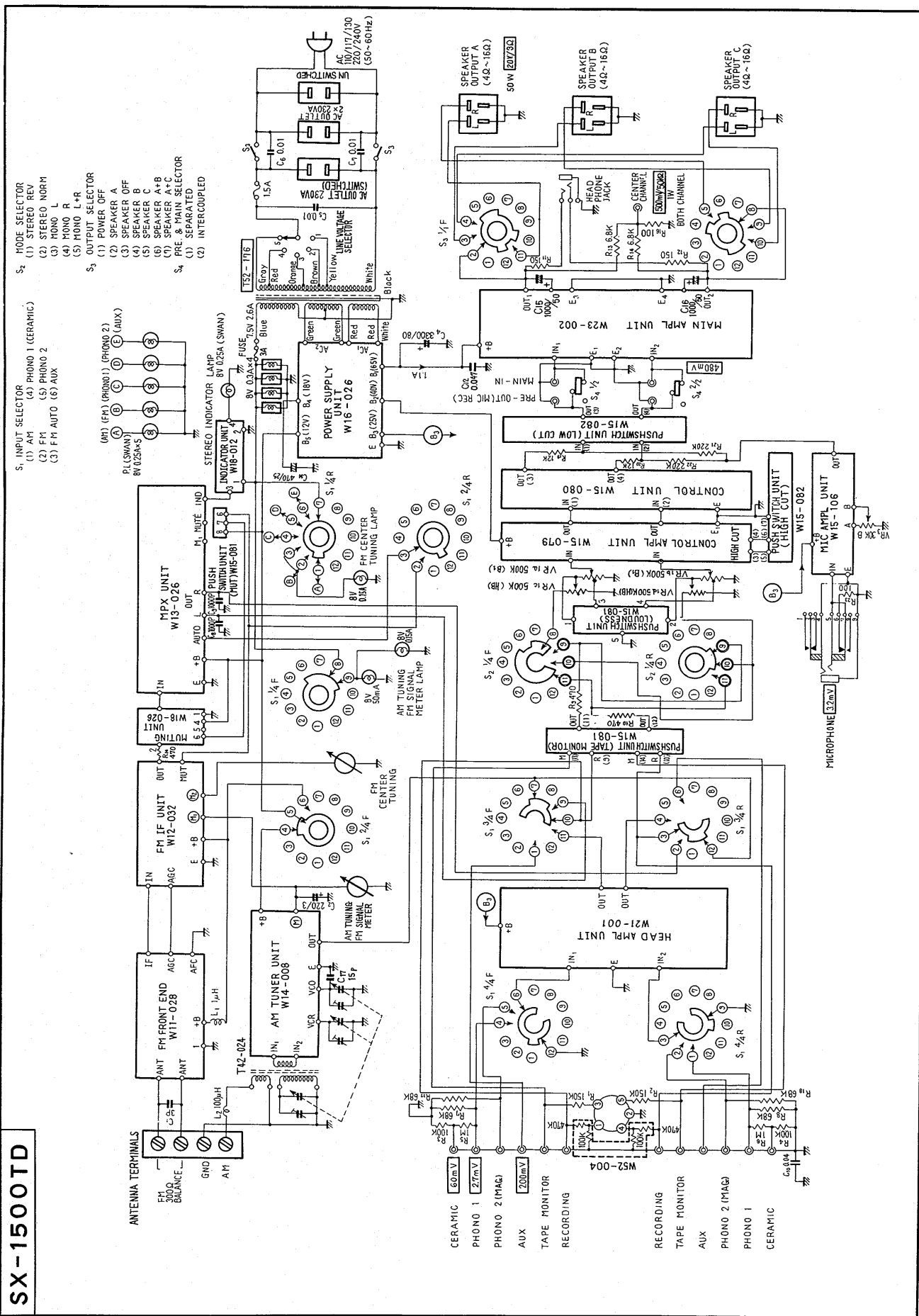
- S<sub>32</sub> PRE & MAIN SELECTOR**  
 (1) STEREO REVERSE (2) INTERGROUPED



SX-1500TD for KLW model

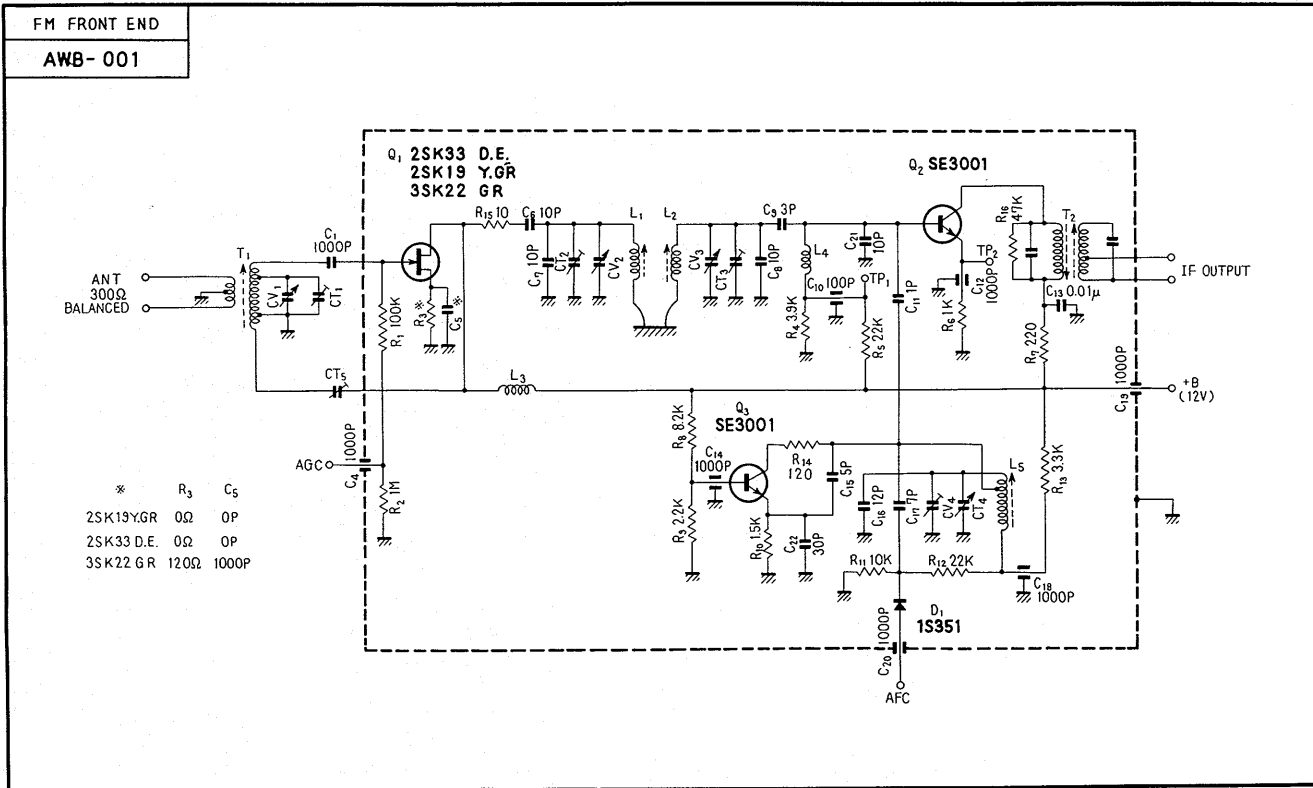


# SX-1500TD for FW model

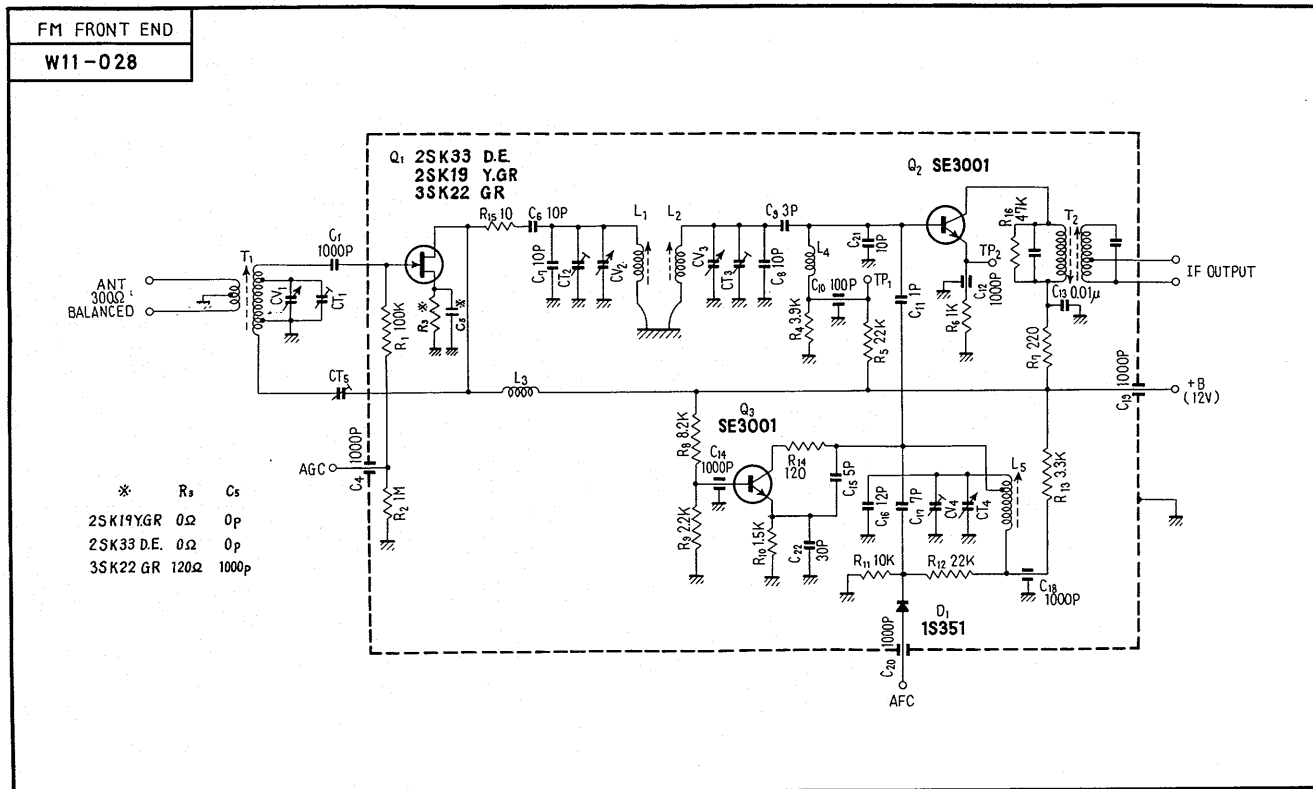


**SX-1500TD**

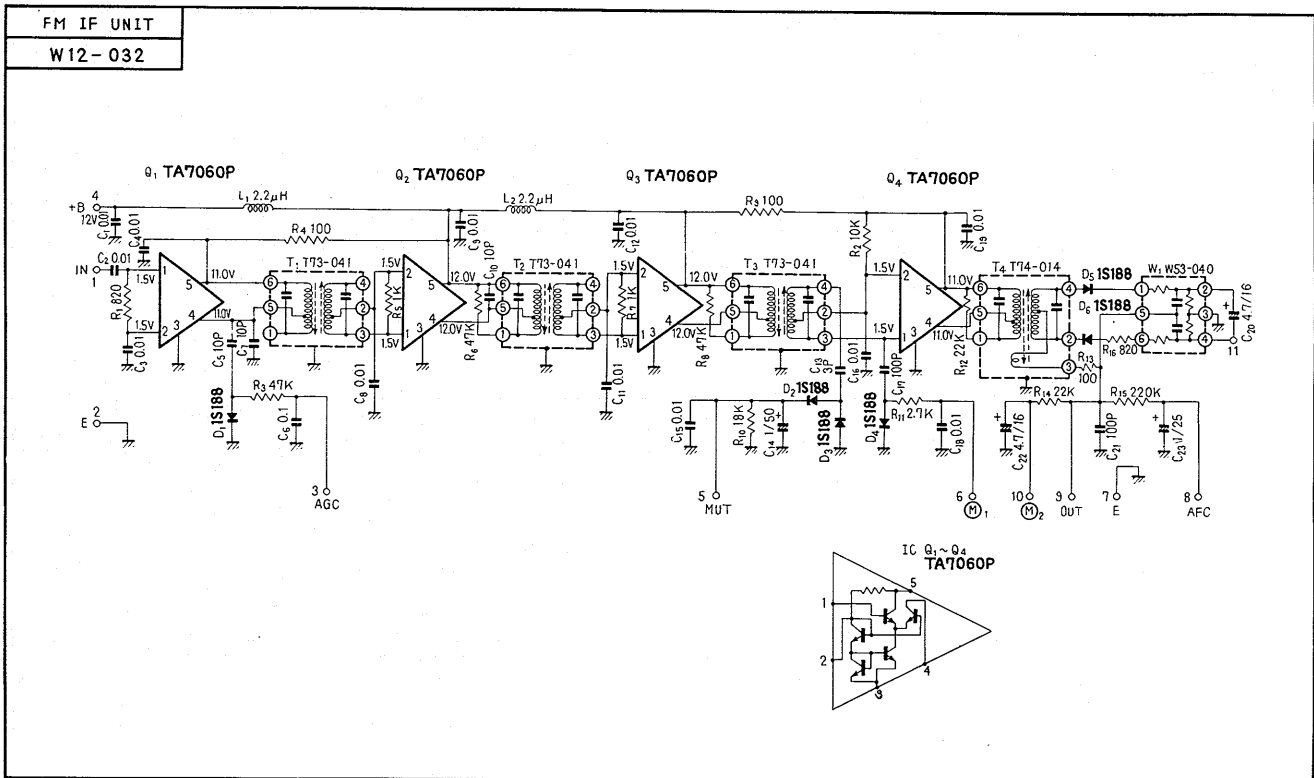
FM FRONT END



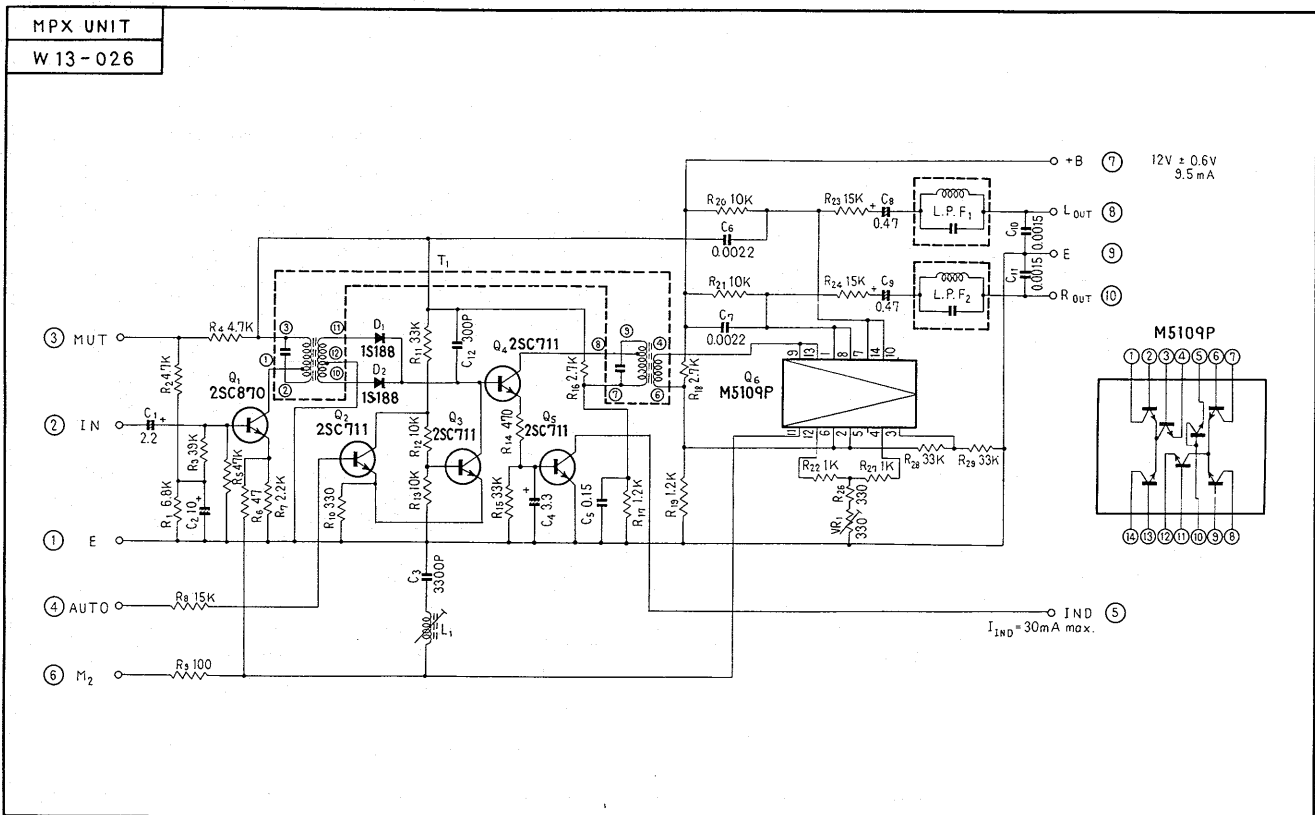
FM FRONT END for FW KLV model



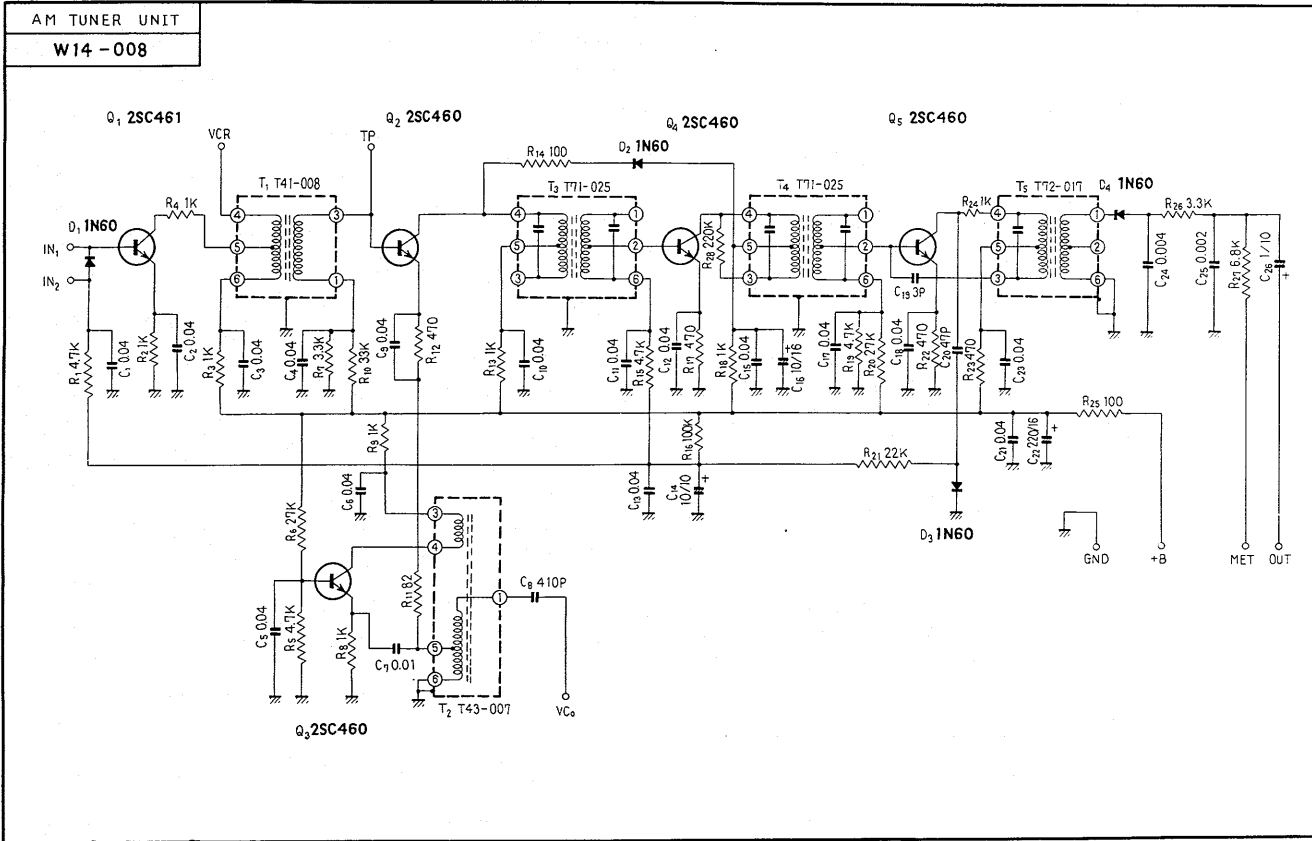
# FM IF UNIT



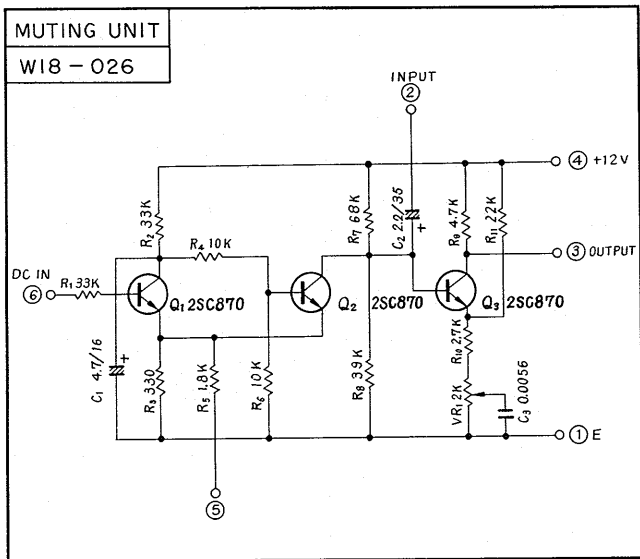
# MPX UNIT



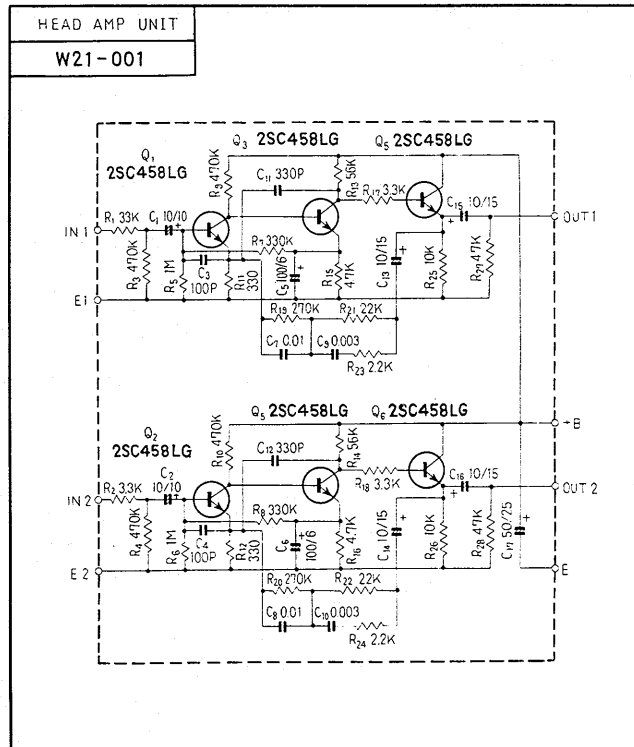
AM TUNER UNIT



MUTING UNIT

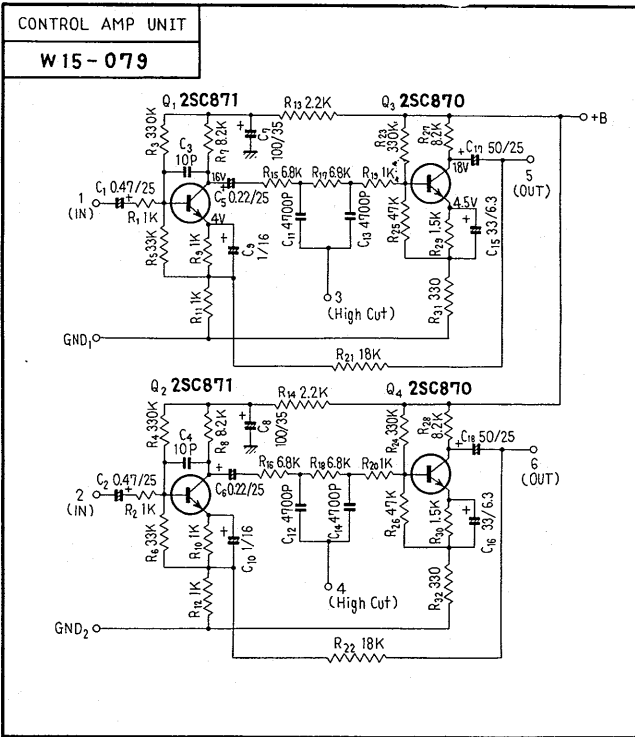


HEAD AMP UNIT

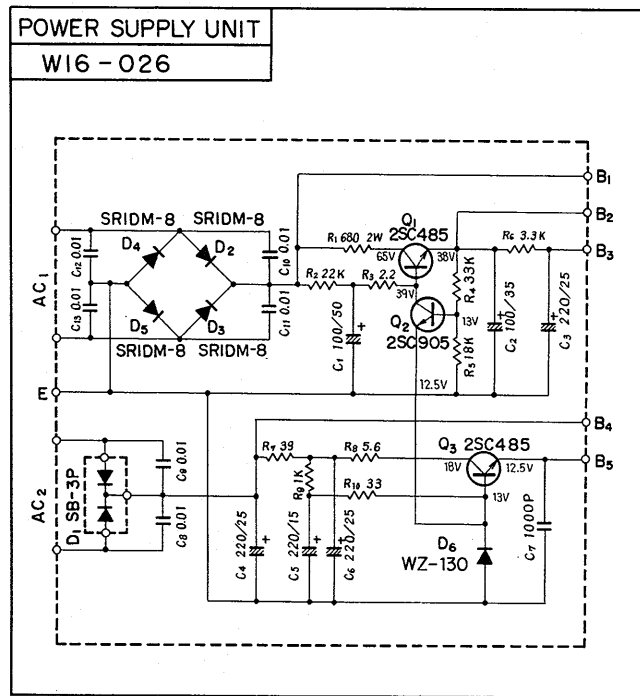




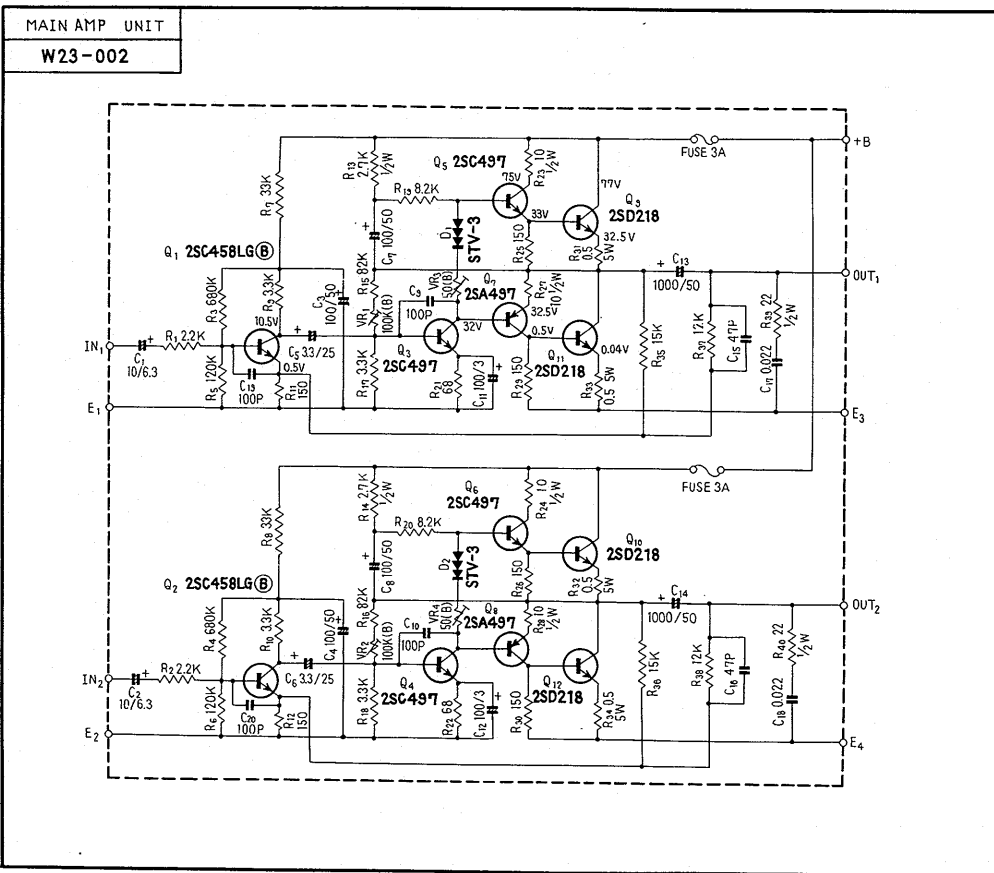
# CONTROL AMP UNIT



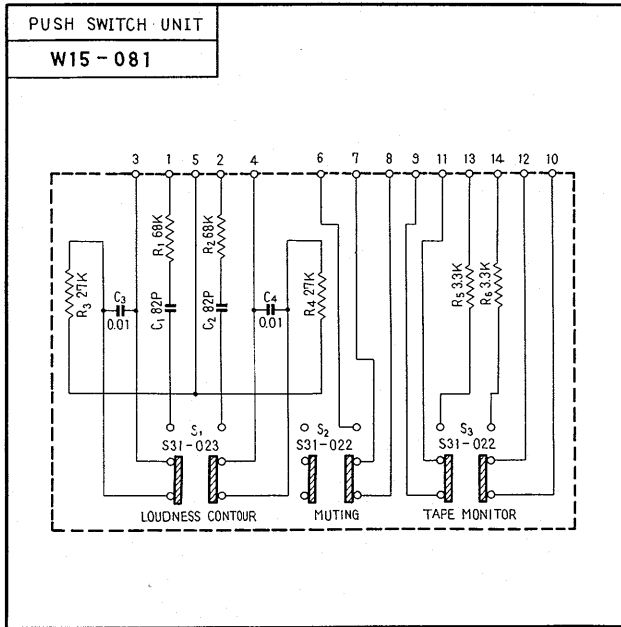
# POWER SUPPLY UNIT



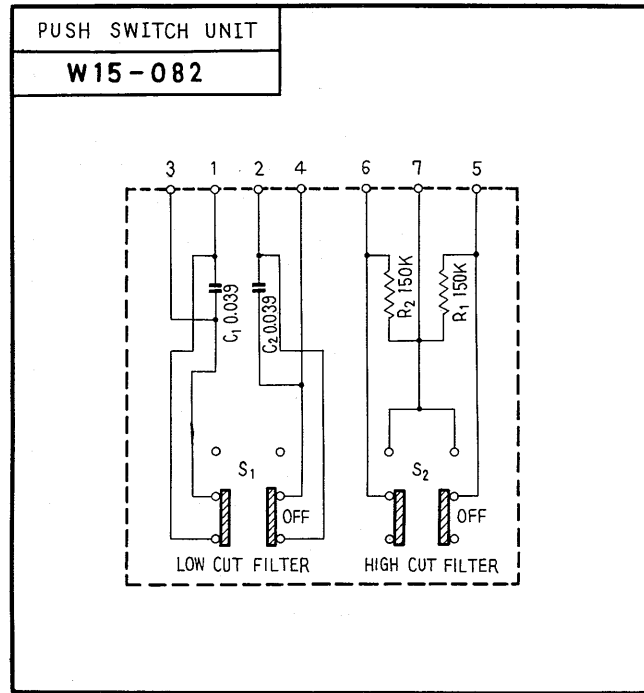
# MAIN AMP UNIT



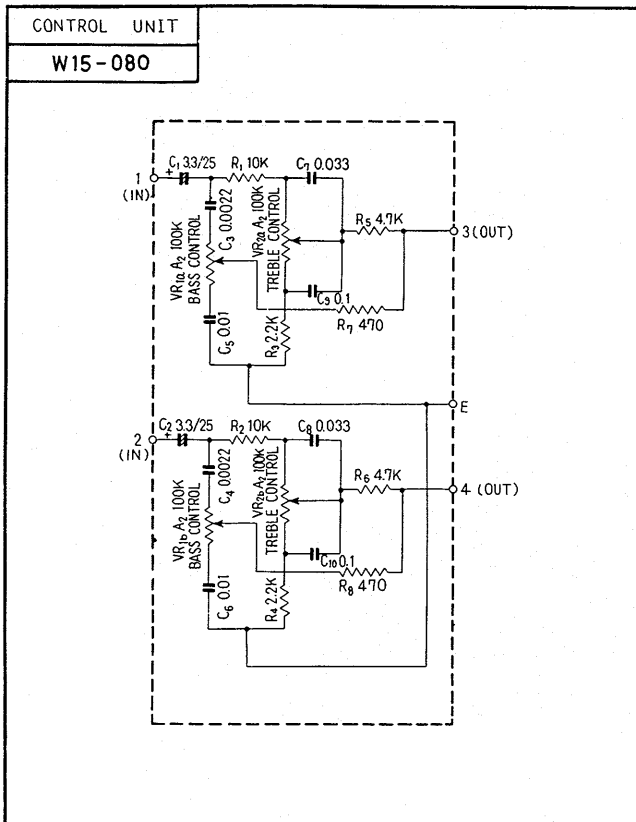
PUSH SWITCH UNIT



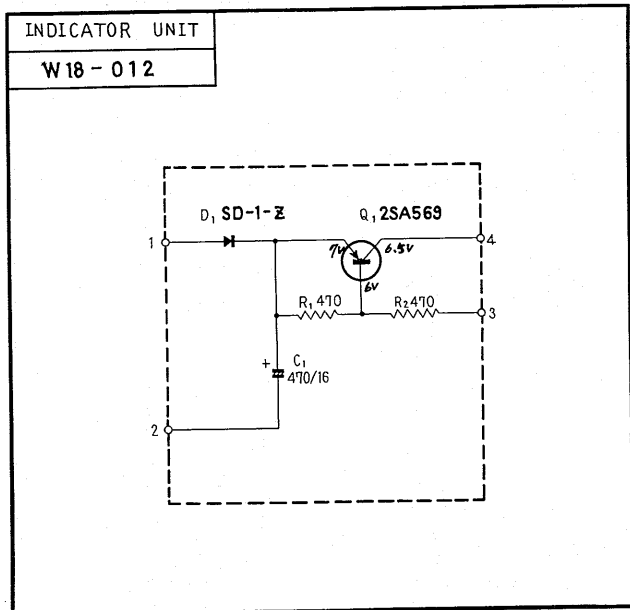
PUSH SWITCH UNIT



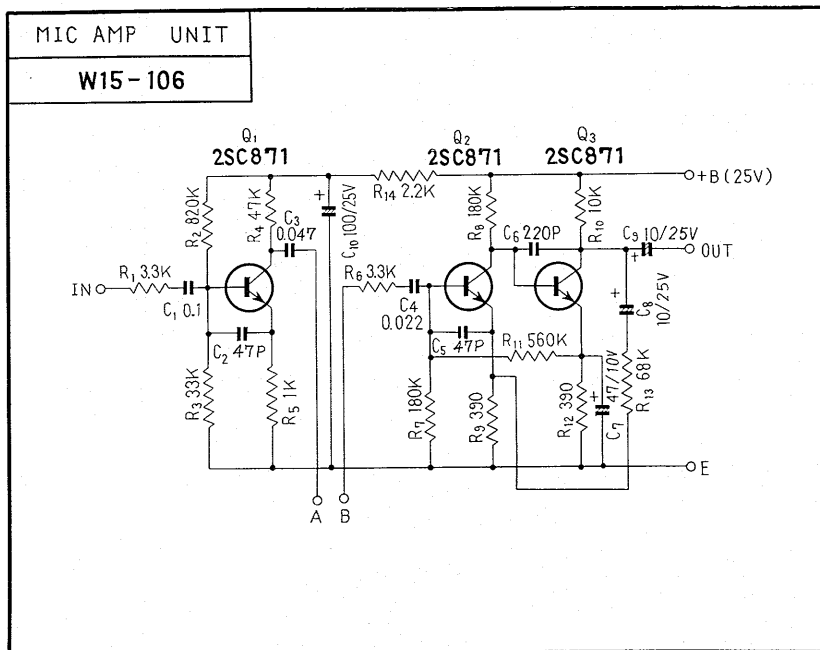
CONTROL UNIT



# INDICATOR UNIT



# MIC AMP UNIT

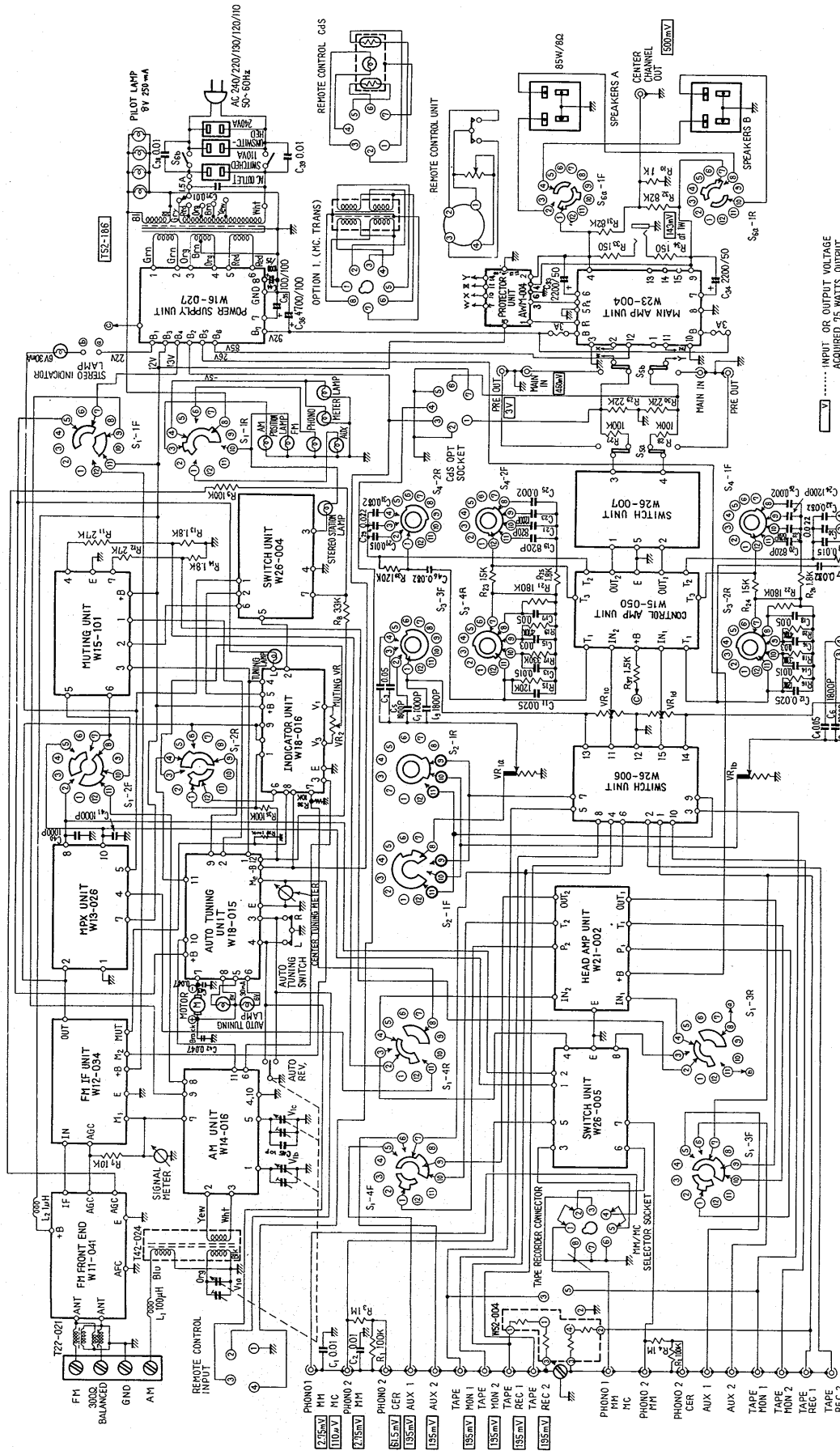


## AM/FM STEREO RECEIVER SX-2500

ROUND LABEL UNIT	FWW	FVZW				
FM FRONT END	W11-041	W11-041				
FM IF UNIT	W12-034	W12-034				
MPX UNIT	W13-026	W13-026				
AM TUNER UNIT	W14-016	W14-016				
MUTING UNIT	W15-101	W15-101				
HEAD AMP UNIT	W21-002	W21-002				
CONTROL AMP UNIT	W15-050	W15-050				
MAIN AMP UNIT	W23-004	W23-004				
POWER SUPPLY UNIT	W16-027	W16-027				
SWITCH UNIT	W26-004	W26-004				
SWITCH UNIT	W26-005	W26-005				
SWITCH UNIT	W26-006	W26-006				
SWITCH UNIT	W26-007	W26-007				
CONTROL UNIT						
AUTO TUNING UNIT	W18-015	W18-015				
PROTECTOR UNIT	AWM-004	AWM-004				
REVERBE UNIT						
INDICATOR UNIT	W18-016	W18-016				

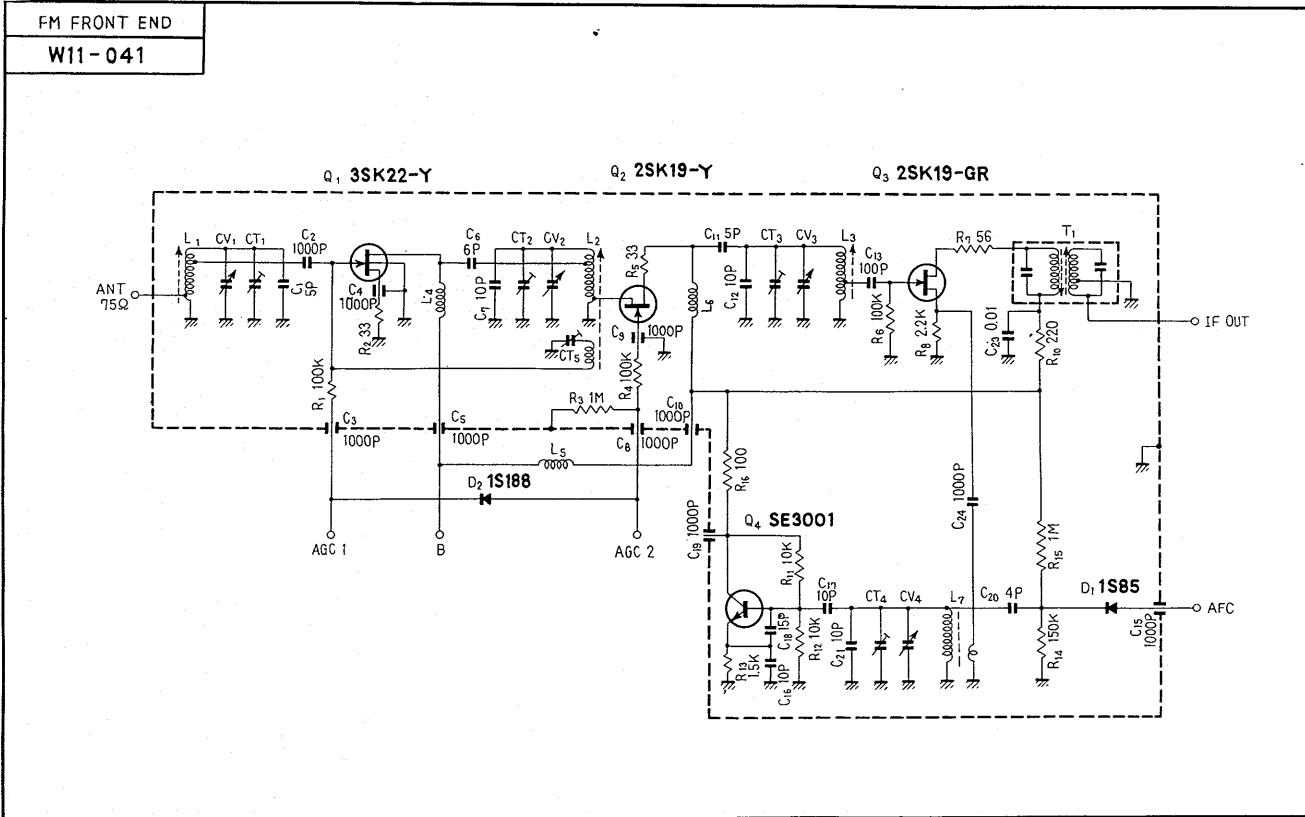


**SX-2500**

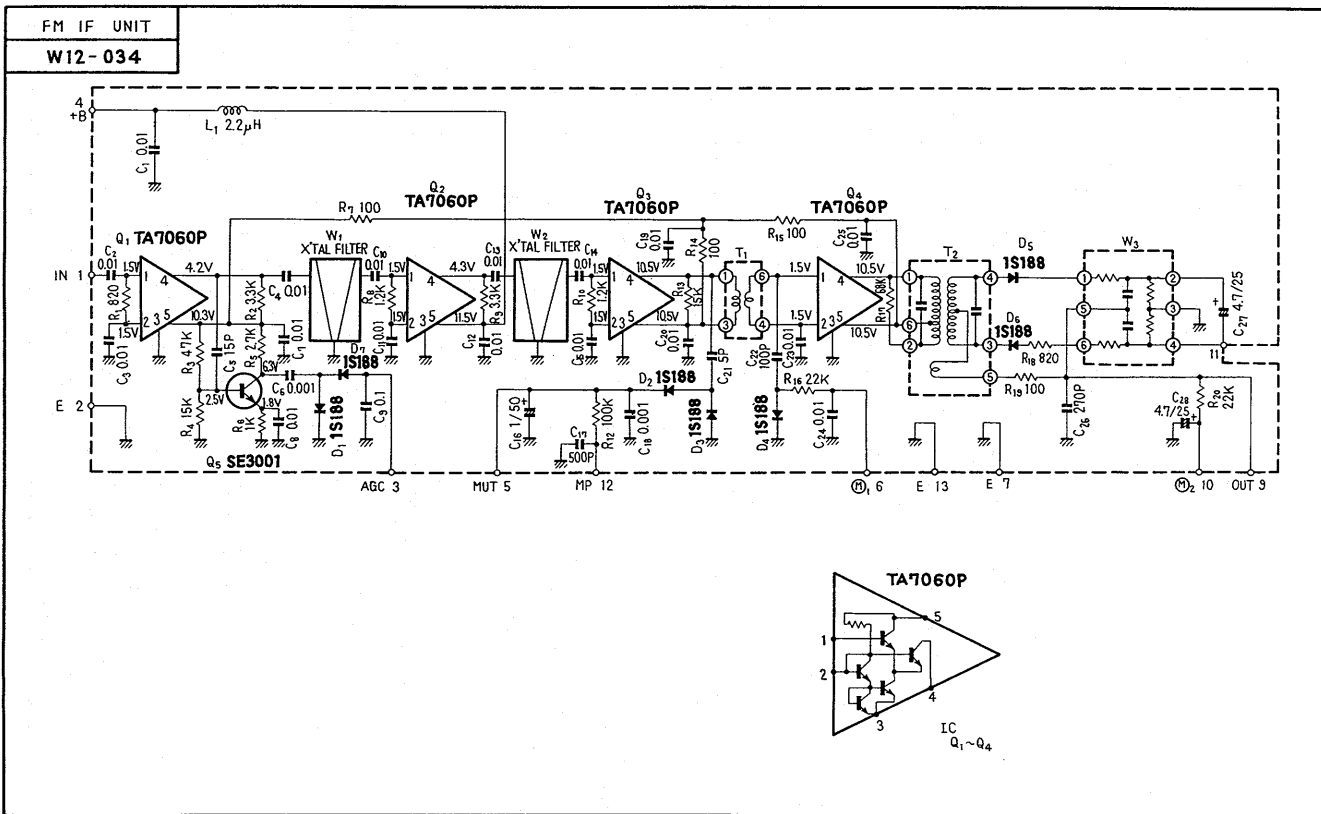


- VR1a,b** BALANCE VOLUME (C88-003)  
**VR1c,d** MAIN VOLUME (C88-009)  
**VR2** FM MUTING VOLUME (C81-013)  
**S1** INPUT SELECTOR (S13-033)
- S2** MODE SELECTOR (S14-035)  
 1. STEREO REV  
 2. STEREO NORM  
 3. MONO L  
 4. MONO R  
 5. L+R
- S3** TONE (BASS) CONT SW (S16-054)  
 -3dB ~ +12dB  
**S4** TONE (TREBLE) CONT SW (S16-046)  
 -12dB ~ +3dB
- S5** PRE & MAIN SELECTOR (S41-025)  
 INTER-COUPLED ↔ SEPARATED  
**S6** INPUT SELECTOR & POWER SW (S11-022)  
 1. POWER OFF  
 2. SPEAKER A  
 3. SPEAKER B  
 5. SPEAKER A+B
- S7** DC CURRENT  
**S8** AT NO SIGNAL INPUT  
**S9** AT 15 WATTS OUTPUT  
**S10** AT NO SIGNAL INPUT  
**S11** AT 15 WATTS OUTPUT
- RESISTORS**  
 ON MARK ..... OHM  
 M ..... MEGOHM  
 K ..... KILOHM
- CAPACITORS**  
 NON MARK ..... MICRO F  
 p ..... PICO F
- INPUT OR OUTPUT VOLTAGE**  
 ACCQUIRED 15 WATTS OUTPUT  
 AT 1kHz

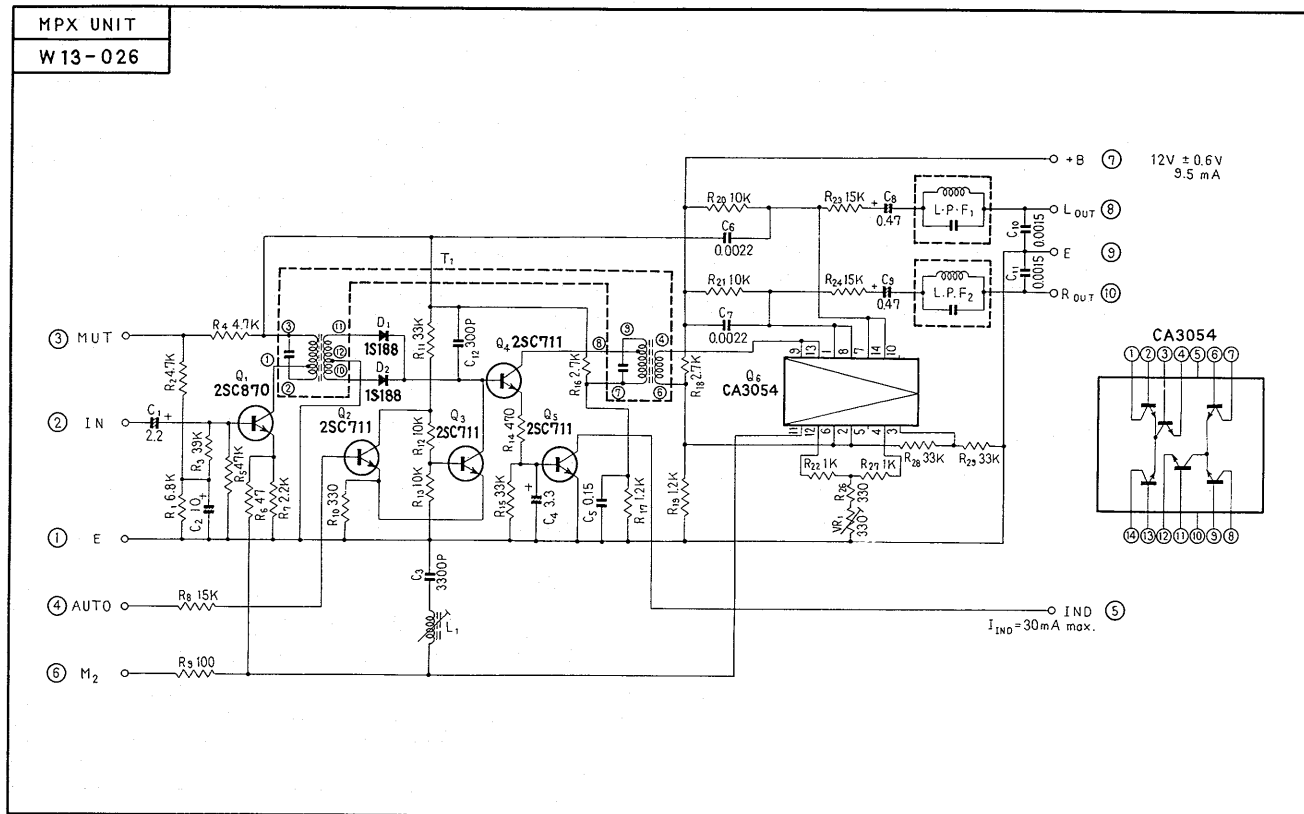
FM FRONT END



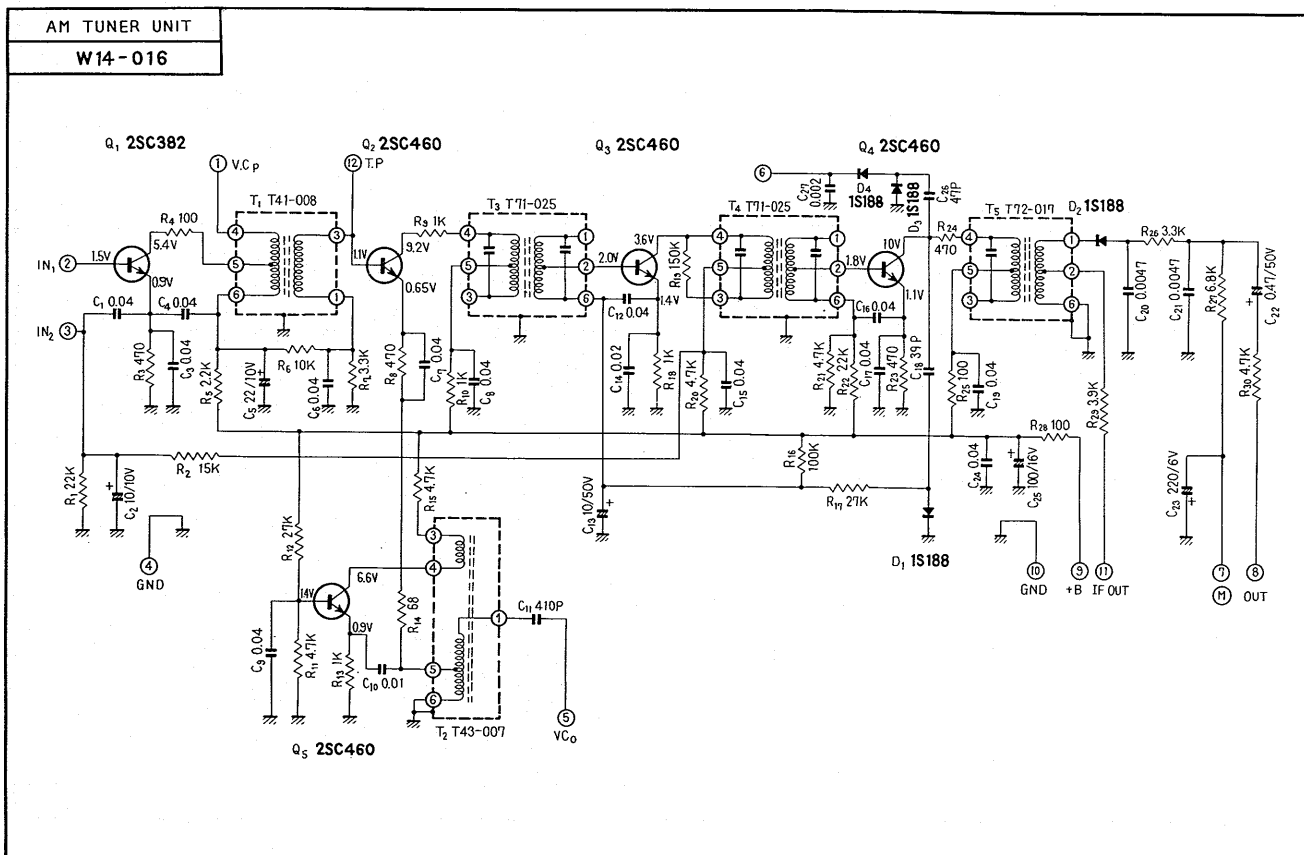
FM IF UNIT



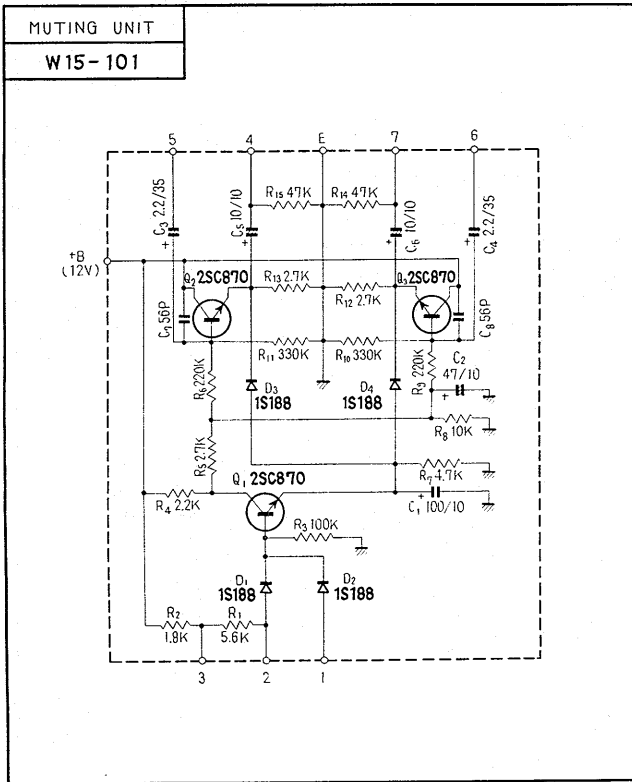
# MPX UNIT



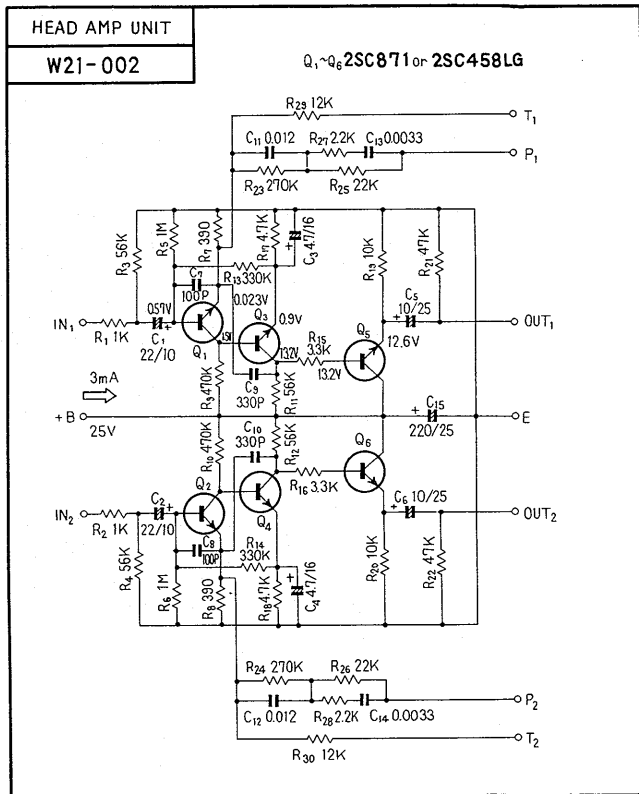
# AM TUNER UNIT



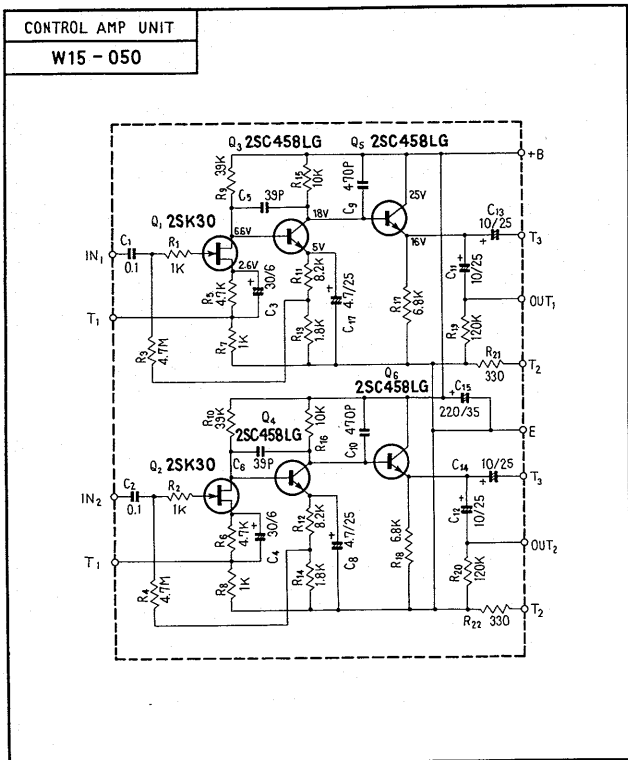
MUTING UNIT



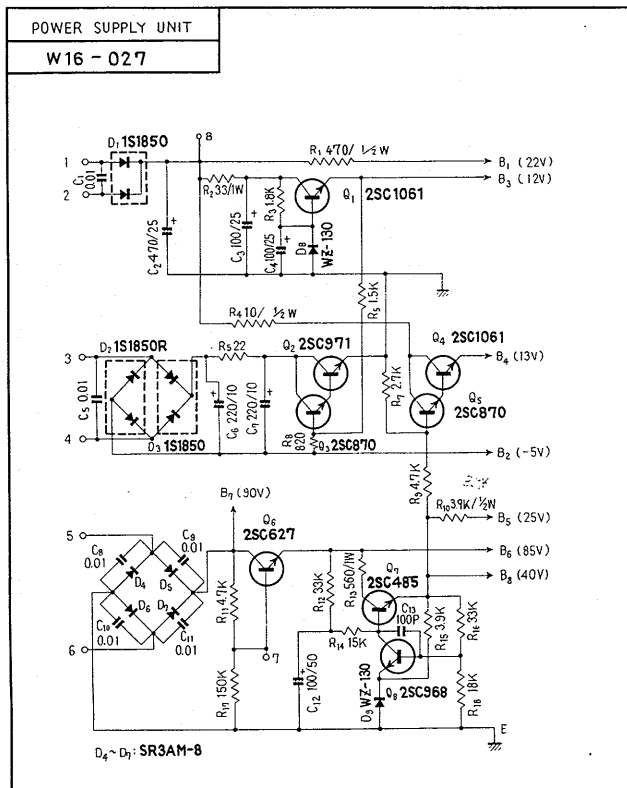
HEAD AMP UNIT



CONTROL AMP UNIT

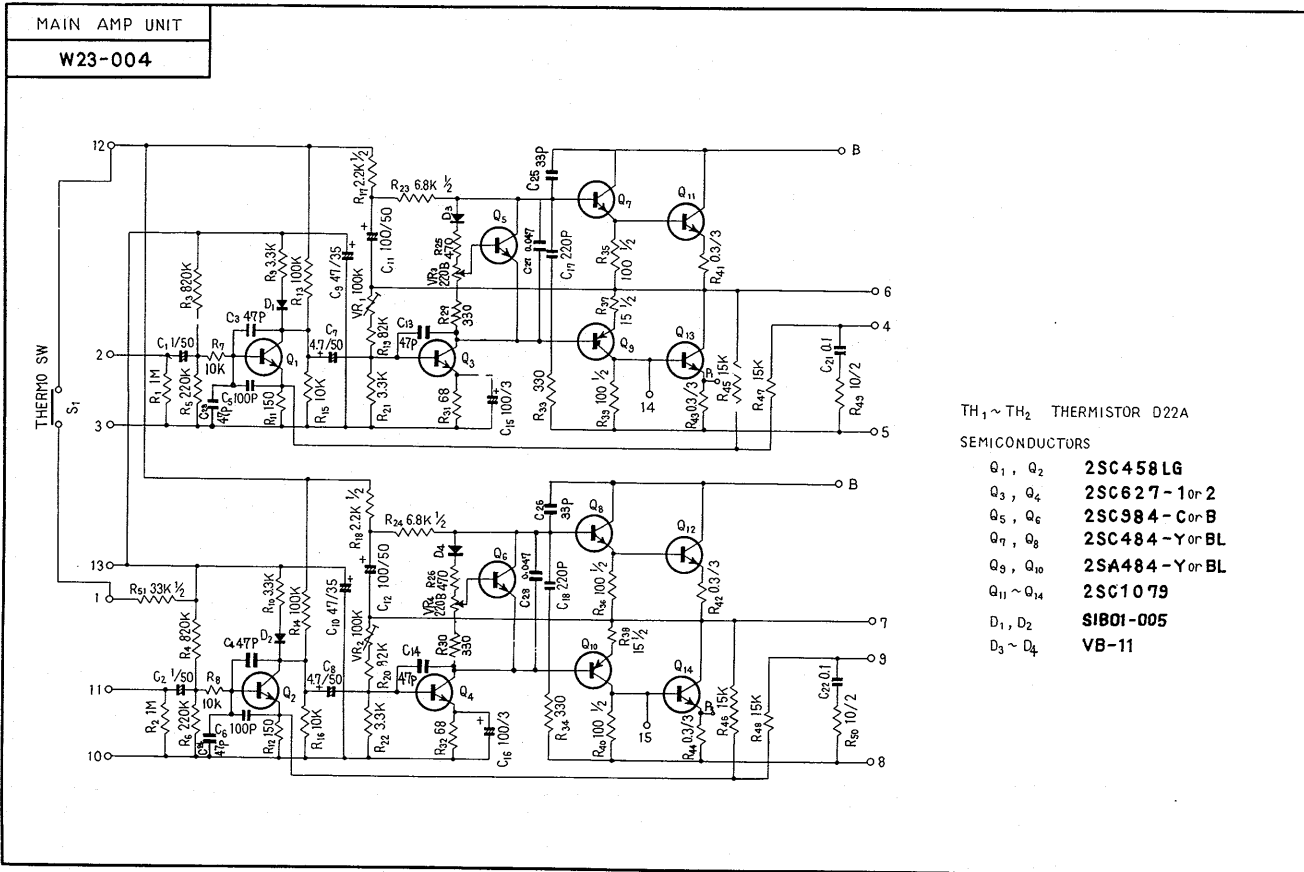


POWER SUPPLY UNIT

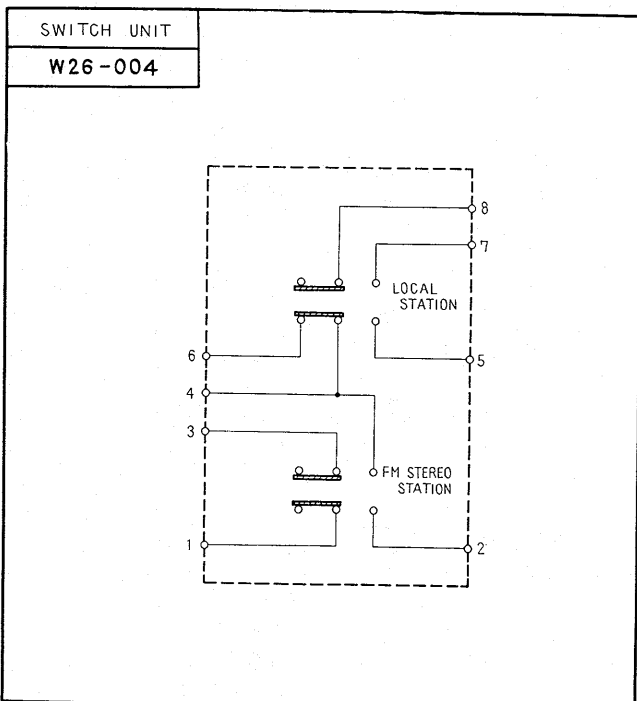




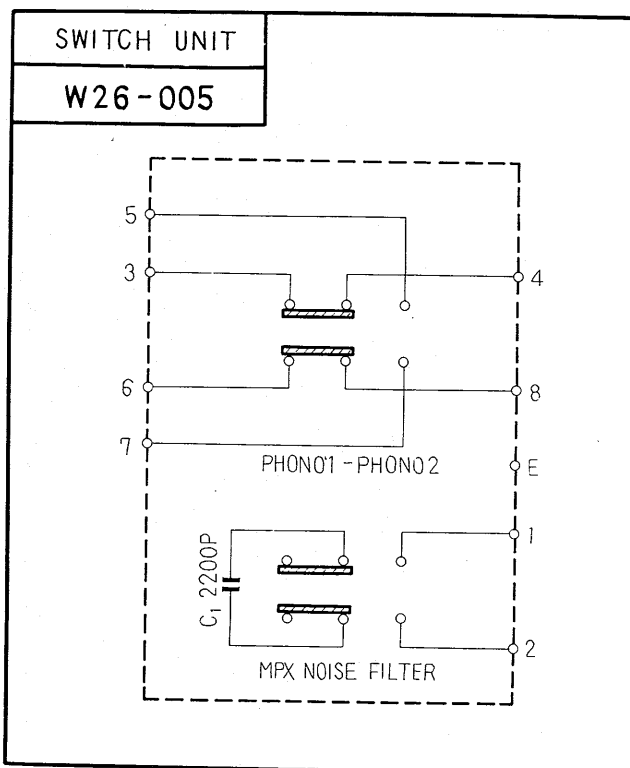
# MAIN AMP UNIT



# SWITCH UNIT

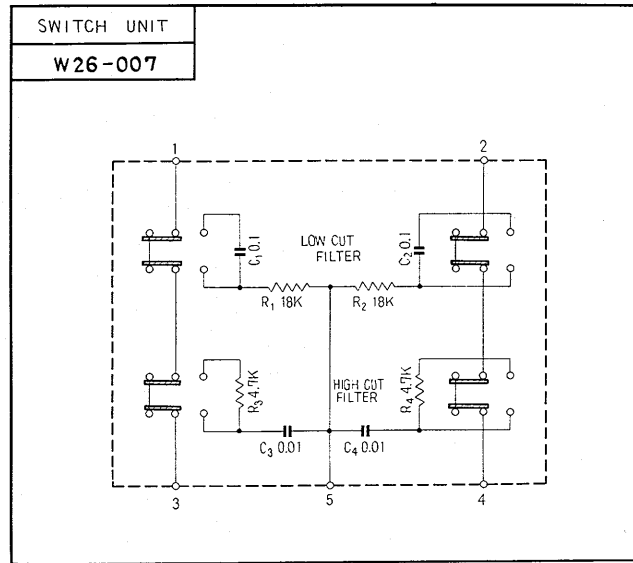
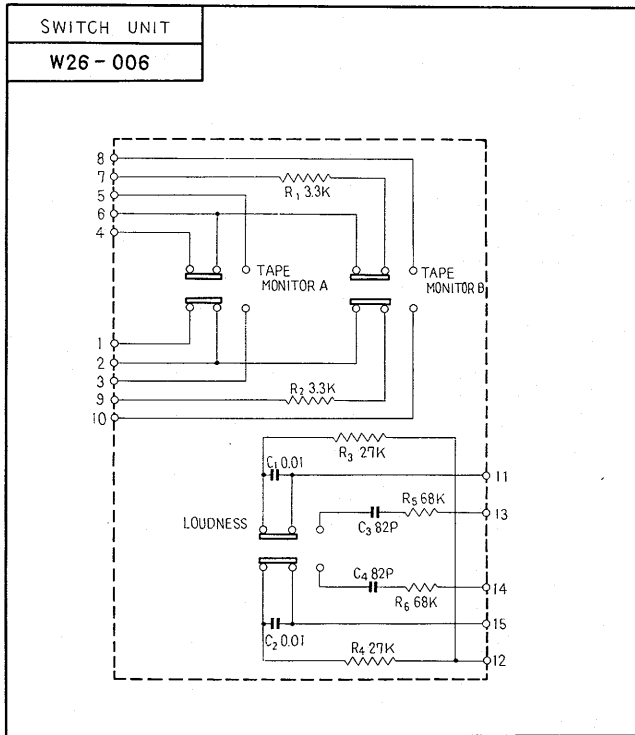


# SWITCH UNIT

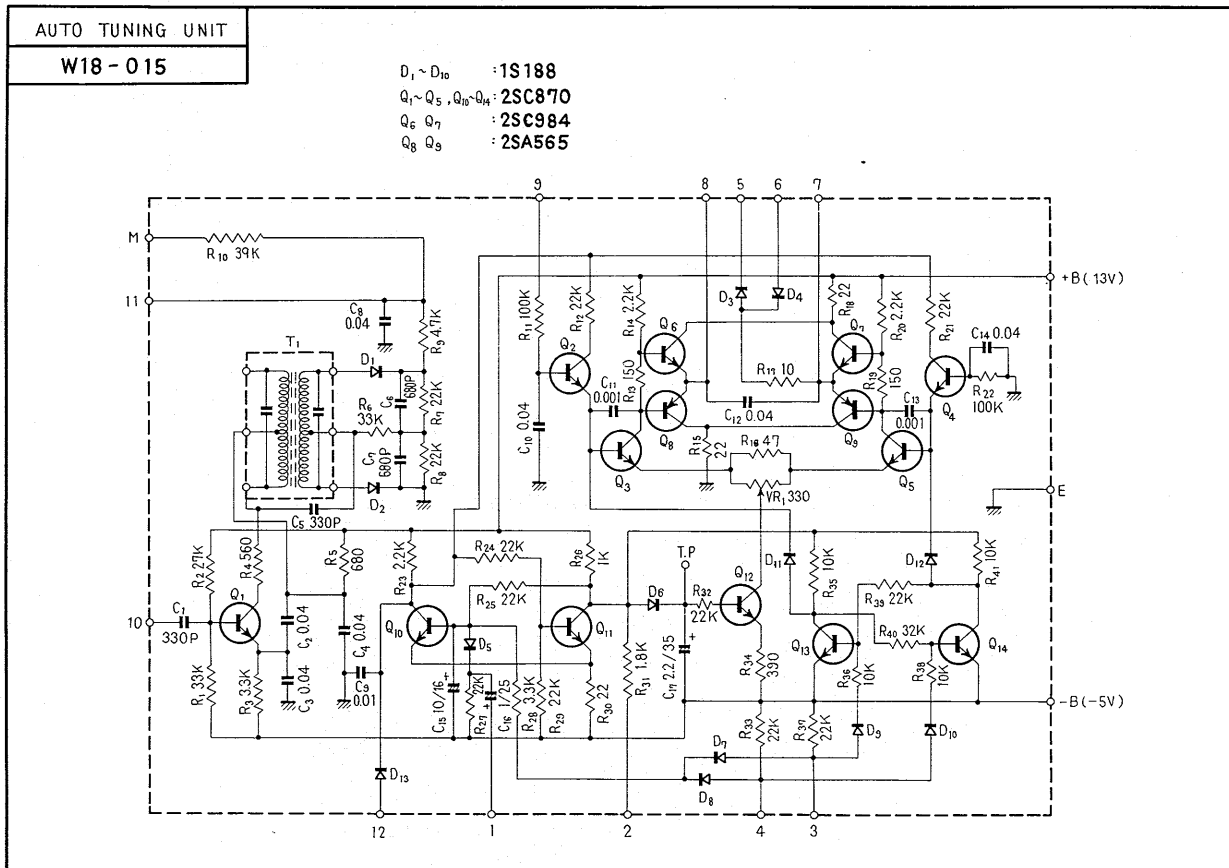


SWITCH UNIT

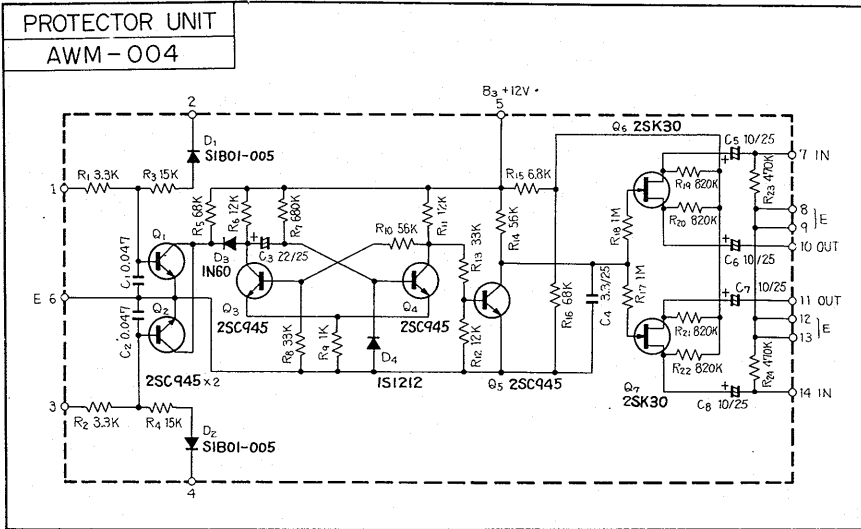
SWITCH UNIT



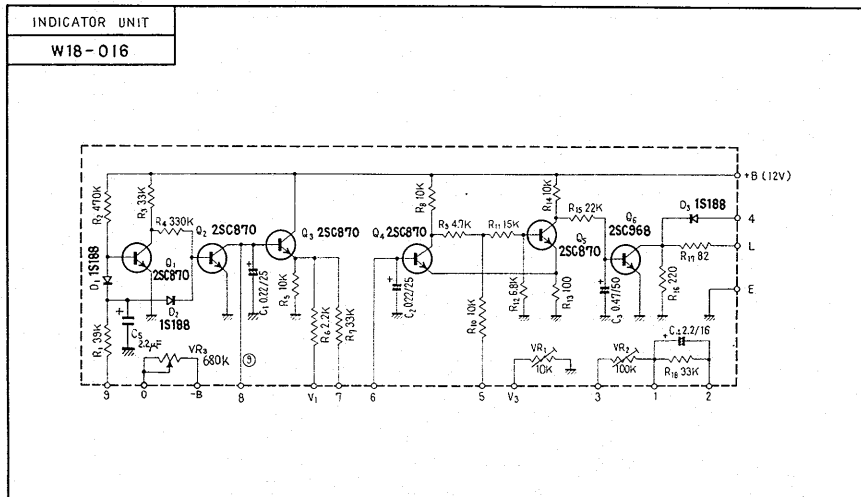
AUTO TUNING UNIT



# PROTECTOR UNIT



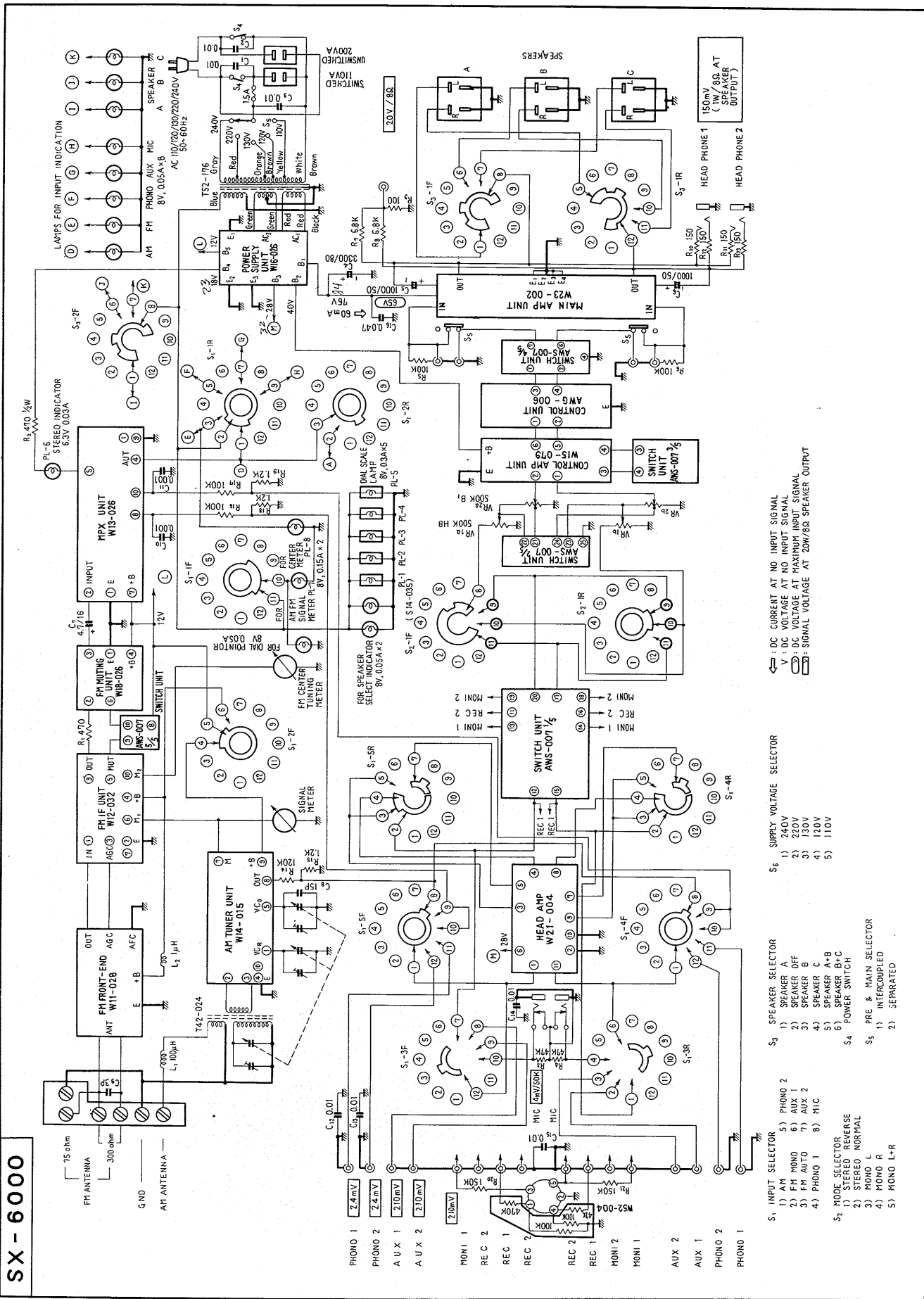
# INDICATOR UNIT



**AM/FM STEREO RECEIVER**  
**SX-6000**

UNIT	ROUND LABEL	FW					
FM FRONT END		W11-028					
FM IF UNIT		W12-032					
MPX UNIT		W13-026					
AM TUNER UNIT		W14-015					
MUTING UNIT		W18-026					
HEAD AMP UNIT		W21-004					
CONTROL AMP UNIT		W15-079					
MAIN AMP UNIT		W23-002					
POWER SUPPLY UNIT		W16-026					
SWITCH UNIT		AWS-007					
SWITCH UNIT							
SWITCH UNIT							
TONE COLOR UNIT							
CONTROL UNIT		AWG-006					
MIC AMP UNIT							
REVERBE AMP UNIT							
REVERBE UNIT							





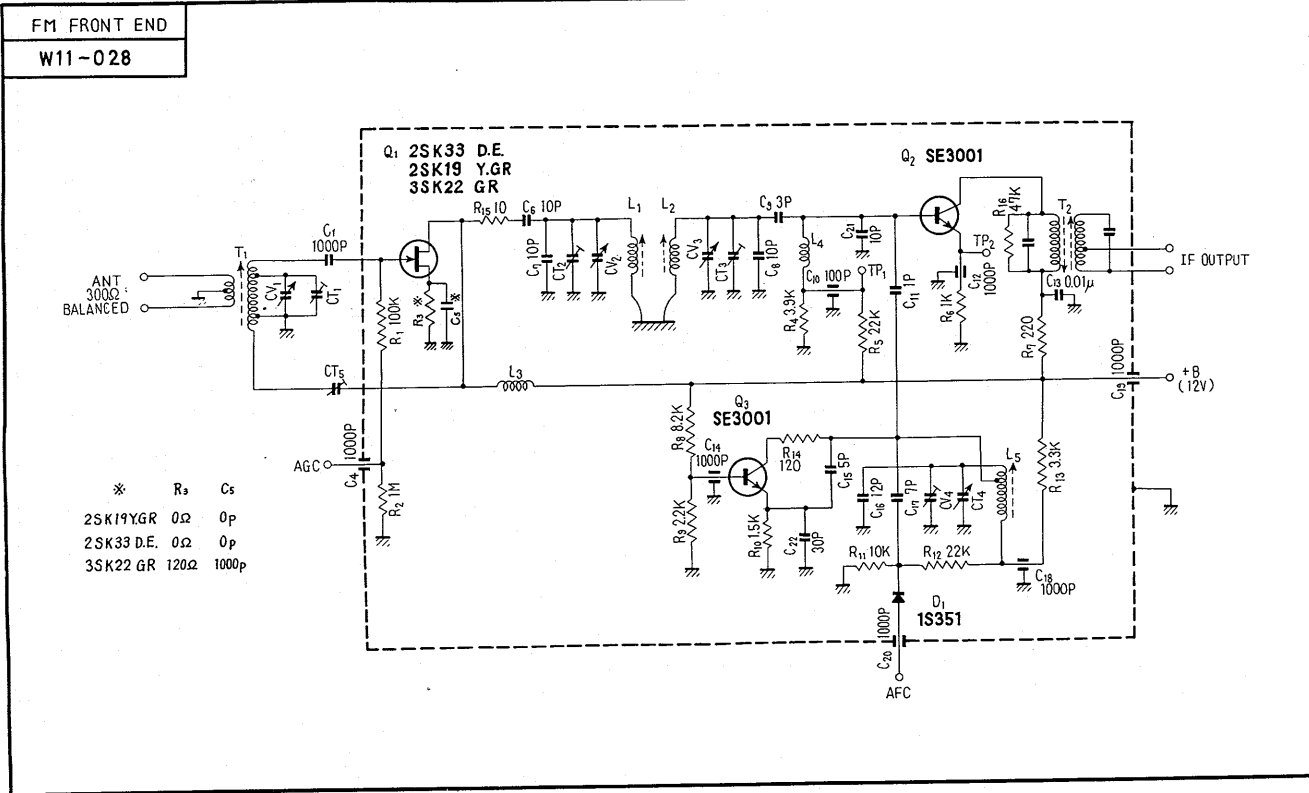
**SX - 6000**

- 15 ohm PH ANTENNA
- 300 ohm ANTENNA
- GND
- ANT ANTENNA

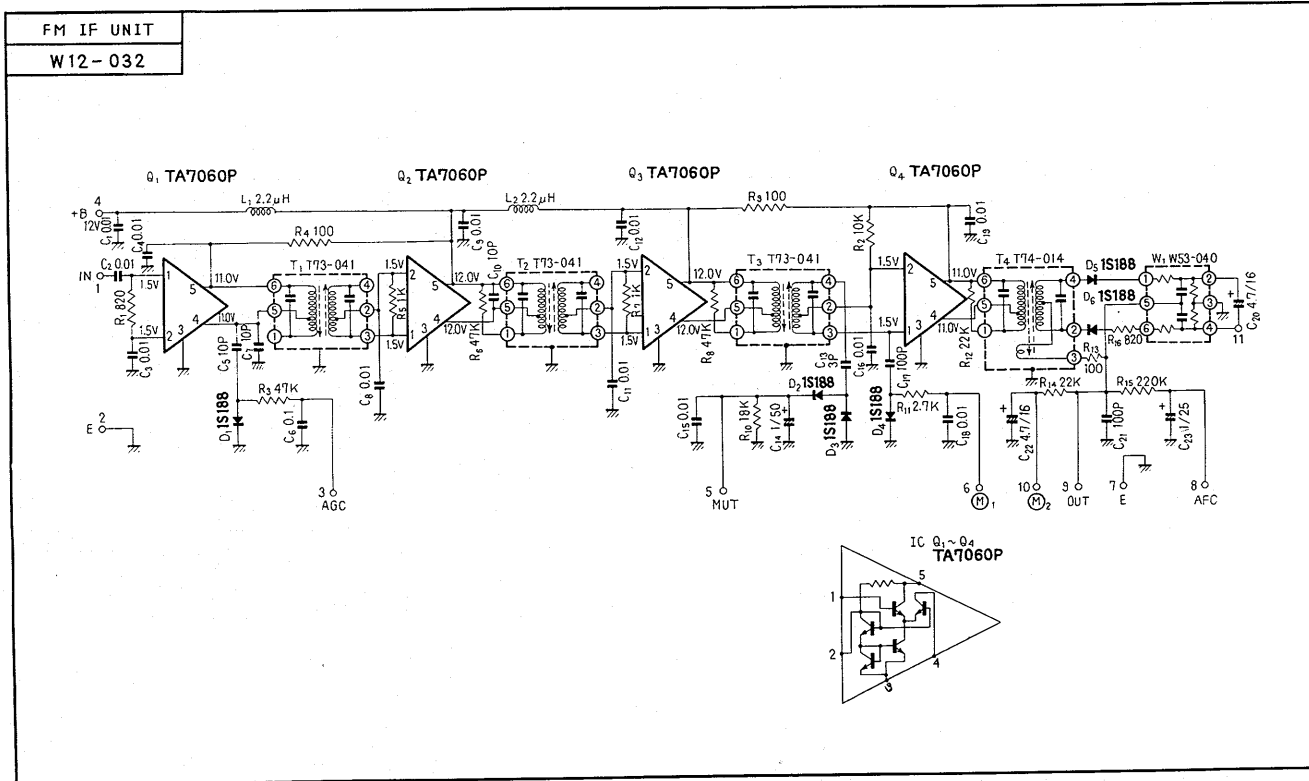
- PHONO 1 2.4 mV
- PHONO 2 2.4 mV
- AUX 1 2.0 mV
- AUX 2 2.0 mV
- MONI 1 2.0 mV
- REC 2 150K
- REC 1 150K
- REC 2 100K
- REC 1 100K
- MONI 2 150K
- MONI 1 150K
- AUX 2 150K
- AUX 1 150K
- PHONO 2 150K
- PHONO 1 150K

- S<sub>1</sub> INPUT SELECTOR**
- 1) AM
  - 2) FM MONO
  - 3) FM AUTO
  - 4) PHONO 1
  - 5) PHONO 2
  - 6) AUX 1
  - 7) AUX 2
  - 8) MIC
- S<sub>2</sub> MODE SELECTOR**
- 1) STEREO REVERSE
  - 2) STEREO NORMAL
  - 3) MONO L
  - 4) MONO R
  - 5) MONO L+R
- S<sub>3</sub> SPEAKER SELECTOR**
- 1) SPEAKER A
  - 2) SPEAKER OFF
  - 3) SPEAKER B
  - 4) SPEAKER C
  - 5) SPEAKER A+B
  - 6) SPEAKER B+C
- S<sub>4</sub> POWER SWITCH**
- 1) INTERCOUPLED
  - 2) SEPARATED
- S<sub>5</sub> PRE & MAIN SELECTOR**
- 1) INTERCOUPLED
  - 2) SEPARATED
- S<sub>6</sub> SUPPLY VOLTAGE SELECTOR**
- 1) 240V
  - 2) 220V
  - 3) 130V
  - 4) 120V
  - 5) 110V
- Legend:**
- ⎯⎯⎯ DC CURRENT AT NO INPUT SIGNAL
  - V DC VOLTAGE AT NO INPUT SIGNAL
  - V DC VOLTAGE AT MAXIMUM INPUT SIGNAL
  - ⎯⎯⎯ SIGNAL VOLTAGE AT 20W/8Ω SPEAKER OUTPUT

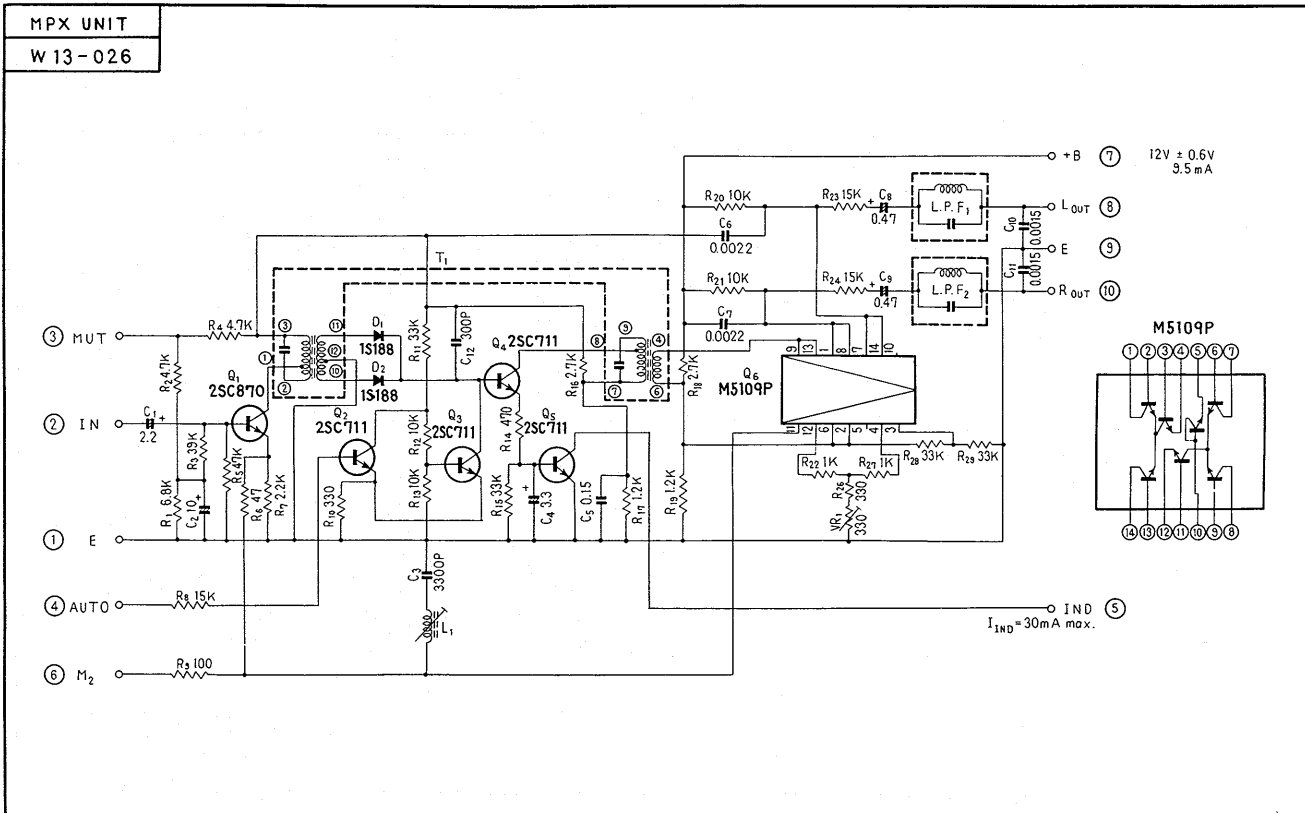
FM FRONT END



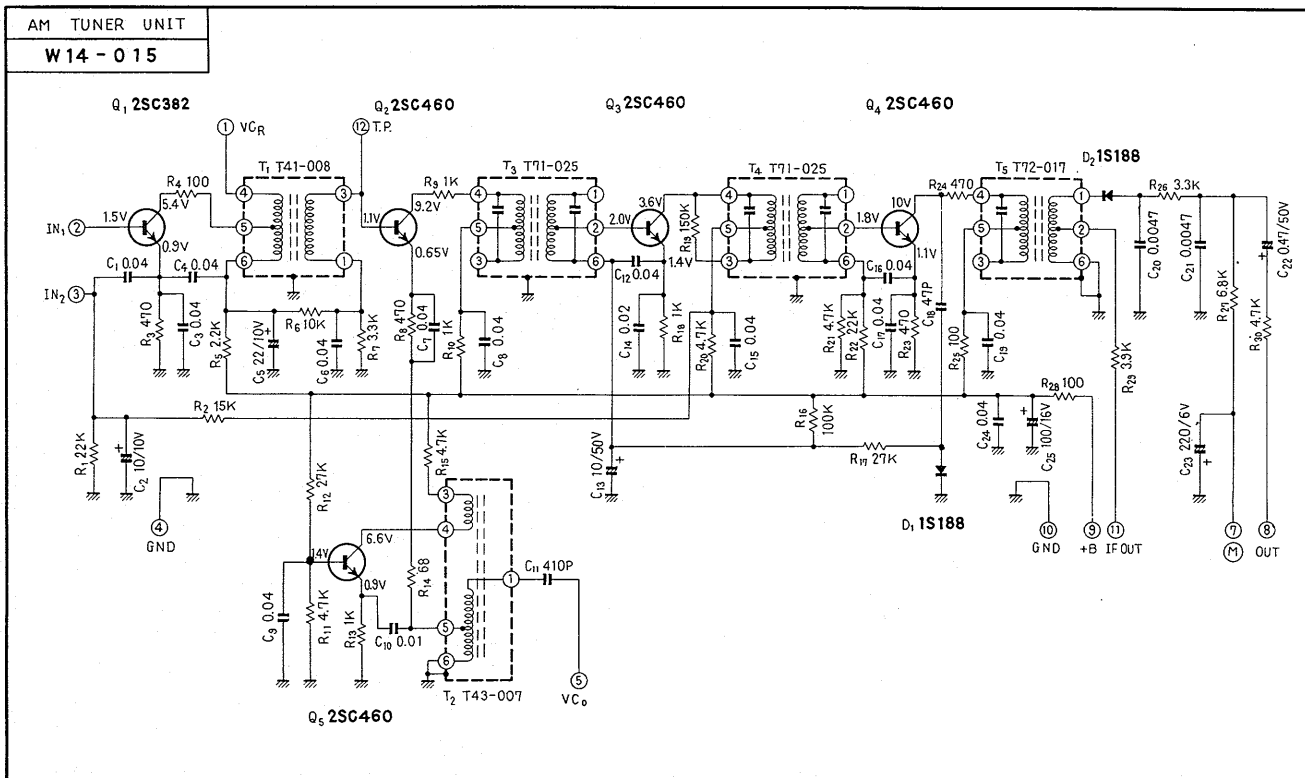
FM IF UNIT



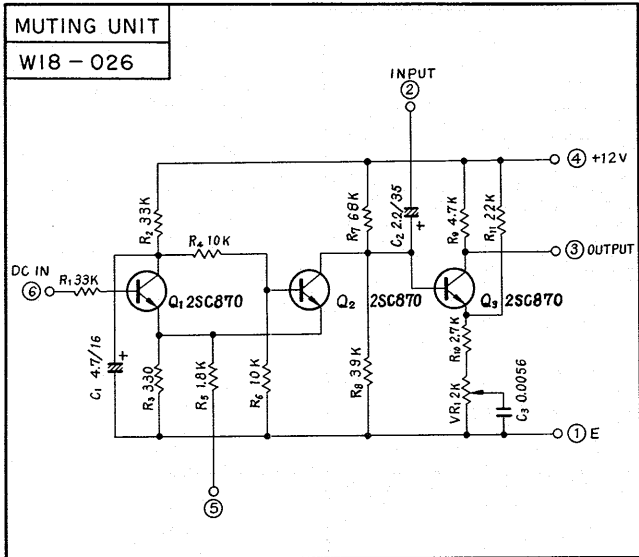
# MPX UNIT



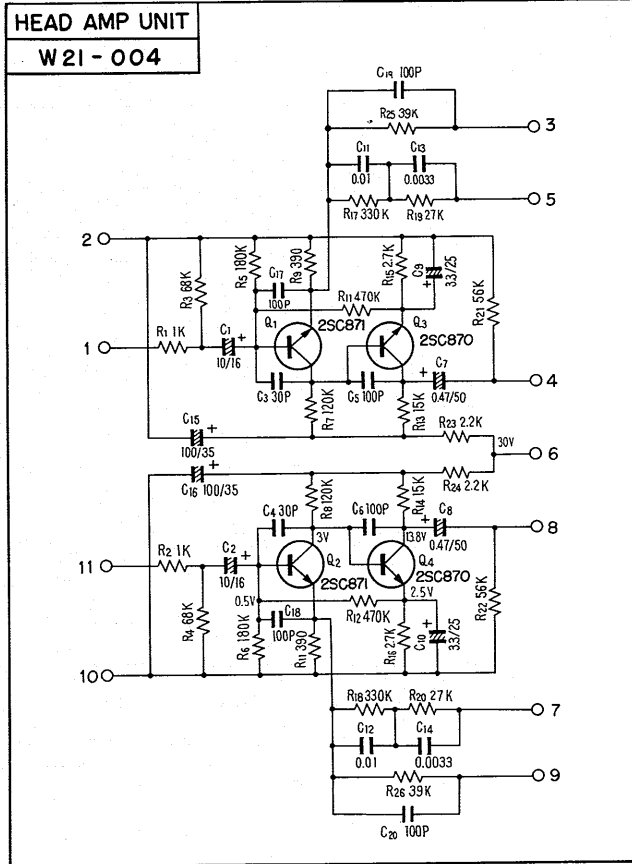
# AM TUNER UNIT



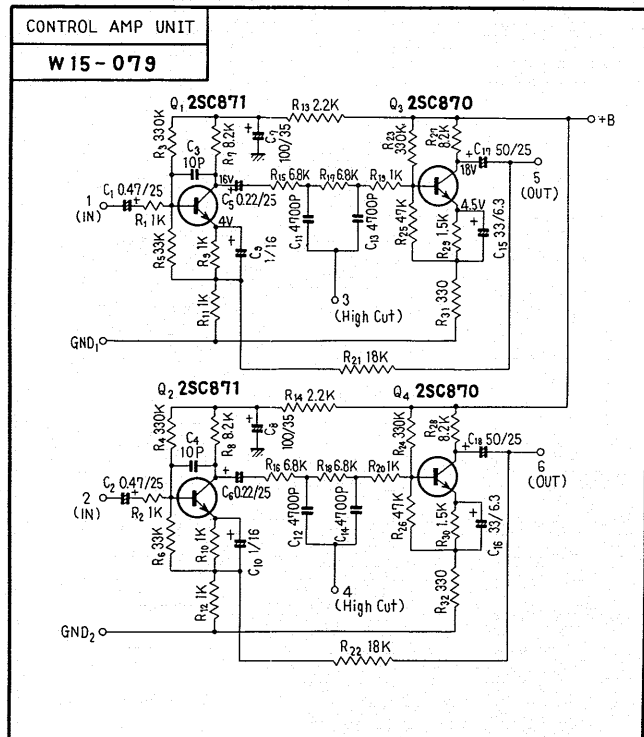
MUTING UNIT



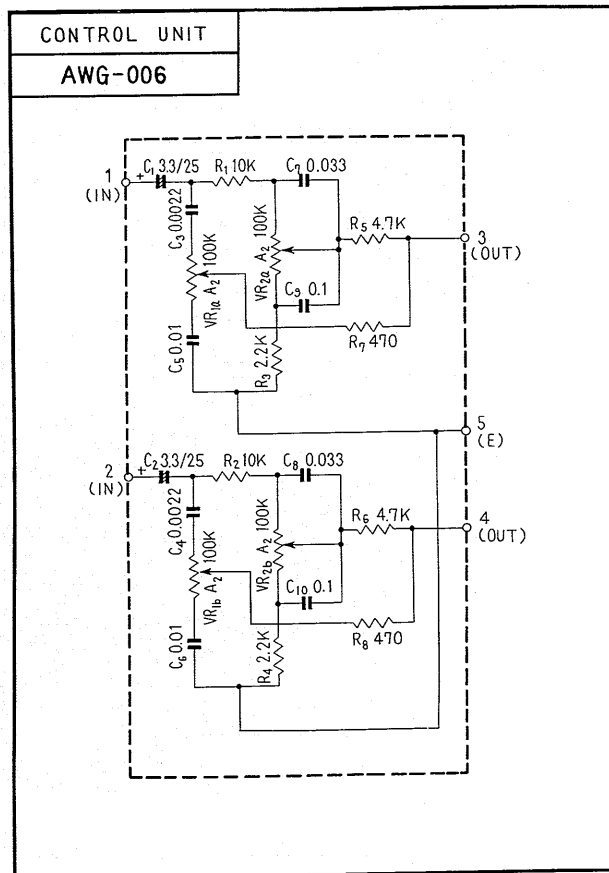
HEAD AMP UNIT



CONTROL AMP UNIT

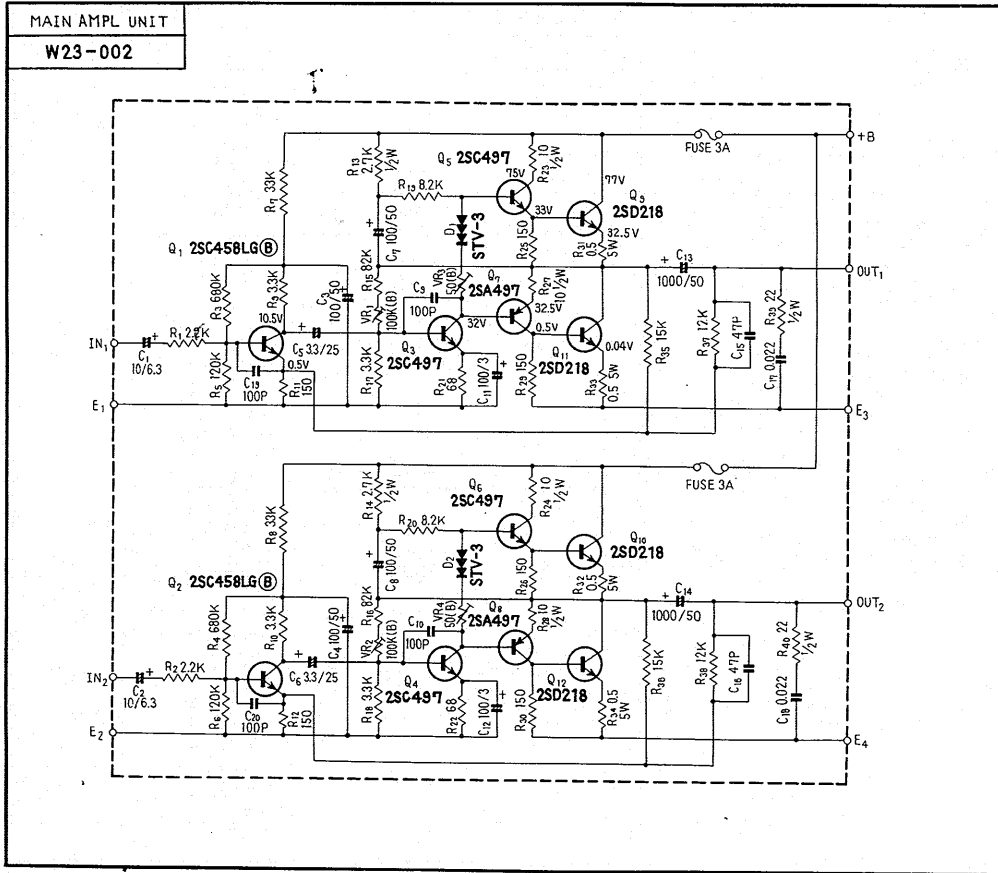


CONTROL UNIT

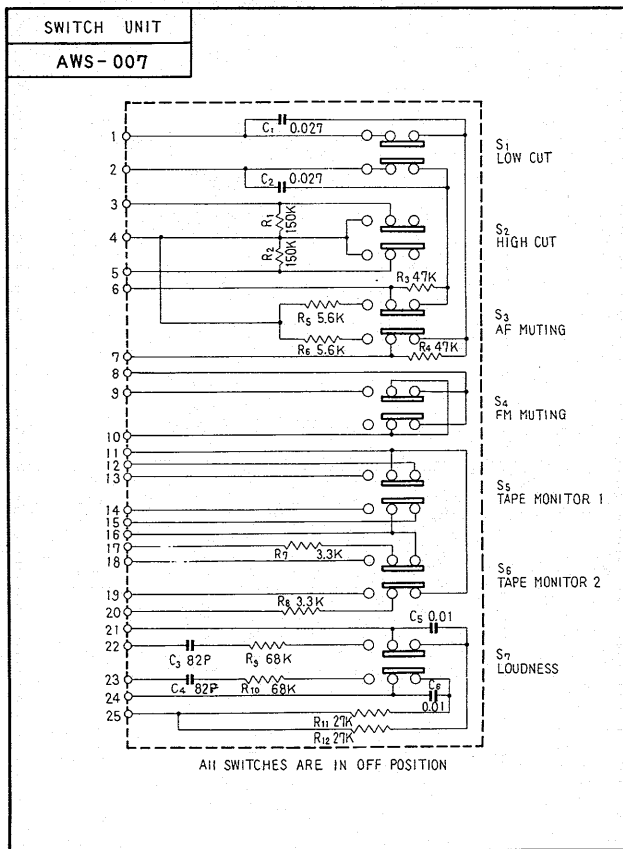




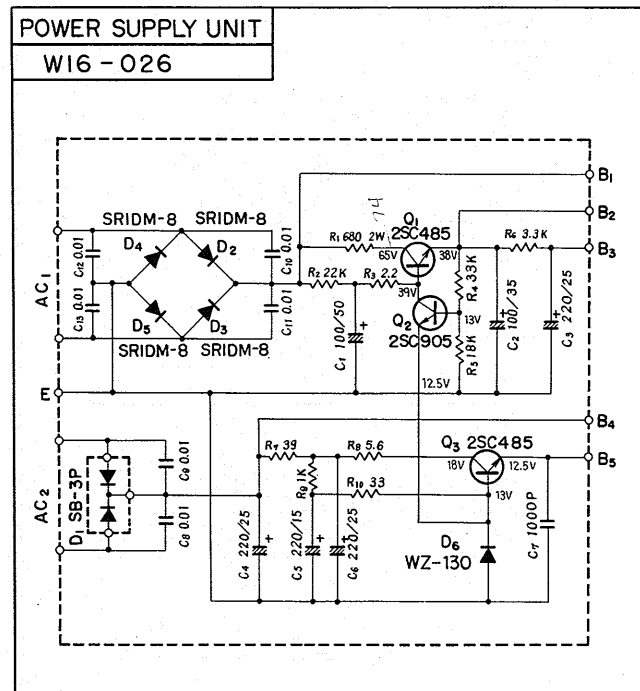
# MAIN AMP UNIT



# SWITCH UNIT



# POWER SUPPLY UNIT

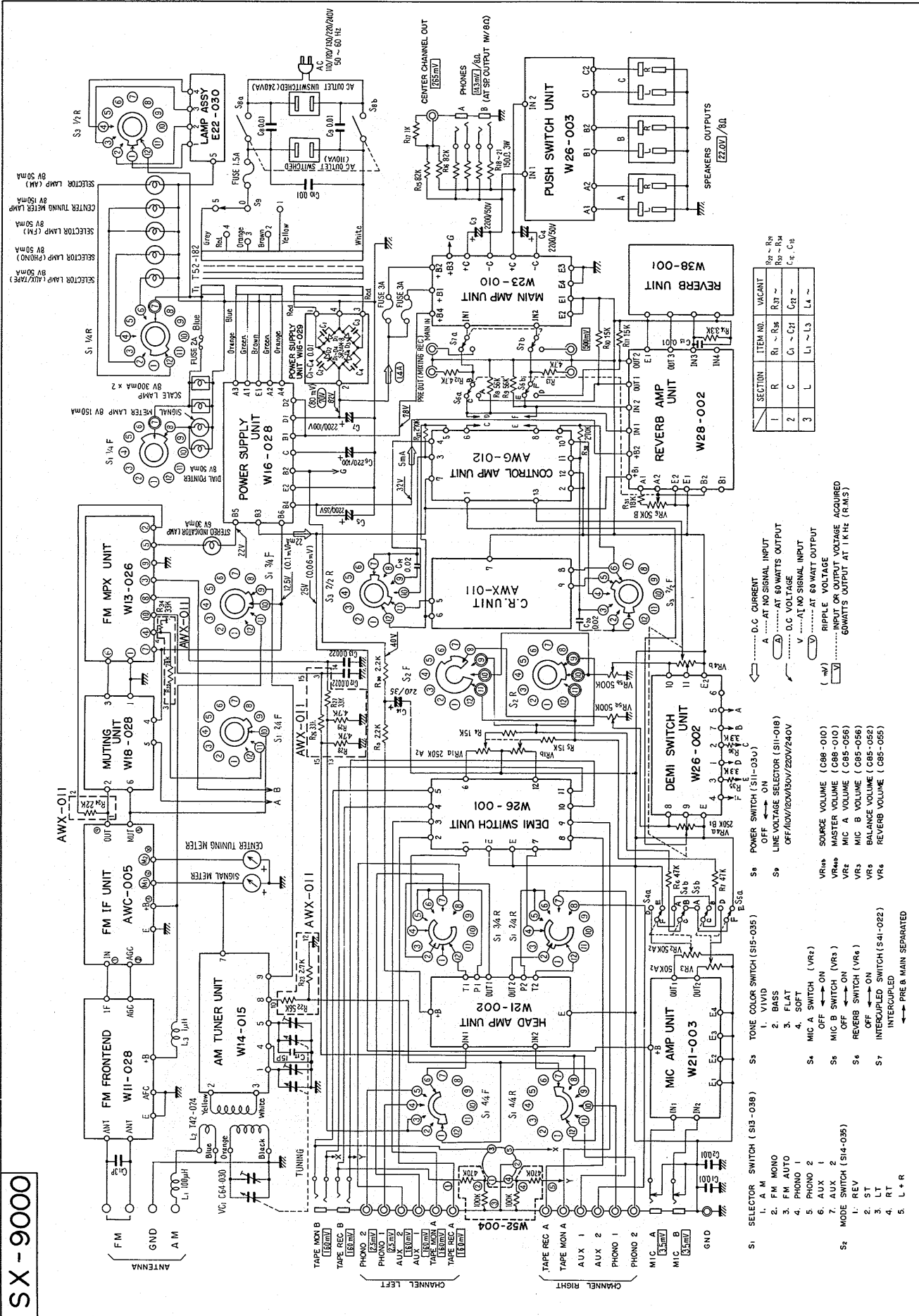


**AM/FM STEREO RECEIVER**

**SX-9000**

UNIT	ROUND LABEL	FW					
FM FRONT END		W11-028					
FM IF UNIT		AWC-005					
MPX UNIT		W13-026					
AM TUNER UNIT		W14-015					
MUTING UNIT		W18-028					
HEAD AMP UNIT		W21-002					
CONTROL AMP UNIT		AWG-012					
MAIN AMP UNIT		W23-010					
POWER SUPPLY UNIT		W16-028					
SWITCH UNIT		W26-001					
SWITCH UNIT		W26-002					
SWITCH UNIT		W26-003					
CR UNIT		AWX-011					
CONTROL UNIT							
MIC AMP UNIT		W21-003					
REVERBE AMP UNIT		W28-002					
REVERBE UNIT		W38-001					
POWER SUPPLY UNIT		W16-029					



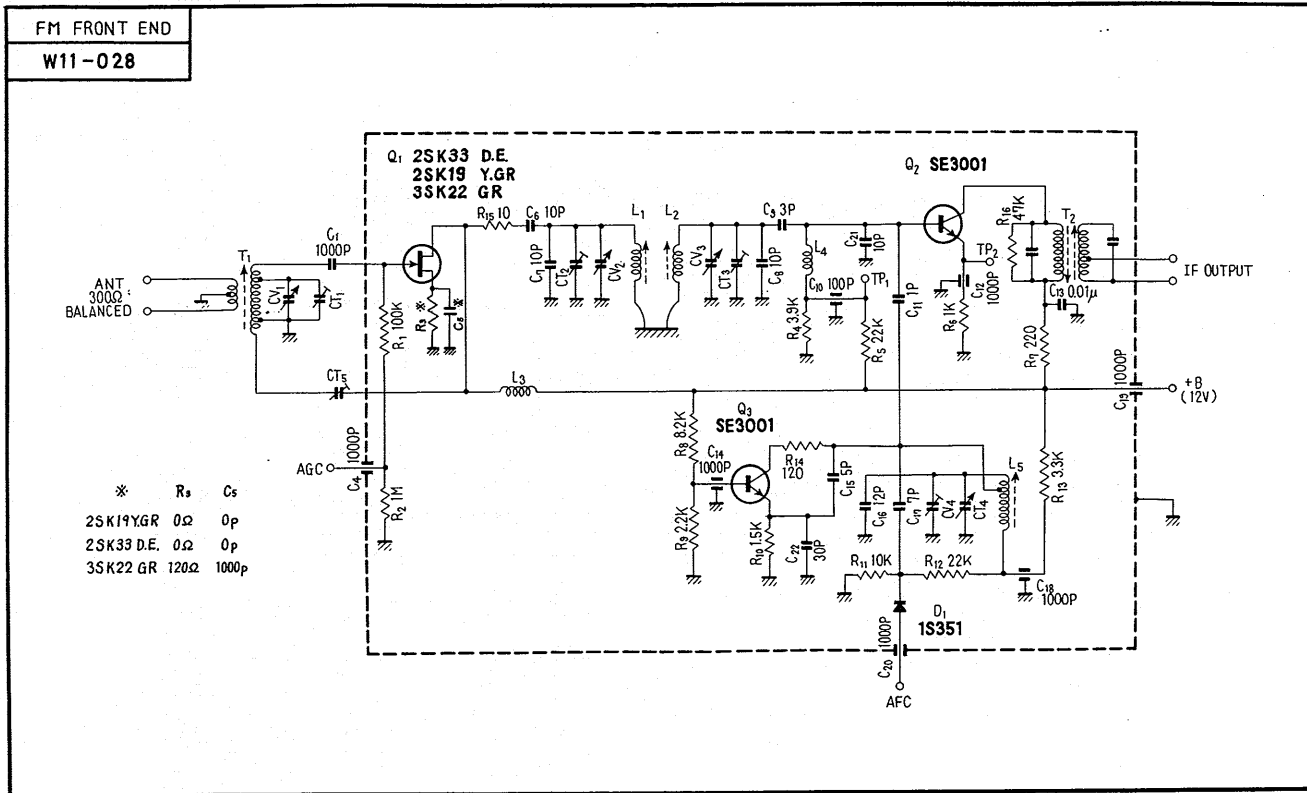


SECTION	ITEM NO.	VACANT
1	R <sub>1</sub> ~ R <sub>15</sub>	R <sub>17</sub> ~ R <sub>18</sub>
2	C <sub>1</sub> ~ C <sub>10</sub>	C <sub>11</sub> ~ C <sub>18</sub>
3	L <sub>1</sub> ~ L <sub>3</sub>	L <sub>4</sub> ~

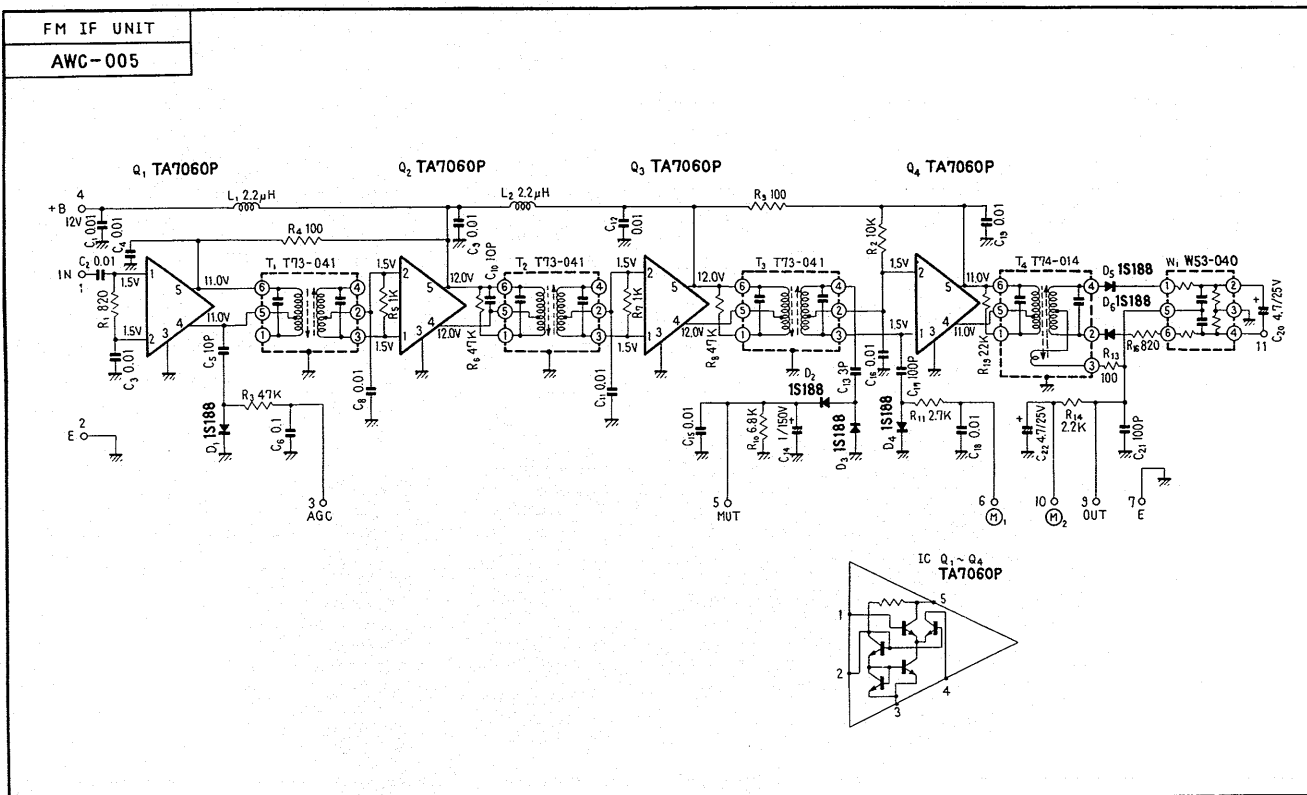
- S1 SELECTOR SWITCH (S13-038)
  1. A M
  2. FM MONO
  3. FM AUTO
  4. PHONO 1
  5. PHONO 2
  6. AUX 1
  7. AUX 2
  8. REV
  9. ST
  10. LT
  11. L \* R
- S2 MODE SWITCH (S14-035)
  1. REV
  2. ST
  3. LT
  4. RT
  5. L \* R
- S3 TONE COLOR SWITCH (S15-035)
  1. VIVID
  2. BASS
  3. FLAT
  4. SOFT
- S4 MIC A SWITCH (VR2)
  - OFF → ON
- S5 MIC B SWITCH (VR3)
  - OFF → ON
- S6 REVERB SWITCH (VR4)
  - OFF → ON
- S7 INTERCOUPLED SWITCH (S41-022)
  - INTERCOUPLED
  - PRE & MAIN SEPARATED
- S8 POWER SWITCH (S11-030)
  - OFF → ON
- S9 LINE VOLTAGE SELECTOR (S11-018)
  - OFF/100V/120V/130V/220V/240V
- VR1 SOURCE VOLUME (C88-010)
- VR2 MASTER VOLUME (C88-010)
- VR3 MIC A VOLUME (C85-056)
- VR4 MIC B VOLUME (C85-056)
- VR5 BALANCE VOLUME (C85-052)
- VR6 REVERB VOLUME (C85-055)

- ⎓ D.C. CURRENT
  - A ... AT NO SIGNAL INPUT
  - B ... AT 60 WATTS OUTPUT
  - C ... D.C. VOLTAGE
  - V ... AT NO SIGNAL INPUT
  - V ... AT 60 WATT OUTPUT
- (~) RIPPLE VOLTAGE
- ⎓ INPUT OR OUTPUT VOLTAGE ACQUIRED
- 60WATTS OUTPUT AT 1 K.Hz (R.M.S.)

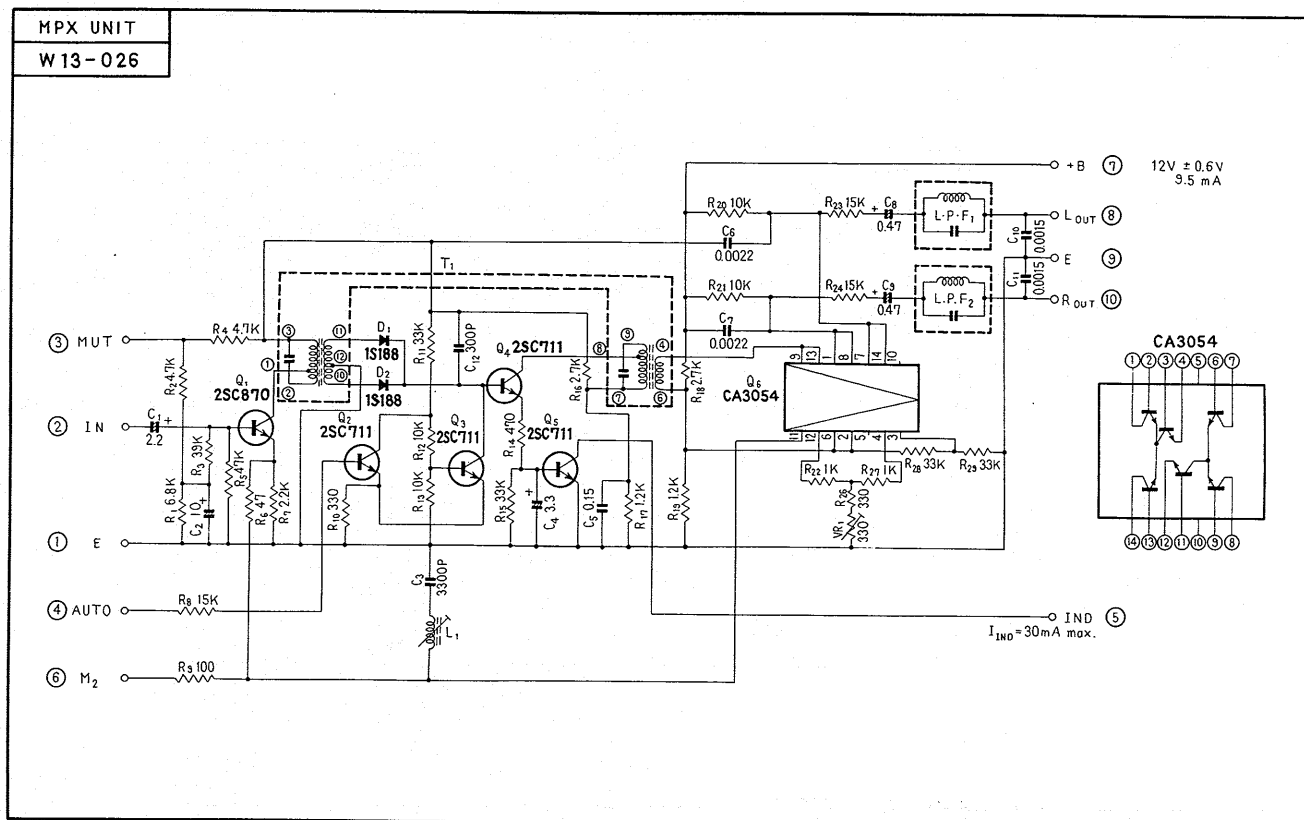
FM FRONT END



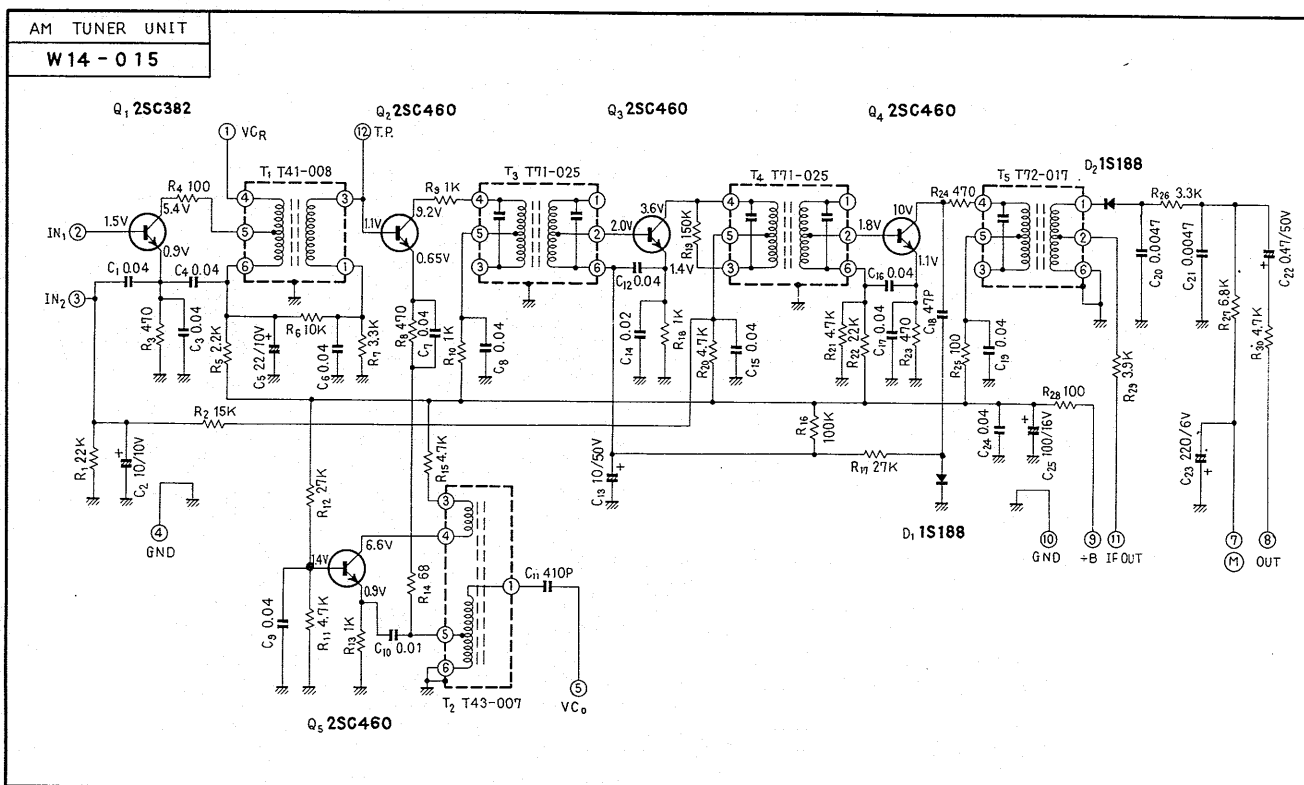
FM IF UNIT



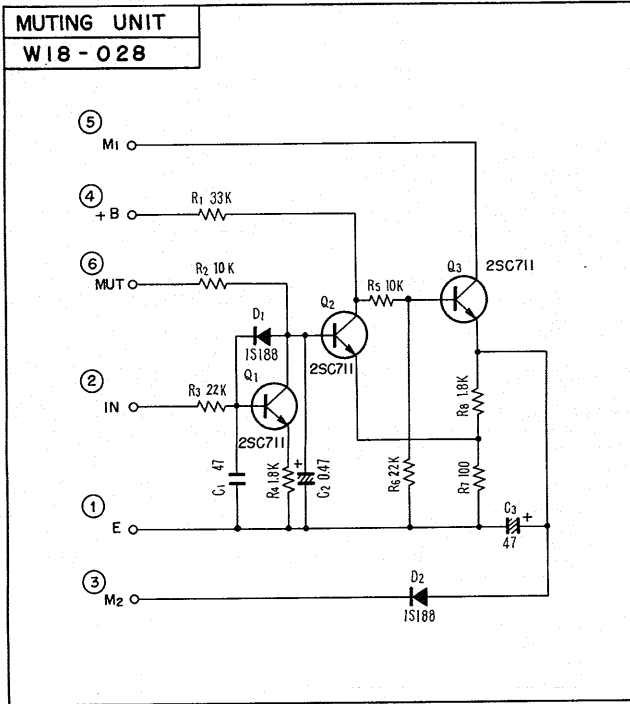
# MPX UNIT



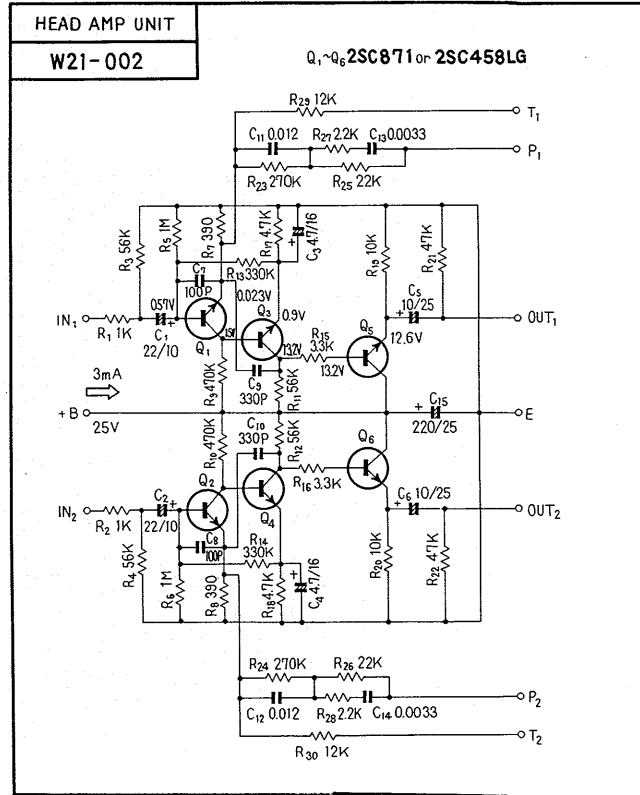
# AM TUNER UNIT



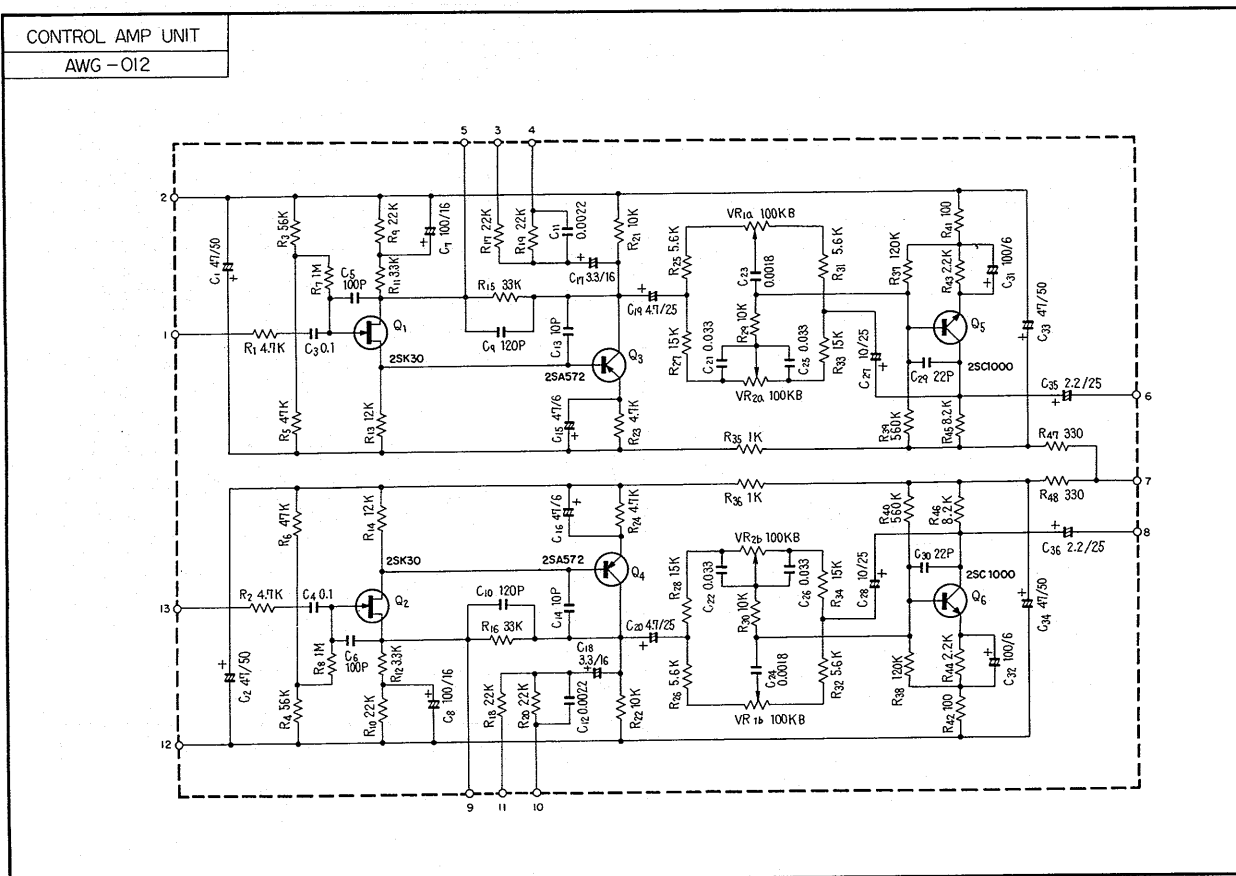
MUTING UNIT



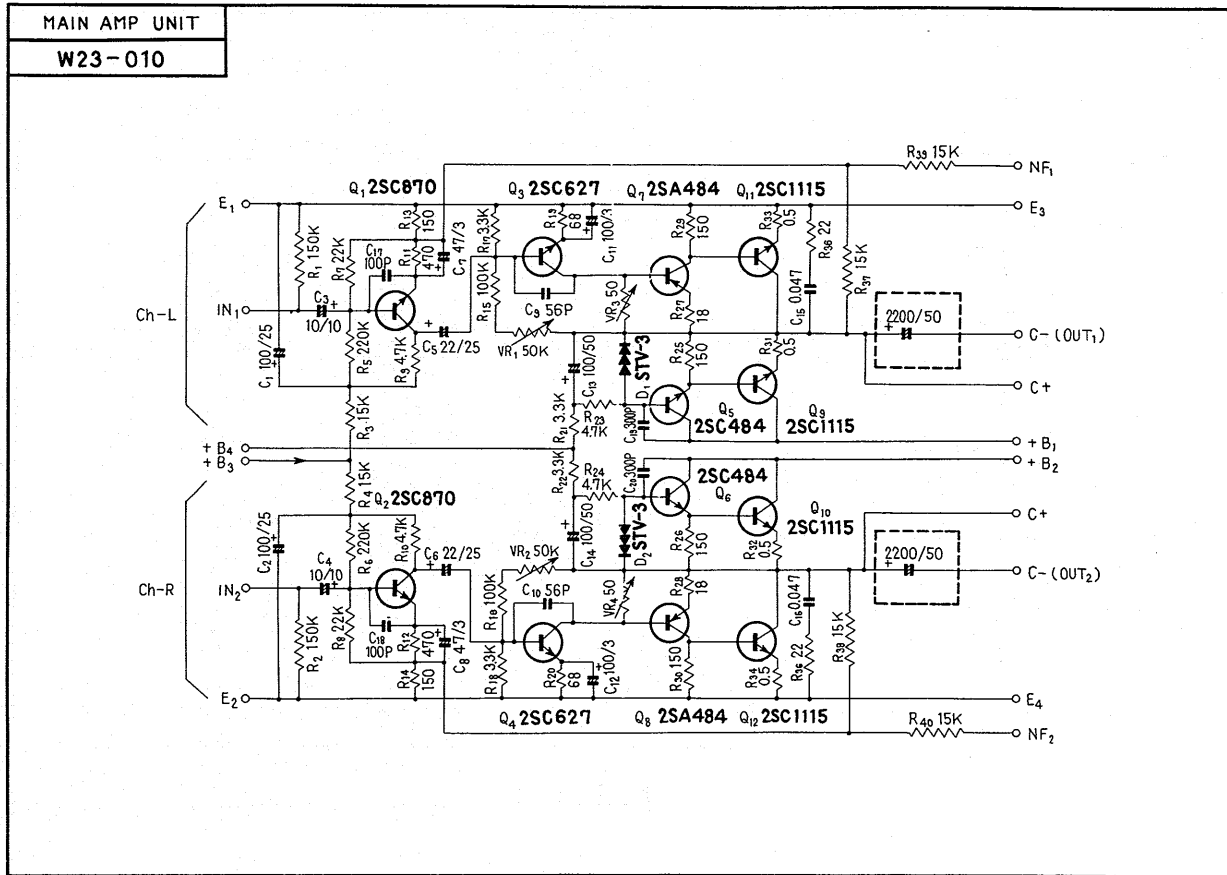
HEAD AMP UNIT



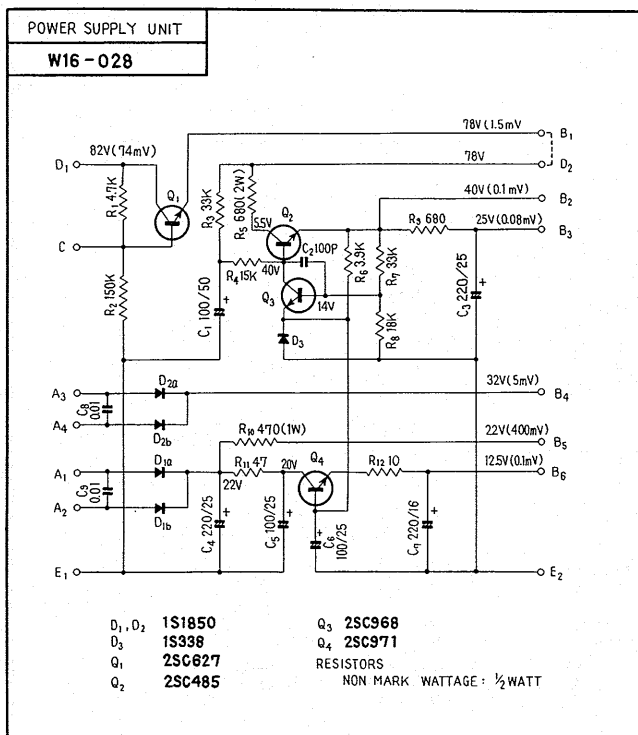
CONTROL AMP UNIT



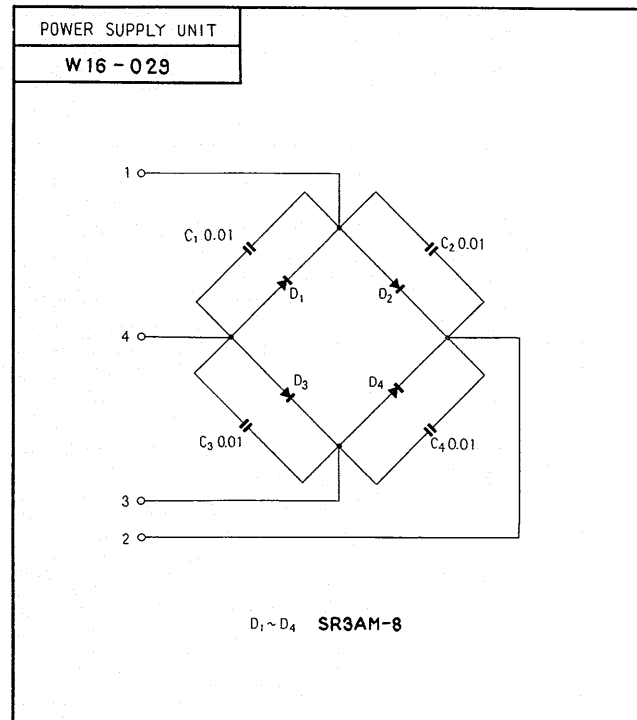
# MAIN AMP UNIT



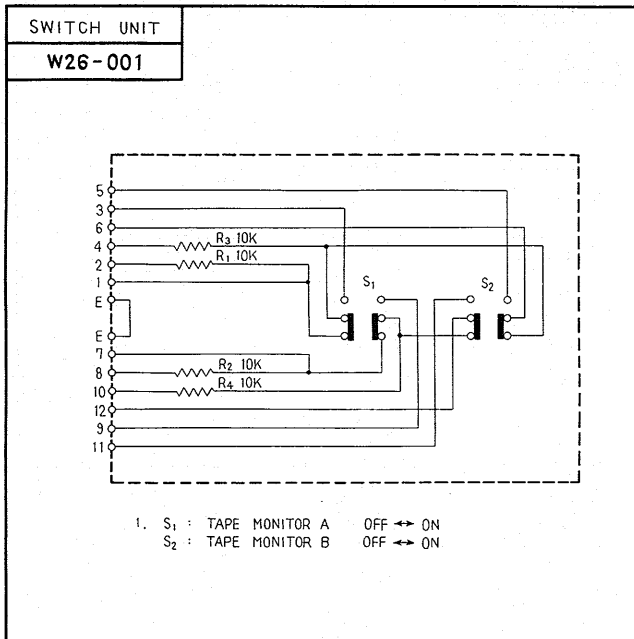
# POWER SUPPLY UNIT



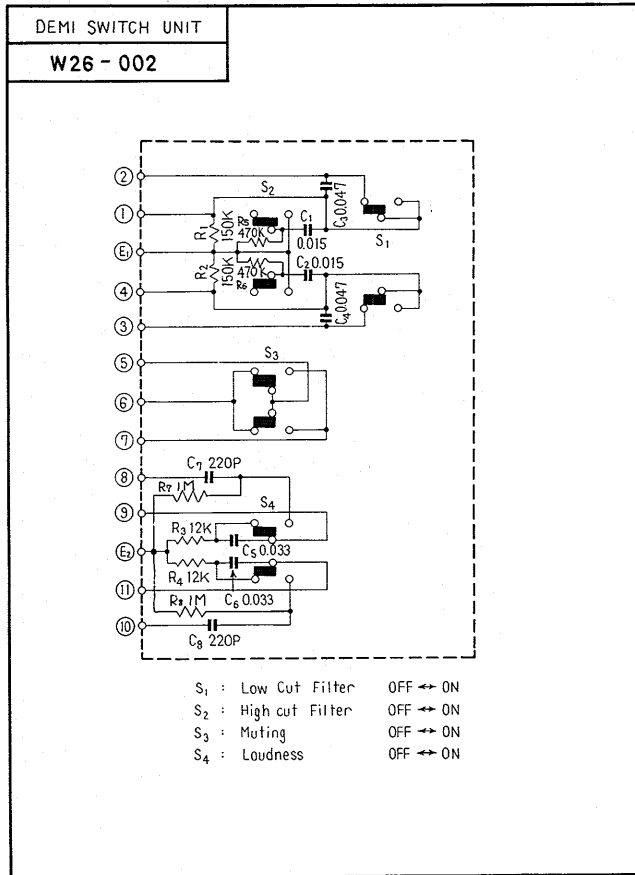
# POWER SUPPLY UNIT



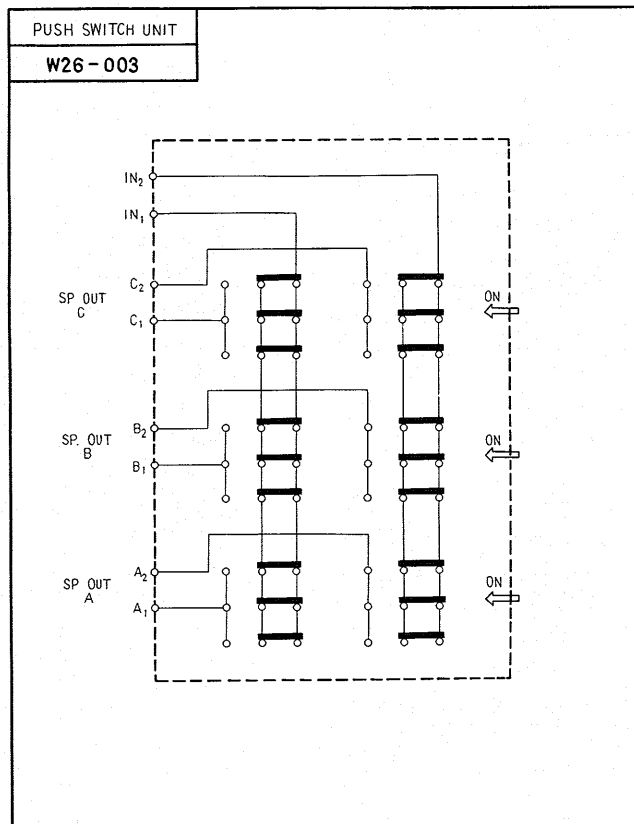
SWITCH UNIT



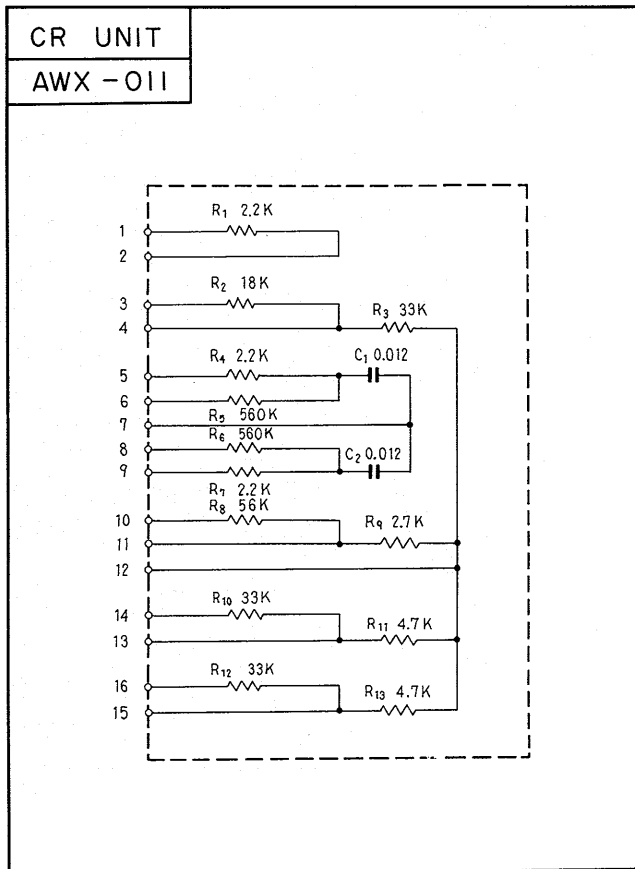
DEMI SWITCH UNIT



PUSH SWITCH UNIT

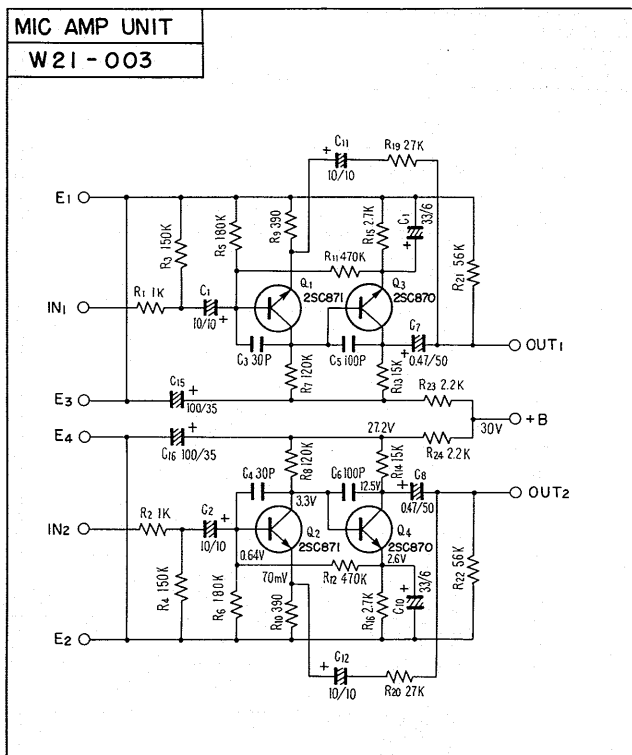


CR UNIT

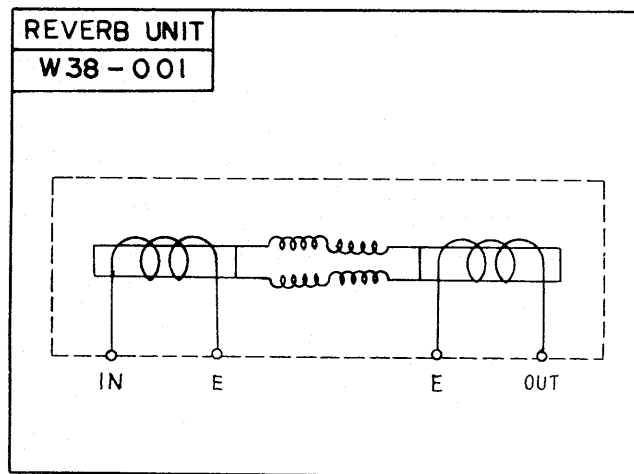




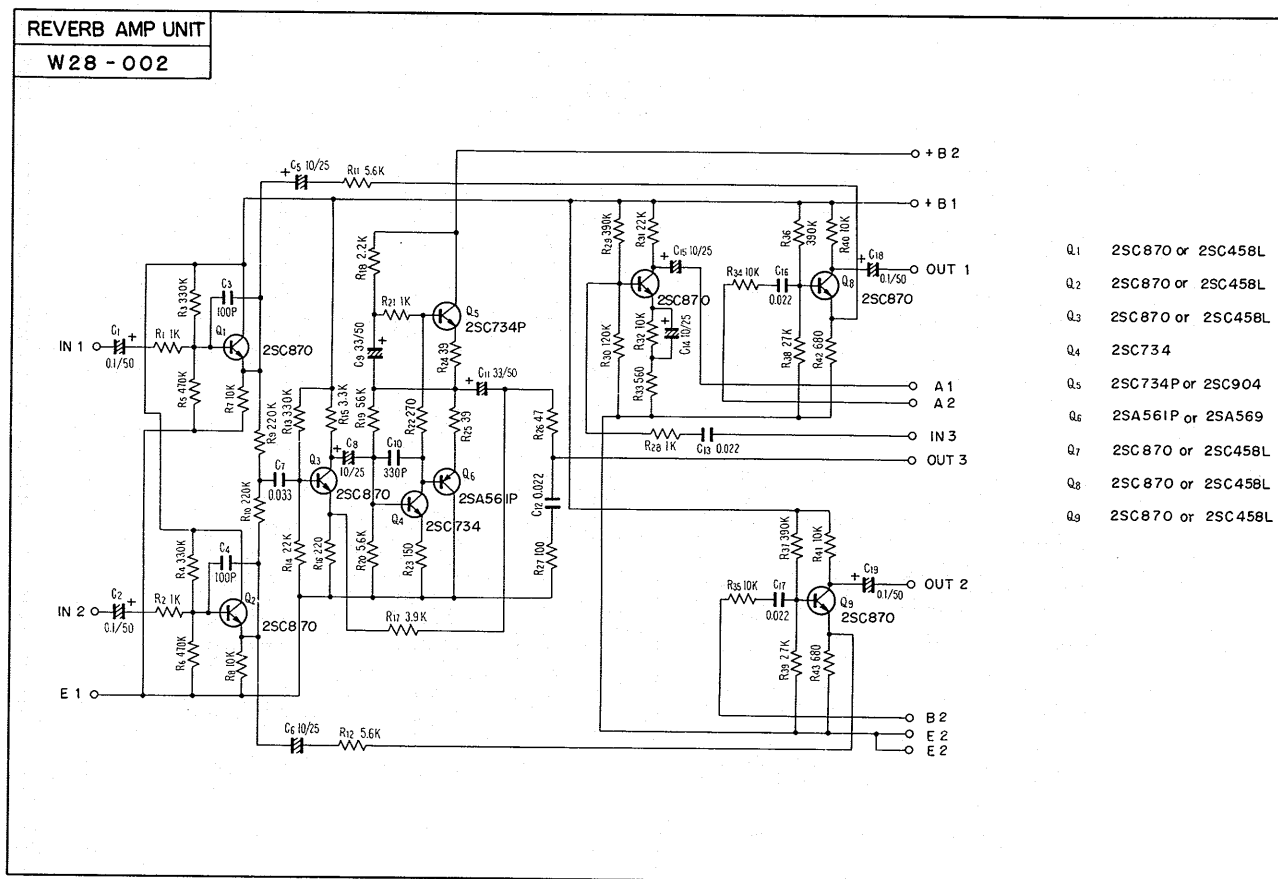
### MIC AMP UNIT



### REVERBE UNIT



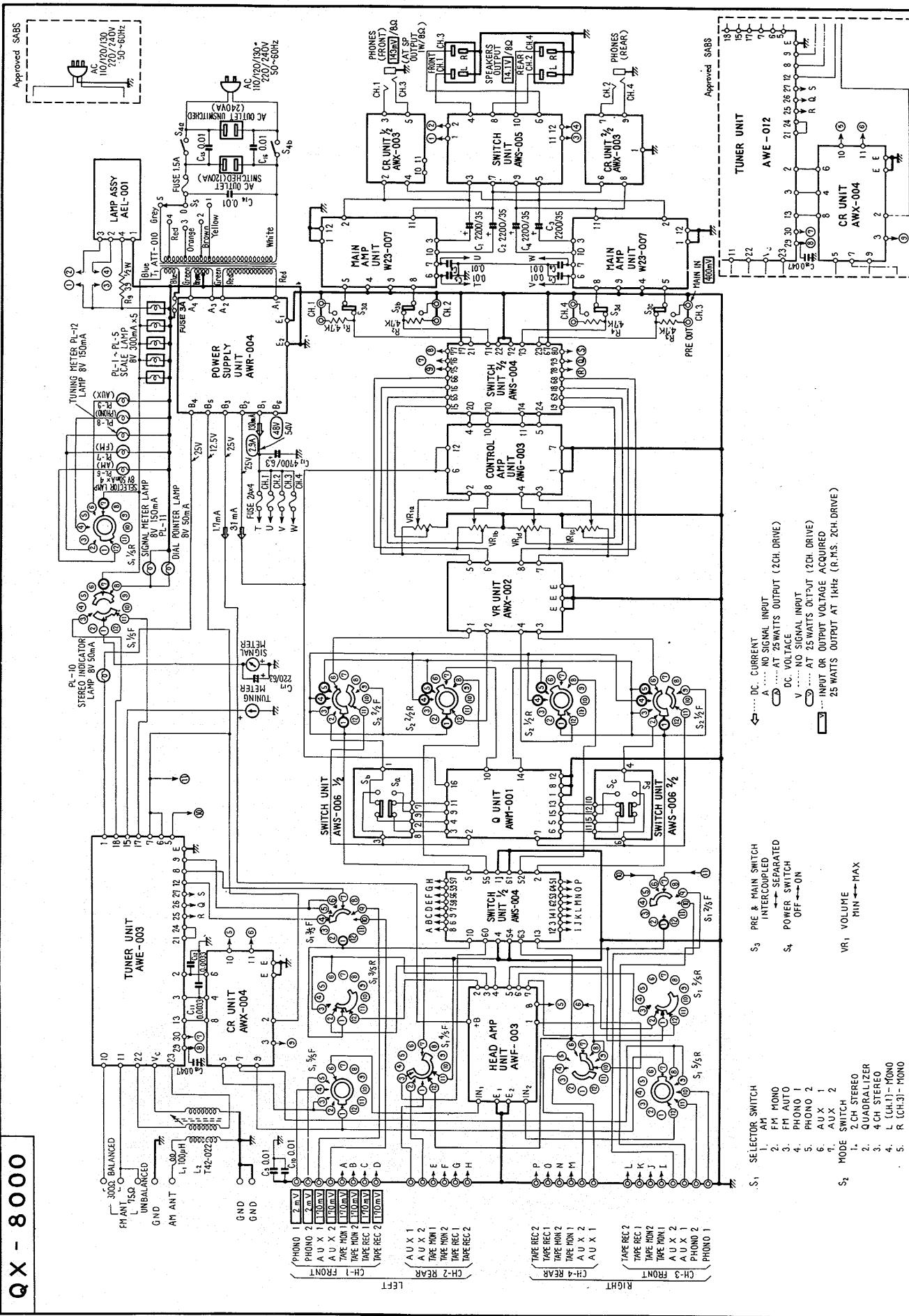
### REVERBE AMP UNIT



**QUADRAPHONIC RECEIVER  
QX-8000**

UNIT	ROUND LABEL	FW	FSAW				
TUNER UNIT		AWE-003	AWE-012				
FM FRONT END							
CR UNIT		AWX-003	AWX-003				
CR UNIT		AWX-004	AWX-004				
AM TUNER UNIT							
Q UNIT		AWM-001	AWM-001				
HEAD AMP UNIT		AWF-003	AWF-003				
CONTROL AMP UNIT		AWG-003	AWG-003				
MAIN AMP UNIT		W23-007	W23-007				
POWER SUPPLY UNIT		AWR-004	AWR-004				
SWITCH UNIT		AWS-004	AWS-004				
SWITCH UNIT		AWS-005	AWS-005				
SWITCH UNIT		AWS-006	AWS-006				
TONE COLOR UNIT							
VR UNIT		AWX-002	AWX-002				
MIC AMP UNIT							
REVERBE AMP UNIT							
REVERBE UNIT							

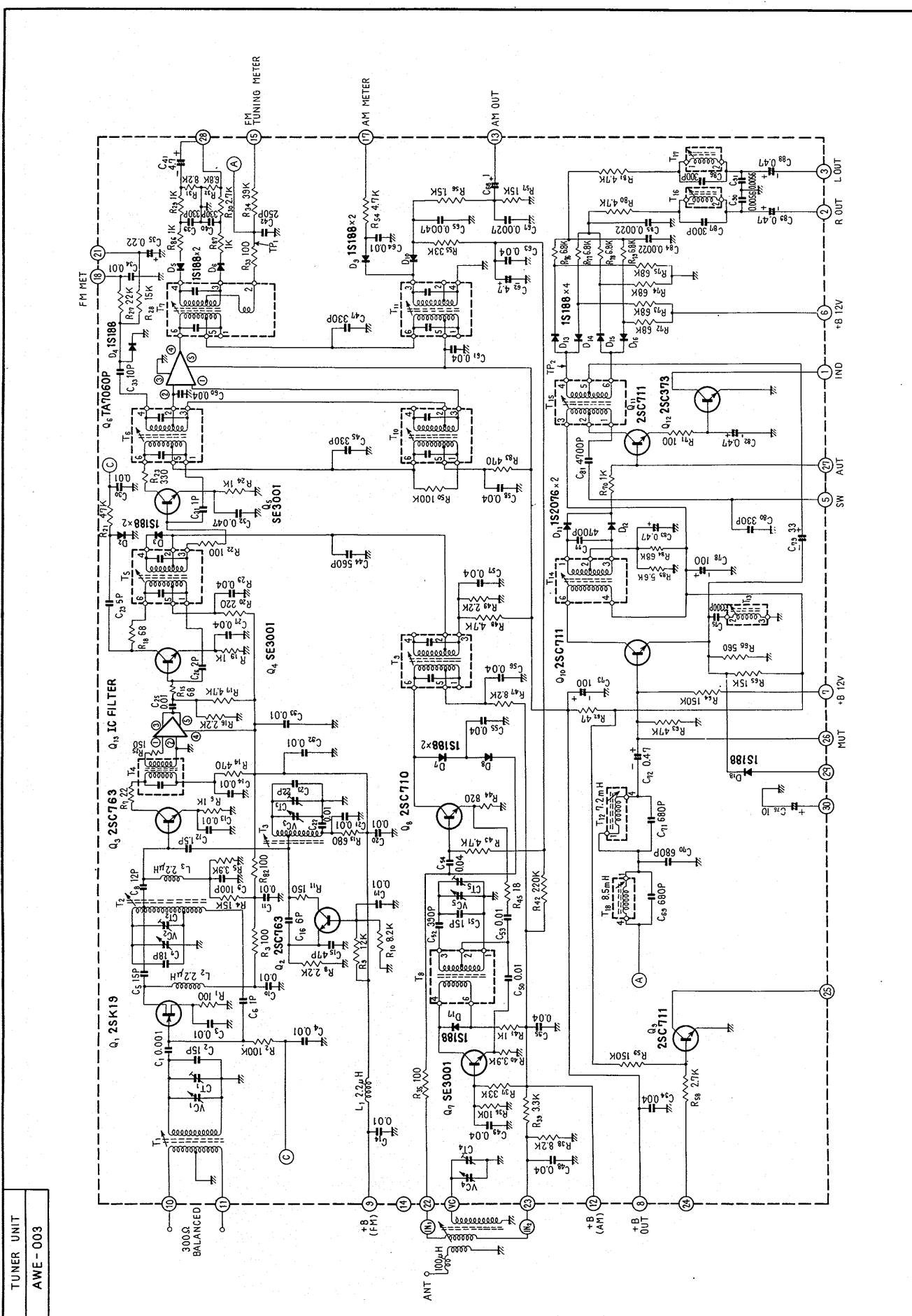




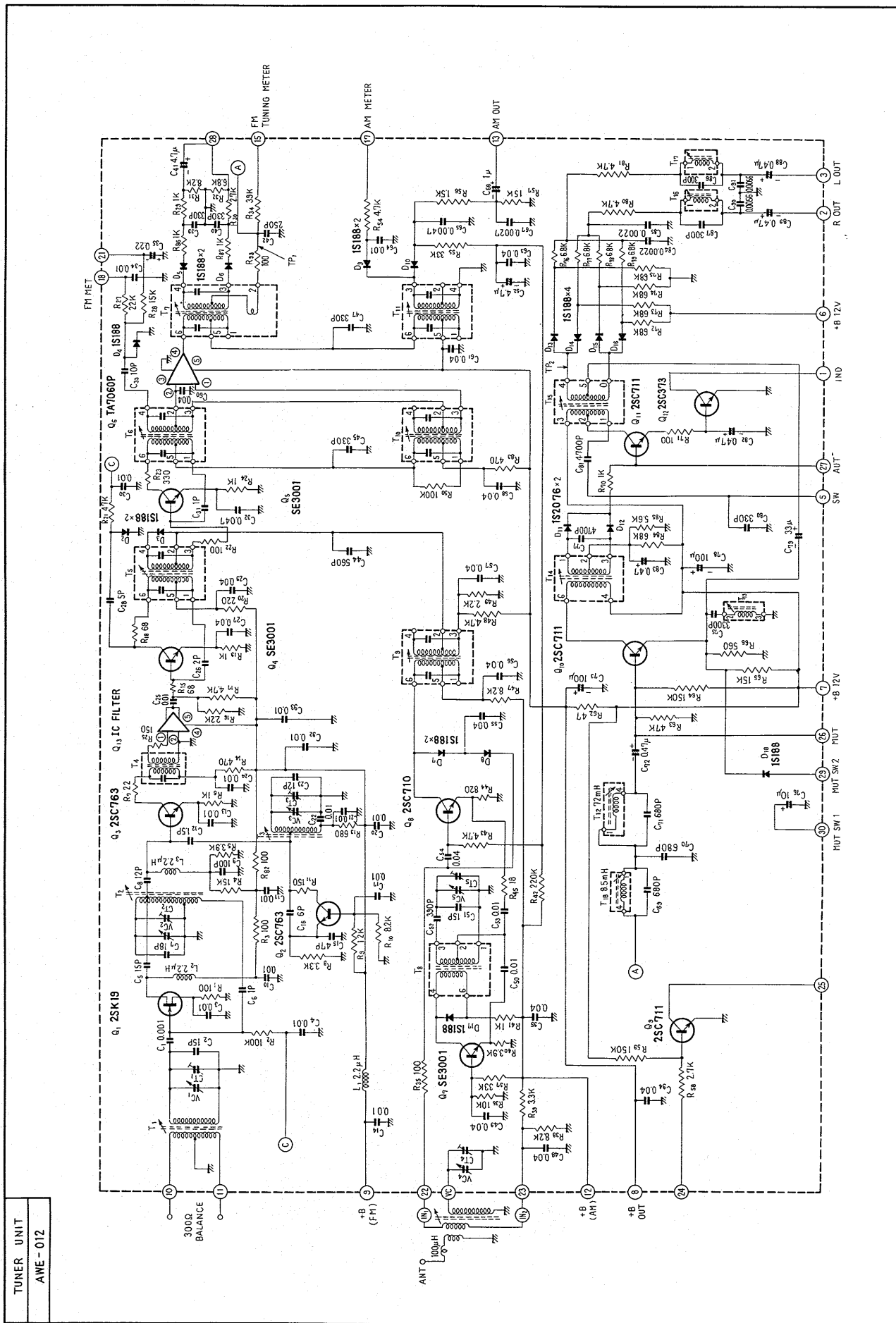
**QX - 8000**

- ← ... DC CURRENT  
 A ... NO SIGNAL INPUT  
 C ... AT 25WATTS OUTPUT (2CH DRIVE)  
 DC VOLTAGE  
 V ... NO SIGNAL INPUT  
 ... INPUT OR OUTPUT VOLTAGE ACQUIRED  
 ... 25 WATTS OUTPUT AT 1kHz (R.M.S. 2CH DRIVE)
- S<sub>3</sub> PRE & MAIN SWITCH INTERCOUPLED  
 S<sub>4</sub> POWER SWITCH SEPARATED OFF → ON  
 VR, VOLUME RIN ← MAX
- S<sub>1</sub> SELECTOR SWITCH  
 1. FM MONO  
 2. FM AUTO  
 3. PHONO 1  
 4. PHONO 2  
 5. PHONO 1  
 6. AUX 1  
 7. AUX 2  
 S<sub>2</sub> MODE SWITCH  
 1. 2CH STEREO  
 2. QUADRALIZER  
 3. 4CH STEREO  
 4. L (CH.1) - MONO  
 5. R (CH.3) - MONO

TUNER UNIT



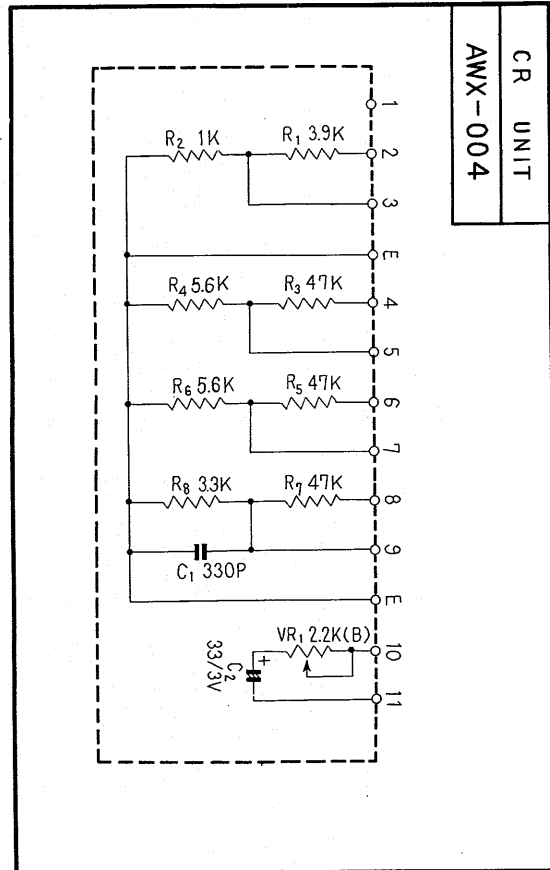
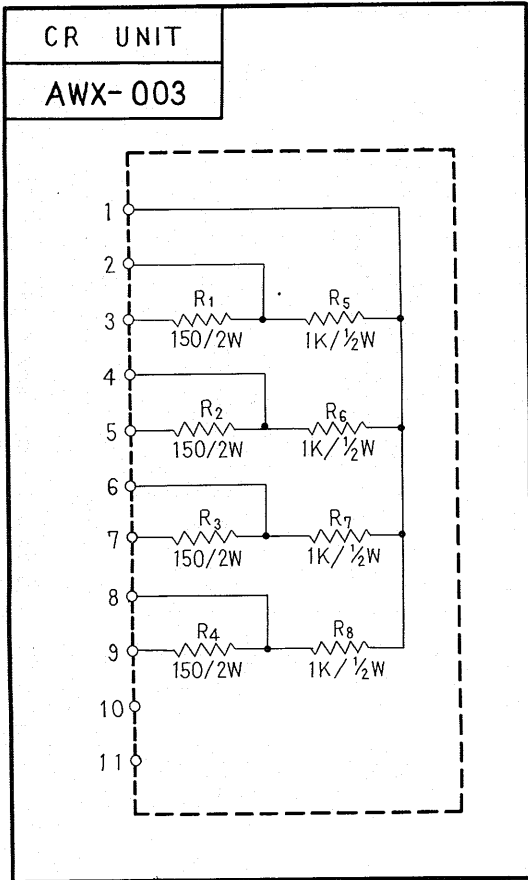
TUNER UNIT for FSAW model



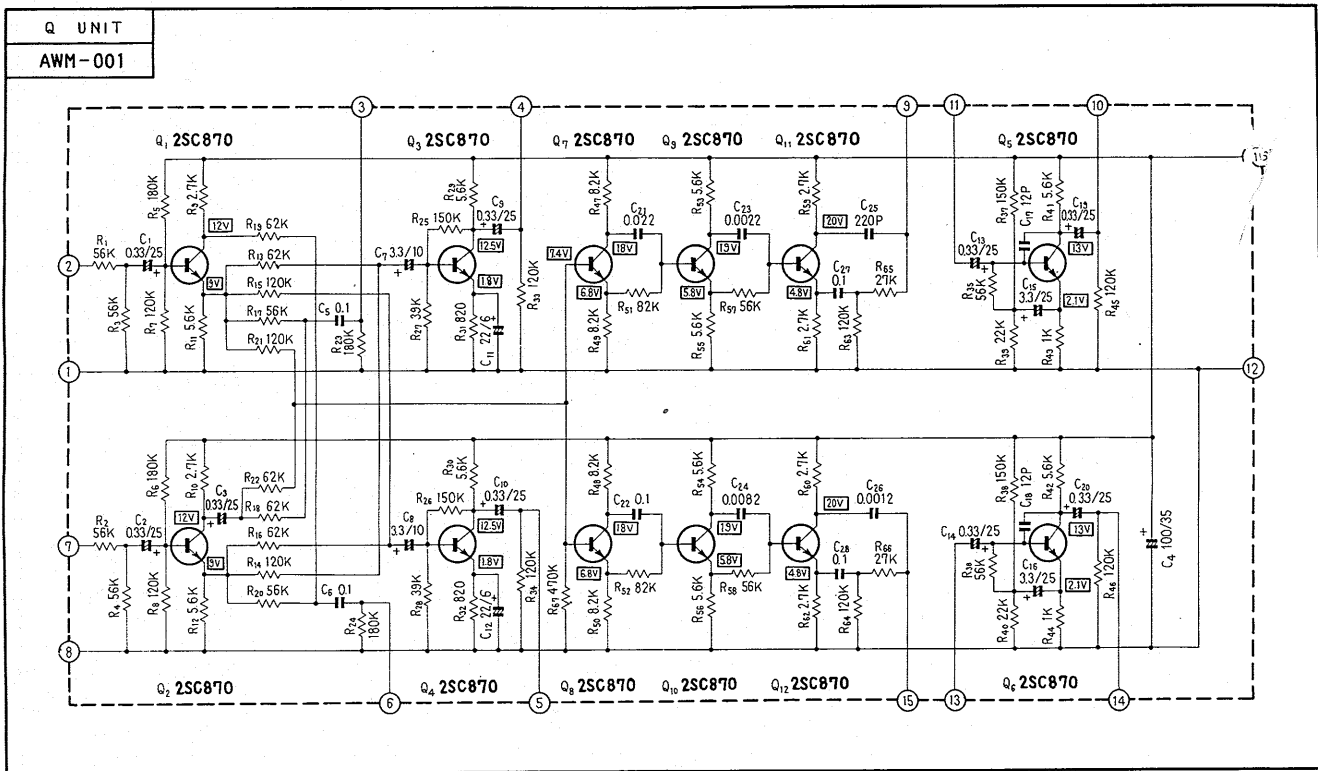
TUNER UNIT  
AWE-012

CR UNIT

CR UNIT

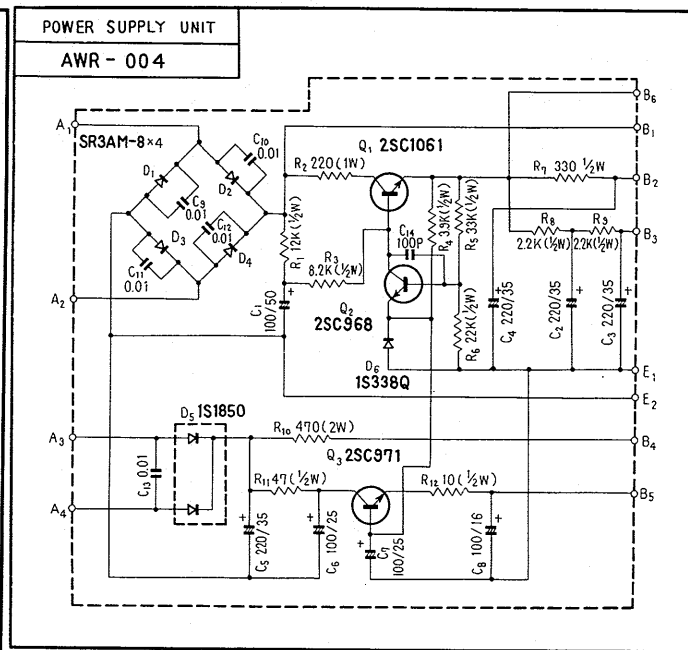
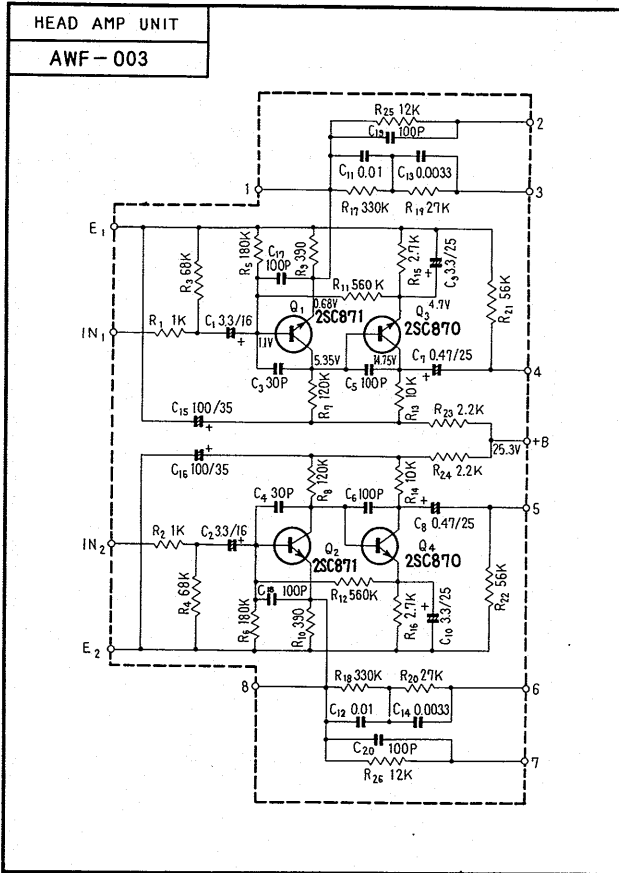


Q UNIT

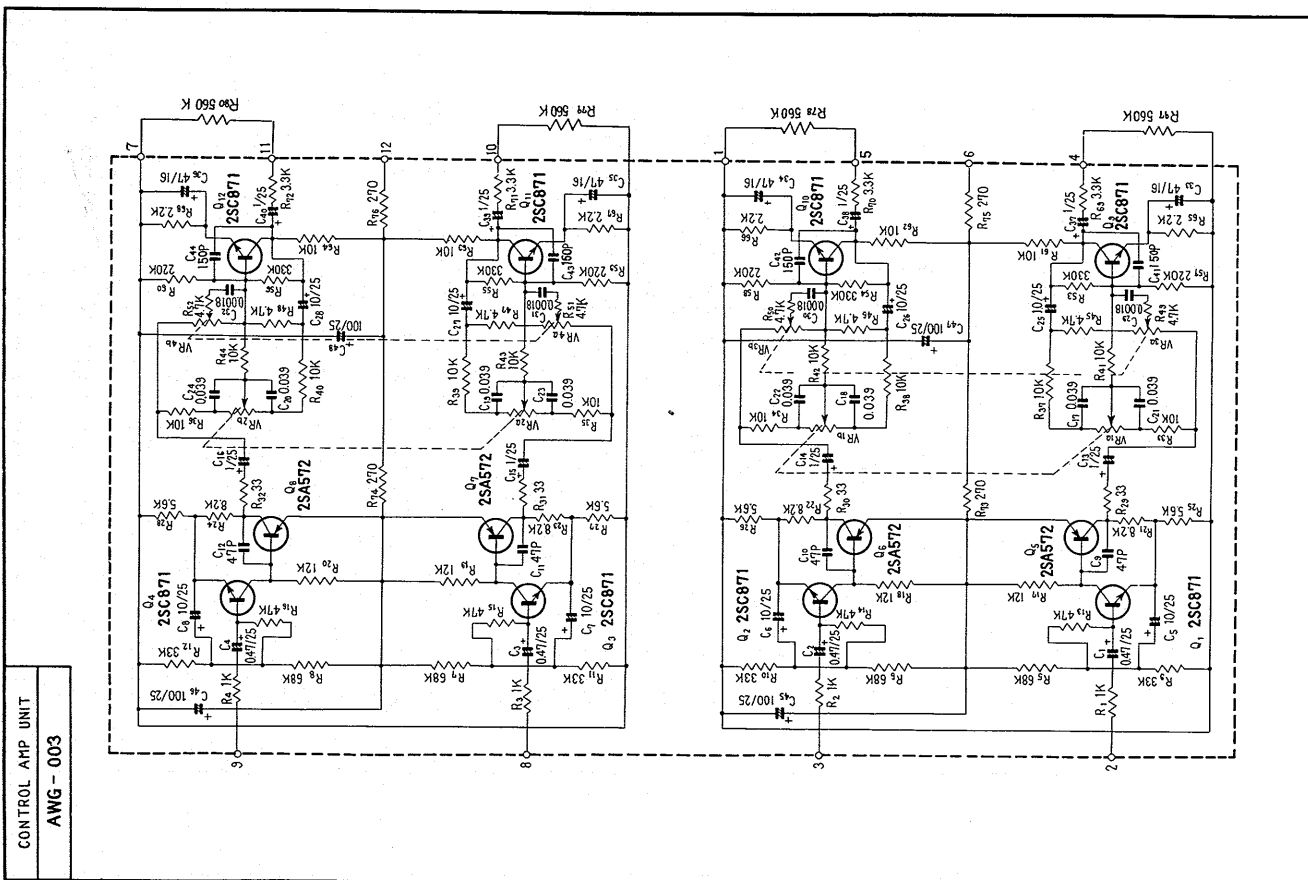


# HEAD AMP UNIT

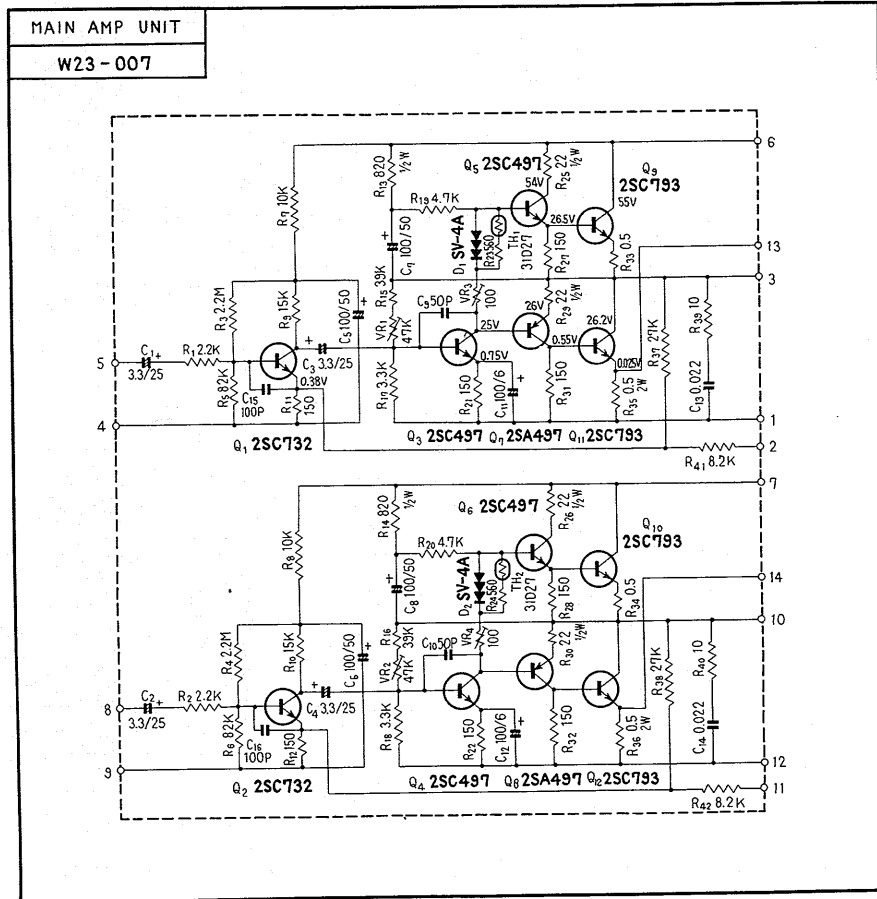
# POWER SUPPLY UNIT



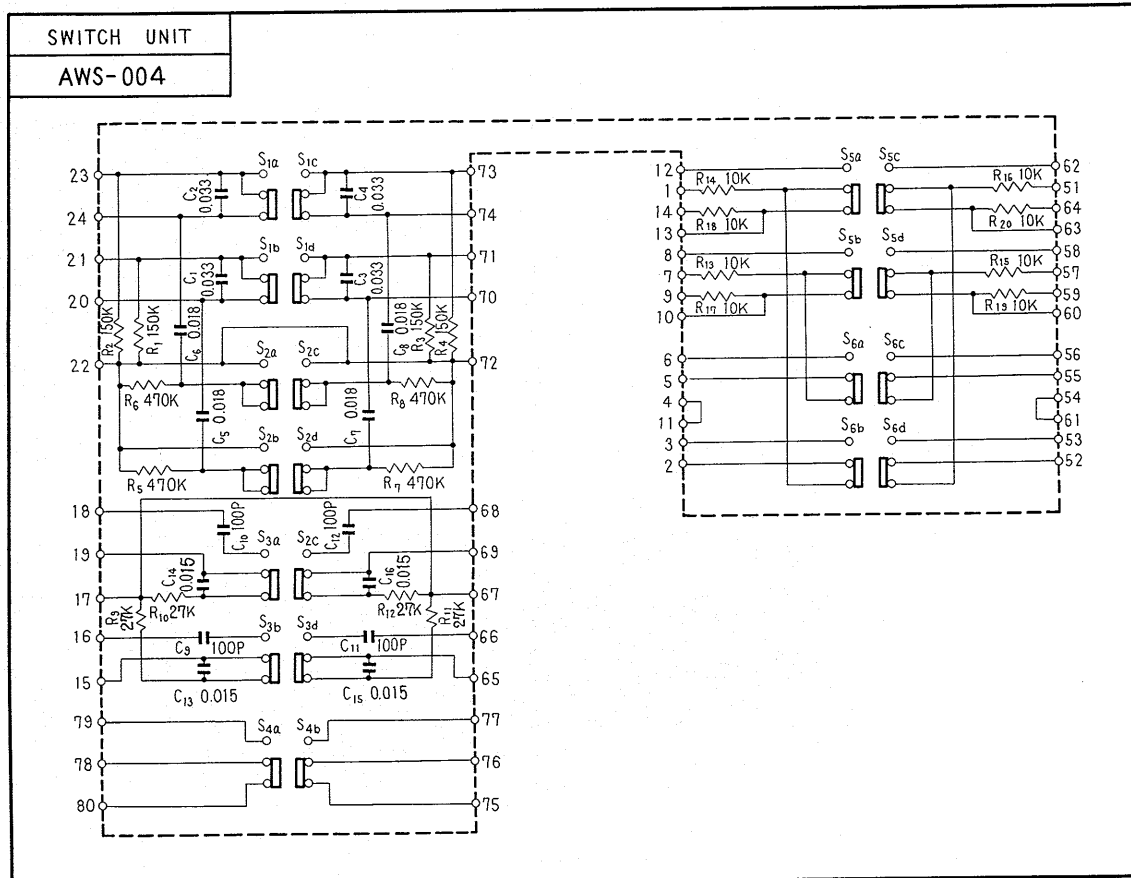
# CONTROL AMP UNIT



MAIN AMP UNIT

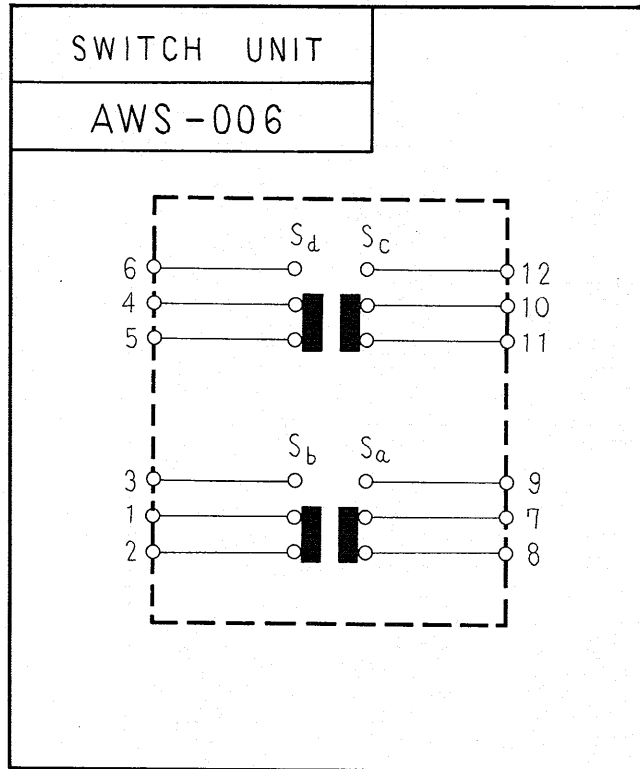


SWITCH UNIT

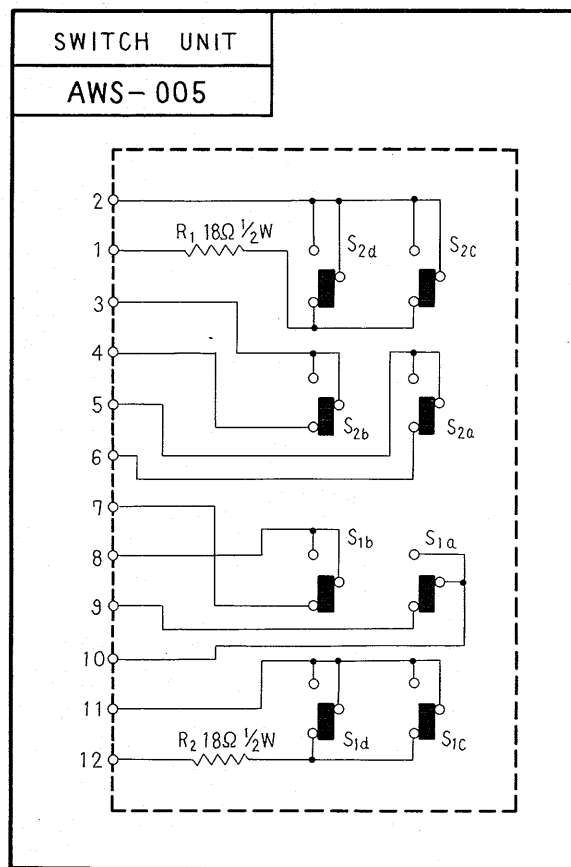




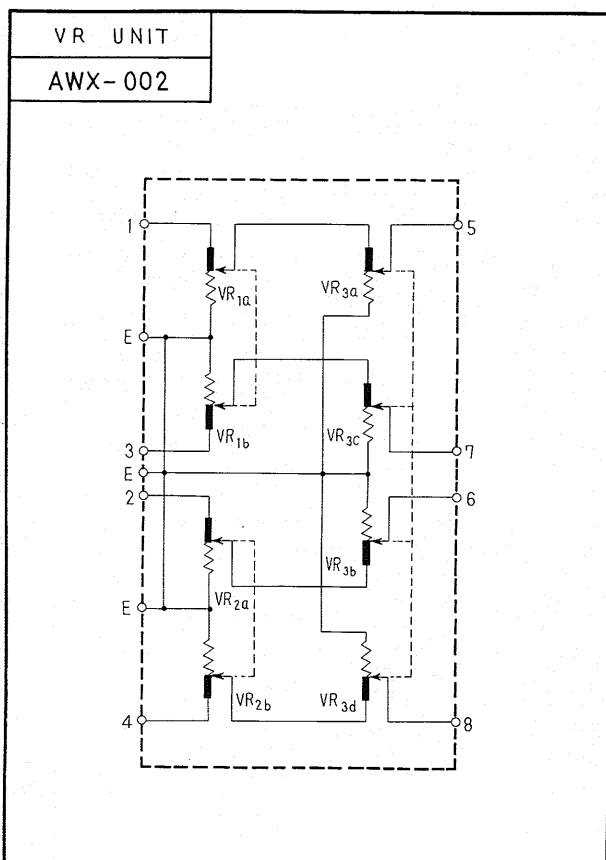
SWITCH UNIT



SWITCH UNIT

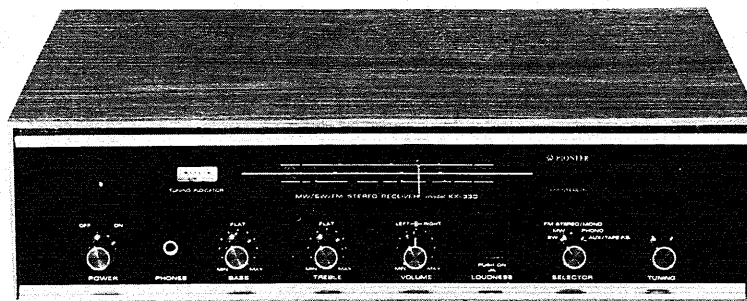


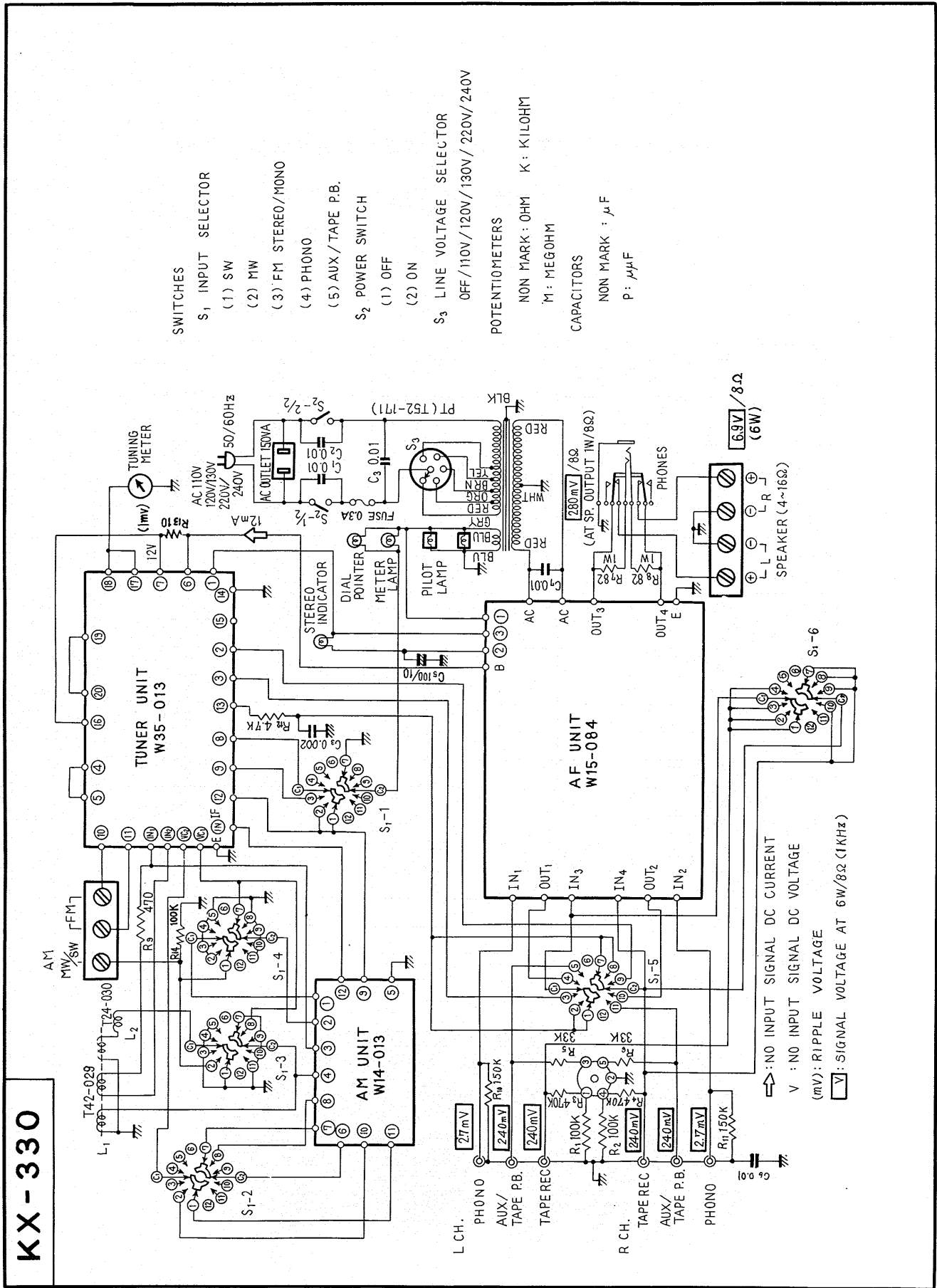
VR UNIT



## SW/MW/FM STEREO RECEIVER KX-330

ROUND LABEL UNIT	FSAW					
TUNER UNIT	W35-013					
FM FRONT END						
FM IF UNIT						
MPX UNIT						
AM UNIT	W14-013					
MUTING UNIT						
AF UNIT	W15-084					
CONTROL AMP UNIT						
MAIN AMP UNIT						
POWER SUPPLY UNIT						
SWITCH UNIT						
SWITCH UNIT						
SWITCH UNIT						
TONE COLOR UNIT						
CONTROL UNIT						
MIC AMP UNIT						
REVERBE AMP UNIT						
REVERBE UNIT						





**SWITCHES**

S<sub>1</sub> INPUT SELECTOR  
 (1) SW  
 (2) MW  
 (3) FM STEREO/MONO  
 (4) PHONO  
 (5) AUX/TAPE P.B.

S<sub>2</sub> POWER SWITCH  
 (1) OFF  
 (2) ON

S<sub>3</sub> LINE VOLTAGE SELECTOR  
 OFF/110V/120V/130V/220V/240V

**POTENTIOMETERS**

NON MARK : OHM K : KILOHM  
 M : MEGOHM

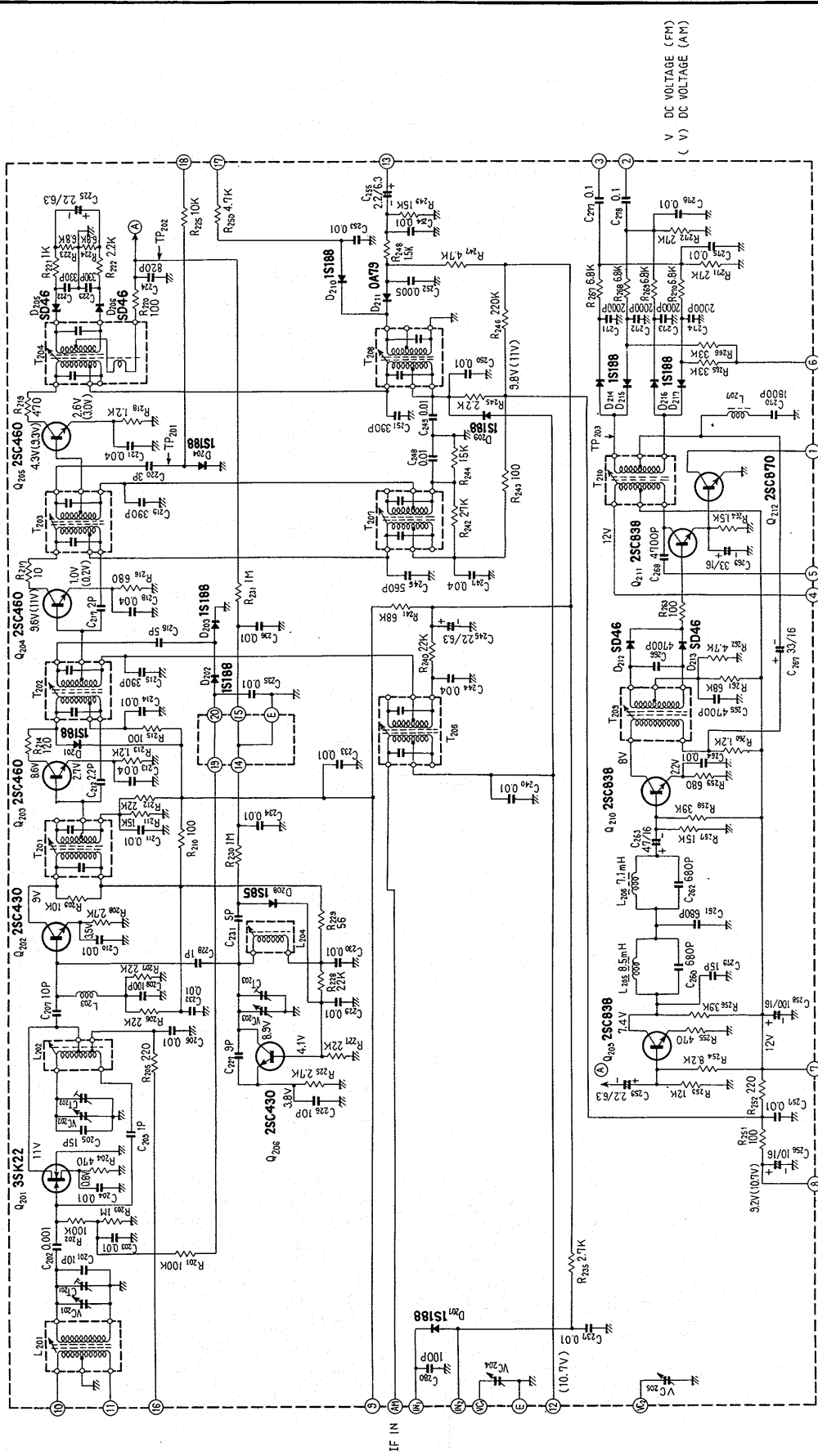
**CAPACITORS**

NON MARK : μF  
 P : μμF

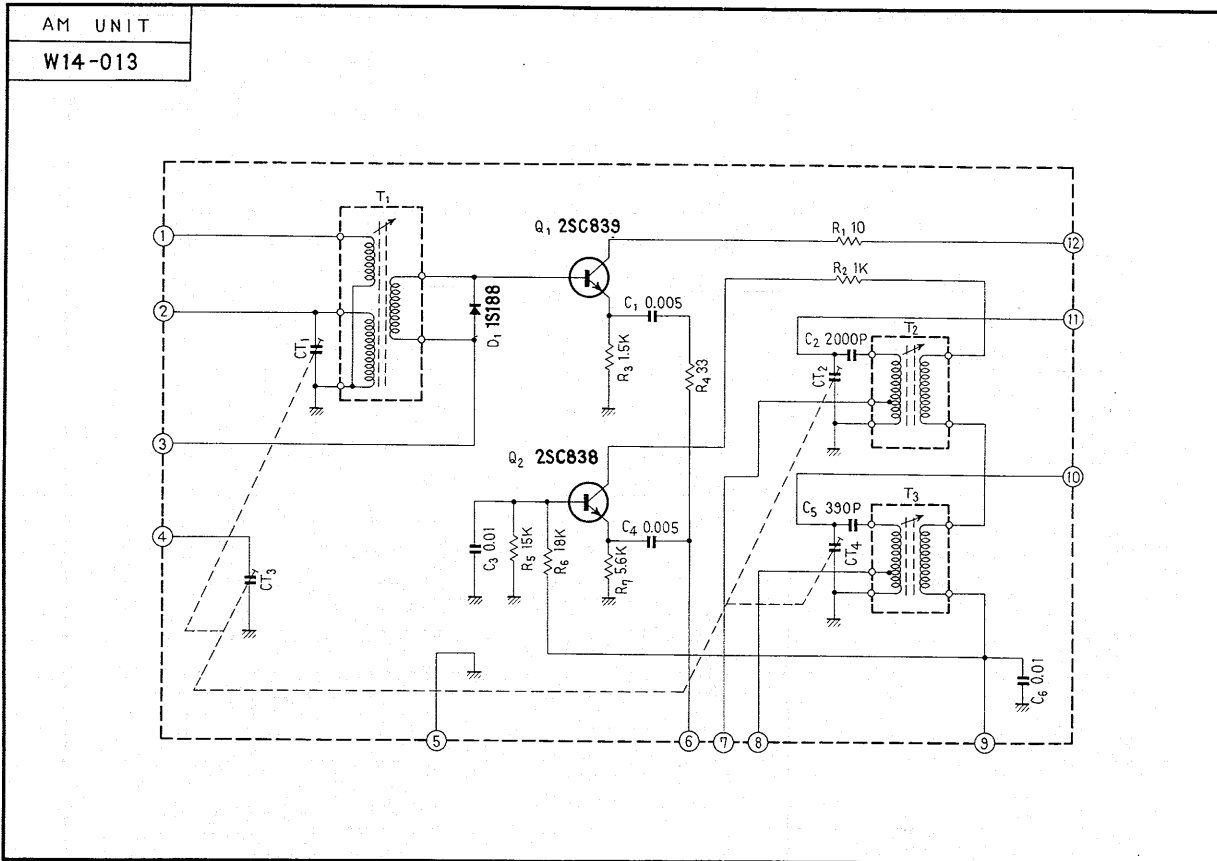
**KX-330**

TUNER UNIT

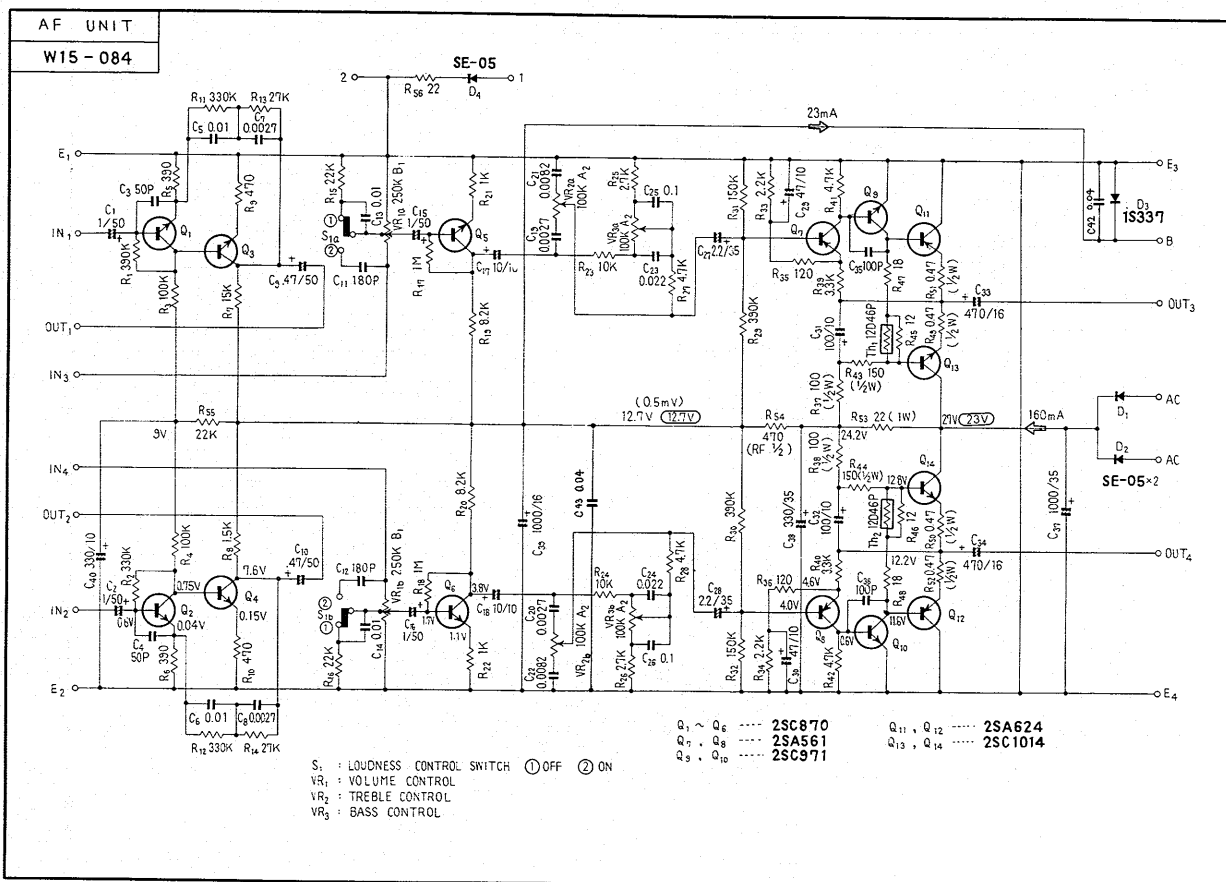
TUNER UNIT  
W35-013



# AM UNIT

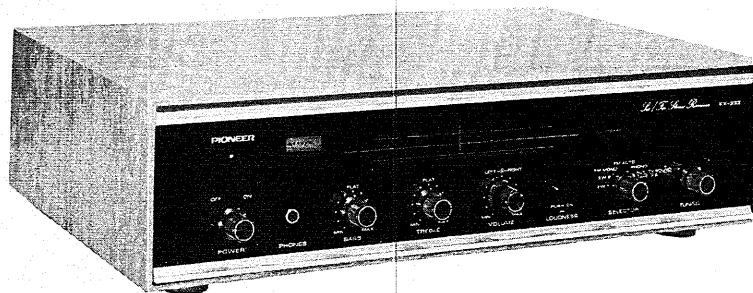


# AF UNIT

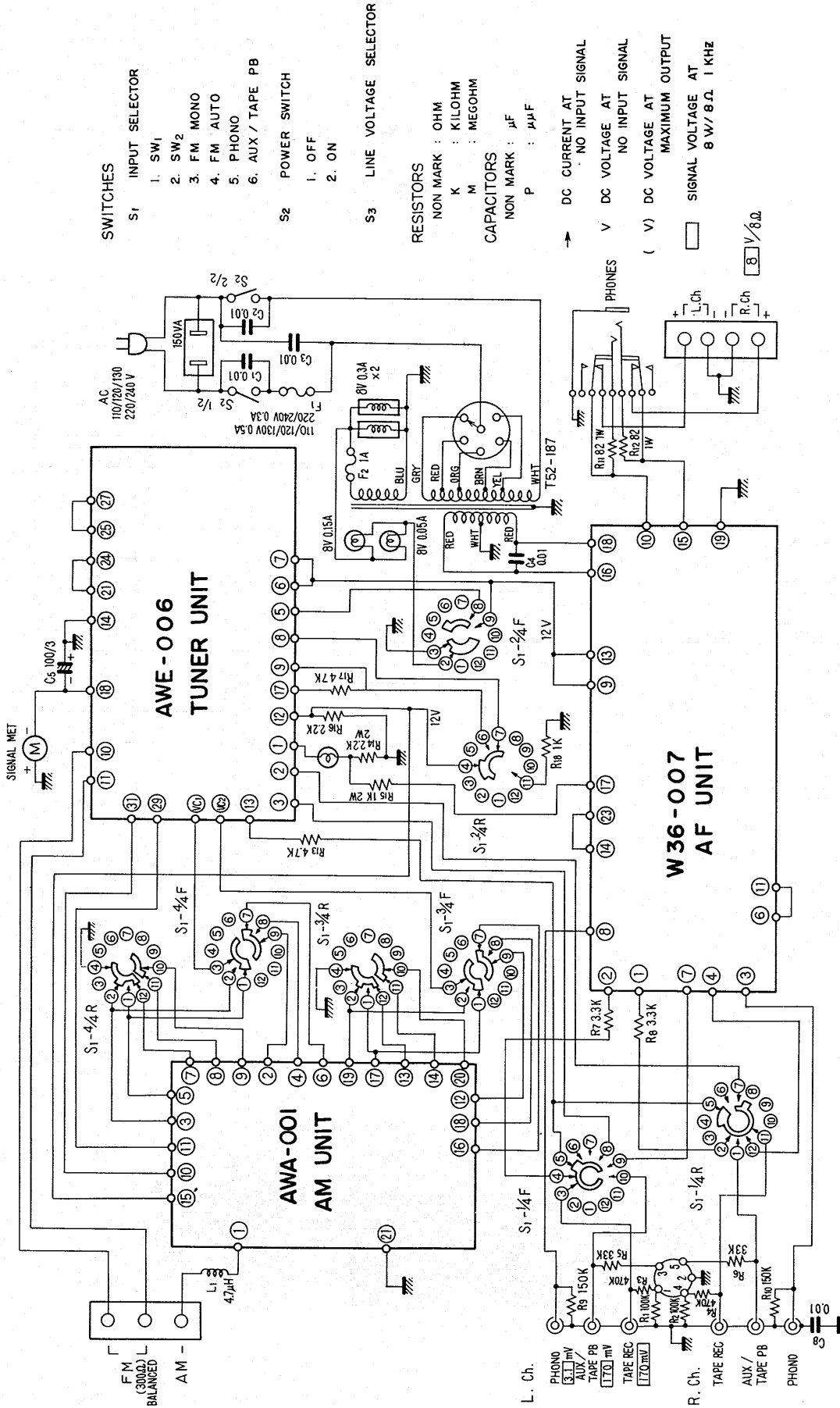


## SW/MW/FM STEREO RECEIVER KX-333

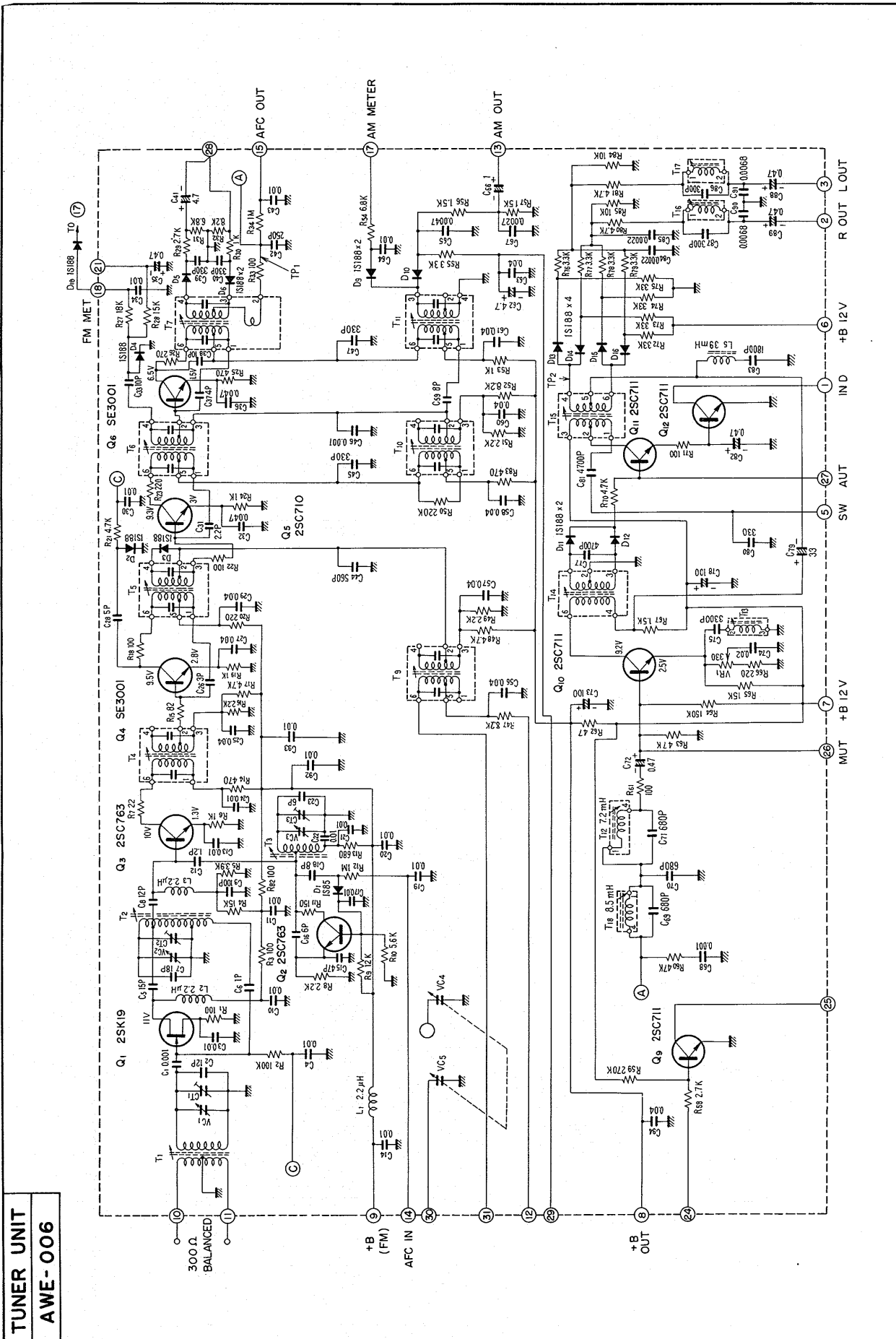
UNIT	ROUND LABEL	FSAW					
TUNER UNIT		AWE-006					
FM FRONT END							
FM IF UNIT							
MPX UNIT							
AM UNIT		AWA-001					
MUTING UNIT							
AF UNIT		W36-007					
CONTROL AMP UNIT							
MAIN AMP UNIT							
POWER SUPPLY UNIT							
SWITCH UNIT							
SWITCH UNIT							
SWITCH UNIT							
TONE COLOR UNIT							
CONTROL UNIT							
MIC AMP UNIT							
REVERBE AMP UNIT							
REVERBE UNIT							



KX-333



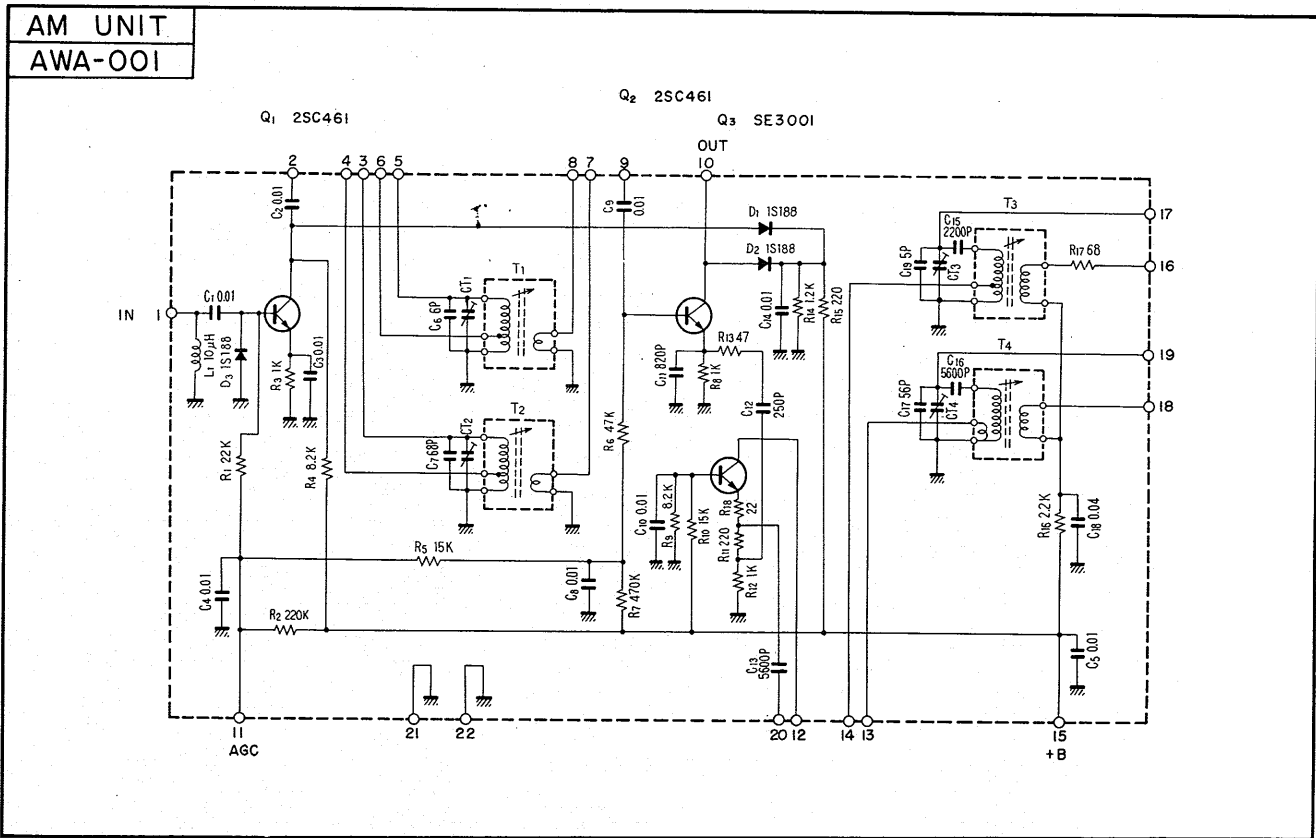
TUNER UNIT



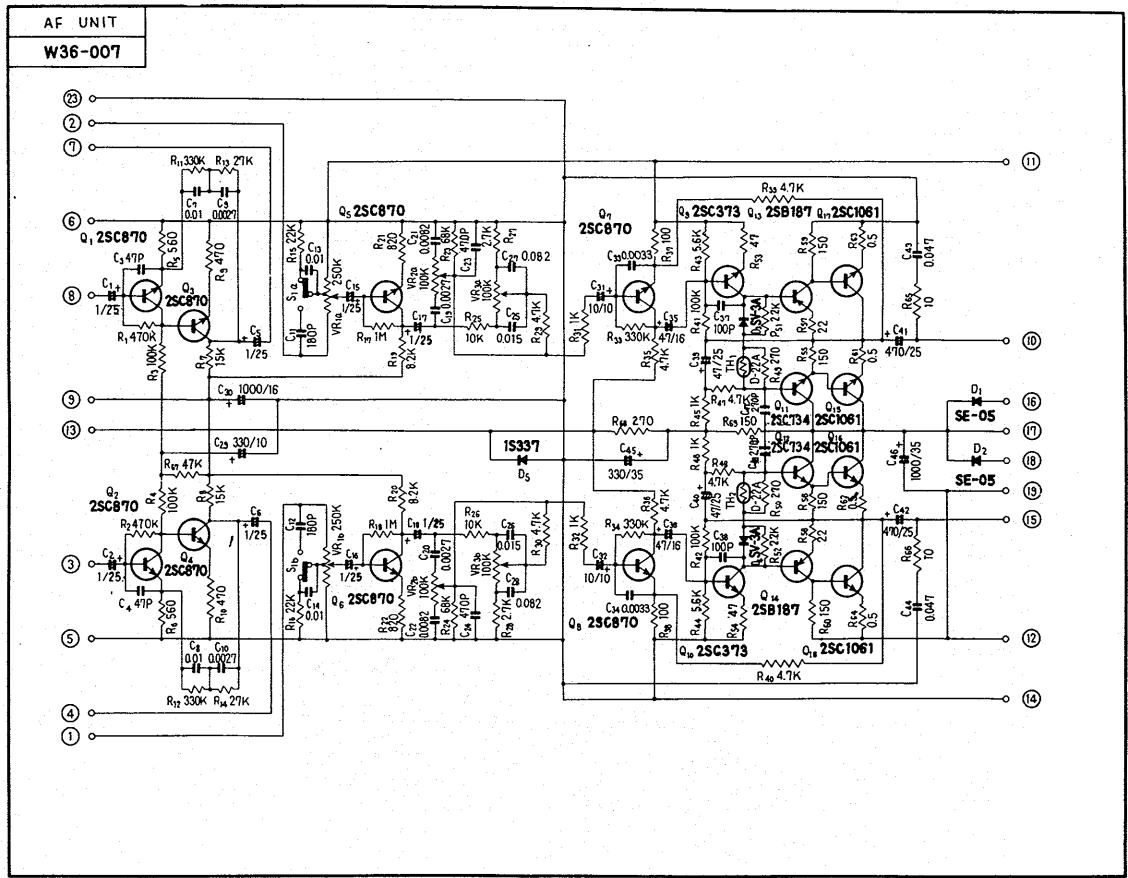
TUNER UNIT  
AWE-006



# AM UNIT



# AF UNIT

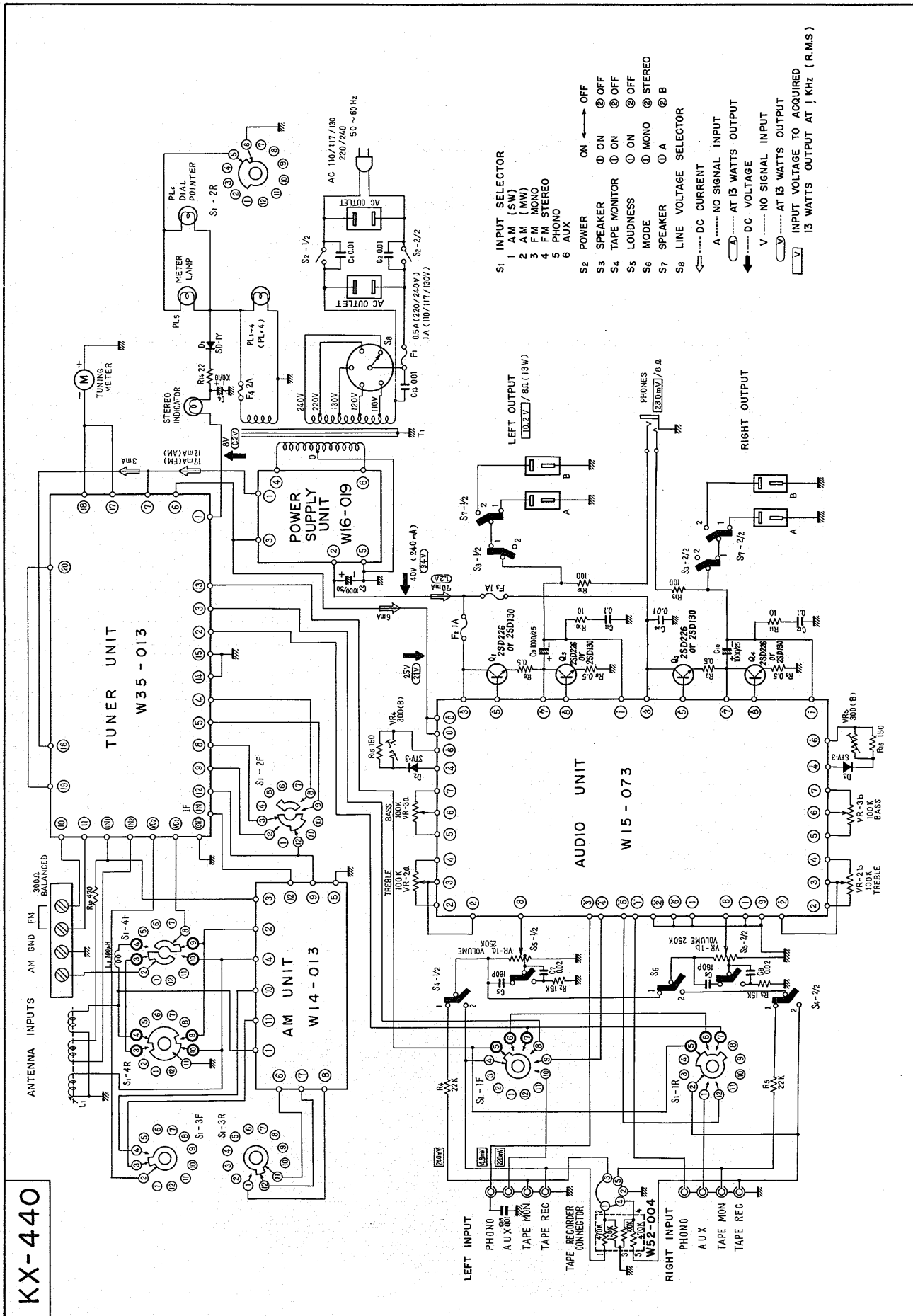


**SW/MW/FM STEREO RECEIVER**

**KX-440**

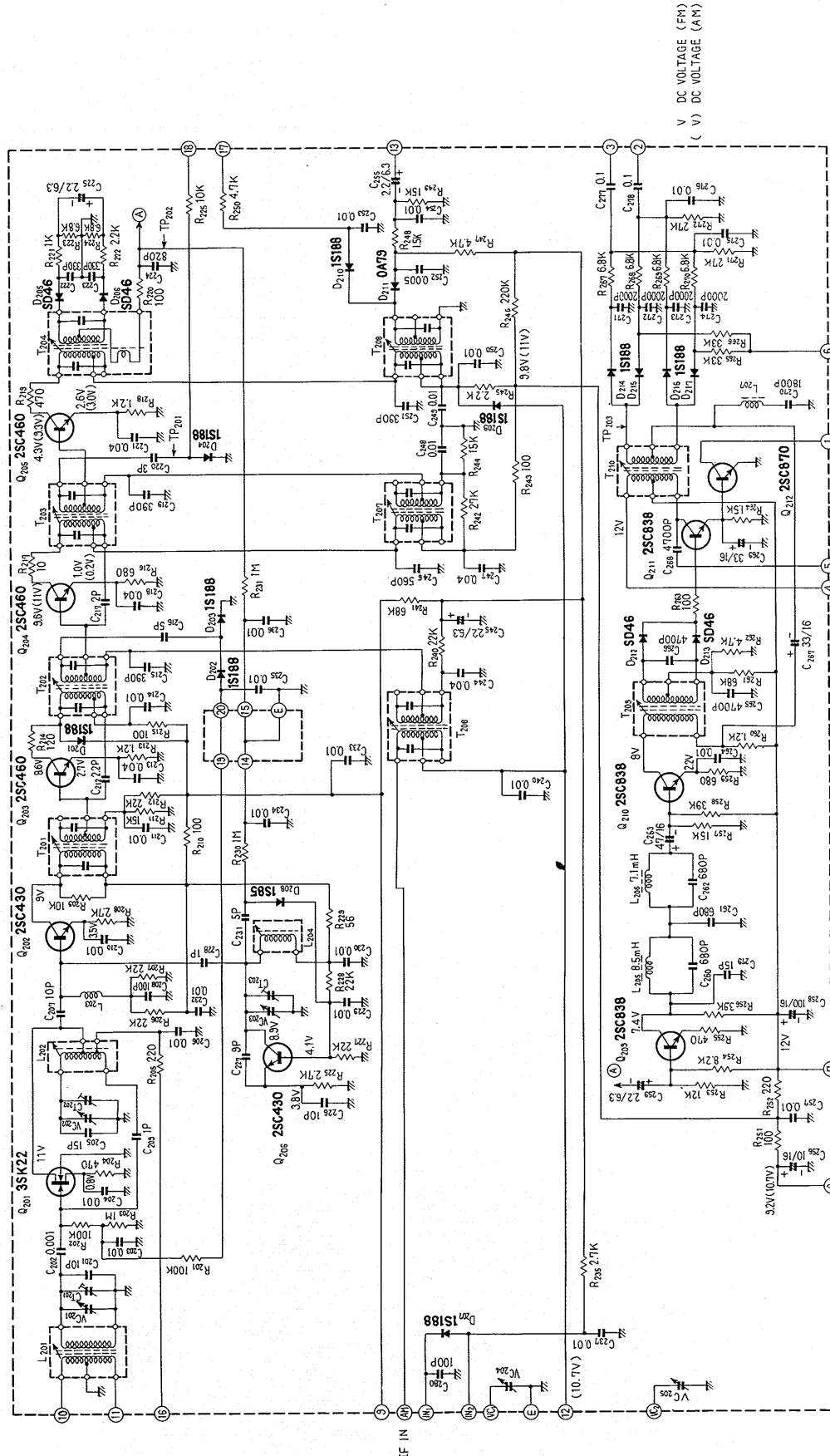
UNIT \ ROUND LABEL	FSAW					
TUNER UNIT	W35-013					
FM FRONT END						
FM IF UNIT						
MPX UNIT						
AM UNIT	W14-013					
MUTING UNIT						
AUDIO UNIT	W15-073					
CONTROL AMP UNIT						
MAIN AMP UNIT						
POWER SUPPLY UNIT	W16-019					
SWITCH UNIT						
SWITCH UNIT						
SWITCH UNIT						
TONE COLOR UNIT						
CONTROL UNIT						
MIC AMP UNIT						
REVERBE AMP UNIT						
REVERBE UNIT						



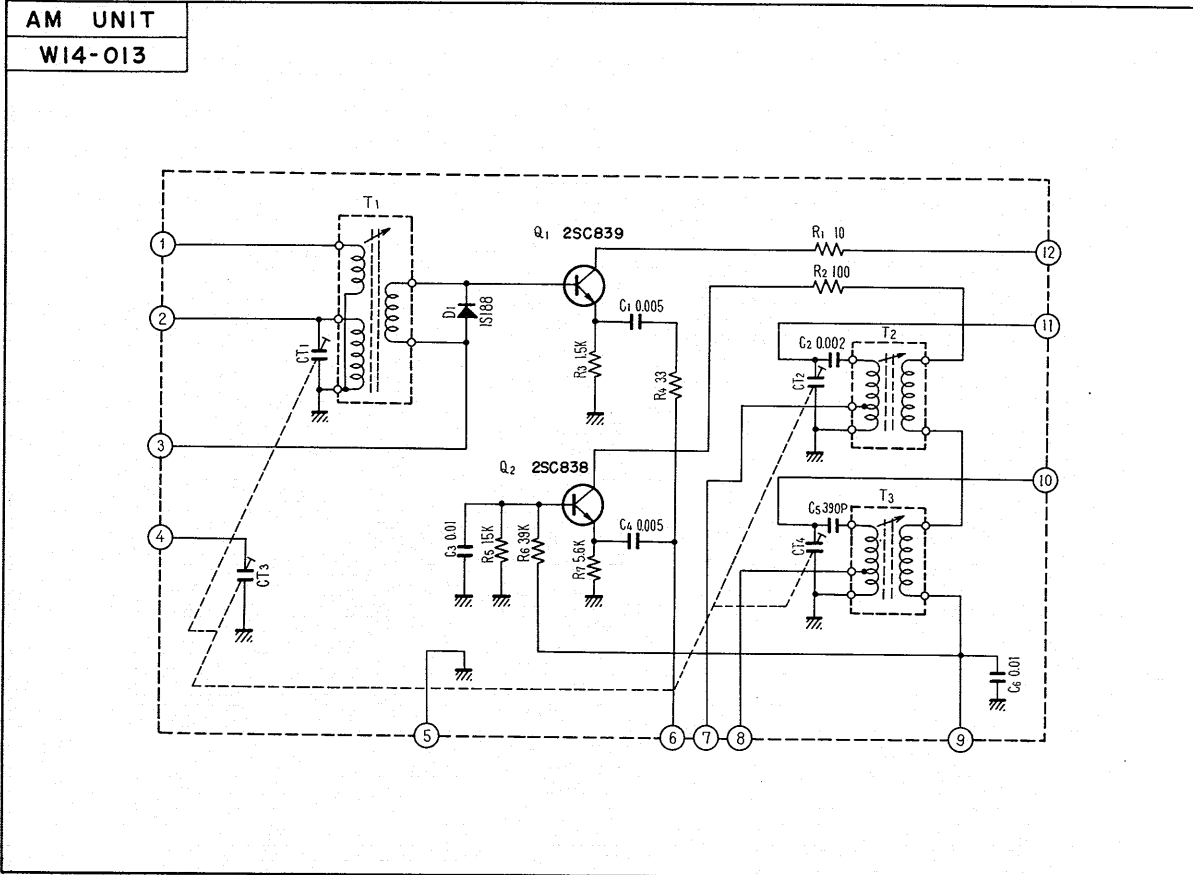


TUNER UNIT

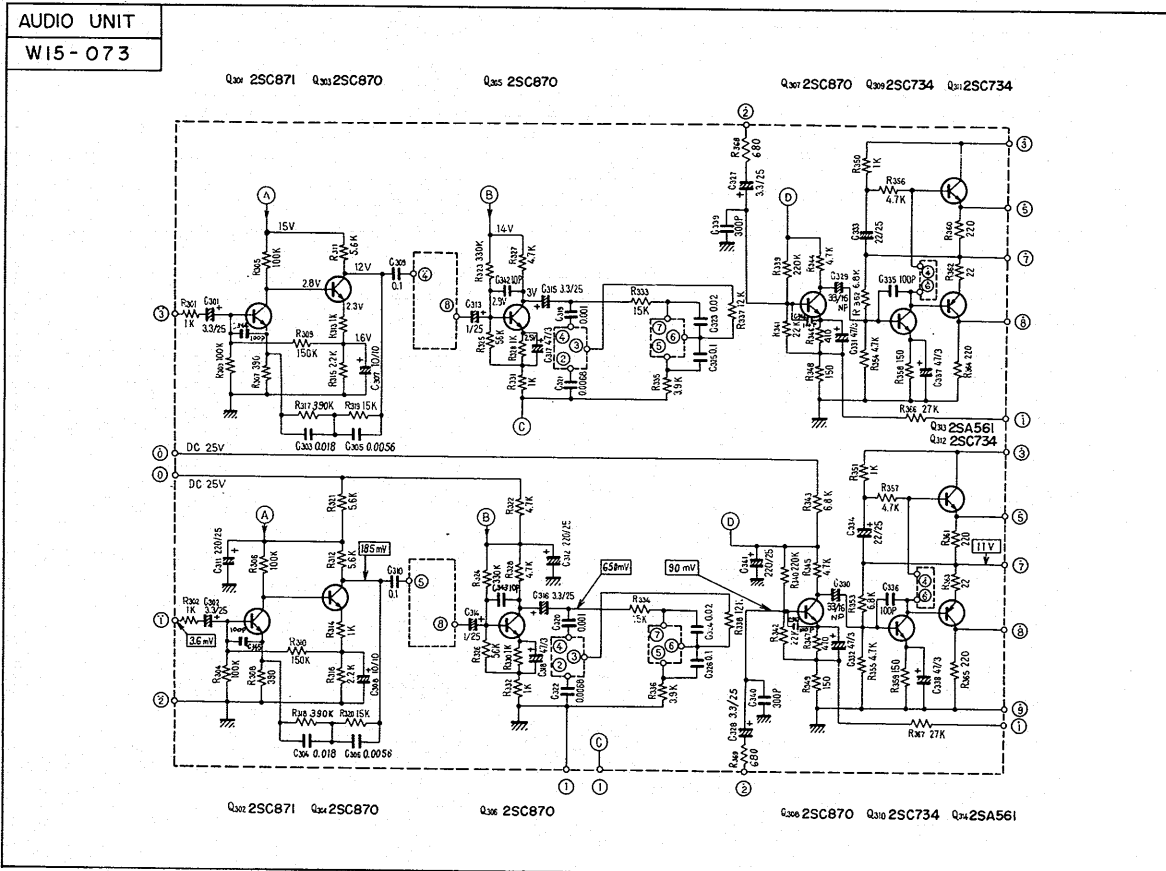
TUNER UNIT  
W35-013



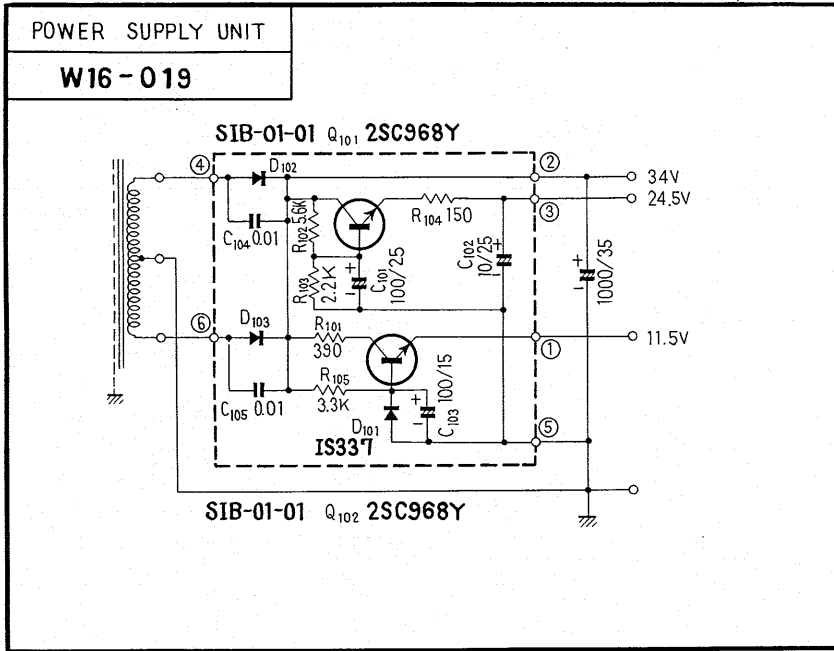
# AM UNIT



# AUDIO UNIT



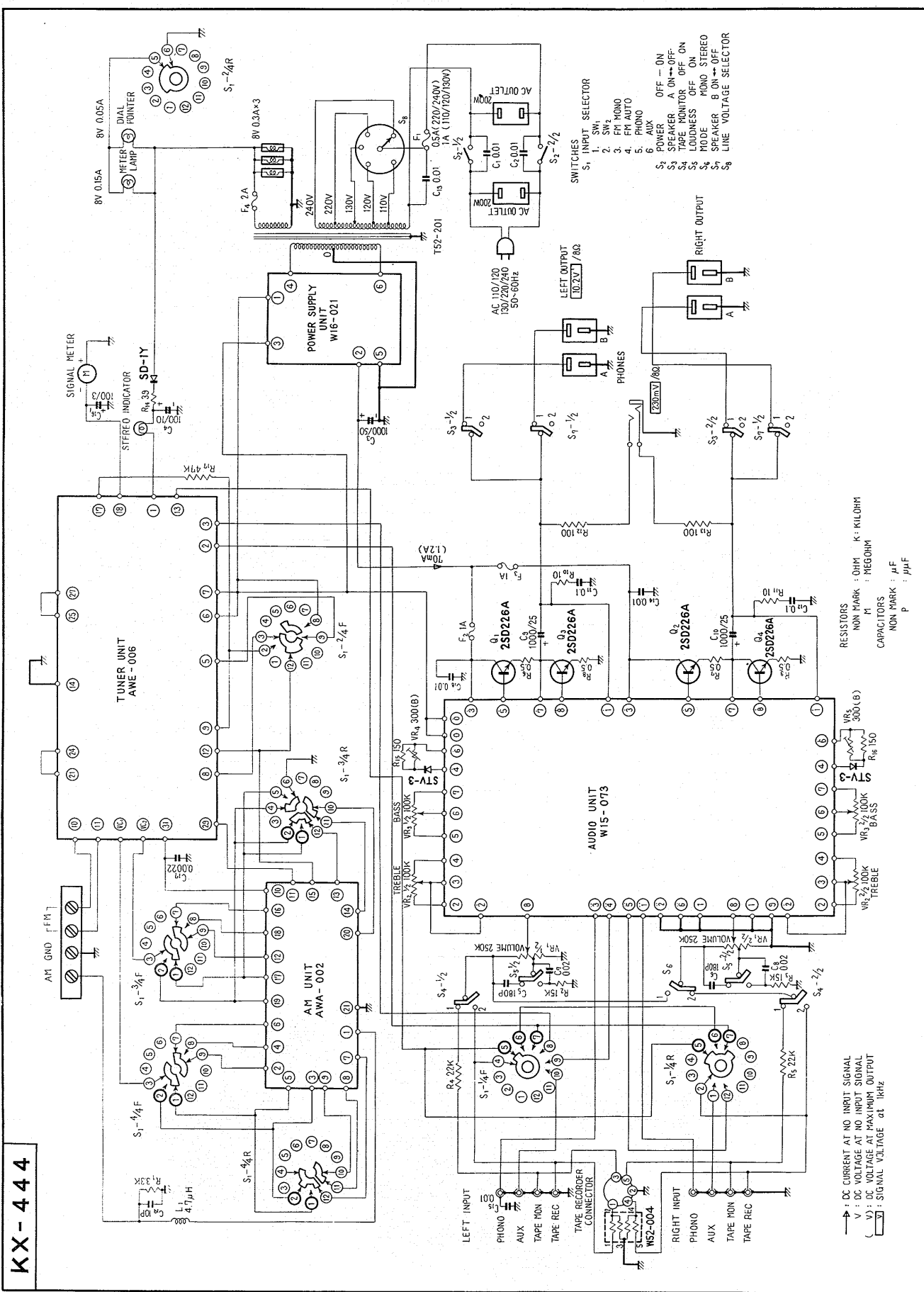
POWER SUPPLY UNIT



## SW/MW/FM STEREO RECEIVER KX-444

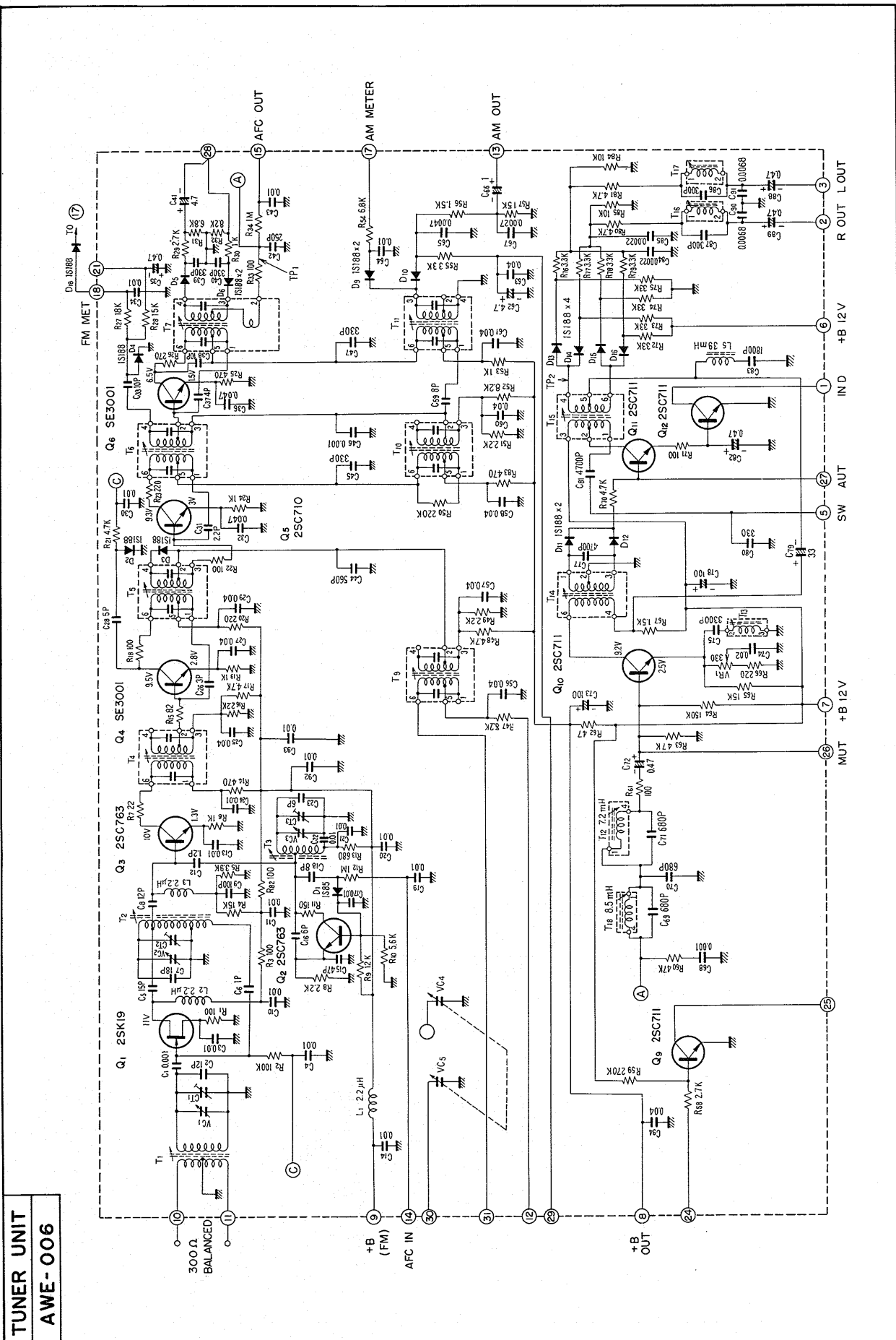
UNIT	ROUND LABEL	FSAW					
TUNER UNIT		AWE-006					
FM FRONT END							
FM IF UNIT							
MPX UNIT							
AM UNIT		AWA-002					
MUTING UNIT							
AUDIO UNIT		W15-073					
CONTROL AMP UNIT							
MAIN AMP UNIT							
POWER SUPPLY UNIT		W16-021					
SWITCH UNIT							
SWITCH UNIT							
SWITCH UNIT							
TONE COLOR UNIT							
CONTROL UNIT							
MIC AMP UNIT							
REVERBE AMP UNIT							
REVERBE UNIT							





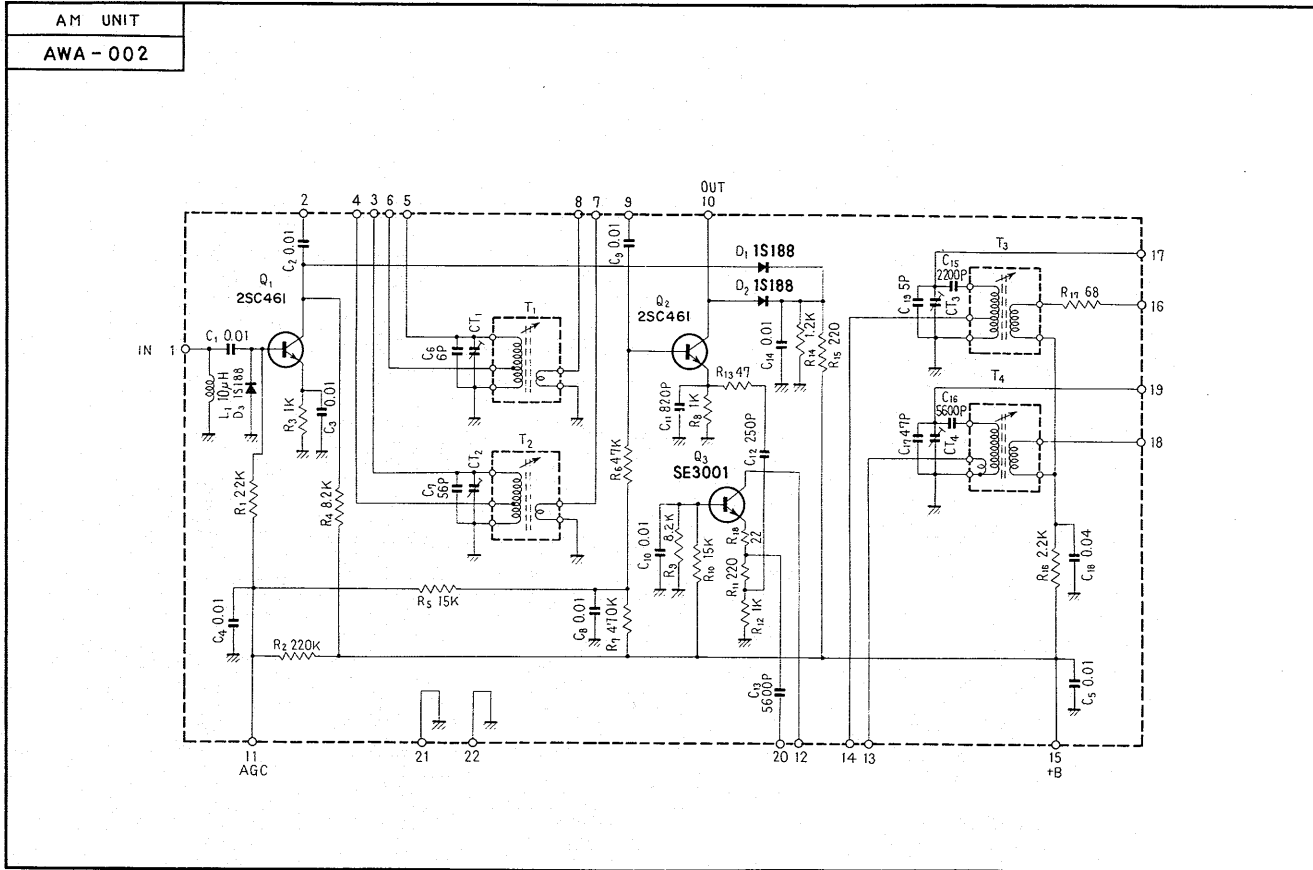


TUNER UNIT

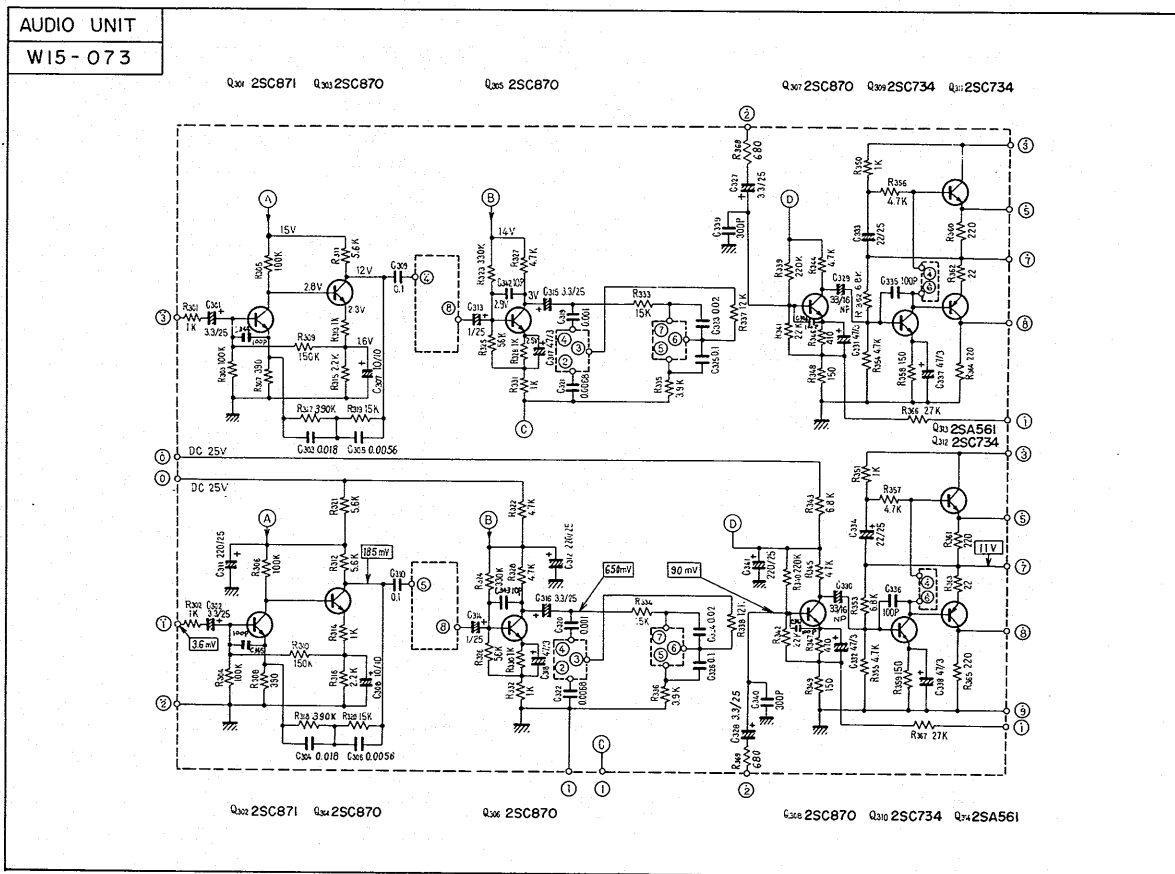


TUNER UNIT  
AWE-006

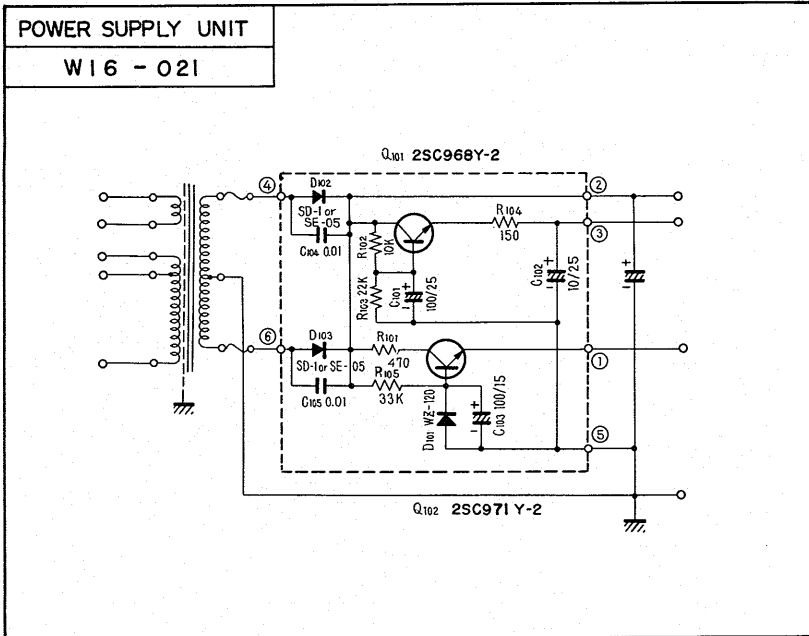
# AM UNIT



# AUDIO UNIT



POWER SUPPLY UNIT

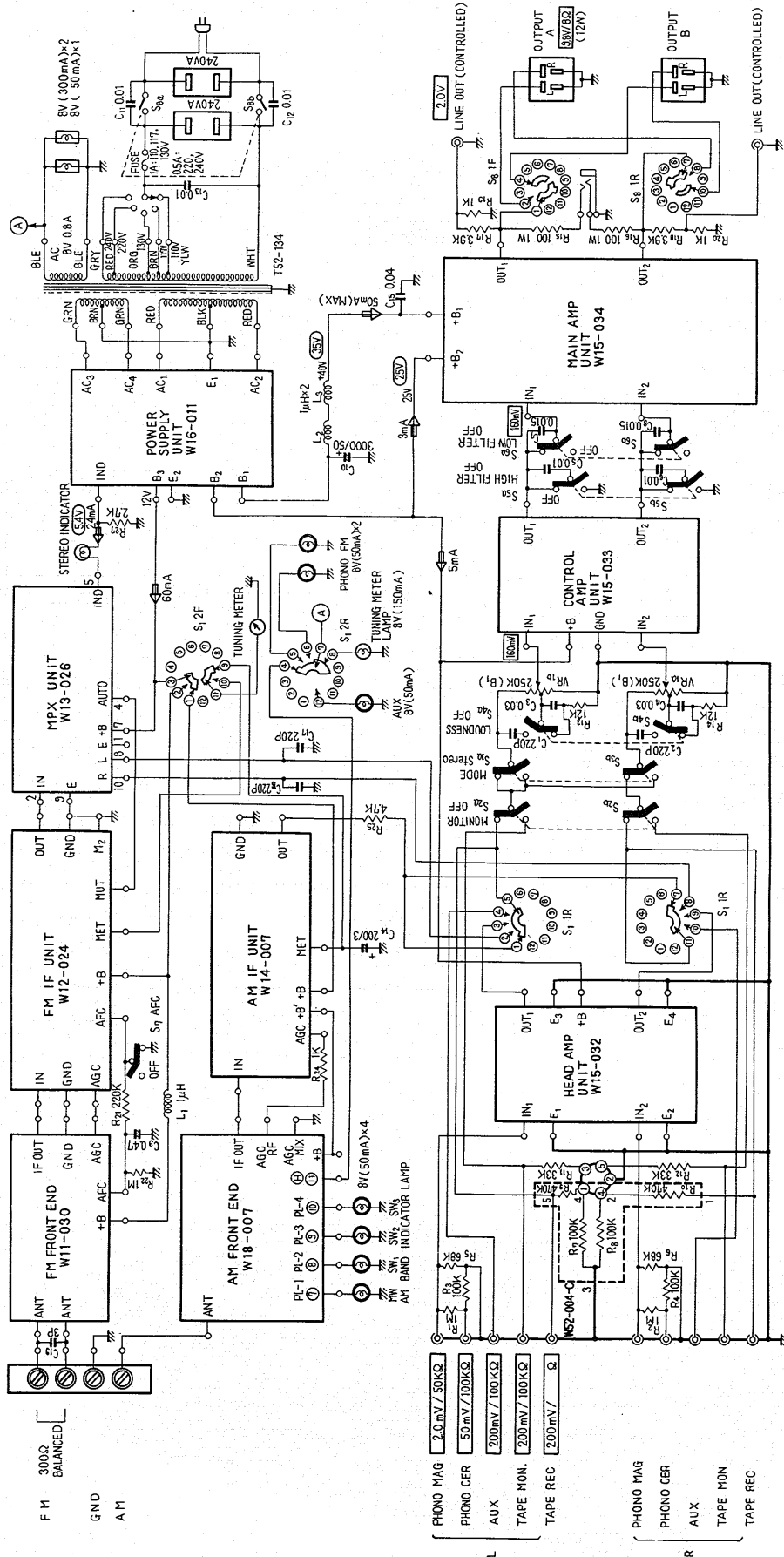


## SW/MW/FM STEREO RECEIVER KX-550

UNIT	ROUND LABEL	FSAW					
AM FRONT END		W18-007					
FM FRONT END		W11-030					
FM IF UNIT		W12-024					
MPX UNIT		W13-026					
AM IF UNIT		W14-007					
MUTING UNIT							
HEAD AMP UNIT		W15-032					
CONTROL AMP UNIT		W15-033					
MAIN AMP UNIT		W15-034					
POWER SUPPLY UNIT		W16-011					
SWITCH UNIT							
SWITCH UNIT							
SWITCH UNIT							
TONE COLOR UNIT							
CONTROL UNIT							
MIC AMP UNIT							
REVERBE AMP UNIT							
REVERBE UNIT							



**KX-550**



V : NO INPUT SIGNAL DC CURRENT  
 V : NO INPUT SIGNAL DC VOLTAGE  
 V : MAX INPUT SIGNAL DC VOLTAGE (ONE CHANNEL)

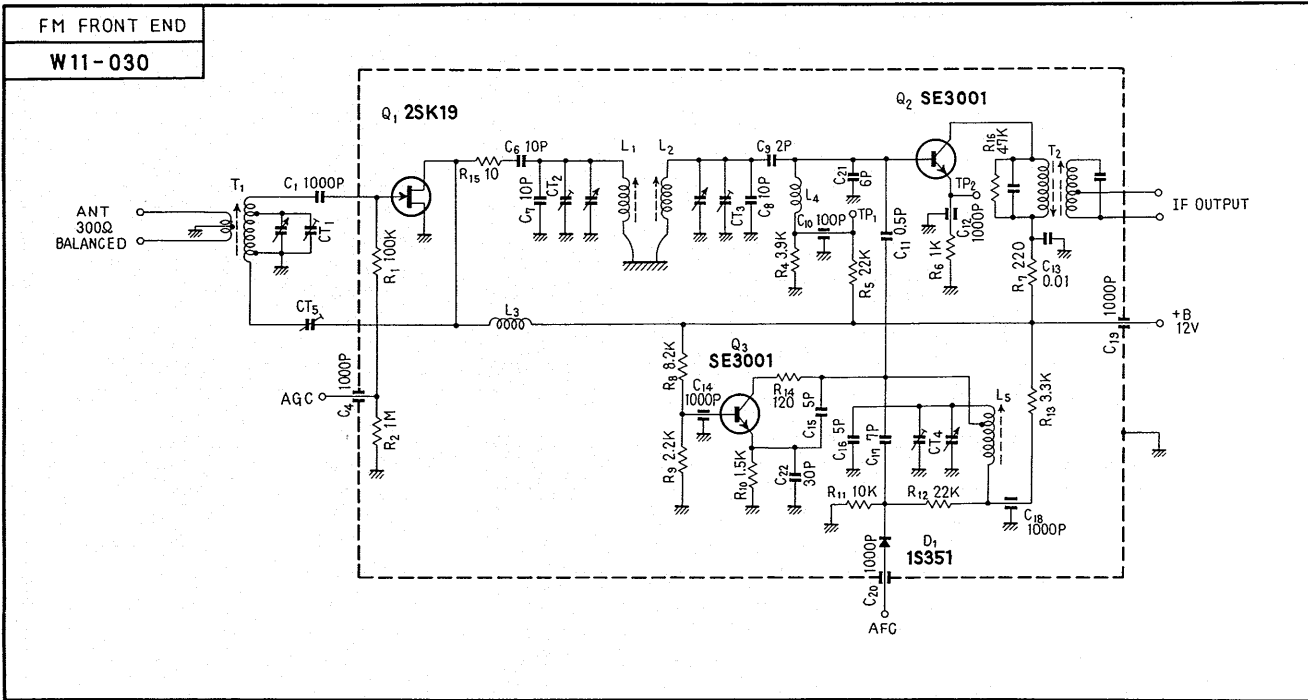
V : SIGNAL VOLTAGE AT 12W/8Ω (SPEAKER OUTPUT)  
 ALL VOLTAGE MEASURED WITH V.T.V.M

POTENTIOMETER  
 VR1: VOLUME CONTROL  
 RESISTORS  
 NON MARK : ΩHM K: KILOHM  
 M: MEGOHM W: WATT  
 NON MARK : COMPOSITION 1/4 WATT

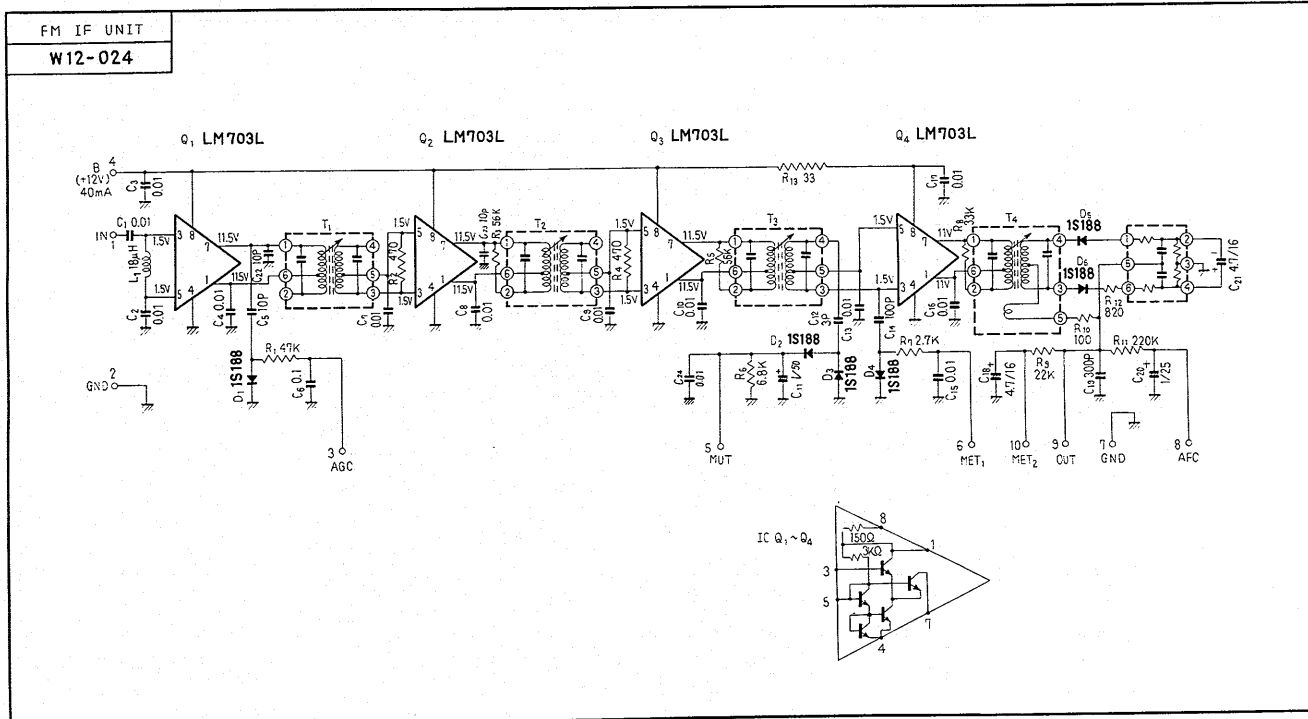
CAPACITORS  
 NON MARK : μF P: μμF

**S<sub>1</sub> INPUT SELECTOR**  
 (1) AM (2) FM AUTO  
 (3) PHONO (4) AUX  
**S<sub>2</sub> TAPE MONITOR** OFF ↔ ON  
**S<sub>3</sub> MODE STEREO** ↔ MONO  
**S<sub>4</sub> LOUDNESS** OFF ↔ ON  
**S<sub>5</sub> HIGH CUT FILTER** OFF ↔ ON  
**S<sub>6</sub> LOW CUT FILTER** OFF ↔ ON  
**S<sub>7</sub> AFC** OFF ↔ ON  
**S<sub>8</sub> OUTPUT SELECTOR**  
 (1) POWER OFF (2) A (3) SPKR'S OFF  
 (4) B (5) A+B

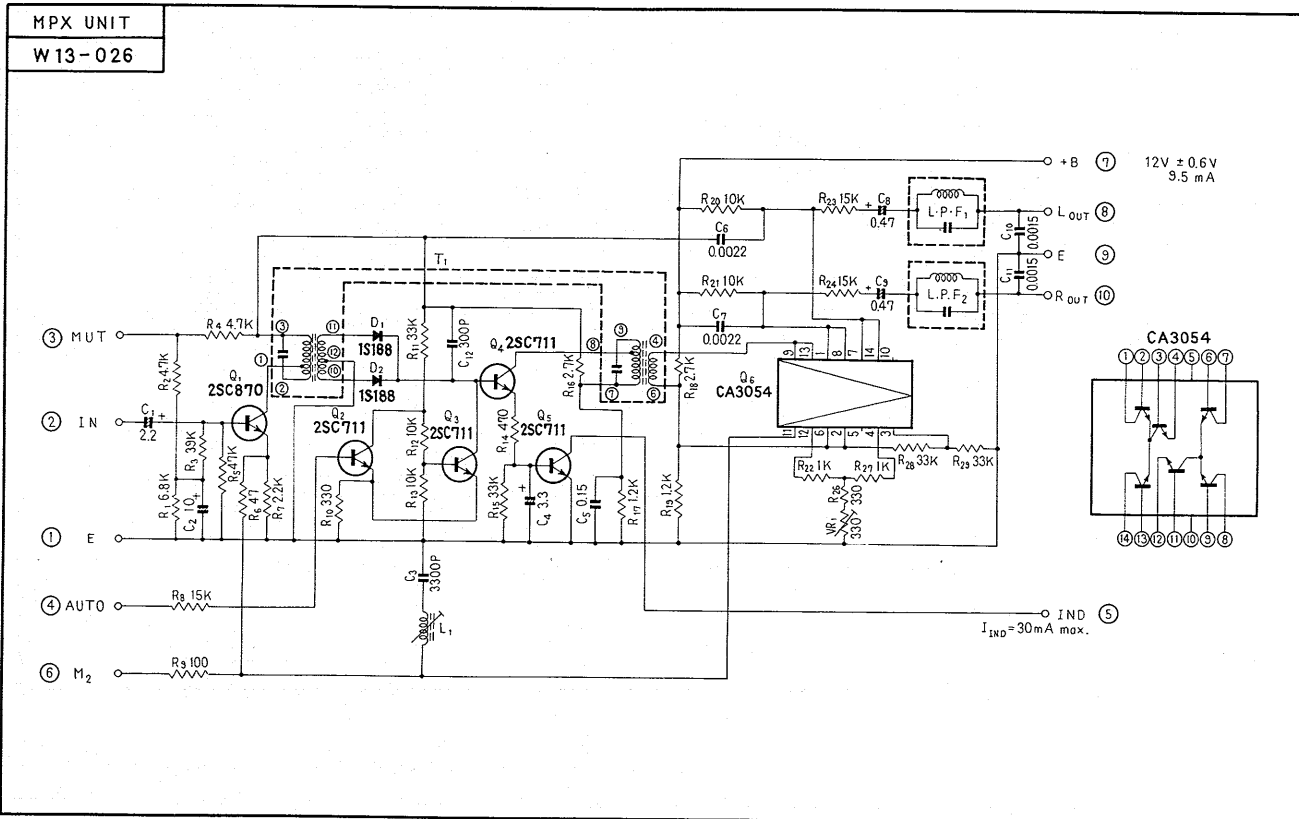
FM FRONT END



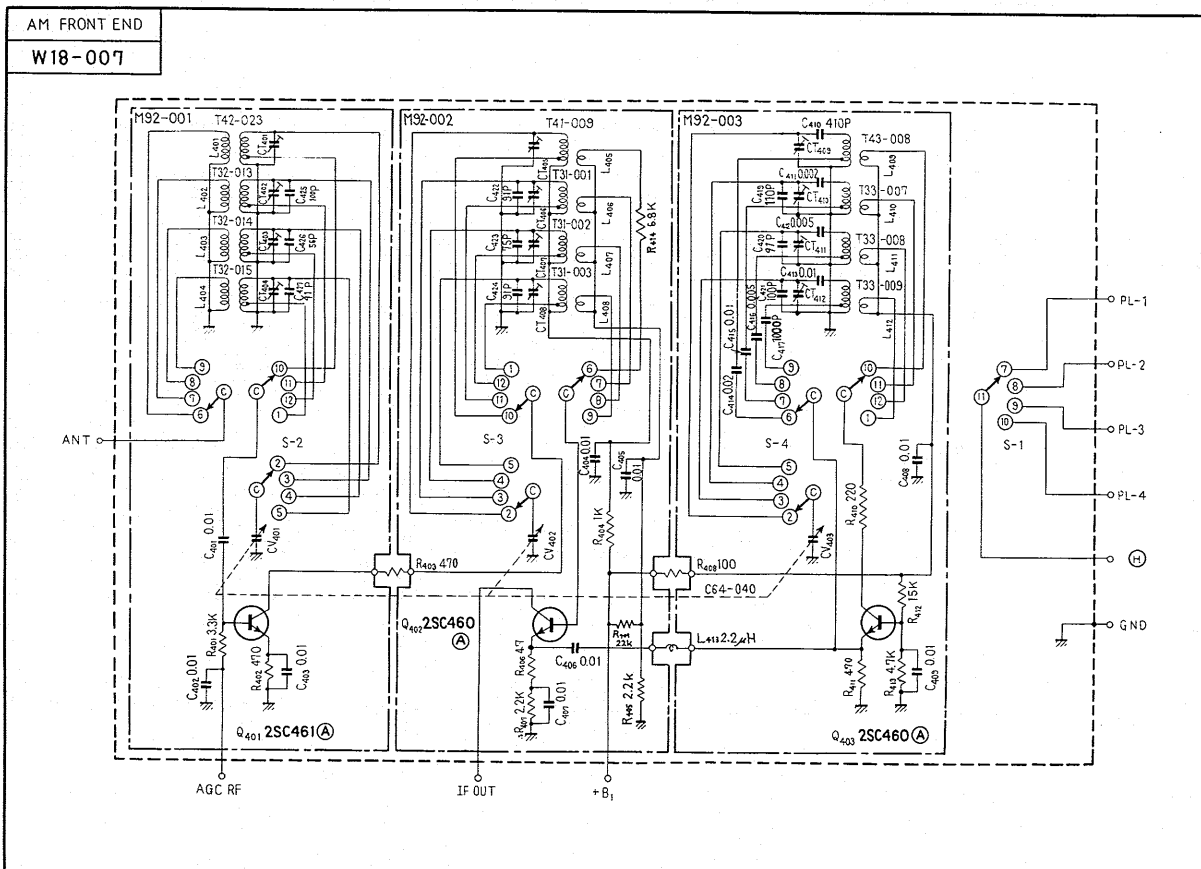
FM IF UNIT



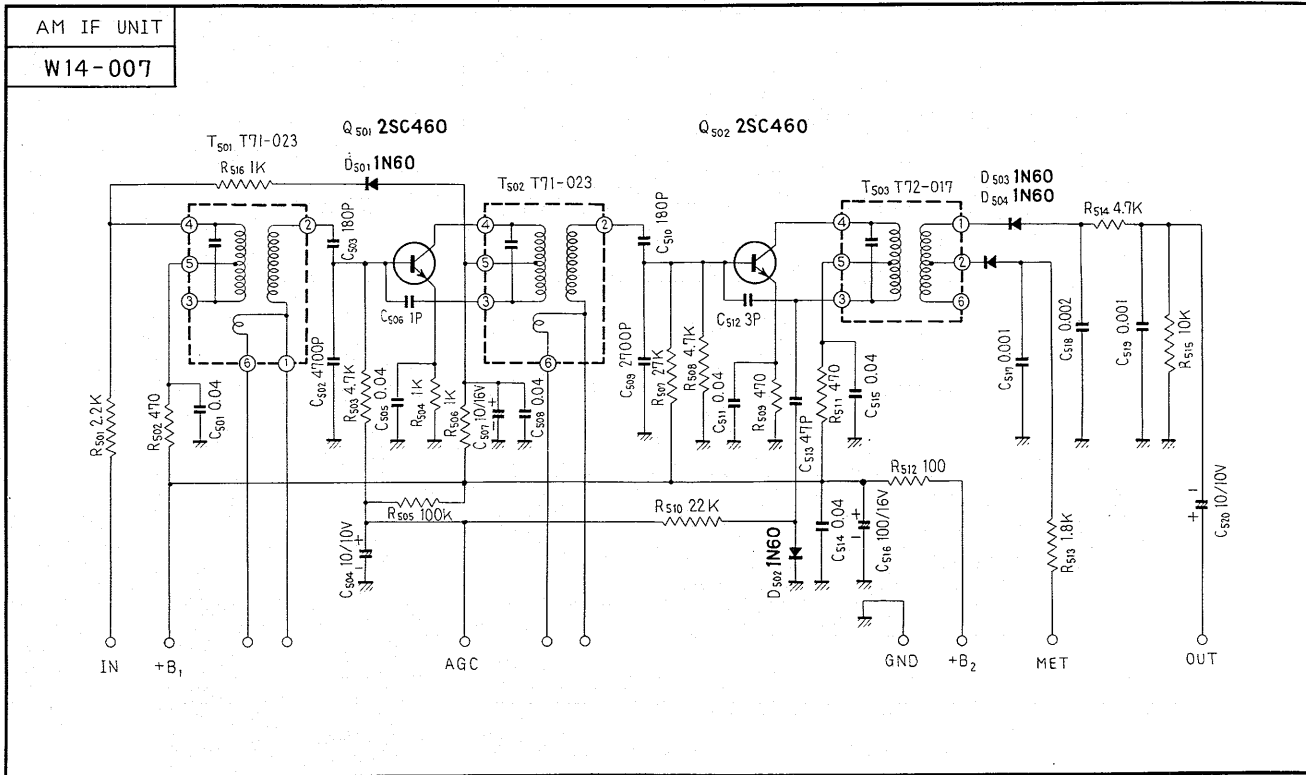
# MPX UNIT



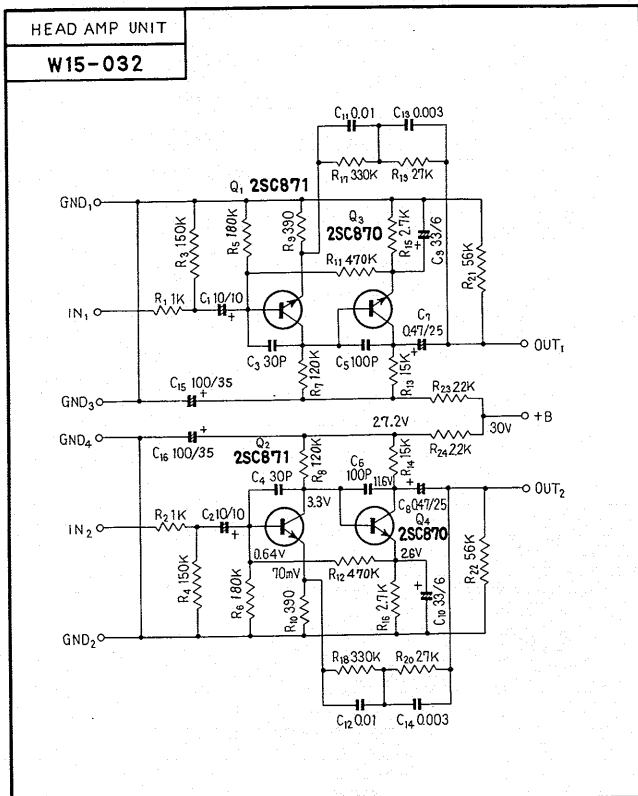
# AM FRONT END



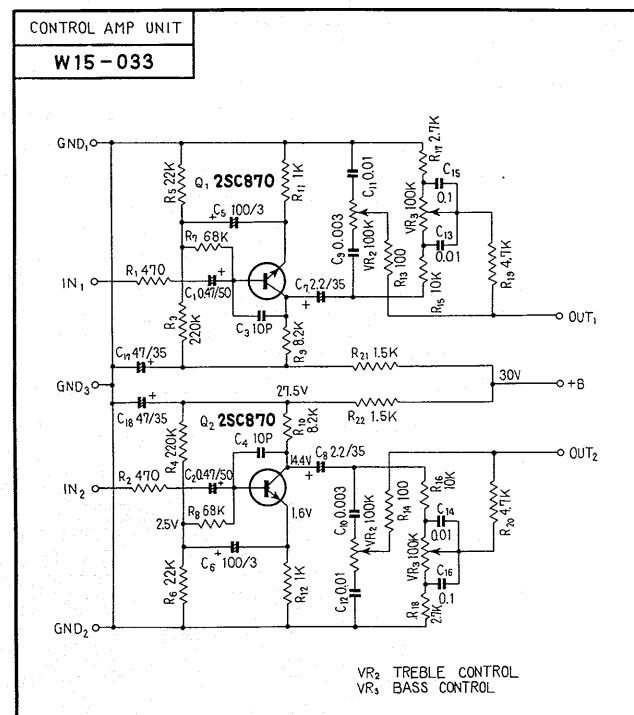
AM IF UNIT



HEAD AMP UNIT

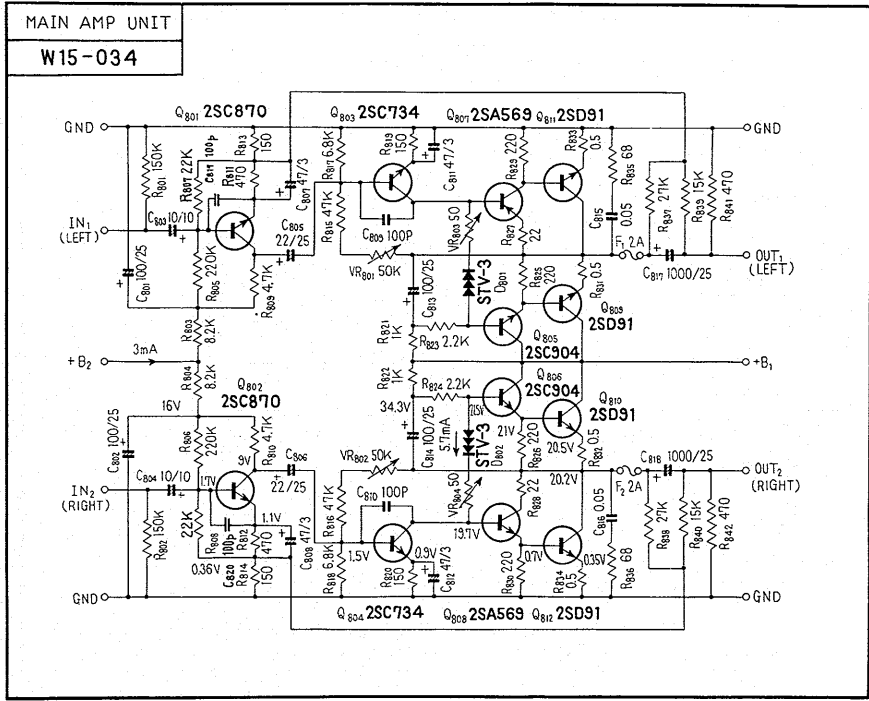


CONTROL AMP UNIT

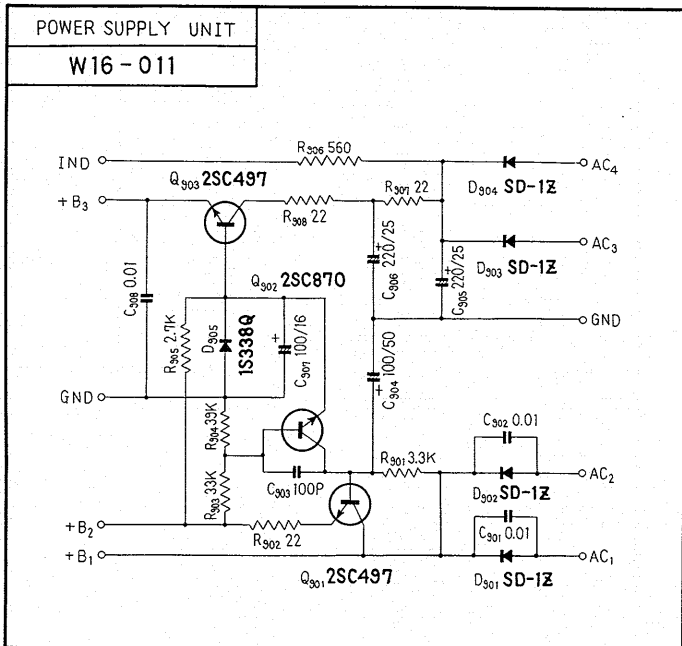




# MAIN AMP UNIT

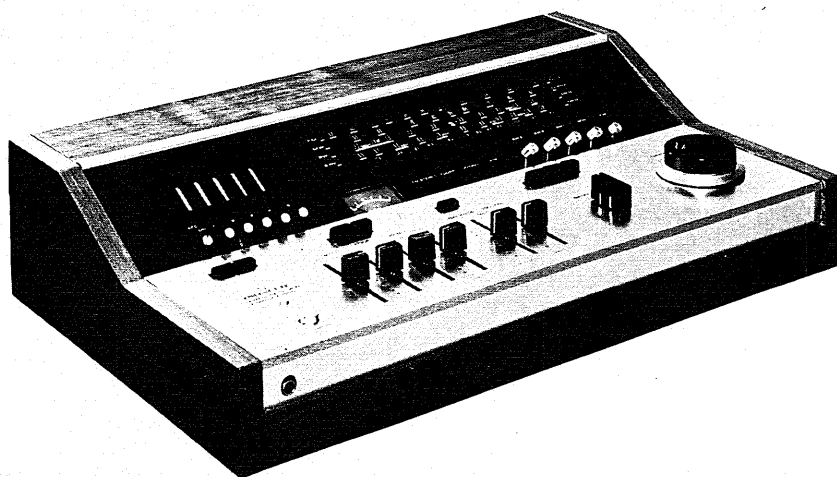


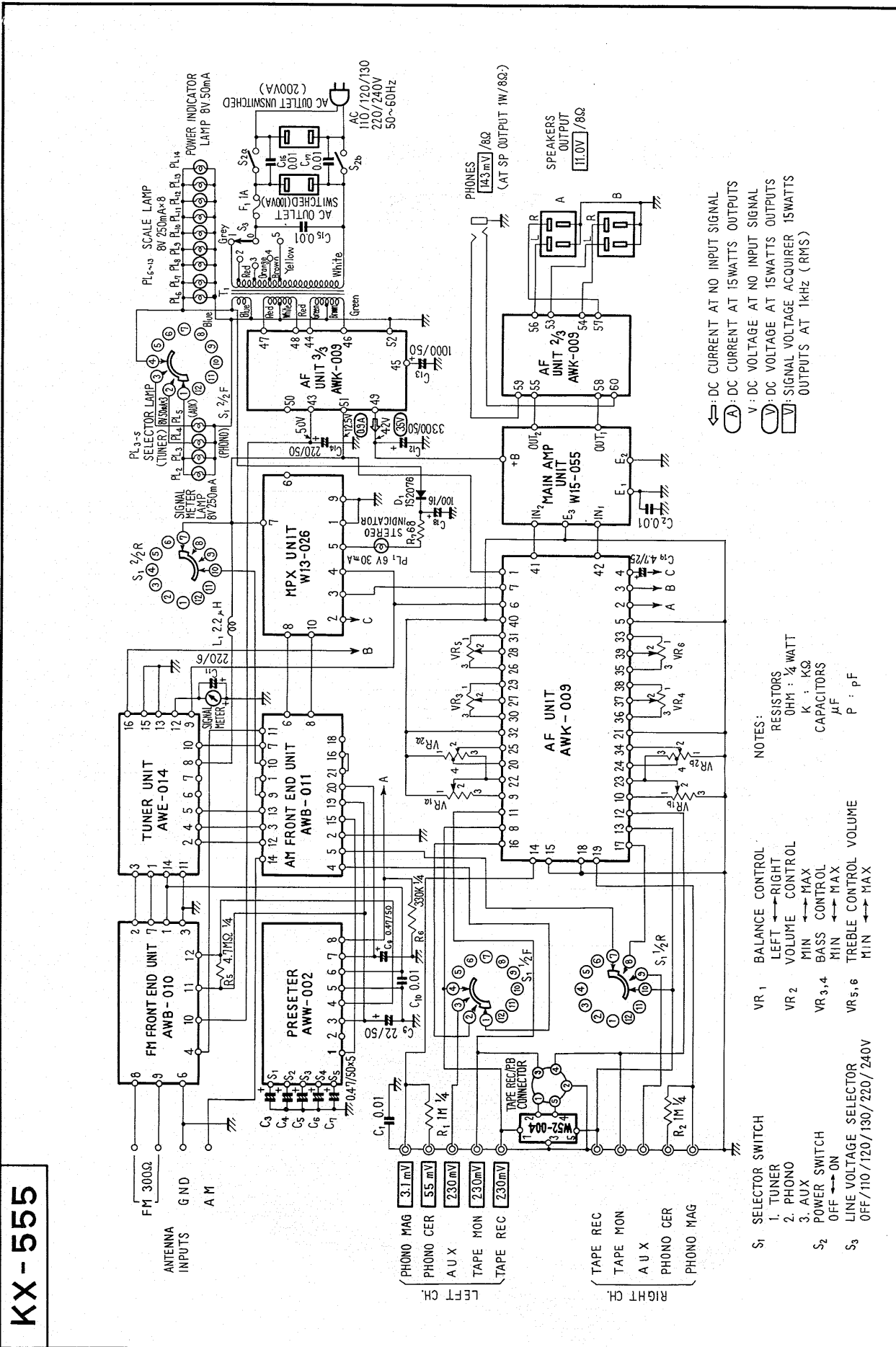
# POWER SUPPLY UNIT



## SW/MW/FM STEREO RECEIVER KX-555

UNIT	ROUND LABEL	FSAW					
FM FRONT END UNIT	AWB-010						
TUNER UNIT	AWE-014						
MPX UNIT	W13-026						
AM FRONT END UNIT	AWB-011						
MUTING UNIT							
AF UNIT	AWK-009						
CONTROL AMP UNIT							
MAIN AMP UNIT	W15-055						
POWER SUPPLY UNIT							
SWITCH UNIT							
PRESETTER	AWW-002						
SWITCH UNIT							
TONE COLOR UNIT							
CONTROL UNIT							
MIC AMP UNIT							
REVERBE AMP UNIT							
REVERBE UNIT							





⇐ : DC CURRENT AT NO INPUT SIGNAL  
 (A) : DC CURRENT AT 15WATTS OUTPUTS  
 V : DC VOLTAGE AT NO INPUT SIGNAL  
 (V) : DC VOLTAGE AT 15WATTS OUTPUTS  
 (V) : SIGNAL VOLTAGE ACQUIRER 15WATTS  
 (V) : OUTPUTS AT 1kHz (RMS)

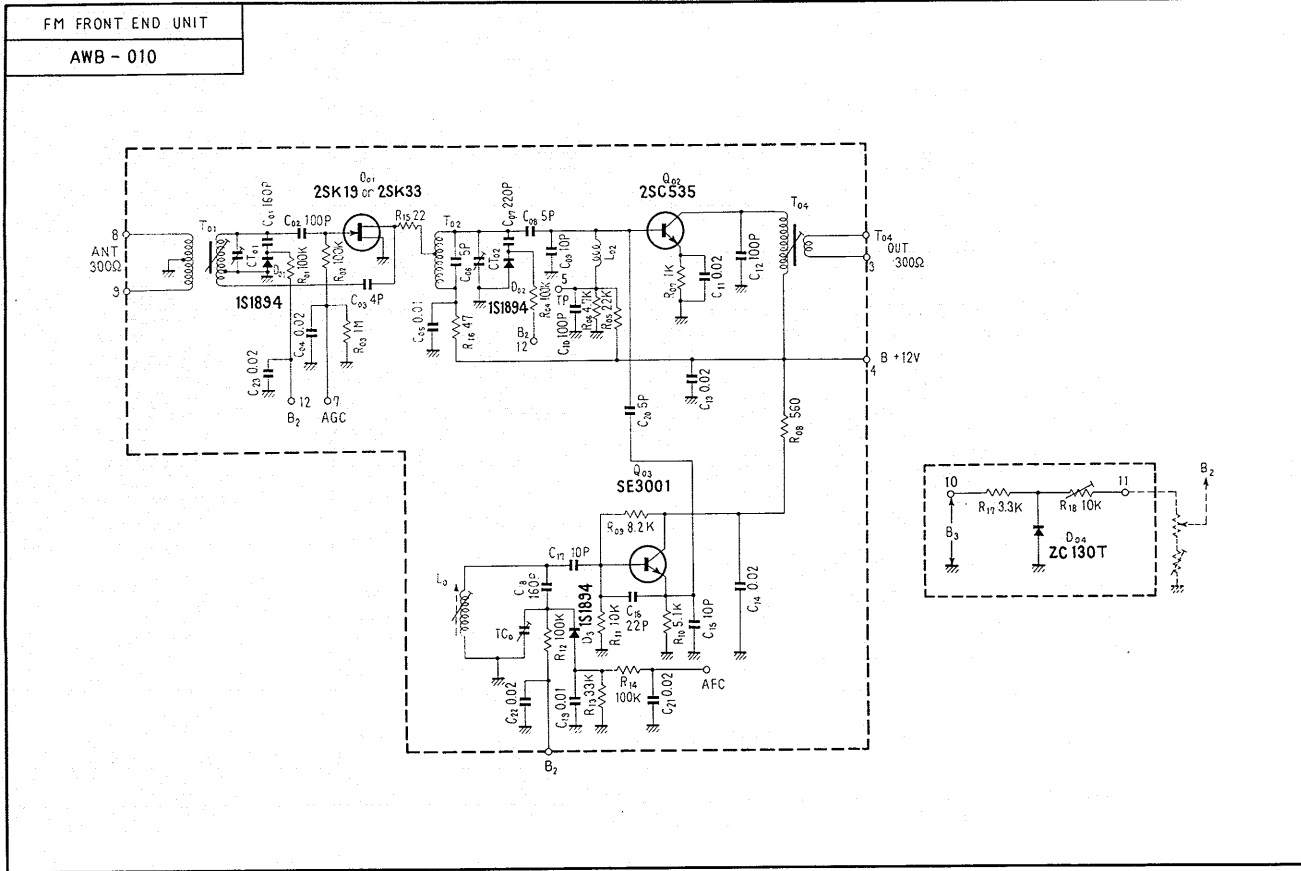
NOTES:  
 RESISTORS  
 OHM : ¼ WATT  
 K : KΩ  
 CAPACITORS  
 μF  
 P : pF

VR 1 BALANCE CONTROL  
 LEFT ↔ RIGHT  
 VR 2 VOLUME CONTROL  
 MIN ↔ MAX  
 VR 3,4 BASS CONTROL  
 MIN ↔ MAX  
 VR 5,6 TREBLE CONTROL  
 MIN ↔ MAX

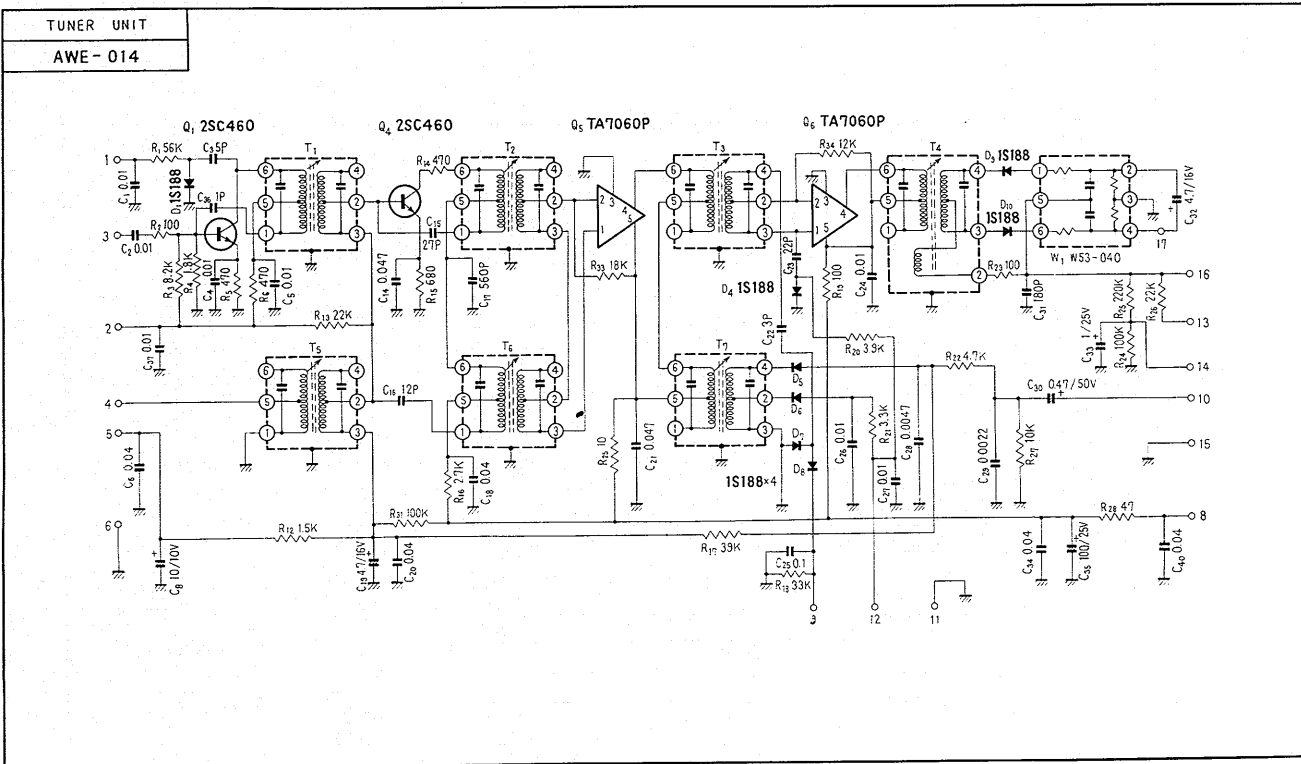
S1 SELECTOR SWITCH  
 1. TUNER  
 2. PHONO  
 3. AUX  
 S2 POWER SWITCH  
 OFF ↔ ON  
 S3 LINE VOLTAGE SELECTOR  
 OFF/110/120/130/220/240V

**KX-555**

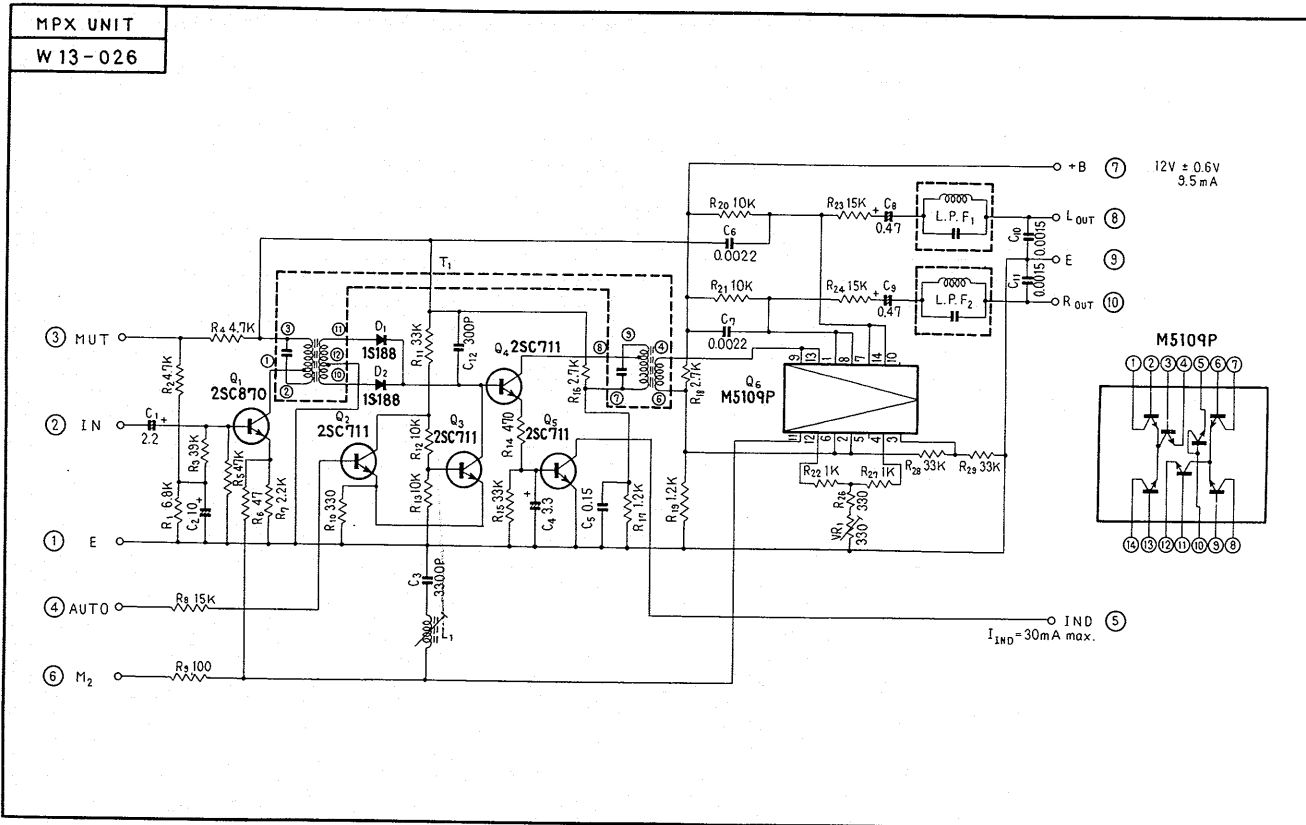
FM FRONT END UNIT



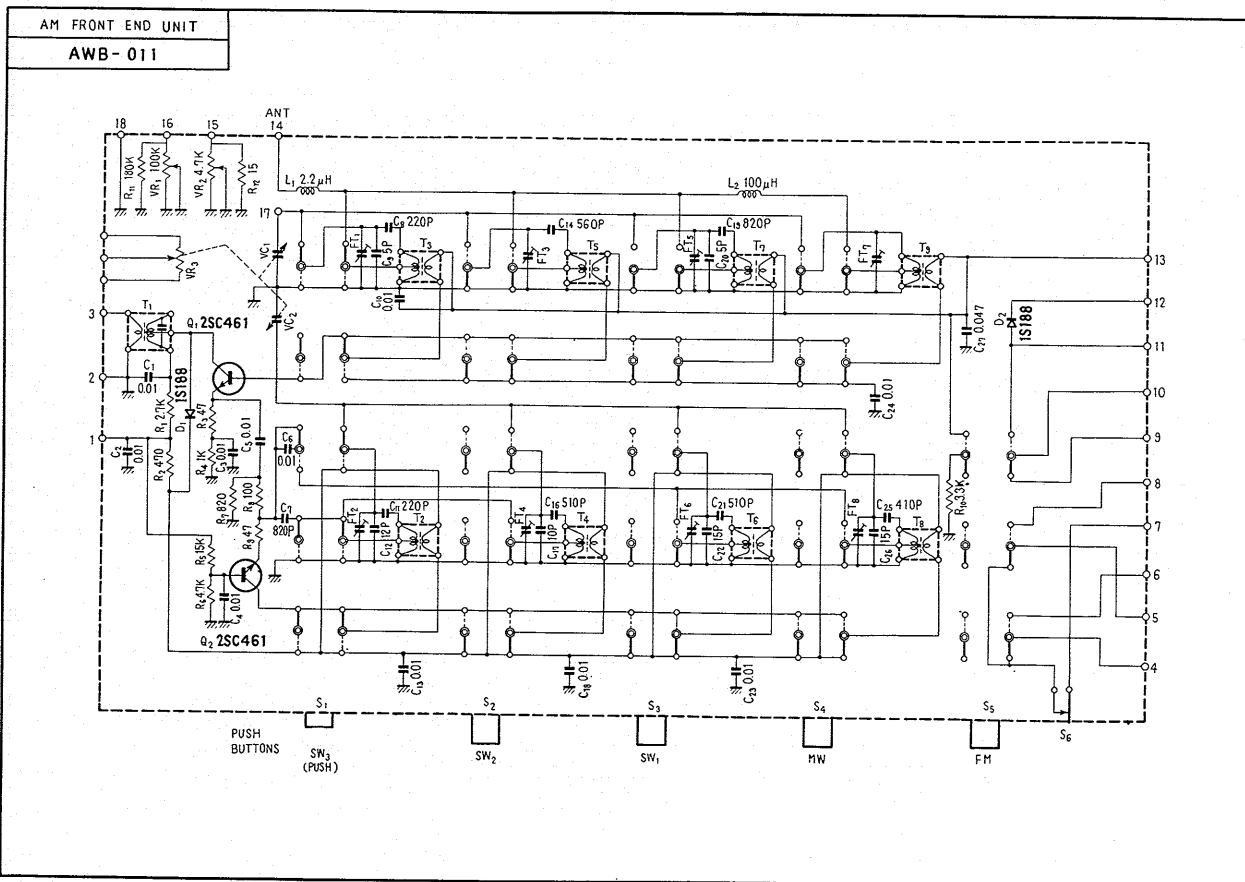
TUNER UNIT



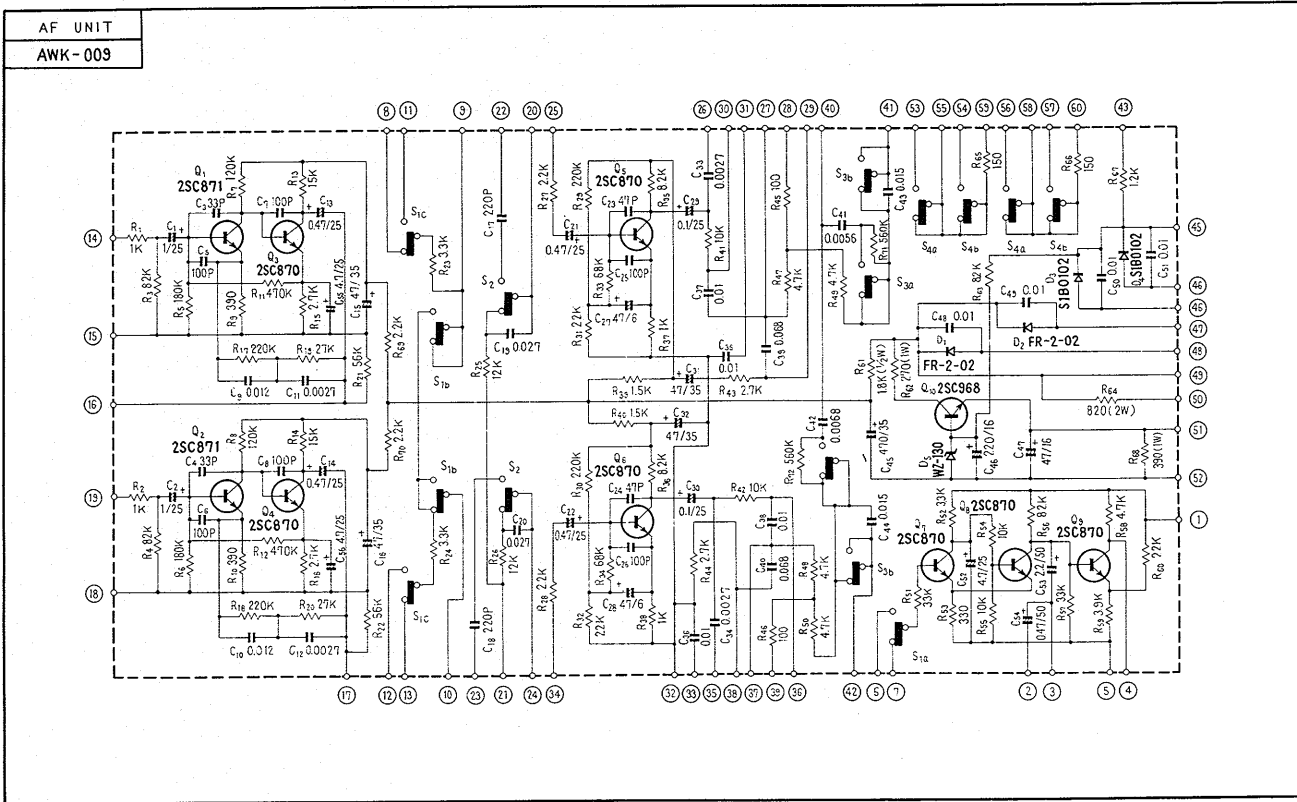
# MPX UNIT



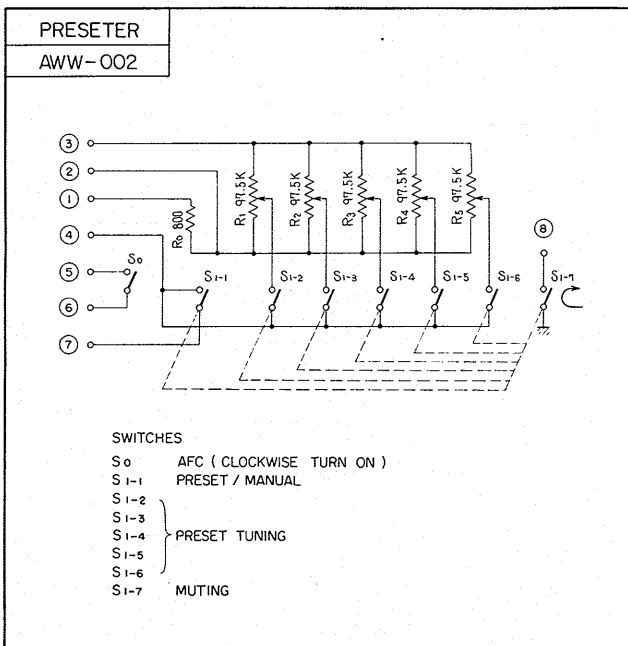
# AM FRONT END UNIT



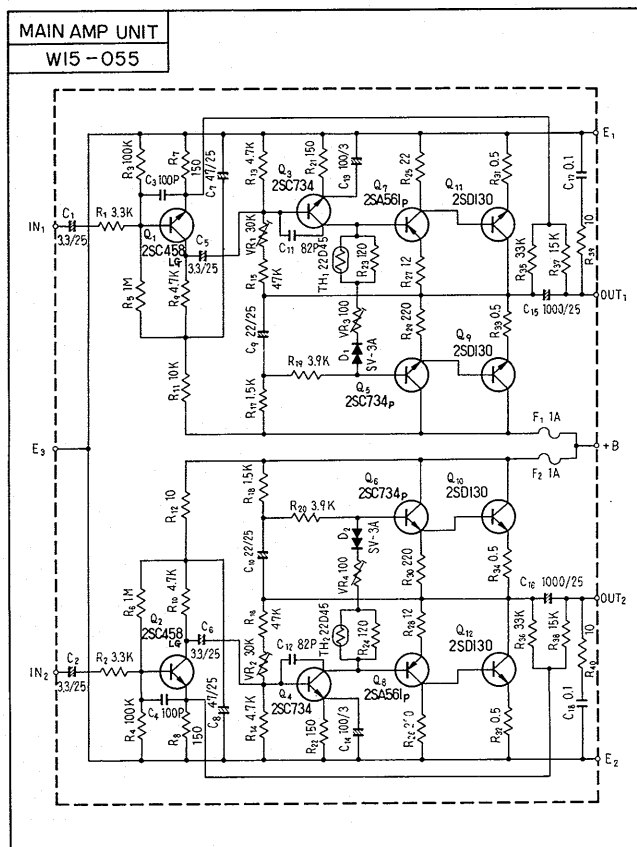
AF UNIT



PRESETER

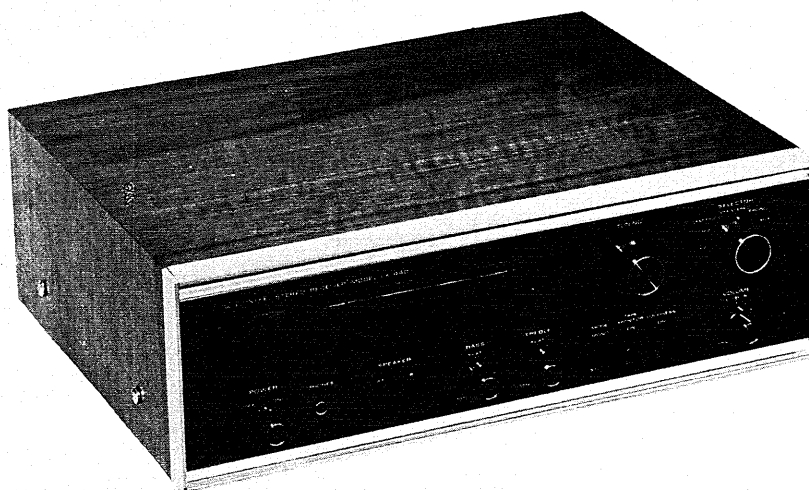


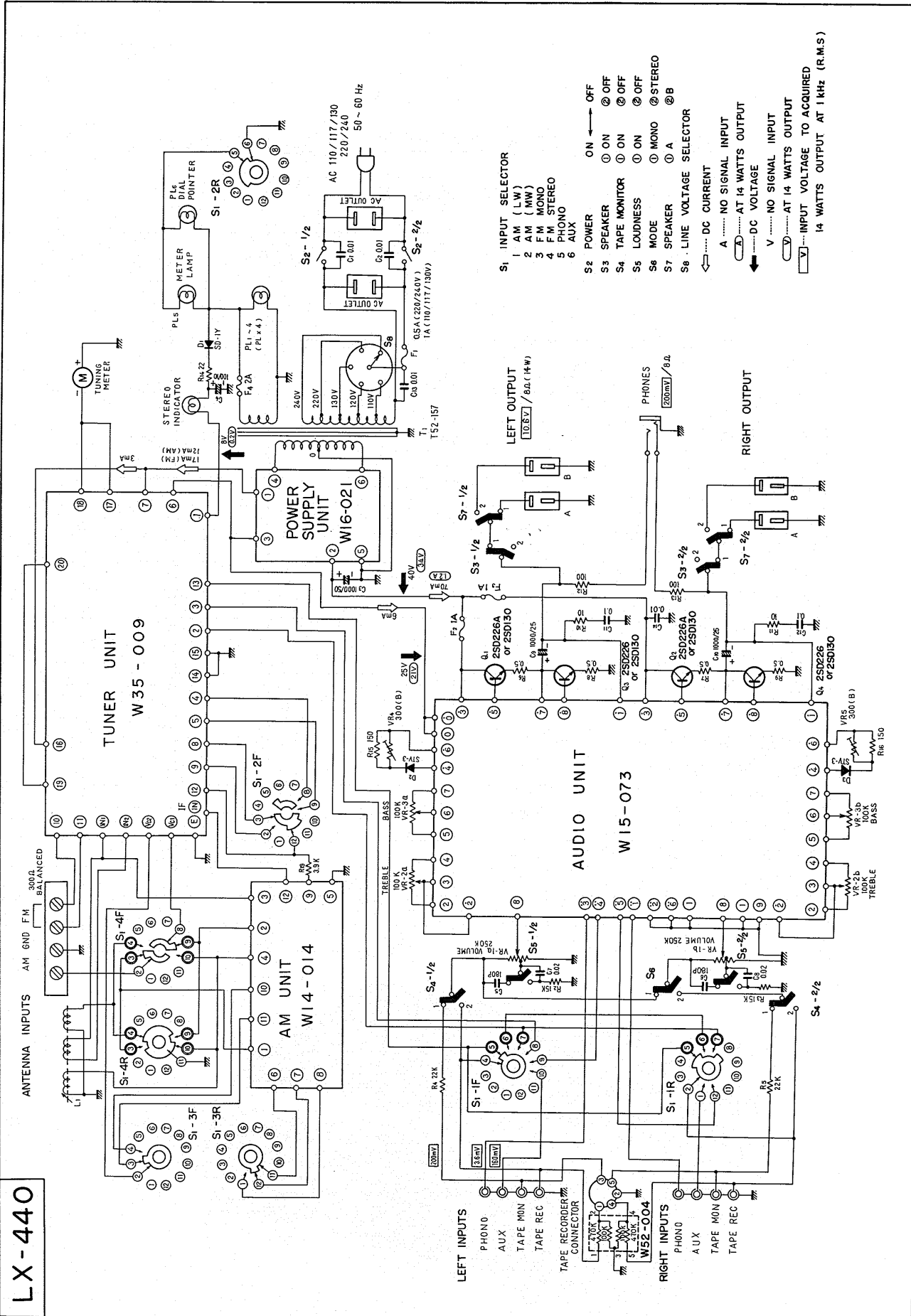
MAIN AMP UNIT



## LW/MW/FM STEREO RECEIVER LX-440

UNIT	ROUND LABEL	FWW					
TUNER UNIT		W35-009					
FM FRONT END							
FM IF UNIT							
MPX UNIT							
AM UNIT		W14-014					
MUTING UNIT							
AUDIO UNIT		W15-073					
CONTROL AMP UNIT							
MAIN AMP UNIT							
POWER SUPPLY UNIT		W16-021					
SWITCH UNIT							
SWITCH UNIT							
SWITCH UNIT							
TONE COLOR UNIT							
CONTROL UNIT							
MIC AMP UNIT							
REVERBE AMP UNIT							
REVERBE UNIT							

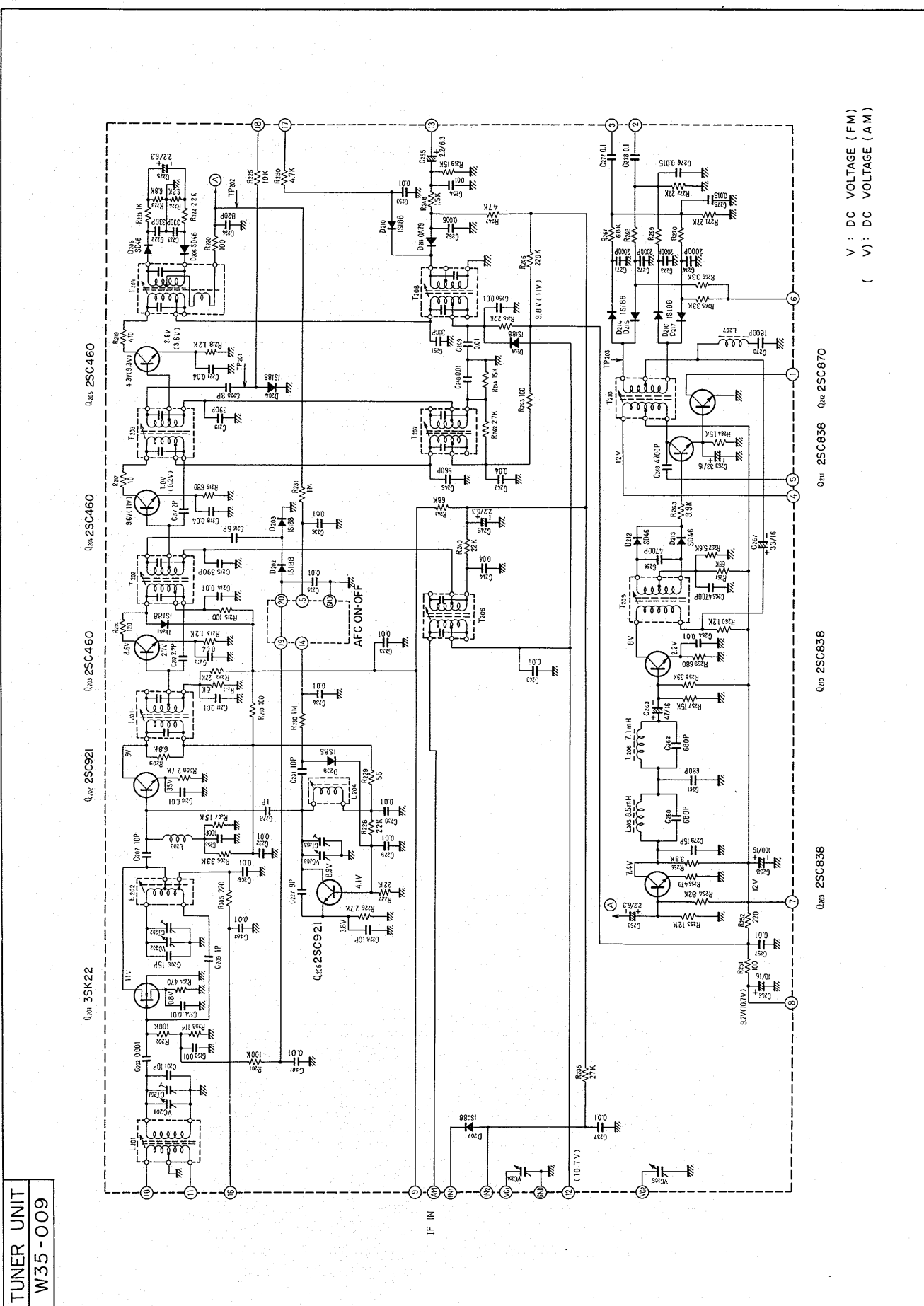




LX-440



TUNER UNIT

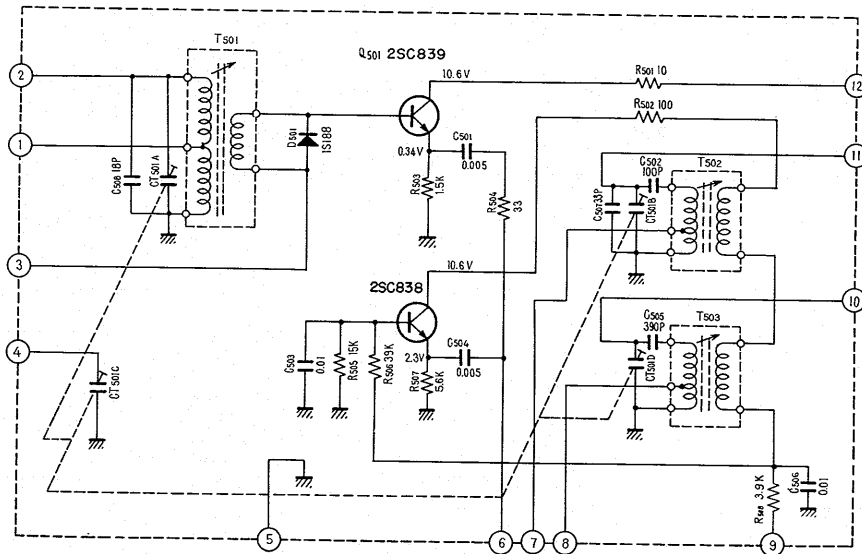


TUNER UNIT  
W35-009

# AM UNIT

AM UNIT

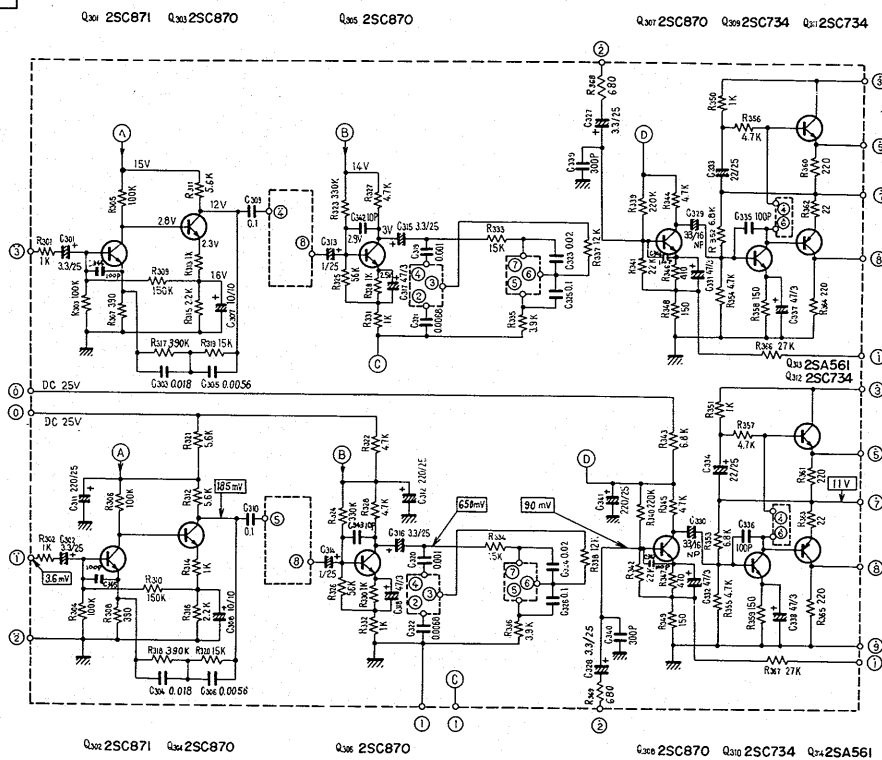
W14-014



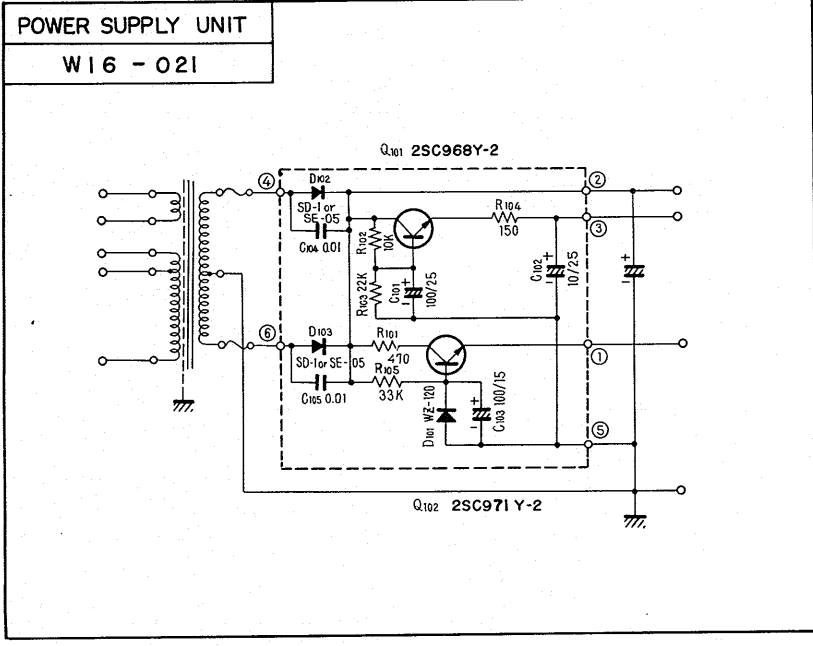
# AUDIO UNIT

AUDIO UNIT

W15-073



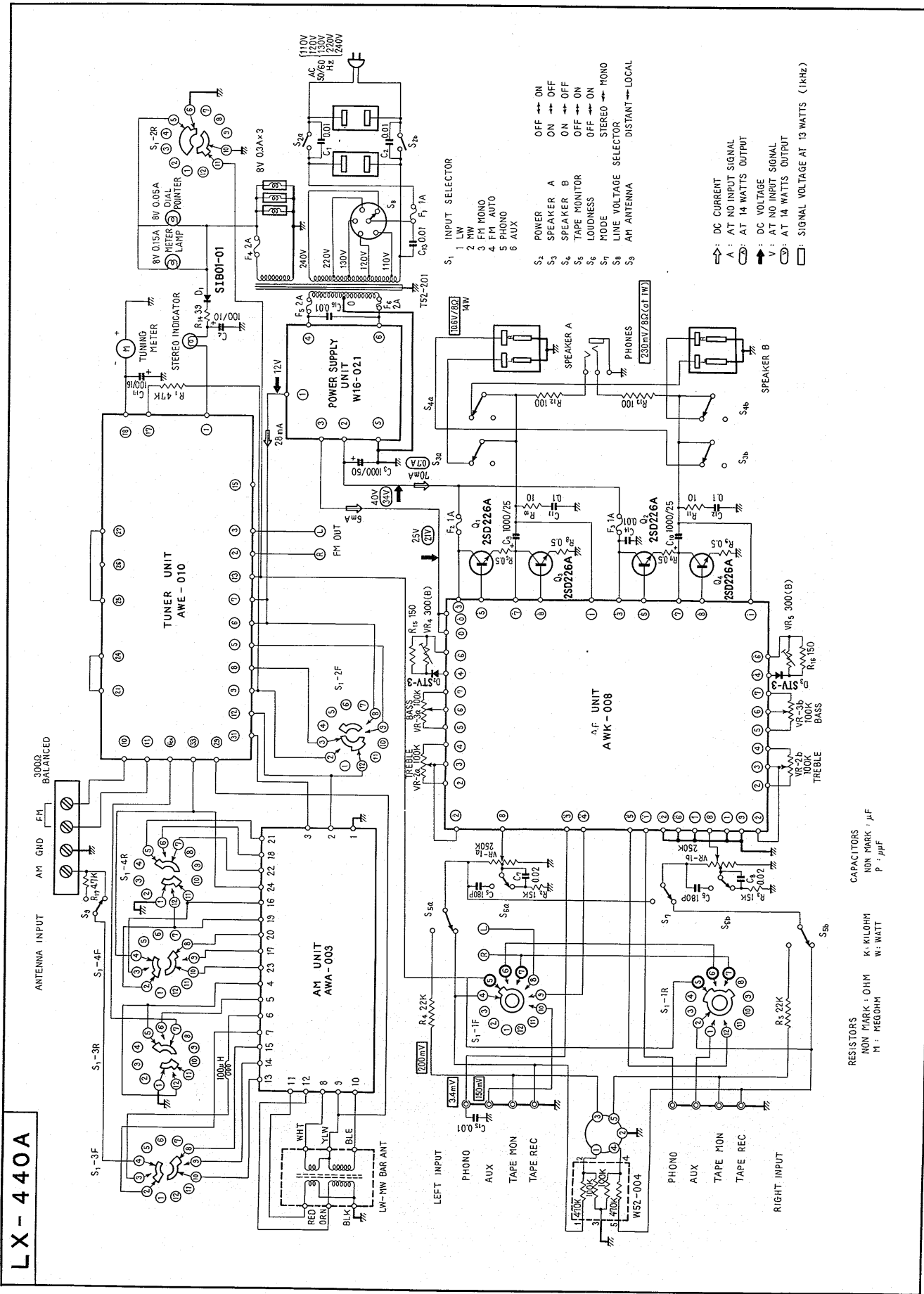
POWER SUPPLY UNIT



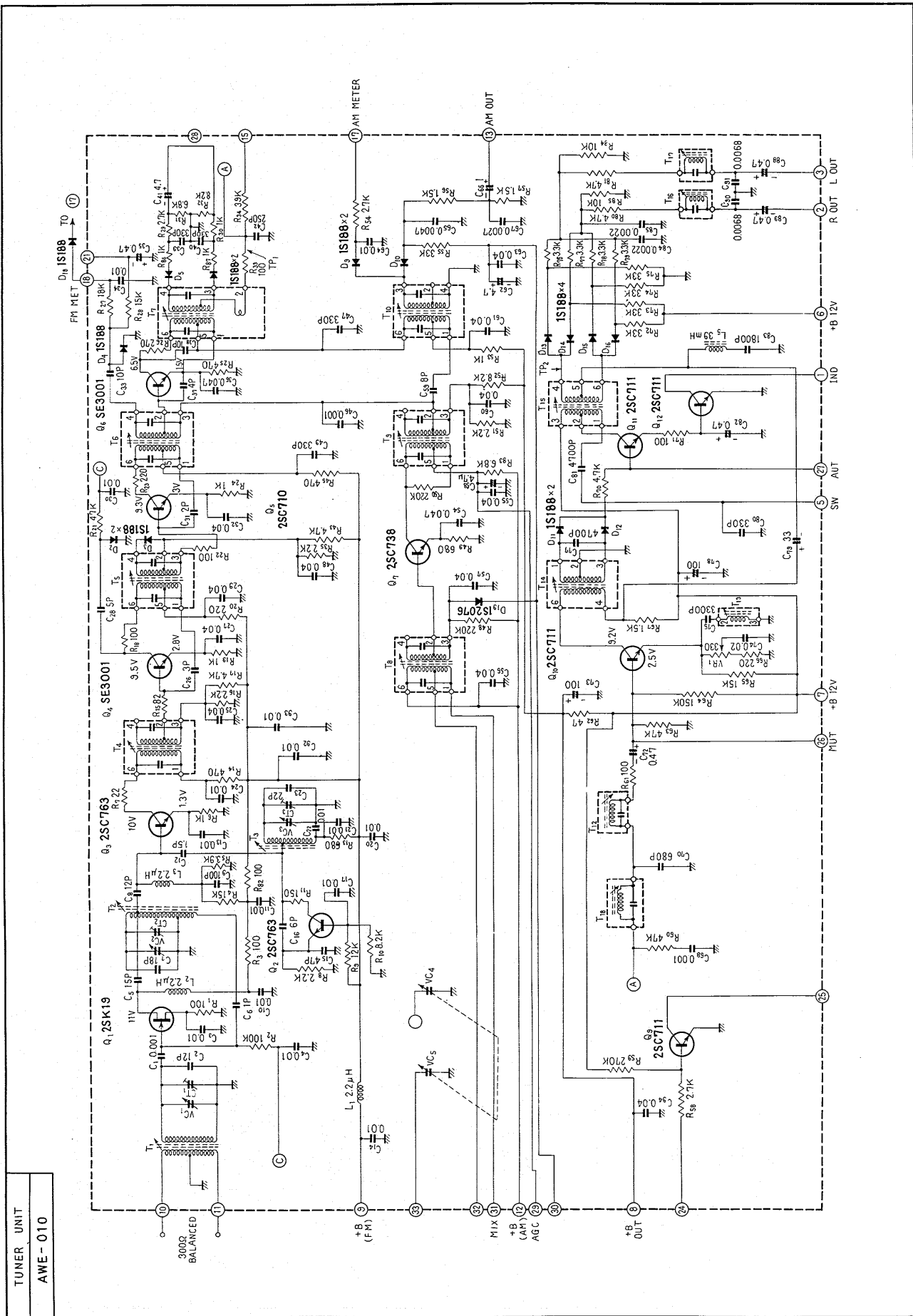
**LW/MW/FM STEREO RECEIVER**  
**LX-440A**

UNIT	ROUND LABEL	FVW					
TUNER UNIT	AWE-010						
FM FRONT END							
FM IF UNIT							
MPX UNIT							
AM UNIT	AWF-003						
MUTING UNIT							
AF UNIT	AWK-008						
CONTROL AMP UNIT							
MAIN AMP UNIT							
POWER SUPPLY UNIT	W16-021						
SWITCH UNIT							
SWITCH UNIT							
SWITCH UNIT							
TONE COLOR UNIT							
CONTROL UNIT							
MIC AMP UNIT							
REVERBE AMP UNIT							
REVERBE UNIT							



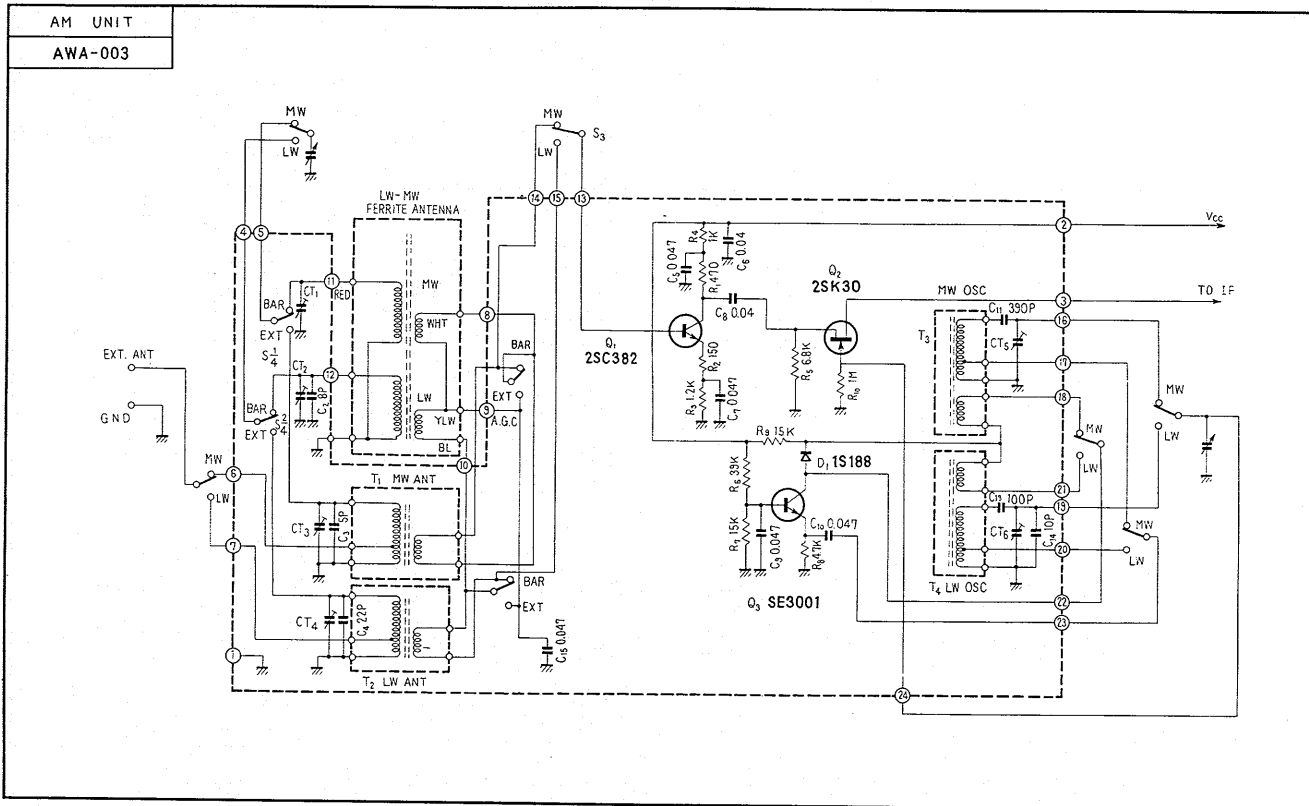


TUNER UNIT

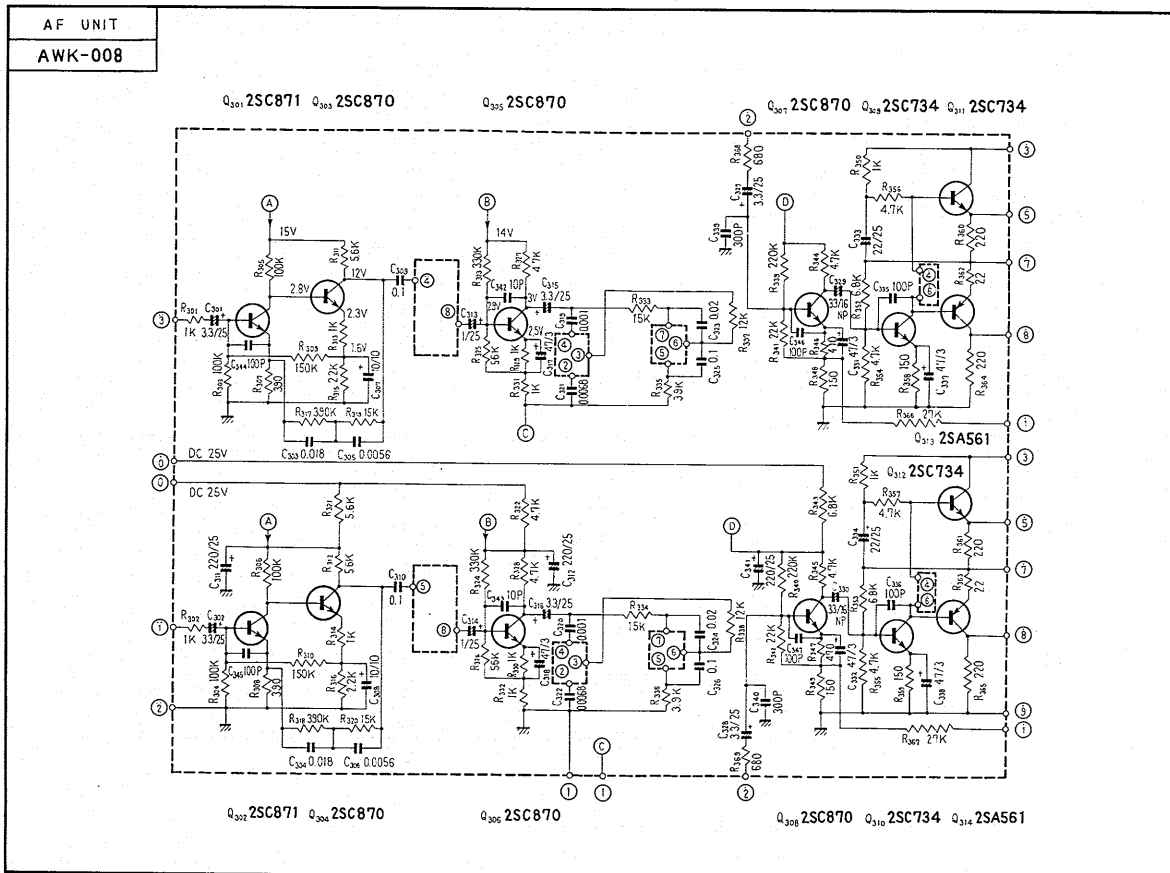


TUNER UNIT  
AWE-010

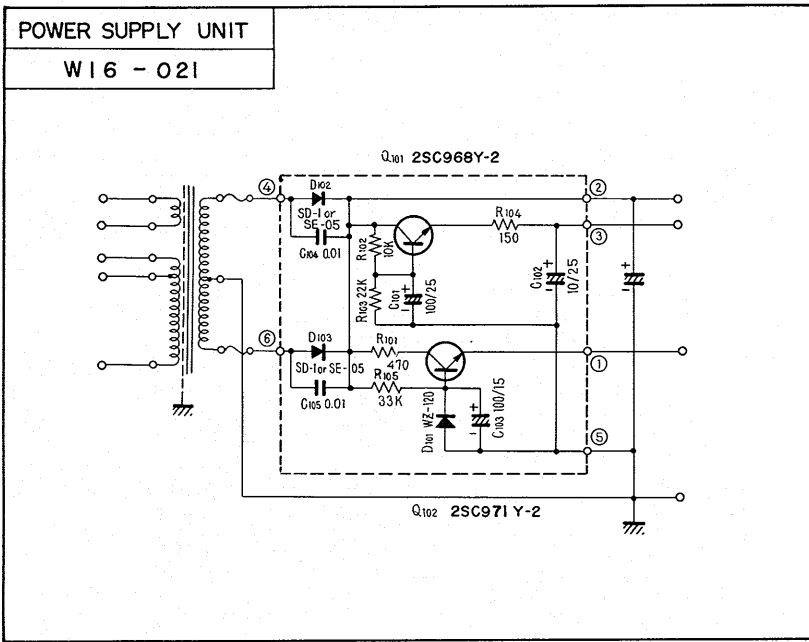
# AM UNIT



# AF UNIT



POWER SUPPLY UNIT



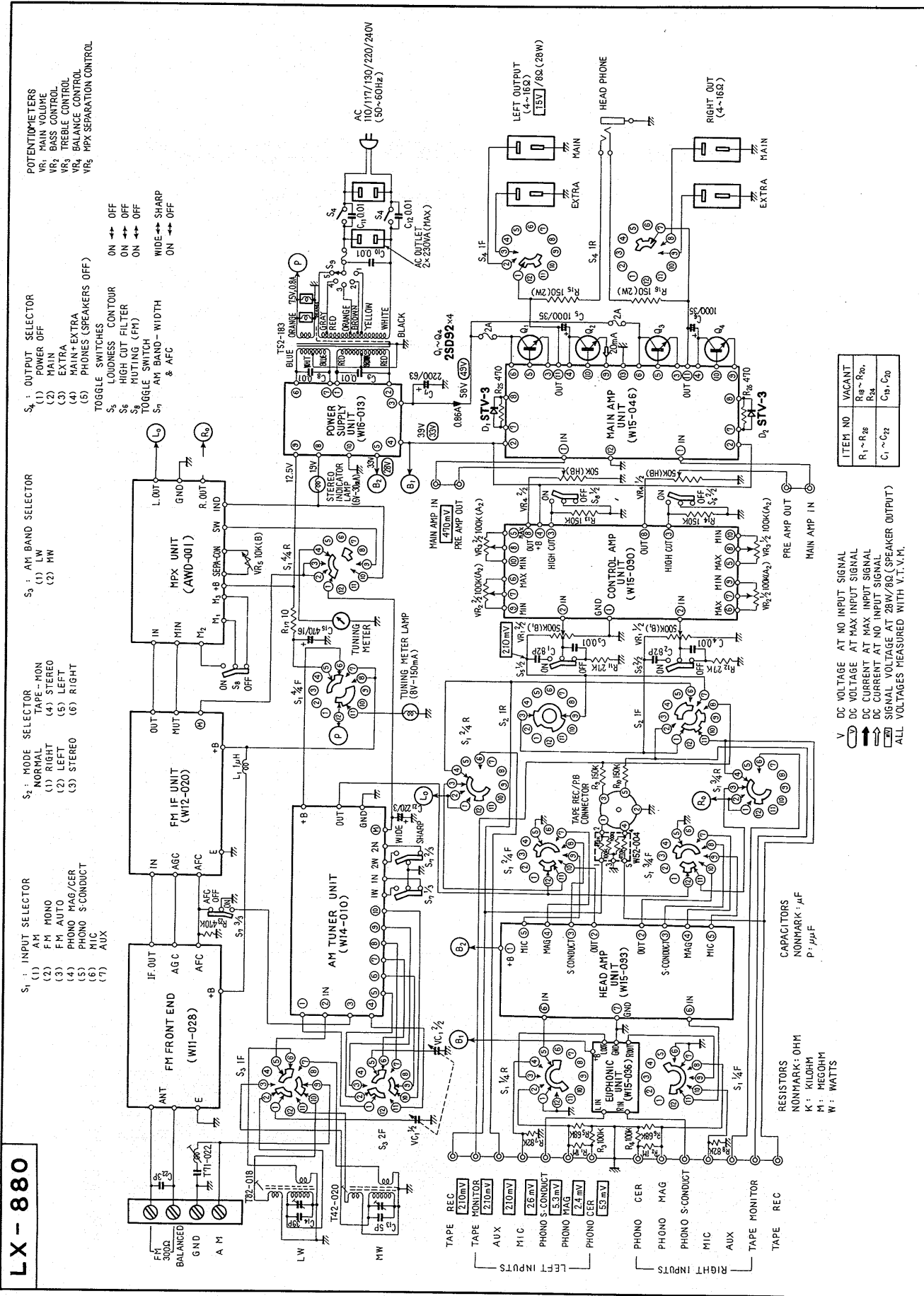


## LW/MW/FM STEREO RECEIVER

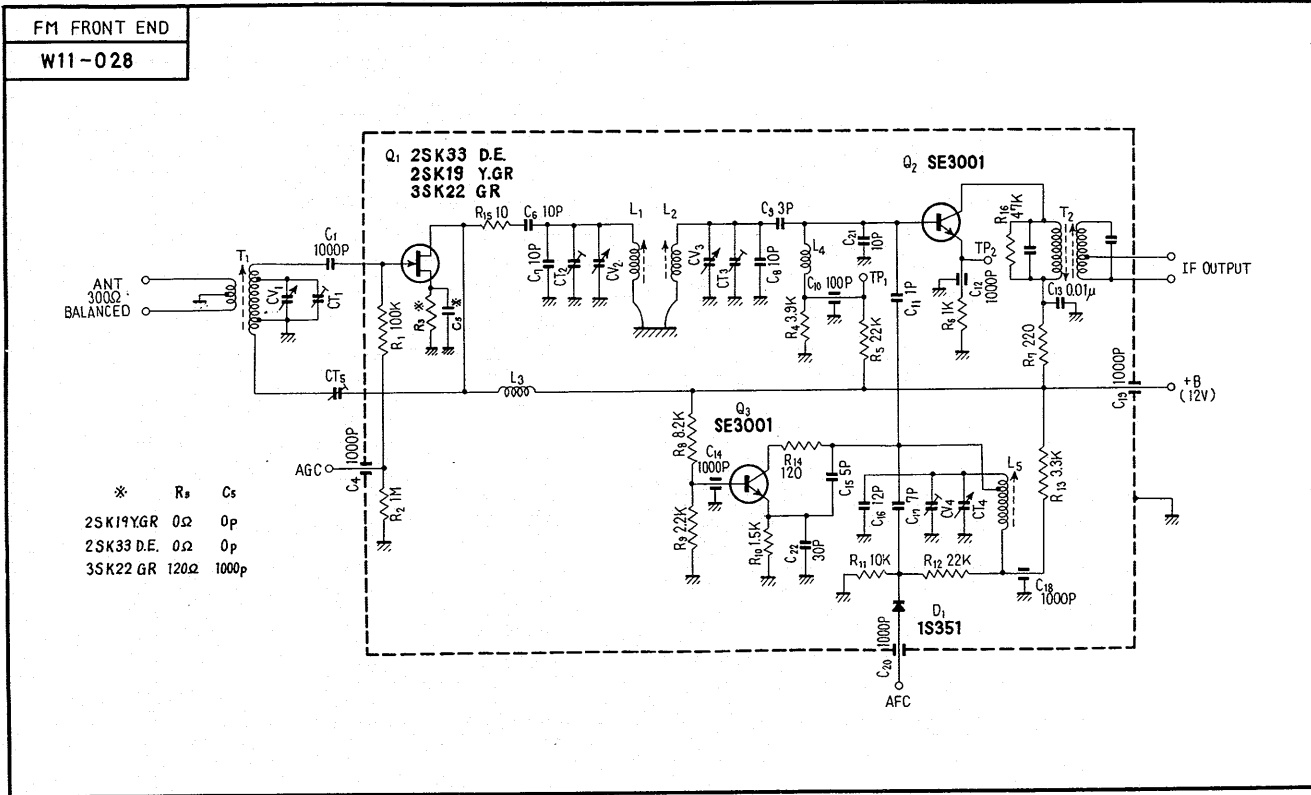
### LX-880

ROUND LABEL UNIT	FVW					
FM FRONT END	W11-028					
FM IF UNIT	W12-020					
MPX UNIT	AWD-001					
AM TUNER UNIT	W14-010					
MUTING UNIT						
HEAD AMP UNIT	W15-093					
CONTROL AMP UNIT	W15-090					
MAIN AMP UNIT	W15-046					
POWER SUPPLY UNIT	W16-013					
SWITCH UNIT						
SWITCH UNIT						
SWITCH UNIT						
TONE COLOR UNIT						
CONTROL UNIT						
MIC AMP UNIT						
REVERBE AMP UNIT						
REVERBE UNIT						
EUPHONIC UNIT	W15-036					

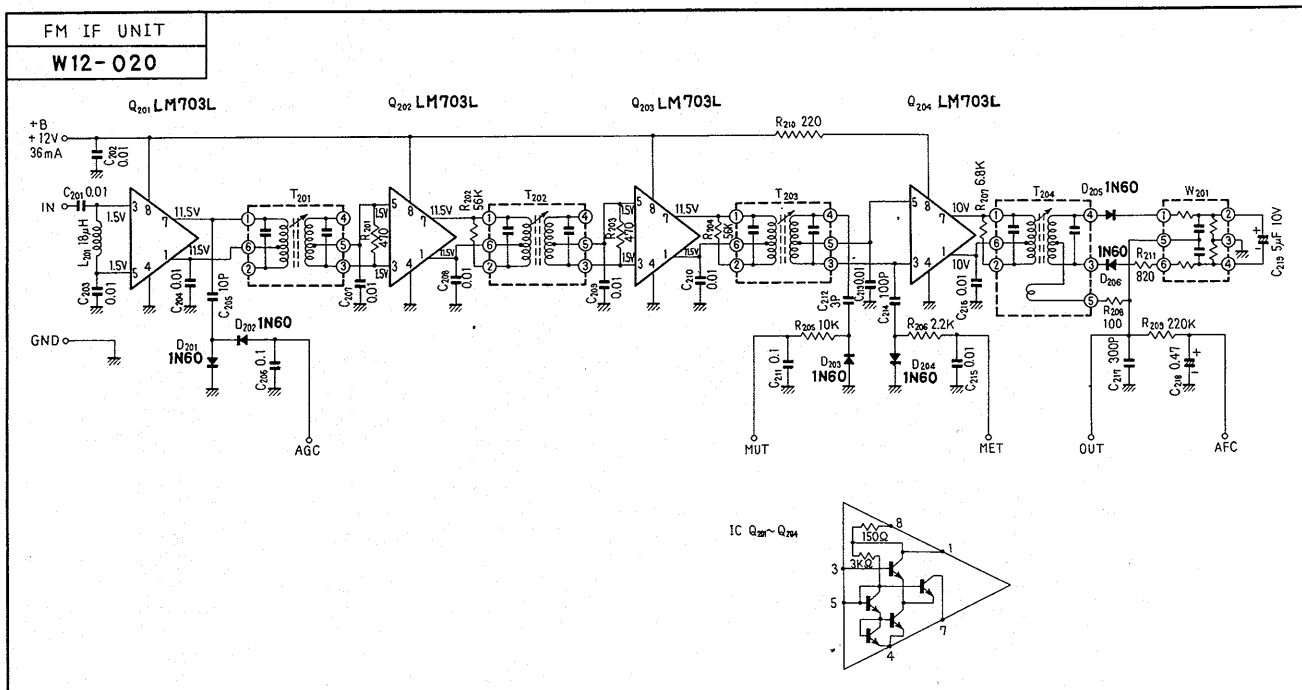




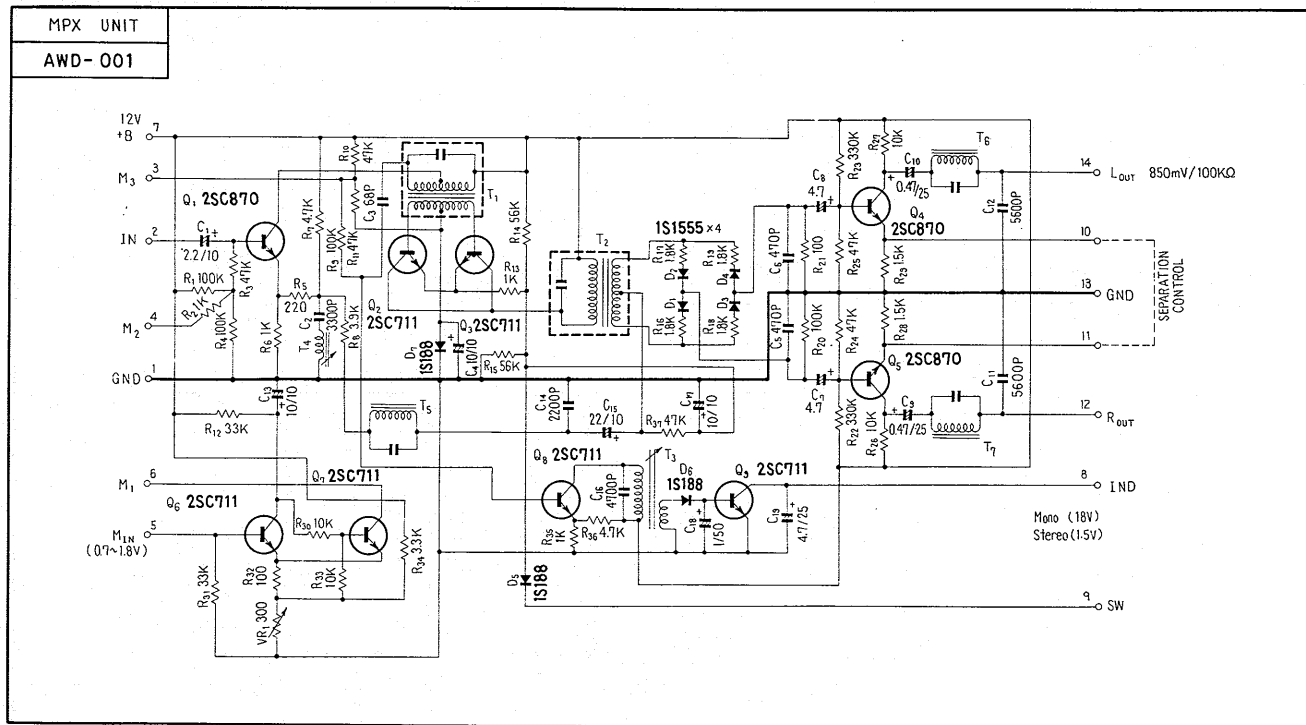
FM FRONT END



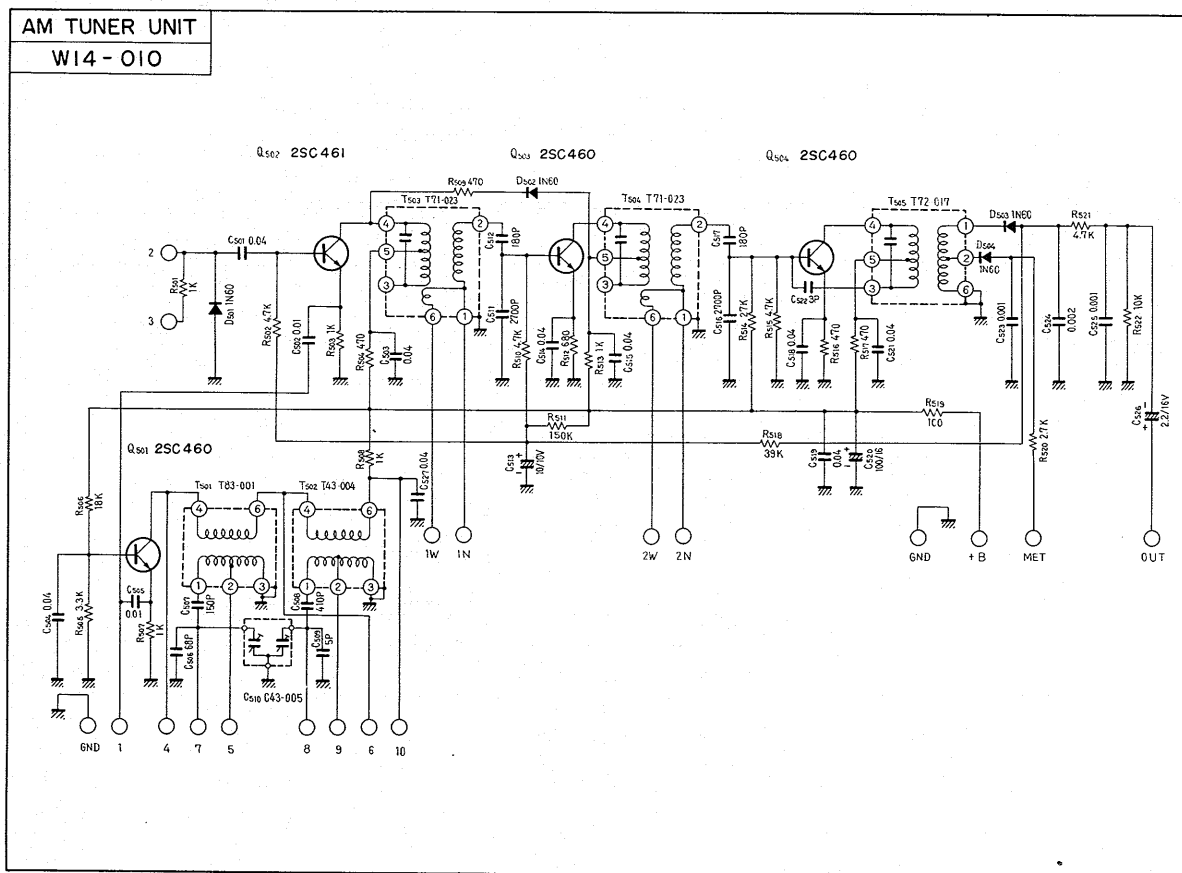
FM IF UNIT



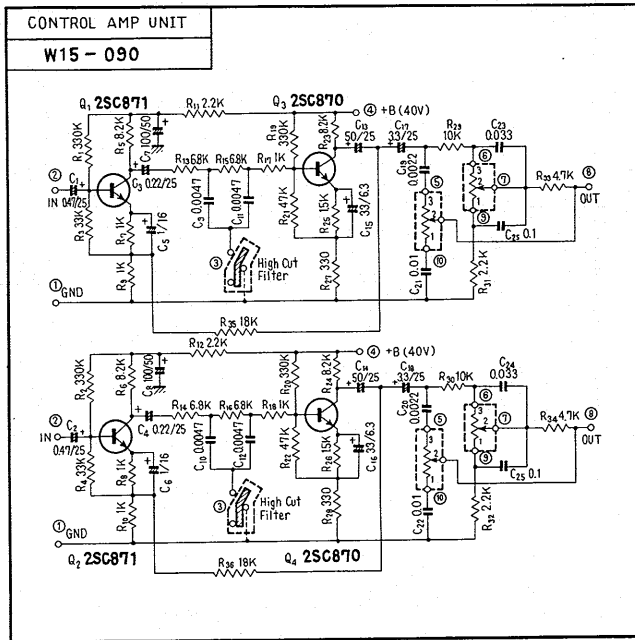
# MPX UNIT



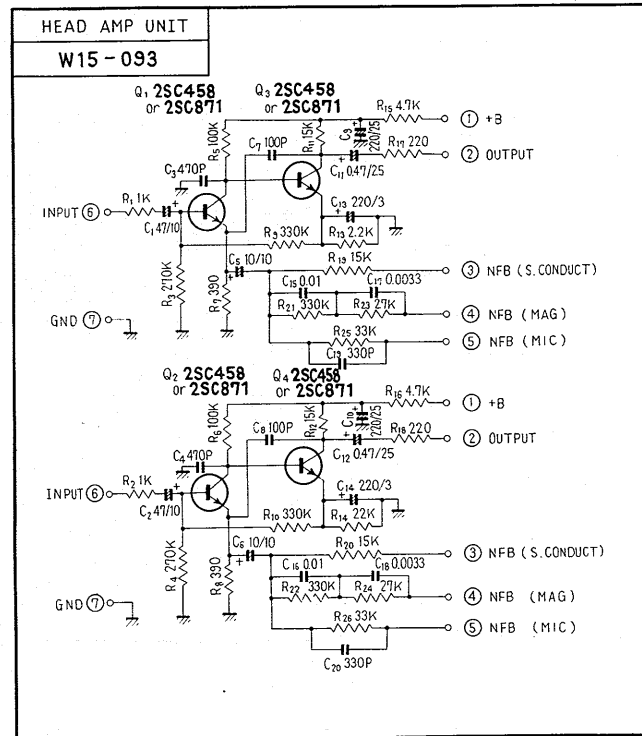
# AM TUNER UNIT



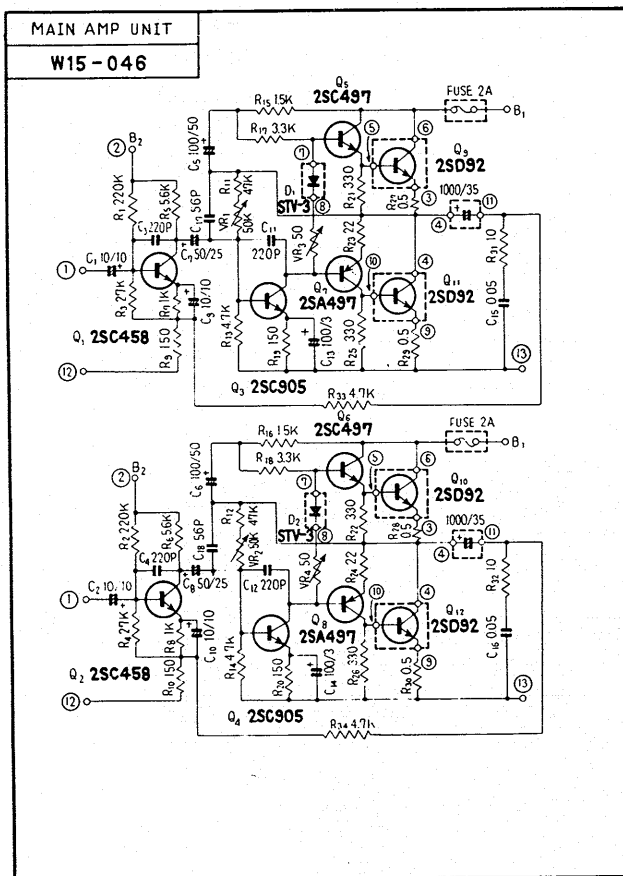
CONTROL UNIT



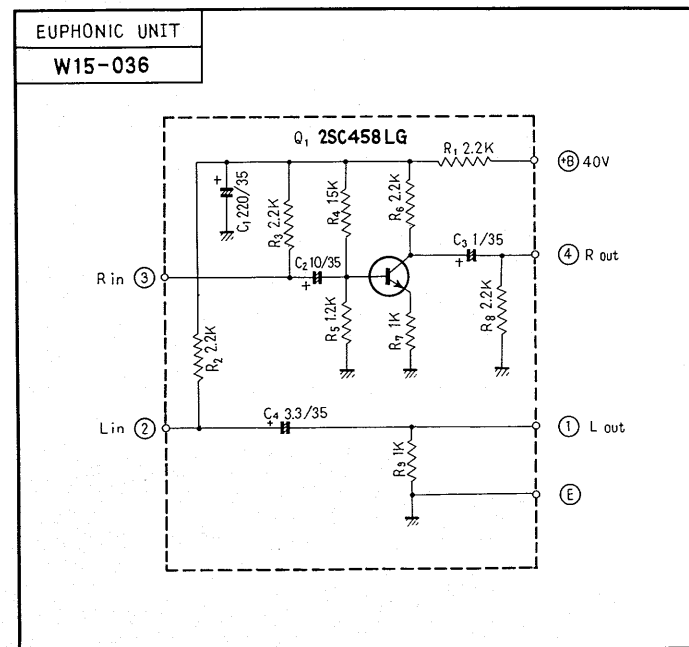
HEAD AMP UNIT



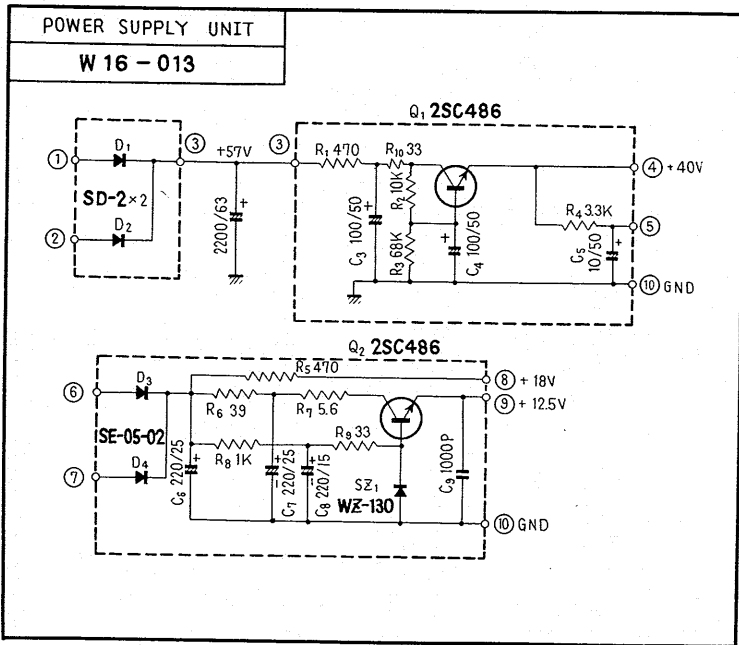
MAIN AMP UNIT



EUPHONIC UNIT

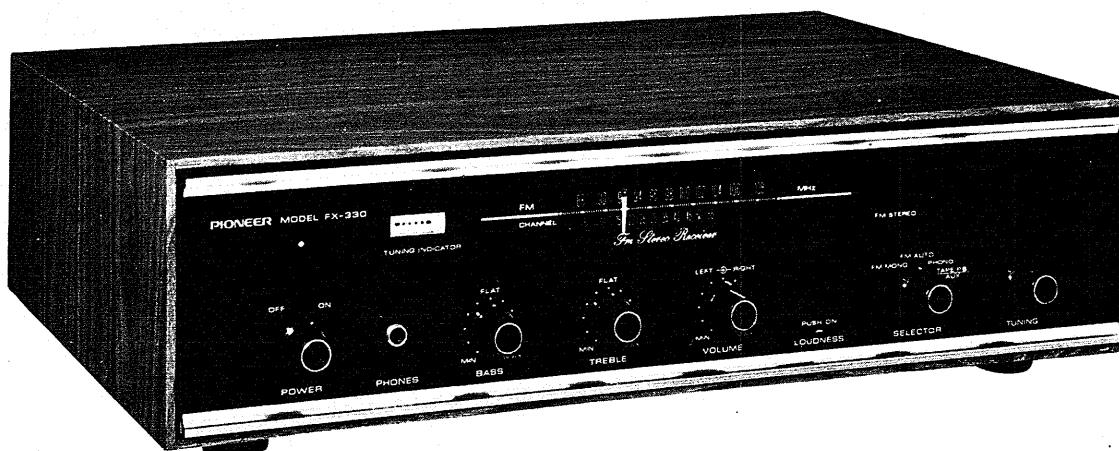


# POWER SUPPLY UNIT



## FM STEREO RECEIVER FX-330

UNIT \ ROUND LABEL	NBW	FVZW	FBW			
TUNER UNIT	W35-021	AWE-005	W35-021			
FM FRONT END						
FM IF UNIT						
MPX UNIT						
AM TUNER UNIT						
MUTING UNIT						
AF UNIT	W36-007	W36-007	W36-007			
CONTROL AMP UNIT						
MAIN AMP UNIT						
POWER SUPPLY UNIT						
SWITCH UNIT						
SWITCH UNIT						
SWITCH UNIT						
TONE COLOR UNIT						
CONTROL UNIT						
MIC AMP UNIT						
REVERBE AMP UNIT						
REVERBE UNIT						



FX-330

NOTE  
 → NO INPUT SIGNAL DC CURRENT  
 V NO INPUT SIGNAL DC VOLTAGE  
 ( V) MAXIMUM OUTPUT DC VOLTAGE  
 □ SIGNAL VOLTAGE AT 8W/8Ω 1KHz

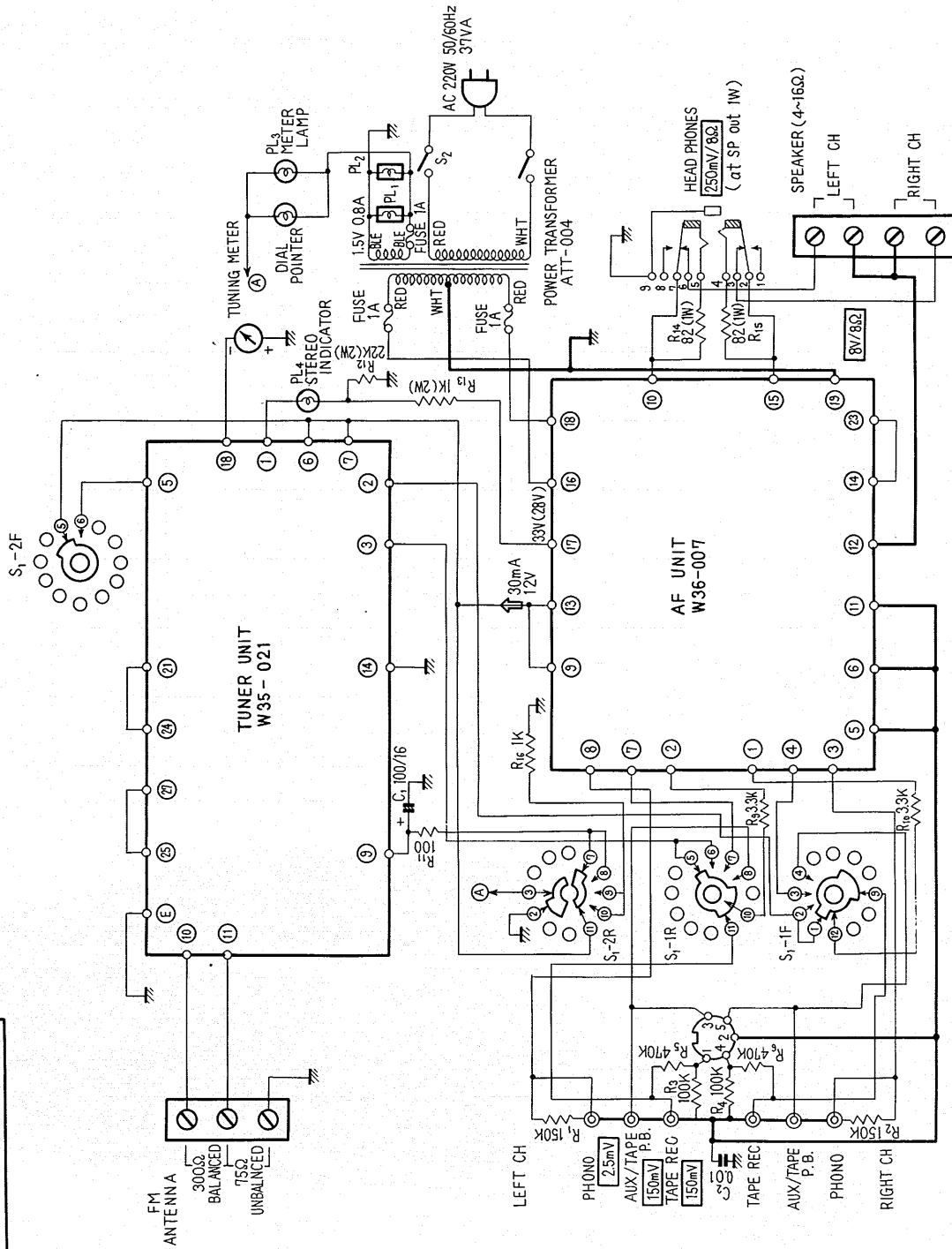
SWITCHES  
 S<sub>1</sub> INPUT SELECTOR  
 1) FM MONO  
 2) FM AUTO  
 3) PHONO  
 4) AUX/TAPE P.B.  
 S<sub>2</sub> POWER SWITCH

RESISTORS

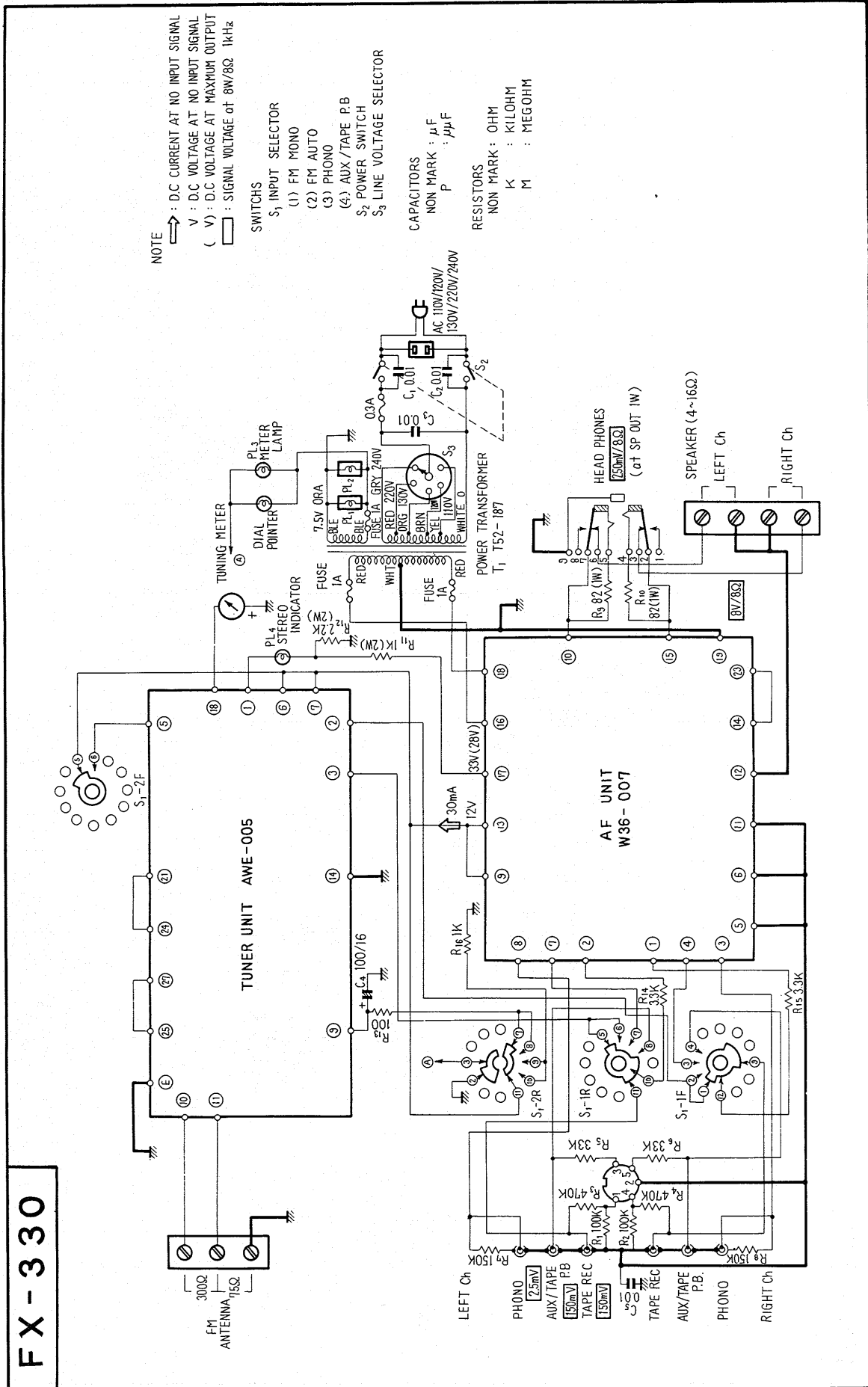
NONMARK : OHM K : KILOHM  
 M : MEGOHM

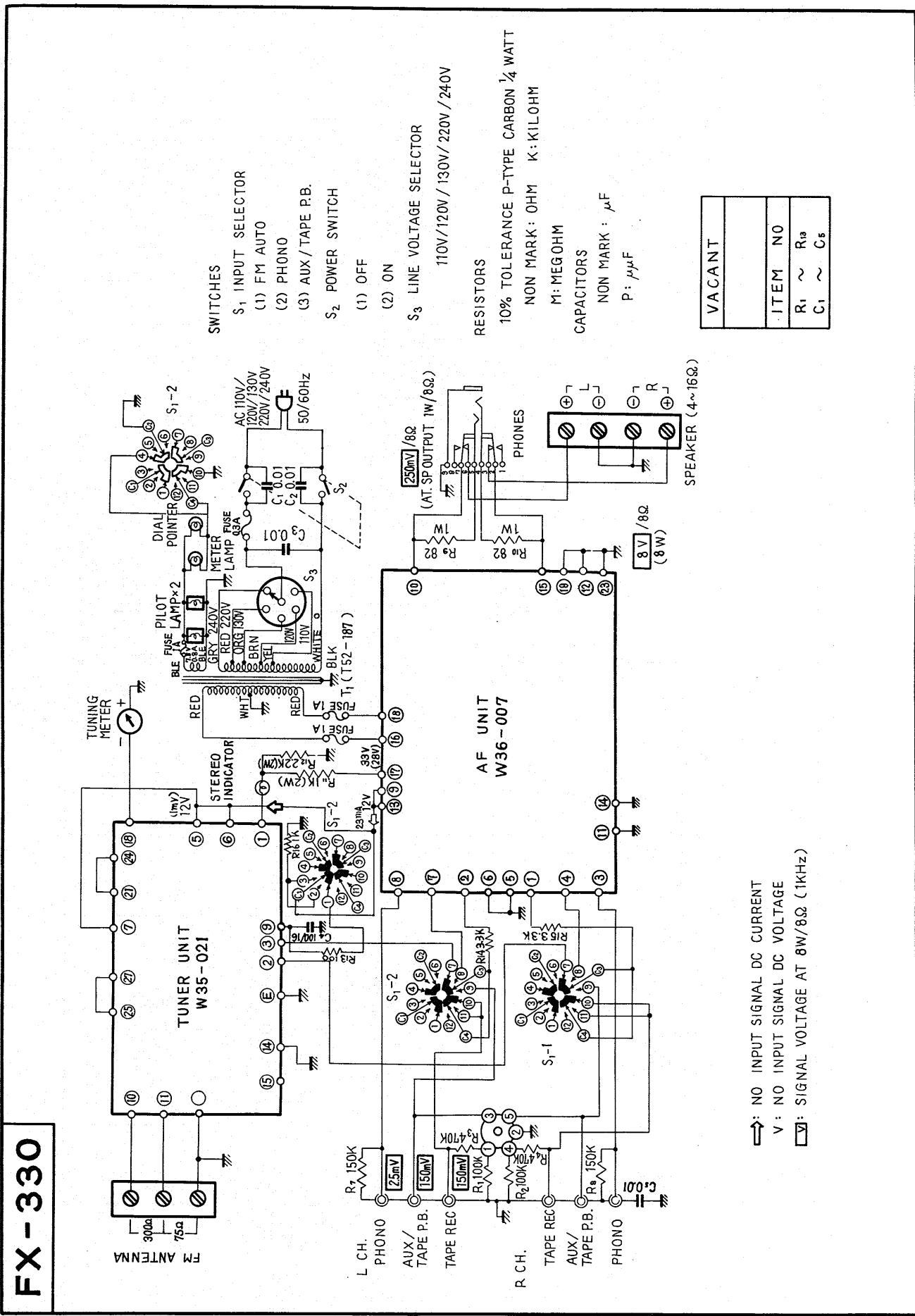
CAPACITORS

NONMARK : μF P : μμF







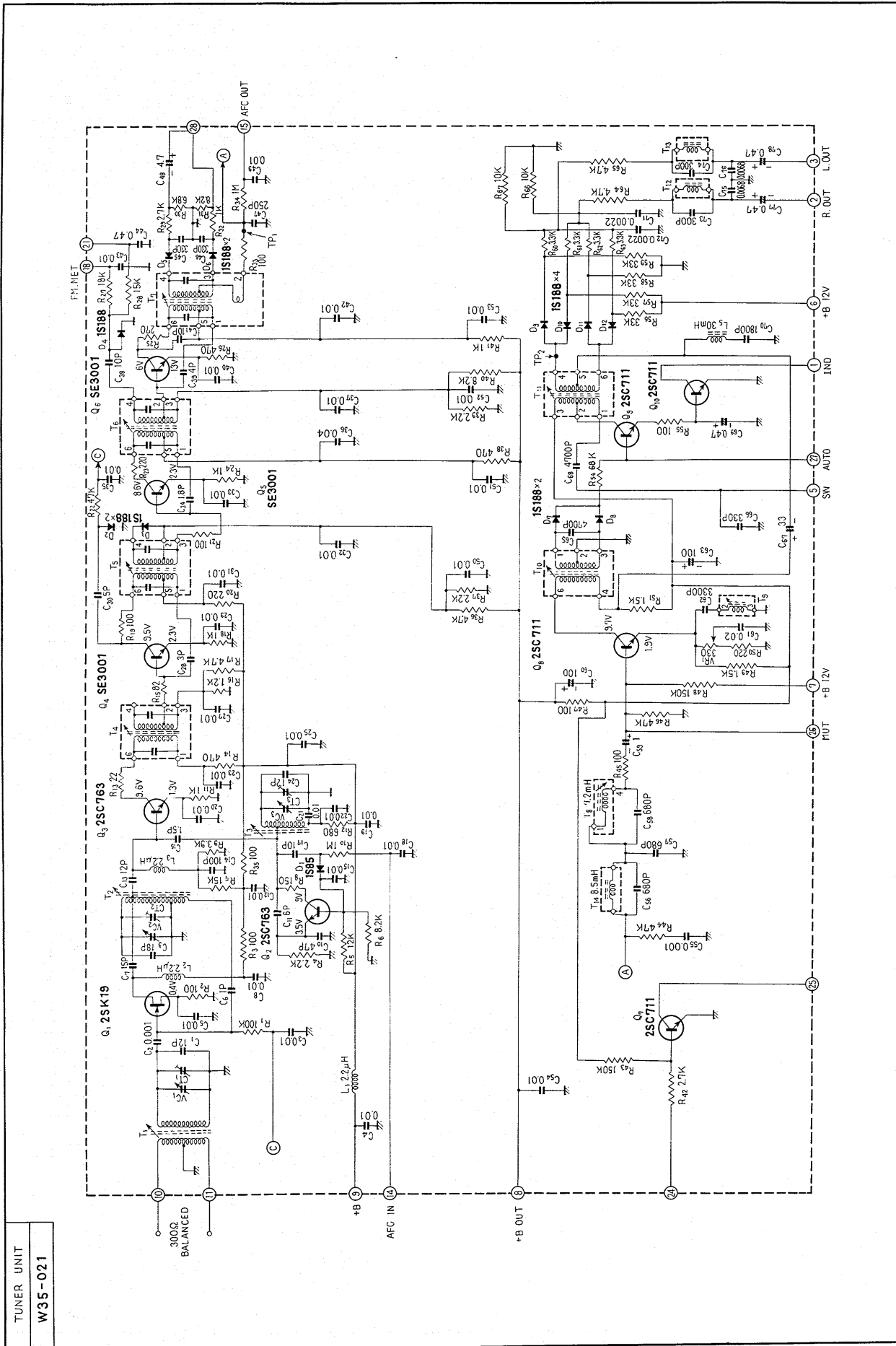


VACANT	
ITEM NO	
R <sub>1</sub> ~ R <sub>9</sub>	
C <sub>1</sub> ~ C <sub>5</sub>	

**FX-330**

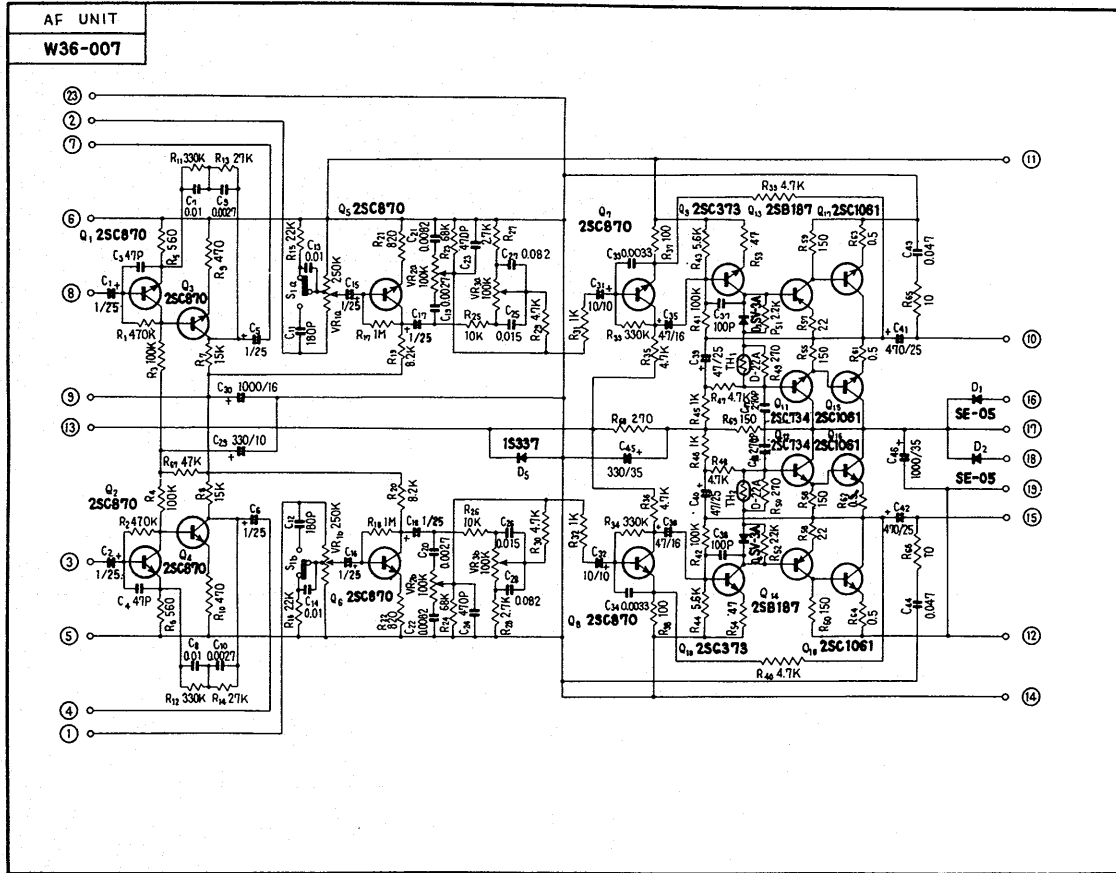
TUNER UNIT

TUNER UNIT  
W35-021





AF UNIT

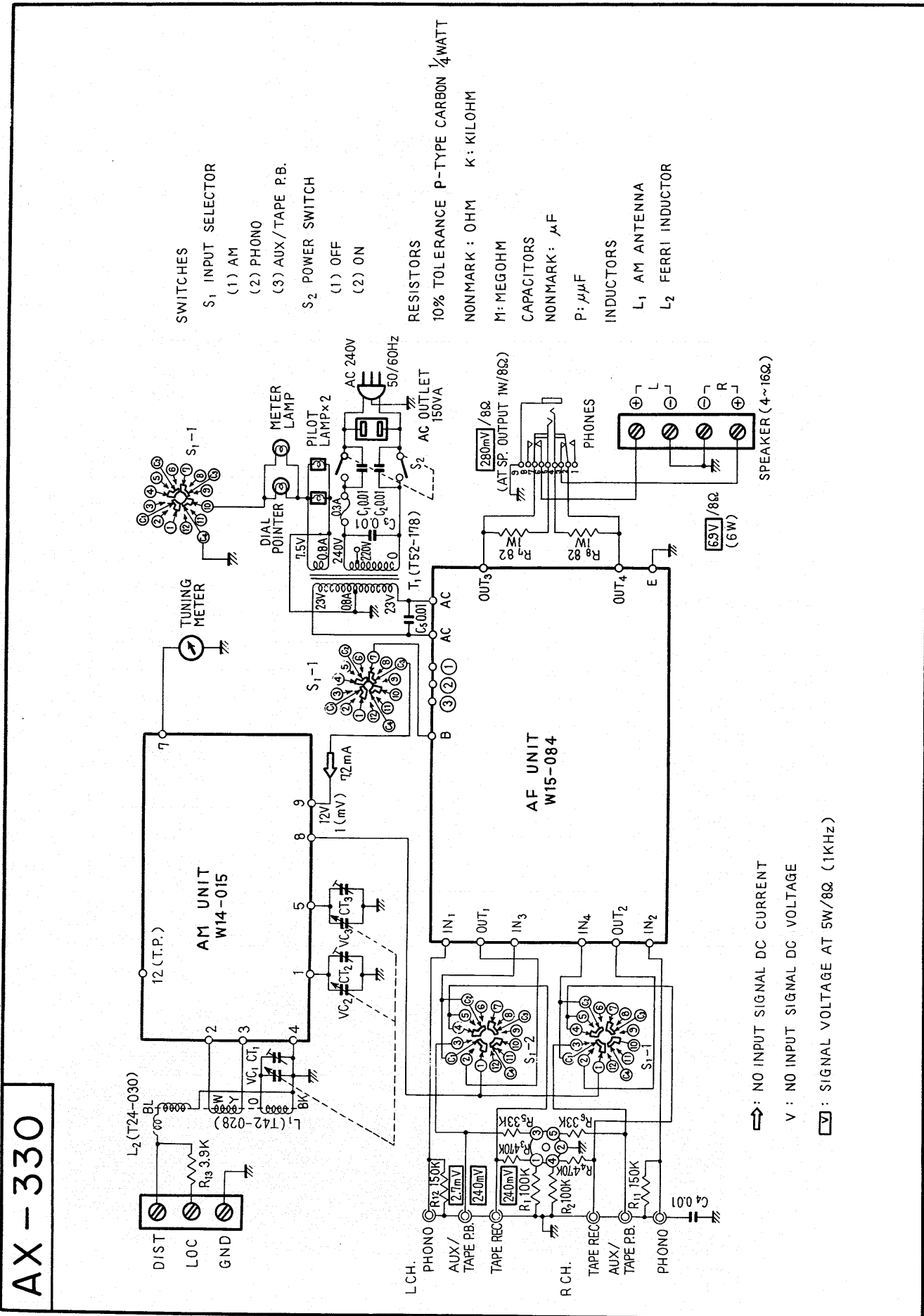


# AM RECEIVER

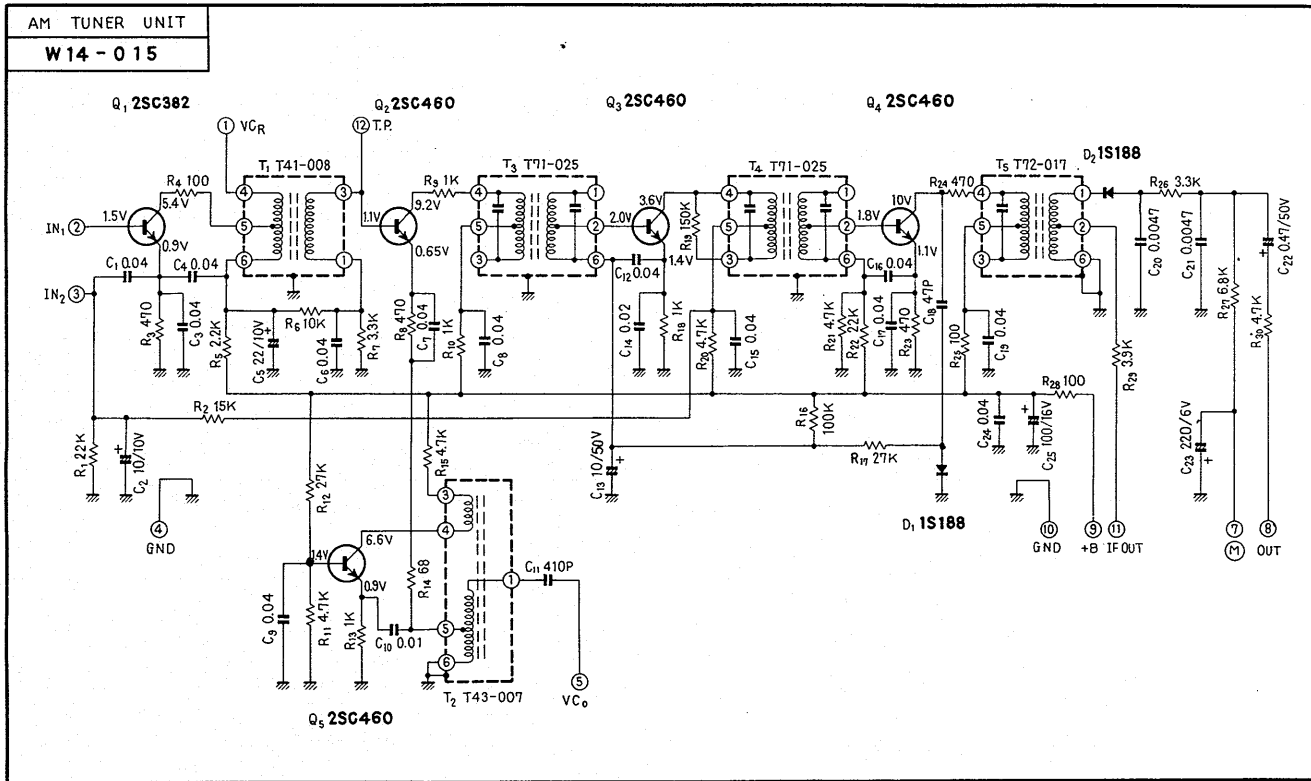
## AX-330

UNIT	ROUND LABEL	YAW					
TUNER UNIT							
FM FRONT END							
FM IF UNIT							
MPX UNIT							
AM TUNER UNIT		W14-015					
MUTING UNIT							
AF UNIT		W15-084					
CONTROL AMP UNIT							
MAIN AMP UNIT							
POWER SUPPLY UNIT							
SWITCH UNIT							
SWITCH UNIT							
SWITCH UNIT							
TONE COLOR UNIT							
CONTROL UNIT							
MIC AMP UNIT							
REVERBE AMP UNIT							
REVERBE UNIT							
INDICATOR UNIT							

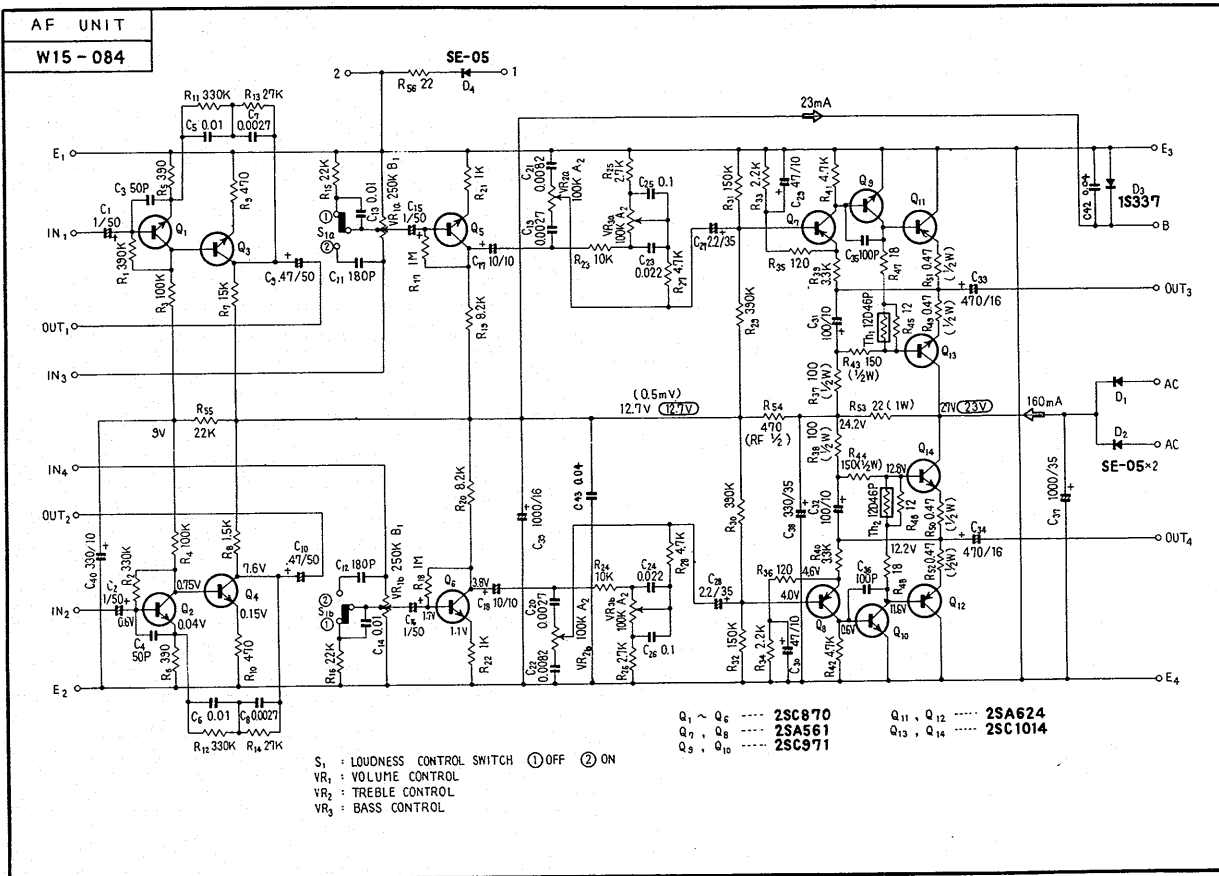




AM TUNER UNIT



AF UNIT





**PIONEER ELECTRONIC CORPORATION**

15-5, 4-Chome, Ohmori-nishi, Ohta-ku, Tokyo, Japan

**U.S. PIONEER ELECTRONICS CORPORATION**

178 Commerce Road, Carlstadt New Jersey 07072 U.S.A.

**PIONEER ELECTRONIC (EUROPE) N.V.**

Noorderlaan 83, 2030 Antwerp, Belgium

COPYRIGHT © DEC. 1971.

PRINTED IN JAPAN

<R42-233-0>

<71L02M71K>