

SLV-478/677HF/678HF/688HF/L47/L48/L57/ L58/L67HF/L68HF/L77HF/L78HF/X50/X60HF

SECTION 7 REPAIR PARTS LIST

7-1. EXPLODED VIEWS

Note:

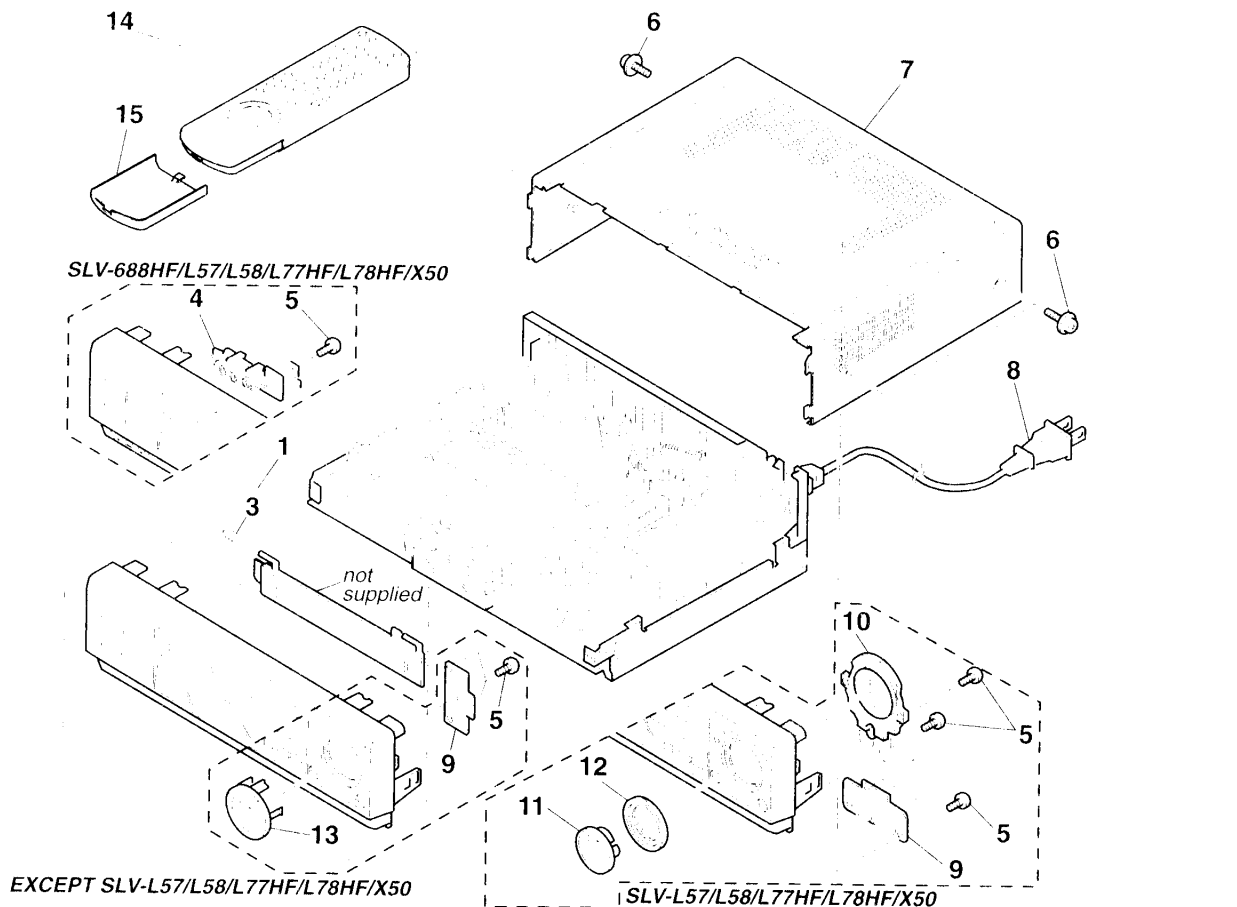
- -XX, -X mean standardized parts, so they may have some differences from the original one.
- Items marked "X" are not stocked since they are seldom required for routine service. Some delay should be anticipated when ordering these items.

- The mechanical parts with no reference number in the exploded views are not supplied.
- Hardware (#mark) list is given in the last of this parts list.

The components identified by mark * or dotted line with mark * are critical for safety. Replace only with part number specified.

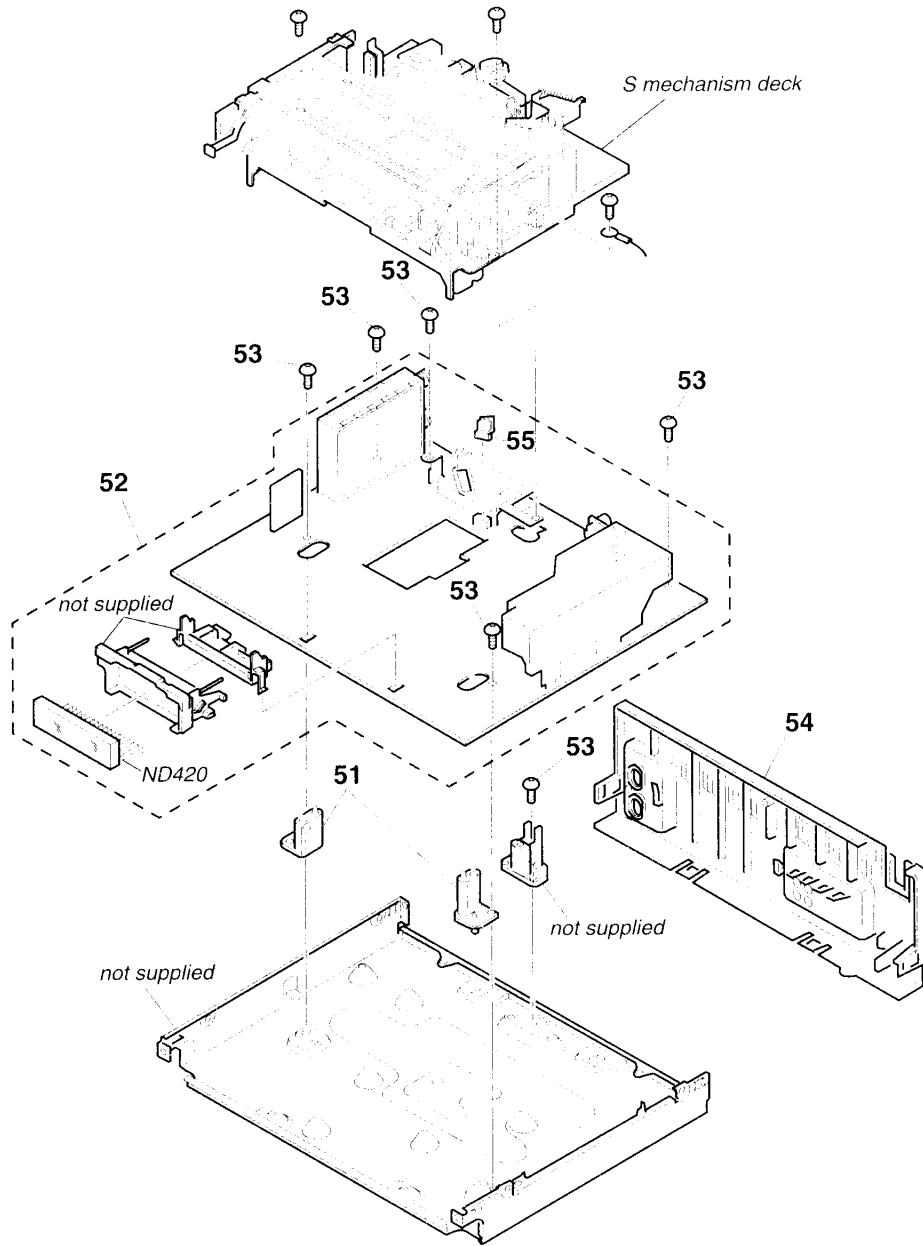
Les composants identifiés par une marque * sont critiques pour la sécurité. Ne les remplacer que par une pièce portant le numéro spécifié.

7-1-1. FRONT PANEL ASSEMBLY AND UPPER CASE SECTION



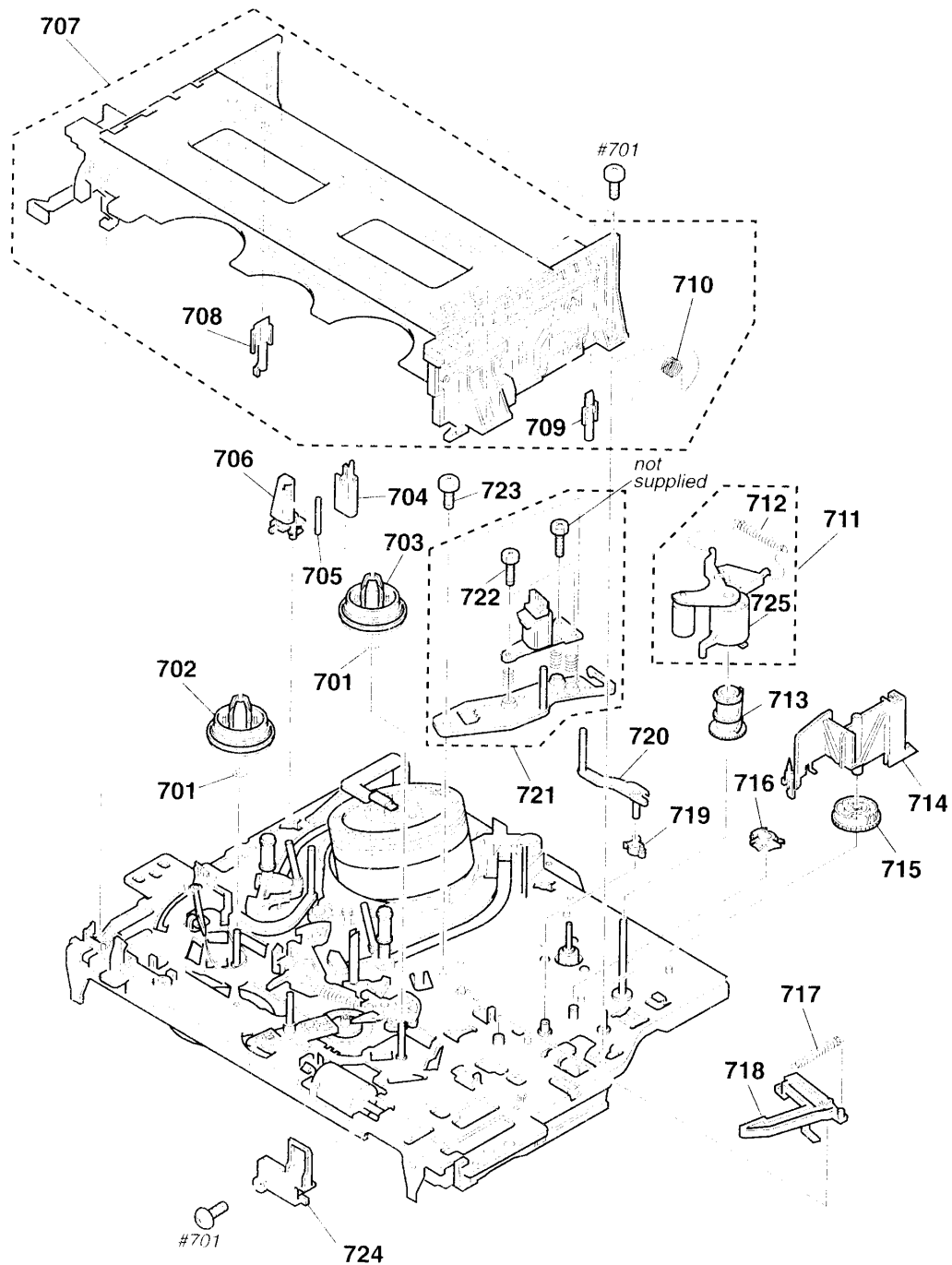
| Ref. No. | Part No. | Description | Remarks | Ref. No. | Part No. | Description | Remarks |
|----------|--------------|--|---------|----------|--------------|--|---------|
| 1 | X-3948-006-1 | PANEL ASSY. FRONT (478) | | * 9 | A-6794-482-A | DS-79S BOARD, COMPLETE | |
| 1 | X-3948-007-1 | PANEL ASSY. FRONT (678HF) | | | | (478,677HF,678HF,688HF) | |
| 1 | X-3948-008-1 | PANEL ASSY. FRONT (688HF) | | * 9 | A-6794-503-A | DS-79SX BOARD, COMPLETE | |
| 1 | X-3948-009-1 | PANEL ASSY. FRONT (L47) | | | | (L47,L48,L67HFPA,L68HF,X60HF) | |
| 1 | X-3948-010-1 | PANEL ASSY. FRONT (L57) | | * 9 | A-6794-509-A | DS-79D BOARD, COMPLETE | |
| | | | | | | (L57,L58,L77HF,L78HF,X50) | |
| 1 | X-3948-011-1 | PANEL ASSY. FRONT (L67HF) | | 10 | 1-762-844-21 | SWITCH, ROTARY (L57,L58,L77HF,L78HF,X50) | |
| 1 | X-3948-012-1 | PANEL ASSY. FRONT (L77HF) | | 11 | 3-972-782-11 | BUTTON, CENTER (L57,L77HF) | |
| 1 | X-3948-013-1 | PANEL ASSY. FRONT (L78HF) | | 11 | 3-972-782-61 | BUTTON, CENTER (L58,L78HF,X50) | |
| 1 | X-3948-014-1 | PANEL ASSY. FRONT (L68HF) | | 12 | 3-979-480-01 | RING, BP JOG (L58,L78HF,X50) | |
| 1 | X-3948-015-1 | PANEL ASSY. FRONT (L58) | | 12 | 3-979-480-11 | RING, BP JOG (L57,L77HF) | |
| 1 | X-3948-016-1 | PANEL ASSY. FRONT (L48) | | 13 | X-3946-598-1 | BUTTON ASSY. FUNCTION (677HF) | |
| 1 | X-3948-036-1 | PANEL ASSY. FRONT (677HF) | | 13 | X-3948-060-1 | BUTTON ASSY. FUNCTION (L48,L68HF,X60HF) | |
| 1 | X-3948-037-1 | PANEL ASSY. FRONT (X60HF) | | 13 | X-3948-061-1 | BUTTON ASSY. FUNCTION (L47,L67HF) | |
| 1 | X-3948-038-1 | PANEL ASSY. FRONT (X50) | | 14 | 1-475-552-11 | COMMANDER, STANDARD (RMT-V230) | |
| 3 | 3-953-432-01 | SPRING (GE), FL | | | | (L47,L48) | |
| * 4 | A-6794-483-A | JK-161 BOARD, COMPLETE (688HF) | | 14 | 1-475-553-11 | COMMANDER, STANDARD (RMT-V231) | |
| * 4 | A-6794-508-A | JK-161MX BOARD, COMPLETE (L57,L58,X50) | | | | (L67HF,L68HF,X60HF) | |
| * 4 | A-6794-510-A | JK-161HX BOARD, COMPLETE (L77HF,L78HF) | | 14 | 1-475-553-21 | COMMANDER, STANDARD (RMT-V231A) | |
| 5 | 4-921-277-41 | SCREW (B2,6X8), TAPPING, BIND | | | | (478,677HF,678HF) | |
| 6 | 3-710-901-11 | SCREW, TAPPING | | 14 | 1-475-553-31 | COMMANDER, STANDARD (RMT-V231B) | |
| | | | | | | (688HF) | |
| * 7 | 3-988-080-21 | CASE, UPPER (478,677HF,678HF,688HF) | | 14 | 1-475-554-11 | COMMANDER, STANDARD (RMT-V232) | |
| * 7 | 3-988-080-31 | CASE, UPPER | | | | (L57,L58,L77HF,L78HF,X50) | |
| | | (EXCEPT 478,677HF,678HF,688HF) | | 15 | 3-709-128-01 | COVER, BATTERY | |
| 8 | 1-777-851-41 | CORD, POWER (478,677HF,678HF,688HF) | | | | (478,677HF,678HF,L67HF,L68HF,X60HF) | |
| 8 | 1-777-854-41 | CORD, POWER | | 15 | 3-709-129-01 | COVER, BATTERY (L57,L58,L77HF,L78HF) | |
| | | (EXCEPT 478,677HF,678HF,688HF) | | 15 | 3-709-133-01 | COVER, BATTERY (L47,L48) | |

7-1-2. CHASSIS SECTION



| Ref. No. | Part No. | Description | Remarks | Ref. No. | Part No. | Description | Remarks |
|----------|--------------|--|---------|----------|--------------|--|---------|
| * 51 | 3-959-383-01 | BASE (R), MD | | 53 | 3-970-608-21 | SUMITITE (B3), +BV | |
| * 52 | A-6791-430-A | MA-317A BOARD, COMPLETE (688HF) | | * 54 | 3-979-652-01 | PANEL (M), REAR (688HF) | |
| * 52 | A-6791-438-A | MA-317G BOARD, COMPLETE (L47,L48) | | * 54 | 3-979-652-11 | PANEL (M), REAR (677HF,678HF) | |
| * 52 | A-6791-445-A | MA-317E BOARD, COMPLETE (L67HF,L68HF,X60HF) | | * 54 | 3-979-652-31 | PANEL (M), REAR (478) | |
| | | | | * 54 | 3-987-076-01 | PANEL, REAR (L67HF,L68HF,L77HF,L78HF,X60HF) | |
| * 52 | A-6791-447-A | MA-317F BOARD, COMPLETE (L57,L58,X50) | | * 54 | 3-987-076-11 | PANEL, REAR (L47,L48,L57,L58,X50) | |
| * 52 | A-6791-448-A | MA-317D BOARD, COMPLETE (L77HF,L78HF) | | 55 | 1-779-725-11 | CONNECTOR, BOARD TO BOARD 5P | |
| * 52 | A-6791-456-A | MA-317B BOARD, COMPLETE (677HF,678HF) | | ND420 | 1-517-732-11 | TUBE, FLUORESCENT INDICATOR | |
| * 52 | A-6791-458-A | MA-317C BOARD, COMPLETE (478) | | | | | |

7-1-3. MECHANISM DECK-1



| Ref. No. | Part No. | Description | Remarks | Ref. No. | Part No. | Description | Remarks |
|----------|--------------|------------------------------|---------|----------|--------------|-------------------------------|---------|
| 701 | 3-977-509-01 | WASHER, THRUST | | 714 | 3-977-514-01 | OPENER, LID | |
| 702 | 3-977-507-01 | TABLE, REEL (S) (GRAY) | | 715 | 3-977-441-01 | GEAR, PINCH PRESSING | |
| 703 | 3-977-508-01 | TABLE, REEL (T) (BLACK) | | 716 | 3-977-445-01 | GEAR, TG8 ARM DRIVING | |
| 704 | 1-500-144-11 | HEAD, FE | | 717 | 3-977-465-01 | SPRING, EXTENSION (RVS BRAKE) | |
| 705 | 3-977-495-01 | SHAFT, TG2 | | 718 | X-3947-582-1 | ARM ASSY, RVS BRAKE | |
| 706 | 3-977-494-01 | HOLDER, FEH | | 719 | 3-977-446-01 | GEAR, TG8 ARM | |
| 707 | A-6759-619-C | FL COMPLETE ASSY | | 720 | X-3947-590-1 | TG8 ASSY | |
| 708 | 3-977-535-01 | PLATE, LUMINOUS (END SENSOR) | | 721 | A-6759-620-A | HEAD BLOCK ASSY, ACE (TDK) | |
| 709 | 3-977-536-01 | PLATE, LUMINOUS (TOP SENSOR) | | 722 | 3-974-556-01 | + HEXA TT 2.6X9 (TAPER) | |
| 710 | 3-970-471-01 | SPRING (DECK OPEN), TORSION | | 723 | 3-979-508-01 | SCREW | |
| 711 | A-6759-615-A | PRESS BLOCK ASSY, PINCH | | 724 | 3-978-485-01 | PLATE, GUIDE CASSETTE | |
| 712 | 3-958-455-01 | SPRING (PINCH), TENSION | | 725 | X-3946-870-1 | ARM ASSY, PINCH ROLLER | |
| 713 | 3-977-447-01 | GEAR, ELEVATOR | | | | | |

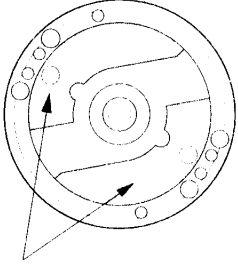
7-1-4. MECHANISM DECK-2

Note: There are two types of drum assembly in the HiFi models for service.

[Discrimination]

No. 768-770

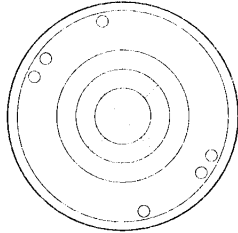
—Top View—



There are two printed circuit boards on the top.

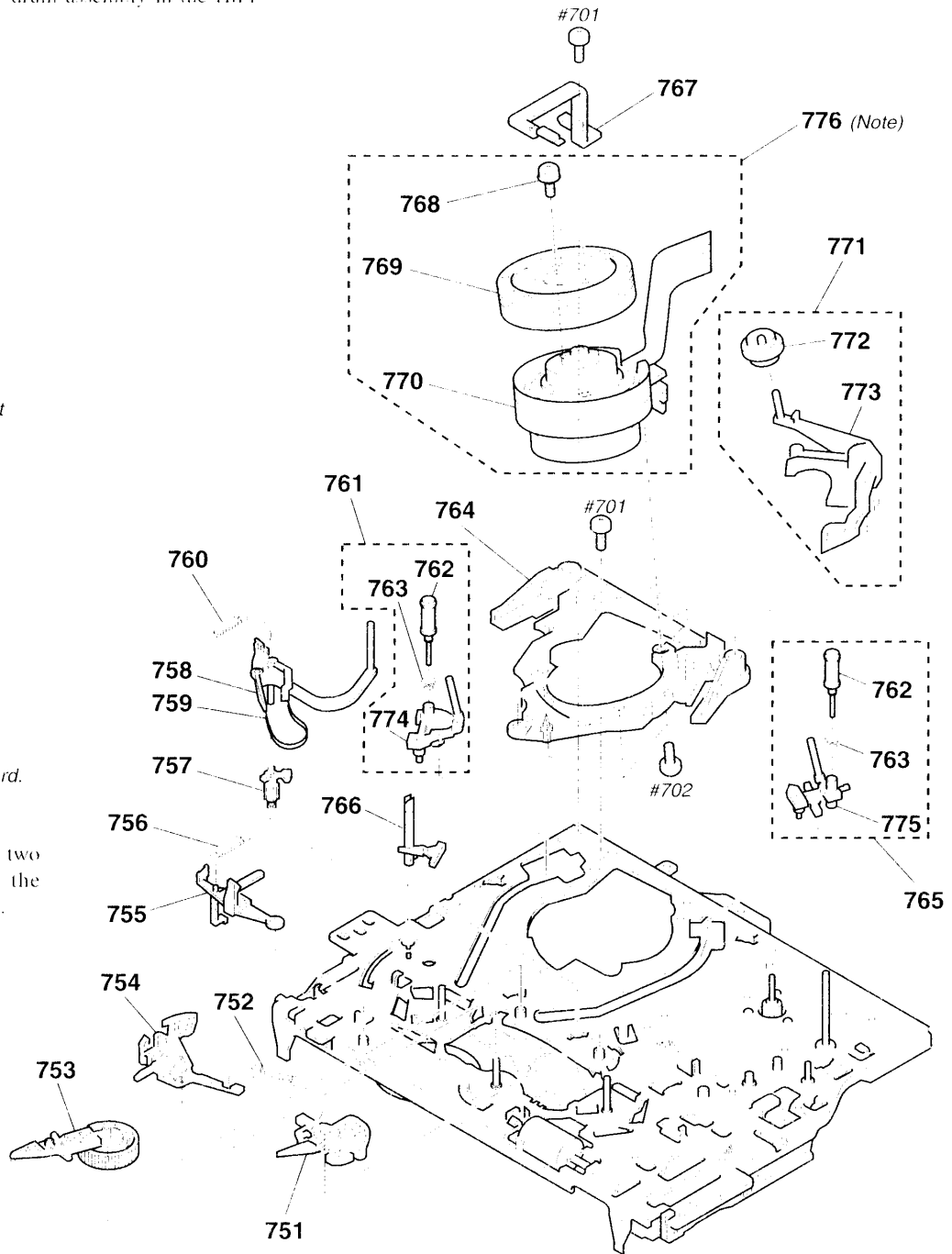
No. 776

—Top View—



There is no printed circuit board.

Note: It cannot be divided to two parts, the upper and the lower drum assemblies.



| Ref. No. | Part No. | Description | Remarks | Ref. No. | Part No. | Description | Remarks |
|----------|--------------|--------------------------------|---------|----------|--------------|---|---------|
| 751 | X-3947-581-1 | BRAKE ASSY.MAIN(T) | | 765 | A-6750-325-A | SHUTTLE (T) BLOCK ASSY | |
| 752 | 3-977-462-01 | SPRING.EXTENTION. (MAIN BRAKE) | | 766 | 3-977-501-01 | PLATE, LUMINOUS | |
| 753 | X-3947-573-1 | ARM ASSY. PENDULUM | | 767 | X-3943-899-8 | GROUND ASSY, SHAFT | |
| 754 | X-3947-580-2 | BRAKE ASSY. MAIN(S) | | 768 | 2-643-205-01 | SCREW | |
| 755 | 3-977-513-02 | LEVER, REC. PROOF | | 769 | 8-848-576-02 | DRUM ASSY, UPPER DZR-45-R (HiFi)(Note) | |
| 756 | 3-976-767-01 | SPRING. TENS. (REC. PROOF) | | 770 | 8-848-666-11 | DRUM ASSY, LOWER DZL-51B/J-RP (M901) (HiFi) | |
| 757 | 3-977-487-01 | BOSS, TG1 FULCRUM | | 771 | A-6746-074-G | ROLLER BLOCK ASSY, HC | |
| 758 | X-3947-587-1 | TG1 ASSY | | 772 | X-3947-255-1 | ROLLER ASSY. HC | |
| 759 | X-3947-589-1 | BAND ASSY. TG1 | | 773 | 3-975-724-07 | ARM, HC | |
| 760 | 3-977-488-01 | SPRING (POWER TENSION) | | 774 | X-3946-855-1 | SHUTTLE (S) ASSY | |
| 761 | A-6750-324-A | SHUTTLE (S) BLOCK ASSY | | 775 | X-3946-856-1 | SHUTTLE (T) ASSY | |
| 762 | X-3944-378-1 | ROLLER ASSY. GUIDE | | 776 | 8-839-036-04 | DRUM ASSY DZH-73D-ZRB (M901)(MONO) | |
| 763 | 3-965-178-01 | SPRING | | 776 | 8-839-044-02 | DRUM ASSY DZH-94A/Z-RP (M901)(HiFi)(Note) | |
| 764 | 3-969-629-01 | BASE, DRUM | | | | | |

