

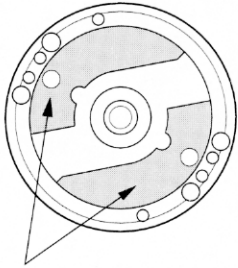
Ref. No.	Part No.	Description	Remarks	Ref. No.	Part No.	Description	Remarks
701	3-977-509-01	WASHER, THRUST		713	3-977-447-01	GEAR, ELEVATOR	
702	3-977-507-01	TABLE, REEL (S) (GRAY)		714	3-977-514-01	OPENER, LID	
703	3-977-508-01	TABLE, REEL (T) (BLACK)		715	3-977-441-01	GEAR, PINCH PRESSING	
704	1-500-144-11	HEAD, FE		716	3-977-445-01	GEAR, TG8 ARM DRIVING	
705	3-977-495-01	SHAFT TG2		717	3-977-465-01	SPRING, EXTENSION (RVS BRAKE)	
706	3-977-494-01	HOLDER, FEH		718	X-3947-582-1	ARM ASSY, RVS BRAKE	
707	A-6759-619-C	FL COMPLETE ASSY		719	3-977-446-01	GEAR, TG8 ARM	
708	3-977-535-01	PLATE, LUMINOUS (END SENSOR)		720	X-3947-590-1	TG8 ASSY	
709	3-977-536-01	PLATE, LUMINOUS (TOP SENSOR)		721	A-6759-620-A	HEAD BLOCK ASSY, ACE (TDK)	
710	3-970-471-01	SPRING (DECK OPEN), TORSION		722	3-974-556-01	+ HEXA TT 2.6X9 (TAPER)	
711	A-6759-615-A	PRESS BLOCK ASSY, PINCH		723	3-979-508-01	SCREW	
712	3-958-455-01	SPRING (PINCH), TENSION		724	3-978-485-01	PLATE, GUIDE CASSETTE	

7-1-4. MECHANISM DECK-2

**Note:** There are two types of drum assembly in the 777HF, 778HF models.

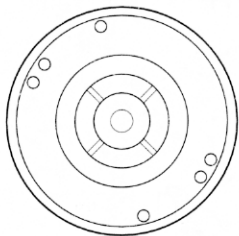
[Discrimination]

No. 768-770  
—Top View—



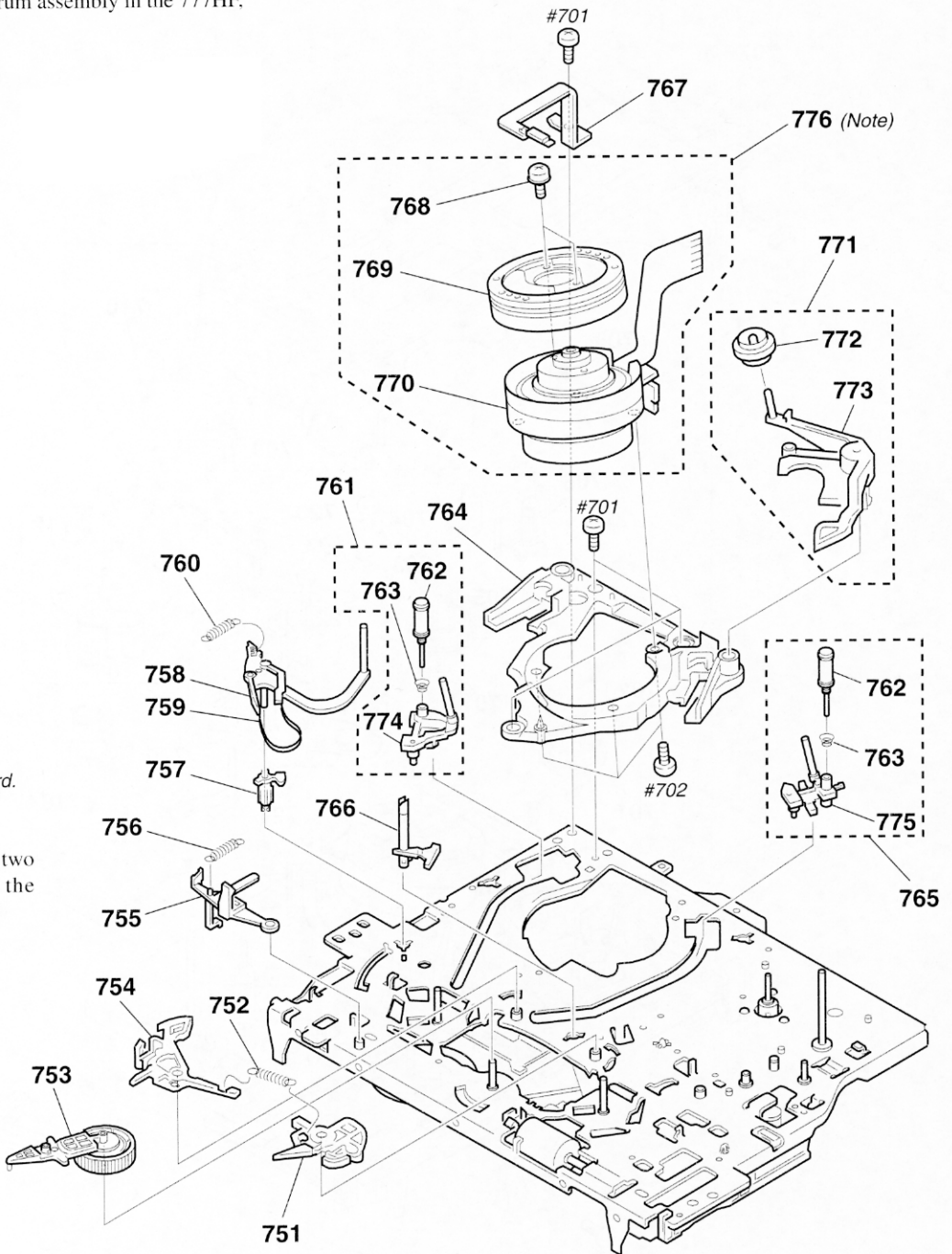
There are two printed circuit boards on the top.

No. 776  
—Top View—



There is no printed circuit board.

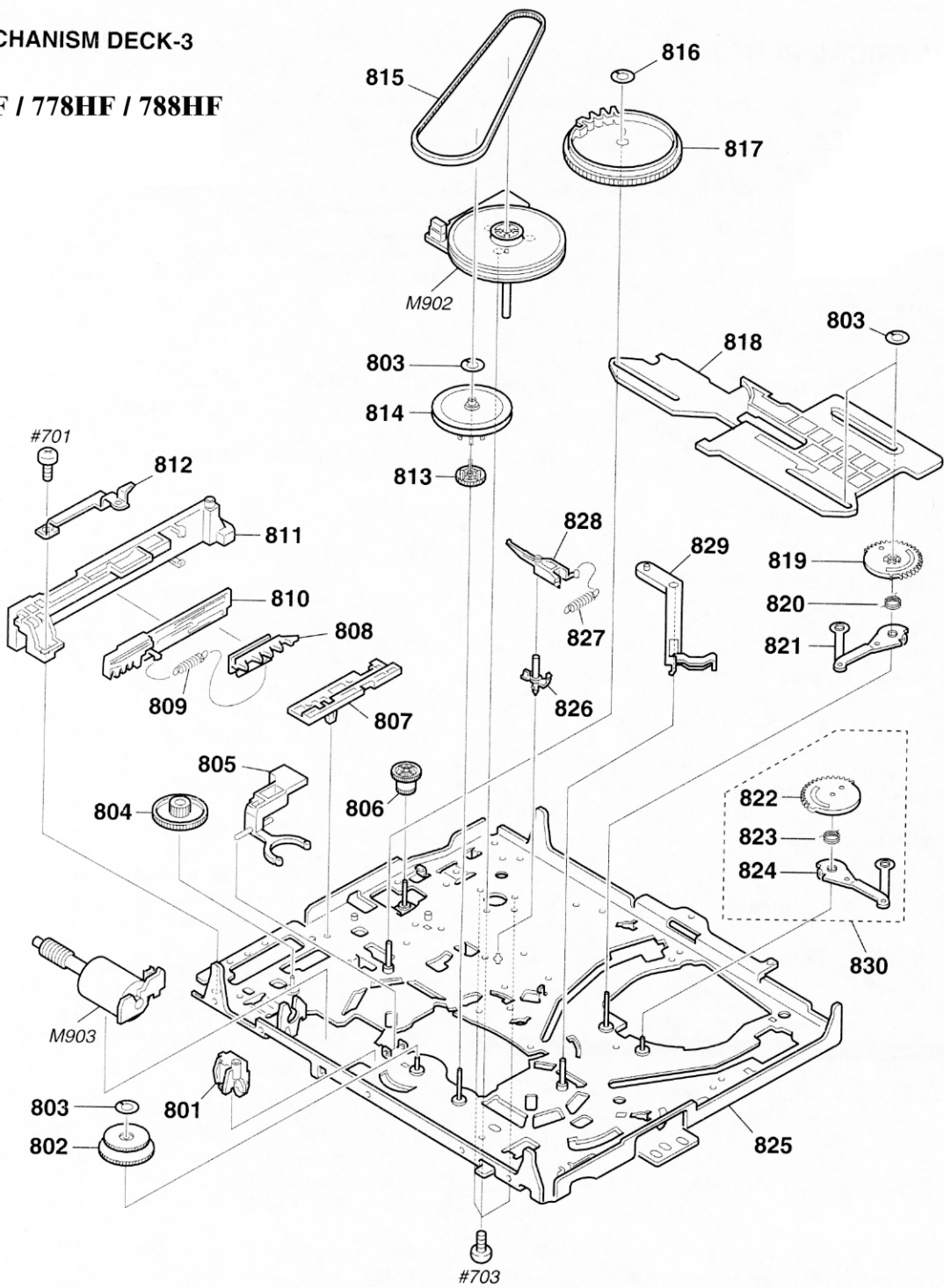
**Note:** It cannot be divided to two parts, the upper and the lower drum assemblies.



Ref. No.	Part No.	Description	Remarks	Ref. No.	Part No.	Description	Remarks
751	X-3947-581-1	BRAKE ASSY,MAIN(T)		765	A-6750-325-A	SHUTTLE (T) BLOCK ASSY	
752	3-977-462-01	SPRING,EXTENSION. (MAIN BRAKE)		766	3-977-501-01	PLATE, LUMINOUS	
753	X-3947-573-1	ARM ASSY, PENDULUM		767	X-3943-899-8	GROUND ASSY, SHAFT	
754	X-3947-580-2	BRAKE ASSY, MAIN(S)		768	2-643-205-01	SCREW	
755	3-977-513-02	LEVER, REC. PROOF		769	8-848-576-02	DRUM ASSY, UPPER DZR-45-R (777HF, 778HF) (Note)	
756	3-976-767-01	SPRING, TENS. (REC. PROOF)		770	8-848-666-11	DRUM ASSY, LOWER DZL-51B/J-RP (M901) (777HF, 778HF)	
757	3-977-487-01	BOSS, TG1 FULCRUM		771	A-6746-074-G	ROLLER BLOCK ASSY, HC	
758	X-3947-587-1	TG1 ASSY		772	X-3947-255-1	ROLLER ASSY, HC	
759	X-3947-589-1	BAND ASSY, TG1		773	3-975-724-07	ARM, HC	
760	3-977-488-01	SPRING (POWER TENSION)		774	X-3946-855-1	SHUTTLE (S) ASSY	
761	A-6750-324-A	SHUTTLE (S) BLOCK ASSY		775	X-3946-856-1	SHUTTLE (T) ASSY	
762	X-3944-378-1	ROLLER ASSY, GUIDE		776	8-839-044-02	DRUM ASSY DZH-94A/Z-RP (M901) (Note)	
763	3-965-178-01	SPRING					
764	3-969-632-04	BASE, DRUM					

7-1-5. MECHANISM DECK-3

SLV-777HF / 778HF / 788HF



Ref. No.	Part No.	Description	Remarks	Ref. No.	Part No.	Description	Remarks
801	3-977-437-01	RETAINER,CAM MOTOR		817	3-977-439-01	GEAR, CAM	
802	X-3947-584-1	ASSY, REEL DIRECT		818	3-977-442-01	SLIDER	
803	3-977-443-01	WASHER, STOPPER		819	3-977-455-01	GEAR, LOADING(T)	
804	3-977-438-01	WORM - WHEEL		820	3-977-456-03	SPRING, TORSION (LOAD T)	
805	3-977-506-01	ARM, LIMITTER SELECTION		821	X-3947-579-1	LEVER ASSY, LOADING(T)	
806	3-977-444-01	GEAR, PINCH TRANSMISSION		822	3-977-451-01	GEAR, LOADING(S)	
807	3-977-515-01	GUIDE, FL SLIDER		823	3-977-452-01	SPRING, TORSION (LOAD S)	
808	3-977-517-01	PLATE, SLIDE, FL		824	X-3947-578-1	LEVER ASSY, LOADING(S)	
809	3-977-519-01	SPRING, TENS. (LIMIT, FL)		825	X-3947-576-2	CHASSIS ASSY, MECHANICAL	
810	3-977-518-02	PLATE, LIMITTER, FL		826	3-977-468-01	SHAFT, CAPSTAN BRAKE	
811	3-977-516-01	HOLDER, FL SLIDER		827	3-977-467-02	SPRING, CAP BRAKE	
812	3-977-877-01	PLATE, RETAINER		828	X-3947-583-1	BRAKE ASSY, CAPSTAN	
813	3-977-504-01	GEAR, CLUTCH		829	3-977-489-01	ARM, TG1 DRIVING	
814	X-3947-585-1	GEAR ASSY, PULLEY		830	A-6759-616-A	GEAR BLOCK ASSY, LOADING	
815	3-977-510-01	BELT, RUBBER		M902	1-698-971-11	MOTOR, DC	
816	3-977-440-01	WASHER, STOPPER		M903	X-3947-577-1	MOTOR ASSY, CAM	