

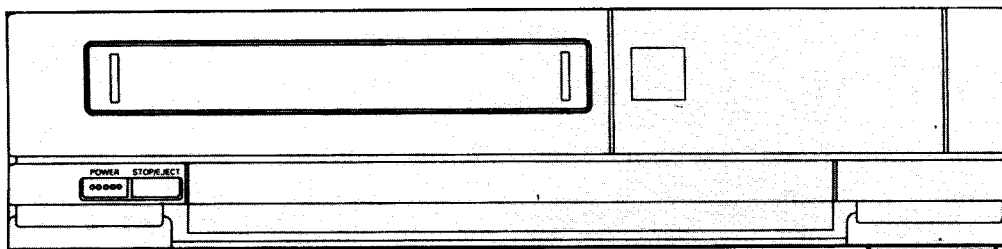
SERVICE MANUAL

SVM-N13-129-1E
68139-131-129

MODEL : VR3703/VR5703

VR5753

VIDEO CASSETTE RECORDER



SPECIFICATION

Format : VHS standard
Record/Playback System : 2 rotary head helical scanning system
 Luminance : FM azimuth recording
 Color : Converted subcarrier phase shift recording

Television System : NTSC-type color signal EIA STANDARD (525 lines, 60 fields)

Audio Track : 1 track
Tape Width : 12.7mm (1/2inch)
Tape Speed
 SP : 33.35mm/sec (1.31 inch/s)
 LP : 16.67mm/sec (0.66 inch/s)
 SLP : 11.12mm/sec (0.43 inch/s)

Record/Playback Time : 480 Min. with T-160 used in SLP mode
FF/REW Time : Less than 5 min. with T-120
High Speed Rewind : Less than 3 min. with T-120

Heads : Video : 2 rotary heads
 Audio/Control : 1 stationary head
 Erase : 1 full track erase
 1 audio track erase

VIDEO
Input : Video IN jack (RCA) 1.0Vp-p, 75 ohm unbalanced
Output : Video OUT jack (RCA) 1.0Vp-p, 75 ohm unbalanced
Signal-to-Noise Ratio : Better than 43 dB
Horizontal Resolution : Color/Monochrome : more than 220 lines

AUDIO

Input : Audio IN jack (RCA) -8dBm, 50K ohm unbalanced
Output : Audio OUT jack (RCA) -6dBm, 600 ohm unbalanced

Signal-to-Noise Ratio
 SP (LP, SLP) : Better than 42dB (40dB)

Frequency Response :
 SP : -6dB 100Hz ~ 8KHz
 LP : -6dB 100Hz ~ 6KHz
 SLP : -6dB 100Hz ~ 5KHz

TV Tuners (181CH) : VHF Input : CH2 ~ CH13
 UHF Input : CH14 ~ CH69
 Cable channels : 5A, A-5-A-1, A-1 J-W - 58, W - 59 - W - 84.
 VHF, UHF one input 75 ohm unbalanced Channel 3 or 4 66 dBu, 75 ohm unbalanced

RF Modulated :

Power Requirement : 120V AC, 60Hz
Power Consumption : Approx. 21 watts
 (When the Power is OFF, Approx 4 watts)

Operating Temperature : 41°F ~ 104°F (5°C ~ 40°C)
Operating Humidity : 10% ~ 75%
Weight : 9.0lbs. (4.1Kg)
Dimensions : 14.9(W)×3.52(H)×10.7(D) inch



ELECTRONICS

SERVICE MANUAL

MODEL : VR5753

VIDEO CASSETTE RECORDER

— S U M M A R Y —

Use this supplement together with Service Manual VR3703/5703 when servicing Model VR5753.

This supplement contains only those parts which are different from **VR3703/5703**. When ordering parts for model VR5753 refer to the supplemental parts list below.

File this supplement with the service manual VR3703/5703.
(Part No. 68139-131-129).

*67179-0118-00
TM401*

(Different Parts List)

LOCATION NO.	PARTS NO.	DESCRIPTION	Pages of S/M VR3703/5703
2	69000-301-441	ASSY PANEL FRONT	6-3
50	64043-0066-10	DOOR FRONT	6-3
55	64043-0067-12	DOOR HOUSING	6-3
-	69099-625-606	REMOCON ASS'Y	5-2
-	64709-1188-00	INSTRUCTION	5-12

7131

4. ELECTRICAL ADJUSTMENT

4-1. PREPARATION

Electrical adjustments are required after replacing circuit components and certain mechanical parts. It is important to perform these adjustment only after all repairs and replacements have been completed. Also, do not attempt these adjustments unless the proper equipment is available.

4-1-1. Required test equipment

1. Color television or monitor.
2. Oscilloscope : wide-band, dual-trace, triggered delayed sweep.
3. Frequency counter.
4. Audio oscillator.
5. Audio voltmeter.
6. Digital voltmeter.
7. Signal generator : RF/IF sweep marker.
8. Recording tape.
9. Alignment tapes : (Mono Scope ; 7KHz)
(Color Bar ; 1KHz)

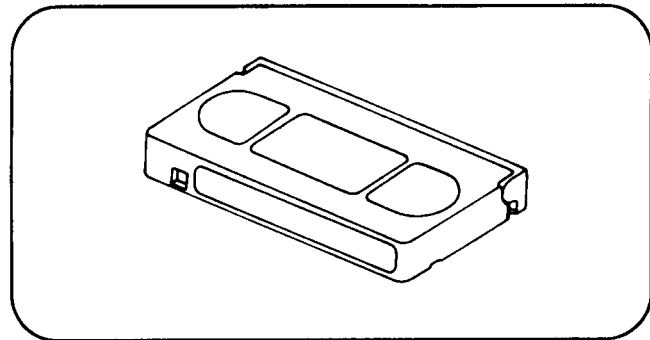


Fig. 1 Tape

10. Signal generator : NTSC Color bar/100% White.

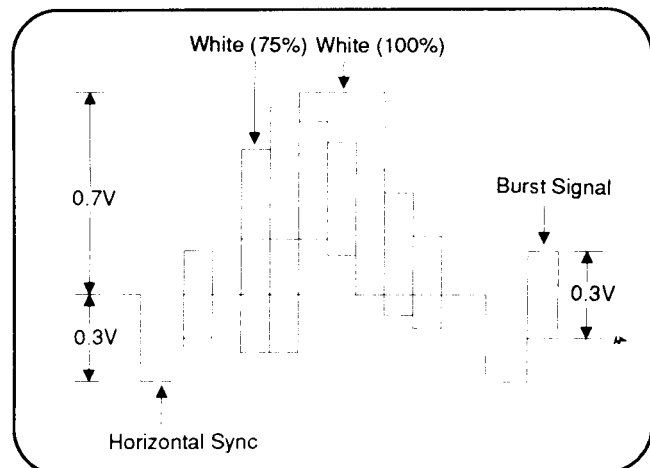


Fig. 2 Color bar signal of signal generator

(Color Bar Signal)

The 75% color bar signal recorded on the alignment tape is shown in Fig. 3.

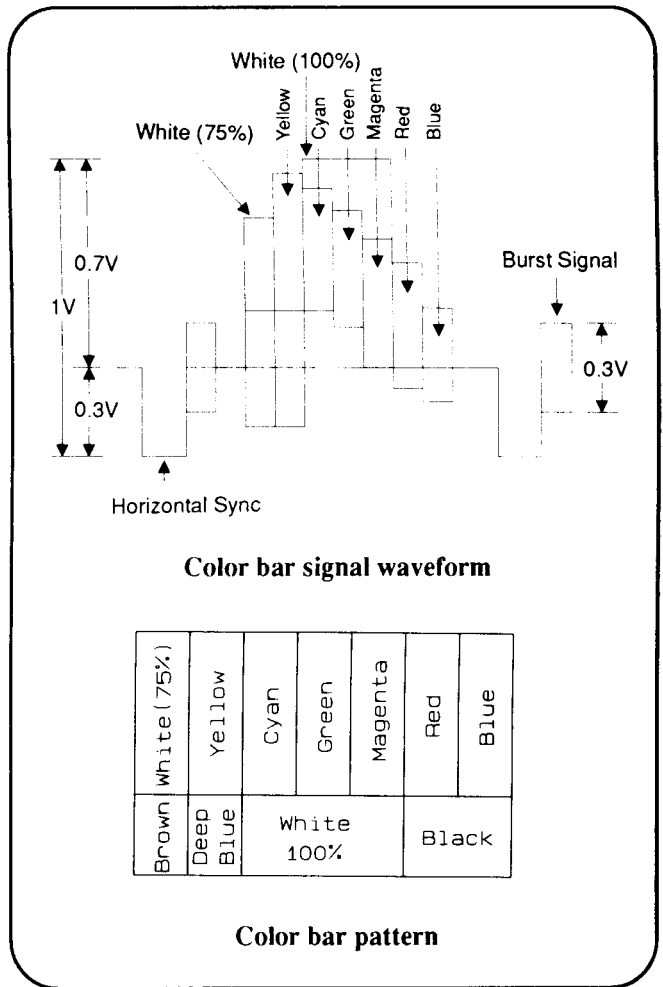
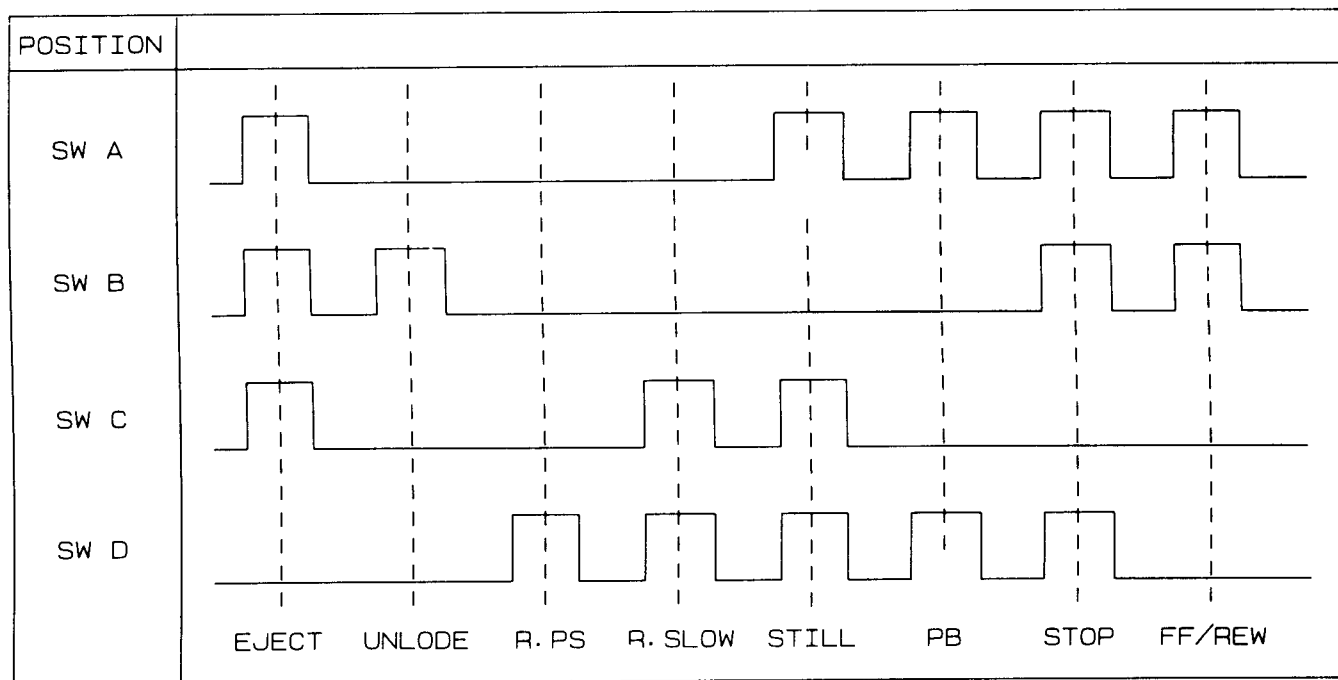


Fig. 3 Color bar signal of alignment tape

4-2. TIMING CHART OF PROGRAM S/W



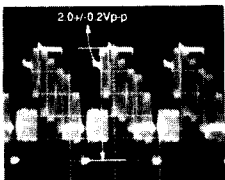
MODE (OPERATION CONDITION)	SWITCH POSITION	IC604			
		A	B	C	D
EJECT	EJECT	H	H	H	L
———	UNLOAD	L	H	L	L
R. PS	R. PS	L	L	L	H
———	R. SLOW	L	L	H	H
STILL. SLOW	STILL	H	L	H	H
PLAY. FPS. REC. PAUSE	PB	H	L	L	H
STOP. POWER OFF	STOP	H	H	L	H
FF/REW	FF/REW	H	H	L	L

*UNLOAD, R.SLOW : Position to be needed to perform mode.

4-3. SERVO, VIDEO AND AUDIO SECTION

5 VIDEO PB LUMA LEVEL

1. "PB", Alignment tape SR2-1.
 2. TP804 (VIDEO OUT) & VR301 (PB LEVEL).
 3. * Connect an oscilloscope CH-1 to TP804.
- * Adjust VR301 so that PB level becomes $2.0 \pm 0.2V_{p-p}$.



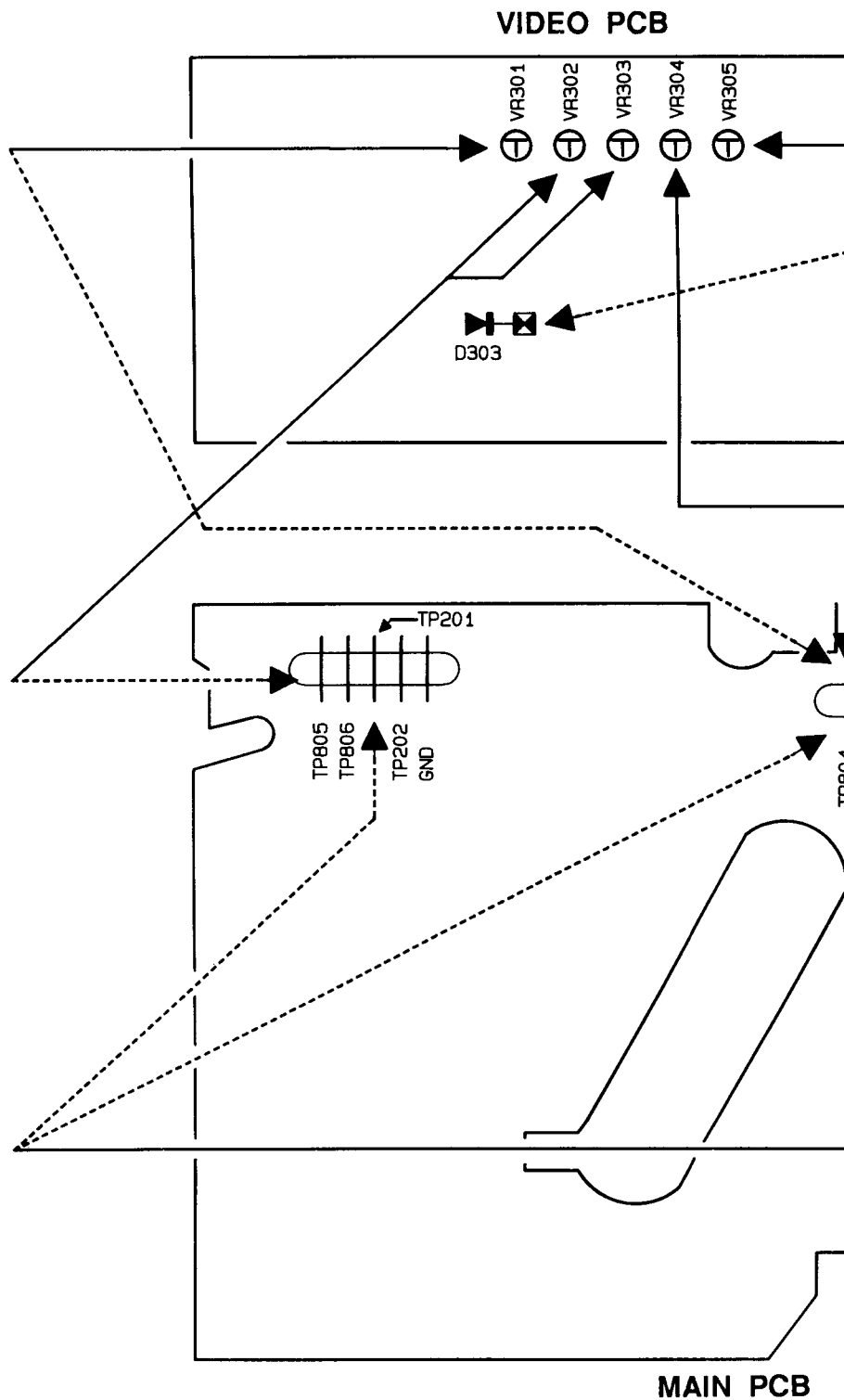
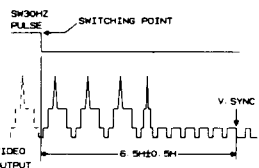
4 FM CARRIER & DEVIATION

1. "REC", no signal/100% white signal (V. IN jack on the rear panel).
 2. TP805 (FM C/D) & VR302 (FM CARRIER), VR303 (DEVIATION).
 3. * Push the input button on the remote control to receive LINE signal.
- * Connect a frequency counter probe to TP805.
 * With no signal inputted, adjust VR302 for the FM carrier to obtain 3.4 ± 0.02 MHz.
 * With 100% white signal inputted, adjust VR303 for the deviation to obtain 4.2 ± 0.02 MHz.

1 SWITCHING POINT

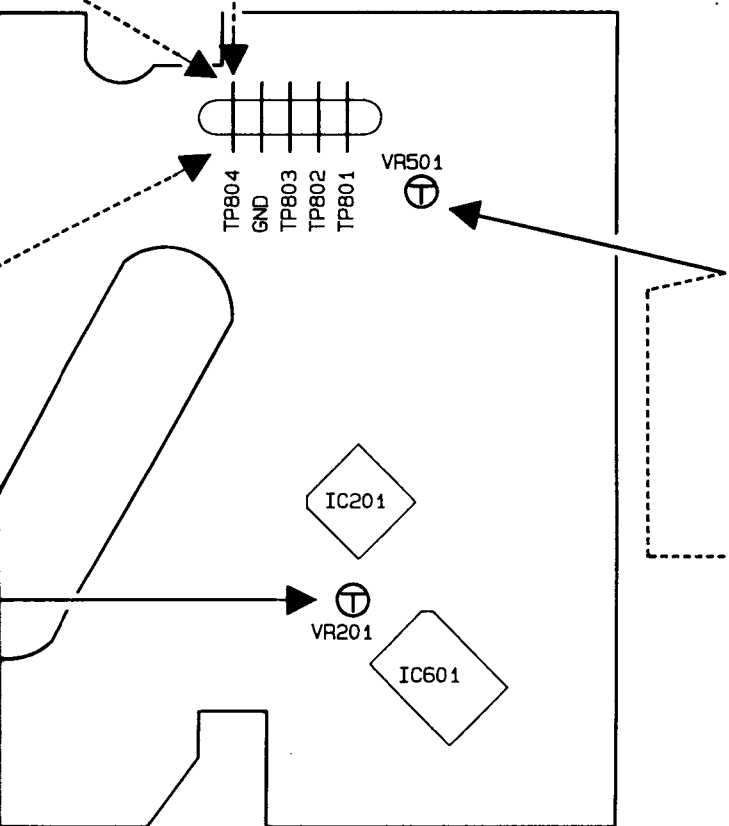
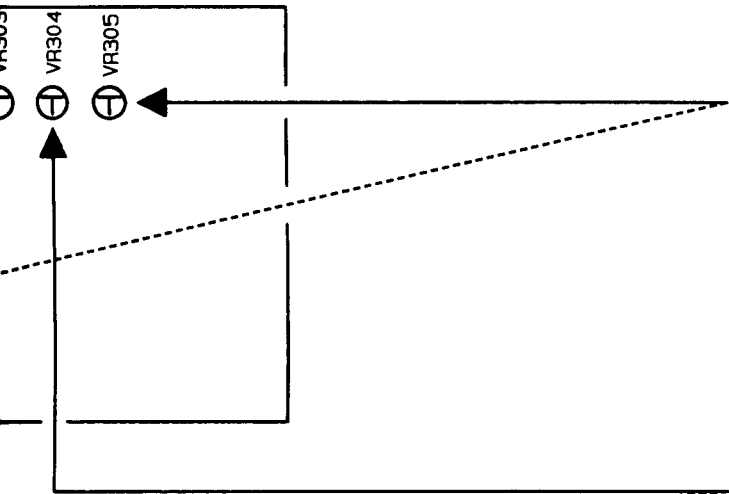
1. "PB", Alignment tape SR1-1.
2. TP201 (H'd SW P), TP804 (VIDEO OUT) & VR201 (SW POINT).
3. * Connect an oscilloscope's CH-1 to TP201 for triggering and CH-2 to TP804.

* Adjust VR201 so that the switching point is positioned 6.5 ± 0.5 H from the V-SYNC left edge as shown.



MAIN PCB

CB



MAIN PCB

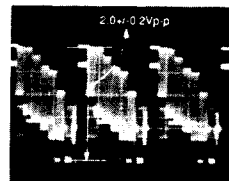
3 CCD COMB

1. "E-E" (stop mode), 2Vp-p color bar signal (V. IN jack on the rear panel).
2. D303 cathode & VR305
3. * Push the input button on the remote control to receive LINE signal.
 - * Connect CH-1 scope probe to D303 cathode and set the VCR to REC mode.
 - * Adjust the VR305 to make minimum color portion on the color bar signal.



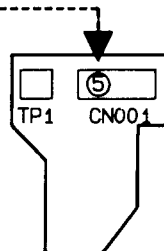
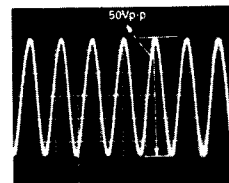
2 VIDEO E-E LEVEL

1. "E-E" (stop mode), 2Vp-p color bar signal (V. IN jack on the rear panel).
2. TP804 (VIDEO OUT) & VR304 (E-E LEVEL).
3. * Push the input button on the remote control to receive LINE signal.
 - * Connect an oscilloscope CH-1 to TP804.
 - * Adjust VR304 for $2.0 \pm 0.2V_{p-p}$ from sync tip to white peak level.



6 AUDIO BIAS LEVEL

1. "REC" , no signal input.
2. CN001 - 5 pin (A/C HEAD PCB) & VR501.
3. * Connect an oscilloscope CH-1 to the A/C HEAD PCB 5 pin of CN001.
 - * Adjust VR501 so that bias level becomes 50Vp-p.



A/C HEAD PCB

2-3. HOUSING ASS'Y REMOVAL & REASSEMBLY

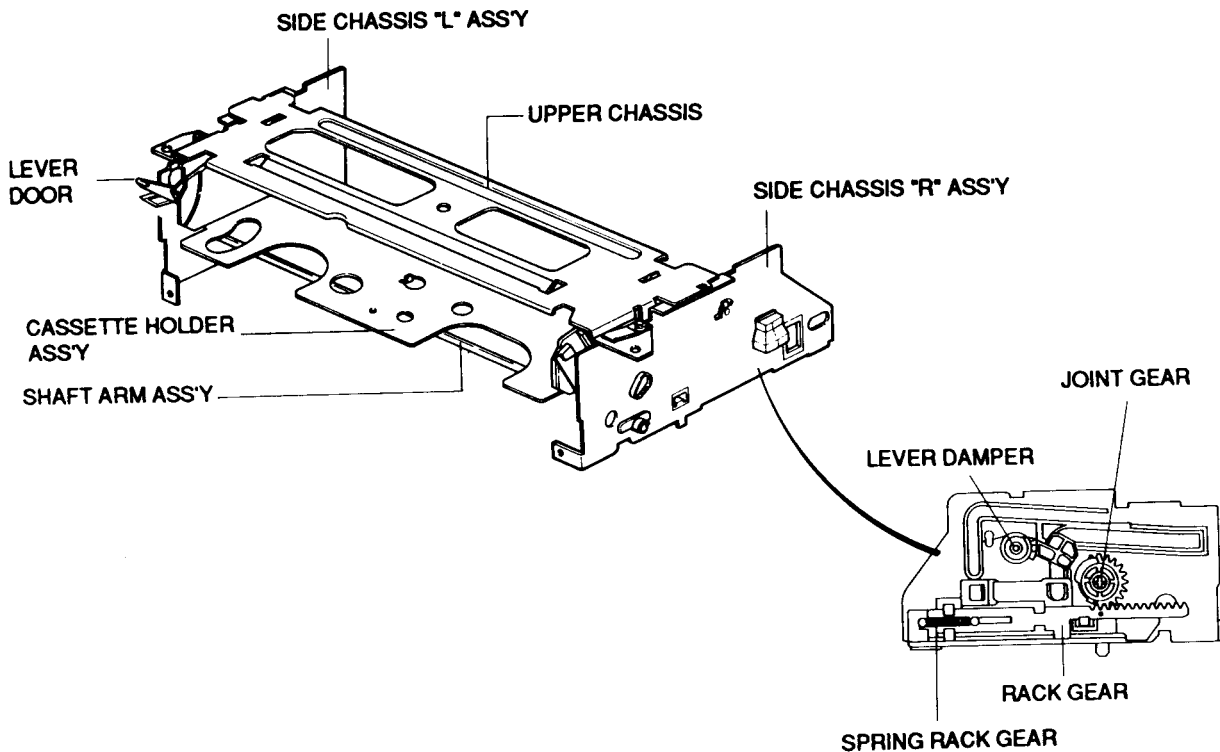


Fig. 10 Housing Ass'y Identification

2-3-1. Housing Ass'y Removal

1. Remove four (4) screws ①, ②.
2. Lift up the housing ass'y in the direction of arrow.

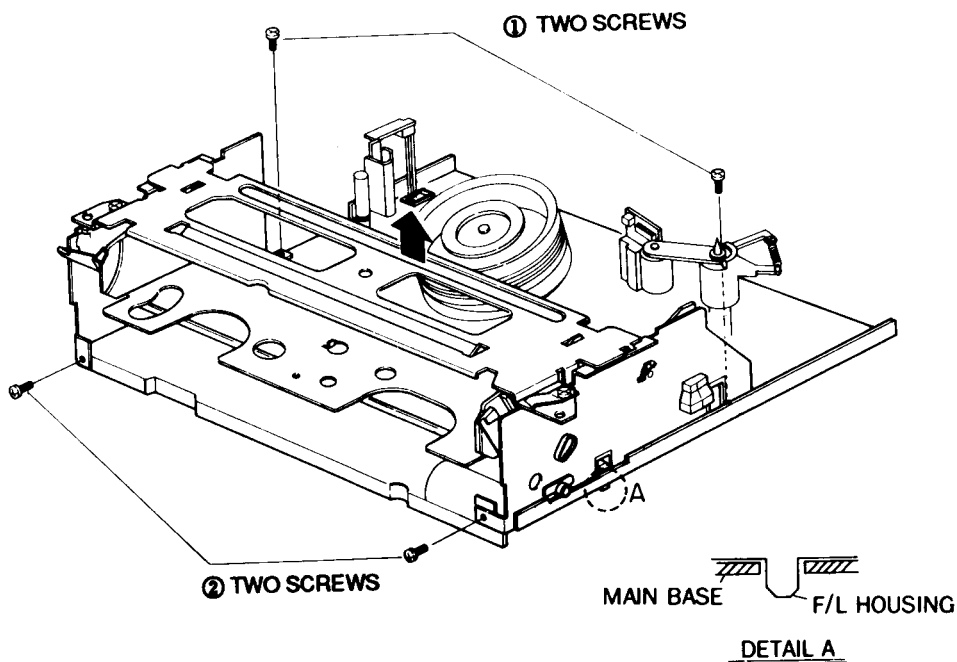


Fig. 11 Housing Ass'y Removal

2-3-2. Cassette Holder Ass'y & Side Chassis "L", "R" Removal

1. Remove two (2) screws ①.
2. Lift up the upper chassis ② and the cassette holder ass'y ③ in the direction of arrow (A).
3. Remove the side chassis "L", "R" ④, ⑤ from the shaft arm ass'y in the direction of arrows (B).

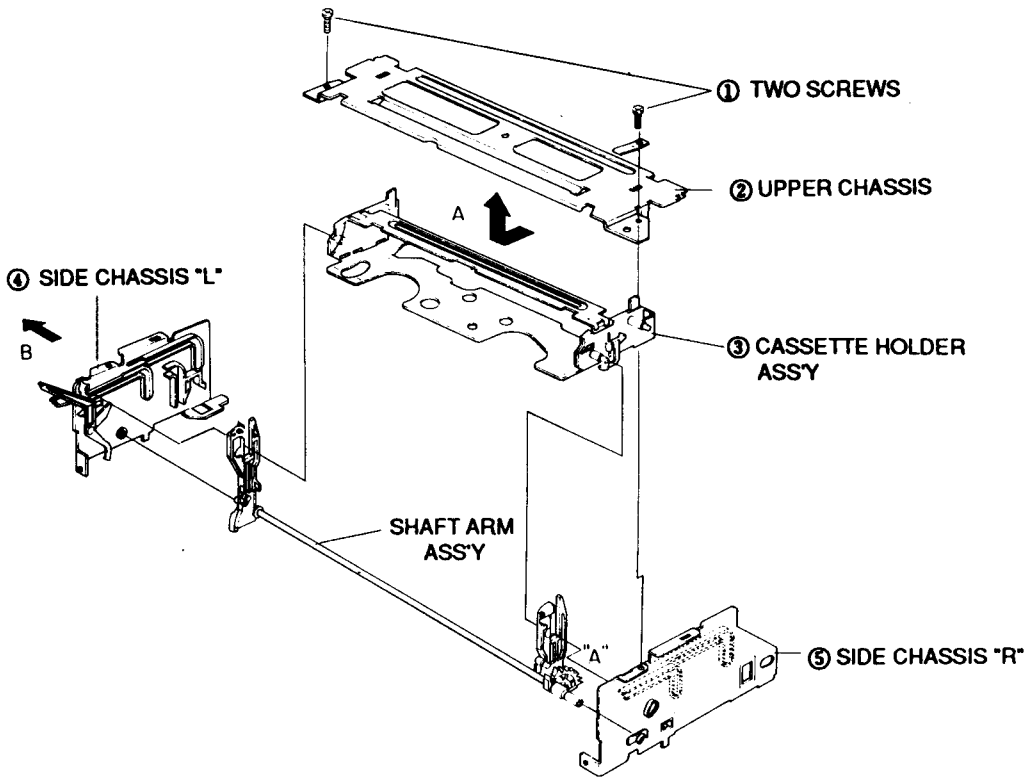


Fig. 12 Cassette Holder Ass'y & Side Chassis "L", "R" Removal

2-3-3. Joint Gear & Rack Gear Removal

1. Pull the rack gear ① in the direction of arrow (A) to the end.
2. Remove one screw ② and then the joint gear ③.
3. Remove the rack gear ① toward arrow (B).

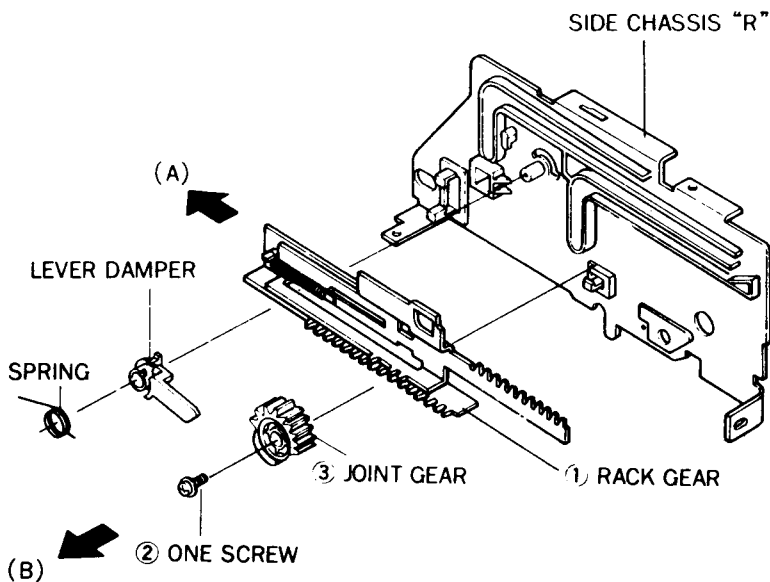


Fig. 13 Joint Gear & Rack Gear Removal

2-3-4. Reinstallation of Rack Gear and Joint Gear

Reinstallation and Timing of Rack Gear and Joint Gear

1. Assemble the rack gear ① to the side chassis "R".
2. Pull the rack gear ① in the direction of arrow to the end.
3. Install the joint gear so that the slot #1 of joint gear ② is aligned with the tooth #1 of rack gear ①.
4. Tighten one (1) screw with the joint gear.

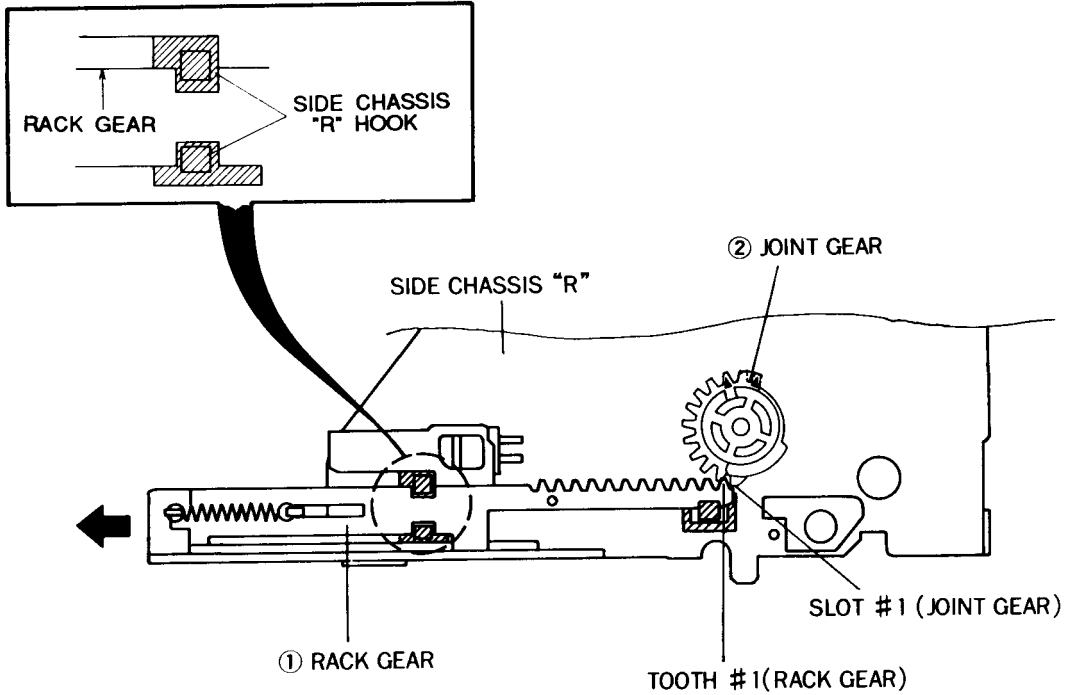


Fig. 14 Reinstallation and Timing of Rack Gear and Joint Gear

Timing Confirmation of Rack Gear and Joint Gear (Eject mode)

1. Push the rack gear ① in the direction of arrow to the end.
2. Make sure that the tooth #12 of joint gear ② and the Timing Point of rack gear ① are aligned correctly as shown in Fig. 15.

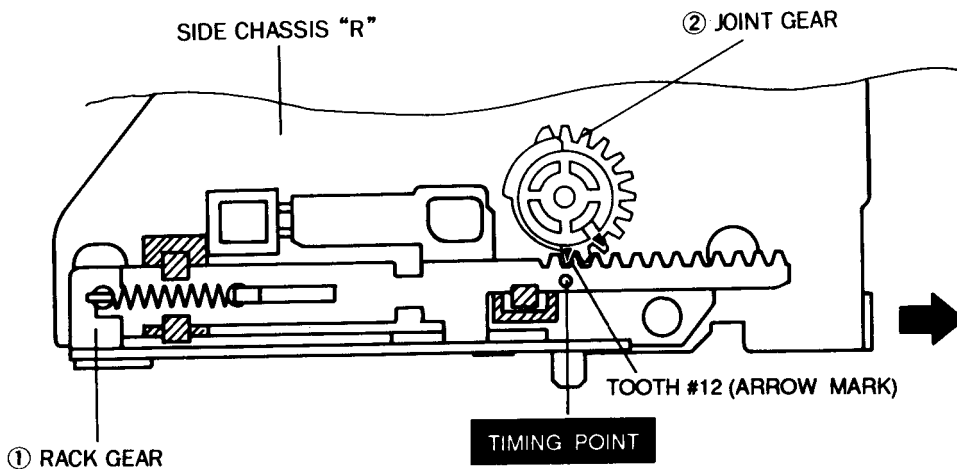


Fig. 15 Timing Confirmation of Rack Gear and Joint Gear

2-3-5. Reassembly of Housing Ass'y

1. After pushing the rack gear in direction of arrow to the end, insert the pin of the arm gear into the hole of side chassis "R".
2. Align the slot #1 (arrow mark) of the arm gear ① with the tooth #3 of the joint gear ②.
3. Install the side chassis "L" so that the shaft arm pin goes into the hole in the side chassis "L".
4. Turn the shaft arm to up-position and drop the cassette holder into the arm grooves.
5. Install the upper chassis and secure with two (2) screws.

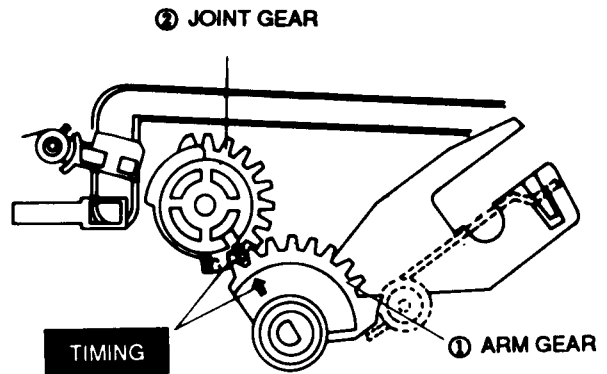


Fig. 16 Reassembly Joint Gear & Arm Gear

2-3-6. Reinstallation of Housing Ass'y & Deck Ass'y

NOTE : Make sure deck is in the eject position.

1. Assemble the housing ass'y while pushing the rack gear forward to align the slot #1 of gear eject drive ② and the tooth #1 of rack gear ①. (Refer to Detail A)

2. Install the housing ass'y and then tighten four (4) screws (See Fig. 11)

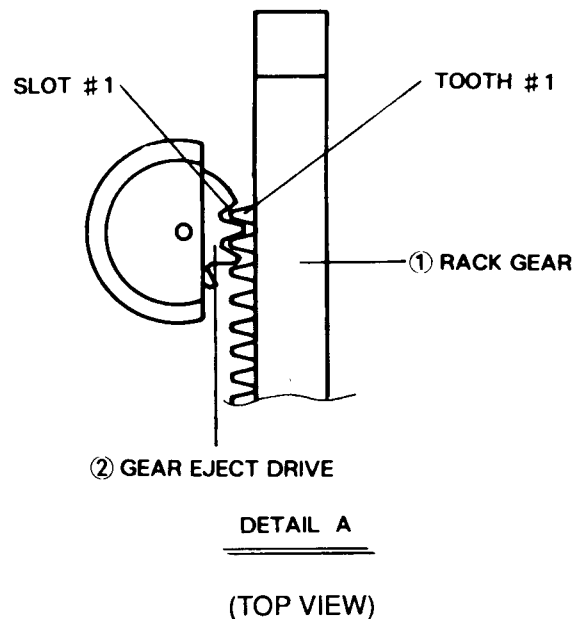
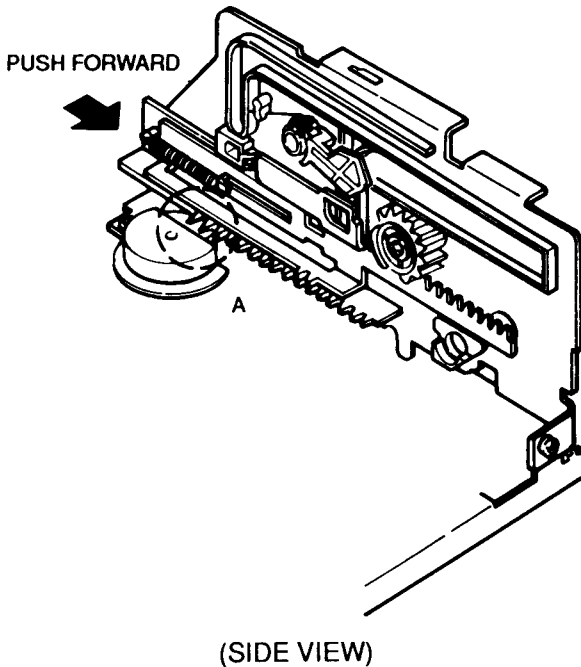


Fig. 17 Reinstallation of Housing Ass'y

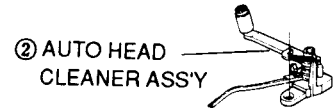
2-4. CYLINDER ASS'Y REMOVAL & REASSEMBLY

2-4-1. Auto Head Cleaner Ass'y Removal (Optional)

1. Remove one (1) screw ① holding the main base auto head cleaner ass'y ②.

NOTE : Take care not to touch substance, such as oil, grease, etc., on auto head cleaner.

① ONE SCREW



2-4-2. Cylinder Ass'y Removal from Main Base

1. Release the F.P.C cable ① from video PCB (CN304) and disconnect the lead connector ass'y ② from the cylinder PCB.
2. Remove three (3) screws ③ securing the base cylinder and the main base.
3. Lift the cylinder ass'y ④ in the direction of arrow.

CAUTION : Take extreme care when removing the cylinder ass'y. Do not touch the video head tips during servicing.

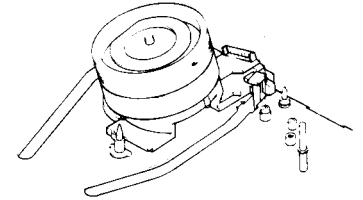


Fig. 18 Auto Head Cleaner (Optional)

2-4-3. Exploded View of Cylinder Ass'y

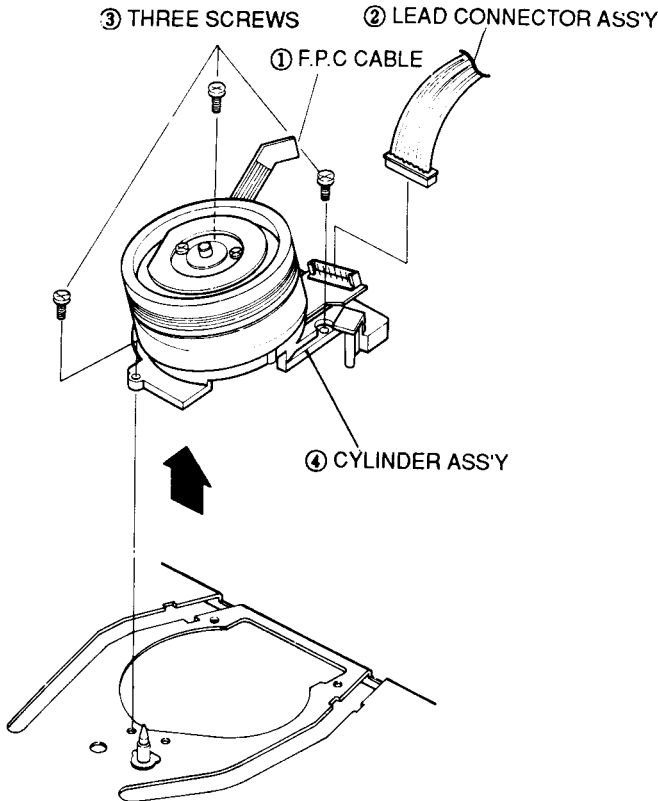


Fig. 19 Cylinder Ass'y Removal

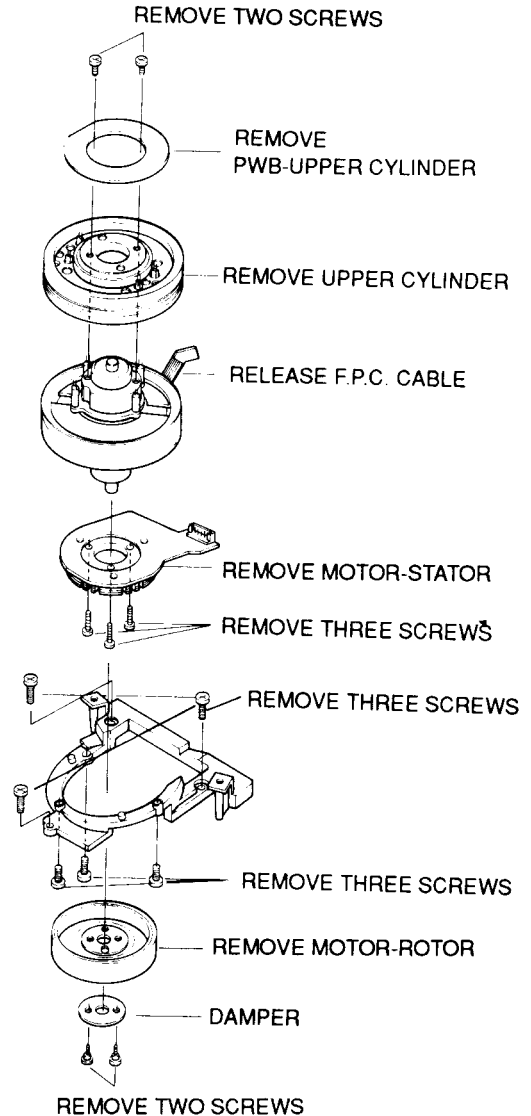


Fig. 20 Exploded View of Cylinder Ass'y

2-4-4. Upper Cylinder Ass'y Removal

1. Remove two (2) screws ① from the upper cylinder ass'y ③.
2. Unsolder the PWB-UPPER cylinder ② from the upper cylinder ass'y ③ and remove the upper cylinder ass'y ③ from the cylinder ass'y. (See Fig. 23)

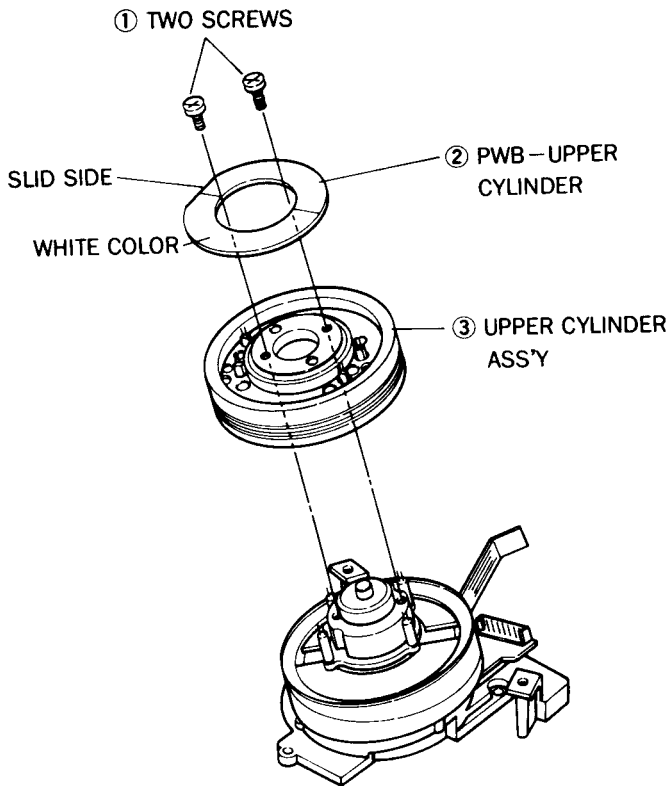


Fig. 21 Upper Cylinder Ass'y Removal

2-4-5. Lower Cylinder Ass'y Removal

1. Remove three (3) screws ① from the base cylinder ②.
2. Lift up the lower cylinder ass'y ③ from the base cylinder ②.

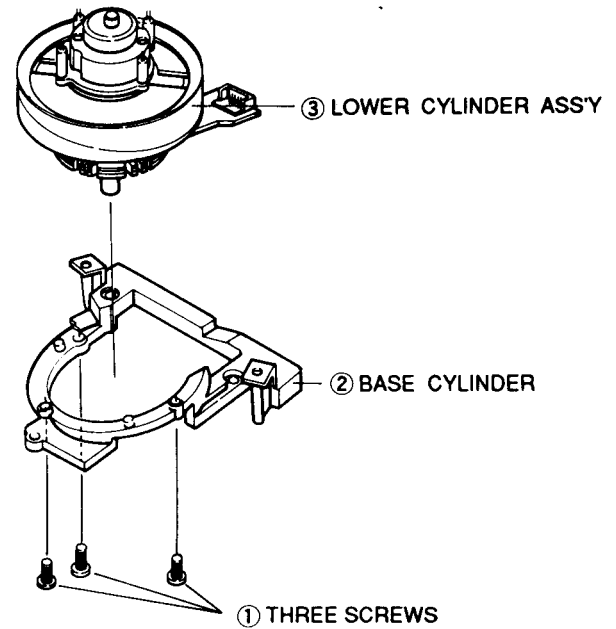
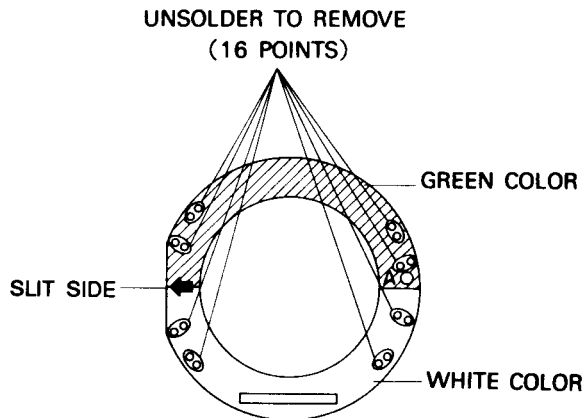
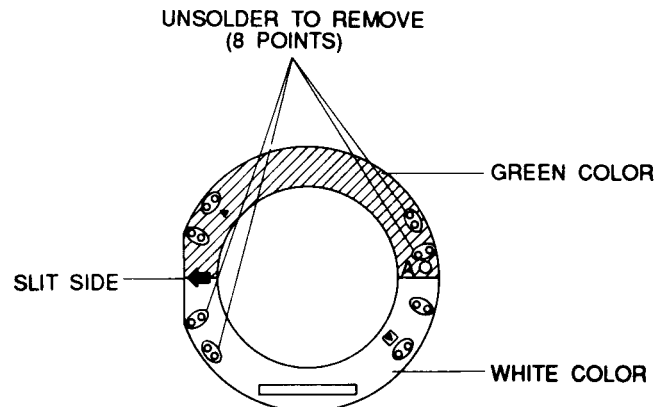


Fig. 22 Lower Cylinder Ass'y Removal



VR5703



VR3703

Fig. 23 PWB Upper Cylinder Top View

2-4-6. Cylinder Motor Removal

1. Remove three (3) screws ① from the base cylinder ②.
2. Remove two (2) screws ③ from the damper ④, then remove the damper ④ and the motor-rotor ⑤.
3. Remove three (3) screws ⑥ from the motor-stator ⑦ and take it out.

NOTE : Mark rotor position to insure correct phase orientation upon reinstallation.

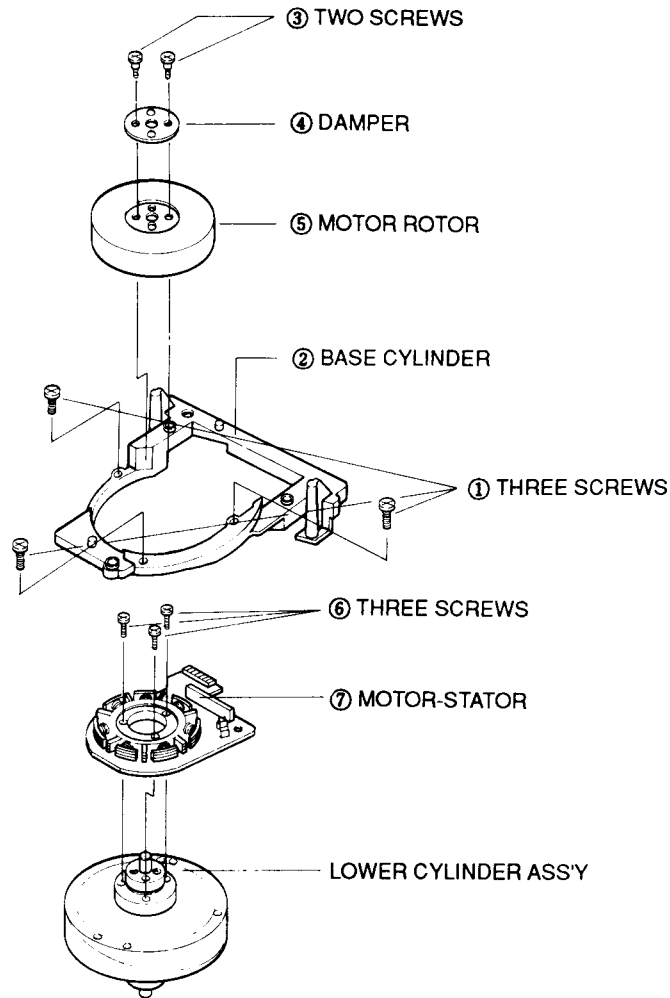


Fig. 24 Cylinder Motor Removal

2-4-7. Assembly of Lower Cylinder

1. Tighten three (3) screws with the motor-stator. (Refer to Fig. 24)
2. Reinstall the motor-rotor, damper and secure with two (2) screws. (Refer to Fig. 24)

NOTE : Make sure that the hole of bush cylinder on lower cylinder and the hole of motor rotor are aligned correctly as shown in Fig. 25.

3. Reinstall the lower cylinder to the base cylinder and secure with three (3) screws.

NOTE : Align two (2) base cylinder pin before reinstalling.

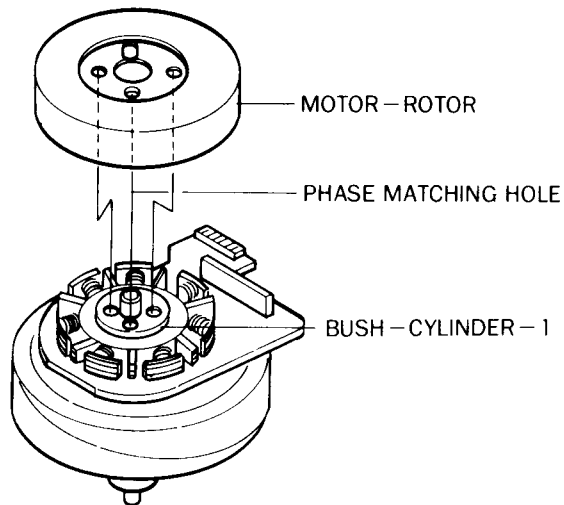
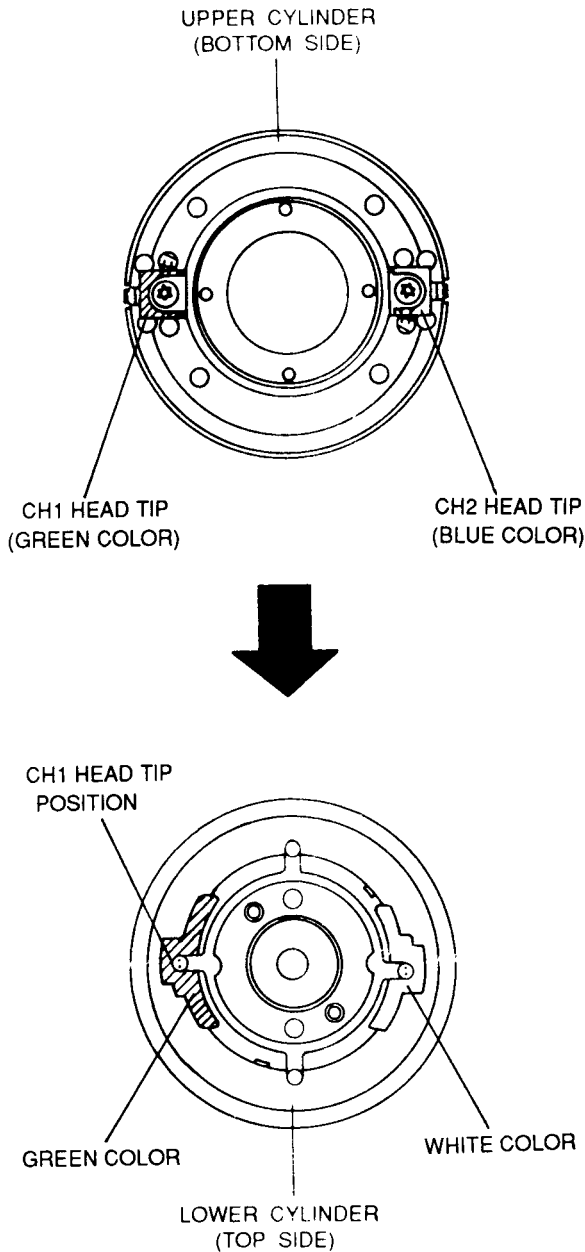


Fig. 25 Bush Cylinder -1 & Motor Rotor Timing

2-4-8. Assembly of Upper Cylinder

1. When installing the upper cylinder, make sure green color (CH1) goes to CH1 head tip position on lower cylinder.
2. Tighten two (2) screws on the upper cylinder.
(Refer to Fig. 21)

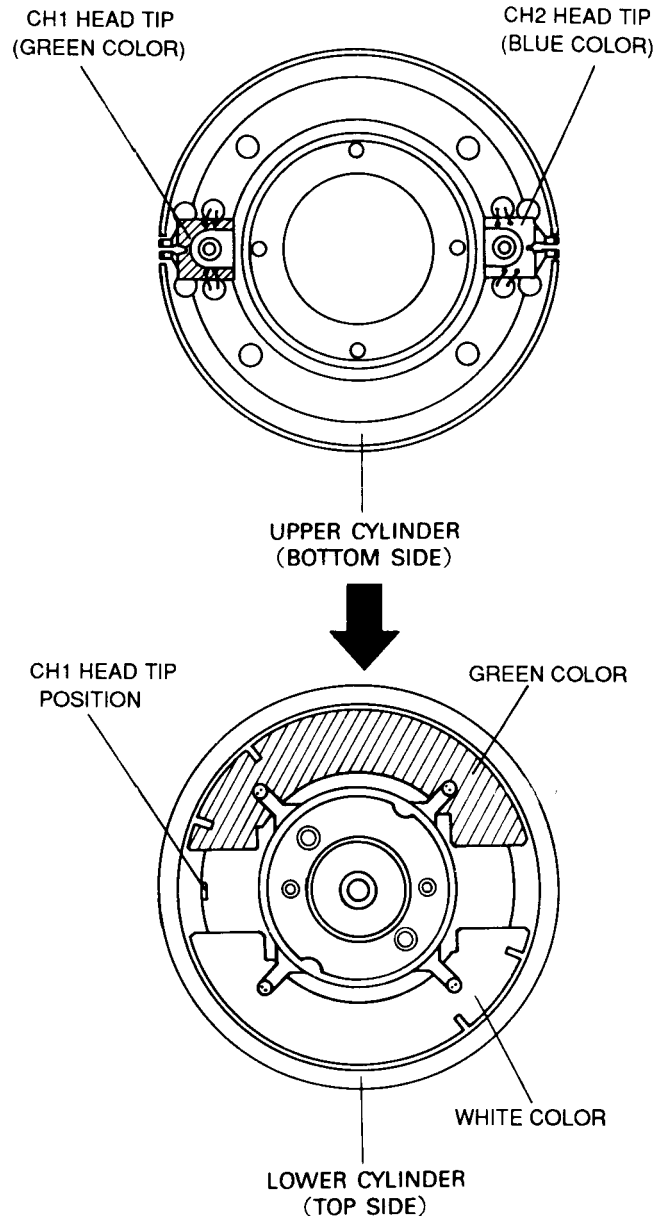
NOTE : Timing of the upper cylinder PCB.



VR3703

2-4-9. Assembly of Cylinder Ass'y

1. Reinstall cylinder ass'y on the main base.
2. Tighten three (3) screws securing the base cylinder and the main base.
3. Reconnect F.P.C cable to the video PCB and the lead connector ass'y to the bottom cylinder PCB.



VR5703

Fig. 26 Upper Cylinder Ass'y Timing

2-5. REEL DISK ASS'Y REMOVAL

2-5-1. Brake Sub "L" Removal

1. Remove the spring brake sub "L" ①.
2. Lift up the brake sub "L" ② while pushing the clip brake sub "L" ③ in the direction of arrow.

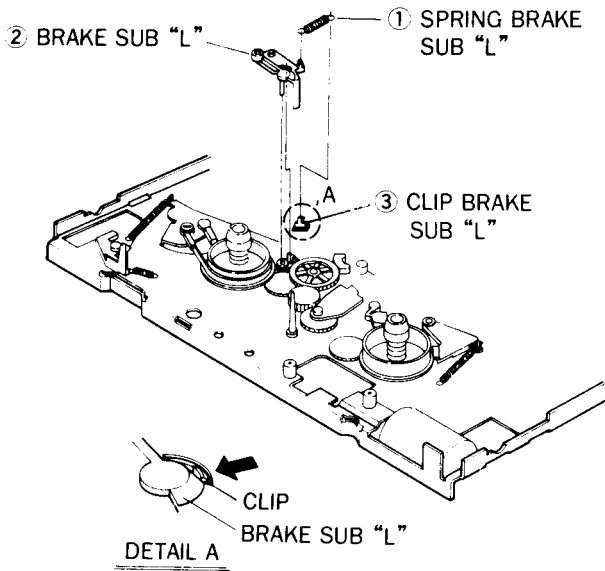


Fig. 27 Brake Sub "L" Removal

2-5-2. Gear Relay S2 & S1 Removal

1. Remove the washer slits ①.
2. Lift up the gear relay S2 ② and S1 ③.

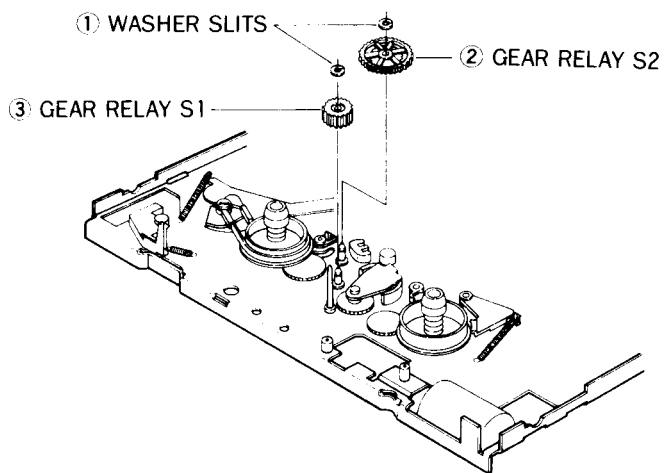


Fig. 28 Gear Relay S2 & S1 Removal

2-5-3. Full Arm Tension Ass'y Removal

1. Take off the spring tension ①.
2. Push the pin arm tension ② releasing the clip in the direction of arrow (Bottom View).
3. Lift up the full arm tension ass'y ③.

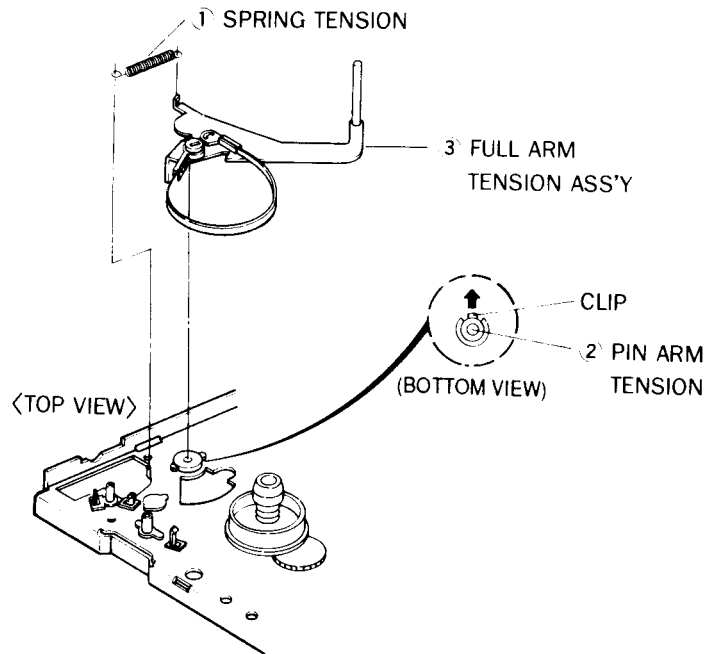


Fig. 29 Full Arm Tension Ass'y Removal

2-5-4. Reel Disk "L" Ass'y & Gear Relay S3 Removal

1. Remove the washer slit (A) ①.
2. Lift up the reel disk "L" ass'y ② and the washer plain ③.
3. Remove the washer slit (B) ④.
4. Lift up the gear relay S3 ⑤.

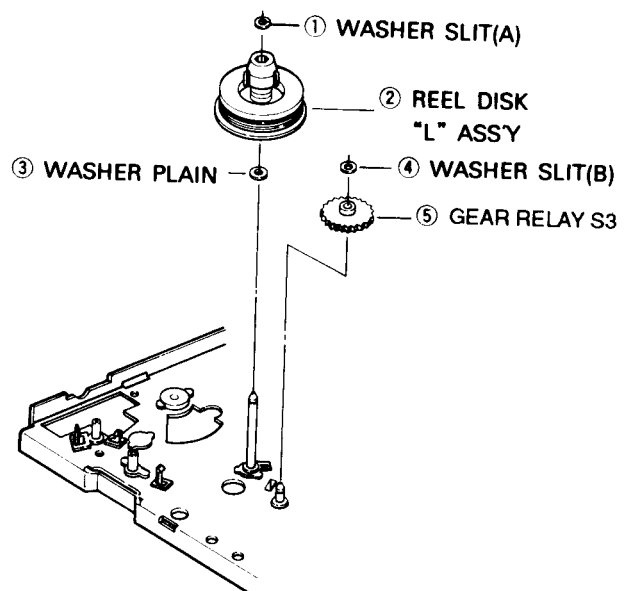


Fig. 30 Reel Disk "L" Ass'y & Gear Relay S3 Removal

2-5-5. Brake Sub "R" Ass'y Removal

1. Remove the spring brake sub "R" ①.
2. Lift up the brake sub "R" ass'y ② while pushing the clip brake sub "R" ③ in the direction of arrow.

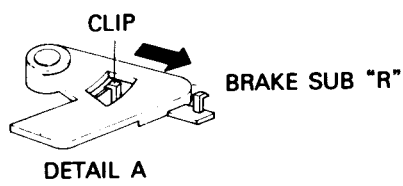
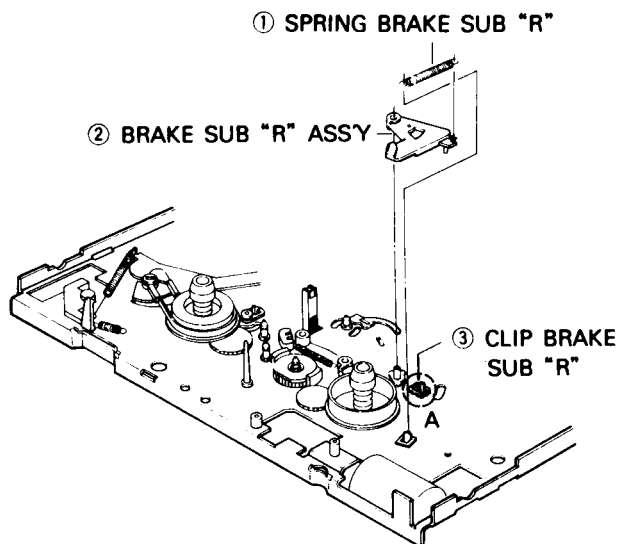


Fig. 31 Brake Sub "R" Ass'y Removal

2-5-6. Brake Main "L" & "R" Ass'y Removal (Fig. 32)

1. Remove the spring brake main ①.
2. Lift up the brake main "L" ass'y ② while pushing the clip in the direction of arrow (A). (Detail A)
3. Lift up the brake main "R" ass'y ③ while pushing the clip in the direction of arrow (B). (Detail B)

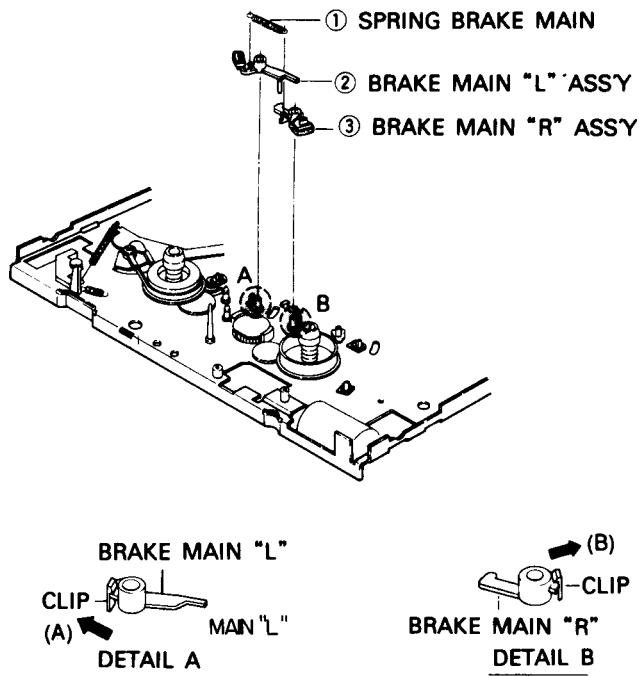


Fig. 32 Brake Main "L" & "R" Ass'y Removal

2-5-7. Reel Disk "R" Ass'y & Gear Relay "T" Removal (Fig. 33)

1. Remove the washer slit (A) ①.
2. Lift up the reel disk "R" ass'y ②.
3. Lift up the washer plain ③.
4. Remove the washer slit (B) ④.
5. Lift up the Gear Relay "T" ⑤.

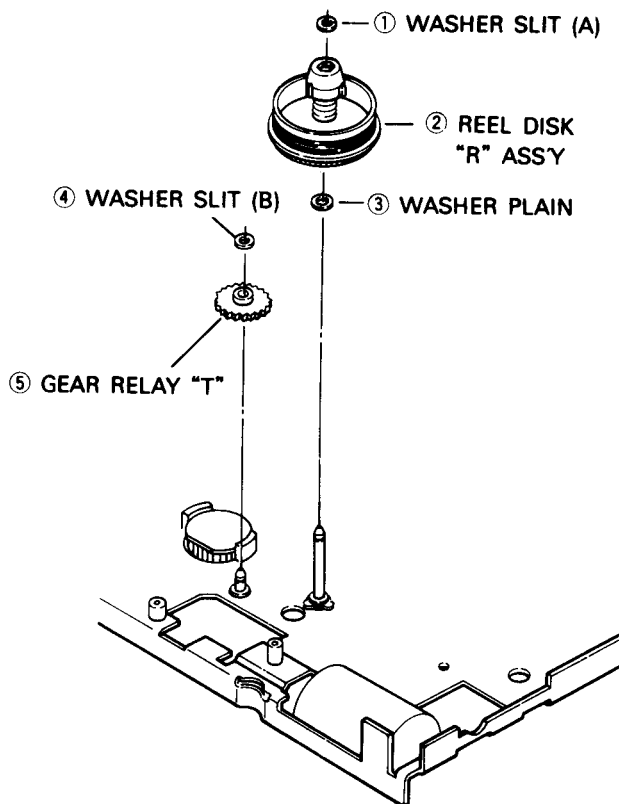


Fig. 33 Reel Disk "R" Ass'y & Gear Relay "T" Removal

2-5-8. Idler Sub Ass'y Removal

1. Remove the washer slit ①.
2. Lift up the idler sub ass'y ②.

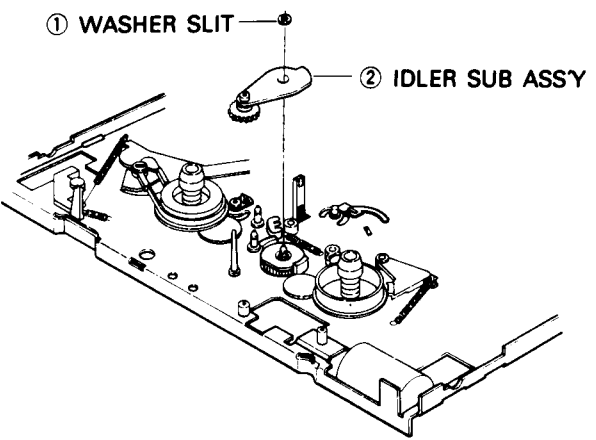


Fig. 34 Idler Sub Ass'y Removal

2-5-9. Lever REC S/W Removal

1. Remove the spring record S/W ①.
2. Lift up the lever record S/W ② while pushing the clip in the direction of arrow.

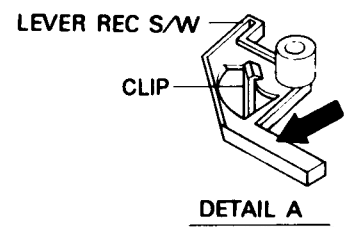
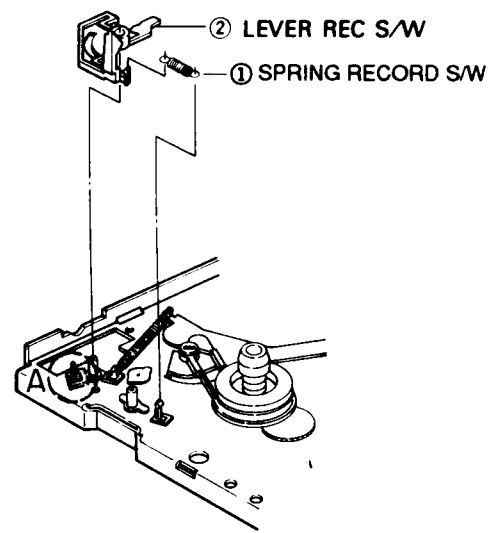


Fig. 35 Lever REC S/W Removal

2-6. LOADING & CAPSTAN MOTOR ASS'Y REMOVAL & REASSEMBLY

2-6-1. Belt Capstan Removal

1. Remove the belt capstan ①.

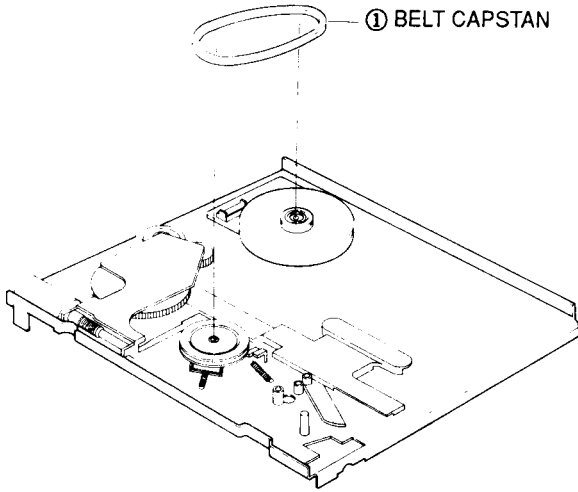


Fig. 36 Belt Capstan Removal

2-6-2. Motor D/D Capstan Removal

1. Remove three (3) screws ①. (Top View)
2. Lift up the motor D/D capstan ②. (Bottom View)

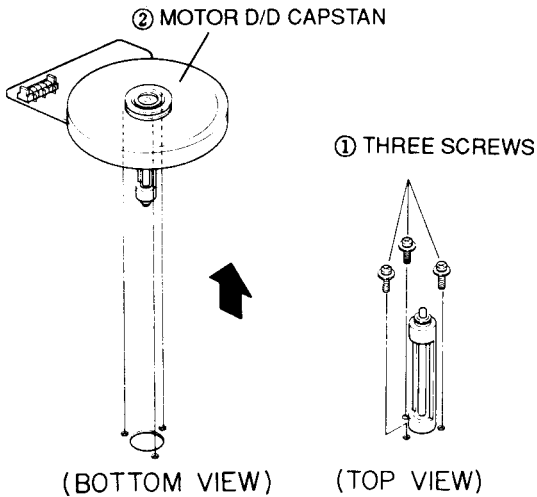


Fig. 37 Motor D/D Capstan Removal

2-6-3. Clutch Ass'y Removal

1. Remove the washer slit ①.
2. Lift up the clutch ass'y ②.
3. Remove the washer plain ③.

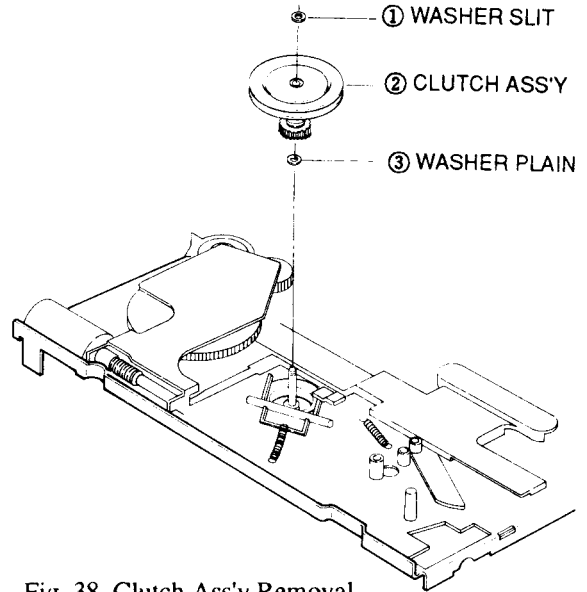


Fig. 38 Clutch Ass'y Removal

2-6-4. L/D Unit Ass'y & Gear Eject Drive Removal

1. Remove three (3) screws ① holding the loading unit ass'y ②.
2. Lift up the loading unit ass'y ②.
3. Lift up the gear eject drive ③.

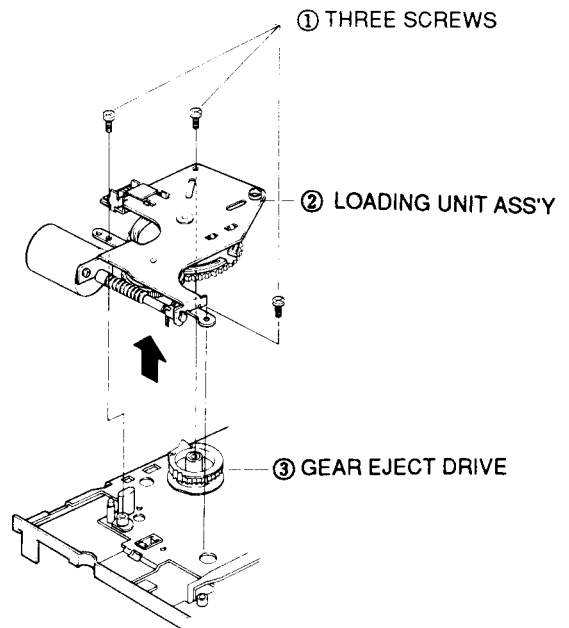


Fig. 39 L/D Unit Ass'y & Gear Eject Drive Removal

2-6-5. Slide Main Removal

1. Remove the screw ① and washer plain ② and washer slit ③.
2. Release the clip ④ holding the slide main ⑤ and then lift up the slide main ⑤.

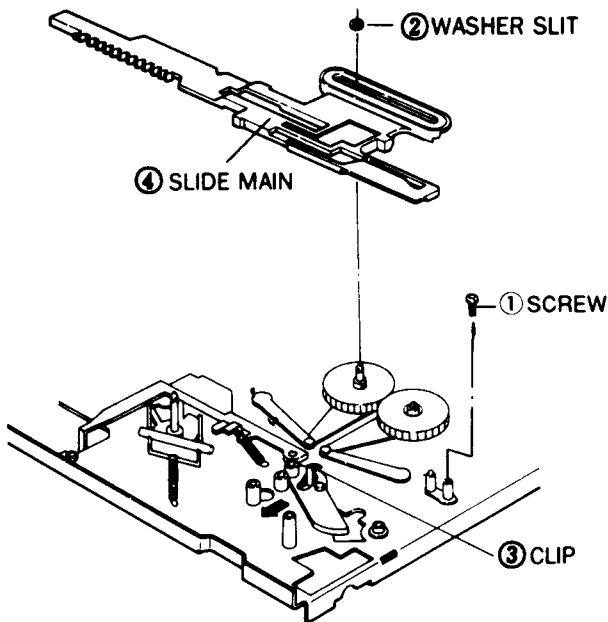


Fig. 40 Slide Main Removal

2-6-6. Brake D/D Capstan Ass'y Removal

1. Remove the spring brake capstan ①.
2. Turn the brake D/D capstan ass'y ② clockwise completely and then lift it up.

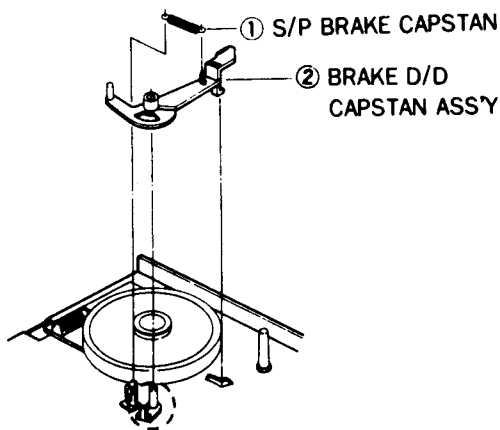
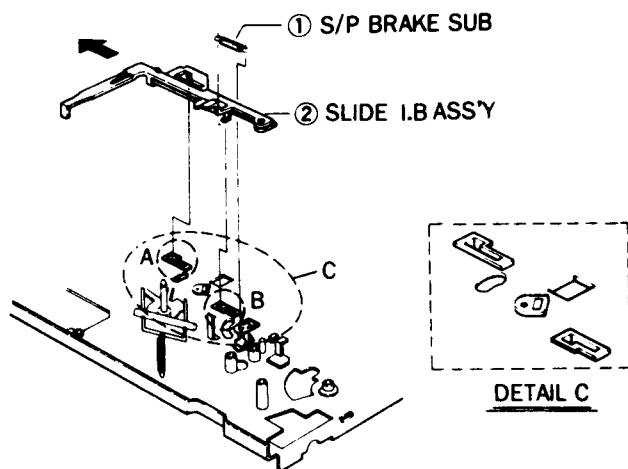


Fig. 41 Brake D/D Capstan Ass'y Removal

2-6-7. Slide I.B Ass'y Removal

1. Remove the spring brake sub ①.
2. Lift up the slide I.B ass'y ② while pushing the slide I.B ass'y ② to the end of the slot in the direction of arrow.



NOTE : These two slots are the reason why you must push I.B ass'y in the direction of arrow.

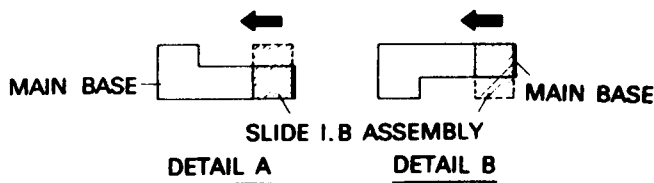


Fig. 42 Slide I.B Ass'y Removal

2-6-8. Lever Shift Removal

1. Remove the spring lever shift ①.
2. Lift up the lever shift ②.

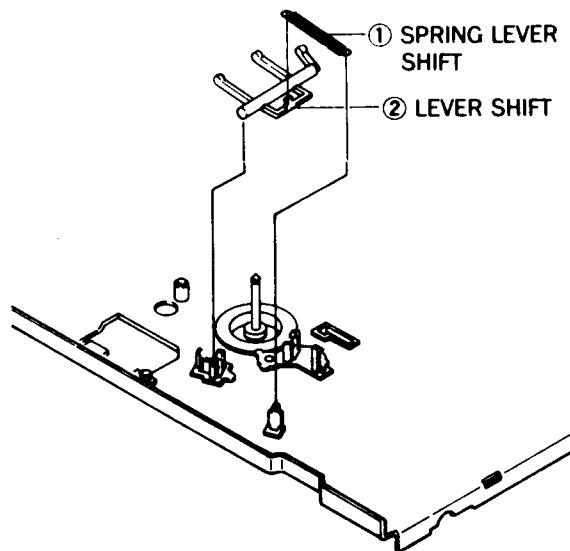


Fig. 43 Lever Shift Removal

2-6-9. Lever Tension Control Removal

1. Lift up the lever tension control ①.

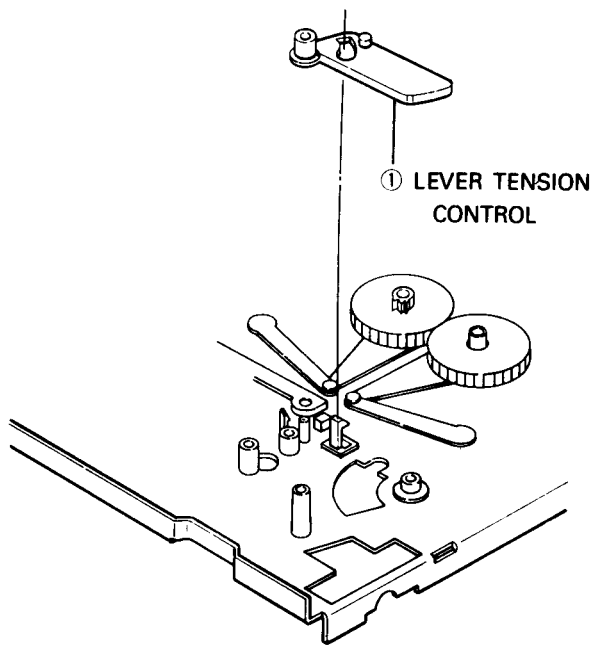


Fig. 44 Lever Tension Control Removal

2-6-10. Gear Loading "L", "R" Ass'y Removal

1. Lift up the gear loading "R" ass'y ①.
2. Lift up the gear loading "L" ass'y ③ while pushing the gear loading "L" clip ② in the direction of arrow.

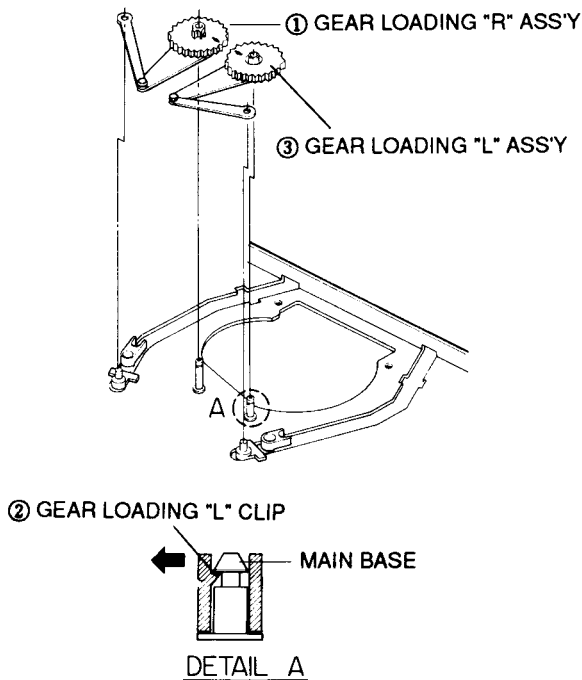


Fig. 45 Gear Loading "L", "R" Ass'y Removal

2-6-11. Review Arm Ass'y Removal

1. Remove the washer slit ①.
2. Lift up the full review arm ass'y ②.

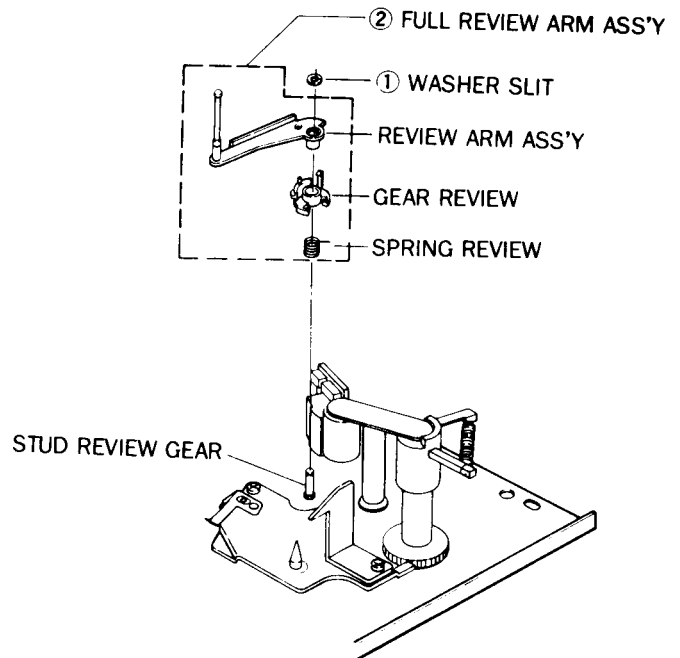


Fig. 46 Review Arm Ass'y Removal

2-6-12. Drive Cam Pinch Ass'y Removal

1. Remove two (2) screws ①.
2. Lift up the drive cam pinch ass'y ②.

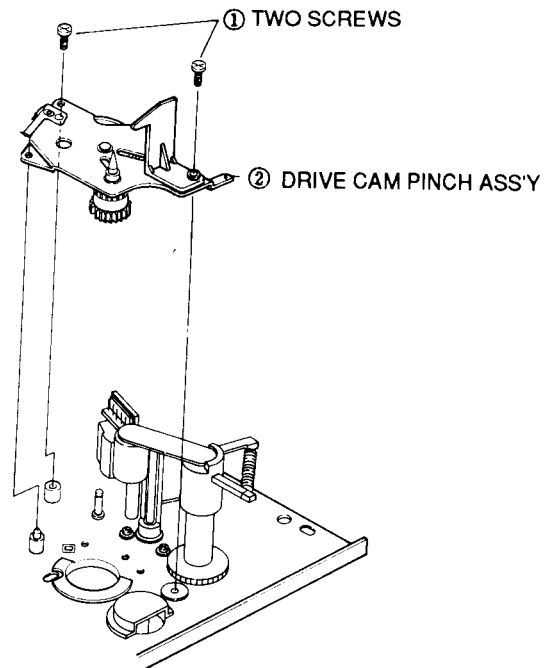


Fig. 47 Drive Cam Pinch Ass'y Removal

2-6-13. Pinch Roller Unit & Gear Escalator Removal

1. Remove the spring pinch roller ①.
2. Remove the washer slit ②.
3. Lift up the arm pinch ass'y ③.
4. Lift up the holder escalator ④ and the gear escalator ⑤.

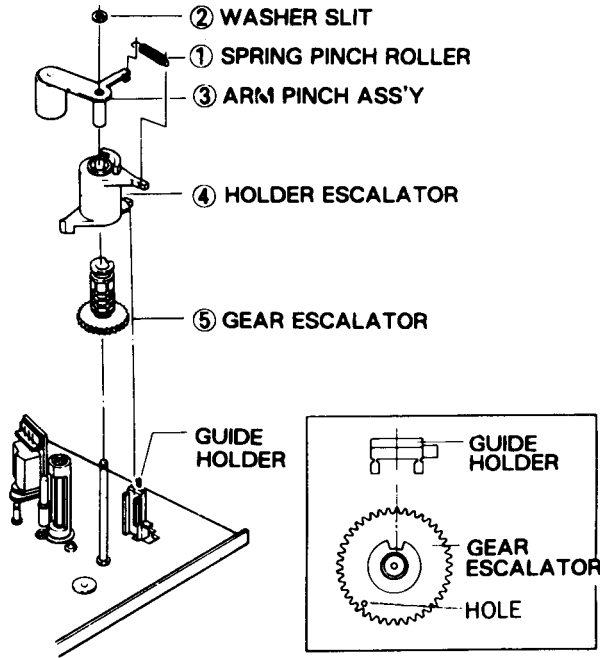


Fig. 48 Pinch Roller Unit & Gear Escalator Removal

2-6-14. Reassembly of Unit Drive Pinch Ass'y and Gear Escalator

1. Align the hole of the bracket pinch drive ① with the hole of the gear cam drive ②.
(Refer to timing (A) in Fig. 49)
2. Align the hole of the bracket pinch drive ① with the hole of the gear cam pinch ③.
(Refer to timing (B) in Fig. 49)
3. Align the protrusion on the side of the gear relay pinch ④ with the hole of the gear cam drive ②.
(Refer to timing (C) in Fig. 49)
4. Install the gear escalator on the shaft and align the holes.
(Refer to timing in Fig. 48)
5. While installing align the arrow mark of the gear cam pinch ③ with the hole of the gear escalator ⑤.
(Refer to timing (D) in Fig. 50)
6. When aligning the timing (D), be sure to line up the timing (A), (B), (C).
7. Install the two (2) screws.

Bottom View of Drive Pinch Ass'y

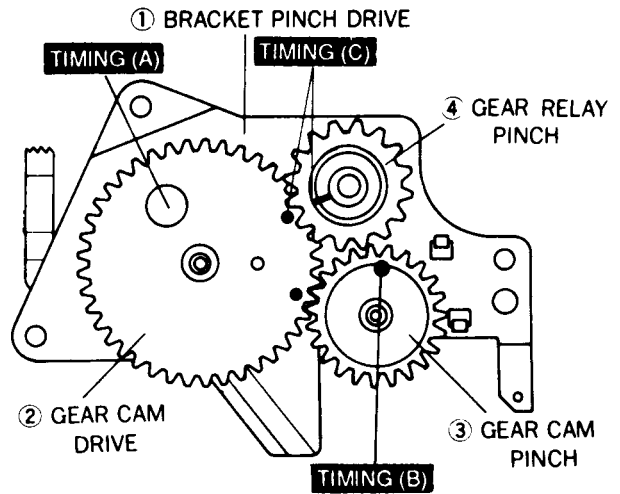


Fig. 49 Timing of Gear Cam Drive, Gear Cam Pinch & Gear Relay Pinch

Top View of Drive Pinch Ass'y

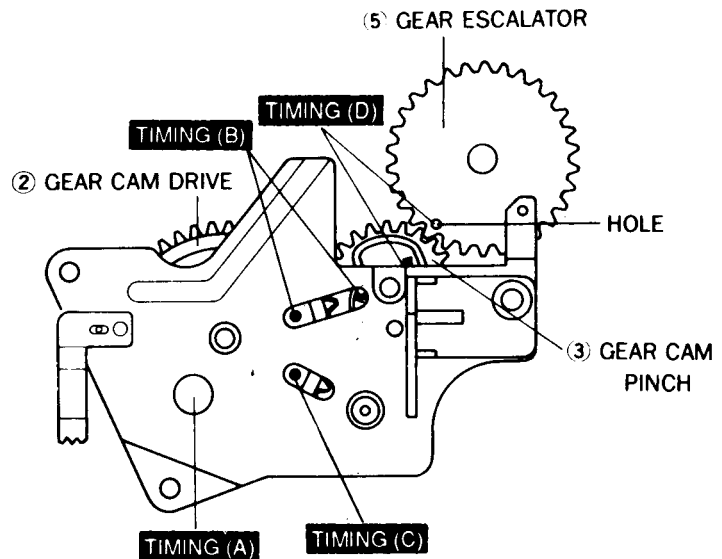


Fig. 50 Reassembly of Drive Pinch Ass'y & Gear Escalator

2-6-15. Reassembly of Full Review Arm Ass'y

1. Assemble the full review arm ass'y ① so that the gear review ② is touching the review stopper ③ as shown in Fig. 51.
2. Install the washer slit.

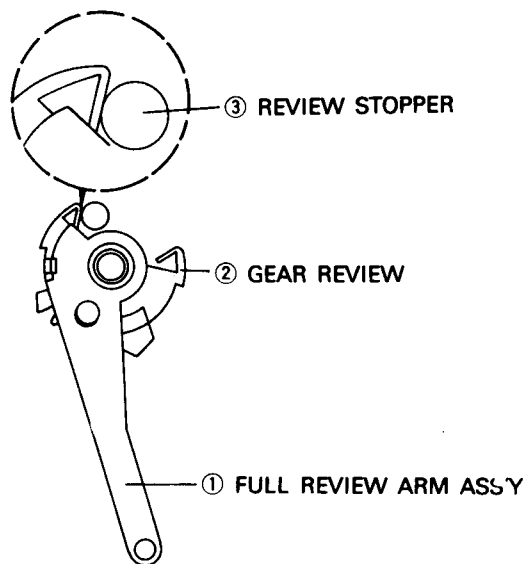


Fig. 51 Reassembly and Timing of Full Review Arm Ass'y

2-6-16. Reassembly of Gear Loading "L", "R" Ass'y

1. Reassemble the gear loading L/R ass'y in the eject mode while aligning the timing mark. (Refer to Fig. 52)

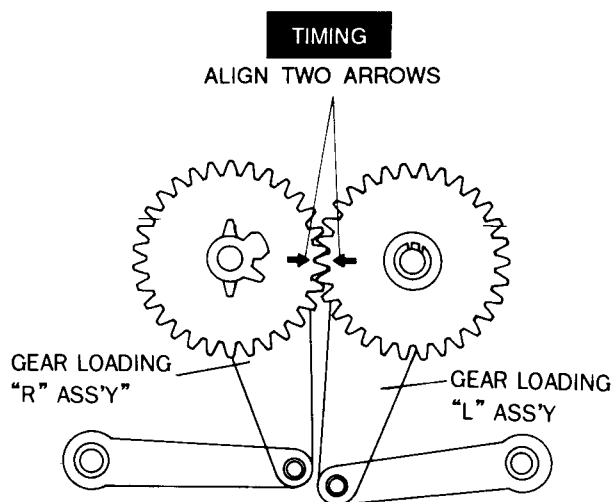


Fig. 52 Reassembly of Gear Loading "L", "R" Ass'y

2-6-17. Timing of Slide Main

1. Install the brake D/D capstan, lever tension control and slide I.B ass'y.
2. Install the slide main between brake D/D capstan and brake main "L", while pulling the brake D/D capstan and the brake main "L" toward arrow (A) and (B) respectively.
3. At the same time, make sure the brake sub "L" and the pole base is located as shown in the Fig. 53.
4. Install the slit washer plain and one screw.

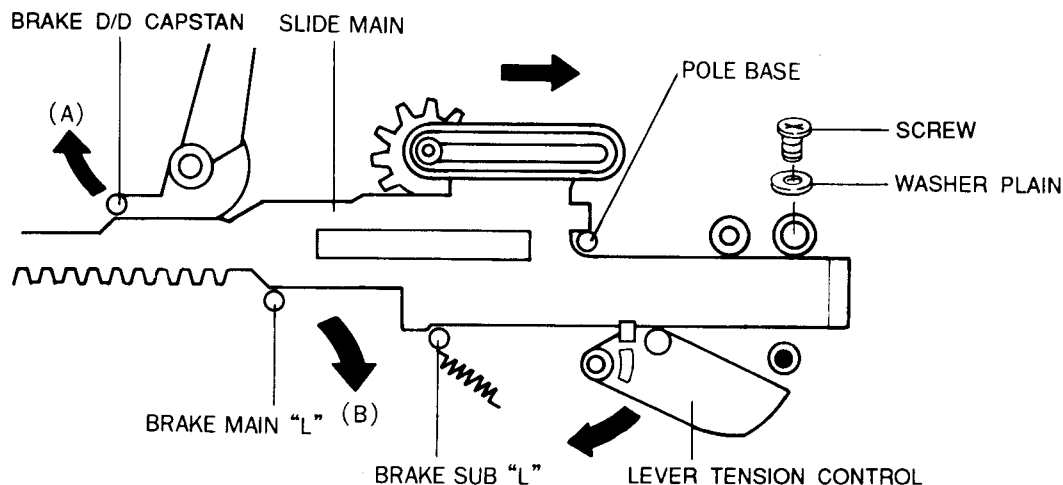


Fig. 53 Timing of Slide Main

2-6-18. Reassembly and Timing of Program S/W & Gear Master

1. Align two arrows on the program S/W ①. (Refer to timing (A))
2. After aligning timing (A) completely, install the gear master ② so that the boss on the program S/W ① is inserted into the small hole of gear master ②. (Refer to timing (B))
3. Install the gear worm wheel and then washer slit.

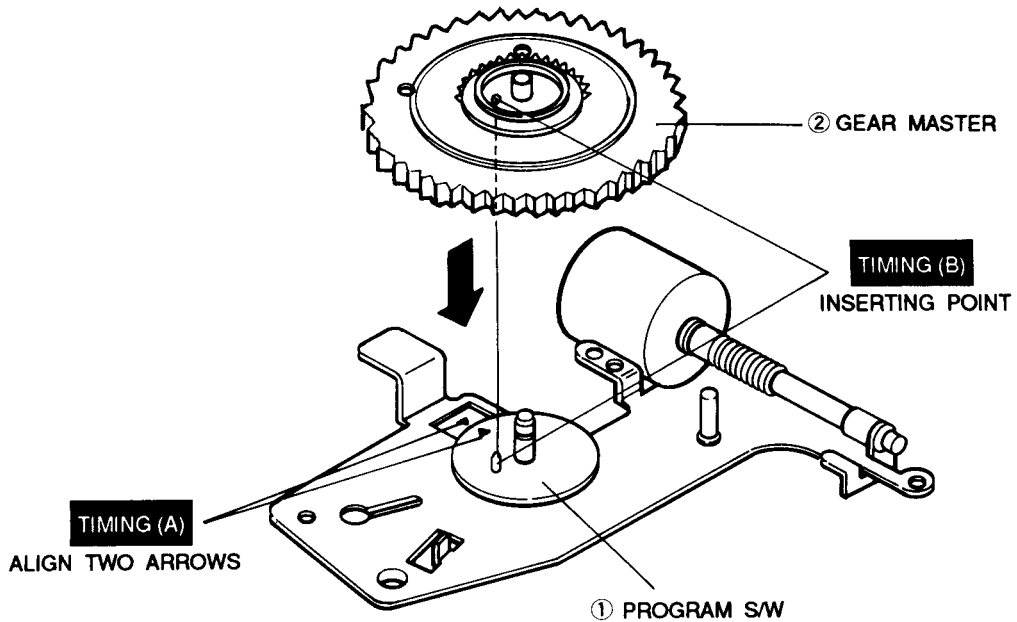


Fig. 54 Reassembly and Timing of Program S/W & Gear Master

2-6-19. Timing of Gear Master & Gear Eject Drive

1. Install the gear eject drive.
2. Install the loading unit and align the slot #2 of the gear eject drive ① with the hole of the gear master ②. (Refer to timing (A) in Fig. 55)
3. At this time, make sure that the timing (B) of the gear relay pinch ③ and the gear master ② are aligned correctly.

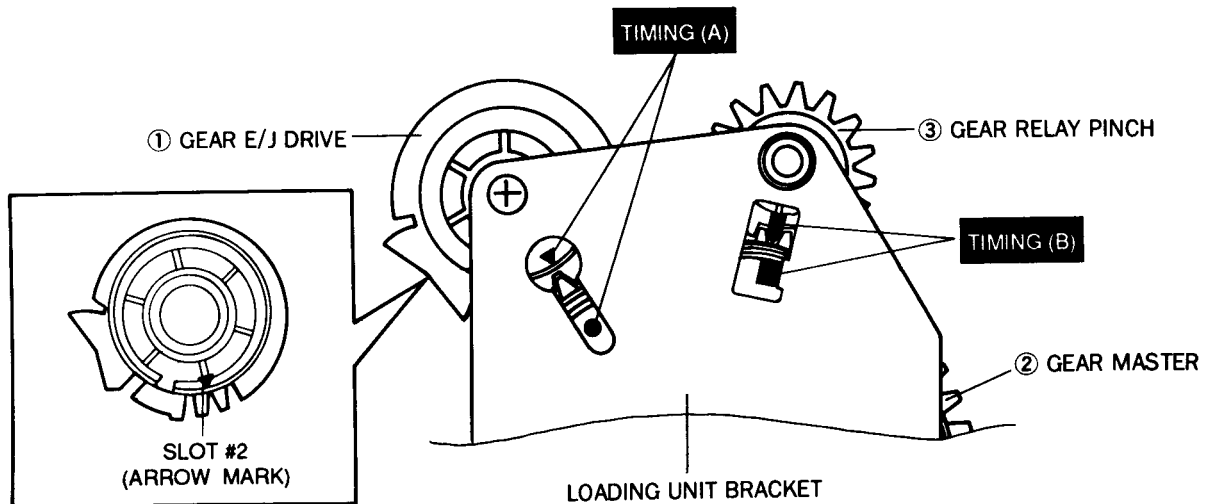


Fig. 55 Timing of Gear Master & Gear Eject Drive

2-7. TAPE TRANSPORT ASS'Y REMOVAL

2-7-1. Pole Base "L", "R" Ass'y Removal

1. Remove cylinder ass'y. (Refer to 2-4-2)
2. Move the pole base "L", "R" ass'y ①, ② to the end of slot.
3. Lift up the pole base "L", "R" ass'y ①, ②.

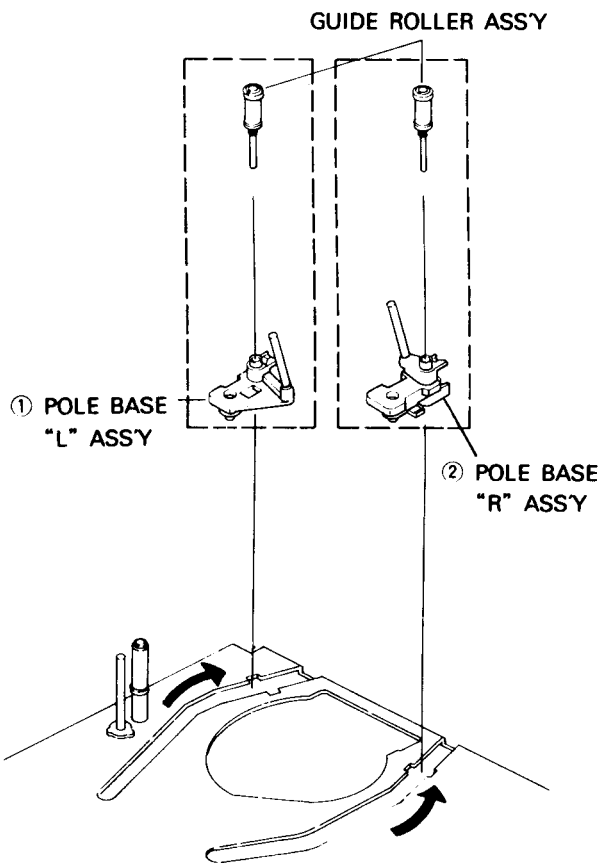


Fig. 56 Pole Base "L", "R" Ass'y Removal

2-7-2. Head Magnetic F/E Removal (Fig. 57)

1. Remove one (1) screw ① holding the full erase head ②.
2. Unsolder the F/E head P.C.B. ② from the head magnetic F/E ③.
3. Lift up the head magnetic F/E ③.

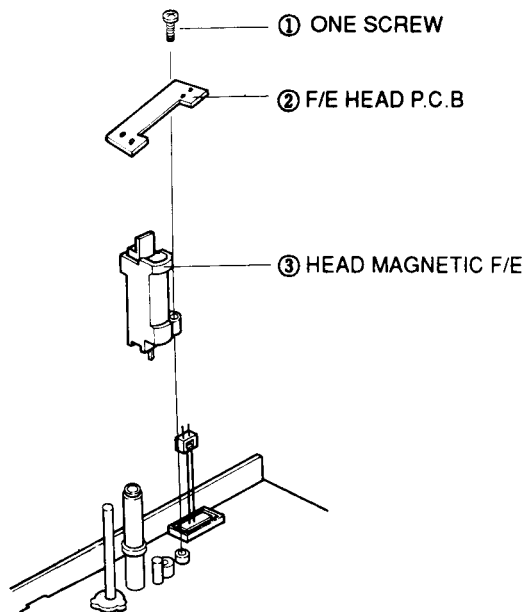


Fig. 57 Head Magnetic F/E Removal

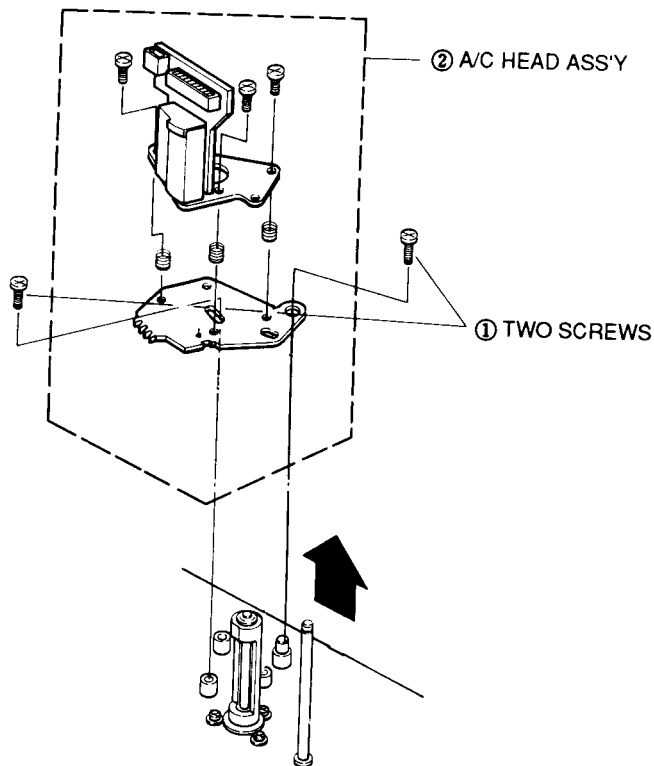


Fig. 58 A/C Head Ass'y Removal


2-7-3. A/C Head Ass'y Removal (Fig. 58)

1. Remove two (2) screws ①.
2. Lift up A/C head ass'y ②.
3. Reinstall in reverse order.

HOT

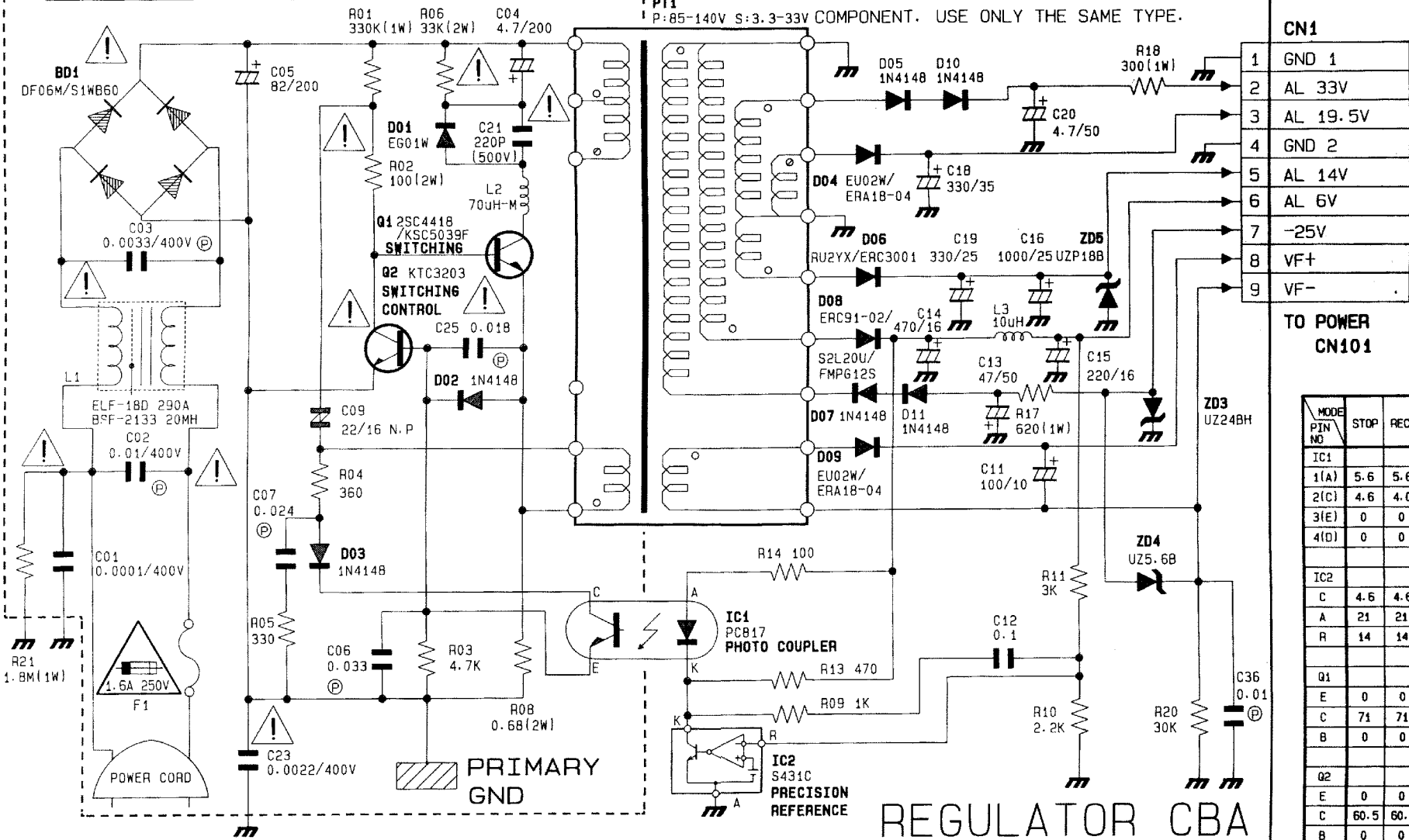
NOTE: IF YOU CHECK THE VOLTAGE FOR PARTS IN HOT CIRCUIT, YOU MUST USE **PRIMARY GND** AS A COMMON TERMINAL

IMPORTANT SAFETY NOTICE

COMPONENT IDENTIFIED WITH THE MARK  HAVE THE SPECIAL CHARACTERISTICS FOR SAFETY WHEN REPLACING ANY OF THESE COMPONENT. USE ONLY THE SAME TYPE.

PT1

P:85-140V S:3.3-33V COMPONENT. USE ONLY THE SAME TYPE.



CN1

1	GND 1
2	AL 33V
3	AL 19.5V
4	GND 2
5	AL 14V
6	AL 6V
7	-25V
8	VF+
9	VF-

TO POWER CN101

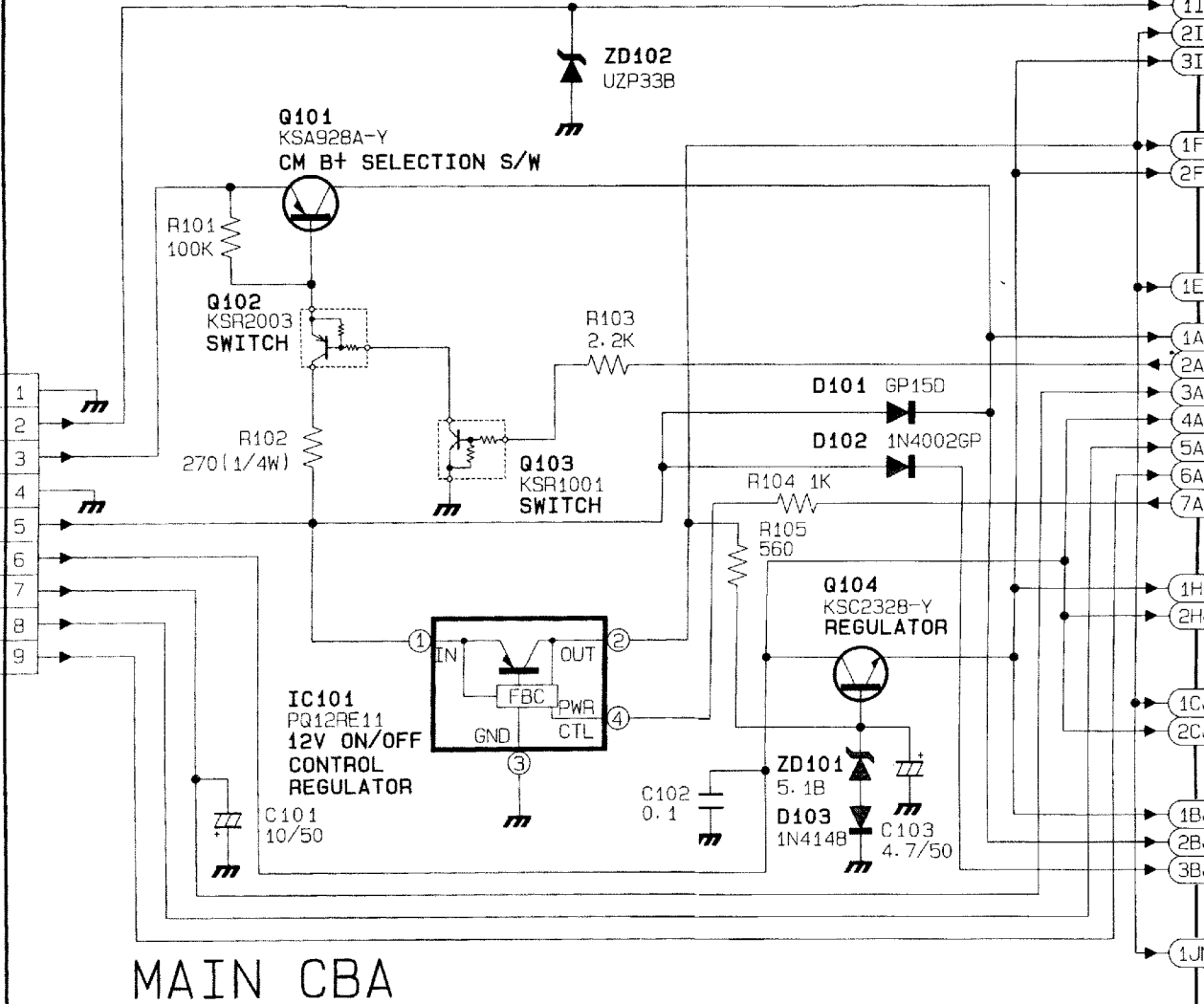
MODE	STOP	REC	PLAY
IC1			
1(A)	5.6	5.6	5.6
2(C)	4.6	4.6	4.6
3(E)	0	0	0
4(D)	0	0	0
IC2			
C	4.6	4.6	4.6
A	21	21	21
R	14	14	14
Q1			
E	0	0	0
C	71	71	71
B	0	0	0
Q2			
E	0	0	0
C	60.5	60.5	60.5
B	0	0	0

REGULATOR CBA

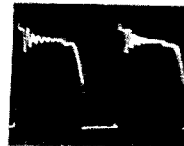
Power Schematic

CN101

GND 1	1
AL 33V	2
AL 19.5V	3
GND 2	4
AL 14V	5
AL 6V	6
-25V	7
VF+	8
VF-	9



- 1IJ BT (33V)
- 2IJ PC 12V
- 3IJ PC 5V
- (1IJ) (3IJ)
- TO TM BLOCK
- 1FJ PC 12V
- 2FJ PC 5V
- (1FJ) (2FJ)
- TO HI-FI (HI-FI MODEL)
- 1EJ PC 12V
- 1AJ LM B+
- 2AJ HSR CTL
- 3AJ -25V
- 4AJ AL 6V
- 5AJ VF+
- 6AJ VF-
- 7AJ PWR CTL
- (1AJ) (7AJ)
- TO SYSCON
- 1HJ PC 5V
- 2HJ AL 6V
- (1HJ) (2HJ)
- TO OSD
- 1CJ PC 12V
- 2CJ AL 6V
- (1CJ) (2CJ)
- TO VIDEO
- 1BJ PC 5V
- 2BJ CM B+
- 3BJ DM B+
- (1BJ) (3BJ)
- TO SERVO
- 1JN PC 12V
- TO INPUT SW



Q1-C
290Vp-p(0VDC)
POWER ON



Q1-C
270Vp-p(0VDC)
POWER OFF

MODE	STOP	REC	PLAY
IC101			
1	15	15	15
2	12.1	12.1	12.1
3	0	0	0
4	5.2	5.2	5.2
Q101			
E	22	22	22
C	21	21	21
B	14	14	14
Q102			
E	23	21	21
C	14	14	14
B	22	22	22
Q103			
E	0	0	0
C	21	21	21
B	0	0	0
Q104			
E	-	-	-
C	-	-	-
B	-	-	-

AUDIO

--- REC AUDIO SIGNAL

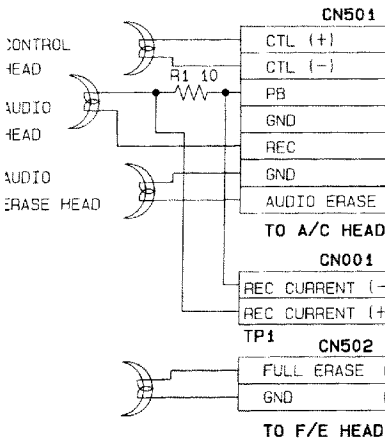
--- PB AUDIO SIGNAL

CTL (+)
CTL (-)
3BE 4BE
TO SERVO

TO A/C HEAD

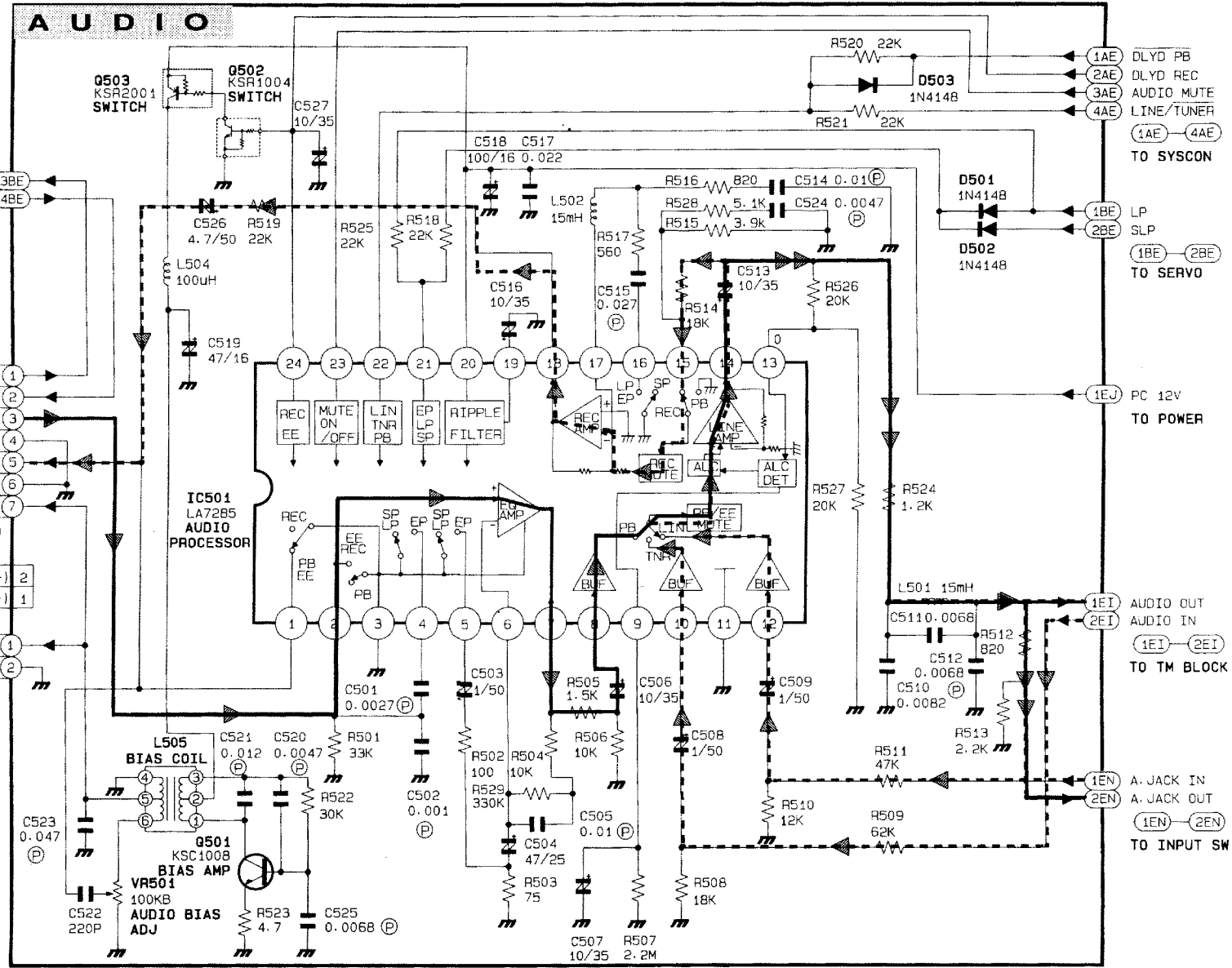
TO F/E HEAD

CONTROL HEAD
AUDIO HEAD
ERASE HEAD



SPECIAL NOTE
All integrated circuits and many other semiconductor devices are electrostatically sensitive and therefore require the special handling techniques described under the "electrostatically sensitive (ES) devices" section of this service manual.

NOTE
Do not use the part number shown on this drawing for ordering. The correct part number is shown in the parts list. And may be slightly different or amended since this drawing was prepared.



1AE DLYD PB
2AE DLYD REC
3AE AUDIO MUTE
4AE LINE/TUNER
1AE 4AE TO SYSCON

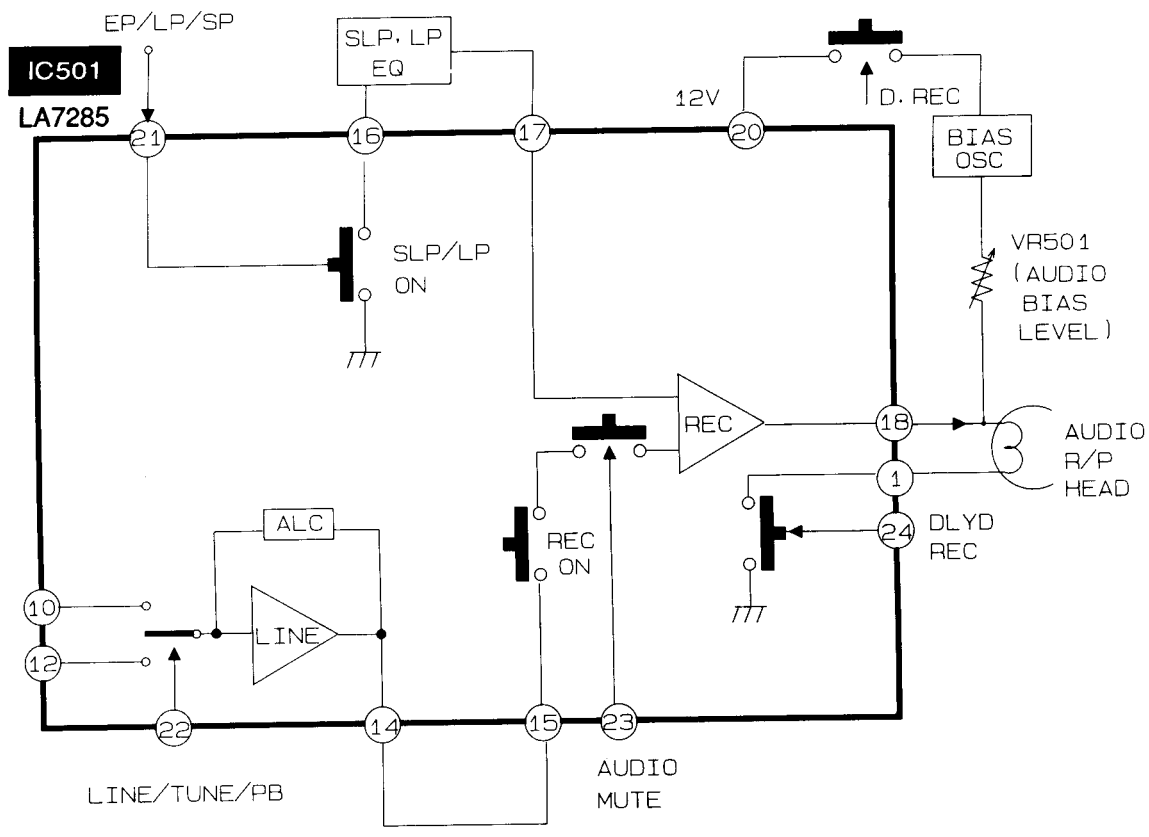
1BE LP
2BE SLP
1BE 2BE TO SERVO

1EU PC 12V TO POWER

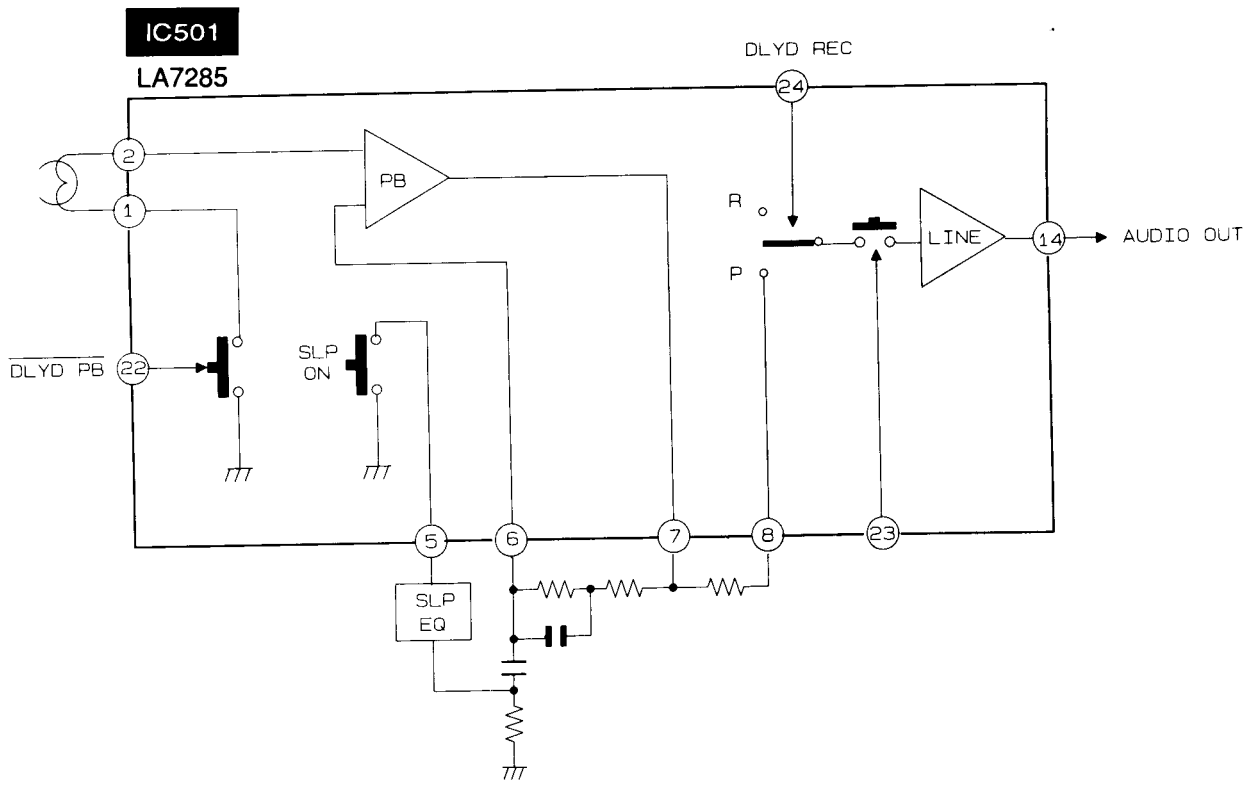
1EI AUDIO OUT
2EI AUDIO IN
1EI 2EI TO TM BLOCK

1EN A. JACK IN
2EN A. JACK OUT
1EN 2EN TO INPUT SW

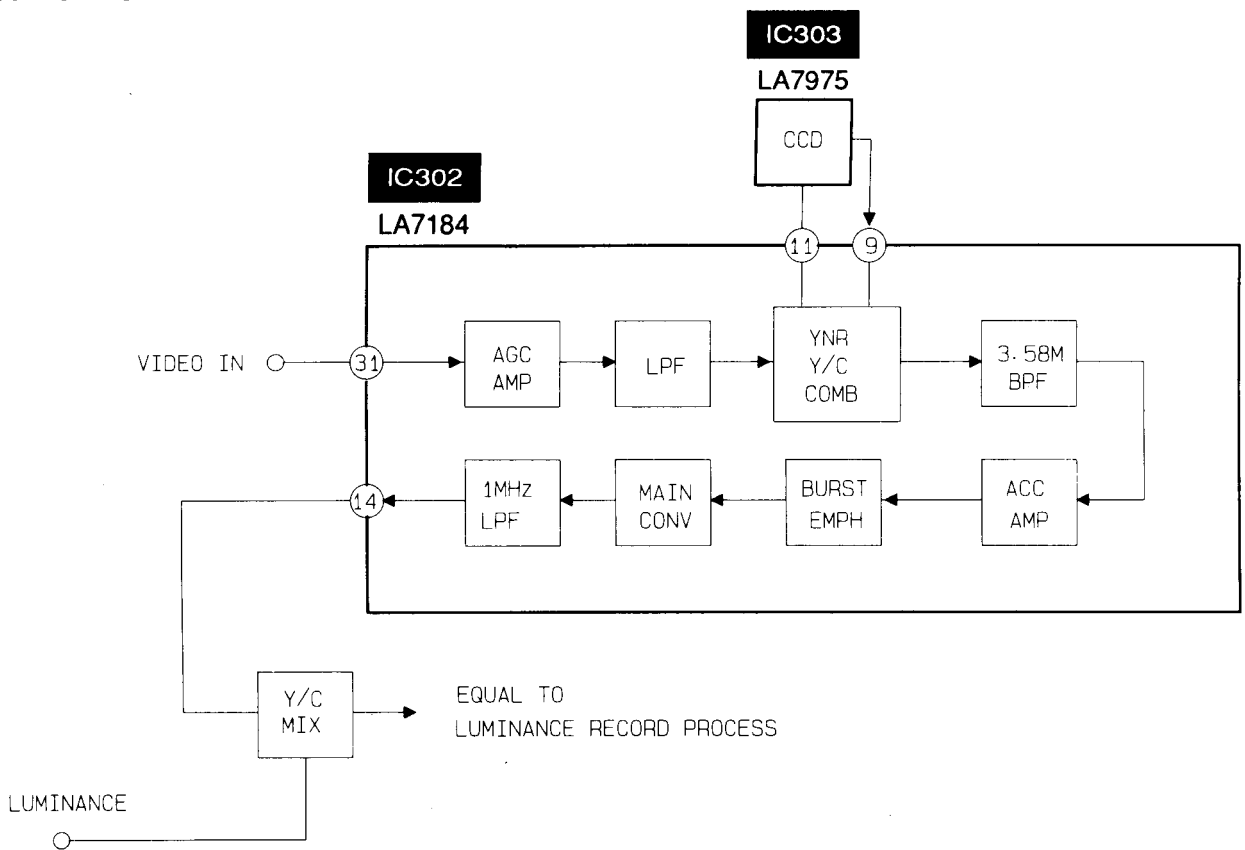
7-11. Audio Record Process



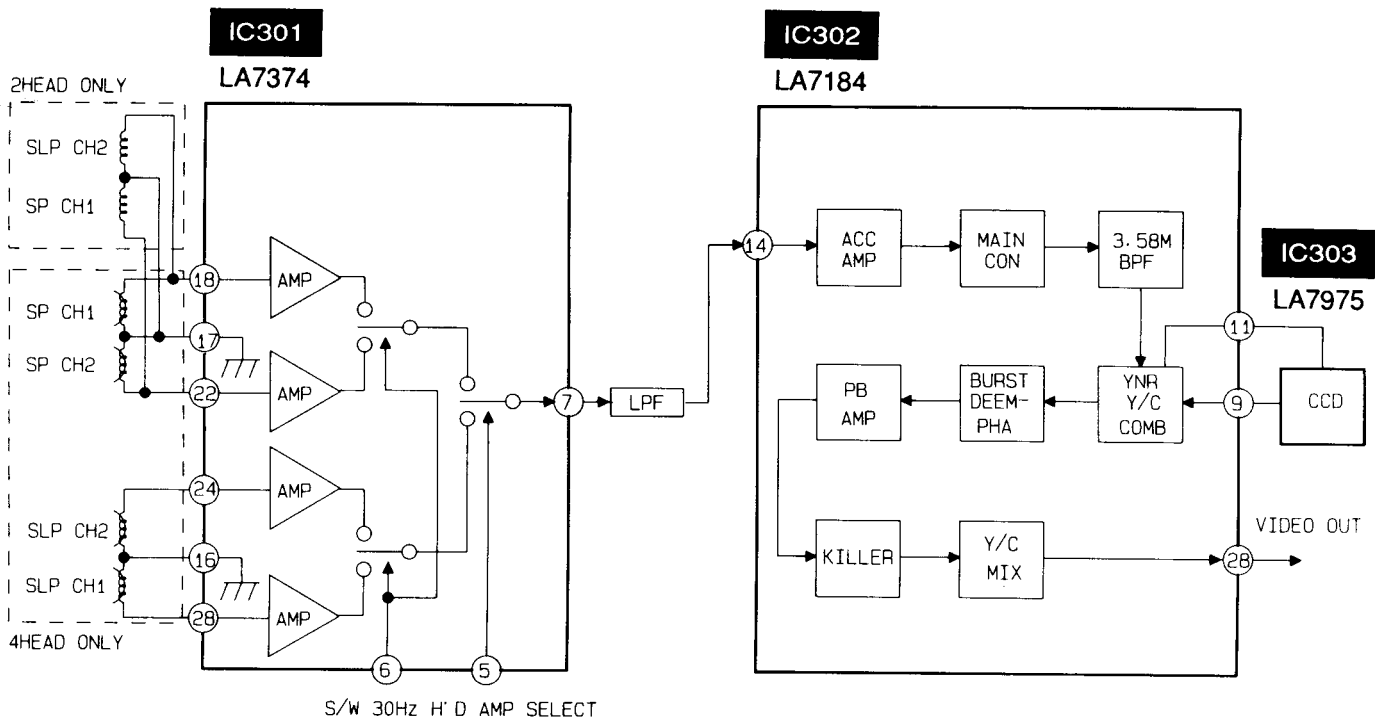
7-12. Audio Playback Process



7-9. Chrominance Record Process

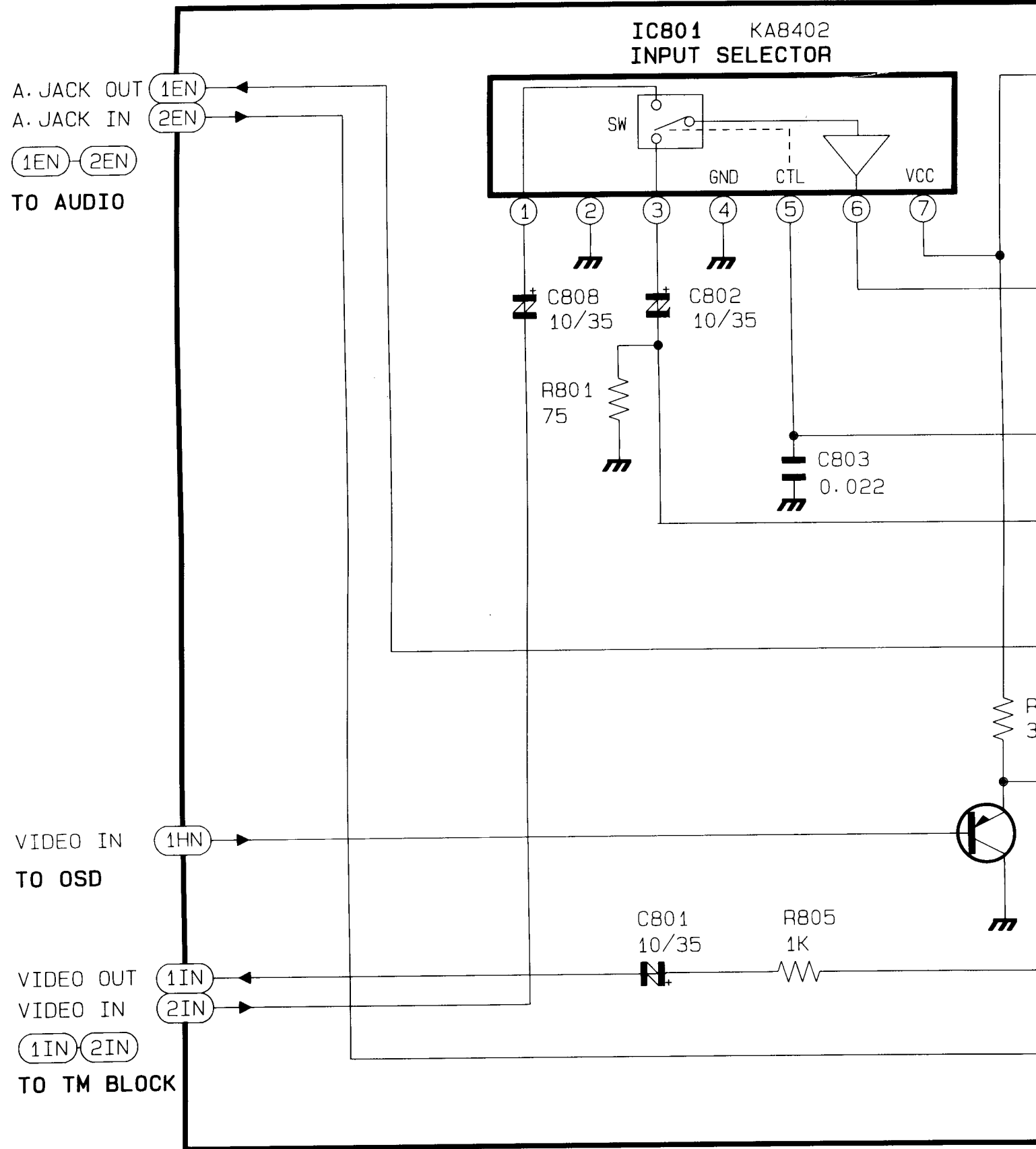


7-10. Chrominance Playback Process

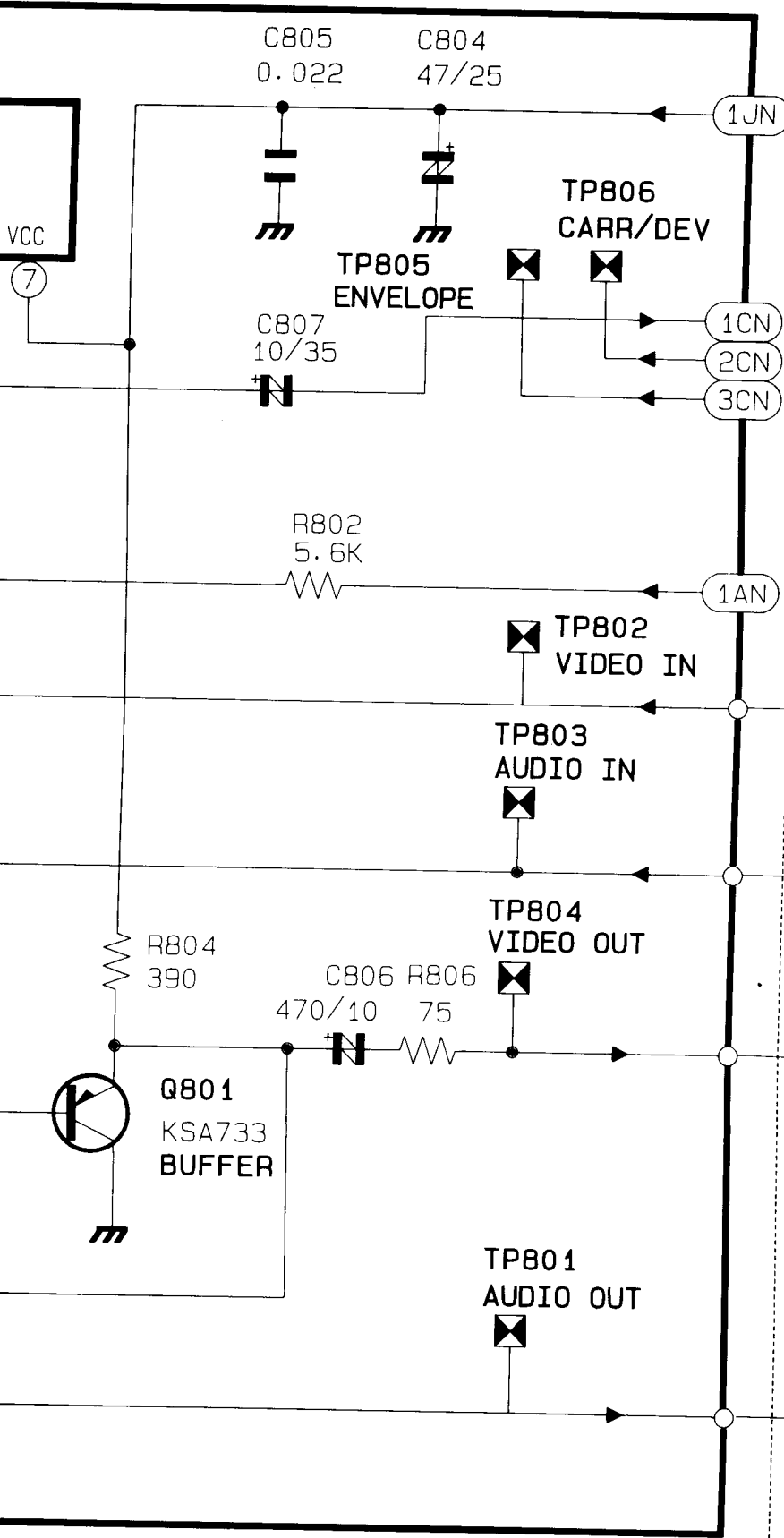


INPUT SELECTOR

8-12. Input Selector Schematic



INPUT SELECTOR



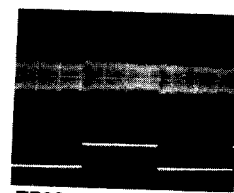
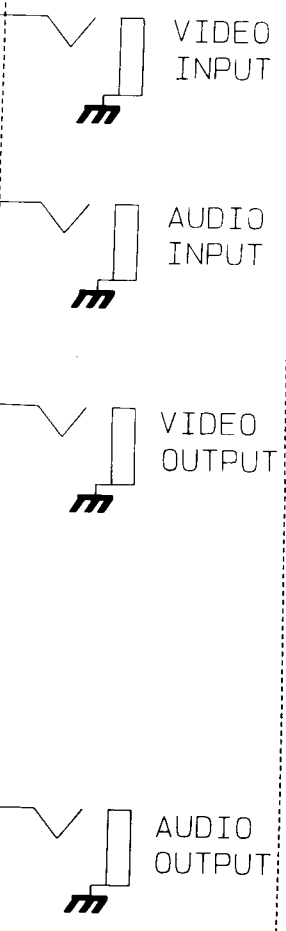
PC 12V
TO POWER

VIDEO OUT
CARR/DEV TP
ENVELOPE TP

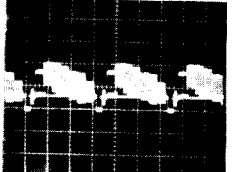
1CN — 3CN
TO VIDEO

1AN
LINE/TUNER
TO SYSCON

JK801



TP805(UPPER)
0.4Vp-p(1.3VDC)
PB



TP202(LOWER)
5.0Vp-p(1.3VDC)
PB

MODE	STOP	REC	PLAY
PTN NO			
IC801			
1	8.5	8.5	8.5
2	0	0	0
3	8.5	8.5	8.5
4	0	0	0
5	0	0	0
6	7.8	7.8	7.8
7	12.1	12.1	12.1
Q801			
E	1.9	1.9	1.9
C	0	0	0
B	0.9	1.0	0.7

SPECIAL NOTE
All integrated circuits and many other semiconductor devices are electrostatically sensitive and therefore require the special handling techniques described under the "electrostatically sensitive (ES) devices" section of this service manual.

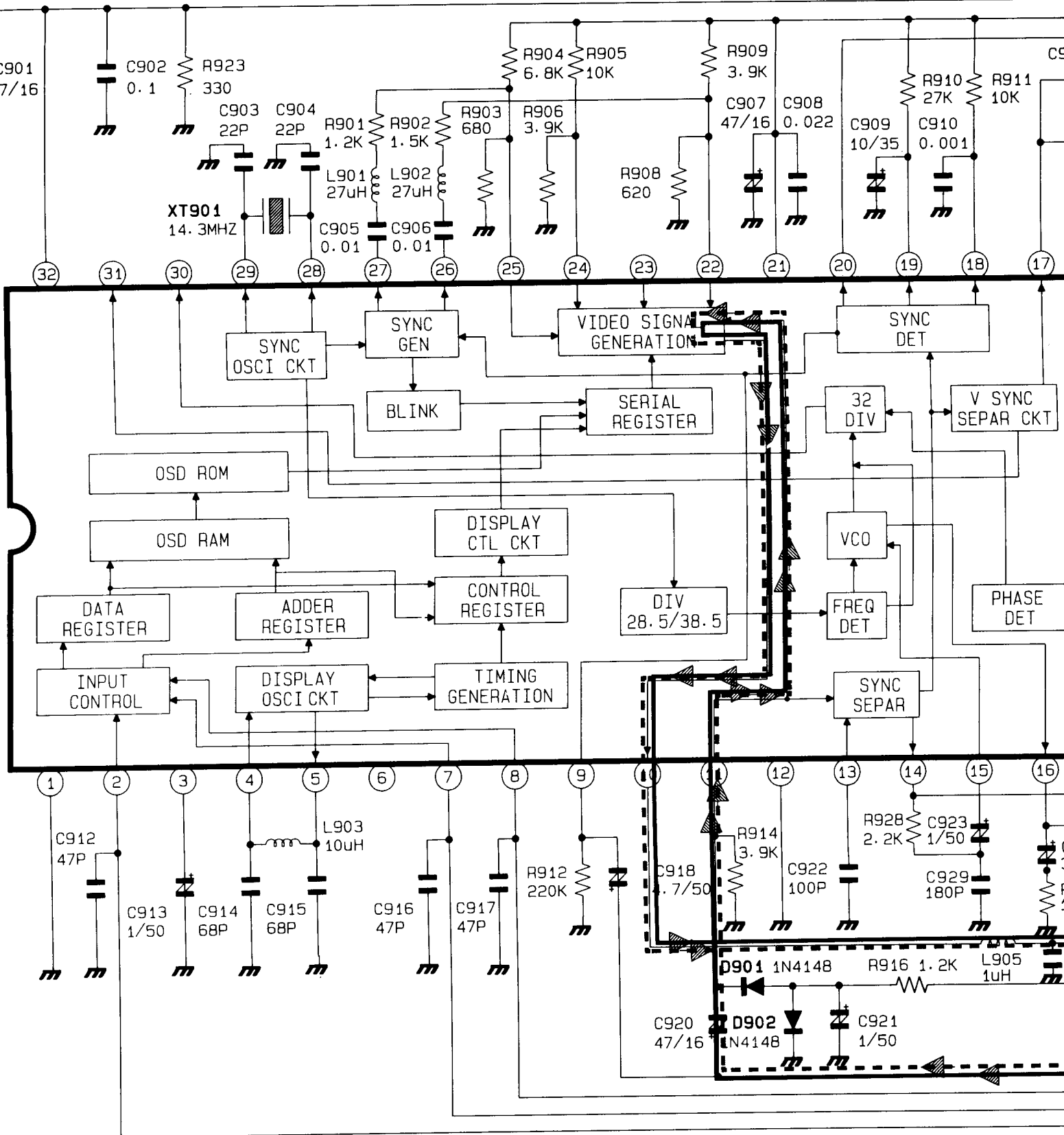
NOTE
Do not use the part number shown on this drawing for ordering. The correct part number is shown in the parts list. And may be slightly different or amended since this drawing was prepared.

REAR JACK

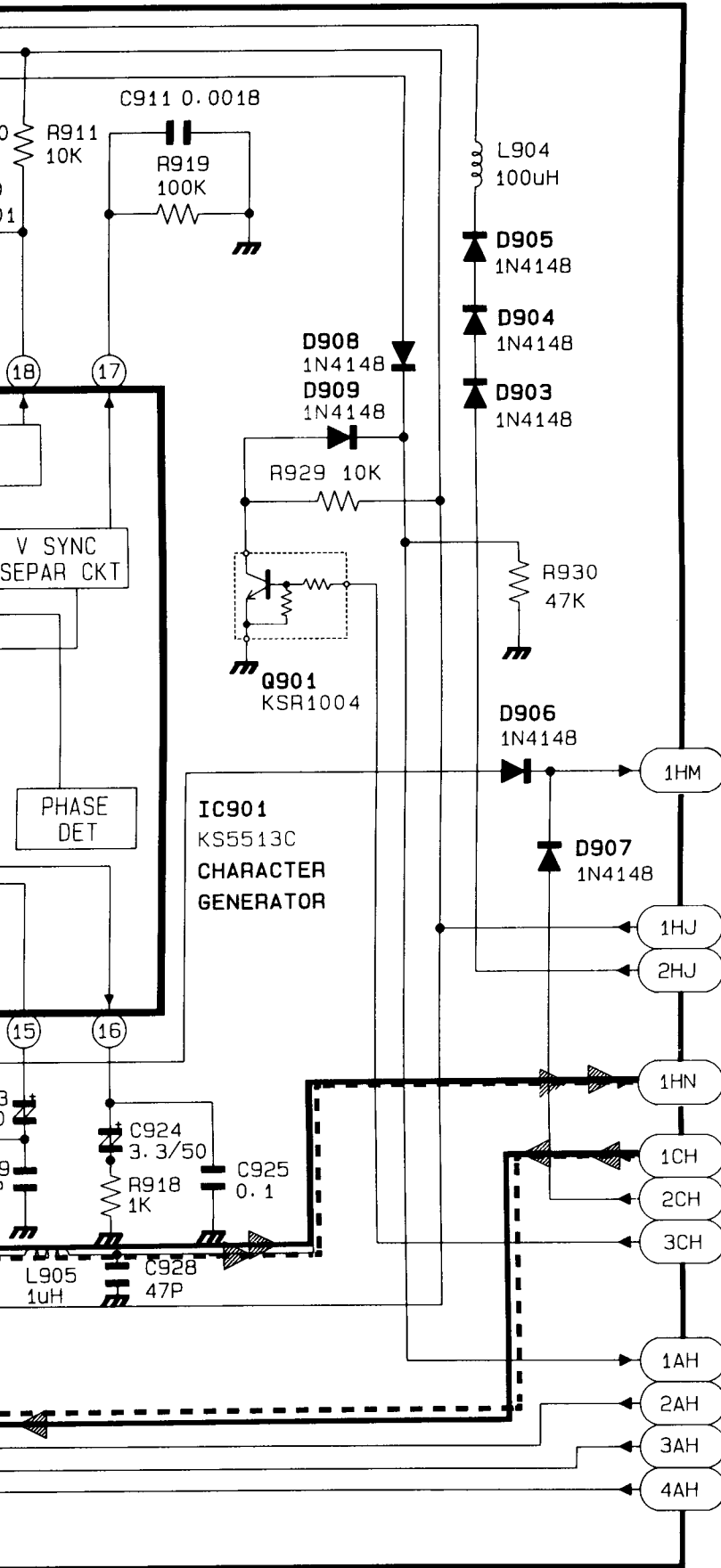
OSD

10. OSD Schematic

REC VIDEO SIGNAL PB VIDEO SIGNAL



O S D



NOTE
Do not use the part number shown on this drawing for ordering. The correct part number is shown in the parts list. And may be slightly different or amended since this drawing was prepared.

SPECIAL NOTE
All integrated circuits and many other semiconductor devices are electrostatically sensitive and therefore require the special handling techniques described under the "electrostatically sensitive (ES) devices" section of this service manual.



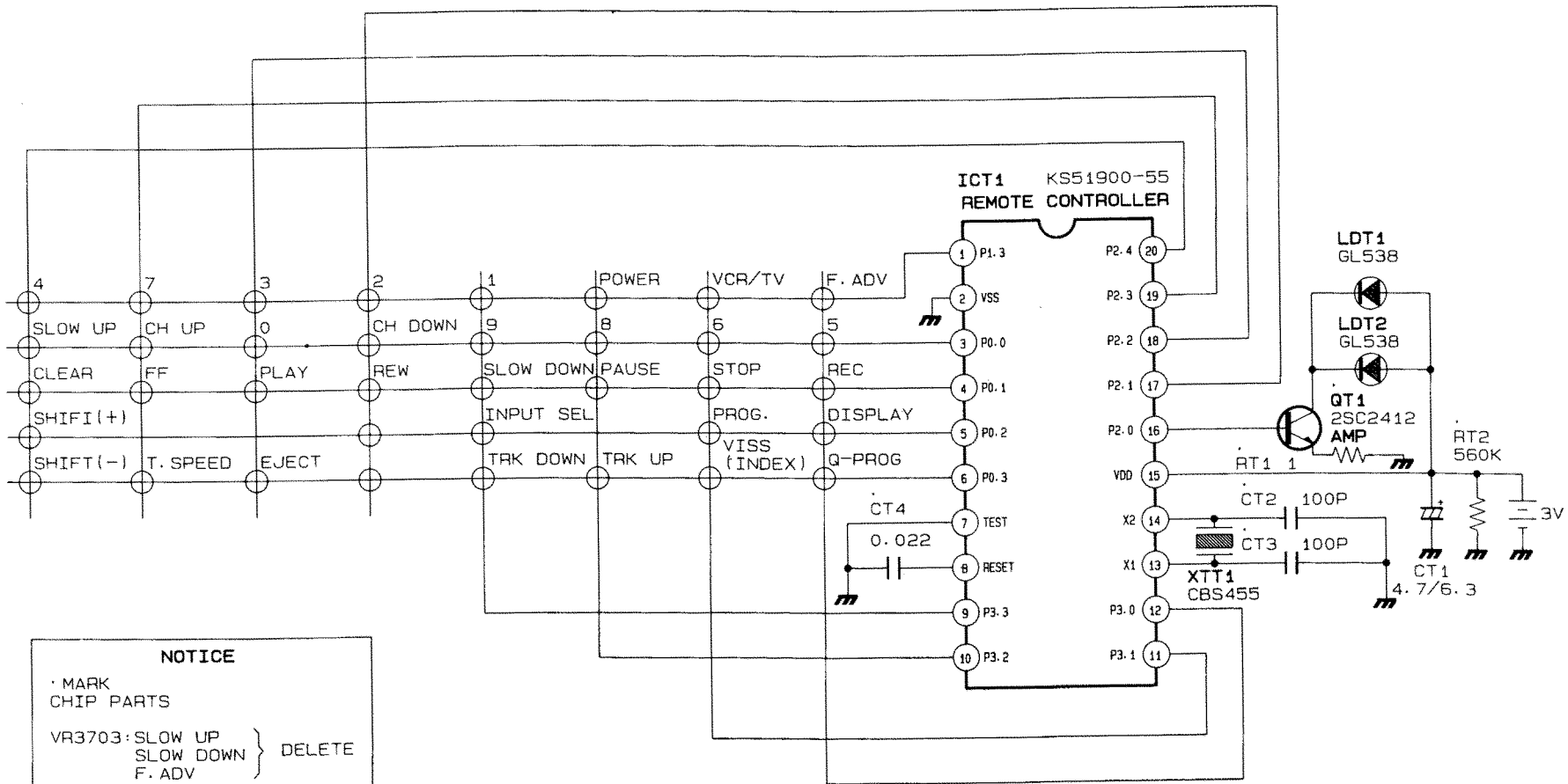
IC901-10
2.0Vp-p(1.1VDC)
REC/PB

MODE PIN NO	STOP	REC	PLAY
IC901			
1	0	0	0
2	4.9	4.9	4.9
3	5.0	5.0	5.0
4	2.0	2.0	2.0
5	2.0	2.0	2.0
6	5.0	5.0	5.0
7	4.5	4.5	4.5
8	0	0	0
9	2.5	2.5	2.5
10	1.0	1.0	1.0
11	1.0	1.0	1.0
12	0	0	0
13	2.5	2.5	2.5
14	0.5	0.5	0.5
15	0	0	0
16	2.3	2.3	2.3
17	0.2	0.2	0.2
18	0.6	0.6	0.6
19	2.0	2.0	2.0
20	4.2	4.2	4.2
21	5.0	5.0	5.0
22	0.7	0.7	0.7
23	1.5	0.7	2.7
24	1.4	1.4	1.4
25	0.4	0.4	0.4
26	0	0	0
27	0	0	0
28	2.4	2.4	2.4
29	2.4	2.4	2.4
30	4.7	4.7	4.7
31	5.0	5.0	5.0
32	5.0	5.0	5.0
Q901			
E	0	0	0
C	0.6	0.6	0.4
B	0.9	0.4	0.4

DESCRIPTION OF

- D-GND
- OSD CLOCK
- AC
- OSC1
- OSC2
- N/P
- OSD STROBE
- OSD DATA
- REF
- C VIDEO OUT
- C VIDEO IN
- A-GND
- LPF
- C SYNC OUT
- AFC IN
- AFC FILTER

- 1HM TO SERVO
- 1HJ PC 5V
- 2HJ AL 6V
- 1HJ (2HJ) TO POWER
- 1HN VIDEO OUT
- 1CH VIDEO IN
- 2CH C-SYNC
- 3CH DLYD PB
- 1CH (3CH) TO VIDEO
- 1AH SYNC DET
- 2AH OSD DATA
- 3AH OSD STROBE
- 4AH OSD CLOCK
- 1AH (4AH) TO SYSCON

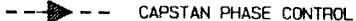





NOTICE

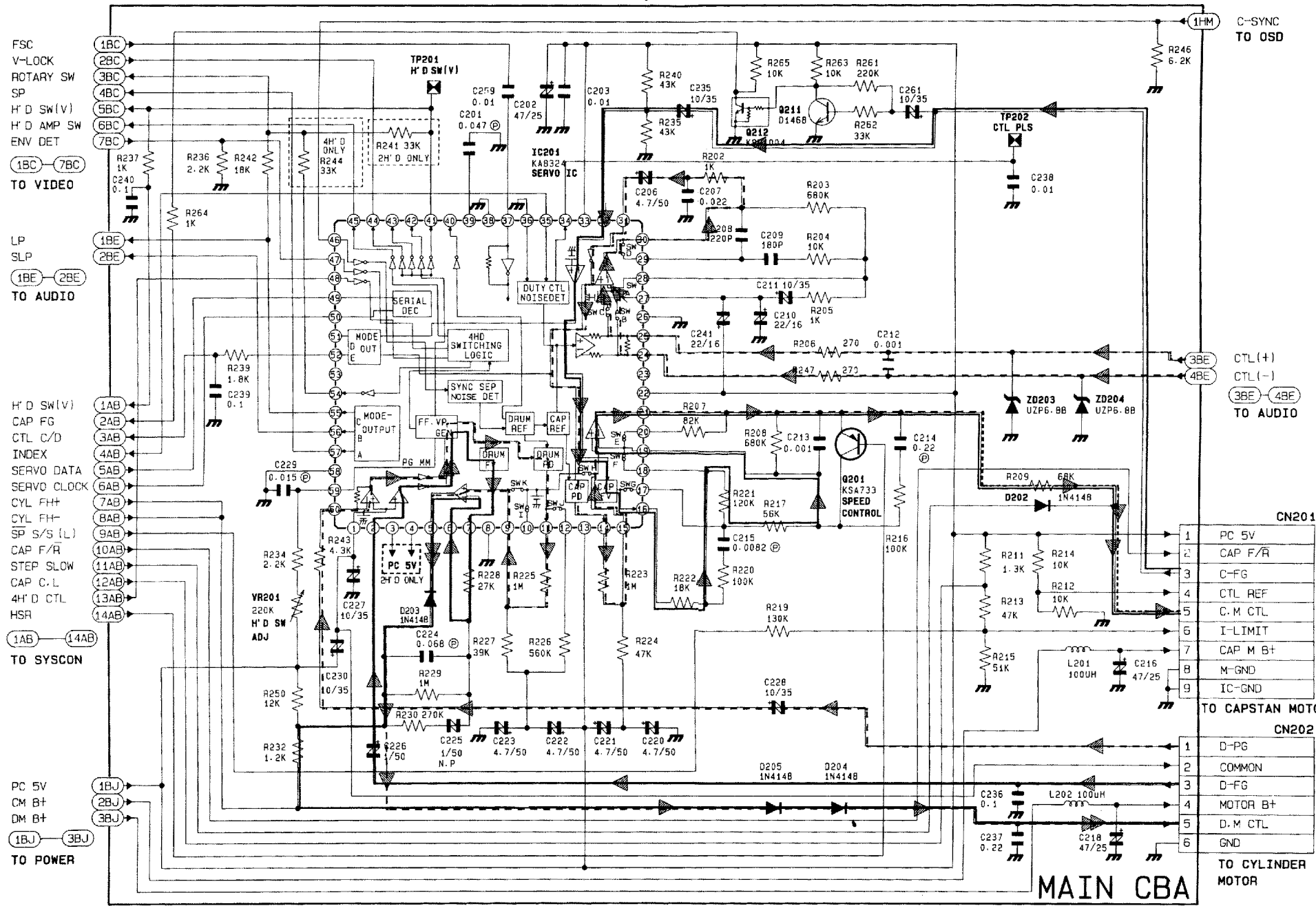
· MARK
CHIP PARTS

VR3703: SLOW UP }
SLOW DOWN } DELETE
F. ADV }

8-6. Servo Schematic

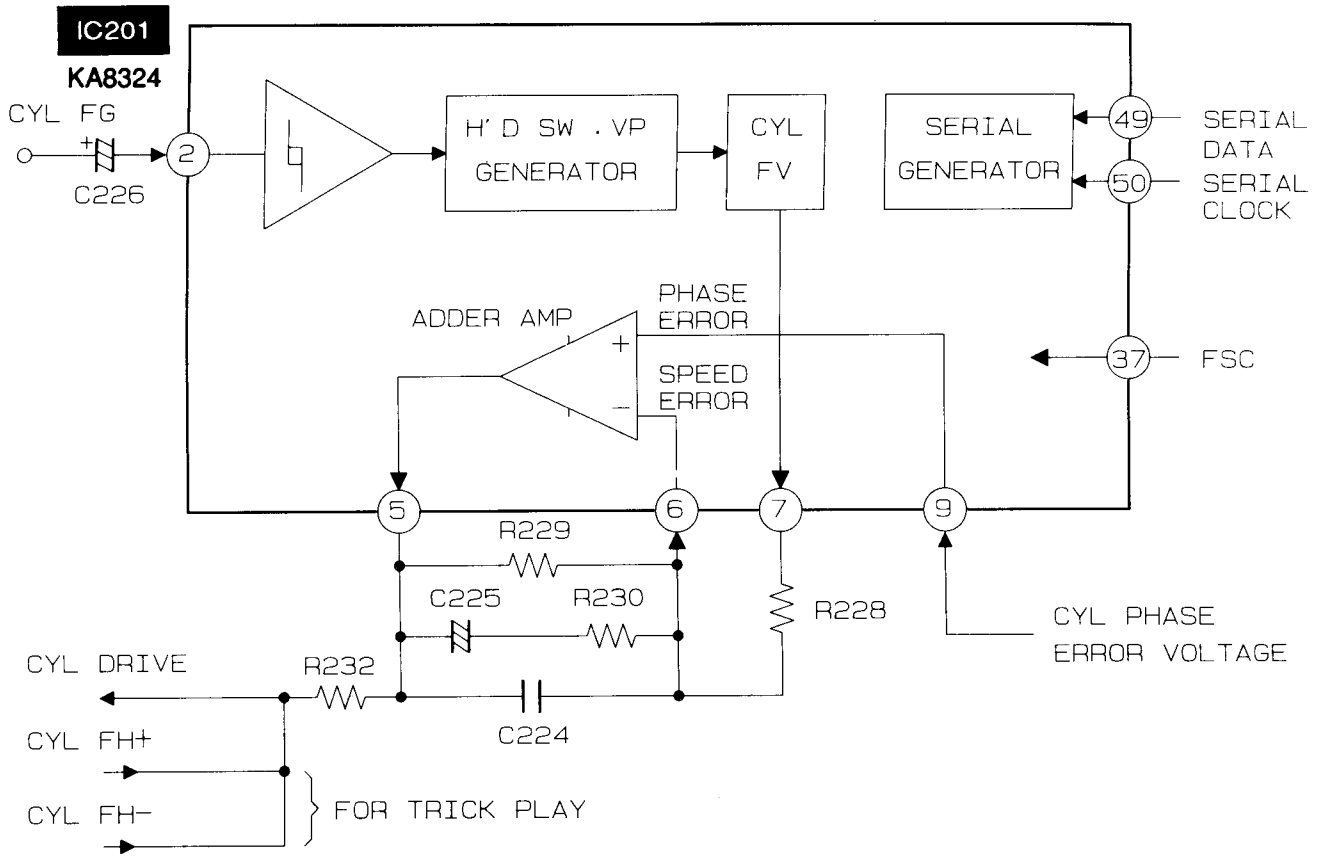
 CAPSTAN PHASE CONTROL
 CAPSTAN SPEED CONTROL
 DRUM PHASE CONTROL
 DRUM SPEED CONTROL

SERVO

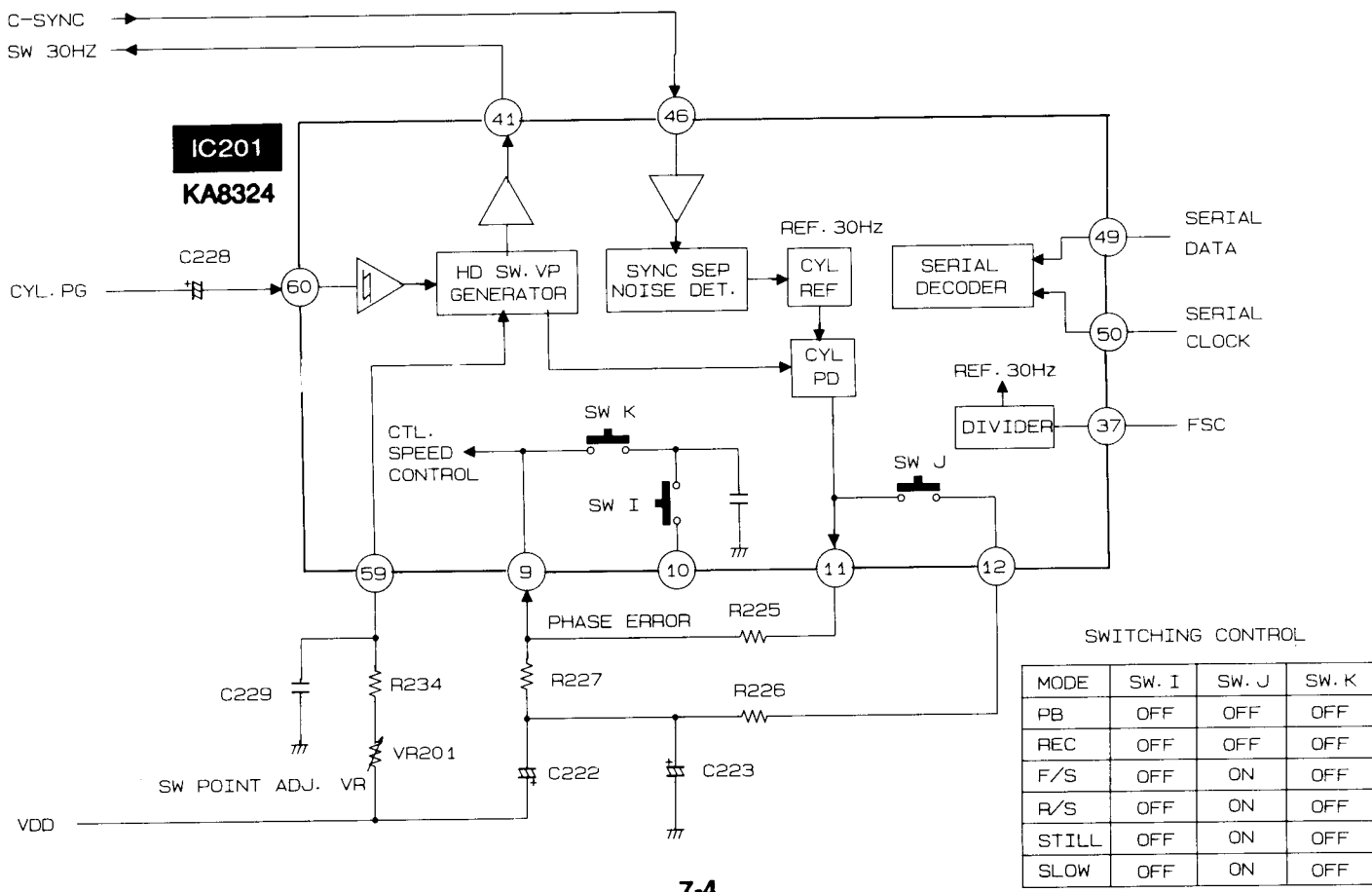


MAIN CBA

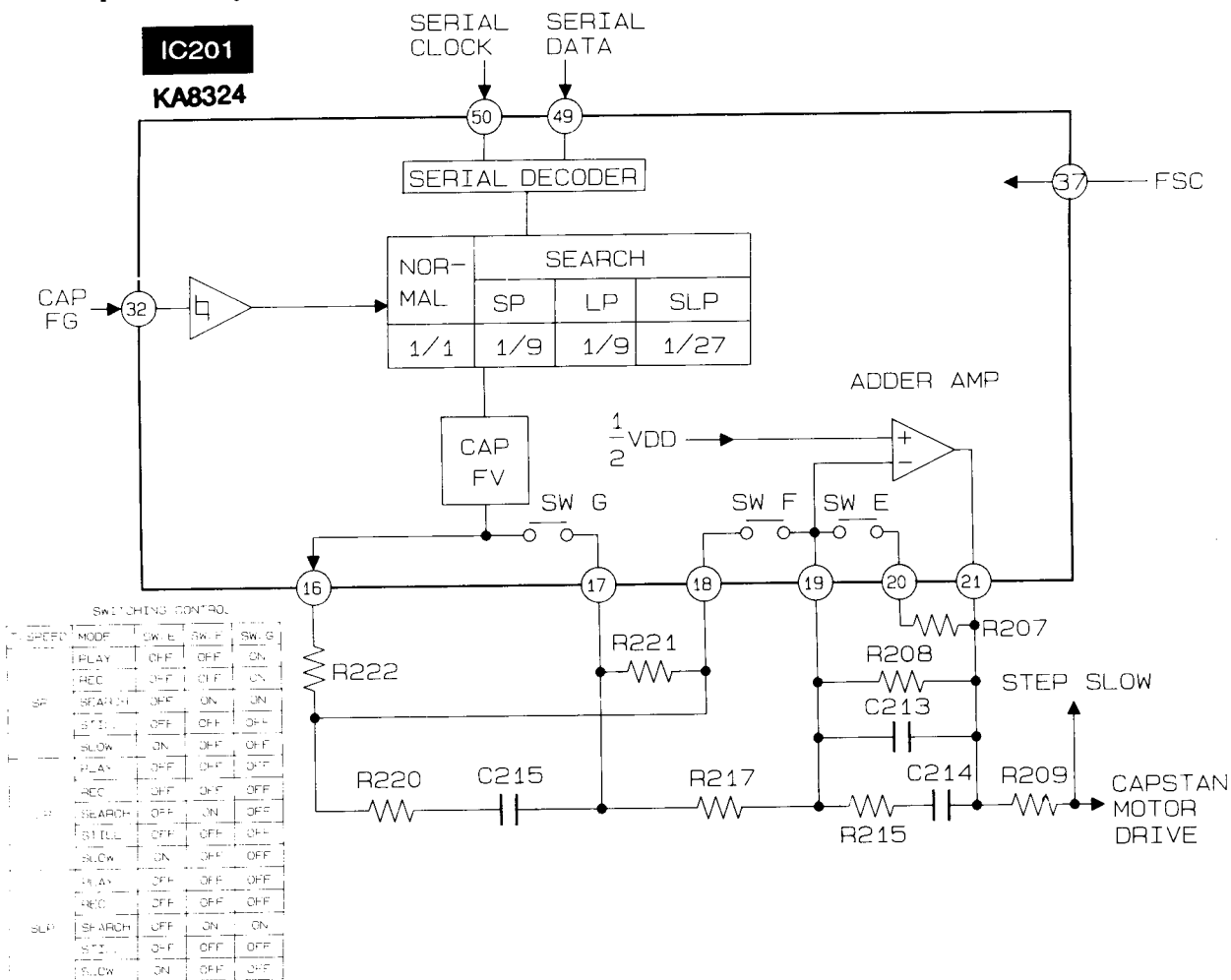
7-3. Cylinder Speed Control



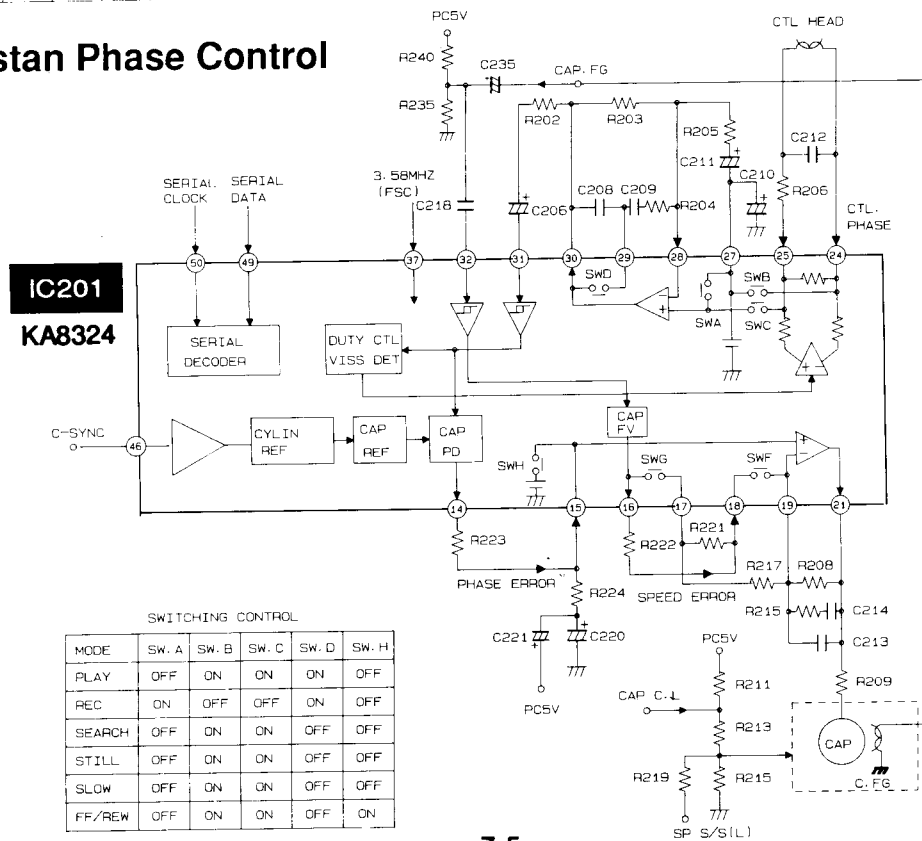
7-4. Cylinder Phase Control



7-5. Capstan Speed Control

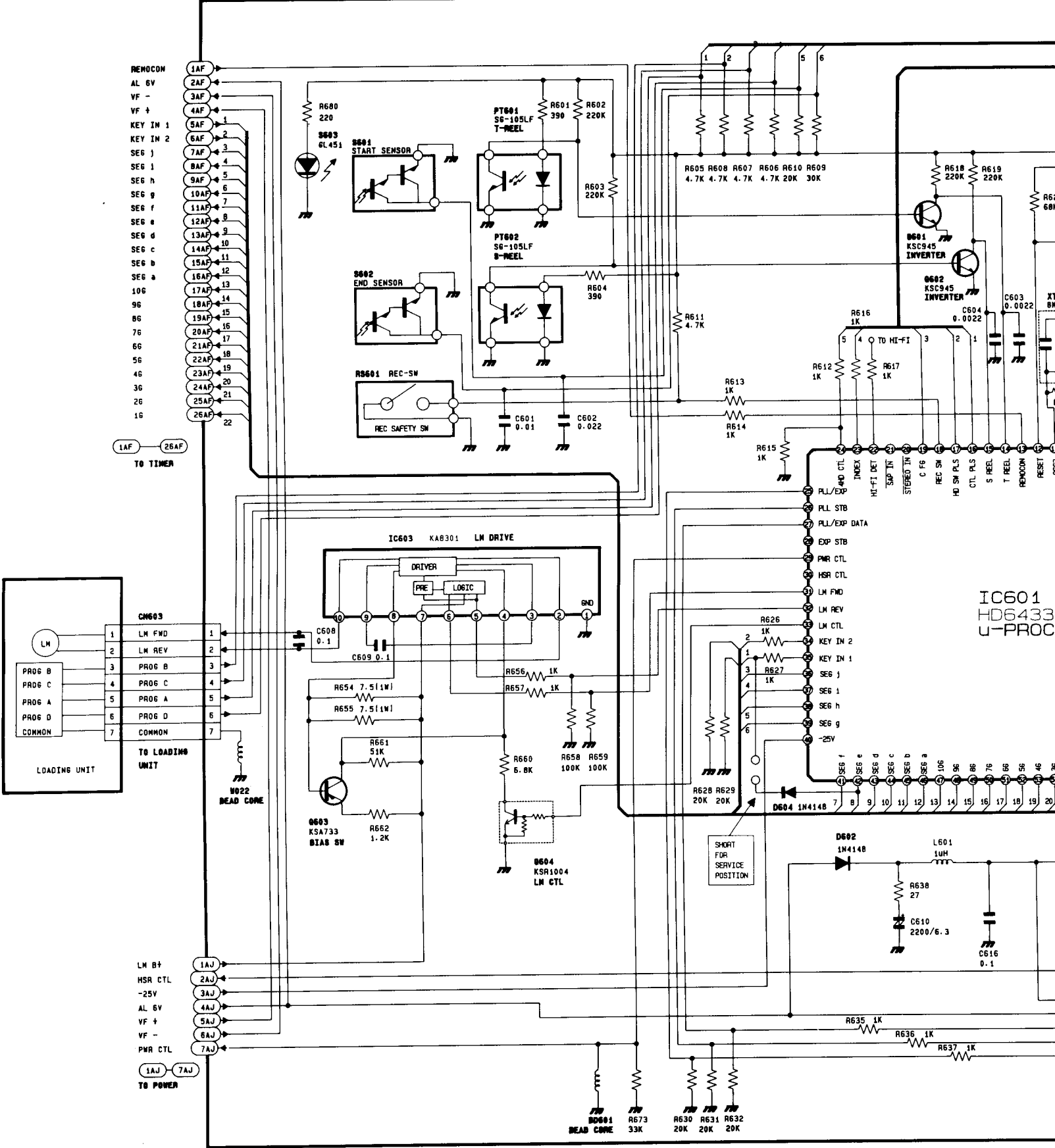


7-6. Capstan Phase Control

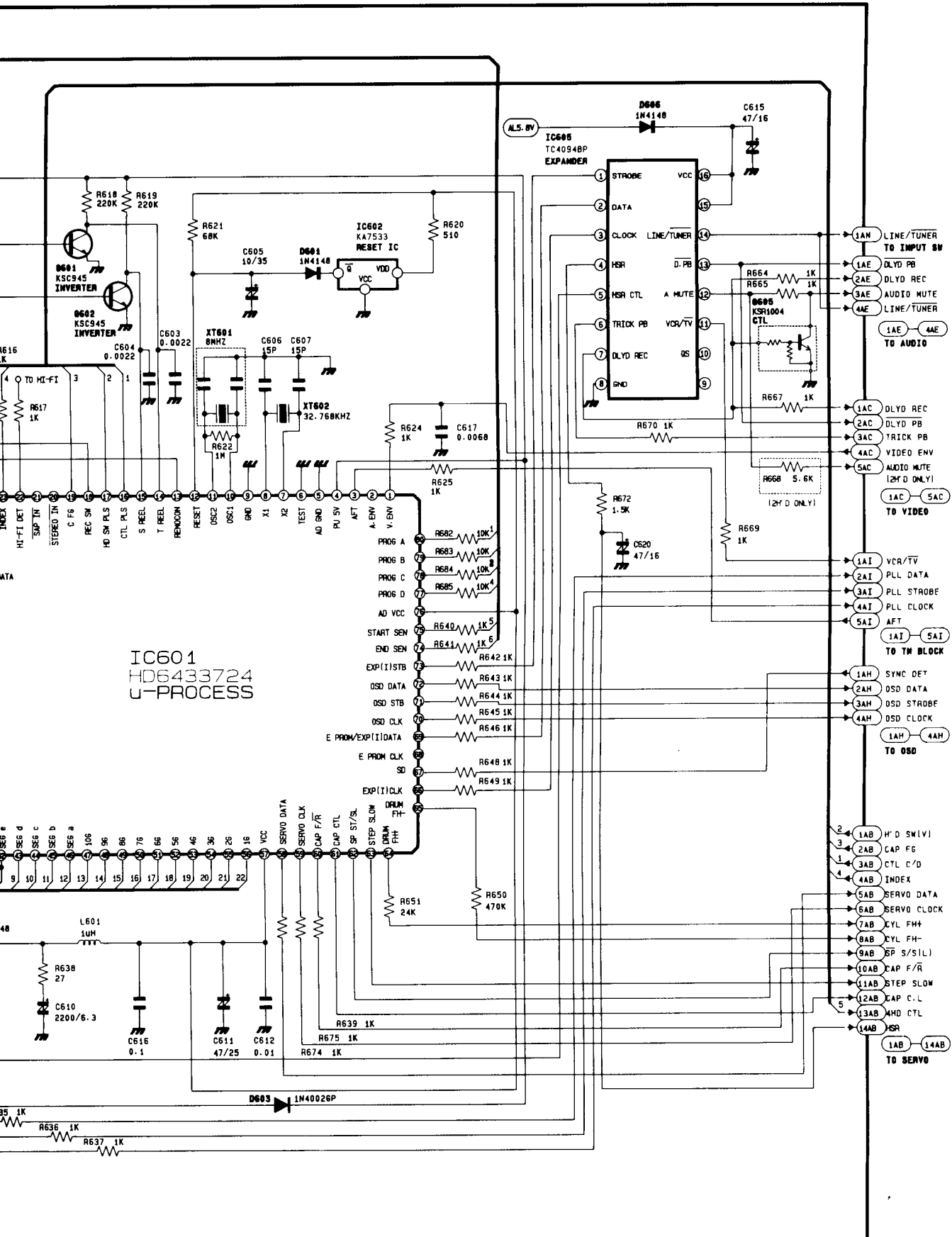


SYSTEM CONTROL

8-5. System Control Schematic



SYSTEM CONTROL

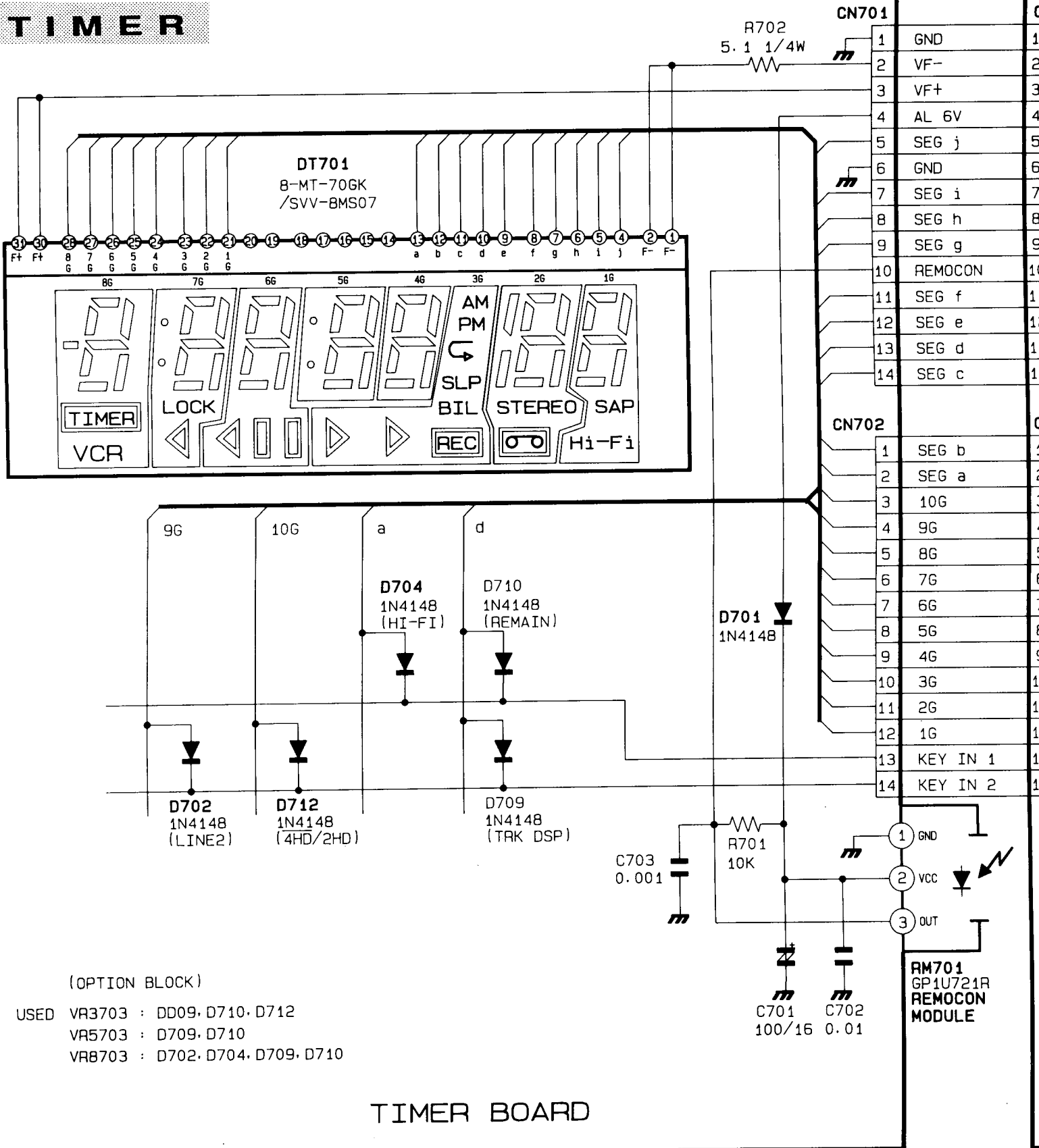


IC601
HD6433724
U-PROCESS

NOTE
Do not use the part number shown on this drawing for ordering. The correct part number is shown in the parts list. And may be slightly different or amended since this drawing was prepared.

SPECIAL NOTE
All integrated circuits and many other semiconductor devices are electrostatically sensitive and therefore require the special handling techniques described under the "electrostatically sensitive (ES) devices" section of this service manual.

TIMER



TIMER BOARD

MAIN BOARD

TIMER

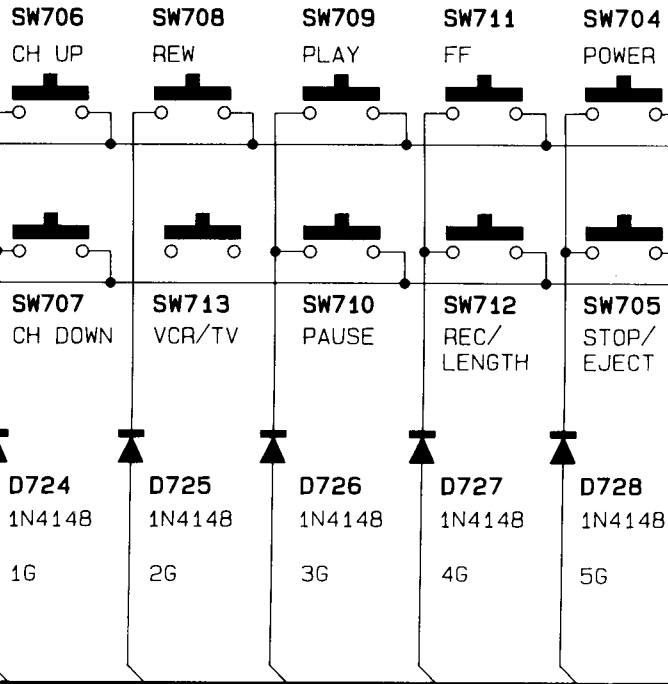
CN601

CN602

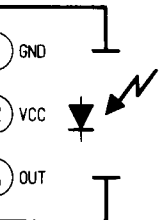
- 1 GND
- 2 VF-
- 3 VF+
- 4 AL 6V
- 5 SEG j
- 6 GND
- 7 SEG i
- 8 SEG h
- 9 SEG g
- 10 REMOCON
- 11 SEG f
- 12 SEG e
- 13 SEG d
- 14 SEG c

- 1 SEG b
- 2 SEG a
- 3 10G
- 4 9G
- 5 8G
- 6 7G
- 7 6G
- 8 5G
- 9 4G
- 10 3G
- 11 2G
- 12 1G
- 13 KEY IN 1
- 14 KEY IN 2

- 1AF REMOCON
- 2AF AL 6V
- 3AF VF -
- 4AF VF +
- 5AF KEY IN 1
- 6AF KEY IN 2
- 7AF SEG j
- 8AF SEG i
- 9AF SEG h
- 10AF SEG g
- 11AF SEG f
- 12AF SEG e
- 13AF SEG d
- 14AF SEG c
- 15AF SEG b
- 16AF SEG a
- 17AF 10G
- 18AF 9G
- 19AF 8G
- 20AF 7G
- 21AF 6G
- 22AF 5G
- 23AF 4G
- 24AF 3G
- 25AF 2G
- 26AF 1G



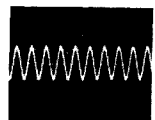
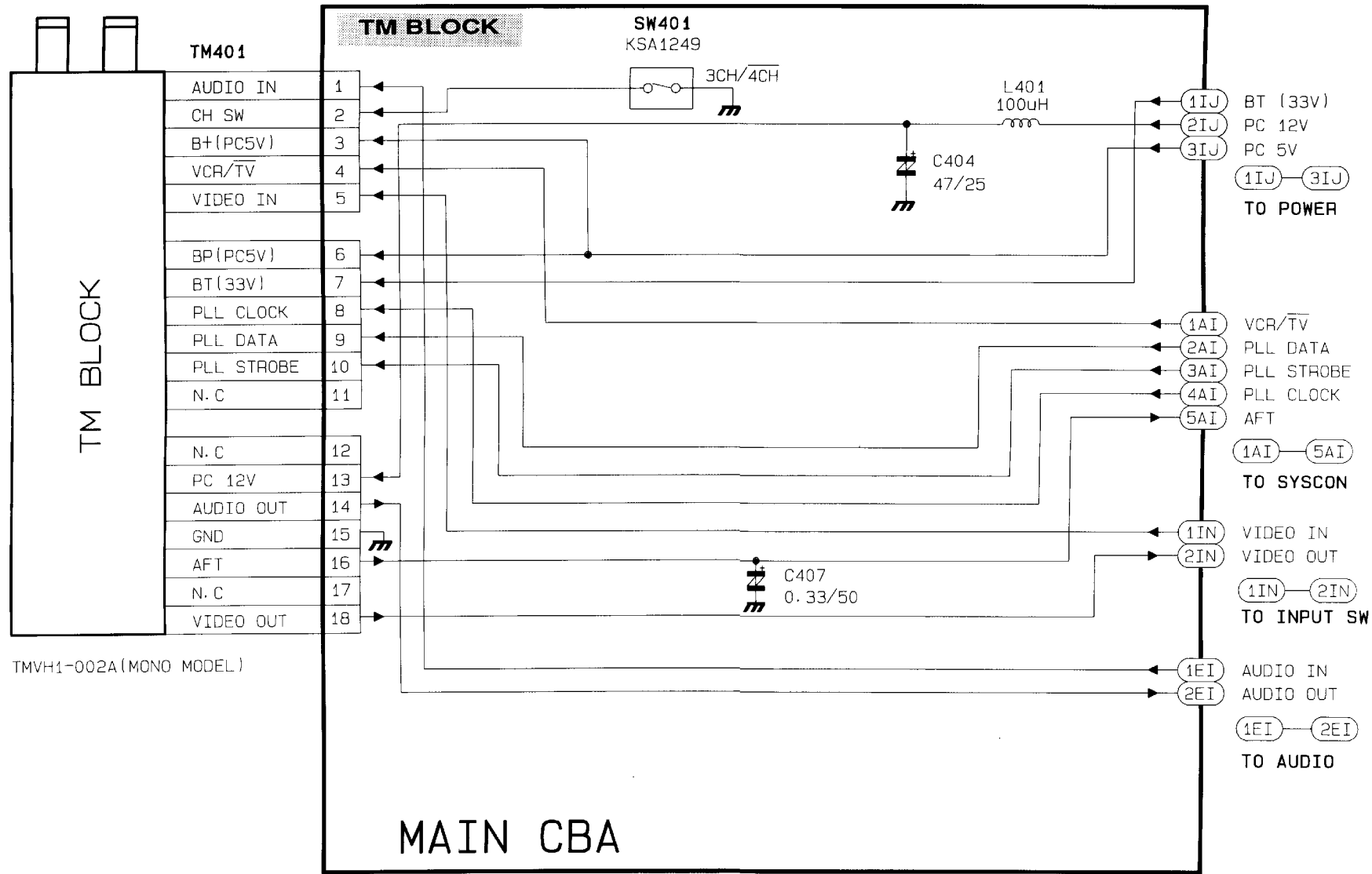
(1AF - 26AF)
TO SYSCON



RM701
GP1U721R
REMOCON
MODULE

SPECIAL NOTE
All integrated circuits and many other semiconductor devices are electrostatically sensitive and therefore require the special handling techniques described under the "electrostatically sensitive (ES) devices" section of this service manual.

NOTE
Do not use the part number shown on this drawing for ordering. The correct part number is shown in the parts list. And may be slightly different or amended since this drawing was prepared.



TM401-14
1.1Vp-p(5.0VDC)
REC

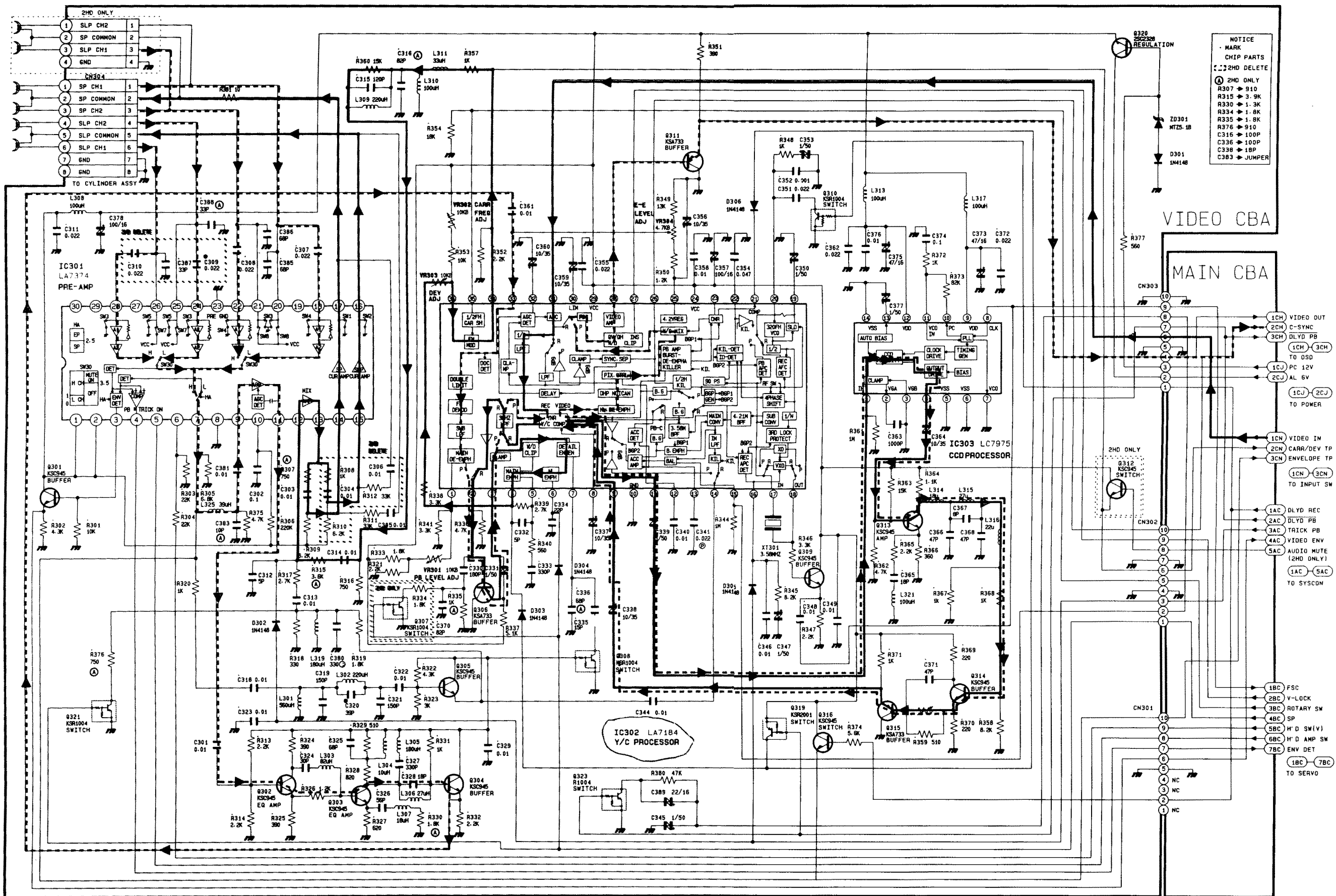


TM BLOCK-18
1.0Vp-p(6.5VDC)
REC

NOTE
Do not use the part number shown on this drawing for any component unless the number is shown in the parts list. Also note that the part number may be slightly different or abbreviated since this drawing was prepared.

SPECIAL NOTE
All integrated circuits and many other semi-conductors are sensitive to electrostatic discharge (ESD). To avoid damage to these devices, please refer to the "Electronically Sensitive (ES) Devices" section of this service manual.

TMVH1-002A(MONO MODEL)



- NOTICE
 MARK
 CHIP PARTS
 2ND DELETE
- Ⓐ 2ND ONLY
 - R307 → 910
 - R315 → 3.9K
 - R330 → 1.3K
 - R334 → 1.8K
 - R335 → 1.8K
 - R376 → 910
 - C316 → 100P
 - C336 → 100P
 - C338 → 18P
 - C383 → JUMPER

VIDEO CBA

MAIN CBA

- 1CH VIDEO OUT
- 2CH C-SYNC
- 3CH DLYD PB
- 1CH (3CN) TO OSD
- 1CU PC 12V
- 2CU AL 6V
- 1CU 2CU TO POWER

- 1CN VIDEO IN
- 2CN CARR/DEV TP
- 3CN ENVELOPE TP
- 1CN 3CN TO INPUT SW

- 1AC DLYD REC
- 2AC DLYD PB
- 3AC TRICK ON
- 4AC VIDEO ENV
- 5AC AUDIO MUTE (2HD ONLY)
- 1AC 5AC TO SYSCON

- 1BC FSC
- 2BC V-LOCK
- 3BC ROTARY SW
- 4BC SP
- 5BC H'D SW(V)
- 6BC H'D AMP SW
- 7BC ENV DET
- 1BC 7BC TO SERVO

CN301

CN302

CN303

CN304

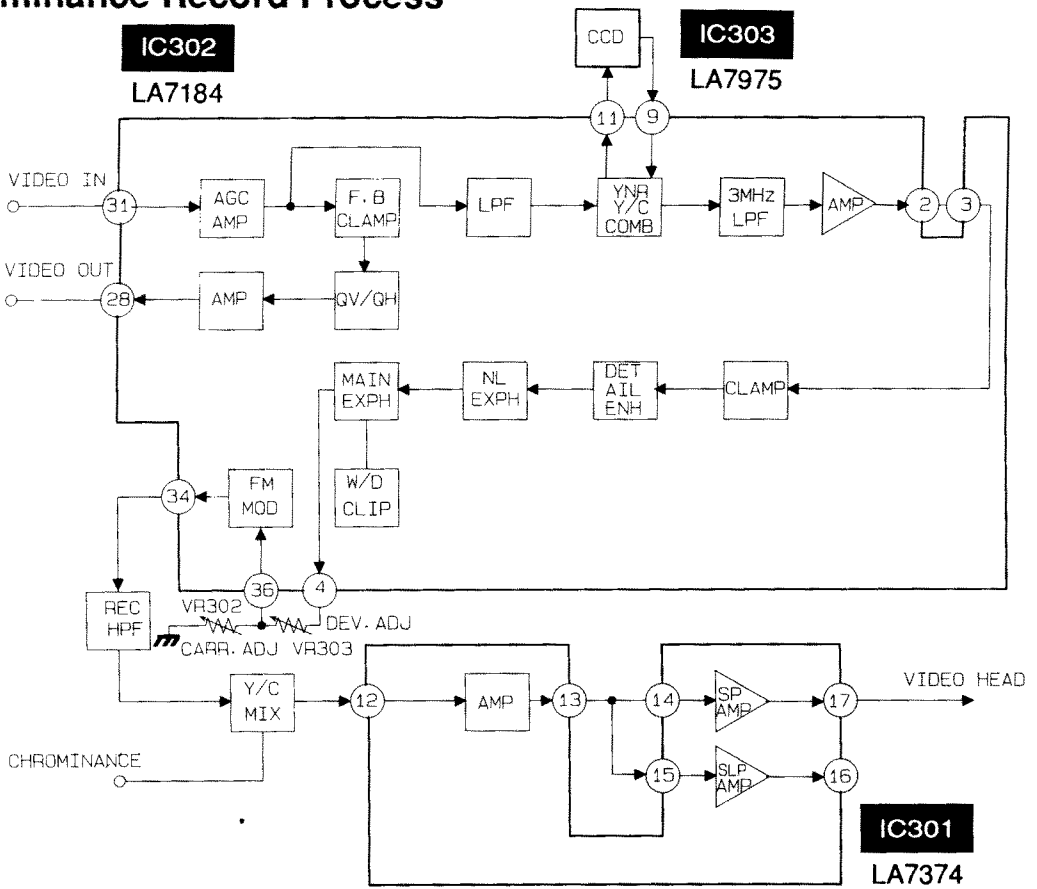
CN305

CN306

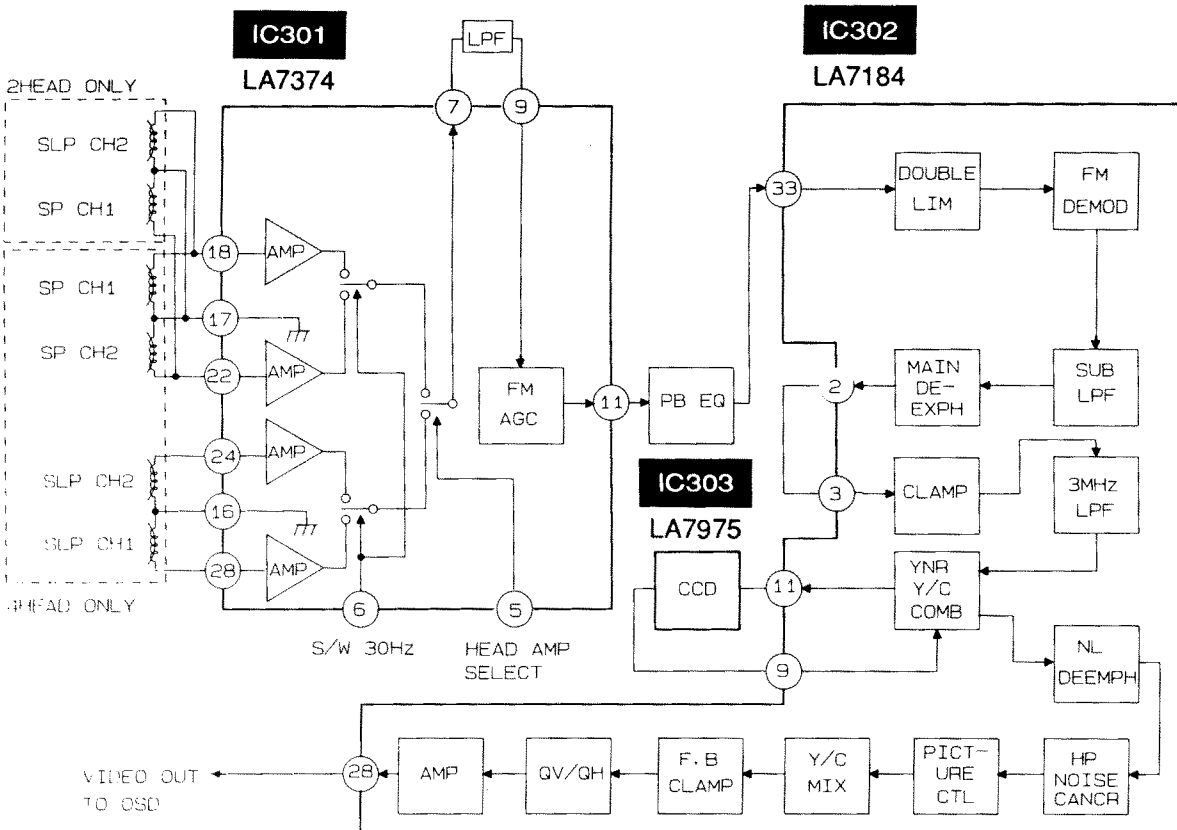
CN307

CN308

7-7. Luminance Record Process



7-8. Luminance Playback Process



2-2. TAPE TRANSPORT MECHANISM IDENTIFICATION

2-2-1. Top View

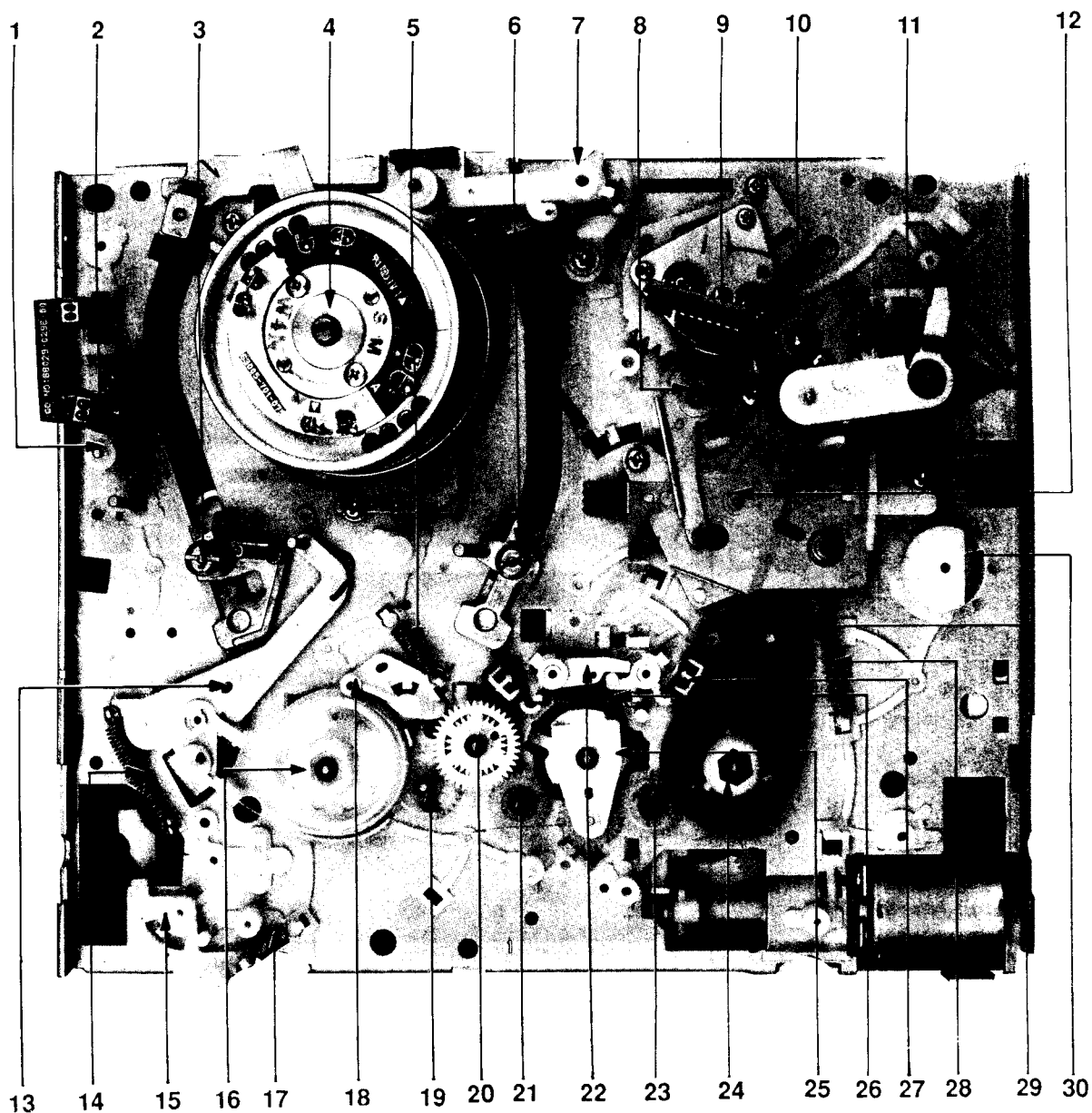


Fig. 8 Tape Transport Mechanism - Top View

- | | | |
|--------------------------------|-----------------------|--------------------------|
| 1. SUPPLY ROLLER | 11. PINCH ROLLER UNIT | 21. GEAR RELAY S1 |
| 2. F/E HEAD ASS'Y | 12. UNIT DRIVE PINCH | 22. BRAKE MAIN "L" ASS'Y |
| 3. P.B & G.R (L) | 13. ARM TENSION ASS'Y | 23. GEAR RELAY "T" |
| 4. CYLINDER ASS'Y | 14. SPRING TENSION | 24. REEL DISK "R" |
| 5. S/P BRAKE SUB "L" | 15. LEVER REC S/W | 25. IDLER SUB ASS'Y |
| 6. P.B & G.R (R) | 16. REEL DISK "L" | 26. S/P BRAKE MAIN |
| 7. HD CLEANER ASS'Y (OPTIONAL) | 17. S/P RECORD S/W | 27. BRAKE MAIN "R" ASS'Y |
| 8. REVIEW ARM ASS'Y | 18. BRAKE SUB "L" | 28. S/P BRAKE SUB "R" |
| 9. A/C HEAD ASS'Y | 19. GEAR RELAY S3 | 29. BRAKE SUB "R" ASS'Y |
| 10. CAPSTAN SHAFT | 20. GEAR RELAY S2 | 30. GEAR EJECT DRIVE |

2-2-2. Bottom View

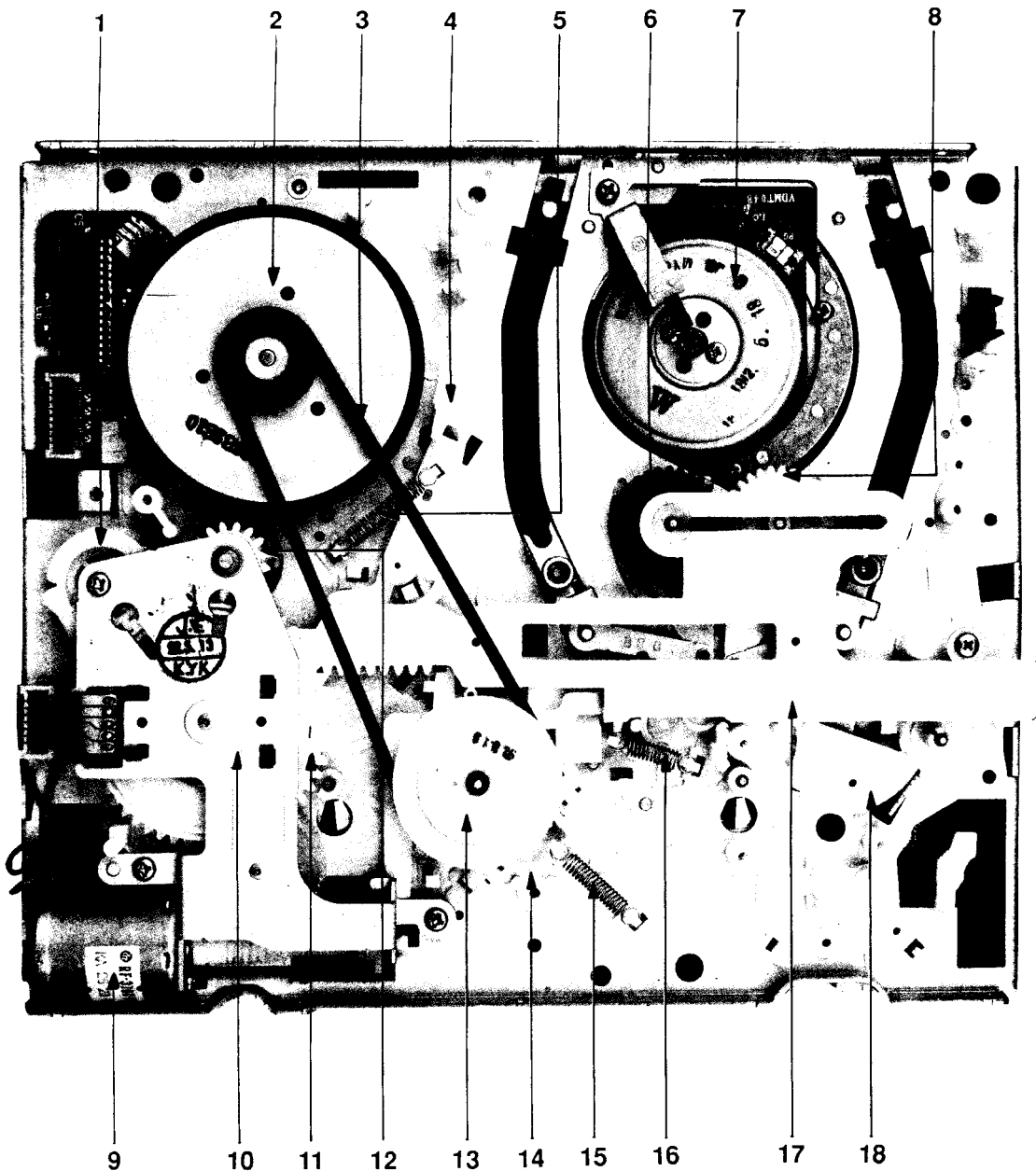
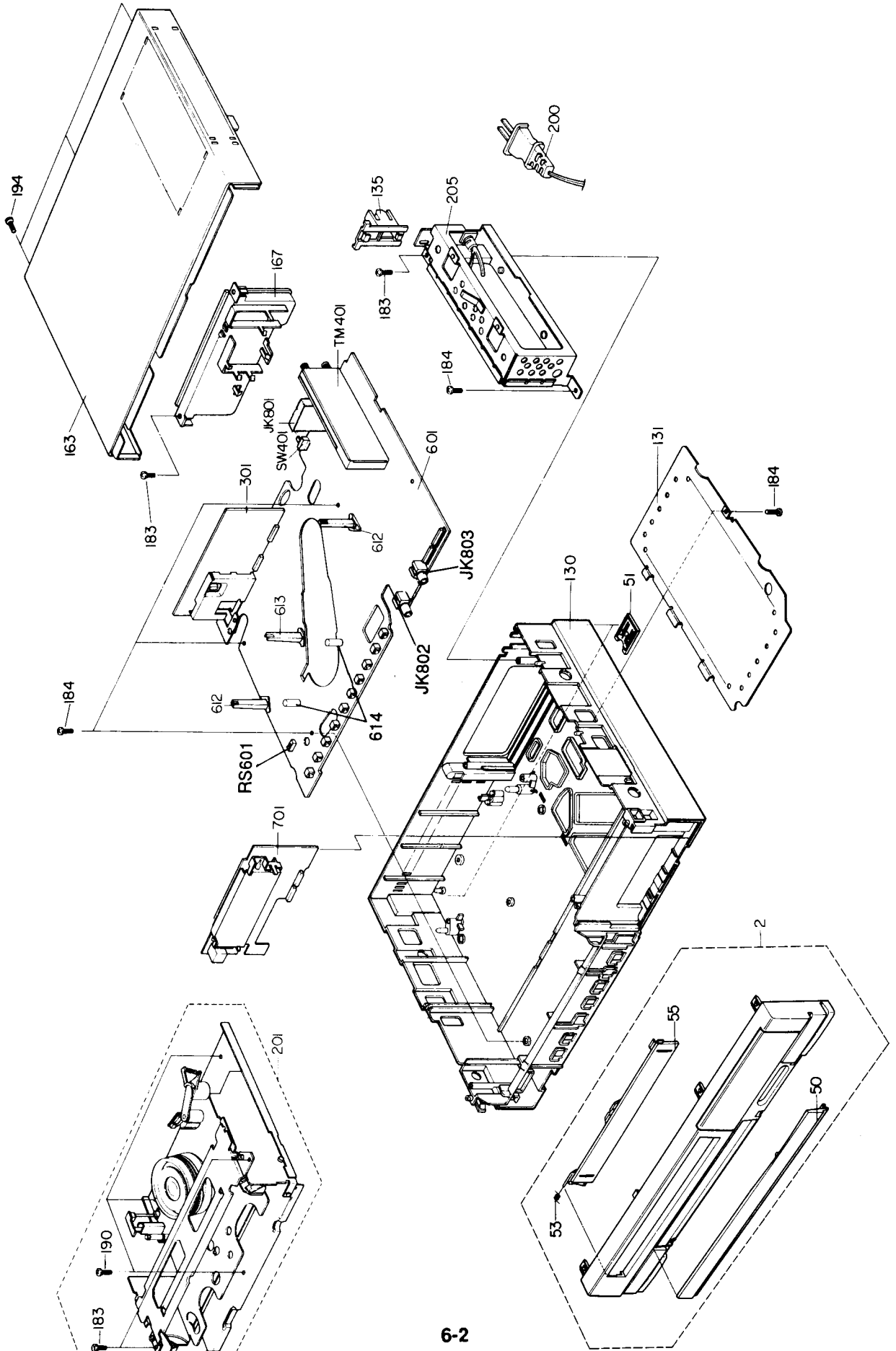


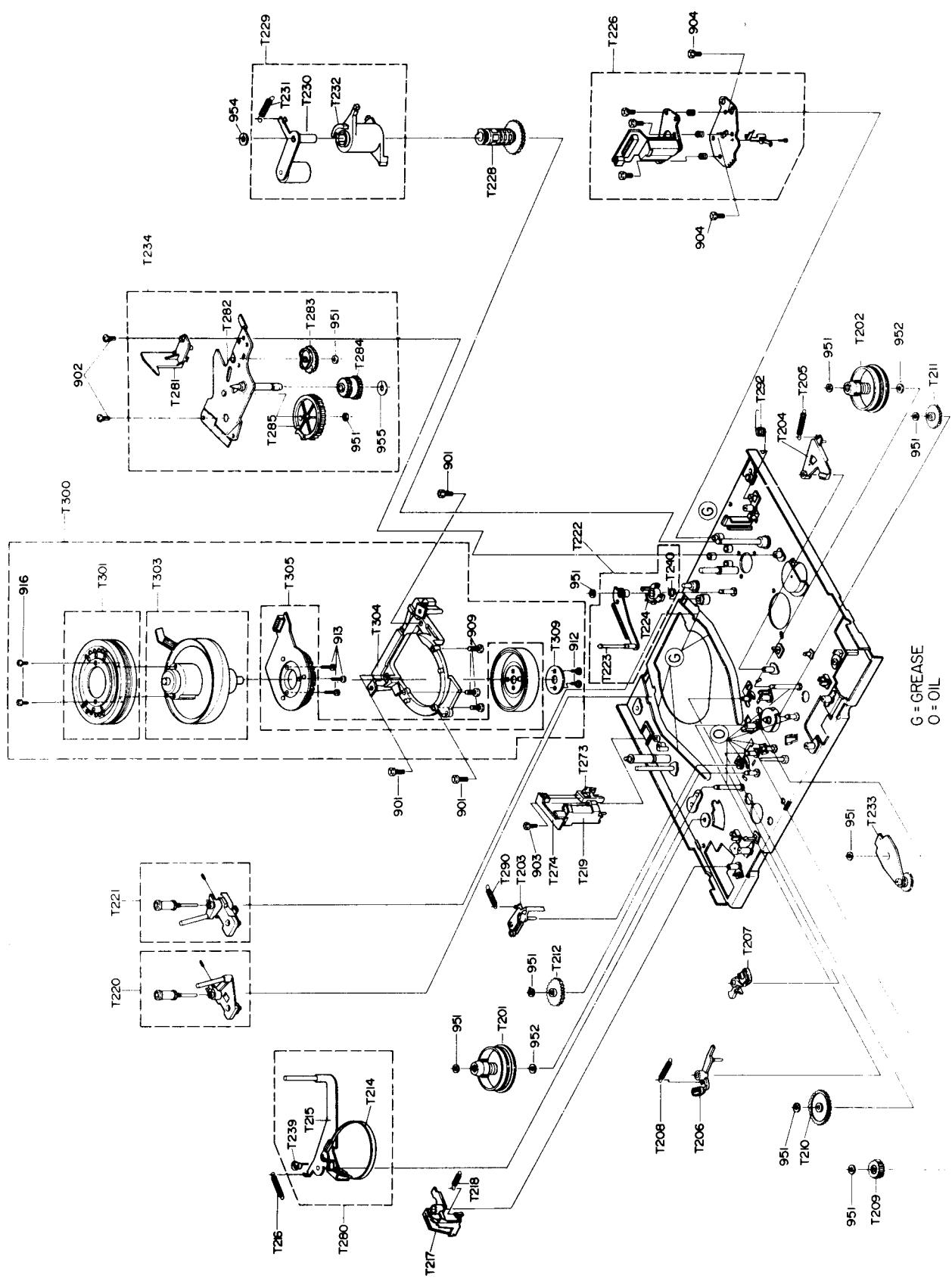
Fig. 9 Tape Transport Mechanism - Bottom View

- | | |
|----------------------|---------------------------|
| 1. GEAR EJECT DRIVE | 10. LOADING UNIT ASS'Y |
| 2. MOTOR D/D CAPSTAN | 11. GEAR MASTER |
| 3. BELT CAPSTAN | 12. GEAR RELAY PINCH |
| 4. BRAKE D/D CAPSTAN | 13. CLUTCH ASS'Y |
| 5. S/P BRAKE CAPSTAN | 14. LEVER SHIFT |
| 6. GEAR LOADING "R" | 15. S/P BRAKE SUB "R" |
| 7. CYLINDER MOTOR | 16. S/P RELEASE BRAKE |
| 8. GEAR LOADING "L" | 17. SLIDE MAIN |
| 9. MOTOR LOADING | 18. LEVER TENSION CONTROL |

6-1. Instrument Assembly

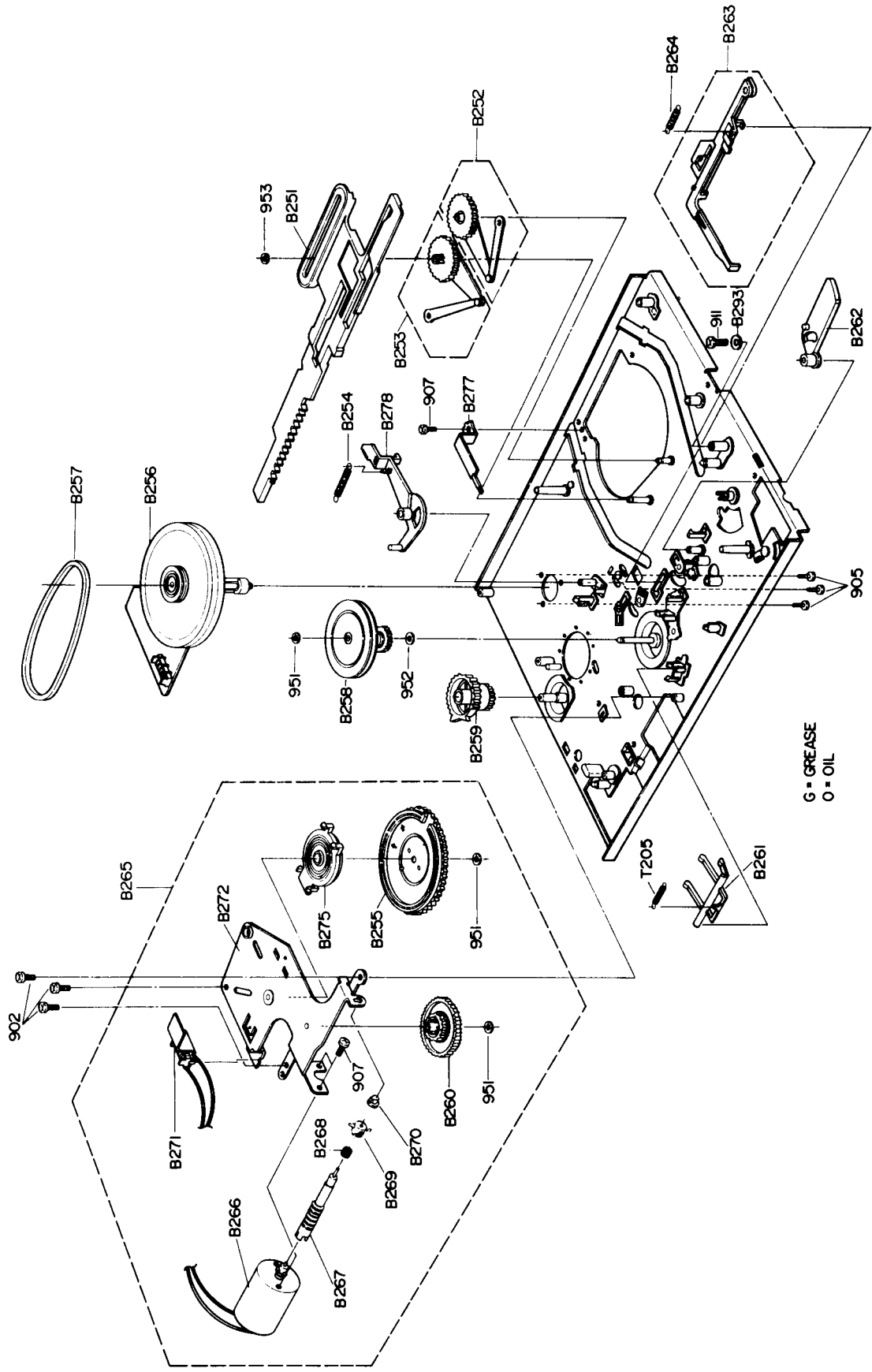


6-2. Mechanical Parts (1) ; Top View

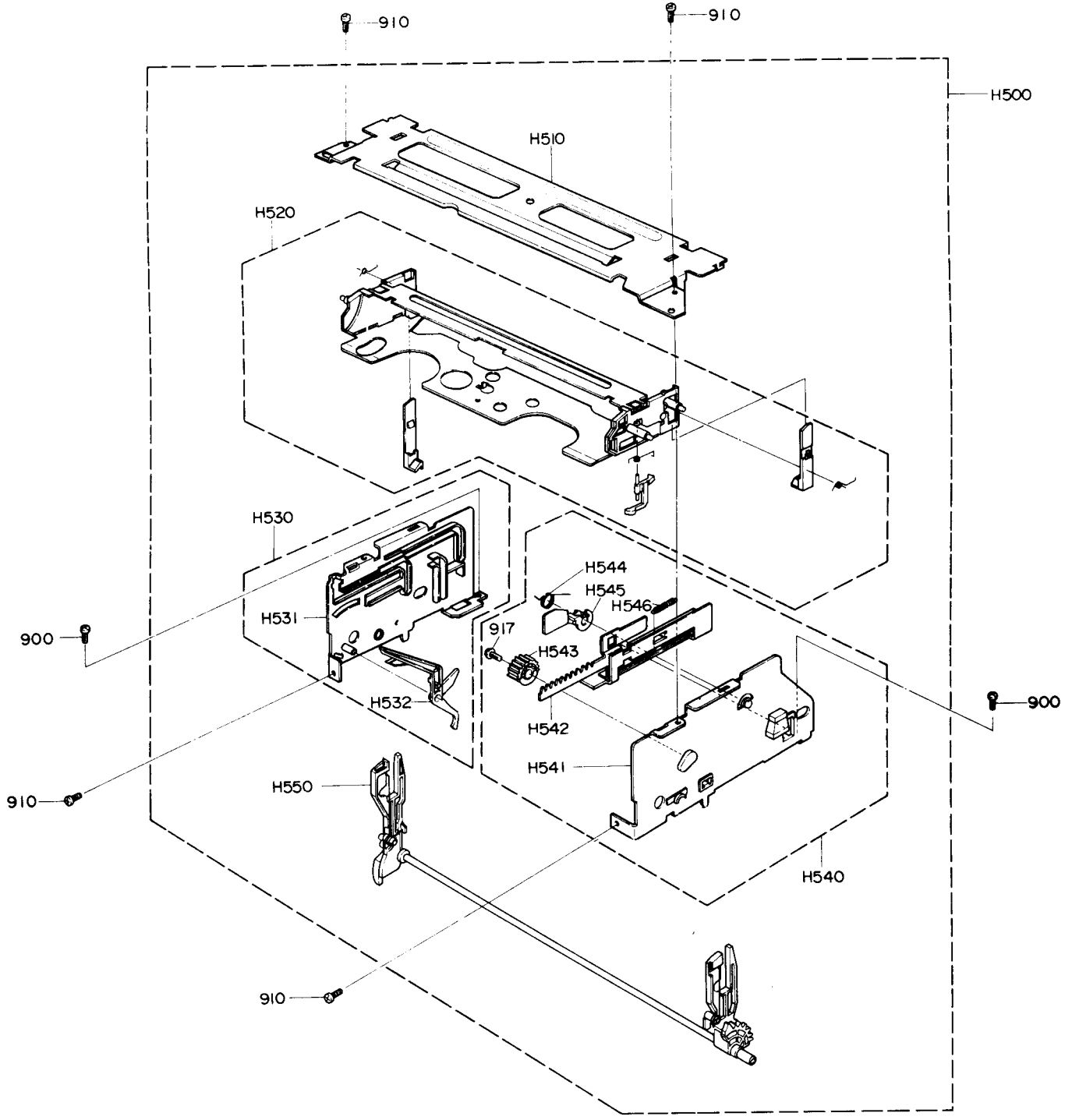


G = GREASE
O = OIL

6-3. Mechanical Parts (2) ; Bottom View



6-4. Housing Assembly



LO-NO.	PART-NO.	SPECIFICATION:DESCRIPTION
130	69000-592-310	ASSY PART FRAME;HIPS 94V0 GRAY
131	64082-0091-00	BOTTOM COVER;SECC C20 T0.5
135	61413-0034-00	BUSH-CORD;PP 94V0 ID5.2 L44
163	62002-0010-00	CABINET-TOP;PVC +SECC T0.6/0.15 GRY
167	66002-0004-00	CONNECTOR BOARD-MONO;HIPS94V0 T2 UL/CSA
2	69000-301-363	ASSY-PANEL FRONT;HIPS94V0 VR3703
2	69000-301-364	ASSY-PANEL FRONT;HIPS94V0 VR5703
200	A6006-0080	POWER-CORD;EP2 SPT-2/#181.8MT BLK
201	DX3WB-R	FULL DECK ASSY;WINNER 2
205	69097-123-114	REGULATOR ASSY;W-2 NTSC SMPS 120V/60HZ
301	69343-401-201	ASSY VIDEO;W-2 NTSC 2H'D MONO
301	69343-401-202	ASSY VIDEO;W-2 NTSC 4H'D
50	64043-0066-09	DOOR-FRONT;ABS94HB DARK GRY VR3703
51	63003-0012-00	LEG-DECORATION;VT-355/SEA ABS94HB
53	62724-0090-00	MASK SPRING;SUS304
55	64043-0067-06	DOOR-HOUSING;ACRYL T2.5 GRY VR3703
601	69357-401-204	ASSY MAIN;W-2 NTSC 2H'D MONO VR3703
601	69357-401-205	ASSY MAIN;W-2 NTSC 4H'D MONO VR5703
612	63322-0173-00	HOLDER-TR;POM BLK
613	63322-0174-00	HOLDER-LED;POM BLK
614	63323-0060-00	HOLDER-PHOTO INTER;POM M90-44 H14.1 WHT(WINNER)
701	69373-401-211	ASSY TIMER;W-2 NTSC 2H'D VR3703
701	69373-401-212	ASSY TIMER;W-2 NTSC 4H'D VR5703
JK801	A3040-0066	JACK-PIN;PI2 DSP-9113 4P
RS601	66209-0008-00	SWITCH-REC;MPU 10105 MMBO 5V
SW401	A3006-0009	SW-SLIDE;KSA 1249
TM401	67179-0118-00	UNIT-TM BLOCK;TMVH1-011A(MONO)
183	60504-0040-00	SCREW-TAP TITE;BH + TB 3 L12 SWRCH18A ZPC3 YEL
184	67158-230-120	SCREW-TAP TITE BH;3X10 FE FZY
190	67158-240-121	SCREW BH;2-4*12 FE FZY
194	67158-240-163	SCREW-TAP BH;2-4X16 FE FZB

LO-NO	PART-NO	SPECIFICATION DESCRIPTION
-------	---------	---------------------------

T201	61574-0010-01	REEL DISK(L) ASSY;X3RL03032A
T202	61574-0012-01	REEL DISK(R) ASSY;X3RL 03031A
T203	66603-620-110	BRAKE SUB L;PBT#3300 NAT
T204	62614-0004-01	BRAKE SUB(R) ASSY;X3RL02021A
T205	66674-652-610	S/P BRAKE SUB "R";SUS304WPB
T206	62614-0003-01	BRAKE MAIN(L) ASSY;X3RL02022A
T207	62614-0002-01	BRAKE MAIN(R) ASSY;X3RL02021A
T208	66674-652-510	S/P BRAKE MAIN;SUS304 WPB
T209	61474-0061-01	GEAR RELAY S1;PEBAX #6333
T210	61474-0062-01	GEAR RELAY S2;POM(M90-44) NAT
T211	61474-0060-01	GEAR RELAY T;PEBAX #6333
T212	61474-0063-01	GEAR RELAY S3;PEBAX #6333
T214	62024-0005-01	BAND TENSION ASSY;X3RL04051A
T215	69000-290-579	ARM TENSION ASSY;SECC+SUS
T216	66674-652-910	SPRING TENSION;SUS304
T217	61533-0064-00	LEVER-REC S/W;POM M90-44 H12.1 NAT(WINNER)
T218	62724-0075-00	SPRING-RECORD S/W;ES SUS304 P10.3 D3.1 L16
T219	64079-700-454	HEAD MAGNETIC F/E;VTR-1X2ERS11-089
T220	69000-291-035	ASSY-P.B & G.R(L);X-3
T221	69000-291-036	ASSY-P.B & G.R(R);X-3
T222	69000-291-004	FULL REVIEW ARM ASSY;X-3
T223	61544-0032-00	ARM-REVIEW ASSY;SECC+SUS303C+C3604BD
T224	61473-0059-01	GEAR REVIEW;POM(M90-44) NAT
T226	69000-291-032	A/C HEAD ASSY;X-3(WINNER)
T228	61472-0054-01	GEAR ESCALATOR;POM(M90-44)
T229	61523-0021-01	PINCH ROLLER UNIT;X-3A
T230	61543-0040-01	ARM PINCH ASSY;SECC 1.6+SUS+C3604BD
T231	62724-0062-01	S/P PINCH ROLLER;SUS304-WPB
T232	63323-0043-01	HOLDER ESCALATOR;PC 30%
T233	61604-0003-01	IDLER SUB ASSY;X3RL 06061A
T234	67179-0069-01	UNIT-DRIVE PINCH;X-3
T239	66654-617-810	CAM TENSION;POM(M90-44) WHT
T240	62724-0117-00	SPRING-REVIEW;CS STS304/WPB P10.45 D5 L5.5
T273	B6010-0248	CONNECTOR-WAFER;TMC-E02P-D1 BLK
T274	66029-0296-00	P.C.B-F/E HEAD;1V0 T1.6 W29 L180 VT-350R
T280	69000-290-560	ASSY FULL ARM TENSION;SECC+SUS+POM+FELT
T281	63073-0015-00	SUPPORTER-LID OPENNER;POM(M90-44) T2 X-3
T282	63012-0098-00	BRAKET-PINCH DRIVE;SECC T1.0
T283	61473-0058-01	GEAR CAM PINCH;POM(OL-10)
T284	61473-0056-01	GEAR RELAY PINCH;PBT #2002
T285	61473-0057-01	GEAR CAM DRIVE;POM(OL-10)
T290	62724-0101-00	SPRING-BRAK SUB L;SUS304 P10.3 D3 L20
T292	62724-0082-01	SPRING-ESCALATOR;PS SUS304-WPB P11 D5 L30
T300	69020-124-001	CYLINDER ASS'Y;CX4-S2N(VR3703)
T300	69020-124-002	CYLINDER ASS'Y;CX4-D4N(VR5703)
T301	69000-400-003	UPPER CYLINDER ASS'Y;CX4-S2N(VR3703)
T301	69000-400-005	UPPER CYLINDER ASS'Y;CX4-D4N(VR5703)
T303	69000-291-083	LOWER CYLINDER ASS'Y;CX4-S2N(VR3703)
T303	69000-291-084	LOWER CYLINDER ASS'Y;CX4-D4N(VR5703)
T304	62201-0051-00	BASE CYLINDER;ADC 12 WHT X-3W
T305	66823-0043-00	MOTOR CYLINDER;DMVDMT04C
T309	66124-601-710	RETAINER RUBBER ASS'Y;SECC+SILICONE
901	60509-0064-00	SCREW-MACHINE;BH FP M3 L8 FE FZY WS
902	60509-0063-00	SCREW-TAPPING;BH B M3 L8 FE FZY
904	60509-0059-00	SCREW-MACHINE;BH FP M2.6 L6 FE FZY WSP
909	A0100-0144	SCREW-MACHINE;BH UP M2.6 L8 SWRCH 10A ZPC2 YEL
912	67094-604-710	SCREW-DAMPER;M2.0x7.0 SWCM 10(MFZN2-C)
913	67008-123-101	SCREW-PH;+M2.3x10 FE FZY
916	67004-126-086	SCREW-BH;+2.6x8 WSWZ/70391398
951	67334-600-310	WASHER SLIT;PI2.5XPI5XT0.5
952	67304-103-410	WASHER-PLAIN;3.2X6X0.5 POLYSLIDER
954	60534-0024-00	WASHER-SLIT;ID3 OD8 T0.5 POLYSLIDE
955	60534-0019-00	WASHER-SLIT;A ID5 OD9 T0.5 POLYSLIDE

LG-NO.	PART-NO.	SPECIFICATION DESCRIPTION
B251	66602-603-510	SLIDE MAIN;PBT 6300T(NAT)
B252	61473-0047-01	GEAR LOADING "L" ASS'Y;X3RL
B253	61473-0045-01	GEAR LODAING "R" ASS'Y;X3RL
B254	66674-652-810	S/P BRAKE CAPSTAN;SUS304 WPB
B255	61472-0055-02	GEAR MASTER;POM(M90-44)
B256	66829-0024-03	MOTOR-D/D CAPSTAN;DMVCMC05C 12V FG2
B257	65274-603-910	BELT CAPSTAN;CY-65
B258	61453-0001-01	CLUTCH ASSY;X3RL10101A
B259	61473-0051-02	GEAR-E/J DRIVE;KOPER(KN333G30) BLK
B260	61473-0053-02	GEAR-WORM WHEEL;NYLON12
B261	66603-619-510	LEVER SHIFT;POM(M90-44)
B262	61534-0040-01	LEVER TENSION CONTROL;POM(M90-44) NAT
B263	61643-0016-01	SLIDE I.B ASSY;X3RL02021A
B264	62724-0129-00	SPRING-RELEASE BRAKE;SUS304 WPB
B265	67179-0068-02	UNIT-L/D;X-3W
B266	66824-0013-01	L/D MOTOR ASSY;RF370C+POM
B267	69000-291-056	WORM LOADING ASSY;POM+SUS
B268	62724-0061-01	S/P CLUTCH;SUS304-WPB
B269	61504-0006-01	PULLEY RELEASE;POM(M90-44)
B270	63324-0042-01	HOLDER-SHAFT;POM(M90-44)
B271	69000-291-054	CON. WAFER ASSY;WAFER+FPC+LEAD WIRE
B272	63011-0097-00	BRACKET-LOADING;SECC E20/20(T1.2)
B275	66203-0007-01	SWITCH-PROGRAM;SR ZZOBO38A(J-ALPS)
B275	66203-0007-02	SWITCH-PROGRAM;SMRS30A(K-ALPS)
B277	63374-0002-00	BRUSH-HEAD ASSY;SECC+CARBON
B278	62614-0005-01	BRAKE DD CAP ASSY;X3RL02021A
B295	60504-0070-00	SCREW-TAP TITE;PWH + B M3 L8 SWCH1018 YEL
T205	66674-652-610	S/P BRAKE SUB "R";SUS304 WPB
902	60509-0063-00	SCREW-TAPPING;BH B M3 L8 FE FZY
905	60504-0044-00	SCREW-TAPPING;BH + 3 M2.6 L7.5 SWRCH18A ZPC3 YEL
906	60509-0058-00	SCREW-MACHINE;BH FP M3 L4 SWRCH10A YEL ROBOT
907	67004-100-710	SCREW-PH;+M3X4 FE FZY
951	67334-600-310	WASHER SLIT;PI2.5XPI5XT0.5
952	67304-103-410	WASHER-PLAIN;3.2X6X0.5 POLYSLIDER
953	67334-601-830	SLIT WASHER;2.5X9X0.5(RED)

LO-NO.

PART-NO.

SPECIFICATION DESCRIPTION

H500	62052-0004-02	HOUSING-F/L ASSY;X3FL2931OC
H510	62202-0029-00	CHASSIS-UPPER;SECC E20/20 T1.2
H511	62654-0008-00	GROUND-PLATE TOP;SUS304 T0.3 HV350
H520	63322-0044-00	HOLDER-CASS ASSY;X3FL11120A
H530	62203-0027-00	CHASSIS-SIDE "L" ASS'Y;X3FL02020A
H531	62203-0028-00	CHASSIS-SIDE "L" OUTSERT;SECC T1.2+LUCEL/KEPITAL
H532	61533-0043-00	LEVER-DOOR;LUCEL-N109-LD/KEPITAL F20-03
H540	62203-0025-01	CHASSIS-SIDE "R" ASS'Y;X3FL08080A
H541	62203-0026-01	CHASSIS-SIDE "R" OUTSERT;SECC T1.2+LUCEL/KEPITAL
H542	61474-0080-01	GEAR-RACK ASSY;SECC E20/20 T1.6 SWPB
H543	61473-0064-01	GEAR-JOINT;LU;LUCEL N109-LD/KEPITAL F20-03
H544	62724-0067-01	SPRING-LEVER I;LUCEL N109-LD/KEPITAL F20-03
H545	61533-0042-01	LEVER-DAMPER;TS PW2 PI0.3 L9
H546	62724-0112-00	SPRING-RACK GEAR;ES SWPB PI0.5 D3.5
H550	61043-0025-00	SHAFT ARM ASSY;PW2 PI0.3 L9
900	60509-0061-00	SCREW-MACHINE;BH FP M3 L6 FE FZY
910	60509-0062-00	SCREW-TAP TITE;BH + TS M3 L6 FE FZY
917	67154-101-420	SCREW-TAP PWH;2S-3X8 FE FZY

5-2. ELECTRICAL REPLACEMENT PARTS LIST

LO NO PART NO DESCRIPTION SPECIFICATION

69099-629-116 ASSY REMOCON;NR2943(VR3703/SEA)
69099-629-115 ASSY REMOCON;NR2943(VR5703/SEA)

205 69097-123-114 REGULATOR ASSY;NTSC SMPS 120V/60HZ

BD1	B4104-0065	DIODE-RECT.S1WB60 600V 1A BRIDGE GE
C01	A1100-0536	C-CERAMIC;CK5 45 B 400V 101-KSC B 2G 12BS
C02	A1100-0423	C-CERAMIC;CK45B 400V B 103Z 16/SCE 2G 16BS
C03	A1100-0580	C-CERAMIC;CK 45 B 400V T 3300-M 2G332M16BS
C04	A1104-0396	C-ELEC;CE 04 H 200V T 4R7-M KME/STX -25/105
C05	A1104-0379	C-ELEC;CE 04 F 200V T 820-M STX/KME -40/105
C06	61507-121-411	C-POLYESTER;CQ921M TAPG 100V 332-J
C07	61507-121-941	C-POLYESTER;CQ921M TAPG 50V 243-J
C09	61627-204-220	C-ELEC;CEAP 16V 22M NP(6X11)
C11	A1104-0383	C-ELEC;CE 04 F 10V T 101-M STX/KME -40/105
C12	61407-105-101	C-CERAMIC;TEMP.CC45 CH TAPG 25V 0.1-M
C13	61637-508-470	C-ELEC;CEAP 50V 47M S G(6.3X11)
C14	A1104-0480	C-ELEC;CE 04 F 16V T 471-M STX/KME -40/105
C15	A1104-0377	C-ELEC;CE 04 F 16V T 221-M STX/KME -40/105
C16	A1104-0290	C-ELEC;CE04C 25V 1000M STX10X20(105C)
C18	A1104-0378	C-ELEC;CE 04 F 35V T 331-M STX/KME -40/105
C19	A1104-0373	C-ELEC;CE 04 F 25V T 331-M STX/KME -40/105
C20	A1104-0374	C-ELEC;CE 04 F 50V T 4R7-M STX/KME -40/105
C21	61417-110-224	C-CERAMIC;CK45B TAPG 500V 220-K
C23	A1100-0450	C-CERAMIC;CK45B 400V 222M 12/SC E 2G 12BS
C25	61507-121-490	C-POLYESTER;CQ921M TAPG 100V 183-K
C36	61507-121-470	C-POLYESTER;CQ921M TAPG 100V 103-K
CN1	A6010-0407	CONNECTOR-WAFER.28-5085-009-000 BLK
D01	B4102-0025	DIODE-FR;EG01W 400V 0.7A 0.1US T
D02	62169-406-482	DIODE:1N4148 SAMSUNG
D03	62169-406-482	DIODE:1N4148 SAMSUNG
D04	B4102-0047	DIODE-FR;ERA18-04V1 400V 800MA 0.4US T
D05	62169-406-482	DIODE:1N4148 SAMSUNG
D06	B4102-0028	DIODE-FR;RU2YXV 100V 1.5A
D07	62169-406-482	DIODE:1N4148 SAMSUNG
D08	B4102-0048	DIODE-FR;S2L20U 200V 1.5A 35NS T
D09	B4102-0047	DIODE-FR;ERA18-04V1 400V 800MA 0.4US T
D10	62169-406-482	DIODE:1N4148 SAMSUNG
D11	62169-406-482	DIODE:1N4148 SAMSUNG
F1	A3065-0124	FUSE;FSF 250V 1.6A 20MM UL/CSA
IC1	B4161-0003	PHOTO-COUPLER P.C817
IC2	A4008-0757	IC.S431C/LM431C SIP TAPG
L1	A1151-0001	COIL-LINE FILTER.BSF-2133 20MH
L2	A1160-0016	INDUCTOR:70UH-M RT BFS3565R2F
L3	B1130-0058	COIL-CHOCK.10UH K Q50F 2.52MHZ/621LY-100K=R
PT1	A1206-0022	TRANS-SWITCHING.P.85-140V S:3.3-33V UL/CSA
Q1	A4056-0027	TR-SWITCHING KSC5039F 40W 10MHZ SI/NPN
Q2	62139-301-311	TRANSISTOR;KTC 3203Y-AT(TAPG)
R01	A1004-0279	R-METAL OXIDE.RS 1 T(S) 334-J
R02	B1004-0227	R-METAL OXIDE.RS 2R 100-J/ERG2SJ101E
R03	61048-177-472	R-METAL FILM.RM 1/8 T 472-J
R04	61048-177-361	R-METAL FILM.RM 1/8 T 361-J
R05	61048-177-331	R-METAL FILM.RM 1/8 T 331-J
R06	B1004-0198	R-METAL OXIDE.RS 2W 33K-J/ERG2SJ333E
R08	B1004-0298	R-METAL OXIDE.RS 2 RT R68-J /ERX-2SJ-R68E
R09	61048-177-102	R-METAL FILM.RM 1/8 T 102-J
R10	A1006-0423	R-METAL FILM.RM 1/8 T 2.2K-F
R11	A1006-0592	R-METAL FILM.RM 1/8 T 3K-F
R13	61048-177-471	R-METAL FILM.RM 1/8 T 471-J
R14	61048-177-101	R-METAL FILM.RM 1/8 T 101-J
R17	B1004-0273	R-METAL OXIDE.RS 1 RT 620-J ERG 1SJ 621E
R18	B1004-0274	R-METAL OXIDE.RS 1 RT 300-J ERG 1SJ 301E
R20	61048-177-303	R-METAL FILM.RM 1/8 T 303-J
R21	B1002-0013	R-COMPOSITION ERC12GK185V
R22	B1004-0198	R-METAL OXIDE.RS 2W 33K-J/ERG2SJ333E
ZD3	62169-403-836	DIODE ZENER.UZ 24BH

LO NO PART NO DESCRIPTION SPECIFICATION

ZD4 62169-403-833 DIODE ZENER.UZ 5.6BH
ZD5 A4106-0068 DIODE-ZENER.UZP-18B 17/19V 20MA T
ZD6 A4106-0076 DIODE-ZENER.UZP-43B 40/46V 10MA T

701 69373-401-211 ASSY TIMER;W-2 NTSC 2HD VR3703/SEA

C701	61617-404-101	C-ELEC;CEAP 16V 100M RSS(6.3K7)
C702	61407-117-104	C-CERAMIC;AXIAL;CAX Y TAPG 16V 0.01-N
C703	61407-117-102	C-CERAMIC;AXIAL;CAX B TAPG 102-K
CN701	A6010-0404	CONNECTOR-WAFER;10-5082-014/GB120
CN702	A6010-0404	CONNECTOR-WAFER;10-5082-014/GB120
D701	62169-406-482	DIODE:1N4148 SAMSUNG
D709	62169-406-482	DIODE:1N4148 SAMSUNG
D710	62169-406-482	DIODE:1N4148 SAMSUNG
D712	62169-406-482	DIODE:1N4148 SAMSUNG
D724	62169-406-482	DIODE:1N4148 SAMSUNG
D725	62169-406-482	DIODE:1N4148 SAMSUNG
D726	62169-406-482	DIODE:1N4148 SAMSUNG
D727	62169-406-482	DIODE:1N4148 SAMSUNG
D728	62169-406-482	DIODE:1N4148 SAMSUNG
DT701	B4153-0015	DIGITRON;8MT-70GK
R701	61048-177-103	R-CARBON;RD 1/8 T 103-J
R702	A1006-0550	R-METAL FILM.RM 1/4 T 5R1-J
RM701	A1294-0015	MODULE-REMOCON;GP1U781R/ASAN 38KHZ
SW704	B3018-0012	SW-TACT;SKHVLJ/EVQP105K(7.5X9)
SW705	B3018-0012	SW-TACT;SKHVLJ/EVQP105K(7.5X9)
SW706	B3018-0012	SW-TACT;SKHVLJ/EVQP105K(7.5X9)
SW707	B3018-0012	SW-TACT;SKHVLJ/EVQP105K(7.5X9)
SW708	B3018-0012	SW-TACT;SKHVLJ/EVQP105K(7.5X9)
SW709	B3018-0012	SW-TACT;SKHVLJ/EVQP105K(7.5X9)
SW710	B3018-0012	SW-TACT;SKHVLJ/EVQP105K(7.5X9)
SW711	B3018-0012	SW-TACT;SKHVLJ/EVQP105K(7.5X9)
SW712	B3018-0012	SW-TACT;SKHVLJ/EVQP105K(7.5X9)
SW713	B3018-0012	SW-TACT;SKHVLJ/EVQP105K(7.5X9)

701 69373-401-212 ASSY TIMER;W-2 NTSC 4HD VR5703/SEA

C701	61617-404-101	C-ELEC;CEAP 16V 100M RSS(6.3K7)
C702	61407-117-104	C-CERAMIC;AXIAL;CAX Y TAPG 16V 0.01-N
C703	61407-117-102	C-CERAMIC;AXIAL;CAX B TAPG 102-K
CN701	A6010-0404	CONNECTOR-WAFER;10-5082-014/GB120-14S-TS
CN702	A6010-0404	CONNECTOR-WAFER;10-5082-014/GB120-14S-TS
D701	62169-406-482	DIODE:1N4148 SAMSUNG
D709	62169-406-482	DIODE:1N4148 SAMSUNG
D710	62169-406-482	DIODE:1N4148 SAMSUNG
D724	62169-406-482	DIODE:1N4148 SAMSUNG
D725	62169-406-482	DIODE:1N4148 SAMSUNG
D726	62169-406-482	DIODE:1N4148 SAMSUNG
D727	62169-406-482	DIODE:1N4148 SAMSUNG
D728	62169-406-482	DIODE:1N4148 SAMSUNG
DT701	B4153-0015	DIGITRON;8MT-70GK
R701	61048-177-103	R-METAL FILM.RM 1/8 T 103-J
R702	A1006-0550	R-METAL FILM.RM 1/4 T 5R1-J
RM701	A1294-0015	MODULE-REMOCON;GP1U781R/ASAN 38KHZ
SW704	B3018-0012	SW-TACT;SKHVLJ/EVQP105K(7.5X9)
SW705	B3018-0012	SW-TACT;SKHVLJ/EVQP105K(7.5X9)
SW706	B3018-0012	SW-TACT;SKHVLJ/EVQP105K(7.5X9)
SW707	B3018-0012	SW-TACT;SKHVLJ/EVQP105K(7.5X9)
SW708	B3018-0012	SW-TACT;SKHVLJ/EVQP105K(7.5X9)
SW709	B3018-0012	SW-TACT;SKHVLJ/EVQP105K(7.5X9)
SW710	B3018-0012	SW-TACT;SKHVLJ/EVQP105K(7.5X9)
SW711	B3018-0012	SW-TACT;SKHVLJ/EVQP105K(7.5X9)

LO NO	PART NO	DESCRIPTION SPECIFICATION
-------	---------	---------------------------

R604	61048-177-391	R-METAL FILM:RM 1/8 T 391-J
R605	61048-177-472	R-METAL FILM:RM 1/8 T 472-J
R606	61048-177-472	R-METAL FILM:RM 1/8 T 472-J
R607	61048-177-472	R-METAL FILM:RM 1/8 T 472-J
R608	61048-177-472	R-METAL FILM:RM 1/8 T 472-J
R609	61048-177-303	R-METAL FILM:RM 1/8 T 303-J
R610	61048-177-203	R-METAL FILM:RM 1/8 T 203-J
R611	61048-177-472	R-METAL FILM:RM 1/8 T 472-J
R612	61048-177-102	R-METAL FILM:RM 1/8 T 102-J
R613	61048-177-102	R-METAL FILM:RM 1/8 T 102-J
R614	61048-177-102	R-METAL FILM:RM 1/8 T 102-J
R615	61048-177-102	R-METAL FILM:RM 1/8 T 102-J
R616	61048-177-102	R-METAL FILM:RM 1/8 T 102-J
R617	61048-177-102	R-METAL FILM:RM 1/8 T 102-J
R618	61048-177-224	R-METAL FILM:RM 1/8 T 224-J
R619	61048-177-224	R-METAL FILM:RM 1/8 T 224-J
R620	61048-177-511	R-METAL FILM:RM 1/8 T 511-J
R621	61048-177-683	R-METAL FILM:RM 1/8 T 683-J
R622	61048-177-105	R-METAL FILM:RM 1/8 T 105-J
R624	61048-177-102	R-METAL FILM:RM 1/8 T 102-J
R625	61048-177-102	R-METAL FILM:RM 1/8 T 102-J
R626	61048-177-102	R-METAL FILM:RM 1/8 T 102-J
R627	61048-177-102	R-METAL FILM:RM 1/8 T 102-J
R628	61048-177-203	R-METAL FILM:RM 1/8 T 203-J
R629	61048-177-203	R-METAL FILM:RM 1/8 T 203-J
R630	61048-177-203	R-METAL FILM:RM 1/8 T 203-J
R631	61048-177-203	R-METAL FILM:RM 1/8 T 203-J
R632	61048-177-203	R-METAL FILM:RM 1/8 T 203-J
R635	61048-177-102	R-METAL FILM:RM 1/8 T 102-J
R636	61048-177-102	R-METAL FILM:RM 1/8 T 102-J
R637	61048-177-102	R-METAL FILM:RM 1/8 T 102-J
R638	61048-177-270	R-METAL FILM:RM 1/8 T 270-J
R639	61048-177-102	R-METAL FILM:RM 1/8 T 102-J
R640	61048-177-102	R-METAL FILM:RM 1/8 T 102-J
R641	61048-177-102	R-METAL FILM:RM 1/8 T 102-J
R642	61048-177-102	R-METAL FILM:RM 1/8 T 102-J
R643	61048-177-102	R-METAL FILM:RM 1/8 T 102-J
R644	61048-177-102	R-METAL FILM:RM 1/8 T 102-J
R645	61048-177-102	R-METAL FILM:RM 1/8 T 102-J
R646	61048-177-102	R-METAL FILM:RM 1/8 T 102-J
R647	61048-177-102	R-METAL FILM:RM 1/8 T 102-J
R648	61048-177-102	R-METAL FILM:RM 1/8 T 102-J
R649	61048-177-102	R-METAL FILM:RM 1/8 T 102-J
R650	61048-177-474	R-METAL FILM:RM 1/8 T 474-J
R651	61048-177-243	R-METAL FILM:RM 1/8 T 243-J
R654	B1004-Q229	R-METAL OXIDE:RS 1R 7.5-J/ERX1SJ7R5E
R655	B1004-Q229	R-METAL OXIDE:RS 1R 7.5-J/ERX1SJ7R5E
R656	61048-177-102	R-METAL FILM:RM 1/8 T 102-J
R657	61048-177-102	R-METAL FILM:RM 1/8 T 102-J
R658	61048-177-104	R-METAL FILM:RM 1/8 T 104-J
R659	61048-177-104	R-METAL FILM:RM 1/8 T 104-J
R660	61048-177-682	R-METAL FILM:RM 1/8 T 682-J
R661	61048-177-513	R-METAL FILM:RM 1/8 T 513-J
R662	61048-177-122	R-METAL FILM:RM 1/8 T 122-J
R664	61048-177-102	R-METAL FILM:RM 1/8 T 102-J
R665	61048-177-102	R-METAL FILM:RM 1/8 T 102-J
R667	61048-177-102	R-METAL FILM:RM 1/8 T 102-J
R669	61048-177-102	R-METAL FILM:RM 1/8 T 102-J
R670	61048-177-102	R-METAL FILM:RM 1/8 T 102-J
R672	61048-177-152	R-METAL FILM:RM 1/8 T 152-J
R673	61048-177-333	R-METAL FILM:RM 1/8 T 333-J
R674	61048-177-102	R-METAL FILM:RM 1/8 T 102-J
R675	61048-177-102	R-METAL FILM:RM 1/8 T 102-J
R680	61048-177-221	R-METAL FILM:RM 1/8 T 221-J
R682	61048-177-103	R-METAL FILM:RM 1/8 T 103-J
R683	61048-177-103	R-METAL FILM:RM 1/8 T 103-J
R684	61048-177-103	R-METAL FILM:RM 1/8 T 103-J
R685	61048-177-103	R-METAL FILM:RM 1/8 T 103-J
R686	61048-177-103	R-METAL FILM:RM 1/8 T 103-J
R6801	66209-0008-00	SWITCH-REC.MPU 10105 MMBO 5V
S601	66219-0010-00	SENSOR-PHOTO TRANSISTOR:PT 403F

LO NO	PART NO	DESCRIPTION SPECIFICATION
-------	---------	---------------------------

S602	66219-0010-00	SENSOR-PHOTO TRANSISTOR:PT 403F
S603	62309-112-043	LED IR:GL-451(SHARP)
XT601	B1283-0036	RESONATOR-CERAMIC:8MHZ EFOEC8004T4 3/CN J TAPG
XT602	64539-021-009	CRYSTAL:32.768KHZ

INPUT SELECTION PARTS

C801	61637-206-100	C-ELEC:CEAP 35V 10M SA(5X11)
C802	61617-406-100	C-ELEC:CEAP 35V 10M RSS(5X7)
C803	61407-117-228	C-CERAMIC:AXIAL:CK OAF 25V 223ZF 25V 203ZT
C804	61617-405-470	C-ELECTROLYTIC:CE04W TAPG 25V 47M(RSS 6.3X7)
C805	61407-117-228	C-CERAMIC:AXIAL:CK OAF 25V 223ZF 25V 203ZT
C806	61637-503-471	C-ELEC:CEAP 10V 470M SG(8X11.5)
C807	61617-406-100	C-ELEC:CEAP 35V 10M RSS(5X7)
C808	61617-406-100	C-ELEC:CEAP 35V 10M RSS(5X7)
IC801	62119-401-302	IC:KA8402(TA7347P)
JK801	A3040-0066	JACK-PIN:P2 DSP-9113 4P
Q801	62137-103-380	TRANSISTOR:KSA 733-Y TAPG
R801	61048-177-750	R-METAL FILM:RM 1/8 T 750-J
R802	61048-177-562	R-METAL FILM:RM 1/8 T 562-J
R804	61018-377-391	R-CARBON,RD 1/2 T 391-J
R805	61048-177-102	R-METAL FILM:RM 1/8 T 102-J
R806	61048-177-750	R-METAL FILM:RM 1/8 T 750-J

OSD PARTS

C901	61617-404-470	C-ELEC:CEAP 16V 47M RSS(6.3X7)
C902	61407-117-101	C-CERAMIC:AXIAL:UP050F 104Z
C903	61407-117-220	C-CERAMIC:AXIAL:CAX SL TAPG 50V 22-J
C904	61407-117-220	C-CERAMIC:AXIAL:CAX SL TAPG 50V 22-J
C905	61407-117-104	C-CERAMIC:AXIAL:CAX Y TAPG 16V 0.01-N
C906	61407-117-104	C-CERAMIC:AXIAL:CAX Y TAPG 16V 0.01-N
C907	61617-404-470	C-ELEC:CEAP 16V 47M RSS(6.3X7)
C908	61407-117-228	C-CERAMIC:AXIAL:CK OAF 25V 223ZF 25V 203ZT
C909	61617-406-100	C-ELEC:CEAP 35V 10M RSS(5X7)
C910	61407-117-102	C-CERAMIC:AXIAL:CAX B TAPG 102-K
C911	A1100-0562	C-CERAMIC:CK OA Y 50V T 1800-N
C912	61407-117-470	C-CERAMIC:AXIAL:CAX SL TAPG 50V 47-J
C913	61617-408-010	C-ELEC:CEAP 50V 1M RSS(4X7)
C914	61407-117-680	C-CERAMIC:AXIAL:CAX SL TAPG 50V 68-J
C915	61407-117-680	C-CERAMIC:AXIAL:CAX SL TAPG 50V 68-J
C916	61407-117-470	C-CERAMIC:AXIAL:CAX SL TAPG 50V 47-J
C917	61407-117-470	C-CERAMIC:AXIAL:CAX SL TAPG 50V 47-J
C918	61617-408-479	C-ELEC:CEAP 50V 4.7M RSS(4X7)
C920	61617-404-470	C-ELEC:CEAP 16V 47M RSS(6.3X7)
C921	61617-408-010	C-ELEC:CEAP 50V 1M RSS(4X7)
C922	61407-117-103	C-CERAMIC:AXIAL:CAX B TAPG 100-K
C923	61617-408-010	C-ELEC:CEAP 50V 1M RSS(4X7)
C924	61617-408-339	C-ELEC:CEAP 50V 3.3M RSS(4X7)
C925	61407-117-101	C-CERAMIC:AXIAL:UP050F 104Z
C928	61407-117-470	C-CERAMIC:AXIAL:CAX SL TAPG 50V 47-J
C929	61407-117-184	C-CERAMIC:AXIAL:CAX B TAPG 50V 180-K
D901	62169-406-482	DIODE:1N4148 SAMSUNG
D902	62169-406-482	DIODE:1N4148 SAMSUNG
D903	62169-406-482	DIODE:1N4148 SAMSUNG
D904	62169-406-482	DIODE:1N4148 SAMSUNG
D905	62169-406-482	DIODE:1N4148 SAMSUNG
D906	62169-406-482	DIODE:1N4148 SAMSUNG
D907	62169-406-482	DIODE:1N4148 SAMSUNG
IC901	A4008-1044	IC:K5S513C-06 DIP
L901	62427-020-270	COIL PEAKING:AXIAL:LAL02TB 270J TAPG
L902	62427-020-270	COIL PEAKING:AXIAL:LAL02TB 270J TAPG
L903	62427-020-011	COIL PEAKING:AXIAL:LAL02TB 100J TAPG
L904	62427-020-101	COIL PEAKING:AXIAL:LAL02TB 101J TAPG
L905	62427-020-010	COIL PEAKING:AXIAL:LAL02TB 1R0J TAPG
R901	61048-177-122	R-METAL FILM:RM 1/8 T 122-J
R902	61048-177-152	R-METAL FILM:RM 1/8 T 152-J
R903	61048-177-681	R-METAL FILM:RM 1/8 T 681-J
R904	61048-177-682	R-METAL FILM:RM 1/8 T 682-J
R905	61048-177-103	R-METAL FILM:RM 1/8 T 103-J

LO NO	PART-NO	DESCRIPTION, SPECIFICATION
-------	---------	----------------------------

R906	61048-177-392	R-METAL FILM;RM 1/8 T 392-J
R908	61048-177-621	R-METAL FILM;RM 1/8 T 621-J
R909	61048-177-392	R-METAL FILM;RM 1/8 T 392-J
R910	61048-177-273	R-METAL FILM;RM 1/8 T 273-J
R911	61048-177-103	R-METAL FILM;RM 1/8 T 103-J
R912	61048-177-224	R-METAL FILM;RM 1/8 T 224-J
R914	61048-177-392	R-METAL FILM;RM 1/8 T 392-J
R916	61048-177-122	R-METAL FILM;RM 1/8 T 122-J
R918	61048-177-102	R-METAL FILM;RM 1/8 T 102-J
R919	61048-177-104	R-METAL FILM;RM 1/8 T 104-J
R923	61048-177-331	R-METAL FILM;RM 1/8 T 331-J
R928	61048-177-102	R-METAL FILM;RM 1/8 T 102-J
XT901	B1280-0035	CRYSTAL;14.318MHZ AT-51

LO NO	PART-NO	DESCRIPTION, SPECIFICATION
-------	---------	----------------------------

	64709-0779-00	INSTRUCTION;MOJO VR3703
	64709-0666-00	INSTRUCTION;MOJO VR5703

	68139-131-129	SERVICE MANUAL;VR3703/VR5703
--	---------------	------------------------------

I.O.NO PART-NO DESCRIPTION SPECIFICATION

SW712 B3018-0012 SW-TACT;SKHVLJ/EVQP105K(7.5X9)
 SW713 B3018-0012 SW-TACT;SKHVLJ/EVQP105K(7.5X9)

301 69343-401-201 ASSY VIDEO;W-2 NTSC 2HD MONO(VR3703/SE)

C301	61407-117-104	C-CERAMIC,AXIAL;CAX Y TAPG 16V 0.01-N
C302	61407-117-101	C-CERAMIC,AXIAL;UP 050F 104Z
C303	A1100-0578	C-CERAMIC,CHP;CKOB Y16V N3216/EX050 Y103N 0.01M
C305	61407-117-104	C-CERAMIC,AXIAL;CAX Y TAPG 16V 0.01-N
C307	A1100-0579	C-CERAMIC,CHP;CKOB F25V Z3216/TX050F223Z 0.022M
C308	A1100-0579	C-CERAMIC,CHP;CKOB F25V Z3216/TX050F223Z 0.022M
C311	A1100-0579	C-CERAMIC,CHP;CKOB F25V Z3216/TX050F223Z 0.022M
C312	A1100-0442	C-CERAMIC,CHP;CKOB SL50V C2012/UCN053 SL100C 10P
C313	61407-117-104	C-CERAMIC,AXIAL;CAX Y TAPG 16V 0.01-N
C314	61407-117-104	C-CERAMIC,AXIAL;CAX Y TAPG 16V 0.01-N
C315	A1100-0447	C-CERAMIC,CHP;CKOB A50V K2012/UCN053 A121K 120P
C316	A1100-0433	C-CERAMIC,CHP;CKOB A50V K2012/UCN053 A101K 100P
C318	A1100-0578	C-CERAMIC,CHP;CKOB Y16V N3216/EX050 Y103N 0.01M
C319	A1100-0435	C-CERAMIC,CHP;CKOB A50V K2012/UCN053 A151K 150P
C320	A1100-0436	C-CERAMIC,CHP;CKOB SL50V J2012/UCN053 SL390J 39P
C321	A1100-0435	C-CERAMIC,CHP;CKOB A50V K2012/UCN053 A151K 150P
C322	A1100-0578	C-CERAMIC,CHP;CKOB Y16V N3216/EX050 Y103N 0.01M
C323	A1100-0578	C-CERAMIC,CHP;CKOB Y16V N3216/EX050 Y103N 0.01M
C324	A1100-0437	C-CERAMIC,CHP;CKOB SL50V J2012/UCN053 SL300J 30P
C325	A1100-0438	C-CERAMIC,CHP;CKOB A50V K2012/UCN053 A680K 68P
C326	A1100-0496	C-CERAMIC,CHP;CKOB SL50V J2012/UCN053 SL560J 56P
C327	A1100-0441	C-CERAMIC,CHP;CKOB B50V K2012/UCN053 B331K 330P
C328	A1100-0507	C-CERAMIC,CHP;CKOB SL50V J2012/UCN053 SL180J 18P
C329	A1100-0578	C-CERAMIC,CHP;CKOB Y16V N3216/EX050 Y103N 0.01M
C330	A1100-0439	C-CERAMIC,CHP;CKOB A50V K2012/UCN053 A181K 180P
C331	61617-408-010	C-ELEC;CEAP 50V 1M RSS(4X7)
C332	A1100-0446	C-CERAMIC,CHP;CKOB SL50V C2012/UCN053 SL050C 5P
C333	A1100-0441	C-CERAMIC,CHP;CKOB B50V K2012/UCN053 B331K 330P
C334	A1100-0532	C-CERAMIC,CHP;CKOB SL50V J2012/UCN053 SL220J 22P
C335	61407-117-150	C-CERAMIC,AXIAL;CAX SL TAPG 50V 15-J
C336	A1100-0433	C-CERAMIC,CHP;CKOB A50V K2012/UCN053 A101K 100P
C337	61617-406-100	C-ELEC;CEAP 35V 10M RSS(5X7)
C337	61637-206-100	C-ELEC;CEAP 35V 10M SA(5X11)
C338	61637-206-100	C-ELEC;CEAP 35V 10M SA(5X11)
C339	61617-408-010	C-ELEC;CEAP 50V 1M RSS(4X7)
C340	61407-117-104	C-CERAMIC,AXIAL;CAX Y TAPG 16V 0.01-N
C341	61407-117-228	C-CERAMIC,AXIAL;CK OAF 25V 223ZF 25V 203ZT
C344	61407-117-104	C-CERAMIC,AXIAL;CAX Y TAPG 16V 0.01-N
C345	61637-208-010	C-ELEC;CEAP 50V 1M SA(5X11)
C346	A1100-0578	C-CERAMIC,CHP;CKOB Y16V N3216/EX050 Y103N 0.01M
C347	61637-208-010	C-ELEC;CEAP 50V 1M SA(5X11)
C348	A1100-0578	C-CERAMIC,CHP;CKOB Y16V N3216/EX050 Y103N 0.01M
C349	A1100-0578	C-CERAMIC,CHP;CKOB Y16V N3216/EX050 Y103N 0.01M
C350	61637-208-010	C-ELEC;CEAP 50V 1M SA(5X11)
C351	61407-117-228	C-CERAMIC,AXIAL;CK OAF 25V 223ZF 25V 203ZT
C352	A1100-0444	C-CERAMIC,CHP;CKOB Y25V M2012/TCN053 Y102M 1000P
C353	61637-208-010	C-ELEC;CEAP 50V 1M SA(5X11)
C354	A1100-0505	CERAMIC,AXIAL;CK OAF 50V 473ZF 50V 472ZT
C355	A1100-0579	C-CERAMIC,CHP;CKOB F25V Z3216/TX050F223Z 0.022M
C356	61637-206-100	C-ELEC;CEAP 35V 10M SA(5X11)
C357	61637-504-101	C-ELEC;CEAP 16V 100M SG(6.3X11)
C358	61407-117-104	C-CERAMIC,AXIAL;CAX Y TAPG 16V 0.01-N
C359	61637-206-100	C-ELEC;CEAP 35V 10M SA(5X11)
C360	61637-206-100	C-ELEC;CEAP 35V 10M SA(5X11)
C361	A1100-0578	C-CERAMIC,CHP;CKOB Y16V N3216/EX050 Y103N 0.01M
C362	A1100-0579	C-CERAMIC,CHP;CKOB F25V Z3216/TX050F223Z 0.022M
C363	A1100-0444	C-CERAMIC,CHP;CKOB Y25V M2012/TCN053 Y102M 1000P
C364	61637-206-100	C-ELEC;CEAP 35V 10M SA(5X11)
C365	A1100-0507	C-CERAMIC,CHP;CKOB SL50V J2012/UCN053 SL180J 18P
C366	61407-101-483	C-CERAMIC,TEMP;CC45 SL TAPG 50V 47-J
C367	61407-105-850	C-CERAMIC,TEMP;CC45 CH TAPG 50V 8-D
C368	61407-101-483	C-CERAMIC,TEMP;CC45 SL TAPG 50V 47-J
C370	A1100-0506	C-CERAMIC,CHP;CKOB A50V K2012/UCN053 A820K 82P

I.O.NO PART-NO DESCRIPTION SPECIFICATION

C371	A1100-0445	C-CERAMIC,CHP;CKOB SL50V J2012/UCN053 SL470J 47P
C372	A1100-0579	C-CERAMIC,CHP;CKOB F25V Z3216/TX050F223Z 0.022M
C373	61637-204-470	C-ELEC;CEAP 16V 47M SA(5X11)
C374	61407-117-101	C-CERAMIC,AXIAL;UP 050F 104Z
C375	61637-204-470	C-ELEC;CEAP 16V 47M SA(5X11)
C376	A1100-0578	C-CERAMIC,CHP;CKOB Y16V N3216/EX050 Y103N 0.01M
C377	61617-408-010	C-ELEC;CEAP 50V 1M RSS(4X7)
C378	61617-404-101	C-ELEC;CEAP 16V 100M RSS(6.3X7)
C380	A1100-0441	C-CERAMIC,CHP;CKOB B50V K2012/UCN053 B331K 330P
C381	A1100-0578	C-CERAMIC,CHP;CKOB Y16V N3216/EX050 Y103N 0.01M
C383	A1100-0507	C-CERAMIC,CHP;CKOB SL50V J2012/UCN053 SL180J 18P
C385	A1100-0438	C-CERAMIC,CHP;CKOB A50V K2012/UCN053 A680K 68P
C386	A1100-0438	C-CERAMIC,CHP;CKOB A50V K2012/UCN053 A680K 68P
C388	A1020-0449	R-CHIP RH 1/8 BS 000-J 20X12 RD3A2BY000J
C389	61637-804-220	C-ELEC;CEAP 16V 22M SE(5X5)
CN301	A6010-0264	CONNECTOR WAFER;GC200-10P-LS WHT
CN302	A6010-0264	CONNECTOR WAFER;GC200-10P-LS WHT
CN303	A6010-0264	CONNECTOR WAFER;GC200-10P-LS WHT
CN304	63348-231-040	CONNECTOR-WAFER;52045-0410
D301	62169-406-482	DIODE;1N4148 SAMSUNG
D302	62169-406-482	DIODE;1N4148 SAMSUNG
D303	62169-406-482	DIODE;1N4148 SAMSUNG
D304	62169-406-482	DIODE;1N4148 SAMSUNG
D305	62169-406-482	DIODE;1N4148 SAMSUNG
D306	62169-406-482	DIODE;1N4148 SAMSUNG
IC301	B4008-0698	IC;LA7374(PRE-AMP) SIP
IC302	B4008-0872	IC;LA7184 DIP
IC303	62119-103-726	IC;LC7975(CCD)
J301	A1020-0533	R-CHIP RH 1/8 BS 000-J 32X16 RD2A2BY000J
J302	A1020-0533	R-CHIP RH 1/8 BS 000-J 32X16 RD2A2BY000J
J304	A1020-0533	R-CHIP RH 1/8 BS 000-J 32X16 RD2A2BY000J
J305	A1020-0449	R-CHIP RH 1/8 BS 000-J 20X12 RD3A2BY000J
J306	A1020-0449	R-CHIP RH 1/8 BS 000-J 20X12 RD3A2BY000J
J307	A1020-0533	R-CHIP RH 1/8 BS 000-J 32X16 RD2A2BY000J
J308	A1020-0449	R-CHIP RH 1/8 BS 000-J 20X12 RD3A2BY000J
J309	A1020-0533	R-CHIP RH 1/8 BS 000-J 32X16 RD2A2BY000J
J310	A1020-0533	R-CHIP RH 1/8 BS 000-J 32X16 RD2A2BY000J
J311	A1020-0533	R-CHIP RH 1/8 BS 000-J 32X16 RD2A2BY000J
J312	A1020-0533	R-CHIP RH 1/8 BS 000-J 32X16 RD2A2BY000J
J313	A1020-0533	R-CHIP RH 1/8 BS 000-J 32X16 RD2A2BY000J
L301	62427-812-561	COIL-PEAKING;EL0606RA 560uH-J
L302	62427-020-221	COIL PEAKING,AXIAL;LAL02TB 221J TAPG
L303	62427-020-820	COIL PEAKING,AXIAL;LAL02TB 820J TAPG
L304	62427-020-011	COIL PEAKING,AXIAL;LAL02TB 100J TAPG
L305	62427-020-181	COIL PEAKING,AXIAL;LAL02TB 181J TAPG
L306	62427-020-270	COIL PEAKING,AXIAL;LAL02TB 270J TAPG
L307	62427-020-180	COIL PEAKING,AXIAL;LAL02TB 180J TAPG
L308	62429-833-101	COIL-PEAKING,AXIAL;BAL04ST 101K
L309	62427-020-221	COIL PEAKING,AXIAL;LAL02TB 221J TAPG
L310	62427-020-101	COIL PEAKING,AXIAL;LAL02TB 101J TAPG
L311	62427-020-330	COIL PEAKING,AXIAL;LAL02TB 330J TAPG
L313	62427-020-101	COIL PEAKING,AXIAL;LAL02TB 101J TAPG
L314	62427-812-180	COIL-PEAKING;EL0606RA 180uH-J
L315	62427-020-270	COIL PEAKING,AXIAL;LAL02TB 270J TAPG
L316	62427-020-220	COIL PEAKING,AXIAL;LAL02TB 220J TAPG
L317	62427-020-101	COIL PEAKING,AXIAL;LAL02TB 101J TAPG
L319	62427-020-181	COIL PEAKING,AXIAL;LAL02TB 181J TAPG
L321	62427-020-101	COIL PEAKING,AXIAL;LAL02TB 101J TAPG
L325	62427-020-390	COIL PEAKING,AXIAL;LAL02TB 390J TAPG
Q301	62137-302-740	TRANSISTOR;KSC 945-Y TAPG
Q302	62137-302-740	TRANSISTOR;KSC 945-Y TAPG
Q303	62137-302-740	TRANSISTOR;KSC 945-Y TAPG
Q304	62137-302-740	TRANSISTOR;KSC 945-Y TAPG
Q305	62137-302-740	TRANSISTOR;KSC 945-Y TAPG
Q306	62137-103-380	TRANSISTOR;KSA 733-Y TAPG
Q307	62137-701-013	TRANSISTOR;KSR 1004 TAPG
Q308	62137-701-013	TRANSISTOR;KSR 1004 TAPG
Q309	62137-302-740	TRANSISTOR;KSC 945-Y TAPG
Q310	62137-701-013	TRANSISTOR;KSR 1004 TAPG
Q311	62137-103-380	TRANSISTOR;KSA 733-Y TAPG

LO NO PART NO DESCRIPTION SPECIFICATION

Q312	62137-302-740	TRANSISTOR;KSC 945-Y TAPG
Q313	62137-302-740	TRANSISTOR;KSC 945-Y TAPG
Q314	62137-302-740	TRANSISTOR;KSC 945-Y TAPG
Q315	62137-103-380	TRANSISTOR;KSA 733-Y TAPG
Q316	62137-302-740	TRANSISTOR;KSC 945-Y TAPG
Q319	62137-701-020	TRANSISTOR;KSR 2001 TAPG
Q320	62137-302-441	TRANSISTOR;KSC 2328-Y TAPG
Q321	62137-701-013	TRANSISTOR;KSR 1004 TAPG
Q323	62137-701-013	TRANSISTOR;KSR 1004 TAPG
R301	A1020-0441	R-CHIP RH 1/8 BS 103-J 20X12 RD3A2BY103J
R302	A1020-0326	R-CHIP RH 1/8 BS 432-J 20X12 RD3A2BY432J
R303	A1020-0431	R-CHIP RH 1/8 BS 223-J 20X12 RD3A2BY223J
R304	A1020-0431	R-CHIP RH 1/8 BS 223-J 20X12 RD3A2BY223J
R305	A1020-0316	R-CHIP RH 1/8 BS 682-J 20X12 RD3A2BY682J
R306	A1020-0442	R-CHIP RH 1/8 BS 224-J 20X12 RD3A2BY224J
R307	A1020-0497	R-CHIP RH 1/8 BS 911-J 20X12 RD3A2BY911J
R311	A1020-0321	R-CHIP RH 1/8 BS 333-J 20X12 RD3A2BY333J
R313	A1020-0322	R-CHIP RH 1/8 BS 222-J 20X12 RD3A2BY222J
R314	A1020-0322	R-CHIP RH 1/8 BS 222-J 20X12 RD3A2BY222J
R315	A1020-0317	R-CHIP RH 1/8 BS 392-J 20X12 RD3A2BY392J
R316	A1020-0320	R-CHIP RH 1/8 BS 102-J 20X12 RD3A2BY102J
R317	A1020-0323	R-CHIP RH 1/8 BS 272-J 20X12 RD3A2BY272J
R318	A1020-0324	R-CHIP RH 1/8 BS 331-J 20X12 RD3A2BY331J
R319	A1020-0325	R-CHIP RH 1/8 BS 182-J 20X12 RD3A2BY182J
R320	61048-177-102	R-CARBON;RD 1/8 T 102-J
R321	A1020-0322	R-CHIP RH 1/8 BS 222-J 20X12 RD3A2BY222J
R322	A1020-0326	R-CHIP RH 1/8 BS 432-J 20X12 RD3A2BY432J
R323	A1020-0448	R-CHIP RH 1/8 BS 302-J 20X12 RD3A2BY302J
R324	A1020-0334	R-CHIP RH 1/8 BS 391-J 20X12 RD3A2BY391J
R325	A1020-0334	R-CHIP RH 1/8 BS 391-J 20X12 RD3A2BY391J
R326	A1020-0344	R-CHIP RH 1/8 BS 122-J 20X12 RD3A2BY122J
R327	A1020-0443	R-CHIP RH 1/8 BS 621-J 20X12 RD3A2BY621J
R328	A1020-0337	R-CHIP RH 1/8 BS 821-J 20X12 RD3A2BY821J
R329	A1020-0338	R-CHIP RH 1/8 BS 511-J 20X12 RD3A2BY511J
R330	A1020-0340	R-CHIP RH 1/8 BS 132-J 20X12 RD3A2BY132J
R331	A1020-0320	R-CHIP RH 1/8 BS 102-J 20X12 RD3A2BY102J
R332	A1020-0322	R-CHIP RH 1/8 BS 222-J 20X12 RD3A2BY222J
R333	A1020-0325	R-CHIP RH 1/8 BS 182-J 20X12 RD3A2BY182J
R334	61048-177-182	R-CARBON;RD 1/8 T 182-J
R335	A1020-0325	R-CHIP RH 1/8 BS 182-J 20X12 RD3A2BY182J
R336	A1020-0335	R-CHIP RH 1/8 BS 472-J 20X12 RD3A2BY472J
R337	61048-177-512	R-CARBON;RD 1/8 T 512-J
R338	61048-177-332	R-CARBON;RD 1/8 T 332-J
R339	A1020-0323	R-CHIP RH 1/8 BS 272-J 20X12 RD3A2BY272J
R340	61048-177-561	R-CARBON;RD 1/8 T 561-J
R341	A1020-0341	R-CHIP RH 1/8 BS 332-J 20X12 RD3A2BY332J
R344	A1020-0343	R-CHIP RH 1/8 BS 105-J 20X12 RD3A2BY105J
R345	A1020-0339	R-CHIP RH 1/8 BS 822-J 20X12 RD3A2BY822J
R346	61048-177-332	R-CARBON;RD 1/8 T 332-J
R347	61048-177-222	R-CARBON;RD 1/8 T 222-J
R348	61048-177-102	R-CARBON;RD 1/8 T 102-J
R349	A1020-0445	R-CHIP RH 1/8 BS 133-J 20X12 RD3A2BY133J
R350	A1020-0344	R-CHIP RH 1/8 BS 122-J 20X12 RD3A2BY122J
R351	61048-177-391	R-CARBON;RD 1/8 T 391-J
R352	A1020-0322	R-CHIP RH 1/8 BS 222-J 20X12 RD3A2BY222J
R353	A1020-0441	R-CHIP RH 1/8 BS 103-J 20X12 RD3A2BY103J
R354	A1020-0345	R-CHIP RH 1/8 BS 183-J 20X12 RD3A2BY183J
R357	A1020-0320	R-CHIP RH 1/8 BS 102-J 20X12 RD3A2BY102J
R358	A1020-0339	R-CHIP RH 1/8 BS 822-J 20X12 RD3A2BY822J
R359	A1020-0338	R-CHIP RH 1/8 BS 511-J 20X12 RD3A2BY511J
R360	A1020-0329	R-CHIP RH 1/8 BS 153-J 20X12 RD3A2BY153J
R361	A1020-0343	R-CHIP RH 1/8 BS 105-J 20X12 RD3A2BY105J
R362	A1020-0335	R-CHIP RH 1/8 BS 472-J 20X12 RD3A2BY472J
R363	A1020-0329	R-CHIP RH 1/8 BS 153-J 20X12 RD3A2BY153J
R364	A1020-0330	R-CHIP RH 1/8 BS 112-J 20X12 RD3A2BY112J
R365	61048-177-222	R-CARBON;RD 1/8 T 222-J
R366	61048-177-361	R-CARBON;RD 1/8 T 361-J
R367	A1020-0320	R-CHIP RH 1/8 BS 102-J 20X12 RD3A2BY102J
R368	A1020-0320	R-CHIP RH 1/8 BS 102-J 20X12 RD3A2BY102J
R369	61048-177-221	R-CARBON;RD 1/8 T 221-J

LO NO PART NO DESCRIPTION SPECIFICATION

R370	A1020-0331	R-CHIP RH 1/8 BS 221-J 20X12 RD3A2BY221J
R371	61048-177-102	R-CARBON;RD 1/8 T 102-J
R372	61048-177-102	R-CARBON;RD 1/8 T 102-J
R373	A1020-0333	R-CHIP RH 1/8 BS 823-J 20X12 RD3A2BY823J
R374	A1020-0327	R-CHIP RH 1/8 BS 562-J 20X12 RD3A2BY562J
R375	A1020-0335	R-CHIP RH 1/8 BS 472-J 20X12 RD3A2BY472J
R376	A1020-0497	R-CHIP RH 1/8 BS 911-J 20X12 RD3A2BY911J
R377	A1020-0336	R-CHIP RH 1/8 BS 561-J 20X12 RD3A2BY561J
R380	61048-177-473	R-CARBON;RD 1/8 T 473-J
R381	A1020-0457	R-CHIP RH 1/8 BS 100-J 20X12 RD3A2BY100J
SC301	69000-100-448	ASSY SHIELD CASE P/AMP TOP;3516 ET T0.5 5.6/5.6
SC302	62074-0132-00	SHIELD-CASE P/A BOTTOM;ET T0.5 SPTE
VR301	61247-101-103	VR-SEMI;EVN-DJA A03B14 TAPG 10KB
VR302	61247-101-103	VR-SEMI;EVN-DJA A03B14 TAPG 10KB
VR303	61247-101-103	VR-SEMI;EVN-DJA A03B14 TAPG 10KB
VR304	61247-101-472	VR-SEMI;EVN-DJA A03BQ3 TAPG 4.7KB
VR305	61247-101-102	VR-SEMI;EVN-DJA A03B13 TAPG 1KB
XT301	64539-012-009	CRYSTAL;3.579545 HC/49U(8PF) TAPG
ZD301	62169-403-821	DIODE-ZENER;MTZ 5.1B

301 69343-401-202 ASSY VIDEO;W-2 NTSC 4H'D(VR5703/SEA)

C301	61407-117-104	C-CERAMIC;AXIAL;CAX Y TAPG 16V 0.01-N
C302	61407-117-101	C-CERAMIC;AXIAL;UP 050F 104Z
C303	A1100-0578	C-CERAMIC;CHIP;CKOB Y16V N3216/EX050 Y103N 0.01M
C304	A1100-0578	C-CERAMIC;CHIP;CKOB Y16V N3216/EX050 Y103N 0.01M
C305	61407-117-104	C-CERAMIC;AXIAL;CAX Y TAPG 16V 0.01-N
C306	61407-117-104	C-CERAMIC;AXIAL;CAX Y TAPG 16V 0.01-N
C307	A1100-0579	C-CERAMIC;CHIP;CKOB F25V Z3216/TX050 F223Z 0.022M
C308	A1100-0579	C-CERAMIC;CHIP;CKOB F25V Z3216/TX050 F223Z 0.022M
C309	A1100-0579	C-CERAMIC;CHIP;CKOB F25V Z3216/TX050 F223Z 0.022M
C310	A1100-0579	C-CERAMIC;CHIP;CKOB F25V Z3216/TX050 F223Z 0.022M
C311	A1100-0579	C-CERAMIC;CHIP;CKOB F25V Z3216/TX050 F223Z 0.022M
C312	A1100-0442	C-CERAMIC;CHIP;CKOB SL50V C2012/UCN053 SL100C 10F
C313	61407-117-104	C-CERAMIC;AXIAL;CAX Y TAPG 16V 0.01-N
C314	61407-117-104	C-CERAMIC;AXIAL;CAX Y TAPG 16V 0.01-N
C315	A1100-0447	C-CERAMIC;CHIP;CKOB A50V K2012/UCN053 A121K 120P
C316	A1100-0433	C-CERAMIC;CHIP;CKOB A50V K2012/UCN053 A101K 100P
C318	A1100-0578	C-CERAMIC;CHIP;CKOB Y16V N3216/EX050 Y103N 0.01M
C319	A1100-0435	C-CERAMIC;CHIP;CKOB A50V K2012/UCN053 A151K 150P
C320	A1100-0436	C-CERAMIC;CHIP;CKOB SL50V J2012/UCN053 SL390J 39P
C321	A1100-0435	C-CERAMIC;CHIP;CKOB A50V K2012/UCN053 A151K 150P
C322	A1100-0578	C-CERAMIC;CHIP;CKOB Y16V N3216/EX050 Y103N 0.01M
C323	A1100-0578	C-CERAMIC;CHIP;CKOB Y16V N3216/EX050 Y103N 0.01M
C324	A1100-0437	C-CERAMIC;CHIP;CKOB SL50V J2012/UCN053 SL300J 30P
C325	A1100-0438	C-CERAMIC;CHIP;CKOB A50V K2012/UCN053 A680K 68P
C326	A1100-0496	C-CERAMIC;CHIP;CKOB SL50V J2012/UCN053 SL560J 56P
C327	A1100-0441	C-CERAMIC;CHIP;CKOB B50V K2012/UCN053 B331K 330P
C328	A1100-0507	C-CERAMIC;CHIP;CKOB SL50V J2012/UCN053 SL180J 18P
C329	A1100-0578	C-CERAMIC;CHIP;CKOB Y16V N3216/EX050 Y103N 0.01M
C330	A1100-0439	C-CERAMIC;CHIP;CKOB A50V K2012/UCN053 A181K 180P
C331	61617-408-010	C-ELEC;CEAP 50V 1M RSS(4X7)
C332	A1100-0446	C-CERAMIC;CHIP;CKOB SL50V C2012/UCN053 SL050C 5P
C333	A1100-0441	C-CERAMIC;CHIP;CKOB B50V K2012/UCN053 B331K 330P
C334	A1100-0437	C-CERAMIC;CHIP;CKOB SL50V J2012/UCN053 SL300J 30P
C335	61407-117-150	C-CERAMIC;AXIAL;CAX SL TAPG 50V 15-J
C336	A1100-0506	C-CERAMIC;CHIP;CKOB A50V K2012/UCN053 A820K 82P
C337	61637-206-100	C-ELEC;CEAP 35V 10M SA(5X11)
C338	61637-206-100	C-ELEC;CEAP 35V 10M SA(5X11)
C339	61617-408-010	C-ELEC;CEAP 50V 1M RSS(4X7)
C340	61407-117-104	C-CERAMIC;AXIAL;CAX Y TAPG 16V 0.01-N
C341	61407-117-228	C-CERAMIC;AXIAL;CK OAF 25V 223Z/F 25V 203ZT
C344	61407-117-104	C-CERAMIC;AXIAL;CAX Y TAPG 16V 0.01-N
C345	61637-208-010	C-ELEC;CEAP 50V 1M SA(5X11)
C346	A1100-0578	C-CERAMIC;CHIP;CKOB Y16V N3216/EX050 Y103N 0.01M
C347	61637-208-010	C-ELEC;CEAP 50V 1M SA(5X11)
C348	A1100-0578	C-CERAMIC;CHIP;CKOB Y16V N3216/EX050 Y103N 0.01M
C349	A1100-0578	C-CERAMIC;CHIP;CKOB Y16V N3216/EX050 Y103N 0.01M

LO NO	PART NO	DESCRIPTION SPECIFICATION
C350	61637-208-010	C-ELEC;CEAP 50V 1M SA(5X11)
C351	61407-117-228	C-CERAMIC AXIAL;CK OAF 25V 223ZF 25V 2032T
C352	A1100-0444	C-CERAMIC.CHP;CKOB Y25V M2012/TCN053 Y102M 1000P
C353	61637-208-010	C-ELEC;CEAP 50V 1M SA(5X11)
C354	A1100-0505	CERAMIC.AXIAL;CK OAF 50V 473ZF 50V 472ZT
C355	A1100-0579	C-CERAMIC.CHP;CKOB F25V Z3216/TX050 F223Z 0.022M
C356	61637-206-100	C-ELEC;CEAP 35V 10M SA(5X11)
C357	61637-504-101	C-ELEC;CEAP 16V 100M SX(6.3X11)
C358	61407-117-104	C-CERAMIC.AXIAL;CAX Y TAPG 16V 0.01-N
C359	61637-206-100	C-ELEC;CEAP 35V 10M SA(5X11)
C360	61637-206-100	C-ELEC;CEAP 35V 10M SA(5X11)
C361	A1100-0578	C-CERAMIC.CHP;CKOB Y16V N3216/EX050 Y103N 0.01M
C362	A1100-0579	C-CERAMIC.CHP;CKOB F25V Z3216/TX050 F223Z 0.022M
C363	A1100-0444	C-CERAMIC.CHP;CKOB Y25V M2012/TCN053 Y102M 1000P
C364	61637-206-100	C-ELEC;CEAP 35V 10M SA(5X11)
C365	A1100-0507	C-CERAMIC.CHP;CKOB SL50V J2012/UCN053 SL180J 18P
C366	61407-101-483	C-CERAMIC.TEMP;CC45 SL TAPG 50V 47-J
C367	61407-105-850	C-CERAMIC.TEMP;CC45 CH TAPG 50V 8-D
C368	61407-101-483	C-CERAMIC.TEMP;CC45 SL TAPG 50V 47-J
C370	A1100-0506	C-CERAMIC.CHP;CKOB A50V K2012/UCN053 A820K 82P
C371	A1100-0445	C-CERAMIC.CHP;CKOB SL50V J2012/UCN053 SL470J 47P
C372	A1100-0579	C-CERAMIC.CHP;CKOB F25V Z3216/TX050 F223Z 0.022M
C373	61637-204-470	C-ELEC;CEAP 16V 47M SA(5X11)
C374	61407-117-101	C-CERAMIC.AXIAL;UP 050F 104Z
C375	61637-204-470	C-ELEC;CEAP 16V 47M SA(5X11)
C376	A1100-0578	C-CERAMIC.CHP;CKOB Y16V N3216/EX050 Y103N 0.01M
C377	61617-408-010	C-ELEC;CEAP 50V 1M RSS(4X7)
C378	61617-404-101	C-ELEC;CEAP 16V 100M RSS(6.3X7)
C380	A1100-0441	C-CERAMIC.CHP;CKOB B50V K2012/UCN053 B331K 330P
C381	A1100-0578	C-CERAMIC.CHP;CKOB Y16V N3216/EX050 Y103N 0.01M
C383	A1100-0442	C-CERAMIC.CHP;CKOB SL50V C2012/UCN053 SL100C 10P
C385	A1100-0438	C-CERAMIC.CHP;CKOB A50V K2012/UCN053 A680K 68P
C386	A1100-0438	C-CERAMIC.CHP;CKOB A50V K2012/UCN053 A680K 68P
C387	A1100-0494	C-CERAMIC.CHP;CKOB SL50V J2012/UCN053 SL330J 33P
C388	A1100-0494	C-CERAMIC.CHP;CKOB SL50V J2012/UCN053 SL330J 33P
C389	61637-804-220	C-ELEC;CEAP 16V 22M SE(5X5)
CN301	A6010-0264	CONNECTOR WAFER;GC200-10P-LS WHT
CN302	A6010-0264	CONNECTOR WAFER;GC200-10P-LS WHT
CN303	A6010-0264	CONNECTOR WAFER;GC200-10P-LS WHT
CN304	63348-231-080	CONNECTOR-WAFER;52045-0810
D301	62169-406-482	DIODE;1N4148 SAMSUNG
D302	62169-406-482	DIODE;1N4148 SAMSUNG
D303	62169-406-482	DIODE;1N4148 SAMSUNG
D304	62169-406-482	DIODE;1N4148 SAMSUNG
D305	62169-406-482	DIODE;1N4148 SAMSUNG
D306	62169-406-482	DIODE;1N4148 SAMSUNG
IC301	B4008-0698	IC;LA7374(PRE-AMP) SIP
IC302	B4008-0872	IC;LA7184 DIP
IC303	62119-103-726	IC;LC7975(CCD)
J301	A1020-0533	R-CHIP RH 1/8 BS 000-J 32X16 RD2A2BY000J
J302	A1020-0533	R-CHIP RH 1/8 BS 000-J 32X16 RD2A2BY000J
J303	A1020-0533	R-CHIP RH 1/8 BS 000-J 32X16 RD2A2BY000J
J304	A1020-0533	R-CHIP RH 1/8 BS 000-J 32X16 RD2A2BY000J
J305	A1020-0449	R-CHIP RH 1/8 BS 000-J 20X12 RD3A2BY000J
J307	A1020-0533	R-CHIP RH 1/8 BS 000-J 32X16 RD2A2BY000J
J308	A1020-0449	R-CHIP RH 1/8 BS 000-J 20X12 RD3A2BY000J
J309	A1020-0533	R-CHIP RH 1/8 BS 000-J 32X16 RD2A2BY000J
J310	A1020-0533	R-CHIP RH 1/8 BS 000-J 32X16 RD2A2BY000J
J311	A1020-0533	R-CHIP RH 1/8 BS 000-J 32X16 RD2A2BY000J
J312	A1020-0533	R-CHIP RH 1/8 BS 000-J 32X16 RD2A2BY000J
J313	A1020-0533	R-CHIP RH 1/8 BS 000-J 32X16 RD2A2BY000J
L301	62427-812-561	COIL-PEAKING.EL0606RA 560uH-J
L302	62427-020-221	COIL PEAKING AXIAL;LAL02TB 221J TAPG
L303	62427-020-820	COIL PEAKING AXIAL;LAL02TB 820J TAPG
L304	62427-020-011	COIL PEAKING AXIAL;LAL02TB 100J TAPG
L305	62427-020-181	COIL PEAKING AXIAL;LAL02TB 181J TAPG
L306	62427-020-270	COIL PEAKING AXIAL;LAL02TB 270J TAPG
L307	62427-020-180	COIL PEAKING AXIAL;LAL02TB 180J TAPG
L308	62429-833-101	COIL-PEAKING AXIAL;BAL04ST 101K
L309	62427-020-221	COIL PEAKING AXIAL;LAL02TB 221J TAPG

LO NO	PART NO	DESCRIPTION SPECIFICATION
L310	62427-020-101	COIL PEAKING AXIAL;LAL02TB 101J TAPG
L311	62427-020-330	COIL PEAKING AXIAL;LAL02TB 330J TAPG
L313	62427-020-101	COIL PEAKING AXIAL;LAL02TB 101J TAPG
L314	62427-812-180	COIL-PEAKING.EL0606RA 18uH-J
L315	62427-020-270	COIL PEAKING AXIAL;LAL02TB 270J TAPG
L316	62427-020-220	COIL PEAKING AXIAL;LAL02TB 220J TAPG
L317	62427-020-101	COIL PEAKING AXIAL;LAL02TB 101J TAPG
L319	62427-020-181	COIL PEAKING AXIAL;LAL02TB 181J TAPG
L321	62427-020-101	COIL PEAKING AXIAL;LAL02TB 101J TAPG
L325	62427-020-390	COIL PEAKING AXIAL;LAL02TB 390J TAPG
Q301	62137-302-740	TRANSISTOR;KSC 945-Y TAPG
Q302	62137-302-740	TRANSISTOR;KSC 945-Y TAPG
Q303	62137-302-740	TRANSISTOR;KSC 945-Y TAPG
Q304	62137-302-740	TRANSISTOR;KSC 945-Y TAPG
Q305	62137-302-740	TRANSISTOR;KSC 945-Y TAPG
Q306	62137-103-380	TRANSISTOR;KSA 733-Y TAPG
Q308	62137-701-013	TRANSISTOR;KSR 1004 TAPG
Q309	62137-302-740	TRANSISTOR;KSC 945-Y TAPG
Q310	62137-701-013	TRANSISTOR;KSR 1004 TAPG
Q311	62137-103-380	TRANSISTOR;KSA 733-Y TAPG
Q313	62137-302-740	TRANSISTOR;KSC 945-Y TAPG
Q314	62137-302-740	TRANSISTOR;KSC 945-Y TAPG
Q315	62137-103-380	TRANSISTOR;KSA 733-Y TAPG
Q316	62137-302-740	TRANSISTOR;KSC 945-Y TAPG
Q319	62137-701-020	TRANSISTOR;KSR 2001 TAPG
Q320	62137-302-441	TRANSISTOR;KSC 2328-Y TAPG
Q321	62137-701-013	TRANSISTOR;KSR 1004 TAPG
Q323	62137-701-013	TRANSISTOR;KSR 1004 TAPG
R301	A1020-0441	R-CHIP RH 1/8 BS 103-J 20X12 RD3A2BY103J
R302	A1020-0326	R-CHIP RH 1/8 BS 432-J 20X12 RD3A2BY432J
R303	A1020-0431	R-CHIP RH 1/8 BS 223-J 20X12 RD3A2BY223J
R304	A1020-0431	R-CHIP RH 1/8 BS 223-J 20X12 RD3A2BY223J
R305	A1020-0316	R-CHIP RH 1/8 BS 682-J 20X12 RD3A2BY682J
R306	A1020-0442	R-CHIP RH 1/8 BS 224-J 20X12 RD3A2BY224J
R307	A1020-0319	R-CHIP RH 1/8 BS 751-J 20X12 RD3A2BY751J
R308	A1020-0320	R-CHIP RH 1/8 BS 102-J 20X12 RD3A2BY102J
R309	A1020-0318	R-CHIP RH 1/8 BS 622-J 20X12 RD3A2BY622J
R310	A1020-0318	R-CHIP RH 1/8 BS 622-J 20X12 RD3A2BY622J
R311	A1020-0321	R-CHIP RH 1/8 BS 333-J 20X12 RD3A2BY333J
R312	A1020-0321	R-CHIP RH 1/8 BS 333-J 20X12 RD3A2BY333J
R313	A1020-0322	R-CHIP RH 1/8 BS 222-J 20X12 RD3A2BY222J
R314	A1020-0322	R-CHIP RH 1/8 BS 222-J 20X12 RD3A2BY222J
R315	A1020-0500	R-CHIP RH 1/8 BS 362-J 20X12 RD3A2BY362J
R316	A1020-0319	R-CHIP RH 1/8 BS 751-J 20X12 RD3A2BY751J
R317	A1020-0323	R-CHIP RH 1/8 BS 272-J 20X12 RD3A2BY272J
R318	A1020-0324	R-CHIP RH 1/8 BS 331-J 20X12 RD3A2BY331J
R319	A1020-0325	R-CHIP RH 1/8 BS 182-J 20X12 RD3A2BY182J
R320	61048-177-102	R-METAL FILM;RM 1/8 T 102-J
R321	A1020-0322	R-CHIP RH 1/8 BS 222-J 20X12 RD3A2BY222J
R322	A1020-0326	R-CHIP RH 1/8 BS 432-J 20X12 RD3A2BY432J
R323	A1020-0448	R-CHIP RH 1/8 BS 302-J 20X12 RD3A2BY302J
R324	A1020-0334	R-CHIP RH 1/8 BS 391-J 20X12 RD3A2BY391J
R325	A1020-0334	R-CHIP RH 1/8 BS 391-J 20X12 RD3A2BY391J
R326	A1020-0344	R-CHIP RH 1/8 BS 122-J 20X12 RD3A2BY122J
R327	A1020-0443	R-CHIP RH 1/8 BS 621-J 20X12 RD3A2BY621J
R328	A1020-0337	R-CHIP RH 1/8 BS 821-J 20X12 RD3A2BY821J
R329	A1020-0338	R-CHIP RH 1/8 BS 511-J 20X12 RD3A2BY511J
R330	A1020-0325	R-CHIP RH 1/8 BS 182-J 20X12 RD3A2BY182J
R331	A1020-0320	R-CHIP RH 1/8 BS 102-J 20X12 RD3A2BY102J
R332	A1020-0322	R-CHIP RH 1/8 BS 222-J 20X12 RD3A2BY222J
R333	A1020-0325	R-CHIP RH 1/8 BS 182-J 20X12 RD3A2BY182J
R335	A1020-0340	R-CHIP RH 1/8 BS 132-J 20X12 RD3A2BY132J
R336	A1020-0335	R-CHIP RH 1/8 BS 472-J 20X12 RD3A2BY472J
R337	61048-177-512	R-METAL FILM;RM 1/8 T 512-J
R338	61048-177-332	R-METAL FILM;RM 1/8 T 332-J
R339	A1020-0323	R-CHIP RH 1/8 BS 272-J 20X12 RD3A2BY272J
R340	61048-177-561	R-METAL FILM;RM 1/8 T 561-J
R341	A1020-0341	R-CHIP RH 1/8 BS 332-J 20X12 RD3A2BY332J
R344	A1020-0343	R-CHIP RH 1/8 BS 105-J 20X12 RD3A2BY105J
R345	A1020-0339	R-CHIP RH 1/8 BS 822-J 20X12 RD3A2BY822J

LO NO PART-NO DESCRIPTION SPECIFICATION

R346	61048-177-332	R-METAL FILM, RM 1/8 T 332-J
R347	61048-177-222	R-METAL FILM, RM 1/8 T 222-J
R348	61048-177-102	R-METAL FILM, RM 1/8 T 102-J
R349	A1020-0445	R-CHIP, RH 1/8 BS 133-J 20X12 RD3A2BY133J
R350	A1020-0344	R-CHIP, RH 1/8 BS 122-J 20X12 RD3A2BY122J
R351	61048-177-391	R-METAL FILM, RM 1/8 T 391-J
R352	A1020-0322	R-CHIP, RH 1/8 BS 222-J 20X12 RD3A2BY222J
R353	A1020-0441	R-CHIP, RH 1/8 BS 103-J 20X12 RD3A2BY103J
R354	A1020-0345	R-CHIP, RH 1/8 BS 183-J 20X12 RD3A2BY183J
R357	A1020-0320	R-CHIP, RH 1/8 BS 102-J 20X12 RD3A2BY102J
R358	A1020-0339	R-CHIP, RH 1/8 BS 822-J 20X12 RD3A2BY822J
R359	A1020-0338	R-CHIP, RH 1/8 BS 511-J 20X12 RD3A2BY511J
R360	A1020-0329	R-CHIP, RH 1/8 BS 153-J 20X12 RD3A2BY153J
R361	A1020-0343	R-CHIP, RH 1/8 BS 105-J 20X12 RD3A2BY105J
R362	A1020-0335	R-CHIP, RH 1/8 BS 472-J 20X12 RD3A2BY472J
R363	A1020-0329	R-CHIP, RH 1/8 BS 153-J 20X12 RD3A2BY153J
R364	A1020-0330	R-CHIP, RH 1/8 BS 112-J 20X12 RD3A2BY112J
R365	61048-177-222	R-METAL FILM, RM 1/8 T 222-J
R366	61048-177-361	R-METAL FILM, RM 1/8 T 361-J
R367	A1020-0320	R-CHIP, RH 1/8 BS 102-J 20X12 RD3A2BY102J
R368	A1020-0320	R-CHIP, RH 1/8 BS 102-J 20X12 RD3A2BY102J
R369	61048-177-221	R-METAL FILM, RM 1/8 T 221-J
R370	A1020-0331	R-CHIP, RH 1/8 BS 221-J 20X12 RD3A2BY221J
R371	61048-177-102	R-METAL FILM, RM 1/8 T 102-J
R372	61048-177-102	R-METAL FILM, RM 1/8 T 102-J
R373	A1020-0333	R-CHIP, RH 1/8 BS 823-J 20X12 RD3A2BY823J
R374	A1020-0327	R-CHIP, RH 1/8 BS 562-J 20X12 RD3A2BY562J
R375	A1020-0335	R-CHIP, RH 1/8 BS 472-J 20X12 RD3A2BY472J
R376	A1020-0319	R-CHIP, RH 1/8 BS 751-J 20X12 RD3A2BY751J
R377	A1020-0336	R-CHIP, RH 1/8 BS 561-J 20X12 RD3A2BY561J
R380	61048-177-473	R-METAL FILM, RM 1/8 T 473-J
R381	A1020-0457	R-CHIP, RH 1/8 BS 100-J 20X12 RD3A2BY100J
SC301	69000-100-448	ASSY SHIELD CASE P/AMP TOP. 3516 ET T0.5 5.6/5.6
SC302	62074-0132-00	SHIELD-CASE P/A BOTTOM. ET T0.5 SPT
VR301	61247-101-103	VR-SEMI, EVN-DJA A03B14 TAPG 10KB
VR302	61247-101-103	VR-SEMI, EVN-DJA A03B14 TAPG 10KB
VR303	61247-101-103	VR-SEMI, EVN-DJA A03B14 TAPG 10KB
VR304	61247-101-472	VR-SEMI, EVN-DJA A03BQ3 TAPG 4.7KB
VR305	61247-101-102	VR-SEMI, EVN-DJA A03B13 TAPG 1KB
XT301	64539-012-009	CRYSTAL. 3.579545 HC/49U(8PF) TAPG
ZD301	62169-403-821	DIODE-ZENER. MTZ 5.1B

601 69357-401-204 ASSY MAIN.W-2 NTSC 2H'D(VR3703/SEA)

POWER PARTS

C101	61637-208-100	C-ELEC. CEAP 50V 10M SA(5X11)
C102	61407-117-101	C-CERAMIC AXIAL. UP 050F 104Z
C103	61617-408-479	C-ELEC. CEAP 50V 4.7M RSS(4X7)
CN101	A6010-0406	CONNECTOR-WAFER. 18-5085-009-000 BLK
D101	B4104-0047	DIODE-RECT. GP15D 200V 1.5A
D102	B4104-0046	DIODE-RECT. 1N4002GP 200V 1A
D103	62169-406-482	DIODE. 1N4148 SAMSUNG
IC101	B4008-1011	IC-VOLT REGU. PQ12RE 11 SIP
Q101	62147-401-835	TRANSISTOR. KSA 928A-Y TAPG
Q102	62137-701-022	TRANSISTOR. KSR 2003 TAPG
Q103	62137-701-010	TRANSISTOR. KSR 1001 TAPG
Q104	62137-302-441	TRANSISTOR. KSC 2328-Y TAPG
R101	61048-177-104	R-CARBON. RD 1/8 T 104-J
R102	61048-277-271	R-CARBON. RD 1/4 T 271-J
R103	61048-177-222	R-CARBON. RD 1/8 T 222-J
R104	61048-177-102	R-CARBON. RD 1/8 T 102-J
R105	61048-177-561	R-CARBON. RD 1/8 T 561-J
ZD101	62169-403-821	DIODE-ZENER. MTZ 5.1B
ZD102	62169-403-859	DIODE-ZENER. EQB01-33V(10COMMV) TAPG

SERVO PARTS

C201	61507-121-551	C-POLYESTER. CQ921M TAPG 50V 473-J
------	---------------	------------------------------------

LO NO PART-NO DESCRIPTION SPECIFICATION

C202	61637-205-470	C-ELEC. CEAP 25V 47M SA(6X11)
C203	61407-117-104	C-CERAMIC AXIAL. CAX Y TAPG 16V 0.01-N
C206	61637-208-479	C-ELEC. CEAP 50V 4.7M SA(5X11)
C207	61407-117-228	C-CERAMIC AXIAL. CK OAF 25V 223ZF 25V 203ZT
C208	61407-101-440	C-CERAMIC TEMP. CC45 SL TAPG 50V 220-J
C209	61407-101-420	C-CERAMIC TEMP. CC45 SL TAPG 50V 180-J
C210	61637-204-220	C-ELEC. CEAP 16V 22M SA
C211	61637-206-100	C-ELEC. CEAP 35V 10M SA(5X11)
C212	61407-117-102	C-CERAMIC AXIAL. CAX B TAPG 102-K
C213	61407-117-102	C-CERAMIC AXIAL. CAX B TAPG 102-K
C214	B1102-0112	C-FILM. CQ298PVT 224J/ECOV1H224JZ3
C215	B1102-0129	C-FILM. CQ 922 M 50V T 822-J ECO-B1H822-JF3
C216	61637-205-470	C-ELEC. CEAP 25V 47M SA(6X11)
C218	61617-405-470	C-ELECTROLYTIC. CE04W TAPG 25V 47M(RSS 6.3X7)
C220	61617-408-479	C-ELEC. CEAP 50V 4.7M RSS(4X7)
C221	61617-408-479	C-ELEC. CEAP 50V 4.7M RSS(4X7)
C222	61617-408-479	C-ELEC. CEAP 50V 4.7M RSS(4X7)
C223	61617-408-479	C-ELEC. CEAP 50V 4.7M RSS(4X7)
C224	61507-121-571	C-POLYESTER. CQ921M TAPG 100V 683-J
C225	61627-208-010	C-ELEC. CEAP 50V 1M NP(6X11)
C226	61637-208-010	C-ELEC. CEAP 50V 1M SA(5X11)
C227	61637-206-100	C-ELEC. CEAP 35V 10M SA(5X11)
C228	61637-206-100	C-ELEC. CEAP 35V 10M SA(5X11)
C229	61507-121-481	C-POLYESTER. CQ921M TAPG 50V 153-J
C230	61637-206-100	C-ELEC. CEAP 35V 10M SA(5X11)
C235	61617-406-100	C-ELEC. CEAP 35V 10M RSS(5X7)
C236	61417-109-210	C-CERAMIC HK. CK 45F TAPG 50V 104-Z
C237	61407-117-228	C-CERAMIC AXIAL. CK OAF 25V 223ZF 25V 203ZT
C238	61407-117-104	C-CERAMIC AXIAL. CAX Y TAPG 16V 0.01-N
C239	61417-109-210	C-CERAMIC HK. CK 45F TAPG 50V 104-Z
C240	61407-117-101	C-CERAMIC AXIAL. UP 050F 104Z
C241	61637-204-220	C-ELEC. CEAP 16V 22M SA
C259	61407-117-104	C-CERAMIC AXIAL. CAX Y TAPG 16V 0.01-N
C261	61617-406-100	C-ELEC. CEAP 35V 10M RSS(5X7)
CN201	B6010-0254	CONNECTOR WAFER. 52556-0990 WHT
CN202	A6010-0092	CONNECTOR-WAFER. 00-8283-0612-00 WHT 6P
CN203	63053-916-415	LEAD CONNECTOR ASSY. BN. 8283-06/8283-06 #26 110MM
D202	62169-406-482	DIODE. 1N4148 SAMSUNG
D203	62169-406-482	DIODE. 1N4148 SAMSUNG
D204	62169-406-482	DIODE. 1N4148 SAMSUNG
D205	62169-406-482	DIODE. 1N4148 SAMSUNG
IC201	A4002-0191	IC-MCU. KA8324 QFP
L201	62429-833-101	COIL-PEAKING AXIAL. BAL04ST 101K
L202	62429-833-101	COIL-PEAKING AXIAL. BAL04ST 101K
Q201	62137-103-380	TRANSISTOR. KSA 733-Y TAPG
Q211	A4050-0001	TRANSISTOR. 2SD 1468SQ
Q212	62137-701-013	TRANSISTOR. KSR 1004 TAPG
R202	61048-177-102	R-CARBON. RD 1/8 T 102-J
R203	61048-177-684	R-CARBON. RD 1/8 T 684-J
R204	61048-177-103	R-CARBON. RD 1/8 T 103-J
R205	61048-177-102	R-CARBON. RD 1/8 T 102-J
R206	61048-177-271	R-CARBON. RD 1/8 T 271-J
R207	61048-177-823	R-CARBON. RD 1/8 T 823-J
R208	61048-177-684	R-CARBON. RD 1/8 T 684-J
R209	61048-177-683	R-CARBON. RD 1/8 T 683-J
R211	61048-177-132	R-CARBON. RD 1/8 T 132-J
R212	61048-177-103	R-CARBON. RD 1/8 T 103-J
R213	61048-177-473	R-CARBON. RD 1/8 T 473-J
R214	61048-177-103	R-CARBON. RD 1/8 T 103-J
R215	61048-177-513	R-CARBON. RD 1/8 T 513-J
R216	61048-177-104	R-CARBON. RD 1/8 T 104-J
R217	61048-177-563	R-CARBON. RD 1/8 T 563-J
R219	61048-177-134	R-CARBON. RD 1/8 T 134-J
R220	61048-177-104	R-CARBON. RD 1/8 T 104-J
R221	61048-177-124	R-CARBON. RD 1/8 T 124-J
R222	61048-177-183	R-CARBON. RD 1/8 T 183-J
R223	61048-177-105	R-CARBON. RD 1/8 T 105-J
R224	61048-177-473	R-CARBON. RD 1/8 T 473-J
R225	61048-177-105	R-CARBON. RD 1/8 T 105-J
R226	61048-177-564	R-CARBON. RD 1/8 T 564-J
R227	61048-177-393	R-CARBON. RD 1/8 T 393-J

I.O. NO. PART NO. DESCRIPTION SPECIFICATION

R228	61048-177-273	R-CARBON;RD 1/8 T 273-J
R229	61048-177-105	R-CARBON;RD 1/8 T 105-J
R230	61048-177-274	R-CARBON;RD 1/8 TS 274-J
R232	61048-177-122	R-CARBON;RD 1/8 T 122-J
R234	61048-177-222	R-CARBON;RD 1/8 T 222-J
R235	61048-177-433	R-CARBON;RD 1/8 T 433-J
R236	61048-177-222	R-CARBON;RD 1/8 T 222-J
R237	61048-177-102	R-CARBON;RD 1/8 T 102-J
R239	61048-177-182	R-CARBON;RD 1/8 T 182-J
R240	61048-177-433	R-CARBON;RD 1/8 T 433-J
R241	61048-177-333	R-CARBON;RD 1/8 T 333-J
R242	61048-177-183	R-CARBON;RD 1/8 T 183-J
R243	61048-177-432	R-CARBON;RD 1/8 T 432-J
R245	61048-177-102	R-CARBON;RD 1/8 T 102-J
R246	61048-177-622	R-CARBON;RD 1/8 T 622-J
R247	61048-177-271	R-CARBON;RD 1/8 T 271-J
R250	61048-177-123	R-CARBON;RD 1/8 T 123-J
R261	61048-177-224	R-CARBON;RD 1/8 T 224-J
R262	61048-177-333	R-CARBON;RD 1/8 T 333-J
R263	61048-177-103	R-CARBON;RD 1/8 T 103-J
R264	61048-177-102	R-CARBON;RD 1/8 T 102-J
R265	61048-177-103	R-CARBON;RD 1/8 T 103-J
VR201	61247-101-224	VR-SEMI.EVN-DJA A03B5 TAPG 220KB
ZD203	62169-423-092	DIODE-ZENER;MTZ 6.8B/UZ 6.8BH
ZD204	62169-423-092	DIODE-ZENER;MTZ 6.8B/UZ 6.8BH

TUNER PARTS

C404	61637-205-470	C-ELEC;CEAP 25A 47M SA(6X11)
C407	61637-608-338	C-ELEC;CEAP 50V 0.33M SV(5X9)
L401	62429-833-101	COIL-PEAKING AXIAL;BAL04ST 101K
SW401	A3006-0009	SW-SLIDE;KSA 1249
TM401	67179-0118-00	UNIT-TM BLOCK;TMVH1-011A(MONO)

AUDIO PARTS

C501	61507-121-250	C-POLYESTER;CQ921M TAPG 100V 272-K
C502	61507-121-341	C-POLYESTER;CQ921M TAPG 50V 102-J
C503	61637-208-010	C-ELEC;CEAP 50V 1M SA(5X11)
C504	61637-205-470	C-ELEC;CEAP 25V 47M SA(6X11)
C505	61507-121-470	C-POLYESTER;CQ921M TAPG 100V 103-K
C506	61637-206-100	C-ELEC;CEAP 35V 10M SA(5X11)
C507	61637-206-100	C-ELEC;CEAP 35V 10M SA(5X11)
C508	61637-208-010	C-ELEC;CEAP 50V 1M SA(5X11)
C509	61637-208-010	C-ELEC;CEAP 50V 1M SA(5X11)
C510	A1100-0504	CERAMIC AXIAL;CK OA X 16V 822N/X 16V 822NT
C511	A1100-0503	CERAMIC AXIAL;CK OA X 16V 682N/X 16V 682NT
C512	A1100-0503	CERAMIC AXIAL;CK OA X 16V 682N/X 16V 682NT
C513	61637-206-100	C-ELEC;CEAP 35V 10M SA(5X11)
C514	61507-121-470	C-POLYESTER;CQ921M TAPG 100V 103-K
C515	61507-121-520	C-POLYESTER;CQ921M TAPG 50V 273-K
C516	61637-206-100	C-ELEC;CEAP 35V 10M SA(5X11)
C517	61407-117-228	C-CERAMIC AXIAL;CK OAF 25V 223Z/F 25V 203ZT
C518	61637-505-101	C-ELEC;CEAP 25V 100M SG(6.3X11)
C519	61637-205-470	C-ELEC;CEAP 25V 47M SA(6X11)
C520	61507-121-430	C-POLYESTER;CQ921M TAPG 100V 472-K
C521	61507-121-630	C-POLYESTER;CQ921M TAPG 100V 123-K
C522	61407-101-440	C-CERAMIC TEMP;CC45 SL TAPG 50V 220-J
C523	B1102-0113	C-FILM;CQ298PVT 473J/E CQV1473JZ3
C524	61507-121-430	C-POLYESTER;CQ921M TAPG 100V 472-K
C525	61507-121-451	C-POLYESTER;CQ921M TAPG 100V 682-J
C526	61637-208-479	C-ELEC;CEAP 50V 4.7M SA(5X11)
C527	61617-406-100	C-ELEC;CEAP 35V 10M RSS(6.3X7)
CN501	63054-307-220	FLAT CABLE;2878 AWG 26 7C 220mm
CN502	B6010-0436	CONNECTOR-WAFER;TMC-E02X-A1 BLK STICK
D501	62169-406-482	DIODE;1N4148 SAMSUNG
D502	62169-406-482	DIODE;1N4148 SAMSUNG
D503	62169-406-482	DIODE;1N4148 SAMSUNG
IC501	B4008-0751	IC;LA7285DIP
L501	62427-813-153	COIL-PEAKING;EL0607RA 15mH-J

I.O. NO. PART NO. DESCRIPTION SPECIFICATION

L502	62427-813-153	COIL-PEAKING;EL0607RA 15mH-J
L504	62427-812-101	COIL-PEAKING;EL0606RA 100uH-J
L505	62427-014-138	COIL-BIAS OSC;269QN-K5022 YCT STICK
Q501	62137-702-020	TRANSISTOR;KSC 1008-Y TAPG
Q502	62137-701-013	TRANSISTOR;KSR 1004 TAPG
Q503	62147-401-850	TRANSISTOR;DTA 143ES TAPG
R501	61048-177-333	R-CARBON;RD 1/8 T 333-J
R502	61048-177-101	R-CARBON;RD 1/8 T 101-J
R503	61048-177-750	R-CARBON;RD 1/8 T 750-J
R504	61048-177-103	R-CARBON;RD 1/8 T 103-J
R505	61048-177-152	R-CARBON;RD 1/8 T 152-J
R506	61048-177-103	R-CARBON;RD 1/8 T 103-J
R507	61048-177-225	R-CARBON;RD 1/8 T 225-J
R508	61048-177-183	R-CARBON;RD 1/8 T 183-J
R509	61048-177-623	R-CARBON;RD 1/8 T 623-J
R510	61048-177-123	R-CARBON;RD 1/8 T 123-J
R511	61048-177-473	R-CARBON;RD 1/8 T 473-J
R512	61048-177-821	R-CARBON;RD 1/8 T 821-J
R513	61048-177-222	R-CARBON;RD 1/8 T 222-J
R514	61048-177-183	R-CARBON;RD 1/8 T 183-J
R515	61048-177-392	R-CARBON;RD 1/8 T 392-J
R516	61048-177-821	R-CARBON;RD 1/8 T 821-J
R517	61048-177-561	R-CARBON;RD 1/8 T 561-J
R518	61048-177-223	R-CARBON;RD 1/8 T 223-J
R519	61048-177-223	R-CARBON;RD 1/8 T 223-J
R520	61048-177-223	R-CARBON;RD 1/8 T 223-J
R521	61048-177-223	R-CARBON;RD 1/8 T 223-J
R522	61048-177-303	R-CARBON;RD 1/8 T 303-J
R523	61048-177-479	R-CARBON;RD 1/8 T 479-J
R524	61048-177-122	R-CARBON;RD 1/8 T 122-J
R525	61048-177-223	R-CARBON;RD 1/8 T 223-J
R526	61048-177-203	R-CARBON;RD 1/8 T 203-J
R527	61048-177-203	R-CARBON;RD 1/8 T 203-J
R528	61048-177-512	R-CARBON;RD 1/8 T 512-J
R529	61048-177-334	R-CARBON;RD 1/8 T 334-J
VR501	61247-101-104	VR-SEMI.EVN-DJA A03B15 TAPG 100KB

SYSTEM CONTROL PARTS

612	63322-0173-00	HOLDER-TR;POM BLK
613	63322-0174-00	HOLDER-LED;POM BLK
614	63323-0060-00	HOLDER-PHOTO INTER;POM M90-44 H14.1 WHT(WINNER)
BD601	62429-958-628	INDUCTOR FERRITE BEAD;BL02RN1-R62T2
C601	61407-117-104	C-CERAMIC AXIAL;CAX Y TAPG 16V 0.01-N
C602	61407-117-104	C-CERAMIC AXIAL;CAX Y TAPG 16V 0.01-N
C603	A1100-0561	C-CERAMIC;CK OA Y 50V T 2200-N
C604	A1100-0561	C-CERAMIC;CK OA Y 50V T 2200-N
C605	61637-206-100	C-ELEC;CEAP 35V 10M SA(5X11)
C606	61407-117-150	C-CERAMIC AXIAL;CAX SL TAPG 50V 15-J
C607	61407-117-150	C-CERAMIC AXIAL;CAX SL TAPG 50V 15-J
C608	61417-109-210	C-CERAMIC HK;CK45F TAPG 50V 104-Z
C609	61417-109-210	C-CERAMIC HK;CK45F TAPG 50V 104-Z
C610	61637-502-222	C-ELEC;CE04V 6.3V 2200M TAPG
C611	61637-205-470	C-ELEC;CEAP 25V 47M SA(6X11)
C612	61407-117-104	C-CERAMIC AXIAL;CAX Y TAPG 16V 0.01-N
C615	61617-404-470	C-ELEC;CEAP 16V 47M RSS(6.3X7)
C617	A1100-0503	CERAMIC AXIAL;CK OA X 16V 682N/X 16V 682NT
C620	61617-404-470	C-ELEC;CEAP 16V 47M RSS(6.3X7)
CN601	A6010-0405	CONNECTOR-WAFER;20-5082-014;GB120-14P-LS BLK
CN602	A6010-0405	CONNECTOR-WAFER;20-5082-014;GB120-14P-LS BLK
CN603	B6010-0256	CONNECTOR WAFER;52556-0790 WHT
D601	62169-406-482	DIODE;1N4148 SAMSUNG
D602	62169-406-482	DIODE;1N4148 SAMSUNG
D603	B4104-0046	DIODE-RECT;1N4002GP 200V 1A
D604	62169-406-482	DIODE;1N4148 SAMSUNG
D606	62169-406-482	DIODE;1N4148 SAMSUNG
IC601	B4002-0189	IC-MCU;HD6433724B/26F SEA(MONO) QFP
IC602	A4008-0754	IC;KA7533
IC603	62119-401-300	IC;KA8301(N.M)
IC605	62119-101-770	IC;TC4094BP/CD4094BCN

LO NO PART-NO DESCRIPTION SPECIFICATION

L601	62427-020-010	COIL PEAKING AXIAL:LAL02TB 1RQJ TAPG
PT601	66419-0001-00	INTERUPTER-PHOTO.SG-105LF
PT602	66419-0001-00	INTERUPTER-PHOTO.SG-105LF
Q601	62137-302-740	TRANSISTOR.KSC 945-Y TAPG
Q602	62137-302-740	TRANSISTOR.KSC 945-Y TAPG
Q603	62137-103-380	TRANSISTOR.KSA 733-Y TAPG
Q604	62137-701-013	TRANSISTOR.KSR 1004 TAPG
Q605	62137-701-013	TRANSISTOR.KSR 1004 TAPG
R601	61048-177-391	R-CARBON.RD 1/8 T 391-J
R602	61048-177-224	R-CARBON.RD 1/8 T 224-J
R603	61048-177-224	R-CARBON.RD 1/8 T 224-J
R604	61048-177-391	R-CARBON.RD 1/8 T 391-J
R605	61048-177-472	R-CARBON.RD 1/8 T 472-J
R606	61048-177-472	R-CARBON.RD 1/8 T 472-J
R607	61048-177-472	R-CARBON.RD 1/8 T 472-J
R608	61048-177-472	R-CARBON.RD 1/8 T 472-J
R609	61048-177-303	R-CARBON.RD 1/8 T 303-J
R610	61048-177-203	R-CARBON.RD 1/8 T 203-J
R611	61048-177-472	R-CARBON.RD 1/8 T 472-J
R612	61048-177-102	R-CARBON.RD 1/8 T 102-J
R613	61048-177-102	R-CARBON.RD 1/8 T 102-J
R614	61048-177-102	R-CARBON.RD 1/8 T 102-J
R615	61048-177-102	R-CARBON.RD 1/8 T 102-J
R616	61048-177-102	R-CARBON.RD 1/8 T 102-J
R617	61048-177-102	R-CARBON.RD 1/8 T 102-J
R618	61048-177-224	R-CARBON.RD 1/8 T 224-J
R619	61048-177-224	R-CARBON.RD 1/8 T 224-J
R620	61048-177-511	R-CARBON.RD 1/8 T 511-J
R621	61048-177-683	R-CARBON.RD 1/8 T 683-J
R622	61048-177-105	R-CARBON.RD 1/8 T 105-J
R624	61048-177-102	R-CARBON.RD 1/8 T 102-J
R625	61048-177-102	R-CARBON.RD 1/8 T 102-J
R626	61048-177-102	R-CARBON.RD 1/8 T 102-J
R627	61048-177-102	R-CARBON.RD 1/8 T 102-J
R628	61048-177-203	R-CARBON.RD 1/8 T 203-J
R629	61048-177-203	R-CARBON.RD 1/8 T 203-J
R630	61048-177-203	R-CARBON.RD 1/8 T 203-J
R631	61048-177-203	R-CARBON.RD 1/8 T 203-J
R632	61048-177-203	R-CARBON.RD 1/8 T 203-J
R635	61048-177-102	R-CARBON.RD 1/8 T 102-J
R636	61048-177-102	R-CARBON.RD 1/8 T 102-J
R637	61048-177-102	R-CARBON.RD 1/8 T 102-J
R638	61048-177-270	R-CARBON.RD 1/8 T 270-J
R639	61048-177-102	R-CARBON.RD 1/8 T 102-J
R640	61048-177-102	R-CARBON.RD 1/8 T 102-J
R641	61048-177-102	R-CARBON.RD 1/8 T 102-J
R642	61048-177-102	R-CARBON.RD 1/8 T 102-J
R643	61048-177-102	R-CARBON.RD 1/8 T 102-J
R644	61048-177-102	R-CARBON.RD 1/8 T 102-J
R645	61048-177-102	R-CARBON.RD 1/8 T 102-J
R646	61048-177-102	R-CARBON.RD 1/8 T 102-J
R647	61048-177-102	R-CARBON.RD 1/8 T 102-J
R648	61048-177-102	R-CARBON.RD 1/8 T 102-J
R649	61048-177-102	R-CARBON.RD 1/8 T 102-J
R650	61048-177-474	R-CARBON.RD 1/8 T 474-J
R651	61048-177-243	R-CARBON.RD 1/8 T 243-J
R654	B1004-0229	R-METAL OXIDE.RS 1R 7.5-J/ERX1SJR5E
R655	B1004-0229	R-METAL OXIDE.RS 1R 7.5-J/ERX1SJR5E
R656	61048-177-102	R-CARBON.RD 1/8 T 102-J
R657	61048-177-102	R-CARBON.RD 1/8 T 102-J
R658	61048-177-104	R-CARBON.RD 1/8 T 104-J
R659	61048-177-104	R-CARBON.RD 1/8 T 104-J
R660	61048-177-682	R-CARBON.RD 1/8 T 682-J
R661	61048-177-513	R-CARBON.RD 1/8 T 513-J
R662	61048-177-122	R-CARBON.RD 1/8 T 122-J
R664	61048-177-102	R-CARBON.RD 1/8 T 102-J
R665	61048-177-102	R-CARBON.RD 1/8 T 102-J
R667	61048-177-102	R-CARBON.RD 1/8 T 102-J
R668	61048-177-562	R-CARBON.RD 1/8 T 562-J
R669	61048-177-102	R-CARBON.RD 1/8 T 102-J

LO NO PART-NO DESCRIPTION SPECIFICATION

R670	61048-177-102	R-CARBON.RD 1/8 T 102-J
R672	61048-177-152	R-CARBON.RD 1/8 T 152-J
R673	61048-177-333	R-CARBON.RD 1/8 T 333-J
R674	61048-177-102	R-CARBON.RD 1/8 T 102-J
R675	61048-177-102	R-CARBON.RD 1/8 T 102-J
R680	61048-177-221	R-CARBON.RD 1/8 T 221-J
R681	61048-177-103	R-CARBON.RD 1/8 T 103-J
R682	61048-177-103	R-CARBON.RD 1/8 T 103-J
R683	61048-177-103	R-CARBON.RD 1/8 T 103-J
R684	61048-177-103	R-CARBON.RD 1/8 T 103-J
R685	61048-177-103	R-CARBON.RD 1/8 T 103-J
RS601	66209-0008-00	SWITCH-REC.MPU 10105 MMB0 5V
S601	66219-0010-00	SENSOR-PHOTO TRANSISTOR.PT 493F
S602	66219-0010-00	SENSOR-PHOTO TRANSISTOR.PT 493F
S603	62309-112-043	LED IR.GL-451(SHARP)
XT601	B1283-0036	RESONATOR-CERAMIC.8MHZEFOEC8004T 4 3/CN J TAPG
XT602	64539-021-009	CRYSTAL.32.768KHZ

INPUT SELECTION PARTS

C801	61637-206-100	C-ELEC.CEAP 35V 10M SA(5X11)
C802	61617-406-100	C-ELEC.CEAP 35V 10M RSS(5X7)
C803	61407-117-228	C-CERAMIC.AXIAL:CK OAF 25V 223Z/F 25V 203ZT
C804	61617-405-470	C-ELECTROLYTIC:CE04W TAPG 25V 47M(RSS 6.3X7)
C805	61407-117-228	C-CERAMIC.AXIAL:CK OAF 25V 223Z/F 25V 203ZT
C806	61637-503-471	C-ELEC.CEAP 10V 470M SG(8X11.5)
C807	61617-406-100	C-ELEC.CEAP 35V 10M RSS(5X7)
C808	61617-406-100	C-ELEC.CEAP 35V 10M RSS(5X7)
Q801	62137-103-380	TRANSISTOR.KSA 733-Y TAPG
R801	61048-177-750	R-CARBON.RD 1/8 T 750-J
R802	61048-177-562	R-CARBON.RD 1/8 T 562-J
R804	61018-377-391	R-CARBON.RD 1/2 T 391-J
R805	61048-177-102	R-CARBON.RD 1/8 T 102-J
R806	61048-177-750	R-CARBON.RD 1/8 T 750-J
IC801	62119-401-302	IC:KA8402(TA7347P)
JK801	A3040-0066	JACK-PIN/PI2 DSP-9113 4P

OSD PARTS

C901	61617-404-470	C-ELEC.CEAP 16V 47M RSS(6.3X7)
C902	61407-117-101	C-CERAMIC.AXIAL:UP050F 104Z
C903	61407-117-220	C-CERAMIC.AXIAL:CAX SL TAPG 50V 22-J
C904	61407-117-220	C-CERAMIC.AXIAL:CAX SL TAPG 50V 22-J
C905	61407-117-104	C-CERAMIC.AXIAL:CAX Y TAPG 16V 0.01-N
C906	61407-117-104	C-CERAMIC.AXIAL:CAX Y TAPG 16V 0.01-N
C907	61617-404-470	C-ELEC.CEAP 16V 47M RSS(6.3X7)
C908	61407-117-228	C-CERAMIC.AXIAL:CK OAF 25V 223Z/F 25V 203ZT
C909	61617-406-100	C-ELEC.CEAP 35V 10M RSS(5X7)
C910	61407-117-102	C-CERAMIC.AXIAL:CAX B TAPG 102-K
C911	A1100-0562	C-CERAMIC:CK OA Y 50V T 1800-N
C912	61407-117-470	C-CERAMIC.AXIAL:CAX SL TAPG 50V 47-J
C913	61617-408-010	C-ELEC.CEAP 50V 1M RSS(4X7)
C914	61407-117-680	C-CERAMIC.AXIAL:CAX SL TAPG 50V 68-J
C915	61407-117-680	C-CERAMIC.AXIAL:CAX SL TAPG 50V 68-J
C916	61407-117-470	C-CERAMIC.AXIAL:CAX SL TAPG 50V 47-J
C917	61407-117-470	C-CERAMIC.AXIAL:CAX SL TAPG 50V 47-J
C918	61617-408-479	C-ELEC.CEAP 50V 47M RSS(4X7)
C920	61617-404-470	C-ELEC.CEAP 16V 47M RSS(6.3X7)
C921	61617-408-010	C-ELEC.CEAP 50V 1M RSS(4X7)
C922	61407-117-103	C-CERAMIC.AXIAL:CAX B TAPG 100-K
C923	61617-408-010	C-ELEC.CEAP 50V 1M RSS(4X7)
C924	61617-408-339	C-ELEC.CEAP 50V 33M RSS(4X7)
C925	61407-117-101	C-CERAMIC.AXIAL:UP050F 104Z
C928	61407-117-470	C-CERAMIC.AXIAL:CAX SL TAPG 50V 47-J
C929	61407-117-184	C-CERAMIC.AXIAL:CAX B TAPG 50V 180-K
D901	62169-406-482	DIODE:1N4148 SAMSUNG
D902	62169-406-482	DIODE:1N4148 SAMSUNG
D903	62169-406-482	DIODE:1N4148 SAMSUNG
D904	62169-406-482	DIODE:1N4148 SAMSUNG
D905	62169-406-482	DIODE:1N4148 SAMSUNG

LO NO	PART NO	DESCRIPTION SPECIFICATION
-------	---------	---------------------------

D906	62169-406-482	DIODE:1N4148 SAMSUNG
D907	62169-406-482	DIODE:1N4148 SAMSUNG
D908	62169-406-482	DIODE:1N4148 SAMSUNG
D909	62169-406-482	DIODE:1N4148 SAMSUNG
IC901	A4008-1044	IC:K5513C-06 DIP
L901	62427-020-270	COIL PEAKING AXIAL:LAL02TB 270J TAPG
L902	62427-020-270	COIL PEAKING AXIAL:LAL02TB 270J TAPG
L903	62427-020-011	COIL PEAKING AXIAL:LAL02TB 100J TAPG
L904	62427-020-101	COIL PEAKING AXIAL:LAL02TB 101J TAPG
L905	62427-020-010	COIL PEAKING AXIAL:LAL02TB 100J TAPG
Q901	62137-701-013	TRANSISTOR:KSR 1004 TAPG
R901	61048-177-122	R-CARBON:RD 1/8 T 122-J
R902	61048-177-152	R-CARBON:RD 1/8 T 152-J
R903	61048-177-681	R-CARBON:RD 1/8 T 681-J
R904	61048-177-682	R-CARBON:RD 1/8 T 682-J
R905	61048-177-103	R-CARBON:RD 1/8 T 103-J
R906	61048-177-392	R-CARBON:RD 1/8 T 392-J
R908	61048-177-621	R-CARBON:RD 1/8 T 621-J
R909	61048-177-392	R-CARBON:RD 1/8 T 392-J
R910	61048-177-273	R-CARBON:RD 1/8 T 273-J
R911	61048-177-103	R-CARBON:RD 1/8 T 103-J
R912	61048-177-224	R-CARBON:RD 1/8 T 224-J
R914	61048-177-392	R-CARBON:RD 1/8 T 392-J
R916	61048-177-122	R-CARBON:RD 1/8 T 122-J
R918	61048-177-102	R-CARBON:RD 1/8 T 102-J
R919	61048-177-104	R-CARBON:RD 1/8 T 104-J
R923	61048-177-331	R-CARBON:RD 1/8 T 331-J
R928	61048-177-332	R-CARBON:RD 1/8 T 332-J
R929	61048-177-103	R-CARBON:RD 1/8 T 103-J
R930	61048-177-473	R-CARBON:RD 1/8 T 473-J
XT901	B1280-0035	CRYSTAL:14.318MHZ AT-51

601 69357-401-205 ASSY MAIN:W-2 NTSC 4HD MONO(VR5703/SEA)

POWER PARTS

C101	61637-208-100	C-ELEC:CEAP 50V 10M SA(5X11)
C102	61407-117-101	C-CERAMIC AXIAL:UP050F 104Z
C103	61617-408-479	C-ELEC:CEAP 50V 4.7M RSS(4X7)
CN101	A6010-0406	CONNECTOR-WAFER:18-5085-009-000 BLK
D101	B4104-0047	DIODE-RECT:GP15D 200V 1.5A
D102	B4104-0046	DIODE-RECT:1N4002GP 200V 1A
D103	62169-406-482	DIODE:1N4148 SAMSUNG
IC101	B4008-1011	IC-VOLT REGU:PQ12RE11 SIP
Q101	62147-401-835	TRANSISTOR:KSA 928A-Y TAPG
Q102	62137-701-022	TRANSISTOR:KSR 2003 TAPG
Q103	62137-701-010	TRANSISTOR:KSR 1001 TAPG
Q104	62137-302-441	TRANSISTOR:KSC 2328-Y TAPG
R101	61048-177-104	R-METAL FILM:RM 1/8 T 104-J
R102	61048-277-271	R-METAL FILM:RM 1/4 T 271-J
R103	61048-177-222	R-METAL FILM:RM 1/8 T 222-J
R104	61048-177-102	R-METAL FILM:RM 1/8 T 102-J
R105	61048-177-561	R-METAL FILM:RM 1/8 T 561-J
ZD101	62169-403-821	DIODE-ZENER:MTZ 5.1B
ZD102	62169-403-859	DIODE-ZENER:EQB01-33V(10COMW)TAPG

SERVO PARTS

C201	61507-121-551	C-POLYESTER:CQ921M TAPG 50V 473-J
C202	61637-205-470	C-ELEC:CEAP 25V 47M SA(6X11)
C203	61407-117-104	C-CERAMIC AXIAL:CAX Y TAPG 16V 0.01-N
C206	61637-208-479	C-ELEC:CEAP 50V 4.7M SA(5X11)
C207	61407-117-228	C-CERAMIC AXIAL:CK OAF 25V 223Z/F 25V 203ZT
C208	61407-101-440	C-CERAMIC TEMP:CC45 SL TAPG 50V 220-J
C209	61407-101-420	C-CERAMIC TEMP:CC45 SL TAPG 50V 180-J
C210	61637-204-220	C-ELEC:CEAP 16V 22M SA
C211	61637-206-100	C-ELEC:CEAP 35V 10M SA(5X11)
C212	61407-117-102	C-CERAMIC AXIAL:CAX B TAPG 102-K

LO NO	PART NO	DESCRIPTION SPECIFICATION
-------	---------	---------------------------

C213	61407-117-102	C-CERAMIC AXIAL:CAX B TAPG 102-K
C214	B1102-0112	C-FILM:CQ298PVT224J/ECOV1H224JZ3
C215	B1102-0129	C-FILM:CQ 922 M 50V T 822-J ECOV-B1H822-JF3
C216	61637-205-470	C-ELEC:CEAP 25V 47M SA(6X11)
C218	61617-405-470	C-ELECTROLYTIC:CE04W TAPG 25V 47M(RSS 6.3X7)
C220	61617-408-479	C-ELEC:CEAP 50V 4.7M RSS(4X7)
C221	61617-408-479	C-ELEC:CEAP 50V 4.7M RSS(4X7)
C222	61617-408-479	C-ELEC:CEAP 50V 4.7M RSS(4X7)
C223	61617-408-479	C-ELEC:CEAP 50V 4.7M RSS(4X7)
C224	61507-121-571	C-POLYESTER:CQ921M TAPG 100V 683-J
C225	61627-208-010	C-ELEC:CEAP 50V 1M NP(6X11)
C226	61637-208-010	C-ELEC:CEAP 50V 1M SA(5X11)
C227	61637-206-100	C-ELEC:CEAP 35V 10M SA(5X11)
C228	61637-206-100	C-ELEC:CEAP 35V 10M SA(5X11)
C229	61507-121-481	C-POLYESTER:CQ921M TAPG 50V 153-J
C230	61637-206-100	C-ELEC:CEAP 35V 10M SA(5X11)
C235	61617-406-100	C-ELEC:CEAP 35V 10M RSS(5X7)
C236	61417-109-210	C-CERAMIC HK:CK45F TAPG 50V 104-Z
C237	61407-117-228	C-CERAMIC AXIAL:CK OAF 25V 223Z/F 25V 203ZT
C238	61407-117-104	C-CERAMIC AXIAL:CAX Y TAPG 16V 0.01-N
C239	61417-109-210	C-CERAMIC HK:CK45F TAPG 50V 104-Z
C240	61407-117-101	C-CERAMIC AXIAL:UP050F 104Z
C241	61637-204-220	C-ELEC:CEAP 16V 22M SA
C259	61407-117-104	C-CERAMIC AXIAL:CAX Y TAPG 16V 0.01-N
C261	61617-406-100	C-ELEC:CEAP 35V 10M RSS(5X7)
CN201	B6010-0254	CONNECTOR WAFER:52556-0990 WHT
CN202	A6010-0092	CONNECTOR-WAFER:00-8283-0612-00 WHT 6P
D202	62169-406-482	DIODE:1N4148 SAMSUNG
D203	62169-406-482	DIODE:1N4148 SAMSUNG
D204	62169-406-482	DIODE:1N4148 SAMSUNG
D205	62169-406-482	DIODE:1N4148 SAMSUNG
IC201	A4002-0191	IC-MCU:KA8324 QFP
L201	62429-833-101	COIL-PEAKING AXIAL:BAL04ST 101K
L202	62429-833-101	COIL-PEAKING AXIAL:BAL04ST 101K
Q201	62137-103-380	TRANSISTOR:KSA 733-Y TAPG
Q211	A4050-0001	TRANSISTOR:2SD 1468SQ
R202	61048-177-102	R-METAL FILM:RM 1/8 T 102-J
R203	61048-177-684	R-METAL FILM:RM 1/8 T 684-J
R204	61048-177-103	R-METAL FILM:RM 1/8 T 103-J
R205	61048-177-102	R-METAL FILM:RM 1/8 T 102-J
R206	61048-177-271	R-METAL FILM:RM 1/8 T 271-J
R207	61048-177-823	R-METAL FILM:RM 1/8 T 823-J
R208	61048-177-684	R-METAL FILM:RM 1/8 T 684-J
R209	61048-177-683	R-METAL FILM:RM 1/8 T 683-J
R211	61048-177-132	R-METAL FILM:RM 1/8 T 132-J
R212	61048-177-103	R-METAL FILM:RM 1/8 T 103-J
R213	61048-177-473	R-METAL FILM:RM 1/8 T 473-J
R214	61048-177-103	R-METAL FILM:RM 1/8 T 103-J
R215	61048-177-513	R-METAL FILM:RM 1/8 T 513-J
R216	61048-177-104	R-METAL FILM:RM 1/8 T 104-J
R217	61048-177-563	R-METAL FILM:RM 1/8 T 563-J
R219	61048-177-134	R-METAL FILM:RM 1/8 T 134-J
R220	61048-177-104	R-METAL FILM:RM 1/8 T 104-J
R221	61048-177-124	R-METAL FILM:RM 1/8 T 124-J
R222	61048-177-183	R-METAL FILM:RM 1/8 T 183-J
R223	61048-177-105	R-METAL FILM:RM 1/8 T 105-J
R224	61048-177-473	R-METAL FILM:RM 1/8 T 473-J
R225	61048-177-105	R-METAL FILM:RM 1/8 T 105-J
R226	61048-177-564	R-METAL FILM:RM 1/8 T 564-J
R227	61048-177-393	R-METAL FILM:RM 1/8 T 393-J
R228	61048-177-273	R-METAL FILM:RM 1/8 T 273-J
R229	61048-177-105	R-METAL FILM:RM 1/8 T 105-J
R230	61048-177-274	R-METAL FILM:RM 1/8 TS 274-J
R232	61048-177-122	R-METAL FILM:RM 1/8 T 122-J
R234	61048-177-222	R-METAL FILM:RM 1/8 T 222-J
R235	61048-177-433	R-METAL FILM:RM 1/8 T 433-J
R236	61048-177-222	R-METAL FILM:RM 1/8 T 222-J
R237	61048-177-102	R-METAL FILM:RM 1/8 T 102-J
R239	61048-177-182	R-METAL FILM:RM 1/8 T 182-J
R240	61048-177-433	R-METAL FILM:RM 1/8 T 433-J

LO.NO	PART-NO	DESCRIPTION,SPECIFICATION
-------	---------	---------------------------

R242	61048-177-183	R-METAL FILM:RM 1/8 T 183-J
R243	61048-177-432	R-METAL FILM:RM 1/8 T 432-J
R244	61048-177-333	R-METAL FILM:RM 1/8 T 333-J
R245	61048-177-102	R-METAL FILM:RM 1/8 T 102-J
R246	61048-177-622	R-METAL FILM:RM 1/8 T 622-J
R247	61048-177-271	R-METAL FILM:RM 1/8 T 271-J
R250	61048-177-123	R-METAL FILM:RM 1/8 T 123-J
R261	61048-177-224	R-METAL FILM:RM 1/8 T 224-J
R262	61048-177-333	R-METAL FILM:RM 1/8 T 333-J
R263	61048-177-103	R-METAL FILM:RM 1/8 T 103-J
R264	61048-177-102	R-METAL FILM:RM 1/8 T 102-J
VR201	61247-101-224	VR-SEMI:EVN-DJA A03 BE5 TAPG 220KB
ZD203	62169-423-092	DIODE-ZENER:MTZ 6.8B/UZ 6.8BH
ZD204	62169-423-092	DIODE-ZENER:MTZ 6.8B/UZ 6.8BH

TUNER PARTS

C404	61637-205-470	C-ELEC:CEAP 25V 47M SA(6X11)
C407	61637-608-338	C-ELEC:CEAP 50V 0.33M SV(SX9)
L401	62429-833-101	COIL-PEAKING AXIAL:BA04ST 101K
SW401	A3006-0009	SW-SLIDE:KSA 1249
TM401	67179-0118-00	UNIT-TM BLOCK:TMVH1-011A(MONO)

AUDIO PARTS

C501	61507-121-250	C-POLYESTER:CQ921M TAPG 100V 272-K
C502	61507-121-341	C-POLYESTER:CQ921M TAPG 50V 102-J
C503	61637-208-010	C-ELEC:CEAP 50V 1M SA(5X11)
C504	61637-205-470	C-ELEC:CEAP 25V 47M SA(6X11)
C505	61507-121-470	C-POLYESTER:CQ921M TAPG 100V 103-K
C506	61637-206-100	C-ELEC:CEAP 35V 10M SA(5X11)
C507	61637-206-100	C-ELEC:CEAP 35V 10M SA(5X11)
C508	61637-208-010	C-ELEC:CEAP 50V 1M SA(5X11)
C509	61637-208-010	C-ELEC:CEAP 50V 1M SA(5X11)
C510	A1100-0504	CERAMIC AXIAL:CK OA X 16V 822N/X 16V 822NT
C511	A1100-0503	CERAMIC AXIAL:CK OA X 16V 682N/X 16V 682NT
C512	A1100-0503	CERAMIC AXIAL:CK OA X 16V 682N/X 16V 682NT
C513	61637-206-100	C-ELEC:CEAP 35V 10M SA(5X11)
C514	61507-121-470	C-POLYESTER:CQ921M TAPG 100V 103-K
C515	61507-121-520	C-POLYESTER:CQ921M TAPG 50V 273-K
C516	61637-206-100	C-ELEC:CEAP 35V 10M SA(5X11)
C517	61407-117-228	C-CERAMIC AXIAL:CK OAF 25V 223ZF 25V 203ZT
C518	61637-505-101	C-ELEC:CEAP 25V 100M SG(6.3X11)
C519	61637-205-470	C-ELEC:CEAP 25V 47M SA(6X11)
C520	61507-121-430	C-POLYESTER:CQ921M TAPG 100V 472-K
C521	61507-121-630	C-POLYESTER:CQ921M TAPG 100V 123-K
C522	61407-101-440	C-CERAMIC:TEMP:CC45 SL TAPG 50V 220-J
C523	B1102-0113	C-FILM:CQ98PVT 473J/ECQV1473JZ3
C524	61507-121-430	C-POLYESTER:CQ921M TAPG 100V 472-K
C525	61507-121-451	C-POLYESTER:CQ921M TAPG 100V 682-J
C526	61637-208-479	C-ELEC:CEAP 50V 4.7M SA(5X11)
C527	61617-406-100	C-ELEC:CEAP 35V 10M RSS(5X7)
CN501	63054-307-220	FLAT CABLE:2878 AWG 26 7C 220mm
CN502	B6010-0436	CONNECTOR-WAFER:TMC-E02X-A1 BLK STICK
D501	62169-406-482	DIODE:1N4148 SAMSUNG
D502	62169-406-482	DIODE:1N4148 SAMSUNG
D503	62169-406-482	DIODE:1N4148 SAMSUNG
IC501	B4008-0751	IC:LA7285 DIP
L501	62427-813-153	COIL-PEAKING:EL0607RA 15mH-J
L502	62427-813-153	COIL-PEAKING:EL0607RA 15mH-J
L504	62427-812-101	COIL-PEAKING:EL0606RA 100uH-J
L505	62427-014-138	COIL-BIAS OSC:269QN-K5022 YCT STICK
Q501	62137-702-020	TRANSISTOR:KSC 1008-Y TAPG
Q502	62137-701-013	TRANSISTOR:KSR 1004 TAPG
Q503	62147-401-850	TRANSISTOR:DTA 143ES TAPG
R501	61048-177-333	R-METAL FILM:RM 1/8 T 333-J
R502	61048-177-101	R-METAL FILM:RM 1/8 T 101-J
R503	61048-177-750	R-METAL FILM:RM 1/8 T 750-J
R504	61048-177-103	R-METAL FILM:RM 1/8 T 103-J
R505	61048-177-152	R-METAL FILM:RM 1/8 T 152-J

LO.NO	PART-NO	DESCRIPTION,SPECIFICATION
-------	---------	---------------------------

R506	61048-177-103	R-METAL FILM:RM 1/8 T 103-J
R507	61048-177-225	R-METAL FILM:RM 1/8 T 225-J
R508	61048-177-183	R-METAL FILM:RM 1/8 T 183-J
R509	61048-177-623	R-METAL FILM:RM 1/8 T 623-J
R510	61048-177-123	R-METAL FILM:RM 1/8 T 123-J
R511	61048-177-473	R-METAL FILM:RM 1/8 T 473-J
R512	61048-177-821	R-METAL FILM:RM 1/8 T 821-J
R513	61048-177-222	R-METAL FILM:RM 1/8 T 222-J
R514	61048-177-183	R-METAL FILM:RM 1/8 T 183-J
R515	61048-177-392	R-METAL FILM:RM 1/8 T 392-J
R516	61048-177-821	R-METAL FILM:RM 1/8 T 821-J
R517	61048-177-561	R-METAL FILM:RM 1/8 T 561-J
R518	61048-177-223	R-METAL FILM:RM 1/8 T 223-J
R519	61048-177-223	R-METAL FILM:RM 1/8 T 223-J
R520	61048-177-223	R-METAL FILM:RM 1/8 T 223-J
R521	61048-177-223	R-METAL FILM:RM 1/8 T 223-J
R522	61048-177-303	R-METAL FILM:RM 1/8 T 303-J
R523	61048-177-479	R-METAL FILM:RM 1/8 T 479-J
R524	61048-177-122	R-METAL FILM:RM 1/8 T 122-J
R525	61048-177-223	R-METAL FILM:RM 1/8 T 223-J
R526	61048-177-203	R-METAL FILM:RM 1/8 T 203-J
R527	61048-177-203	R-METAL FILM:RM 1/8 T 203-J
R528	61048-177-512	R-METAL FILM:RM 1/8 T 512-J
R529	61048-177-334	R-METAL FILM:RM 1/8 T 334-J
VR501	61247-101-104	VR-SEMI:EVN-DJA A03 B15 TAPG 100KB

SYSTEM CONTROL PARTS

612	63322-0173-00	HOLDER-TR:POM BLK
613	63322-0174-00	HOLDER-LED:POM BLK
614	63323-0060-00	HOLDER-PHOTO INTER:POM M90-44 H14.1 WHT(WINNER)
BD601	62429-958-628	INDUCTOR FERRITE BEAD:BL02RN1-R62T2
C601	61407-117-104	C-CERAMIC AXIAL:CAX Y TAPG 16V 0.01-N
C602	61407-117-104	C-CERAMIC AXIAL:CAX Y TAPG 16V 0.01-N
C603	A1100-0561	C-CERAMIC:CK OA Y 50V T 2200-N
C604	A1100-0561	C-CERAMIC:CK OA Y 50V T 2200-N
C605	61637-206-100	C-ELEC:CEAP 35V 10M SA(5X11)
C606	61407-117-150	C-CERAMIC AXIAL:CAX SL TAPG 50V 15-J
C607	61407-117-150	C-CERAMIC AXIAL:CAX SL TAPG 50V 15-J
C608	61417-109-210	C-CERAMIC:HK:CK45F TAPG 50V 104-Z
C609	61417-109-210	C-CERAMIC:HK:CK45F TAPG 50V 104-Z
C610	61637-502-222	C-ELEC:CE04W 6.3V 2200M TAPG
C611	61637-205-470	C-ELEC:CEAP 25V 47M SA(6X11)
C612	61407-117-104	C-CERAMIC AXIAL:CAX Y TAPG 16V 0.01-N
C615	61617-404-470	C-ELEC:CEAP 16V 47M RSS(6.3X7)
C617	A1100-0503	CERAMIC AXIAL:CK OA X 16V 682N/X 16V 682NT
C620	61617-404-470	C-ELEC:CEAP 16V 47M RSS(6.3X7)
CN601	A6010-0405	CONNECTOR-WAFER:20-5082-014/GB120-14P-LS BLK
CN602	A6010-0405	CONNECTOR-WAFER:20-5082-014/GB120-14P-LS BLK
CN603	B6010-0256	CONNECTOR WAFER:52556-0790 WHT
D601	62169-406-482	DIODE:1N4148 SAMSUNG
D602	62169-406-482	DIODE:1N4148 SAMSUNG
D603	B4104-0046	DIODE-RECT:1N4002GP 200V 1A
D604	62169-406-482	DIODE:1N4148 SAMSUNG
D606	62169-406-482	DIODE:1N4148 SAMSUNG
IC601	B4002-0189	IC-MCU:HD6433724B/26F SEA(MONO) QFP
IC602	A4008-0754	IC:KA7533
IC603	62119-401-300	IC:KA8301(N.M)
IC605	62119-101-770	IC:TC4094BP/CD4094BCN
L601	62427-020-010	COIL PEAKING AXIAL:LAL02TB 1R0J TAPG
PT601	66419-0001-00	INTERUPTER-PHOTO:SG-105LF
PT602	66419-0001-00	INTERUPTER-PHOTO:SG-105LF
Q601	62137-302-740	TRANSISTOR:KSC 945-Y TAPG
Q602	62137-302-740	TRANSISTOR:KSC 945-Y TAPG
Q603	62137-103-380	TRANSISTOR:KSA 733-Y TAPG
Q604	62137-701-013	TRANSISTOR:KSR 1004 TAPG
Q605	62137-701-013	TRANSISTOR:KSR 1004 TAPG
R601	61048-177-391	R-METAL FILM:RM 1/8 T 391-J
R602	61048-177-224	R-METAL FILM:RM 1/8 T 224-J
R603	61048-177-224	R-METAL FILM:RM 1/8 T 224-J