

Scans by Paul

SCH109



HITACHI

SERVICE MANUAL

VHS

VT-M161A,AW

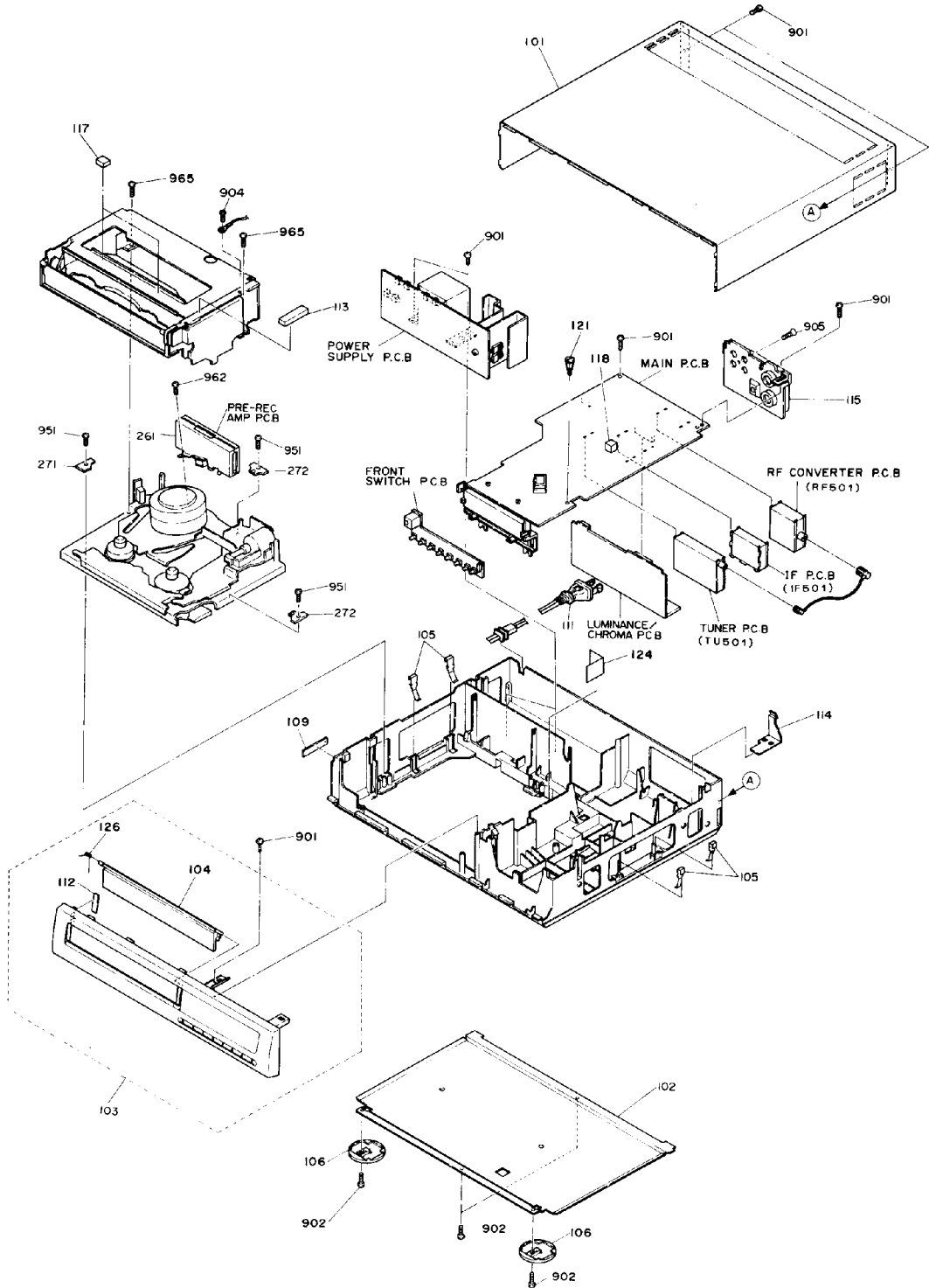
*Basic Parts List
and Power Supply
More on special Request....*

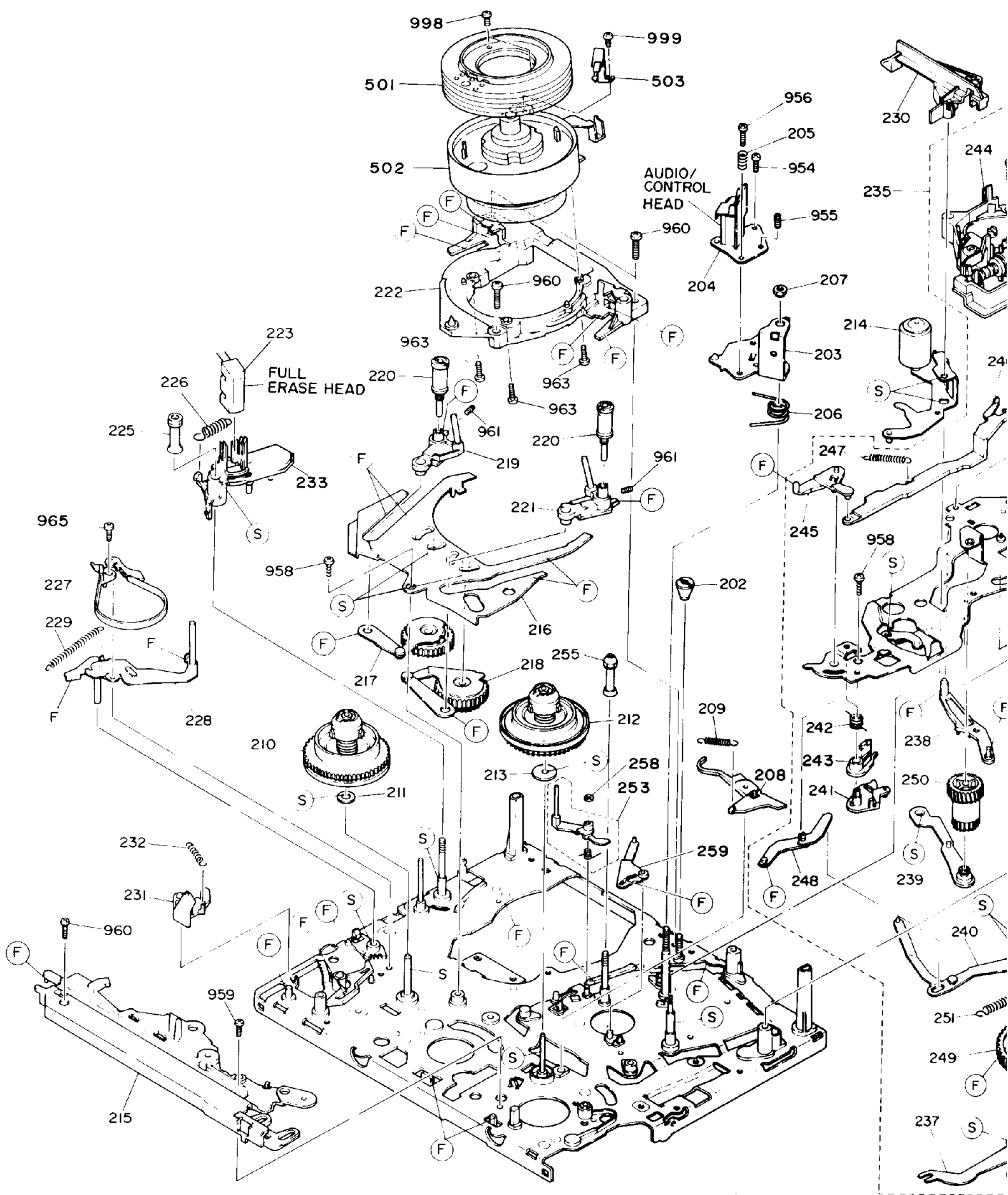
Video Cassette Recorder

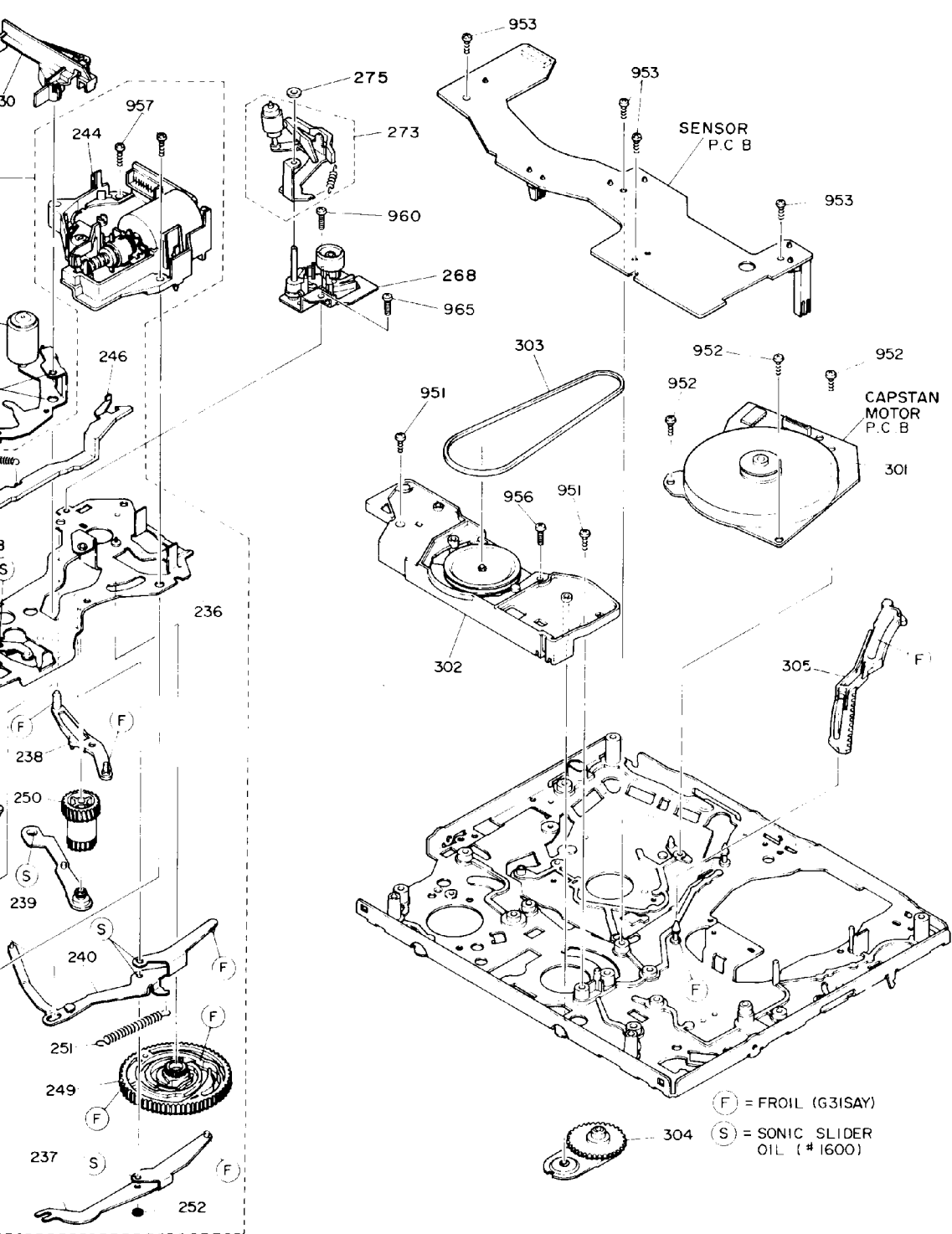


Distributed by:

Technical Connections



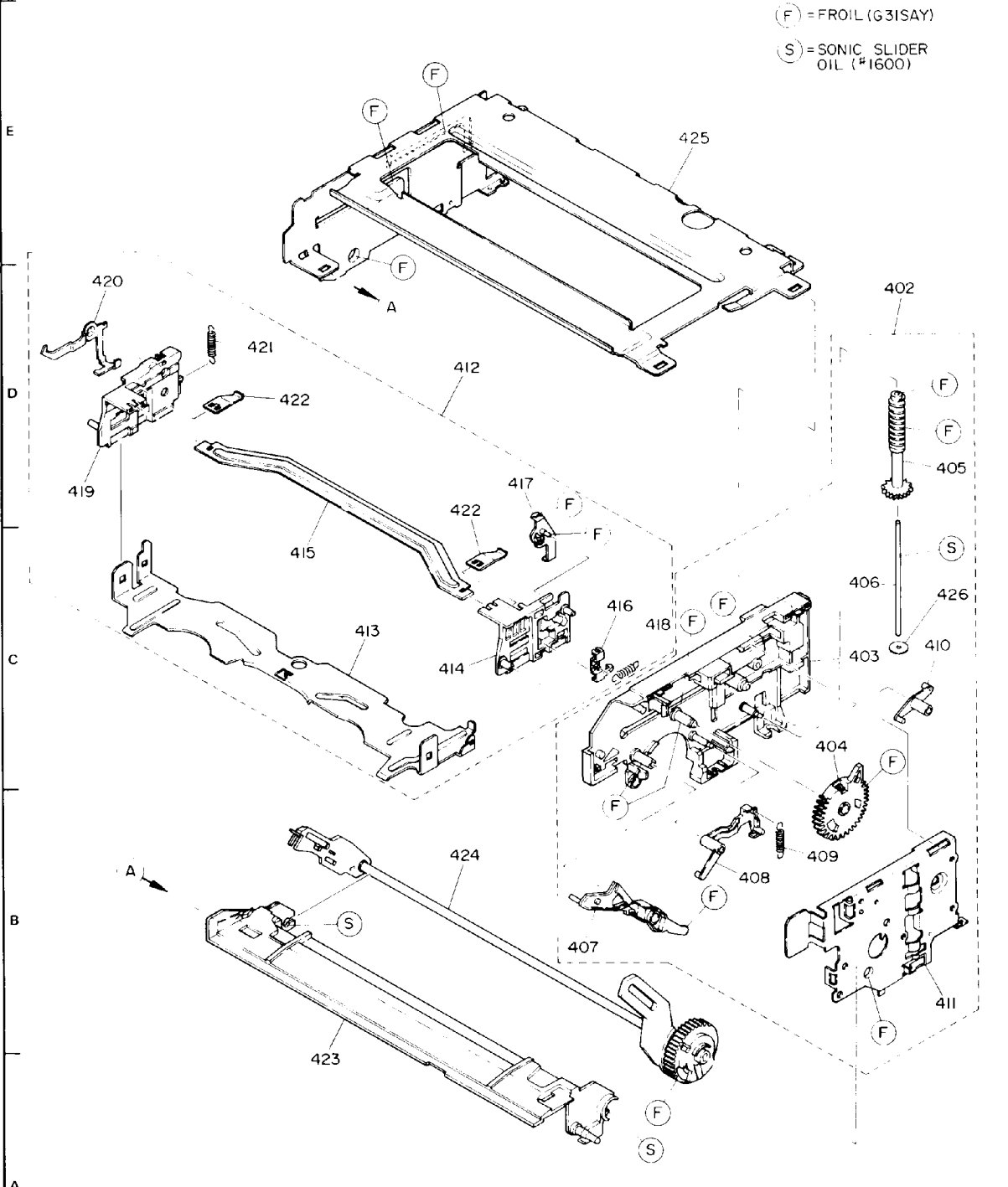




(F) = FROIL (G3ISAY)
 (S) = SONIC SLIDER OIL (#1600)

(F) = FROIL (G31SAY)

(S) = SONIC SLIDER
OIL (#1600)



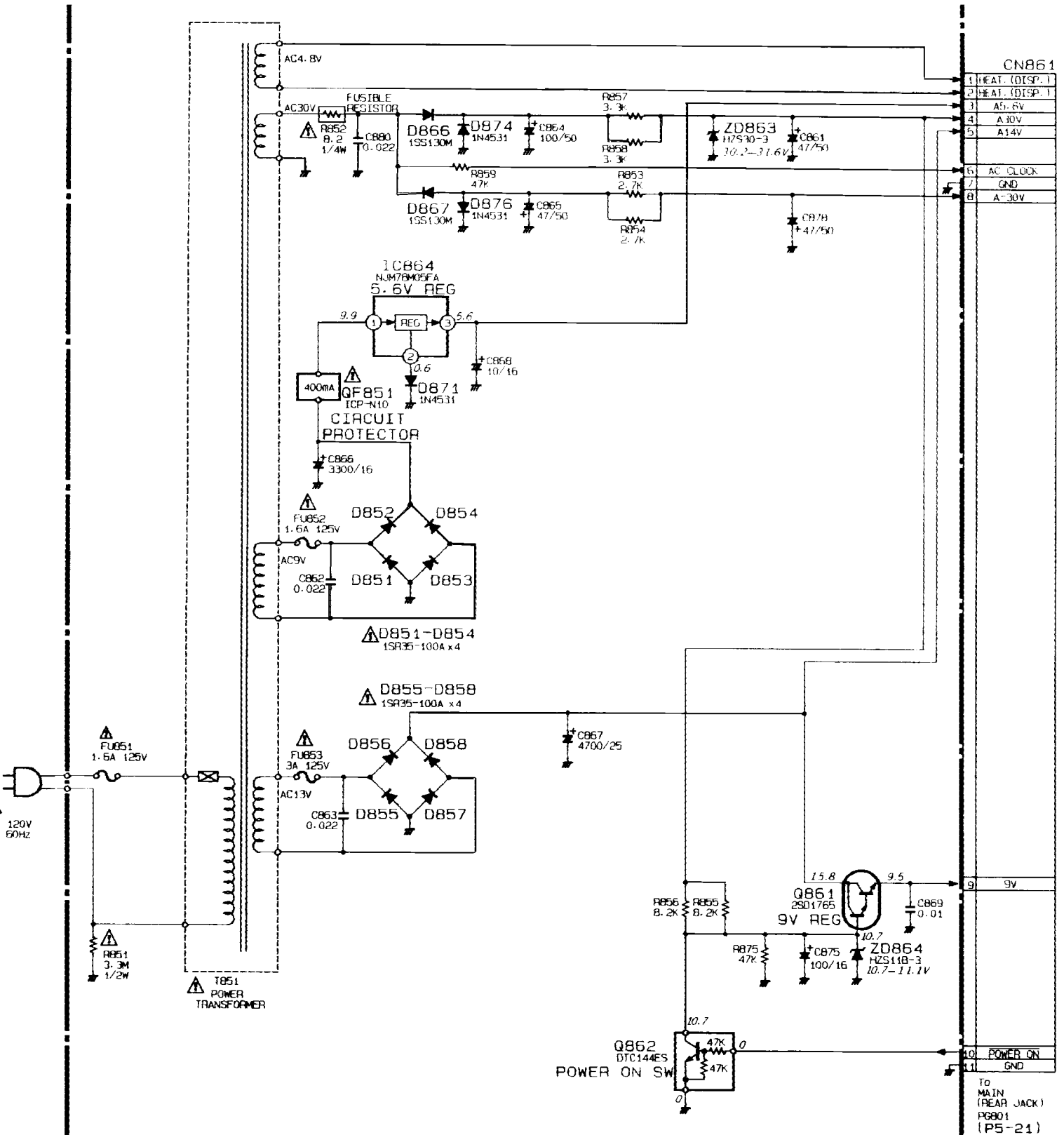
SYMBOL-No	P-No	DESCRIPTION	SYMBOL-No	P-No	DESCRIPTION
L 204	5159141	CHOKO COIL 100H	CP 201	5165271	LOW PASS FILTER
L 205	5159147	CHOKO COIL 330H	CP 202	5165095	FILTER, BAND PASS
L 206	5159149	CHOKO COIL 470H	CP 204	5786331	DELAY LINE
L 207	5159077	CHOKO COIL 1000H+-10%	CP 205	5163574	FILTER, BAND PASS
L 208	5159077	CHOKO COIL 1000H+-10%	CP 206	5165053	LC FILTER
L 209	5121184	COIL 1000H	CP 207	5165281	HIGHT PASS FILTER
L 210	5159152	CHOKO COIL 680H	△ FU 851	5722651	FUSE 1.6A(VT-M161A)
L 211	5159149	CHOKO COIL 470H	△ FU 851	5721479	FUSE 1.25A(VT-M161AW)
L 212	5159141	CHOKO COIL 100H	△ FU 852	5722651	FUSE 1.6A
L 214	5159077	CHOKO COIL 1000H+-10%	△ FU 853	5721408	FUSE 3A
L 215	5159144	CHOKO COIL 180H	IF 501	5583825	PWB ASSY DEMODULATOR
L 216	5159152	CHOKO COIL 680H	JK 501	5696032	JACK
L 217	5159152	CHOKO COIL 680H	RF 501	5589241	PWB ASSY RF MOD/ANT SW/SPLIT
L 219	5159077	CHOKO COIL 1000H+-10%	S 141	5635321	SWITCH
L 401	5159114	CHOKO COIL 150H	S 142	5635331	SWITCH
L 402	5159143	CHOKO COIL 2200H	△ S 851	5605341	SWITCH (VT-M161AW)
L 501	5159073	CHOKO COIL 470H+-10%	S1751	5634884	SWITCH
L 504	5159077	CHOKO COIL 1000H+-10%	S1752	5634884	SWITCH
L 508	5159077	CHOKO COIL 1000H+-10%	S1753	5634884	SWITCH
L1201	5159077	CHOKO COIL 1000H+-10%	S1754	5634884	SWITCH
L1203	5159144	CHOKO COIL 180H	S1755	5634884	SWITCH
L1204	5159158	CHOKO COIL 2200H	S1756	5634884	SWITCH
L1205	5159077	CHOKO COIL 1000H+-10%	S1757	5634884	SWITCH
L1206	5159147	CHOKO COIL 330H	S1758	5634884	SWITCH
L1401	5159077	CHOKO COIL 1000H+-10%	SCR851	5390191	THYRISTOR CR8AM (VT-M161AW)
L1402	5159143	CHOKO COIL 150H	TU 501	5502161	PWB ASSY UHF VHF TUNER
L1403	5159077	CHOKO COIL 1000H+-10%	V 751	5315321	FLOURESCENT INDICATOR TUBE
CRYSTALS					
X 201	5781901	CRYSTAL			
X 751	5778071	CRYSTAL			
X1401	5778311	CRYSTAL			
MISCELLANEOUS					
BL 751	5272376	FILTER			

MECHANICAL PARTS LIST

SYMBOL-No	P-No	DESCRIPTION	SYMBOL No	P No	DESCRIPTION
FOR FINAL ASSEMBLY					
101	6009661	COVER, TOP	208	6820341	ARM
102	6006933	COVER, BOTTOM	209	6555501	SPRING
103	4722043	PANEL, FRONT	210	6416121	REEL TABLE, SUPPLY
104	4723341	DOOR, CASSETTE	211	7789123	POLYSLIDER WASHER
105	6527586	PLATE	212	6416131	REEL TABLE, TAKE UP
106	6442472	INSULATOR	213	7789122	POLYSLIDER WASHER
109	7674013	CUSHION	214	6975766	ARM, PRESSER ROLLER
△ 111	5850753	CORD, POWER	215	6804273	BLOCK, SLIDER
112	6812091	DOOR, STOPPER	216	7412822	PLATE
113	4330231	FILT	217	7429651	GEAR, LOADING(L)
114	6528141	PLATE	218	7429661	GEAR, LOADING(R)
115	6485197	PANEL, REAR	219	6911551	GUIDE ROLLER BASE (IN)
117	6562611	CUSHION, RUBBER	220	6424261	ROLLER, GUIDE
118	6562614	CUSHION, RUBBER	221	6911573	GUIDE ROLLER BASE (OUT)
121	6802271	BRACKET	222	6897071	BASE, CYL
124	7703224	SPACER	223	5445851	HEAD FULL BRASE
126	6552334	SPRING	225	4508237	GUIDE, TAPE
202	6915922	SCREW	226	6555431	SPRING
203	7469871	BASE	227	7413665	HOLDER-BAND
204	5434061	HEAD, AC	228	7412863	ARM
205	6304906	SPRING	229	6555446	SPRING
206	6522752	SPRING	230	6897265	BRACKET
207	7785673	NUT	231	6896752	ARM
			232	6555061	SPRING
			233	6820351	ARM

SYMBOL-No	P-No	DESCRIPTION	YMBOL-No	P-No	DESCRIPTION
235	7468856	LOADING BLOCK	419	6896673	HOLDER, CASSETTE (L)
236	7398631	BRACKET	420	7412944	ARM
237	7412881	ARM	421	6555772	SPRING
238	6976551	ARM	422	7412953	SPRING
239	7412893	ARM	423	6806531	HOLDER, FRONT
240	7428072	ARM OPERATION	424	7580791	SHAFT ASSY
241	6896903	BRAKE	425	7412552	BRACKET
242	6551153	SPRING	426	7794391	WASHER
243	6804792	BRAKE	501	5457962	UPPER CYLINDER (CY-Z2N)
244	6896895	HOLDER, MOTOR	502	5436317	CYLINDER, LOWER (CY-Z2NC-L)
245	6896852	ARM	503	5792635	BRUSH, CYLINDER
246	6897251	ARM	901	8699410	SCREW (3X10)
247	6555483	SPRING	902	8699412	SCREW (3X12) BLACK
248	6897271	ARM	904	8691406	3X6 BT BIND SCREW
249	6897066	GEAR, MODE	905	7781582	FALT SCREW-3MMDX10MM (BLACK)
250	6434861	WORM WHEEL	951	8691410	SCREW
251	6555052	SPRING	952	8691308	SCREW BT2.6MMDX8MM
252	7799012	WASHER	953	8699408	SCREW
253	6976372	ARM	954	7781872	SCREW-3MMDX8MM
255	4508235	GUIDE	955	7773086	SCREW
258	7786623	POLYSLIDER WASHER	956	8741414	SCREW (3X14)
259	6898472	ARM, IDLE	957	8691412	SCREW (3X12)
261	4133342	PWB ASSY PRE AMP	958	8691408	SCREW (3X8)
268	7472092	BRACKET	959	8711406	SCREW - 3X6 PAN HEAD SCREW
271	7429631	BRACKET	960	8741412	SCREW (B3X12)
272	7429641	BRACKET	961	7785941	SCREW
273	7472125	ARM	962	8711404	SCREW - 3X4 PAN HEAD SCREW
275	7788348	WASHER	963	7775581	SCREW (M3X14)
301	5571741	MOTOR, CAPSTAN	965	8741408	SCREW (B3X8)
302	6804834	BASE	998	7784131	SCREW (3X8)
303	6351555	BELT	999	8711405	SCREW (3X5)
304	6897095	ARM, FF/REW			
305	6434852	RACK			FUR ACCESSORIES
402	6804982	BRACKET		5614898	REMOTE HAND SET
403	6804962	BRACKET		5857952	VCR COAXIAL RF CABLE
404	6896971	WORM WHEEL ASSY		5662611	SIEMENS PLUG
405	6435571	WORM			
406	4508221	WORM SHAFT			
407	6804992	BRACKET			
408	6896632	ARM-SWITCH			
409	5302474	SPRING			
410	6897041	ARM-SWITCH			
411	7412583	BRACKET-GEAR			
412	7449178	HOLDER			
413	7449164	BASE, CASSETTE HOLDER			
414	6896664	HOLDER, CASSETTE (R)			
415	7428113	HOLDER, STAY			
416	6820361	ARM			
417	6897001	ARM			
418	6556241	SPRING			

POWER SUPPLY SCHEMATIC DIAGRAM(FOR A)



* ONE VOLTAGE:PB OR REC MODE
TWO VOLTAGES:PB AND (REC)MODE

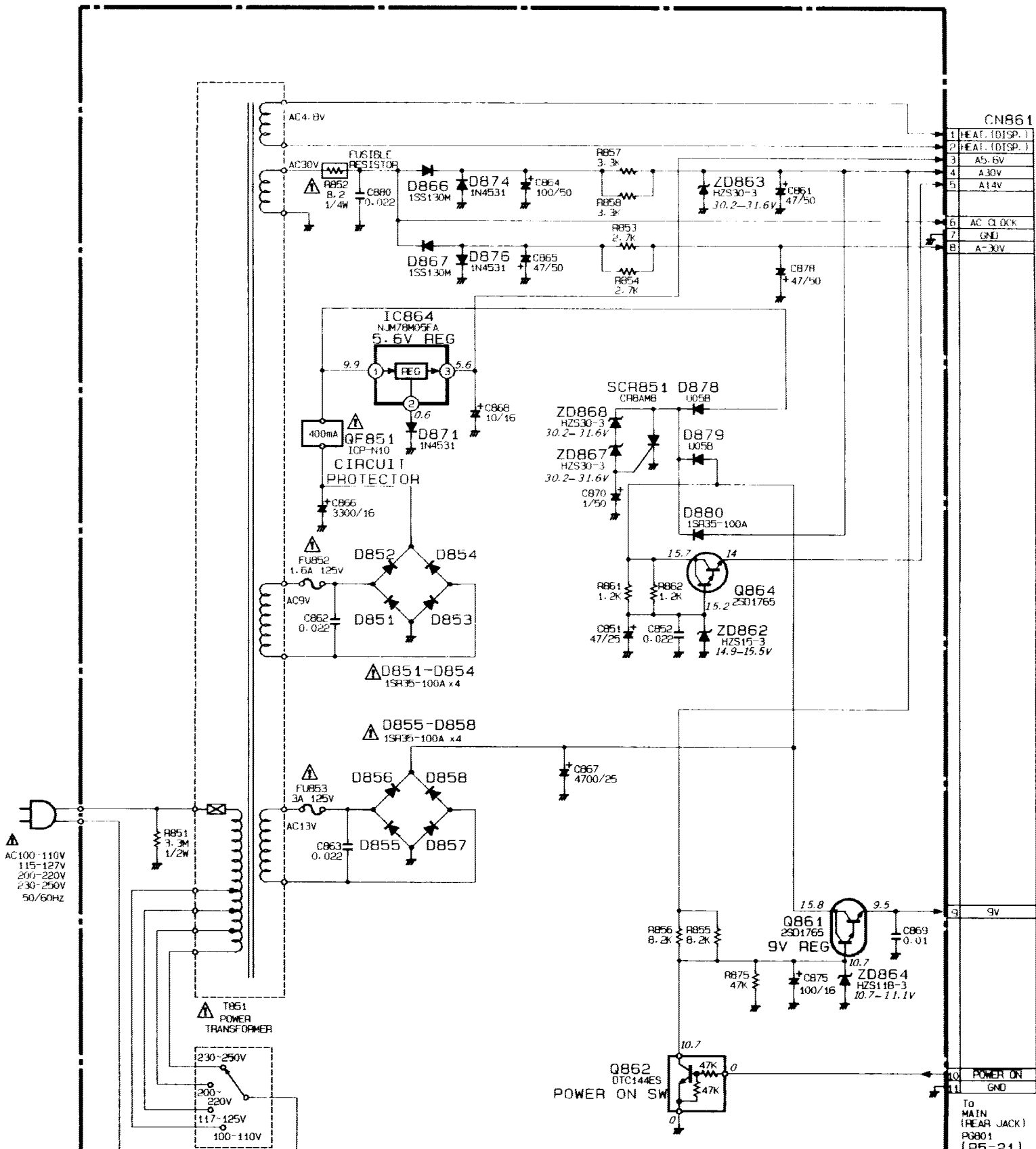
CAUTION : FOR CONTINUED PROTECTION AGAINST FIREHAZARD
REPLACE ONLY WITH THE SAME TYPE 1.6A 125V FUSE.
ATTENTION : POUR UNE PROTECTION CONTINUE LES
RISQUES D'INCENDIE.N UTILISER QUE DES FUSIBLE
DE MEME TYPE 1.6A 125V.



CAUTION : FOR CONTINUED PROTECTION AGAINST FIREHAZARD
REPLACE ONLY WITH THE SAME TYPE 3A 125V FUSE.
ATTENTION : POUR UNE PROTECTION CONTINUE LES
RISQUES D'INCENDIE.N UTILISER QUE DES FUSIBLE
DE MEME TYPE 3A 125V.



POWER SUPPLY SCHEMATIC DIAGRAM (FOR AW)



EMATIC CIRCUIT BOARD DIAGRAM

5-6	/	-
5-7	/	5-27
5-10	/	5-25
5-12	/	5-25
5-12	/	-
5-13	/	5-25
5-15	/	-
5-15	/	5-29
5-16	/	-
5-16	/	5-26

F851 1.25A 250V * ONE VOLTAGE: PB OR REC MODE
TWO VOLTAGES: PB AND REC MODE

CAUTION: FOR CONTINUED PROTECTION AGAINST FIREHAZARD
REPLACE ONLY WITH THE SAME TYPE 1.25A 250V FUSE.
ATTENTION: POUR UNE PROTECTION CONTINUE LES
RISQUES D'INCENDIE-N' UTILISER QUE DES FUSIBLE
DE MEME TYPE 1.25A 250V.

CAUTION: FOR CONTINUED PROTECTION AGAINST FIREHAZARD
REPLACE ONLY WITH THE SAME TYPE 1.6A 125V FUSE.
ATTENTION: POUR UNE PROTECTION CONTINUE LES
RISQUES D'INCENDIE-N' UTILISER QUE DES FUSIBLE
DE MEME TYPE 1.6A 125V.

CAUTION: FOR CONTINUED PROTECTION AGAINST FIREHAZARD
REPLACE ONLY WITH THE SAME TYPE 3A 125V FUSE.
ATTENTION: POUR UNE PROTECTION CONTINUE LES
RISQUES D'INCENDIE-N' UTILISER QUE DES FUSIBLE
DE MEME TYPE 3A 125V.

POWER SUPPLY P.C.B