

Scans by Paul

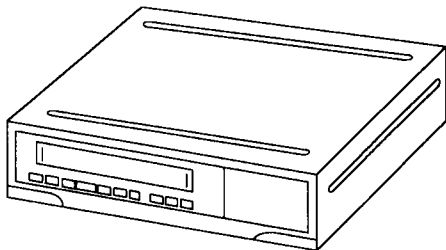
SCH122

MAGNAVOX

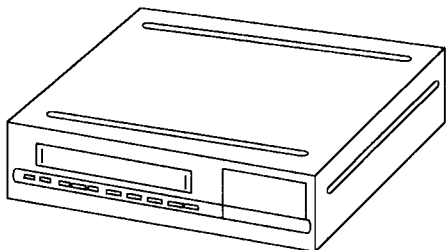
SERVICE MANUAL

*Basic Parts List
and Power Supply*

More on special Request....



**Magnavox
Model : VR9141AT01**



**Magnavox
Model : VR9121AT01**

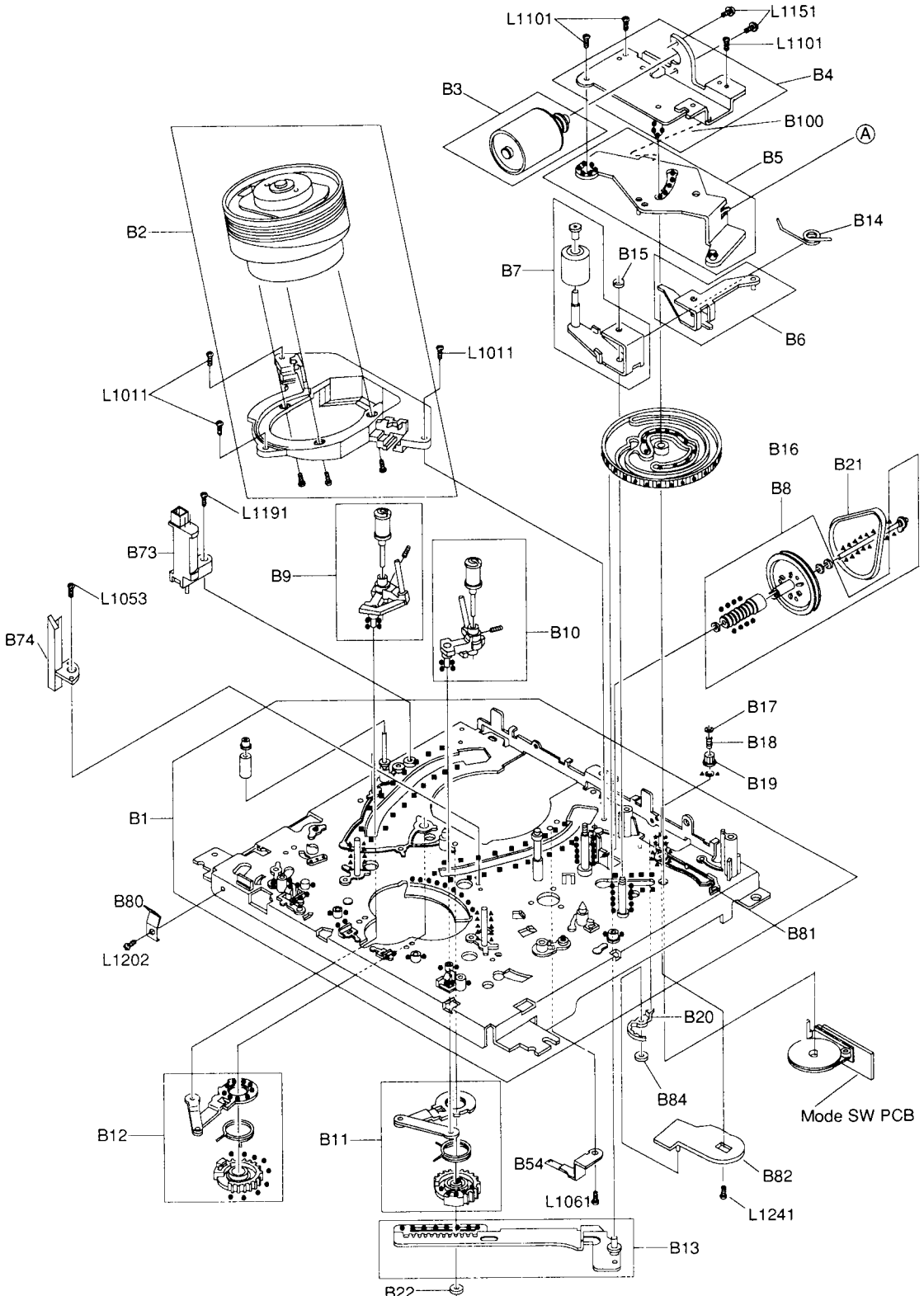
Distributed by:

Technical Connections

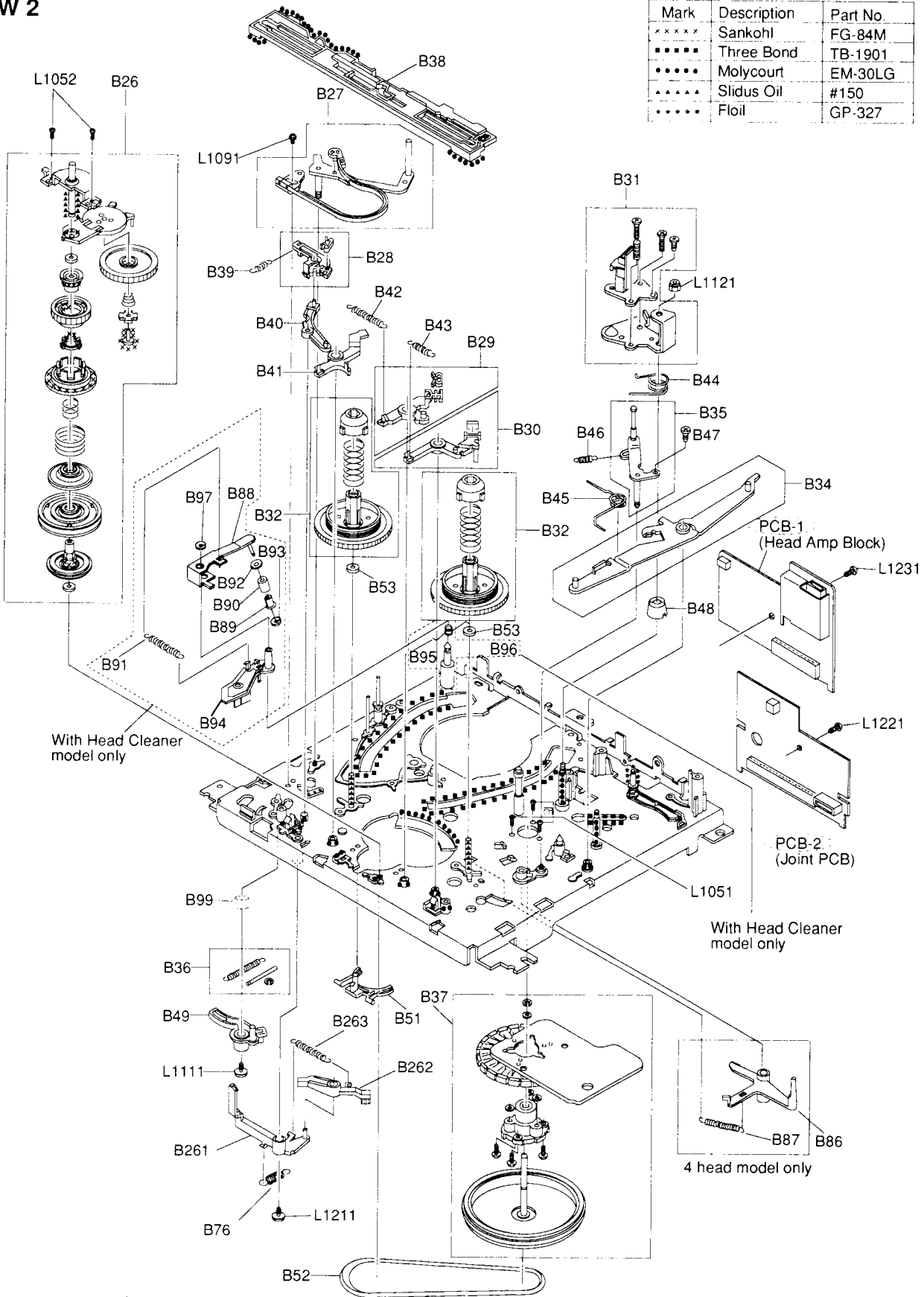
DECK EXPLODED VIEWS

W 1

Mark	Description	Part No.
*****	Sankohl	FG-84M
■■■■■	Three Bond	TB-1901
●●●●●	Molycourt	EM-30LG
▲▲▲▲▲	Slidus Oil	#150
◆◆◆◆◆	Floil	GP-327



Mark	Description	Part No.
xxxxx	Sankohl	FG-84M
■■■■■	Three Bond	TB-1901
●●●●●	Molycourt	EM-30LG
▲▲▲▲▲	Slidus Oil	#150
.....	Foil	GP-327



With Head Cleaner model only

With Head Cleaner model only

4 head model only

See Electrical Parts List.

Ref.	▲	Description	Q'ty	ID No.	Part No.
B1		Chassis Ass'y	1	0VSA04780	-----
B2		Cylinder Ass'y (VR9121, CRN130; 2HD only)	1	OVM301298	4835 691 27182
B2		Cylinder Ass'y (VR9141; 4HD only)	1	OVM301384	4835 691 27191
B3		LDG Motor Preparation	1	0VSA04781	4835 361 27096
B4		Motor Holder Calking Ass'y	1	OVM403364	4835 402 67068
B5		Cassette Drive Lever Ass'y	1	OVM403507	4835 464 57194
B6		Pinch Roller Arm Ass'y	1	OVM402563	4835 464 57193
B7		Pinch Arm Ass'y	1	OVM402387	4835 464 57192
B8		Pulley Ass'y	1	0VSA04757	4835 464 57209
B9		Moving Guide S Ass'y	1	0VSA04237	4835 464 57199
B10		Moving Guide T Ass'y	1	0VSA04240	4835 464 57201
B11		Loading Arm A Ass'y	1	0VSA04214	4835 464 57197
B12		Loading Arm B Ass'y	1	0VSA04215	4835 464 57198
B13		Loading Arm M Ass'y	1	OVM402559	4835 402 97468
B14		Pinch Roller Spring (VR9121, CRN130; 2HD only)	1	OVM403949	-----
B14		Pinch Roller Spring (VR9141; 4HD only)	1	OVM402565A	4835 492 97241
B15		Lumirror Washer 3.1X6X0.35	1	OVM403269	-----
B16		Cam	1	OVM200960	4835 528 37019
B17		P.S.W 1.7X3.2X0.5T	1	OVM403678	-----
B18		Friction Gear Spring	1	OVM404511	4835 492 97209
B19		Friction Gear	1	OVM404459	4835 522 37242
B20		Kick Arm	1	OVM402662E	4835 402 97471
B21		LDG Belt ✓	1	✓ OVM403432	4835 358 37126
B22		P.S.W A	1	OVM402624	-----
B26		Clutch Block Ass'y	1	0VSA05171	4835 464 57203
B27		Band Brake Ass'y	1	0VSA04658	4835 464 57207
B28		Main Brake S Ass'y	1	0VSA04212	4835 464 57195
B29		Main Brake T Ass'y	1	0VSA04213	4835 464 57196
B30		T Brake Arm Ass'y	1	0VSA04641	4835 464 57205
B31		AC Head Ass'y	1	0VSA04756	4835 464 57208
B32		Reel Base Ass'y	1	0VSA04759	4835 464 57204
B34		Main Lever Ass'y	1	OVM402558	4835 402 97467
B35		Tape Guide Ass'y	1	OVM402560	4835 402 97469
B36		Tension Lever SP Ass'y	1	0VSA04550	4835 464 57202
B37		Capstan Motor	1	MMDDB5ZSJ002	4835 361 27104
B38		Mode Change Lever	1	OVM201139	4835 402 97456
B39		M Brake(S)pring	1	OVM402579	4835 492 97205
B40		M Brake(S)lever	1	OVM300753	4835 402 97458
B41		S Brake Arm	1	OVM300754	4835 402 97459
B42		M Brake T Arm Spring	1	OVM402582	4835 492 97208
B43		T Brake Spring	1	OVM402580	4835 492 97206
B44		Head Adjust Spring	1	OVM402567A	4835 492 97202
B45		M Lever Spring	1	OVM402570	4835 492 97203
B46		Tape Guide Arm Spring	1	OVM402581	4835 492 97207
B47		Tape Guide Arm Adjust Screw	1	OVM403242	-----
B48		Adjust Nut	1	OVM403698	-----
B49		BT Drive Arm	1	OVM300756	4835 402 97462
B51		Change Arm	1	OVM402441	4835 402 97466
B52		Belt FWD	1	OVM402397	4835 358 37125
* B53		P.S.W 3.1X6X0.3T	1	OVM403737	-----
* B53		P.S.W 3.1X6X0.4T	1	OVM403738	-----
* B53		P.S.W 3.1X6X0.5	1	OVM402625	-----
B54		Earth Brush Ass'y	1	OVM403225	-----
B55		Cassette Slider L Ass'y	1	0VSA04487	4835 402 97472

Ref.	▲	Description	Q'ty	ID No.	Part No.
B56		C.Slider R Ass'y	1	0VSA04488	4835 402 97473
B57		Cassette Guide R Ass'y	1	0VSA04778	4835 464 57211
B58		C.D. Gear L Ass'y	1	0VSA04494	4835 522 37243
B59		C.D. Gear R Ass'y	1	0VSA04495	4835 522 37244
B60		Cassette Plate	1	0VM300779E	4835 466 97086
B61		Front Guide	1	0VM300776	4835 402 97463
B62		Gear Connect Shaft	1	0VM402506	4835 522 37241
B63		Cassette Guide L	1	0VM200689D	4835 402 97457
B64		Interlocking Gear R	1	0VM300786	4835 522 37238
B65		Front Door Opener	1	0VM300781	4835 402 97464
B66		Interlocking Gear L	1	0VM300787	4835 522 37239
B67		Front Door Opener Spring	1	0VM403962	4835 492 97201
B68		Driving Gear Reinforcement	1	0VM402961	4835 402 67067
B72		Upper Plate	1	0VM201033	4835 466 97087
B73		FE Head	1	DHVEC01AL001	4835 249 9704
B74		Luminescence Prism	1	0VM301291	4835 464 57191
B76		Rec Arm Spring	1	0VM402578	4835 492 97204
B77		Prism R	1	0VM301292	4835 402 97465
B78		Prism L	1	0VM301293D	4835 402 67065
B79		Earth Spring	1	0VM403524	4835 492 97211
B80		Spring for Pressing Pack	1	0VM403674	-----
B81		M Lever Holder Ass'y	1	0VSA04897	4835 464 57212
B82		Kick Arm Holder	1	0VM301397C	4835 402 67066
B83		Rack Spring	1	0VM403894	-----
B84		Press Fit Bush	1	0VM403652	-----
B86		F Brake Ass'y (VR9141; 4HD only)	1	0VSA04884	4835 466 47033
B87		F Brake Spring (VR9141; 4HD only)	1	0VM403612	4835 492 97242
B88-96		NOT USED	0		
B98		TG Cap	1	0VM403733	-----
B100		Holder Spring	1	0VM403852	4835 492 97243
B102		FL Rack	1	0VM201022	4835 402 97474
B103		Rec Arm A	1	0VM301441D	4835 402 97522
B104		Rec Arm B	1	0VM301442B	4835 402 97523
B105		Rec Spring	1	0VM403724	4835 492 97246
L1011		Screw S-Tight M3X9	3	GPMC3090	-----
L1051		Screw S-Tight M2.6X6	1	GPMS9060	-----
L1052		Screw S-Tight M2.6X6	2	GPMS9060	-----
L1053		Screw S-Tight M2.6X6	3	GPMS9060	-----
L1061		Screw S-Tight M2.6X4	1	GPMS9040	-----
L1081		Screw S-Tight Bind Head 3X6	2	GBMS3060	-----
L1091		Screw S-Tight M3X6	1	GCMS3060	-----
L1101		Screw P-Tight 3X8	3	GBMP3080	-----
L1102		Screw P-Tight 3X8	1	GBMP3080	-----
L1111		Screw P-Tight M3X6	1	GCMP3060	-----
L1112		Screw P-Tight M3X6	1	GCMP3060	-----
L1121		Hexagon Nut M3	1	NHMN030	-----
L1151		Screw Sems M3X4	2	CPM33040	-----
L1191		Screw P-Tight 2.6X10	1	GPMP9100	-----
L1202		Screw B-Tight 3X6	1	GPMB3060	-----
L1221		Screw Special	1	0VM403688	-----
L1231		Spacer Screw Ass'y	1	0VM403752	-----
L1241		Screw P-Tight M2X6	1	GBMP2060	-----
L1251		CS Ring d=5 (VR9141; 4HD only)	1	WTM5063	-----
PCB-1		Head Amp Block: Not included in Mechanism Ass'y.		(See Electrical List)	
PCB-2		Joint C.B.A.		(See Deck Electrical List)	

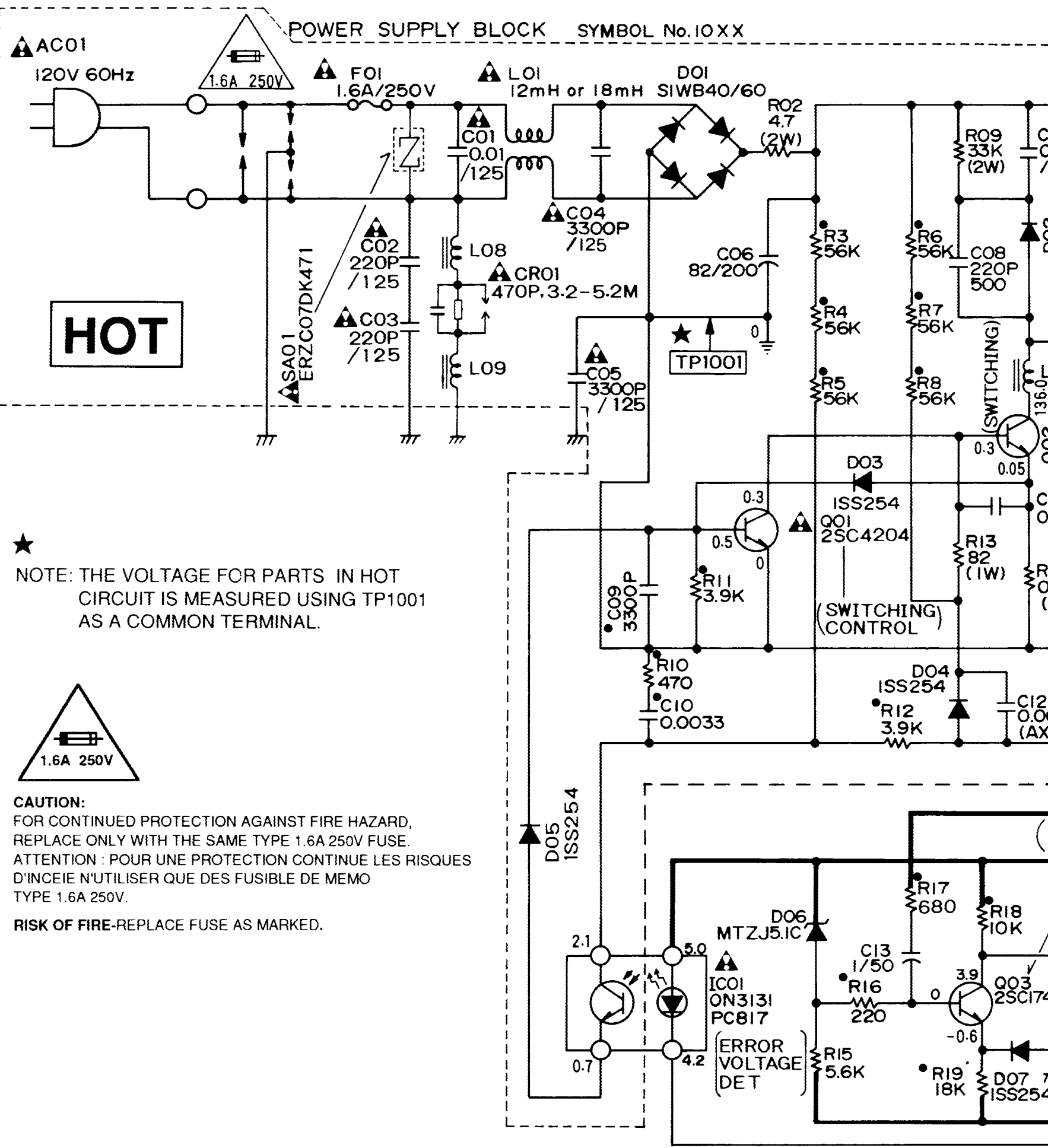
TEST POINT INFORMATION

- ⊙ : INDICATION OF TEST POINT WITH A JUMPER WIRE ACROSS A HOLE IN P.C.B.
- : USED FOR THE INDICATION OF TEST POINT WITH COMPONENT LEAD ON FOIL SIDE.
- ⊗ : USED FOR THE INDICATION OF TEST POINT WITH NO TEST PIN.
- : USED FOR THE INDICATION OF TEST POINT WITH TEST PIN.

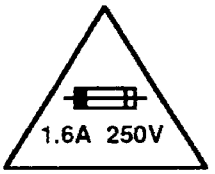
- NOTE:
1. DO NOT USE THE IN THE PARTS LIST
 2. TO MAINTAIN OR WHICH ARE LISTE

NOT CIRCUIT. BE CAREFUL AND USE A ISOLATION TRANSFORMER WHEN SERVICING.

NOTE: MARK "●" IS LEADLESS(CHIP) COMPONENT.



★ NOTE: THE VOLTAGE FOR PARTS IN HOT CIRCUIT IS MEASURED USING TP1001 AS A COMMON TERMINAL.



CAUTION:
 FOR CONTINUED PROTECTION AGAINST FIRE HAZARD, REPLACE ONLY WITH THE SAME TYPE 1.6A 250V FUSE.
 ATTENTION : POUR UNE PROTECTION CONTINUE LES RISQUES D'INCEIE N'UTILISER QUE DES FUSIBLE DE MEMO TYPE 1.6A 250V.

RISK OF FIRE-REPLACE FUSE AS MARKED.

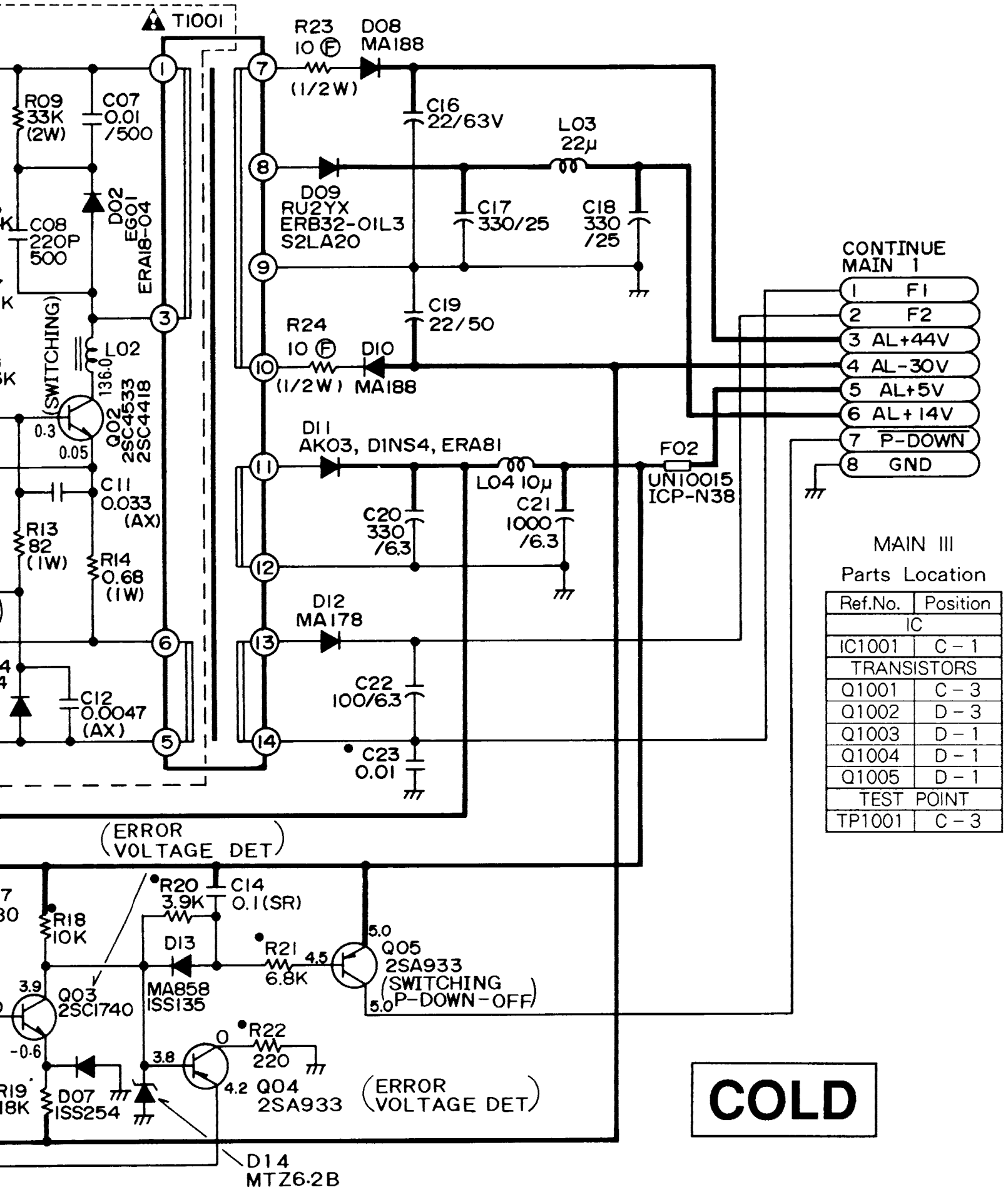
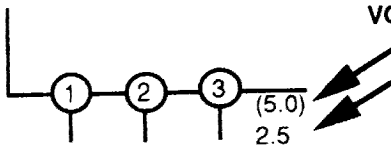
DO NOT USE THE PART NUMBER SHOWN ON THIS DRAWING FOR ORDERING. THE CORRECT PART NUMBER IS SHOWN IN THE PARTS LIST, AND MAY BE SLIGHTLY DIFFERENT OR AMENDED SINCE THIS DRAWING WAS PREPARED. TO MAINTAIN ORIGINAL FUNCTION AND RELIABILITY OF REPAIRED UNITS, ONLY USE ORIGINAL REPLACEMENT PARTS WHICH ARE LISTED WITH THEIR PART NUMBERS IN THE PARTS LIST SECTION OF THE SERVICE MANUAL.

WIRING.

VOLTAGE NOTE: NOTE OF WIRE CONNECTORS:

PLAY MODE
REC MODE
(UNIT:VOLT)

- 1.PREFIX SYMBOL "CN" MEANS CONNECTOR.
(CAN DISCONNECT AND RECONNECT.)
- 2.PREFIX SYMBOL "CL" MEANS WIRE-SOLDER HOLES OF P.C.B.
(WIRE IS SOLDERED DIRECTLY.)



CONTINUE
MAIN I

- 1 F1
- 2 F2
- 3 AL+44V
- 4 AL-30V
- 5 AL+5V
- 6 AL+14V
- 7 P-DOWN
- 8 GND

MAIN III

Parts Location

Ref.No.	Position
IC	
IC1001	C - 1
TRANSISTORS	
Q1001	C - 3
Q1002	D - 3
Q1003	D - 1
Q1004	D - 1
Q1005	D - 1
TEST POINT	
TP1001	C - 3