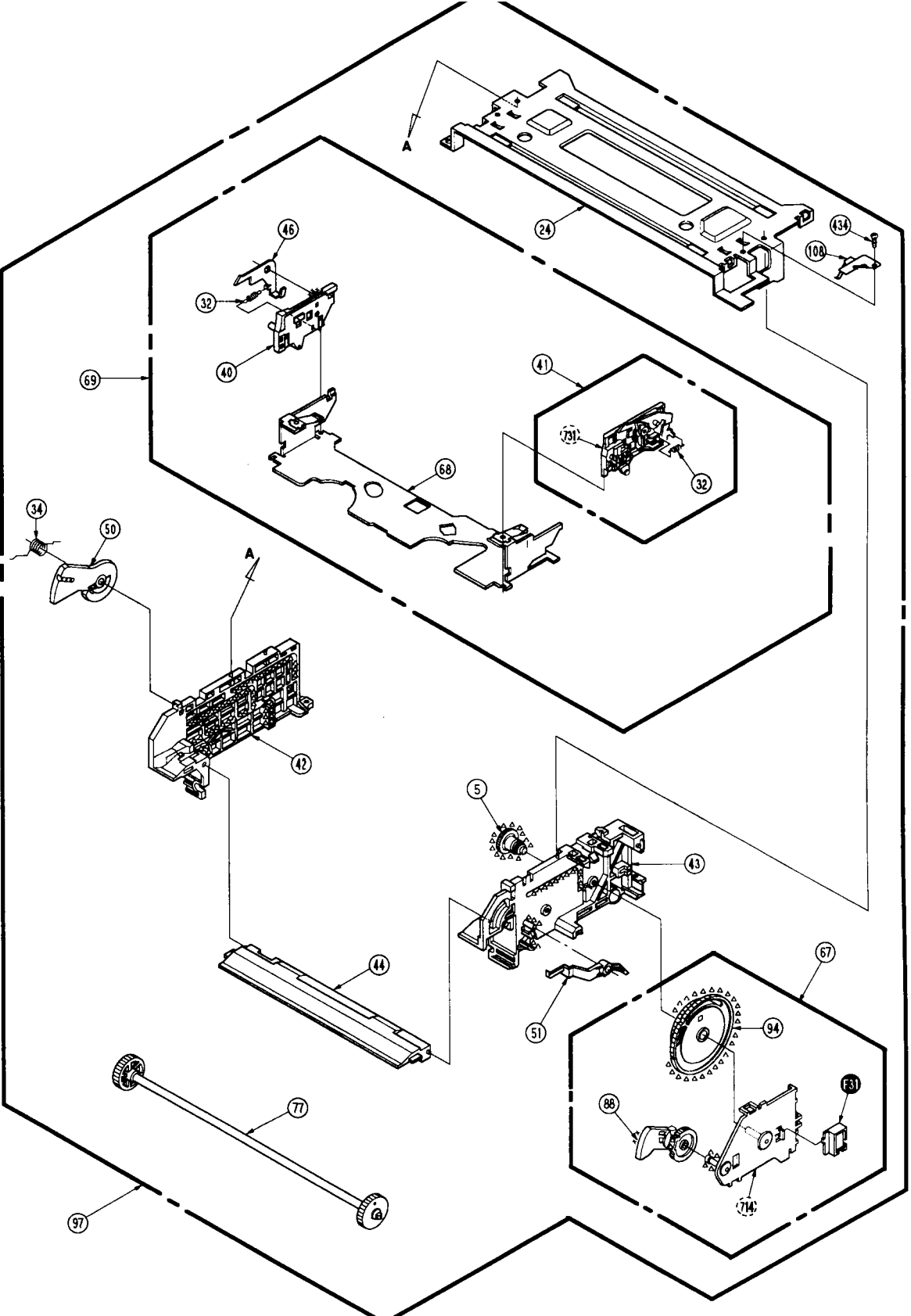
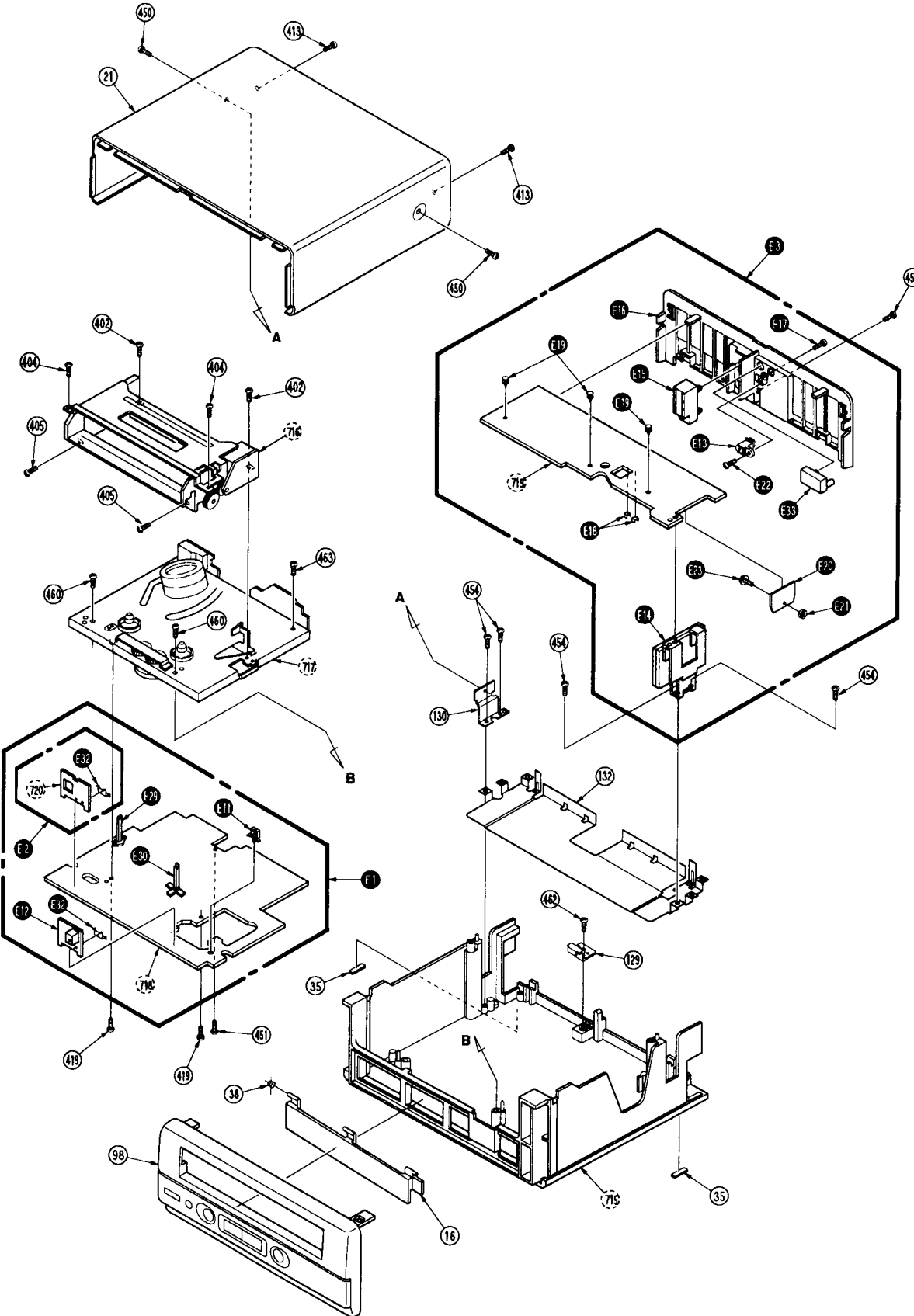


Magnavox USA

Model: VR9000AT01





MECHANICAL REPLACEMENT PARTS LIST

Model No. VR9000AT01(MAGNAVOX USA)

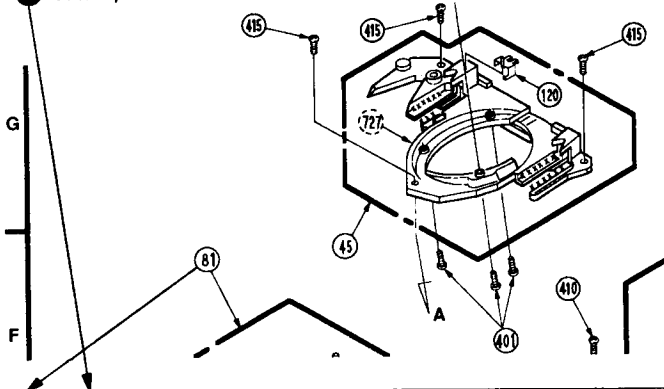
ONLY USE ORIGINAL VIDEO REPLACEMENT PARTS: Maintain original FUNCTION and RELIABILITY of repaired units, only use ORIGINAL REPLACEMENT PARTS which are listed with their part numbers in the parts list section of the Service Manual.

Note:
1. Be sure to make your orders of replacement parts according to this list.

<The complete Exploded Views are shown in this manual.>

EXPLODED VIEWS

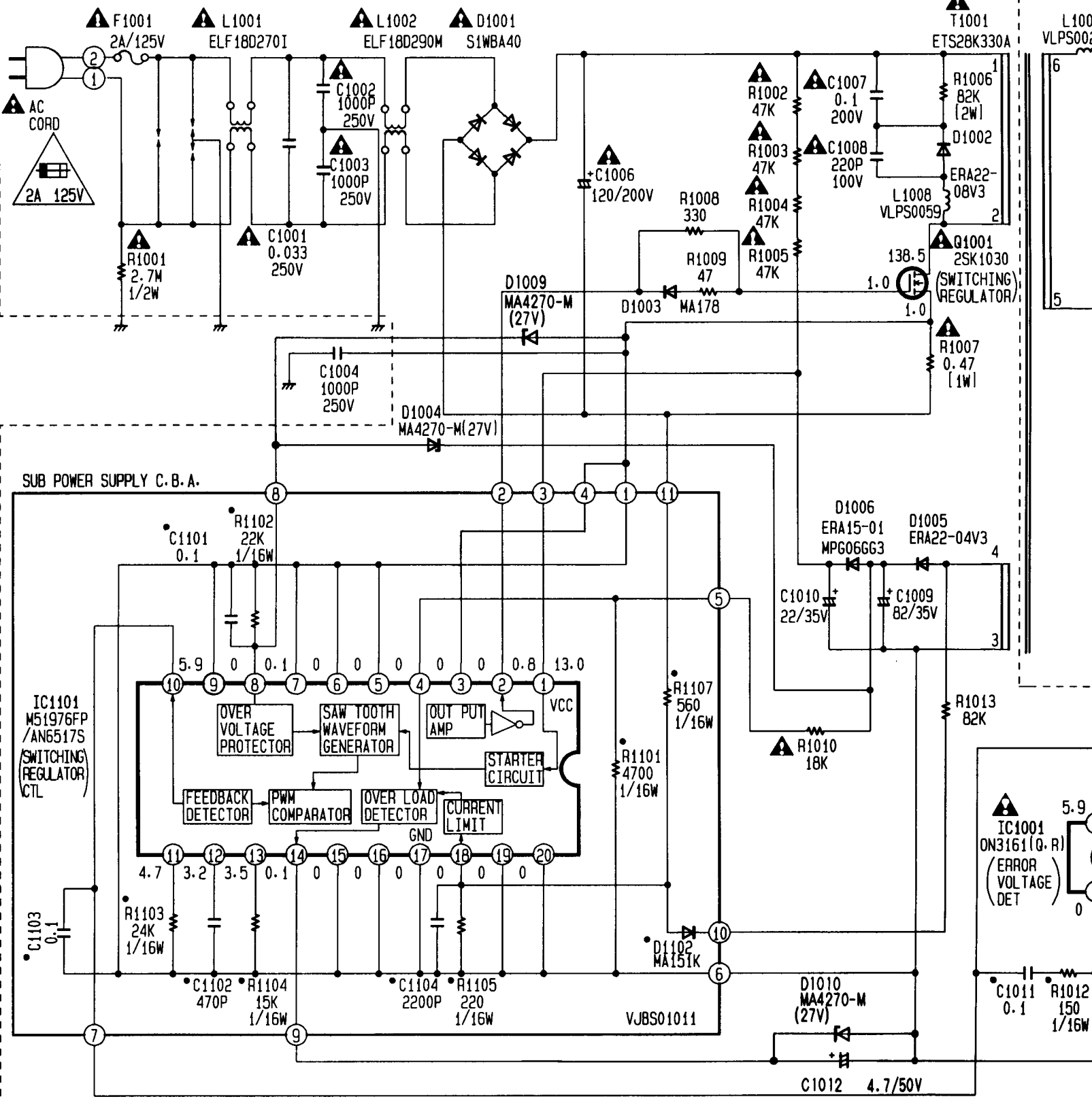
1 Transport Section

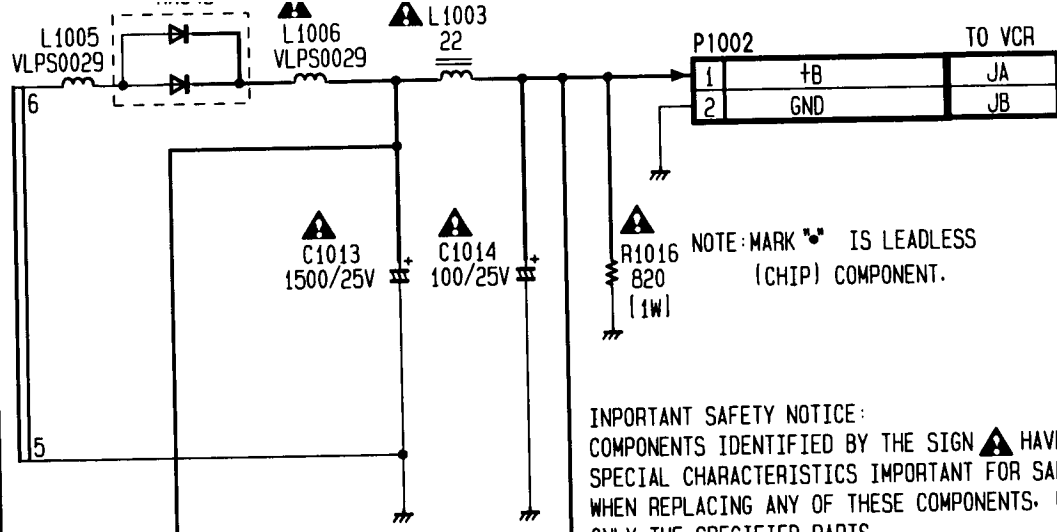


Item No.	Drawing No.	Description	Pcs/Set	ID No.	PCEC Part No.
MECHANISM PARTS ON CHASSIS					
2	2	FG HEAD	1	VBKS0024	483524997037
3	2	CAM GEAR	1	VDGS0288	483552237213
4	2	LINK GEAR	1	VDGS0289	483552237214
5	3	WORM WHEEL	1	VDGS0293	483552237215
6	1	PINCH CAM	1	VDGS0294	483552837012
7	1	P5 SECTOR GEAR	1	VDGS0296	483552237216
8	1	P1 ROLLER	1	VDPS0210	483552877053
9	2	LOADING MOTOR BELT	1	VDVS0069	483535837112
10	2	CAPSTAN BELT	1	VDVS0070	483535837113
11	1	CYLINDER UNIT	1	VEGSO296A	483569127136
12	1	A/C HEAD UNIT	1	VEHS0468A	483524997038
				OR VEHS0469A	483524997038
13	1	UPPER CYLINDER UNIT	1	VEHS0471A	483569127138
14	2	CAPSTAN STATOR UNIT	1	VEMS0237	483536217013
15	2	LOADING MOTOR UNIT	1	VEMS0263	483536127085
16	4	CASSETTE DOOR	1	VGPS2583	483544367211
21	4	TOP COVER	1	VKMS1823	483544327034
23	2	P. C. B. BRACKET	1	VMA51844	-----
24	3	TOP PLATE	1	VMA51849	483546687032
25	1	OPENER ANGLE	1	VMA51854	-----
28	2	ROD RETURN SPRING	1	VMBS0895	483549267051
29	2	RELEASE PIECE SPRING	1	VMBS0896	483549267052
30	1	TENSION SPRING	1	VMBS0898	483549267053
31	2	LOADING SPRING	2	VMBS0899	483549267054
32	3	SET LEVER SPRING	2	VMBS0901	483549267055
34	3	WIPER SPRING -L	1	VMBS0906	483549257046
35	4	RUBBER FOOT	2	VKAS0047	483546247072
36	1	MAIN BRAKE SPRING	1	VMBS0910	483549267056
37	1	ADJUST SPRING	3	VMBS0915	483549257047
38	4	CASSETTE SPRING	1	VMBS0974	483549267065
40	3	HOLDER GUIDE -L	1	VMDSO719	-----
41	3	CASSETTE HOLDER GUIDE R UNIT	1	VXAS1545	483546457152
42	3	SIDE PLATE -L	1	VMDSO722	483546697071
43	3	SIDE PLATE -R	1	VMDSO723	483546697072
44	3	CASSETTE GUIDE	1	VMDSO724	483540297408
45	1	CYLINDER BASE UNIT	1	VXDOS148	483546457153
46	3	SET LEVER -L	1	VMLS0785	-----
50	3	WIPER ARM -L	1	VMLS0790	483540297409
51	3	CASSETTE LEVER	1	VMLS0836	483540297412
52	2	SUB PLATE	1	VMA51470	483546697014
53	2	CASSETTE DOWN DETECT PIECE	1	VMA50077	483528097014
54	2	MAIN ROD	1	VMA50078	483546457129
55	1	PINCH CAM CAP	1	VXKS0782	483544367181
56	5	POLYETHYLENE BAG	1	VVPS0091	-----
57	5	PACKING CASE	1	VVPS3032	-----

Item No.	Drawing No.	Description	Pcs/Set	ID No.	PCEC Part No.
60	1	PRESSURE ROLLER SPRING	1	VMBS0702	483549267017
61	1	PRESSURE ROLLER ARM SPRING	1	VMBS0590	483549267016
64	5	FAN BAG	1	VDFS2412	001863150001
66	5	IR WIRELESS TRANSMITTER UNIT	1	VSS01116	483521837071
67	3	SUB PLATE ASS'Y	1	VXAS1568	483546457165
68	3	CASSETTE HOLDER UNIT	1	VXAS1532	-----
69	3	CASSETTE HOLDER ASS'Y	1	VXAS1534	483546457132
70	2	EARTH PLATE UNIT	1	VXBS0042	-----
71	1	CAPSTAN HOLDER UNIT	1	VXDOS128	483525697172
73	1	LOADING POST S ASS'Y	1	VXDOS129	483546457133
74	1	LOADING POST T ASS'Y	1	VXDOS130	483546457134
75	1	LOADING POST BASE T UNIT	1	VXDOS133	-----
76	1	LOADING POST BASE S UNIT	1	VXDOS134	-----
77	3	MAIN SHAFT UNIT	1	VXJS0052	483553597026
78	1	CENTER BLOCK UNIT	1	VXKS0674	483546457135
79	3	MOTOR BLOCK ASS'Y	1	VXKS0704	483536127086
80	1	PRESSURE ROLLER ARM UNIT	1	YXLS0836	483546457137
81	1	TENSION ARM UNIT	1	YXLS0838	483546457138
82	1	BRAKE S UNIT	1	YXLS0843	483546647018
83	1	BRAKE T UNIT	1	YXLS0846	483546647019
84	1	CAM FOLLOWER ARM UNIT	1	YXLS0848	483552837013
85	2	LOADING ARM T UNIT	1	YXLS0850	483546457139
86	2	LOADING ARM S UNIT	1	YXLS0852	483546457141
88	1	P5 ARM UNIT	1	YXLS0853	483540297413
88	3	WIPER ARM R UNIT	1	YXLS0856	-----
89	2	SECONDARY ROD UNIT	1	YXLS0857	483546457142
90	2	CAPSTAN ROTOR UNIT	1	VXPS0301	483536227009
				OR VXPS0312	483536227011
91	1	ROLLER POST UNIT	2	VXPS0302	-----
				OR VXPS0324	-----
92	2	CLUTCH UNIT	1	VXPS0303	483552827009
93	2	WORM UNIT	1	VXPS0309	483552237217
94	3	GENEVA GEAR UNIT	1	VXPS0310	-----
95	1	SUPPLY REEL TABLE UNIT	1	VXRS0061	483552817026
96	1	TAKEUP REEL TABLE UNIT	1	VXRS0062	483552817027
97	3	CASSETTE UP ASS'Y	1	VXYS0588	483569127162
98	4	FRONT PANEL UNIT	1	VYPS479	483544347228
99	2	WORM SHAFT SUPPORT	1	VDBS0247	-----
107	1	GROUNDING SPRING	1	VMBS0959	-----
108	3	GROUNDING PLATE	1	VMCS0061	-----
111	1	DUST SEAL	2	VMKS0511	-----
120	1	TAPE STOPPER	1	VMBS0965	483546257005
124	5	VHF CONNECTING CABLE	1	VJAS0060	483532127022
127	5	CUSHION -TOP	1	VPHS0488	-----
128	5	CUSHION -BOTTOM	1	VPNS0489	-----
129	4	SUPPORT ANGLE	1	VMA51918	-----
130	4	SIDE ANGLE -L	1	VSCS1789	-----
132	4	BOTTOM SHEILD PLATE	1	VSCS1791	-----
133	2	ROD PUSH PLATE	1	VMA51924	-----
134	1	CUSHION	1	VMTS0035	-----
135	1	CLAMPER	1	VZFS0006S	-----
137	5	POLYETHYLENE BAG	1	VPFS0108	-----
SCREW & WASHERS					
401	1	SCREW WITH WASHER	3	VHDS0016	-----
				OR VHDS0356	-----
402	4	TAPPING SCREW 3X8	2	XTV3+8FR	-----
403	1	ADJUST SCREW	3	VHDS0398	-----
404	4	SCREW 3X10	2	VHDS0286	-----
405	4	SCREW	2	VHDS0399	-----
408	2	SCREW M2. 6X10	2	VHDS0402	-----
409	1	LOCK SCREW	2	VHDS0236	-----
410	1	SCREW M2. 6X6	1	VHDS0403	-----
411	1	CUT WASHER	1	VXKS0664 *	483553087003
412	1	SCREW 2X8	1	XYM2+S8	-----
413	4	SCREW 4X13	2	VHDS0293	-----
414	1	SCREW 2. 6X5	3	XSN26+5	-----
415	1	SCREW 3X6	3	XSN3+6	-----
416	2	TAPPING SCREW 2. 6X10	2	XTN26+10G	-----
418	1,2	TAPPING SCREW 2X5	2	XTV2+5F	-----
419	4	TAPPING SCREW 2. 6X8	2	XTV26+8GR	-----
420	1	THRUST SCREW UNIT	1	VXDOS0031	483550397005

* THIS CUT WASHER IS NOT REUSABLE. IF REMOVED, REINSTALL A NEW ONE.

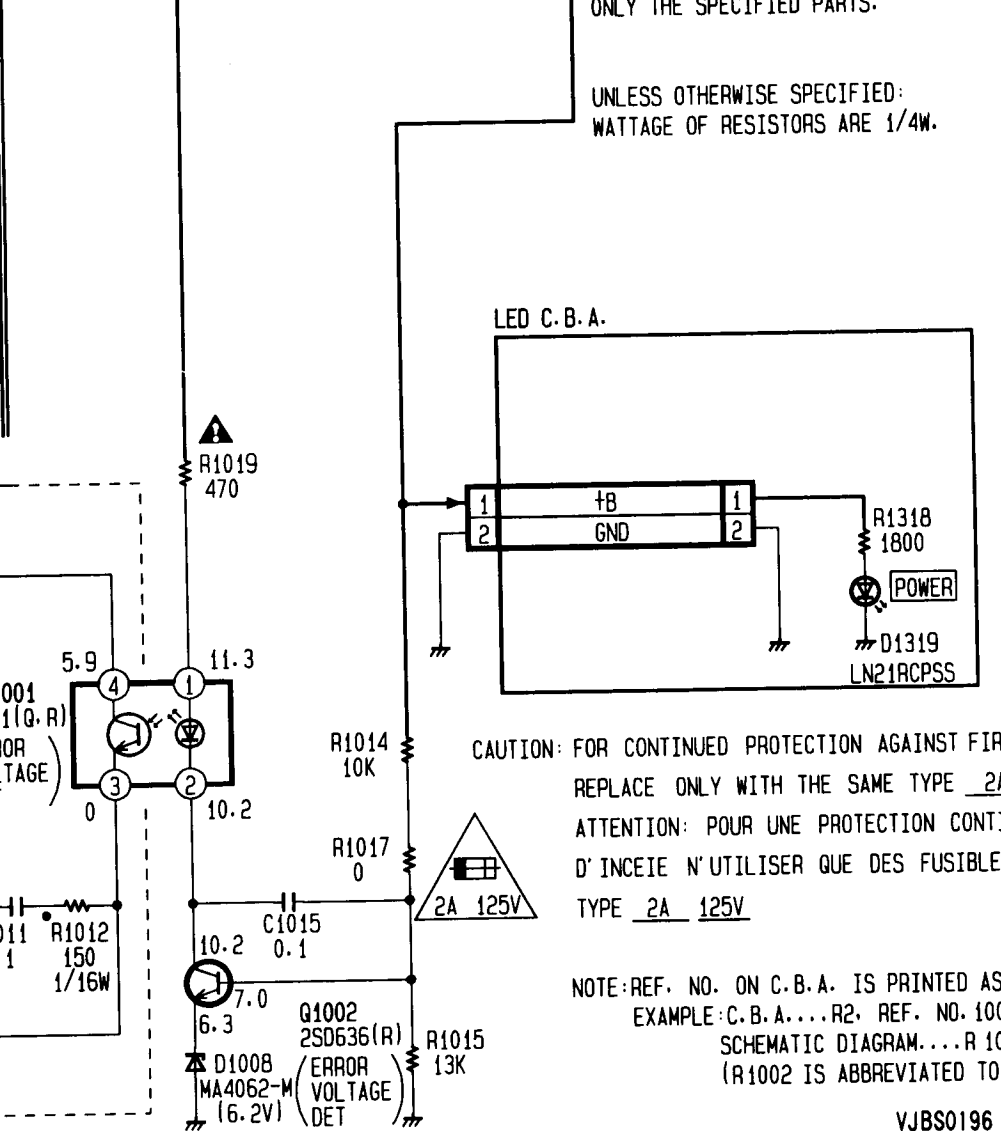




NOTE: MARK IS LEADLESS (CHIP) COMPONENT.

IMPORTANT SAFETY NOTICE:
COMPONENTS IDENTIFIED BY THE SIGN HAVE SPECIAL CHARACTERISTICS IMPORTANT FOR SAFETY. WHEN REPLACING ANY OF THESE COMPONENTS, USE ONLY THE SPECIFIED PARTS.

UNLESS OTHERWISE SPECIFIED:
WATTAGE OF RESISTORS ARE 1/4W.



CAUTION: FOR CONTINUED PROTECTION AGAINST FIRE HAZARD, REPLACE ONLY WITH THE SAME TYPE 2A 125V FUSE.
ATTENTION: POUR UNE PROTECTION CONTINUE LES RISQUES D'INCENDIE N'UTILISER QUE DES FUSIBLE DE MÊME TYPE 2A 125V

NOTE: REF. NO. ON C.B.A. IS PRINTED AS FOLLOWS.
EXAMPLE: C.B.A....R2, REF. NO. 1000 SERIES.
SCHEMATIC DIAGRAM....R 1002
(R1002 IS ABBREVIATED TO R2.)