

SANYO

Video Cassette Recorder



FISHER®

PARTS LIST

Made by !! **DAEWOO** In Mexico

Also Good for

RCA

Some models for sure.

Emerson VR4250

VHR-5218

(U.S.A. & Canada)

FVH-2512

(U.S.A.)

FVH-2514

(U.S.A. & Canada)

VHR-5220

(Canada)

GE

VG2053 / VG4053

Magnasonic

MVC625 / MVC646

Emerson

VR4250

Please see other materials with Reference No. given in table below.

Materials	Model No.	Reference No.
Mechanism Manual	FM Mechanism	MM531460
Service Manual	VHR-5218 FVH-2512 FVH-2514 VHR-5220	SM531458



(FVH-2512, FVH-2514)

VHS

DAEWOO

MODEL: DV-F46/26N
DV-F48/28N
DV-F54/34N
DV-F44/24N/X

- Note : 1. Parts order must contain model number, part number and description.
2. Substitute parts maybe supplied as the service parts.
3. N.S.P. : Not available as service parts.

REFERENCE No. PL531459

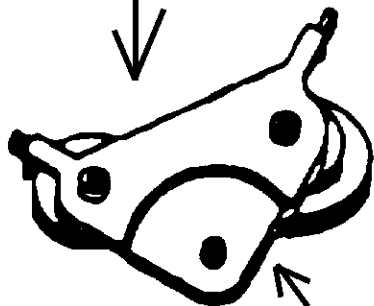
1995 Daewoo Problems

Daewoo 97SA301400

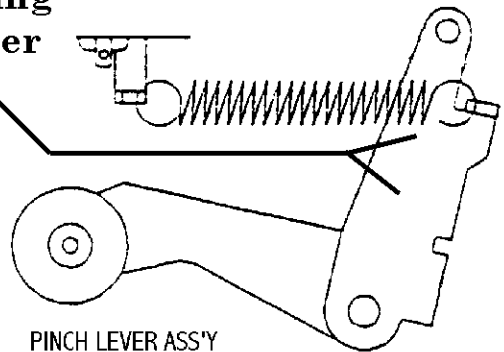
RCA 230519

Sanyo 6450132599

*Will slow down
towards end of tape!*

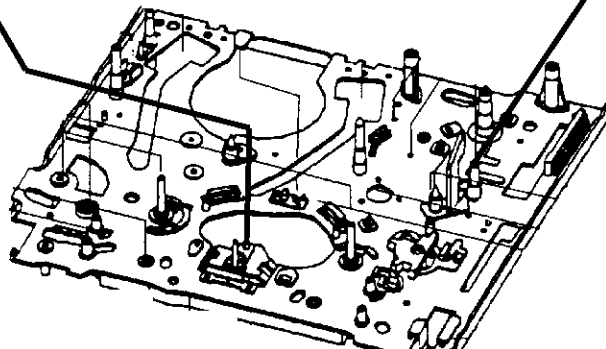


Arm bends causing
weak pinch roller
pressure



EATS TAPE

PINCH LEVER ASS'Y



→ REC AUDIO SIGNAL

⇒ PB AUDIO SIGNAL

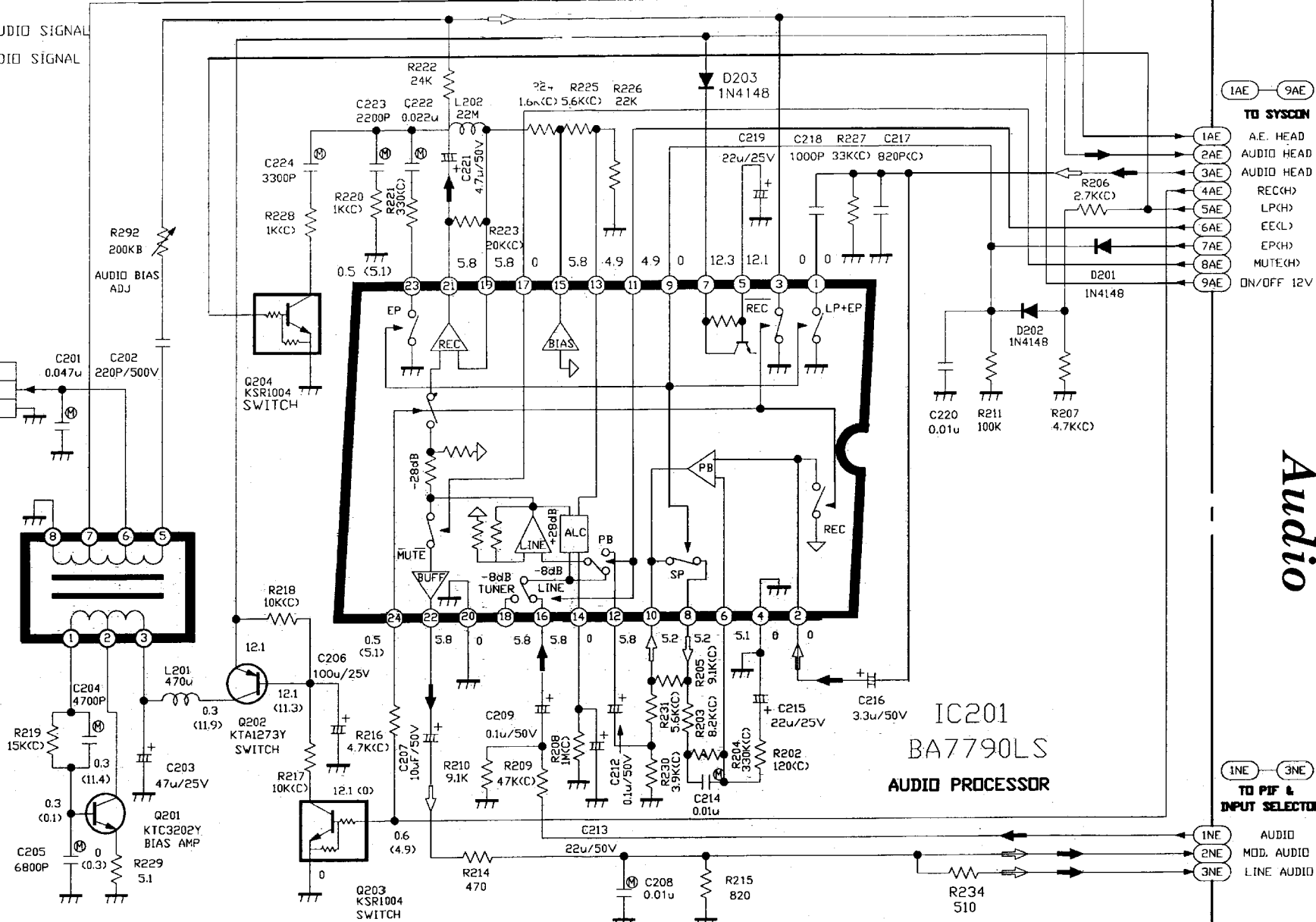
TO FE HEAD

P202

1 FE HEAD

2 GND

T201
DEC-004



1AE 9AE

TO SYSCON
1AE A.E. HEAD
2AE AUDIO HEAD
3AE AUDIO HEAD
4AE REC(H)
5AE LP(H)
6AE EE(L)
7AE EP(H)
8AE MUTE(H)
9AE ON/OFF 12V

Audio

1NE 3NE

TO PIF & INPUT SELECTOR
1NE AUDIO
2NE MOD. AUDIO
3NE LINE AUDIO

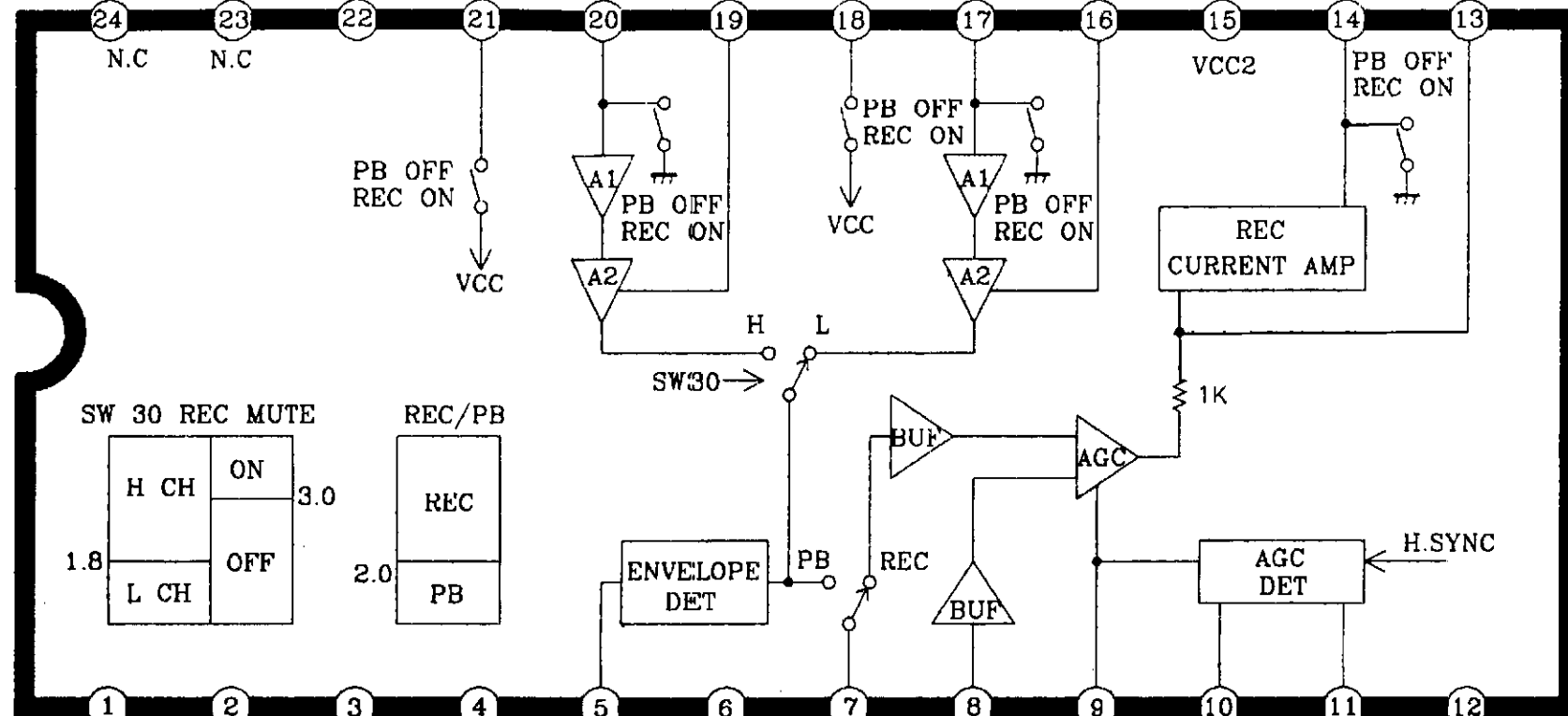
IC201
BA7790LS
AUDIO PROCESSOR

VOLTAGE : REC (PLAY) MODE

PA01	1
R	2
COMM	3
L	4
GND	

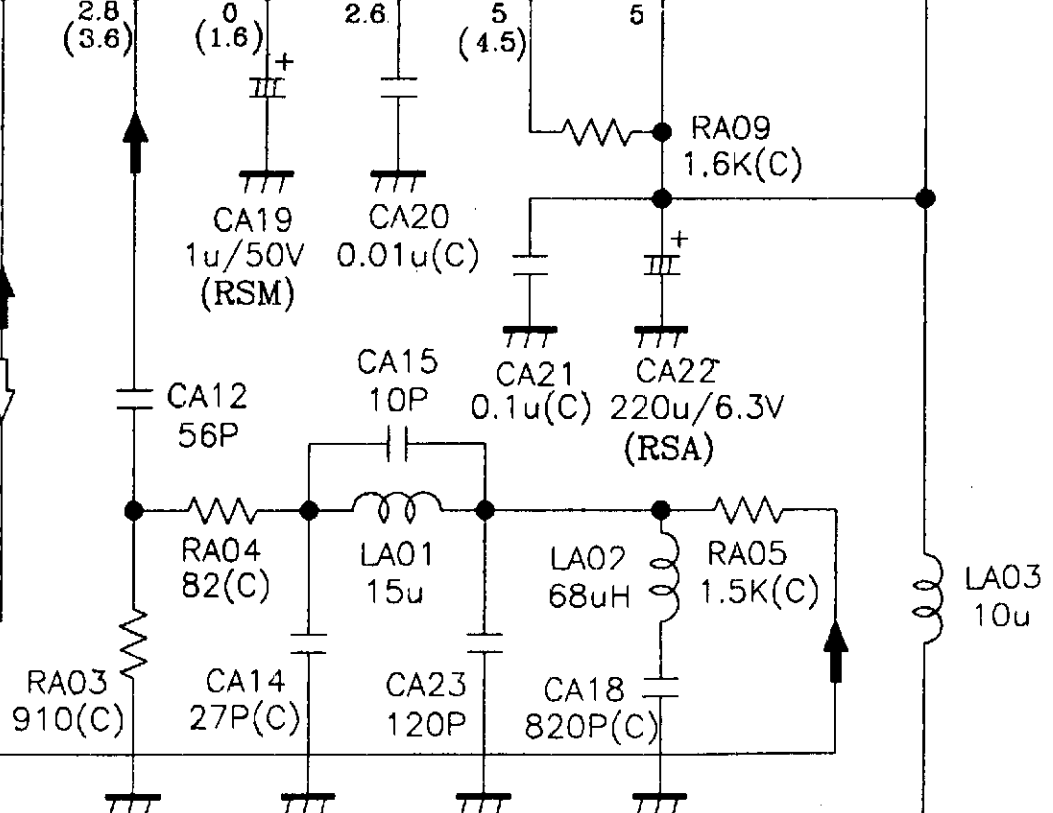
TO CYLINDER ASS'Y

LA7411
PRE-AMP
PREAMP
ICAO1



TO VIDEO P301

PA02	1
NC	2
NC	3
NC	4
SW. PULSE	4
C.SYNC	5
REC(H)	6
DC ENVE	7
PB-Y FM/REC-C	8
NC	9
GND	10
REC-Y	11
NC	12
ON/OFF 5V	13



← REC VIDEO SIGNAL.
← PB VIDEO SIGNAL

JA01
3216(C)

VOLTAGE : REC (PLAY) MODE

MAIN PCB

PREAM.

AC INPUT



P301	
H.A SW(4HD)	1
TRICK(H)(4HD)	2
COMP OUT(4HD)	3
SW PULSE	4
C.SYNC	5
REC(H)	6
DC ENVE	7
PB-Y FM	8
NC	9
GND	10
REC-Y	11
NC	12
ON/OFF 5V	13

PA02	
H.A SW(1
TRICK(H)	2
COMP OUT	3
SW PUL	4
C.SYN	5
REC(H)	6
DC EN	7
PB-Y	8
NC	9
GND	10
REC-	11
NC	12
ON/OFF	13

DECK IN

P501	
I-LIMIT	1
C CONTROL	2
C IC GND	3
C MOTOR GND	4
F(-)/R(+)	5
CAPSTAN FG	6
EVER 5V	7
C MOTOR Vcc	8

P004	
I-LIMIT	1
C CONTR	2
C IC GND	3
C MOTOR	4
F(-)/R(5
CAPSTAN	6
EVER 5V	7
C MOTOR	8

LOGIC PCB

PT01	
GND	1
CTL	2
SW	3
PATH ENVE	4
PATH ADJUST	5
EVER 5V	6

P601	
DRUM FG	1
D MOTOR GND	2
DRUM PG	3
D SPEED CONTROL	4
D MOTOR Vcc	5
CAM A	6
CAM B	7
CAM C	8
CAM D	9
LM (+)	10
LM (-)	11
A. F. HEAD	12
AUDIO GND	13
AUDIO HEAD	14
AUDIO HEAD	15
CTL HEAD (-)	16
CTL HEAD (+)	17
C CTL-REF	18

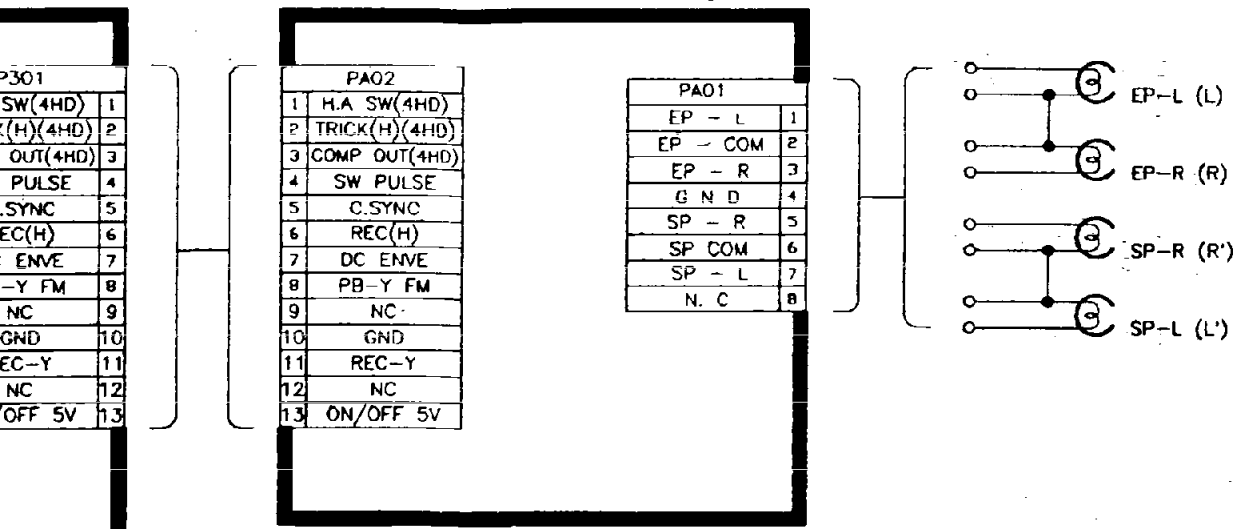
H002	
DRUM F	1
D MOTOR I	2
DRUM P	3
D SPEED CON	4
D MOTOR	5
CAM A	6
CAM B	7
CAM C	8
CAM D	9
LM (+)	10
LM (-)	11
A. F. HEA	12
AUDIO GN	13
AUDIO HE	14
AUDIO HE	15
CTL HEAD	16
CTL HEAD	17
C CTL-RE	18

P701	
VFD STB	1
VFD CLK	2
VFD DATA OUT	3
VFD DATA IN	4
EVER -24V	5
REMOCON IN	6
EVER 5.8V	7
GND	8
F (+)	9
F (-)	10
GND	11
POWER FAIL(L)	12

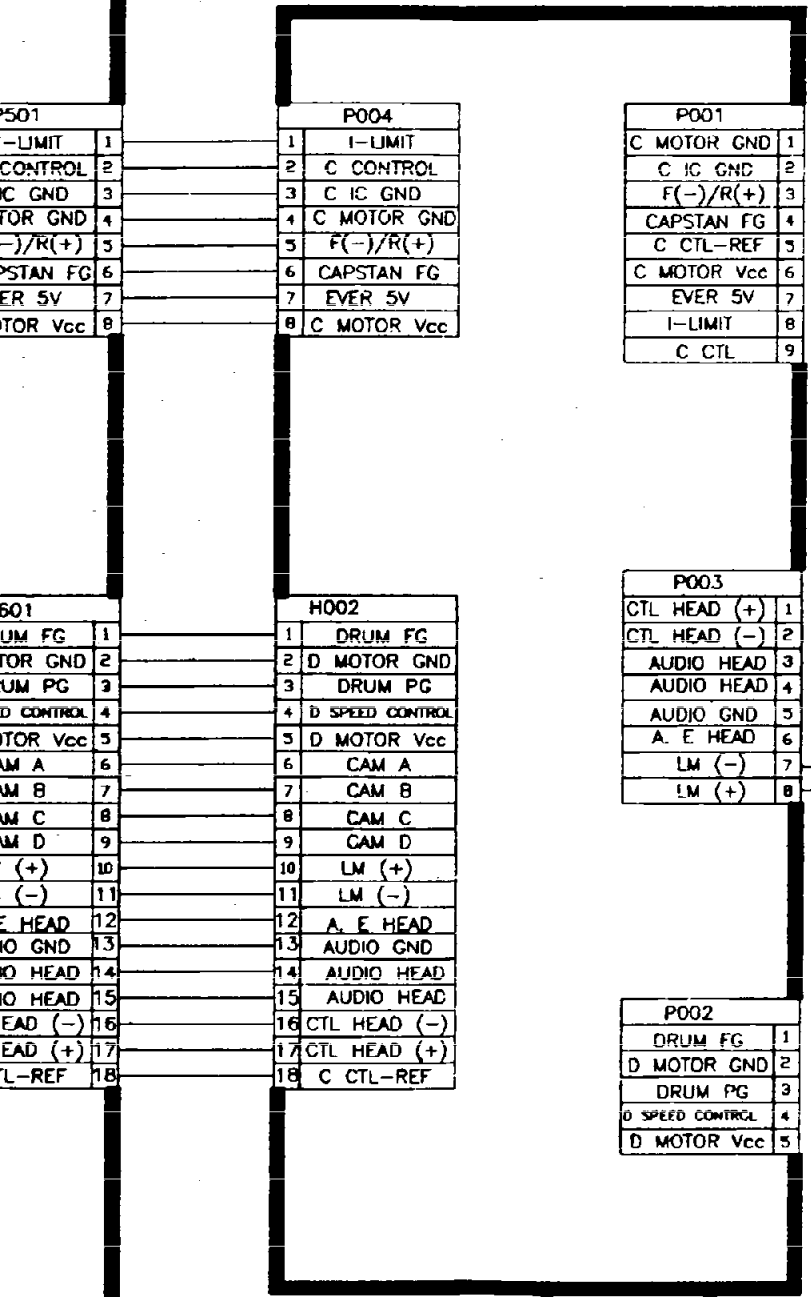
P602	
VFD STB	1
VFD CLK	2
VFD DATA OUT	3
VFD DATA IN	4
EVER -24V	5
REMOCON IN	6
EVER 5.8V	7
GND	8
F (+)	9
F (-)	10
GND	11
POWER FAIL(L)	12

F.E HEAD	1
GND	2

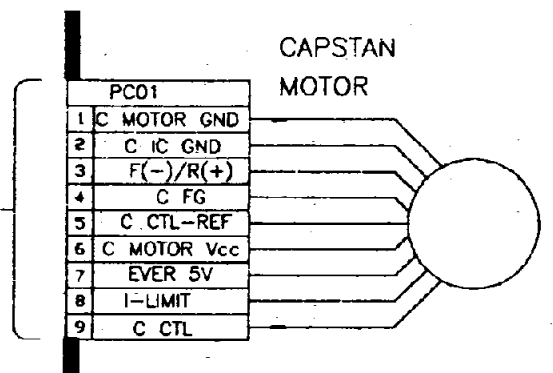
PREAMP PCB



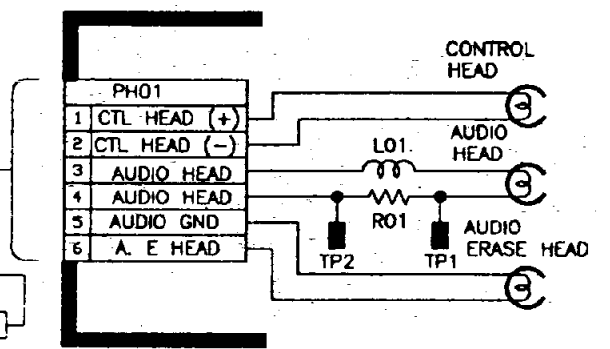
DECK INTERFACE PCB



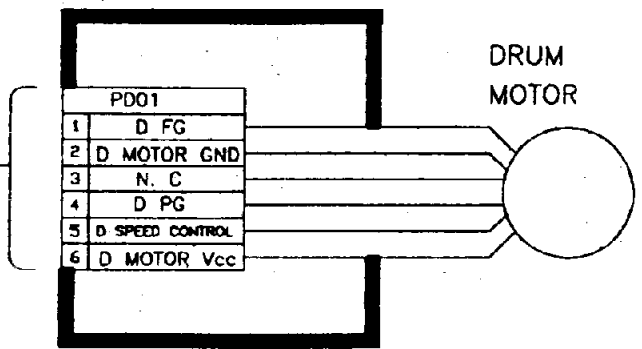
CAPSTAN MOTOR PCB



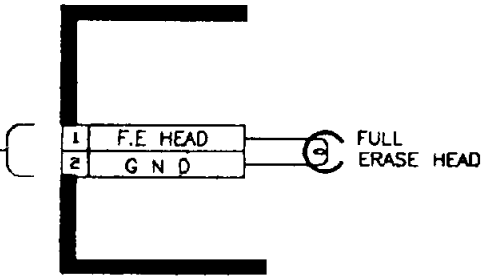
A/C HEAD PCB



DRUM MOTOR PCB



FE HEAD



MECHANICAL ADJUSTMENTS

MECHANICAL CHECKS

If irregular operation occurs or when reassembling a part, please check the following.

- 1) Make sure that the datum hole of the RELAY PLATE meets that of the MAIN BASE in the Eject Mode as shown in Fig. 4-1.
- 2) Make sure that the datum hole of the CAM GEAR meets that of the MAIN BASE in the Eject Mode as shown in Fig. 4-1.
- 3) There are two triangle marks on the MODE SWITCH. installing the L/C BRKT ASS'Y, make sure that the one mark meets the other in the Eject Mode as shown in Fig. 4-2.
- 4) Make sure that the BOSS of the PINCH LEVER ASS'Y is located outside of the CAM of the CAM GEAR in the Eject Mode as shown in Fig. 4-2.
- 5) Make sure that the datum hole of the MAIN PLATE meets that of the MAIN BASE in the Eject Mode as shown in Fig. 4-3.
- 6) When installing the RELAY GEAR, make sure that the triangle mark meets the last groove of the teeth on the MAIN PLATE in the Eject Mode as shown in Fig. 4-3.
- 7) Make Sure that the triangle mark of the L LOADING GEAR ASS'Y meets the < Shaped mark of the R LOADING GEAR ASS'Y in the Eject Mode as shown in Fig. 4-4.
- 8) Make sure that the 1st tooth of the R LOADING GEAR ASS'Y meets the 1st groove of the LOADING GEAR ASS'Y in the Eject Mode as shown in Fig. 4-4.

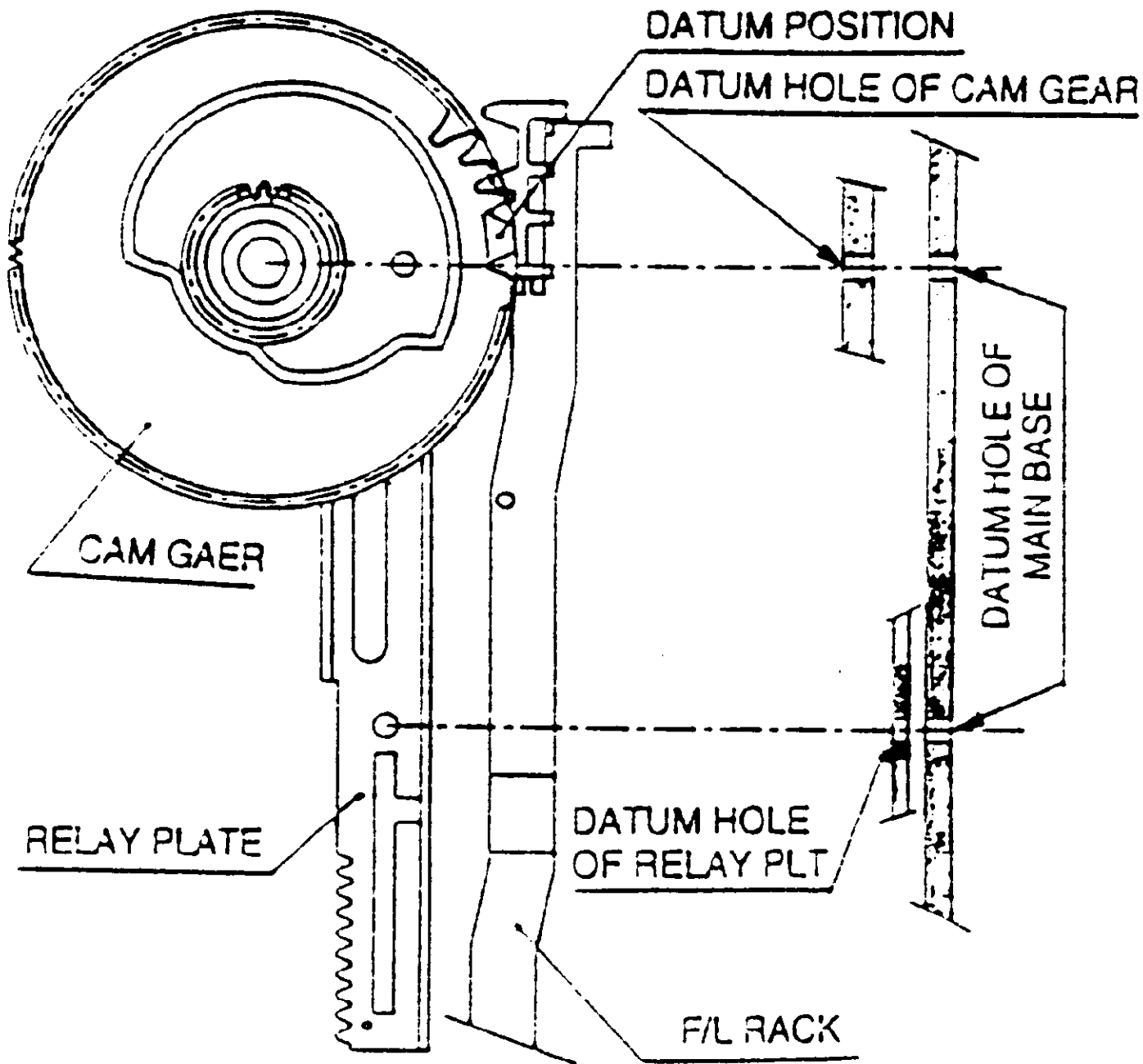


Fig. 4-1 DATUM POSITION OF RELAY PLATE & CAM GEAR

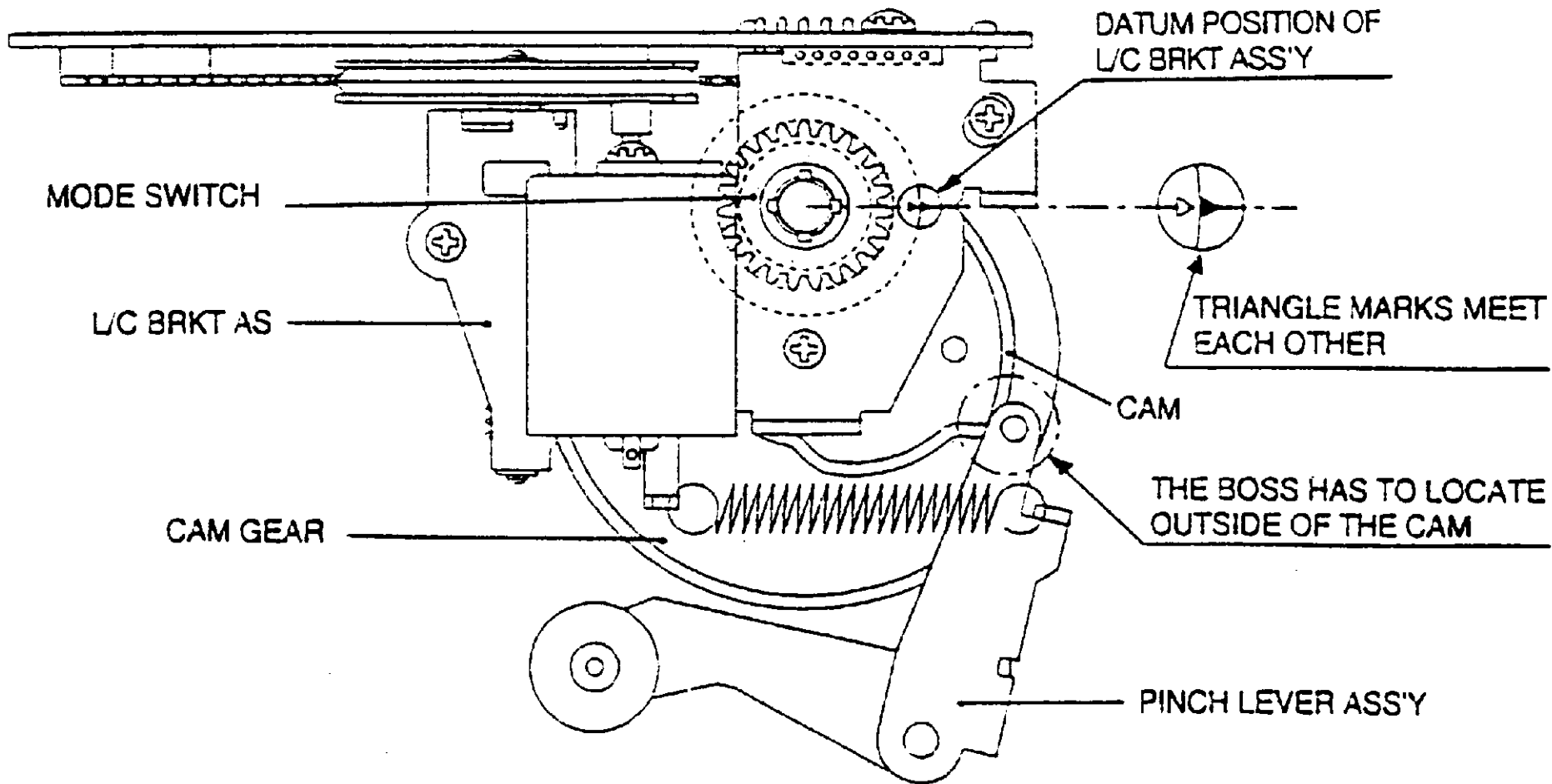


Fig. 4-2 DATUM POSITION OF L/C BRKT AS & PINCH LEVER AS

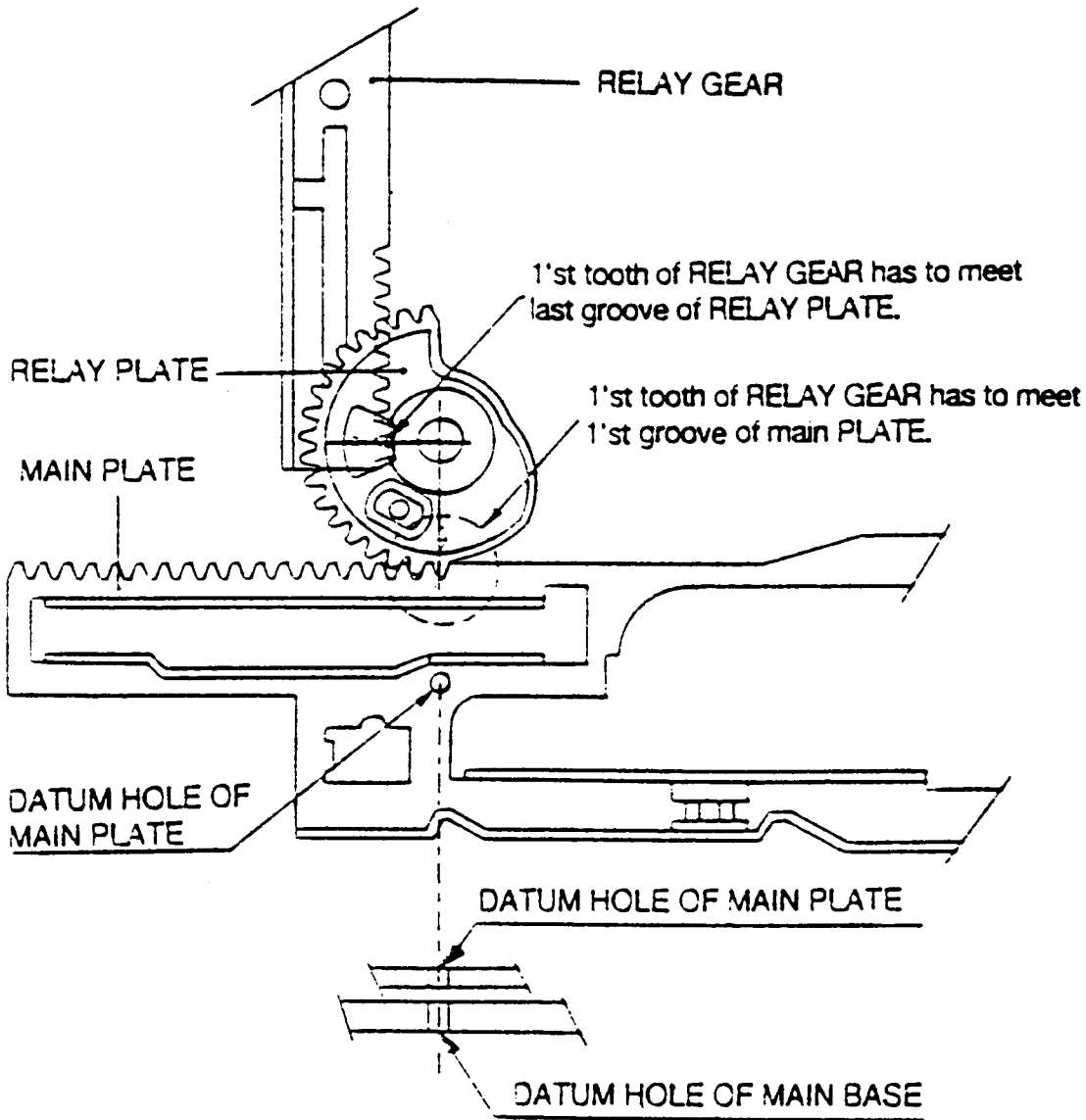


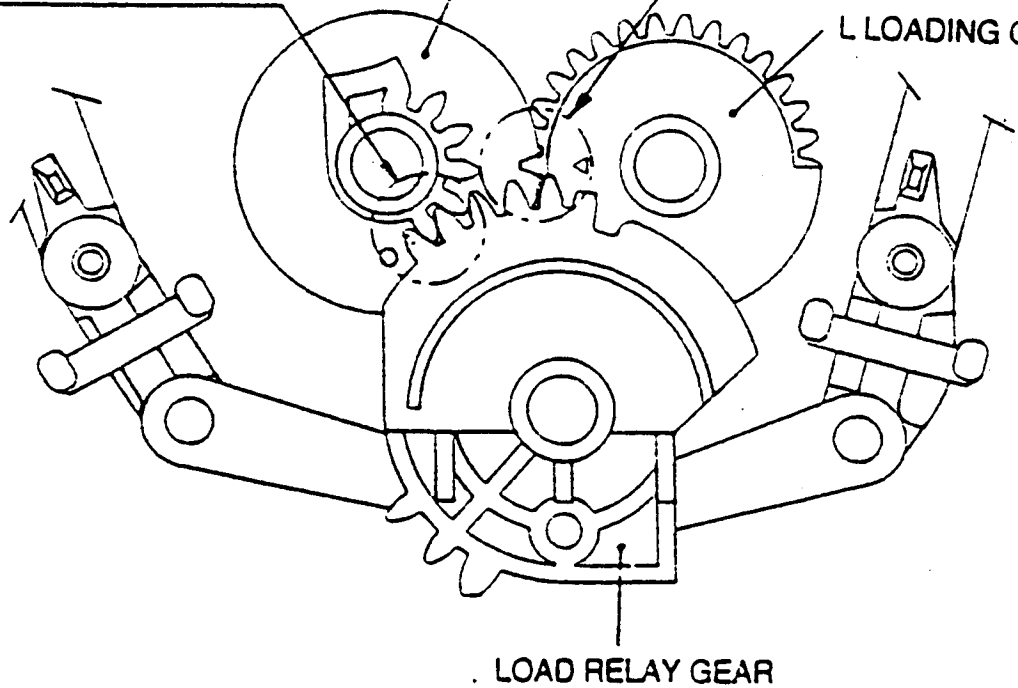
Fig. 4-3 DATUM POSITION OF MAIN PLATE & RELAY GEAR

LAST TOOTH OF R LOADING GEAR HAS TO MEET LAST GROOVE OF LOAD RELAY GEAR

R LOADING GEAR ASS'Y

DATUM POSITION OF R&L LOADING GEAR ASS'Y

L LOADING GEAR ASS'Y



LOAD RELAY GEAR

Fig. 4-4 DATUM POSITION OF LOADING GEAR ASS'Y & LOAD RELAY GEAR

2. HOW TO SET MECHANICAL MODE

- 1) With the F/L ASS'Y removed, turn on the POWER.
- 2) If rotate the WORM PULLEY 2 or 3 times manually, it will start loading and move to PLAY/STOP mode.
- 3) Press the desired button.
- 4) On performing the desired mode, pull out the power plug from the outlet.
- 5) Assemble and disassemble the F/L ASS'Y in the only EJECT mode.

3. MEASUREMENT OF PRESSING FORCE FOR PINCH ROLLER

- 1) In the state of loading the cassette tape, playback the tape by pressing the PLAY button.
- 2) After hanging the PUSH-PULL GUAGE on the HOOK of PINCH LEVER TOTAL AS, pulling it to the direction of (A) indicated by the arrow as shown Fig. 4-5.
- 3) The very moment tape stop, read the scale of PUSH-PULL GUAGE. (SPEC: 1.1 ± 0.2 kg).

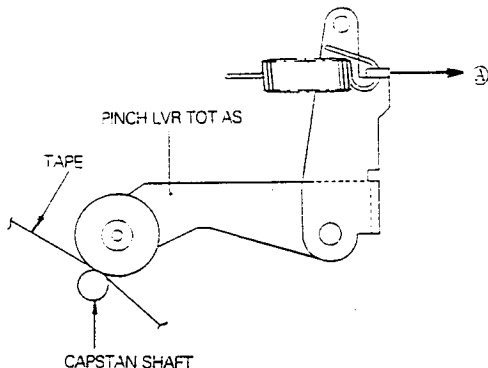


Fig. 4-5 MEASUREMENT OF PRESSING FORCE FOR PINCH ROLLER

4. ADJUSTMENT OF TENTION POLE POSITION

- 1) Turn on the Power and set to PLAY Mode by turning the WORM WHEEL without cassette.
- 2) Confirm with your eyes whether the datum hole of TENSION LEVER meets that of the MAIN BASE.
- 3) If they do not meet, turn the BAND BRAKE CAP to the CW or the CCW direction until holes meet each other (See Fig. 4-6).

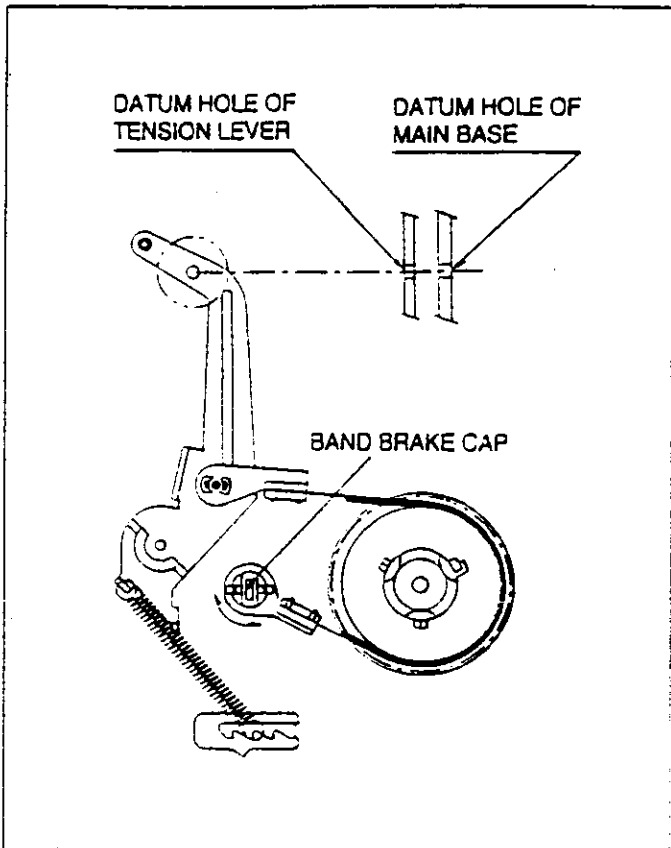


Fig. 4-6 ADJUSTMENT OF THE TENTION POLE POSITION

5. MEASUREMENT OF THE BACK TENTION

- 1) Before mesuring the BACK TENTION, make sure that the position of TENSION POLE is adjusted correctly.
- 2) Play back T-120 tape at its center position without F/L ASS'Y, wait until the tape running is stabilized (about 10-20 seconds).
- 3) Set the Tentelometer as shown in Fig. 4-7 and confirm the scale (SPEC: 20-27 gr/cm).
- 4) If the scale indicates more than 27 gr/cm, move the TENSION SPRING to "A" direction and less than 20 gr/cm, move to "B" direction. (See Fig. 4-7)

NOTES:

- Make sure that the three probes of the TENTELOMETER as all in good contact with tape.
- It is recomended to be measured three times as TENTELOMETER is very sensitive.

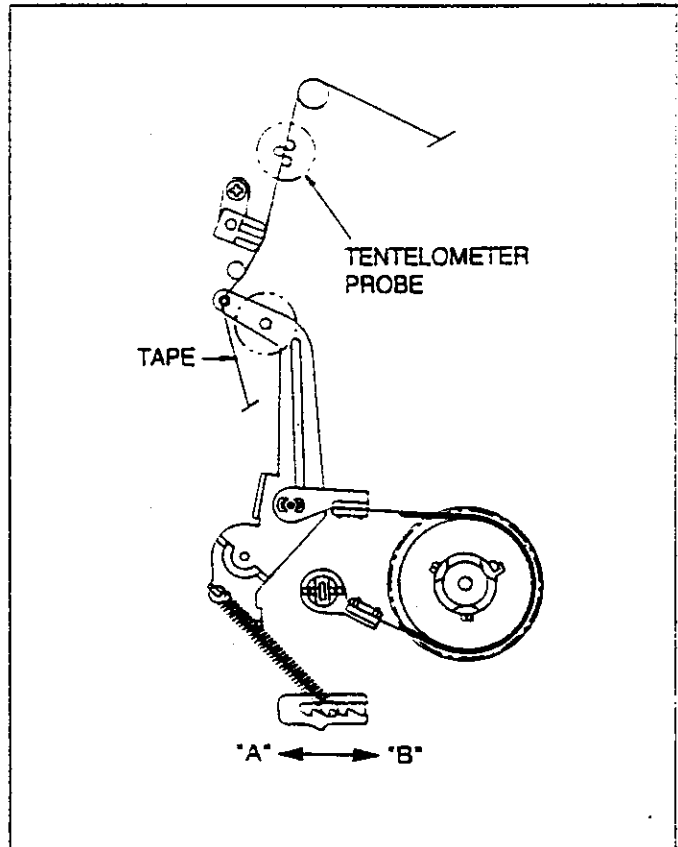
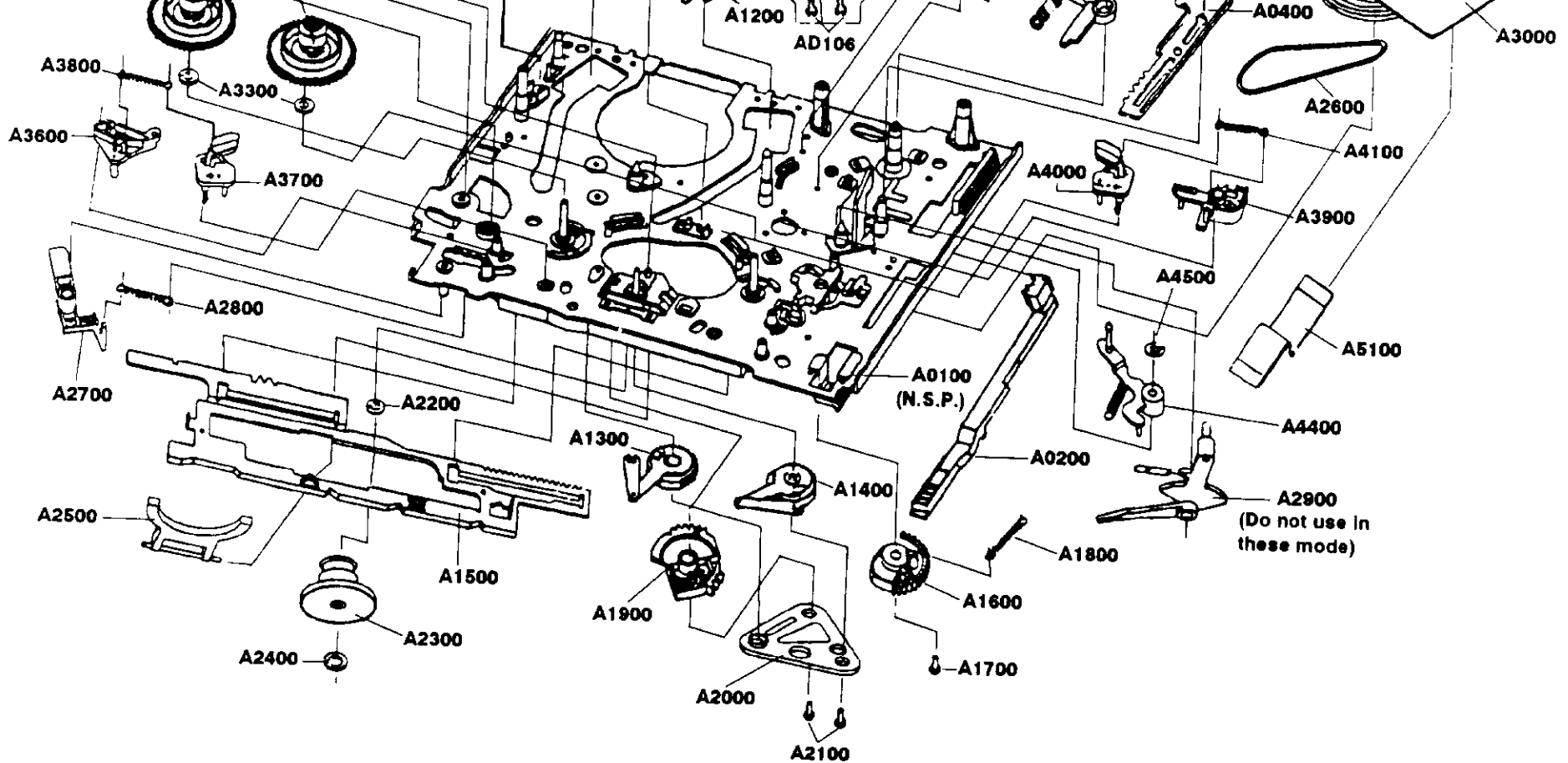
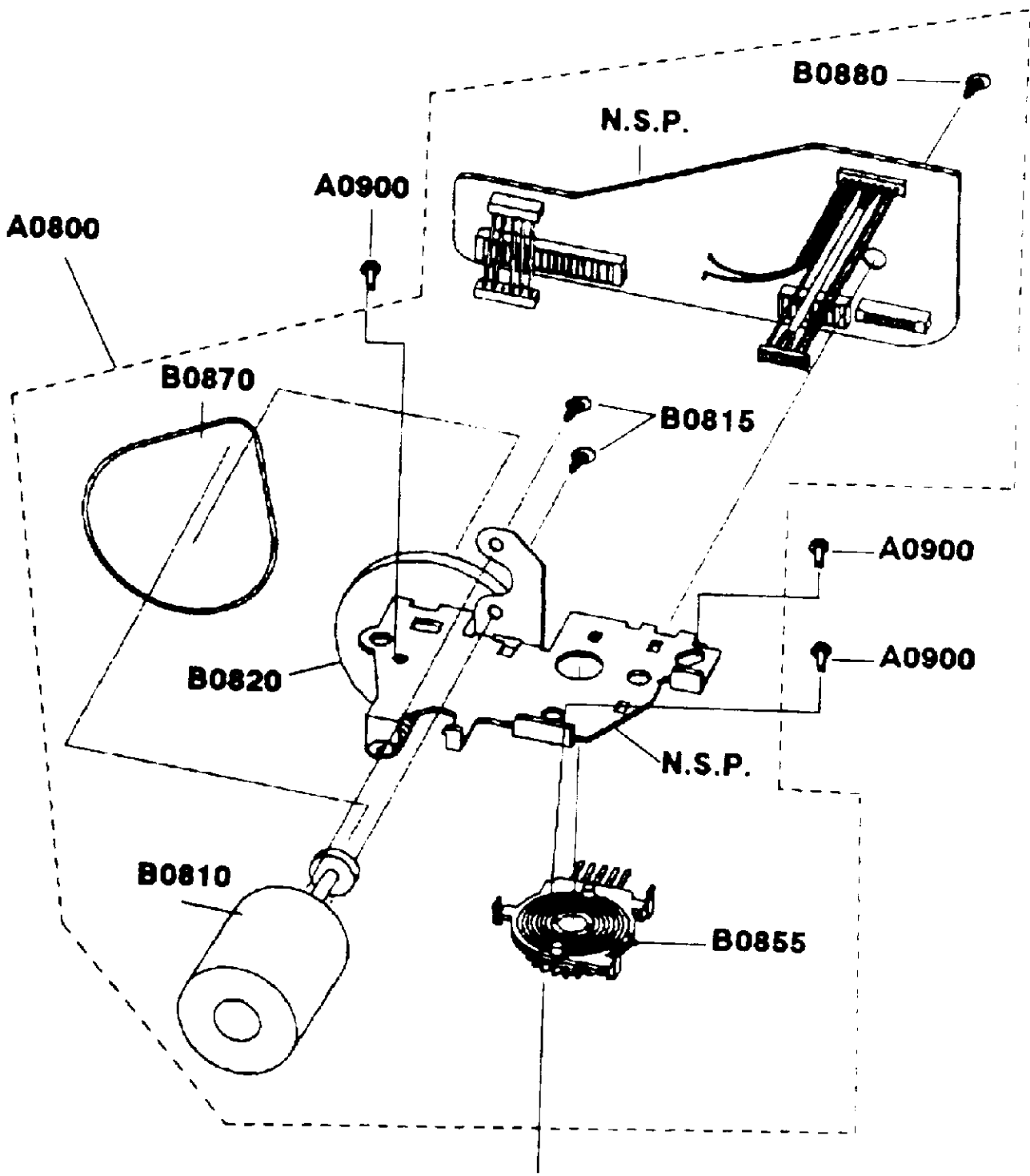
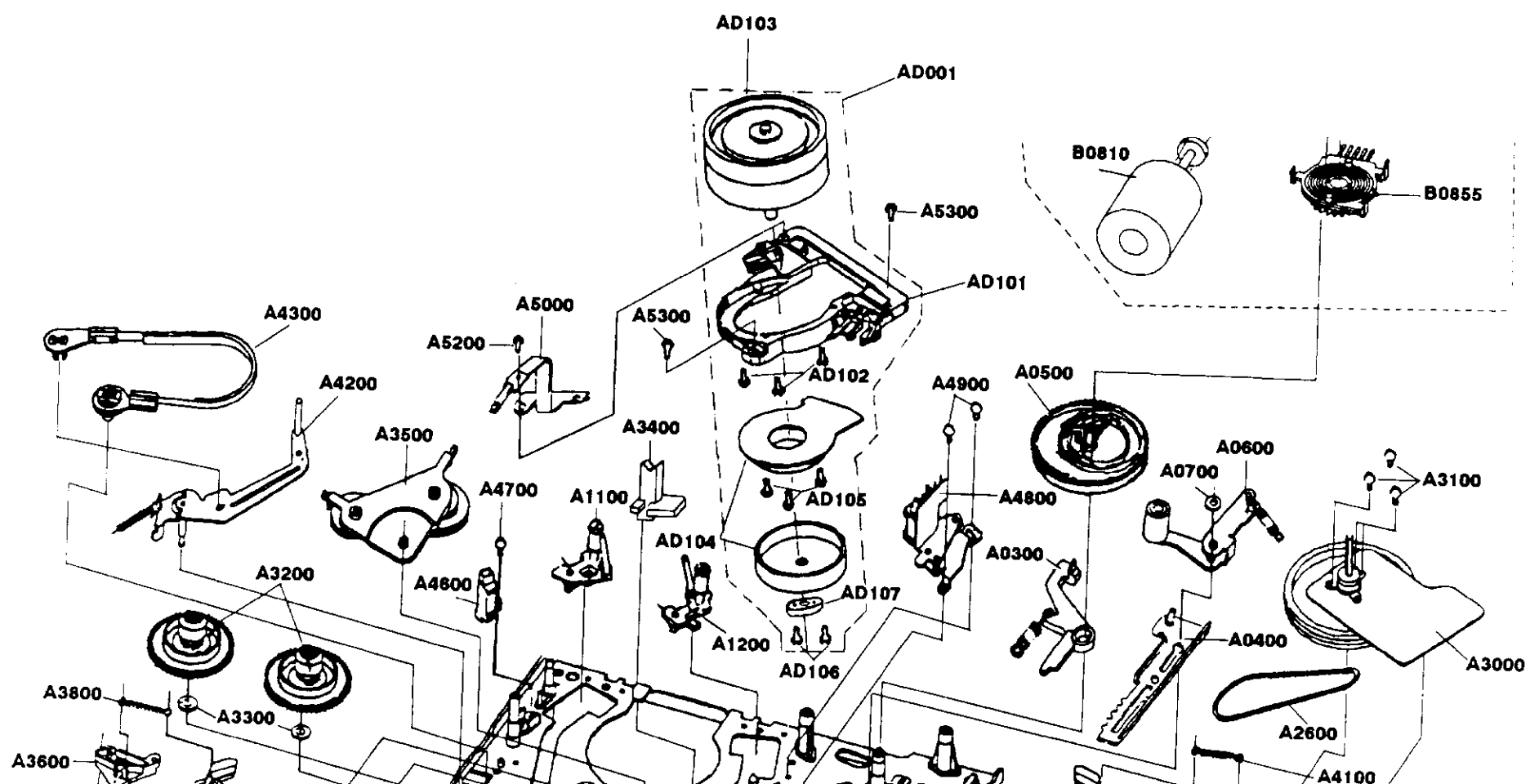
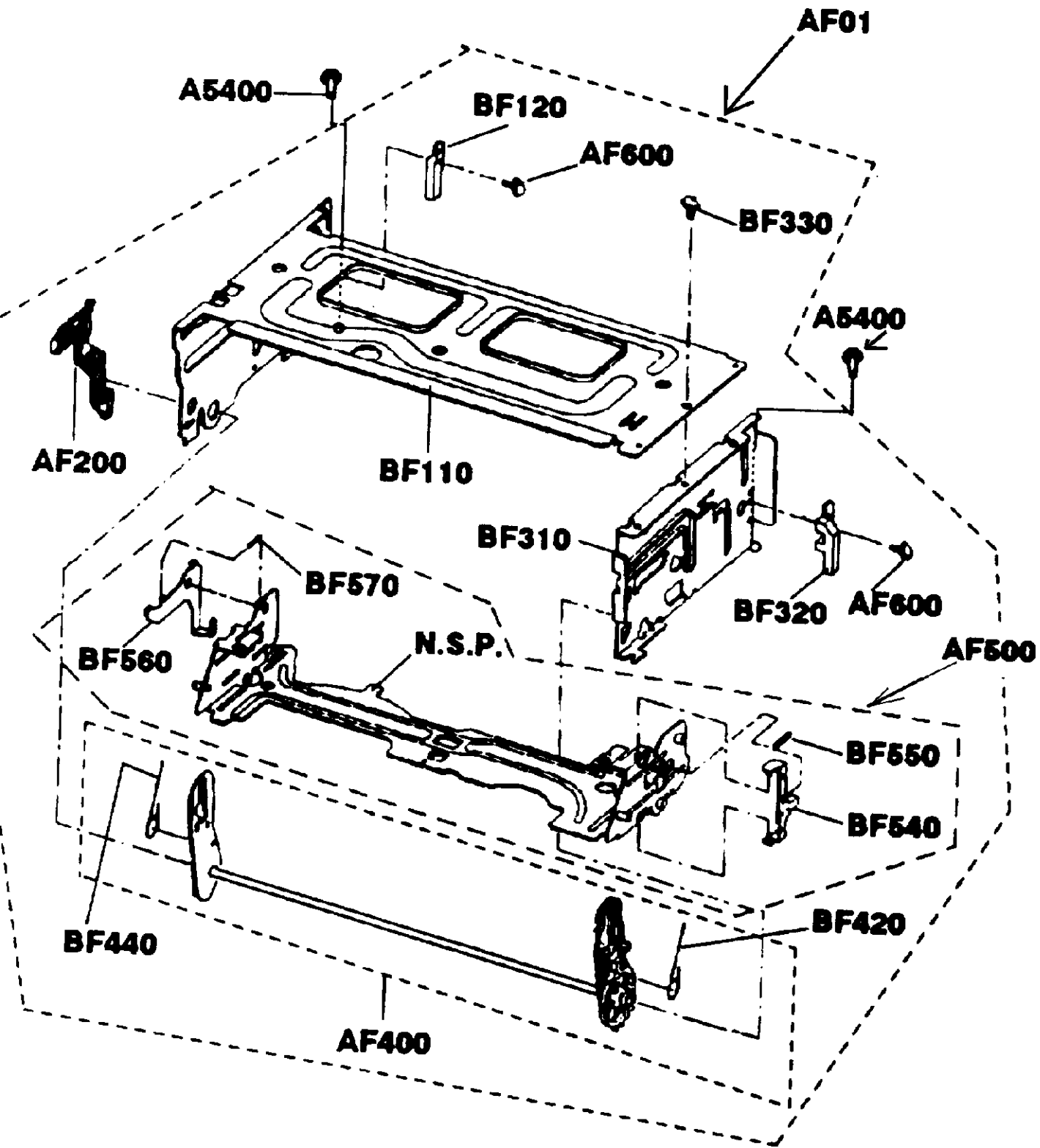


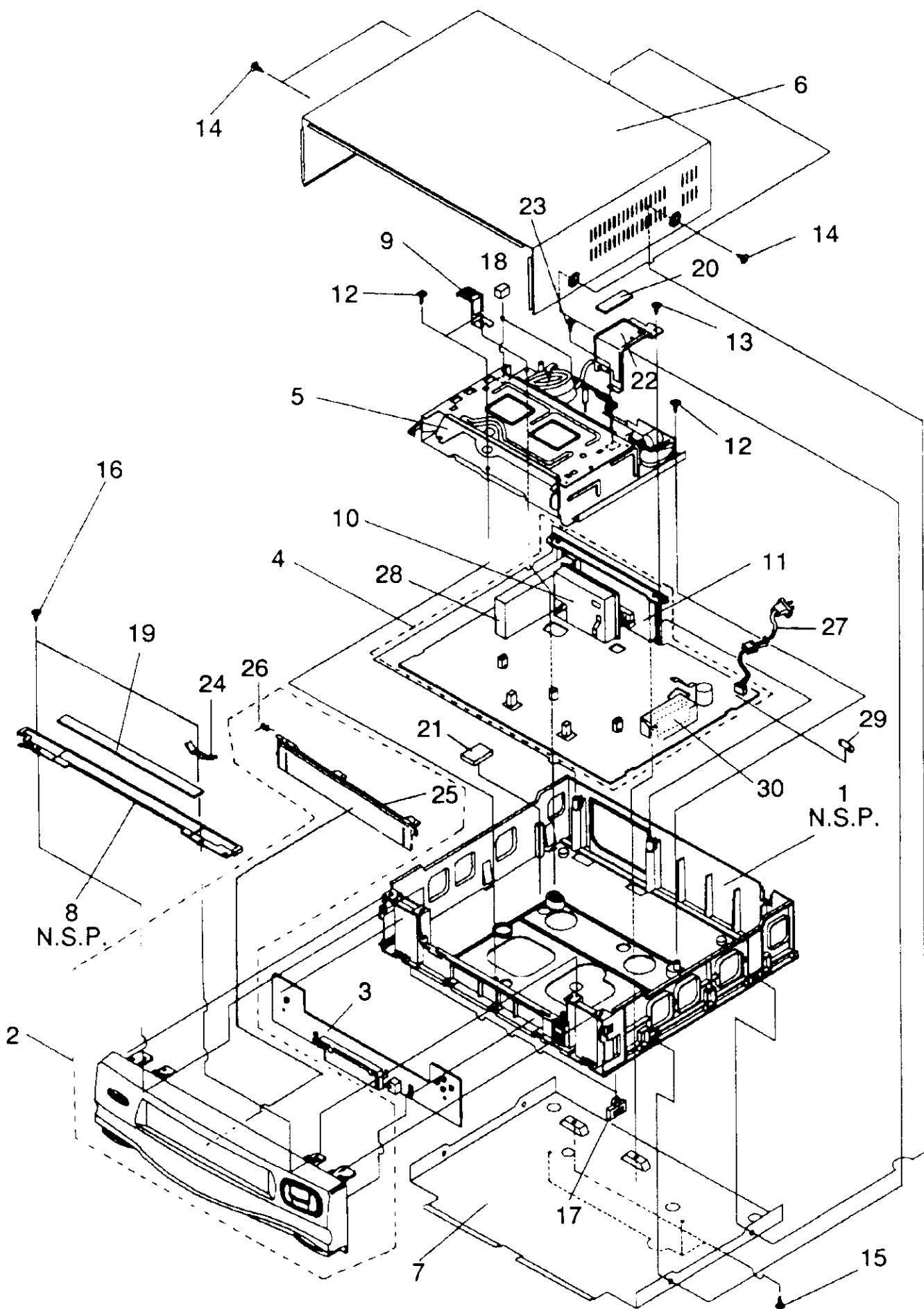
Fig. 4-7 MEASUREMENT OF THE BACK TENTION



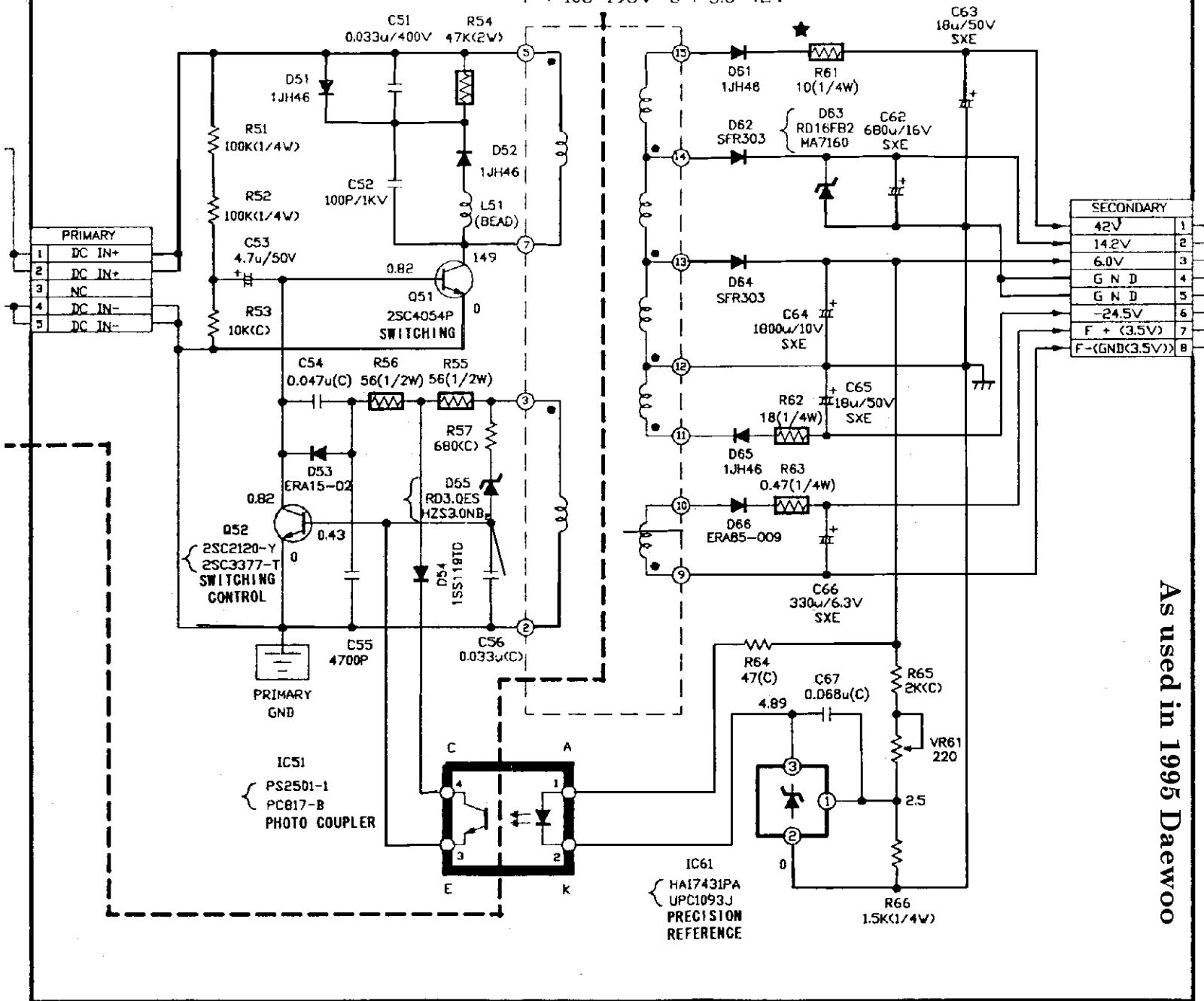








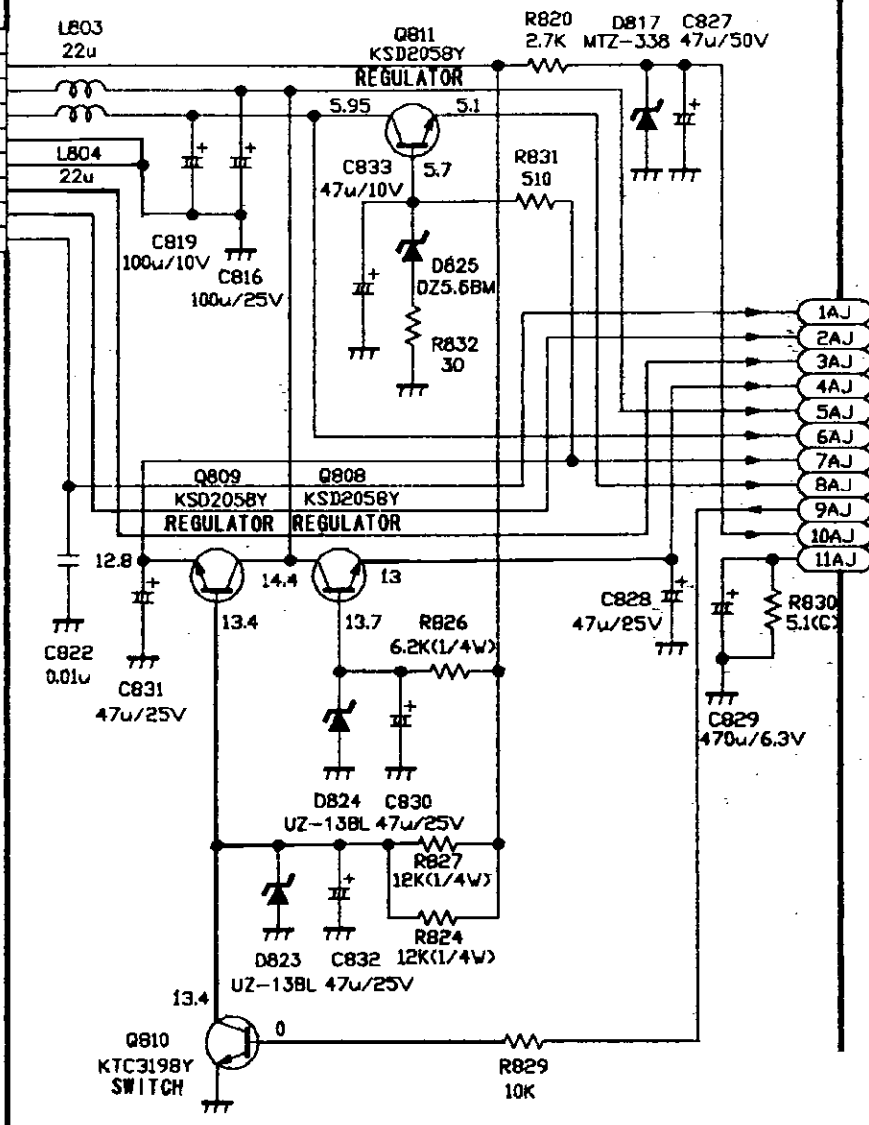
T51
429-088
P : 108-195V S : 3.5-42V



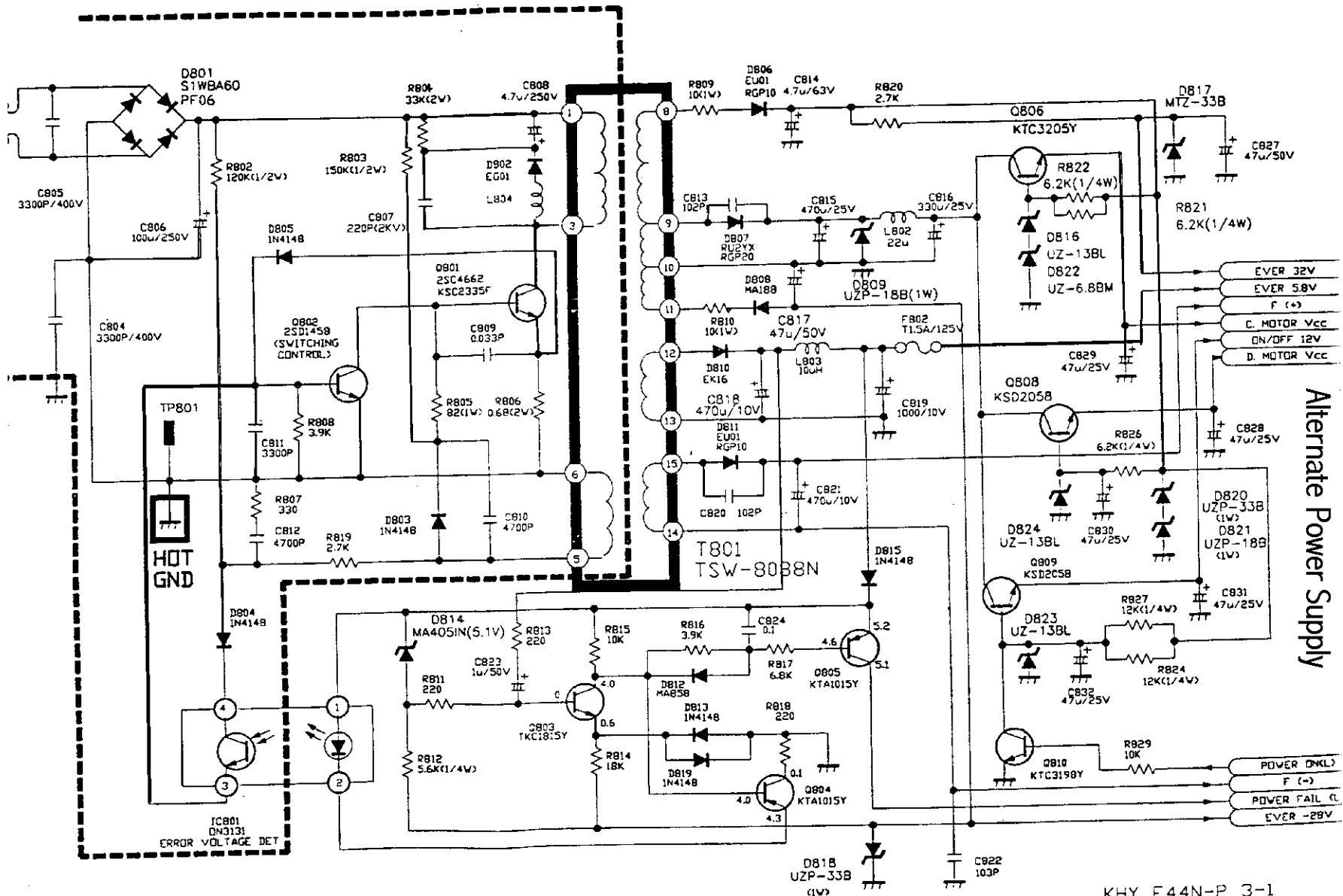
SONY SMPS MODULE ...
SONY SOPS2020

As used in 1995 Daewoo

SECONDARY	
42V	1
14.2V	2
6.0V	3
G N D	4
G N D	5
-24.5V	6
F + (3.5V)	7
F-(GND(3.5V))	8

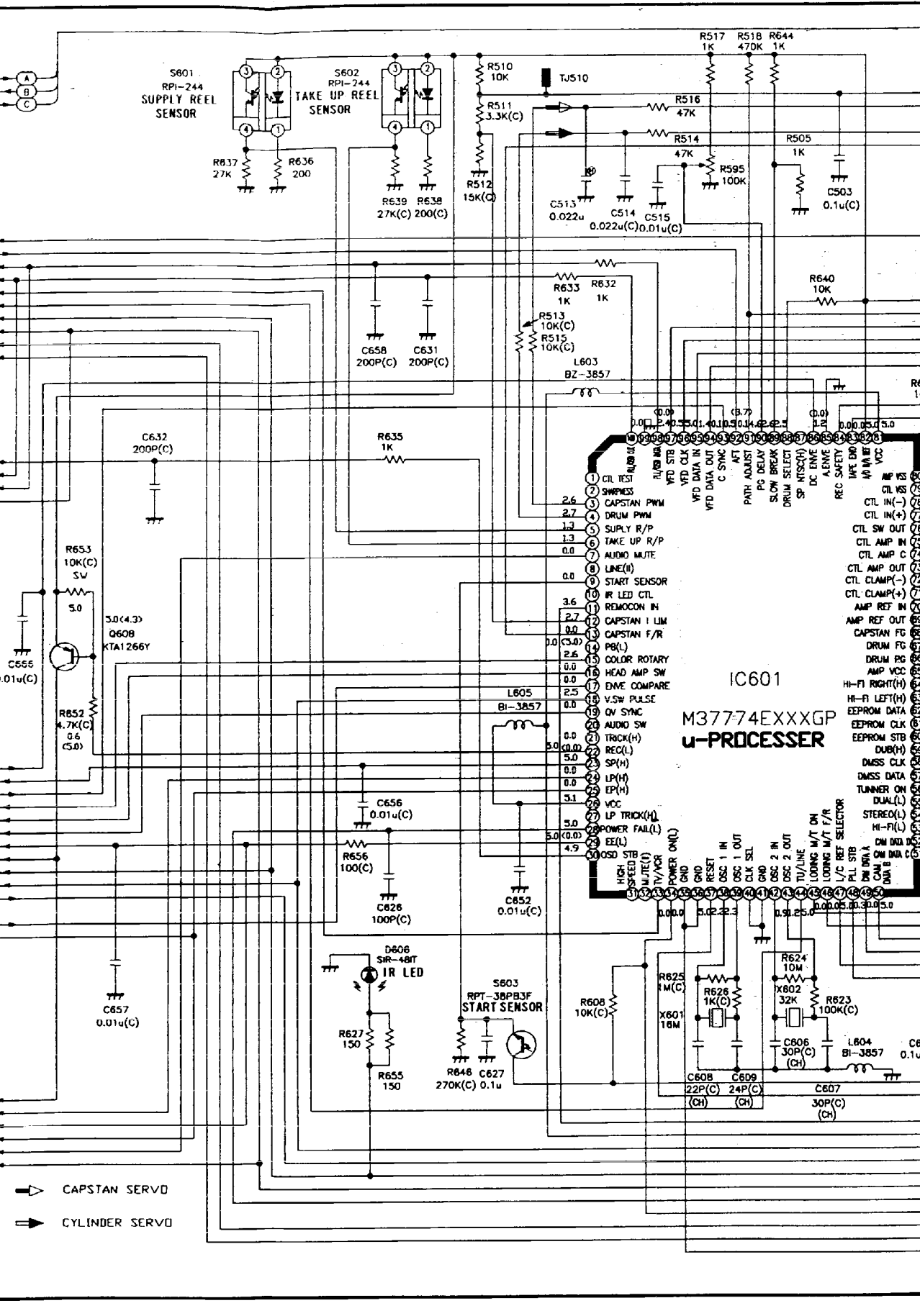


VOLTAGE : STOP MODE



Alternate Power Supply

- 1AE-3AF TO AUDIO
- 1AE HEAD A
- 2AE HEAD B
- 3AE HEAD C
- 1AN-10AN TO PIF & PUT SELECTOR
- 1AN PLL STB
- 2AN AFT
- 3AN DATA
- 4AN CLK
- 5AN IV/MCR
- 6AN TU/LINE
- 7AN ON/OFF 5V
- 8AN ON/OFF 12V
- 9AN EVER 32V
- 10AN TUNER ON(H)
- 1AH-4AH TO OSD
- 1AH OSD STB
- 2AH CLK
- 3AH DATA
- 4AH ON/OFF 12V
- 1AB-13AB TO VIDEO
- 1AB DC ENVE
- 2AB SP(H)
- 3AB C SYNC
- 4AB C. ROTARY
- 5AB H.A SW
- 6AB Q.V SYNC
- 7AB EE(L)
- 8AB REC(H)
- 9AB ON/OFF 5V
- 10AB V.SW PULSE
- 11AB PBY FM
- 12AB TRICK(H)
- 13AB COMP OUT
- 14AB EP(H)
- 4AE-8AE TO AUDIO
- 4AE REC(H)
- 5AE LP(H)
- 6AE EE(L)
- 7AE EP(H)
- 8AE MUTE(H)
- 9AE ON/OFF 12V



CAPSTAN SERVO
 CYLINDER SERVO

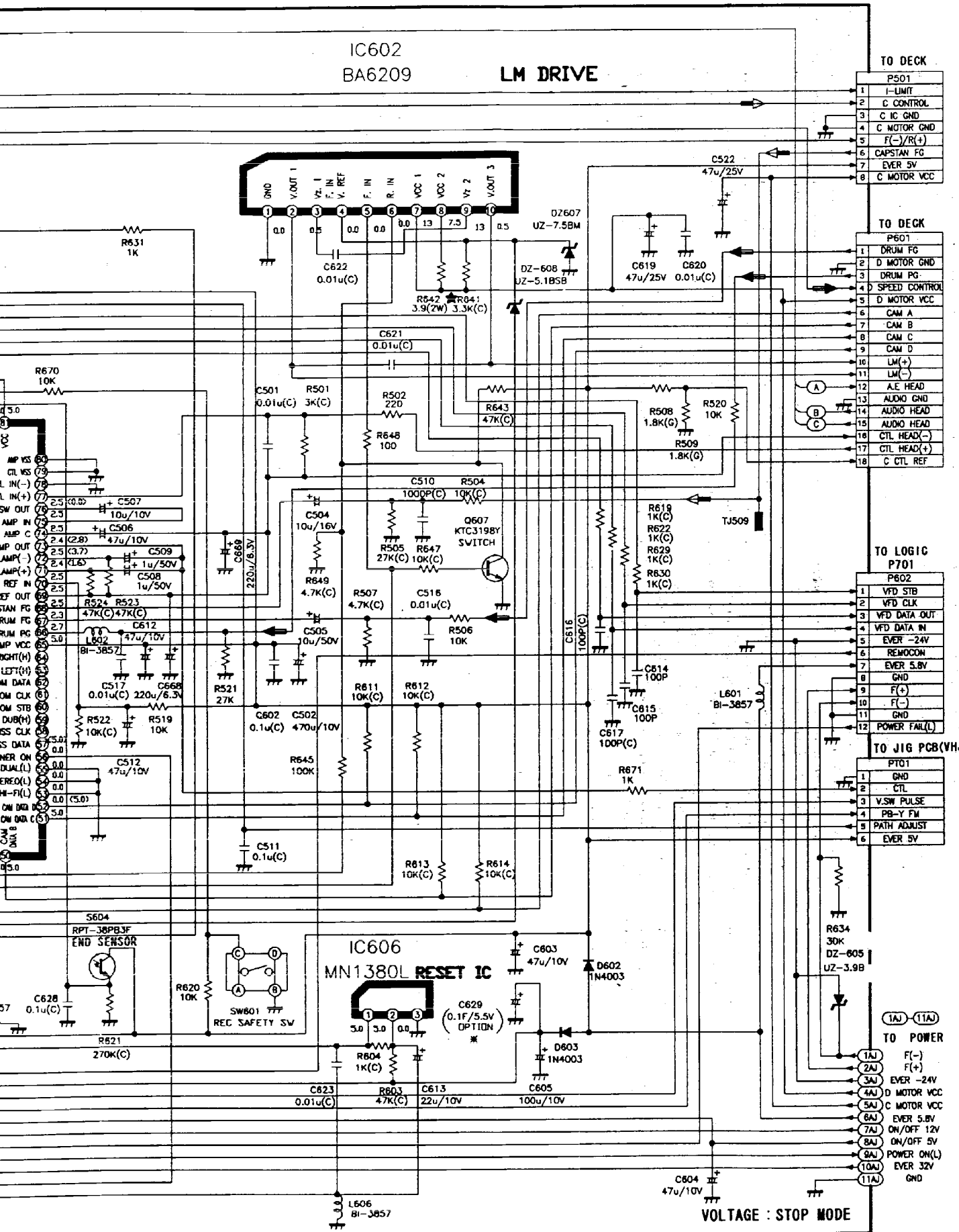
IC601

M37774EXXXGP
u-PROCESSOR

1	CTL TEST	0.0
2	SHARPNESS	0.0
2.6	CAPSTAN PWM	0.0
2.7	DRUM PWM	0.0
3.3	SUPPLY R/P	0.0
1.3	TAKE UP R/P	0.0
6	AUDIO MUTE	0.0
8	LINE(H)	0.0
9	START SENSOR	0.0
10	IR LED CTL	3.6
11	REMOCON IN	2.7
12	CAPSTAN LIM	0.0
13	CAPSTAN F/R	0.0
14	PB(L)	2.6
15	COLOR ROTARY	0.0
16	HEAD AMP SW	0.0
17	ENVE COMPARE	2.5
18	V.SW PULSE	0.0
19	OV SYNC	0.0
20	AUDIO SW	0.0
21	TRICK(H)	5.0
22	REC(L)	5.0
23	SP(H)	0.0
24	LP(H)	0.0
25	EP(H)	0.0
26	VCC	5.1
27	LP TRICK(L)	5.0
28	POWER FAIL(L)	5.0
29	EE(L)	4.9
30	OSD STB	0.0
31	HIGH SPEED	0.0
32	IV/MCR	0.0
33	POWER (ON)	0.0
34	GND	0.0
35	RESET	5.0
36	OSC 1 IN	5.0
37	OSC 1 OUT	5.0
38	CLK SEL	5.0
39	GND	0.0
40	OSC 2 IN	5.0
41	OSC 2 OUT	5.0
42	TU/LINE	0.0
43	LOADING M/T ON	0.0
44	LOADING M/T F/R	0.0
45	L/C REF SELECTOR	0.0
46	PLL STB	0.0
47	ENVE DATA	0.0
48	ENVE DATA	0.0
49	ENVE DATA	0.0
50	ENVE DATA	0.0
51	ENVE DATA	0.0
52	ENVE DATA	0.0
53	ENVE DATA	0.0
54	ENVE DATA	0.0
55	ENVE DATA	0.0
56	ENVE DATA	0.0
57	ENVE DATA	0.0
58	ENVE DATA	0.0
59	ENVE DATA	0.0
60	ENVE DATA	0.0

IC602
BA6209

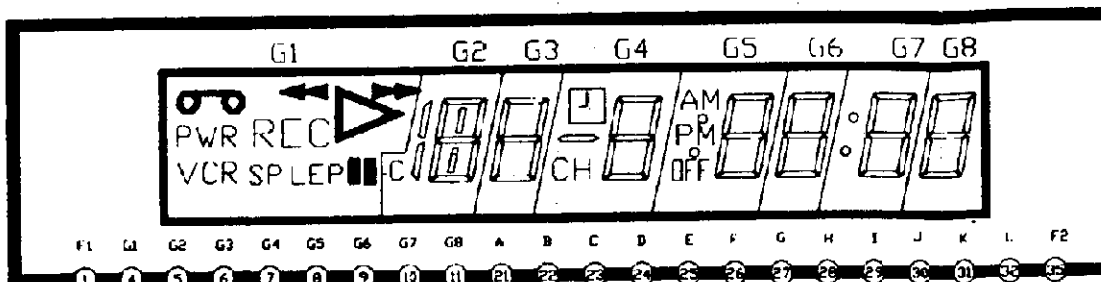
LM DRIVE



- TO DECK**
P501
1 I-LIMIT
2 C CONTROL
3 C IC GND
4 C MOTOR GND
5 F(-)/R(+)
6 CAPSTAN FG
7 EVER 5V
8 C MOTOR VCC
- TO DECK**
P601
1 DRUM FG
2 D MOTOR GND
3 DRUM PG
4 SPEED CONTROL
5 D MOTOR VCC
6 CAM A
7 CAM B
8 CAM C
9 CAM D
10 LM(+)
11 LM(-)
12 A/E HEAD
13 AUDIO GND
14 AUDIO HEAD
15 AUDIO HEAD
16 CTL HEAD(-)
17 CTL HEAD(+)
18 C CTL REF
- TO LOGIC**
P701
P802
1 VFD STB
2 VFD CLK
3 VFD DATA OUT
4 VFD DATA IN
5 EVER -24V
6 REMOCON
7 EVER 5.8V
8 GND
9 F(+)
10 F(-)
11 GND
12 POWER FAIL(L)
- TO JIG PCB (VH)**
PT01
1 GND
2 CTL
3 V.SW PULSE
4 PB-Y FM
5 PATH ADJUST
6 EVER 5V
- TO POWER**
11A F(-)
2A F(+)
3A EVER -24V
4A D MOTOR VCC
5A C MOTOR VCC
6A EVER 5.8V
7A ON/OFF 12V
8A ON/OFF 5V
9A POWER ON(L)
10A EVER 32V
11A GND

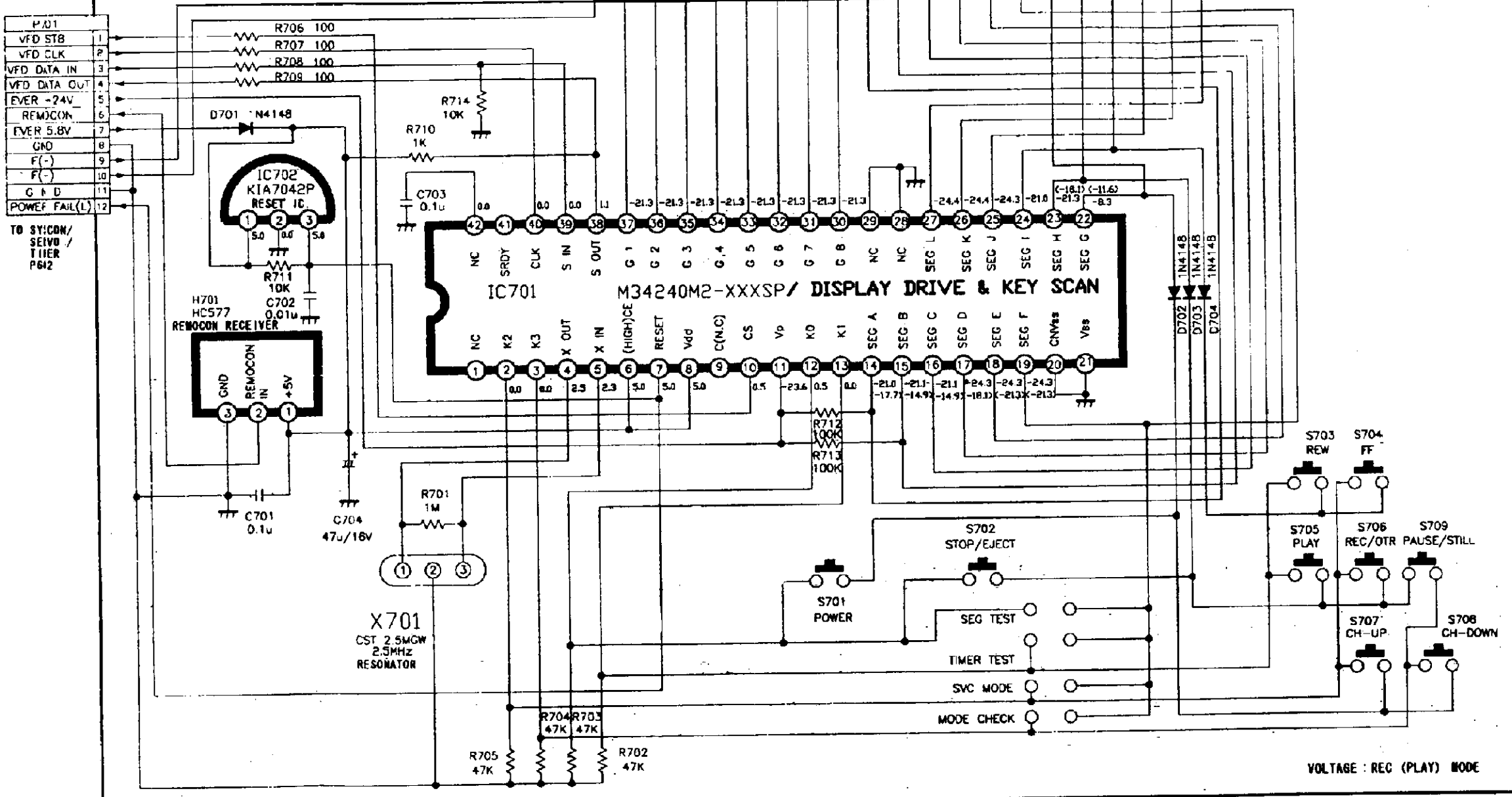
VOLTAGE : STOP MODE

G701
8MT-88GK
VFD



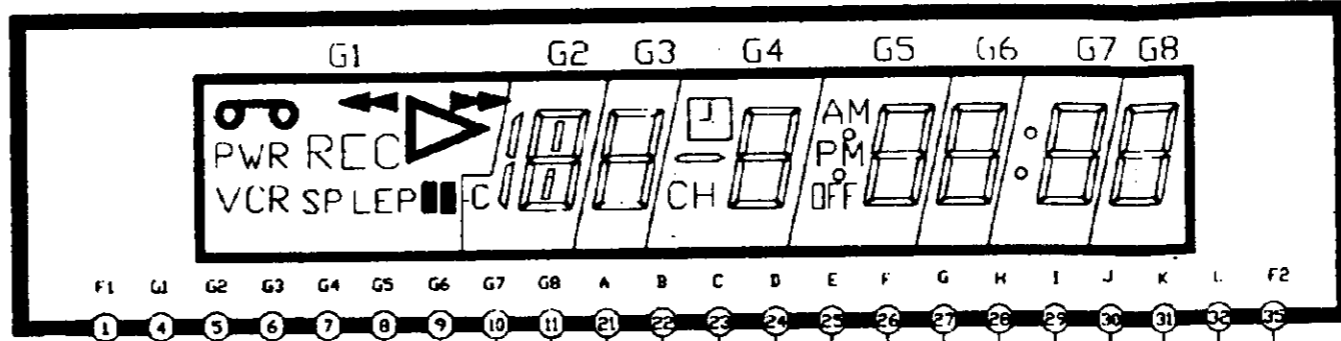
PAD1	1
VFD STB	2
VFD CLK	3
VFD DATA IN	4
VFD DATA OUT	5
EVER -24V	6
REMOCON	7
EVER 5.8V	8
GND	9
F(-)	10
F(-)	11
GND	12
POWER FAIL(L)	13

TO SYCON/
SEIVO/
THER
P642



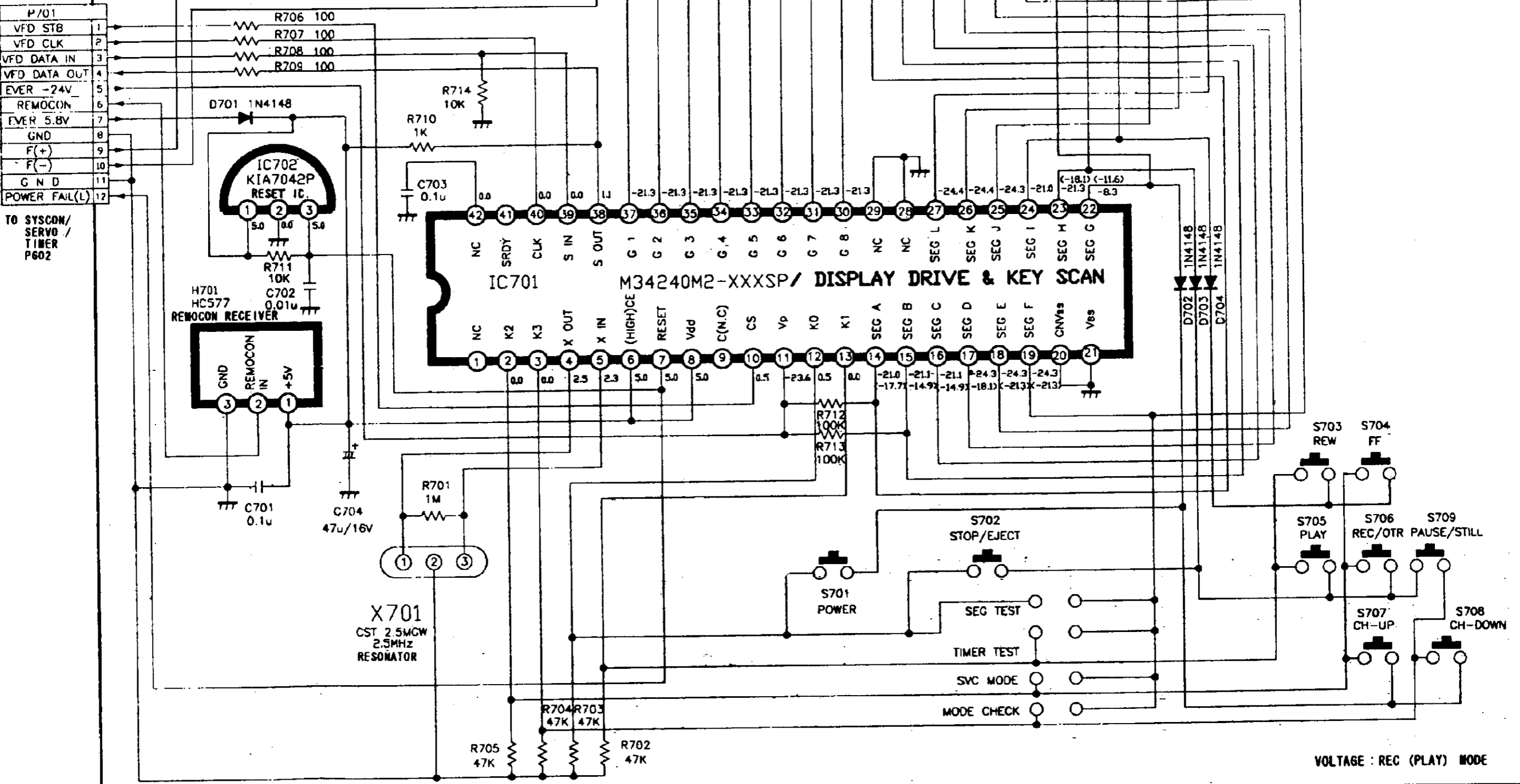
VOLTAGE : REC (PLAY) MODE

G701
8MT-88GK
VFD



P/01	
VFD STB	1
VFD CLK	2
VFD DATA IN	3
VFD DATA OUT	4
EVER -24V	5
REMOCON	6
EVER 5.8V	7
GND	8
F(+)	9
F(-)	10
GND	11
POWER FAIL(L)	12

TO SYSCON/
SERVO /
TIMER
P602



VOLTAGE : REC (PLAY) MODE

- 1AB DC.ENVE
- 2AB SP(H)
- 3AB C-SYNC
- 4AB C-ROTARY
- 5AB H.A SW
- 6AB QV-SYNC
- 7AB EE(L)
- 8AB REC(H)
- 9AB ON/OFF 5V
- 10AB V.SW PULSE
- 11AB PB-Y FM
- 12AB TRICK (H)
- 13AB COMP OUT
- 14AB NC

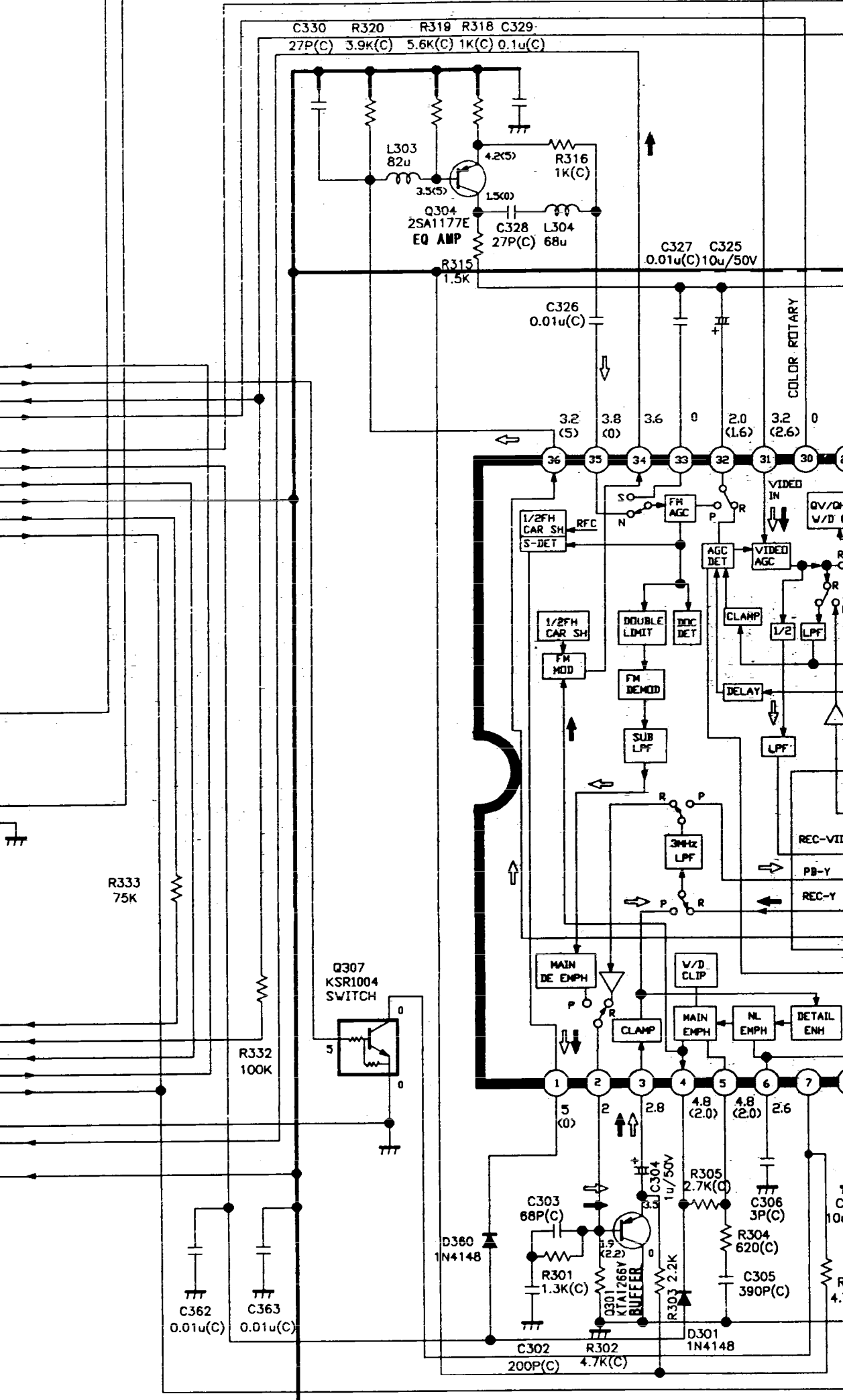
TO SYSCON

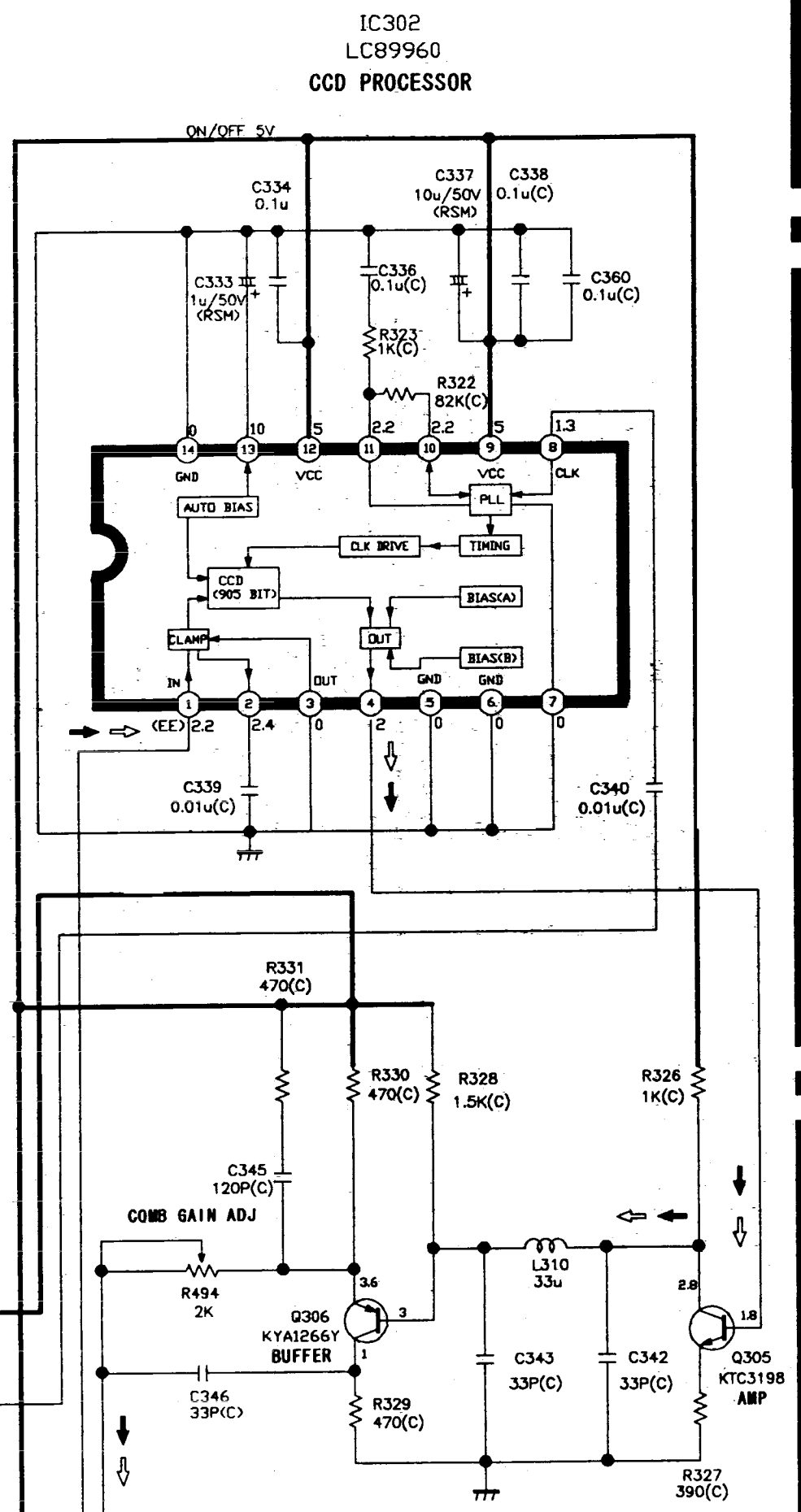
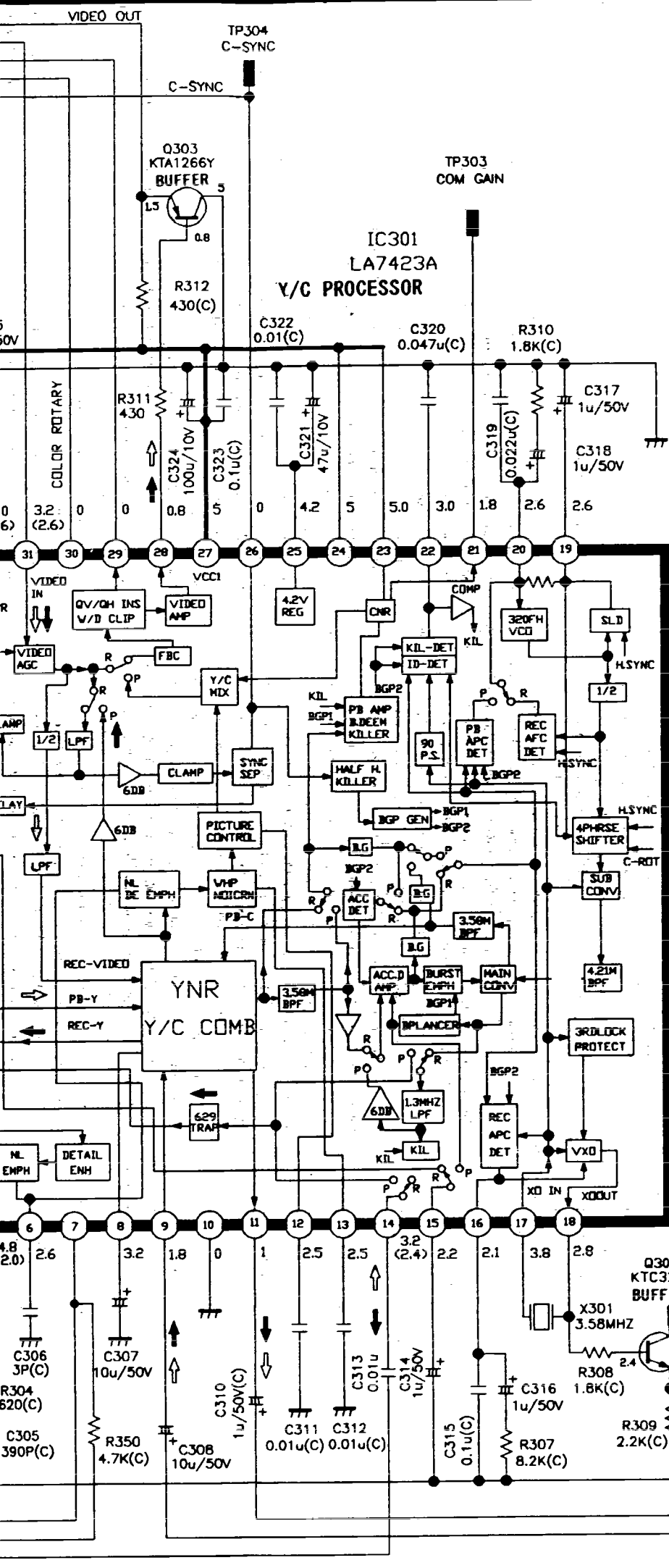
VIDEO TO OSD

VIDEO GND TO PIF

P301	
N.C	1
N.C	2
N.C	3
V.SW PULSE	4
C-SYNC	5
REC(H)	6
DC ENVE	7
PB-Y FM/REC-C	8
NC	9
GND	10
REC-Y	11
N.C	12
ON/OFF 5V	13

TO PREAMP PA02



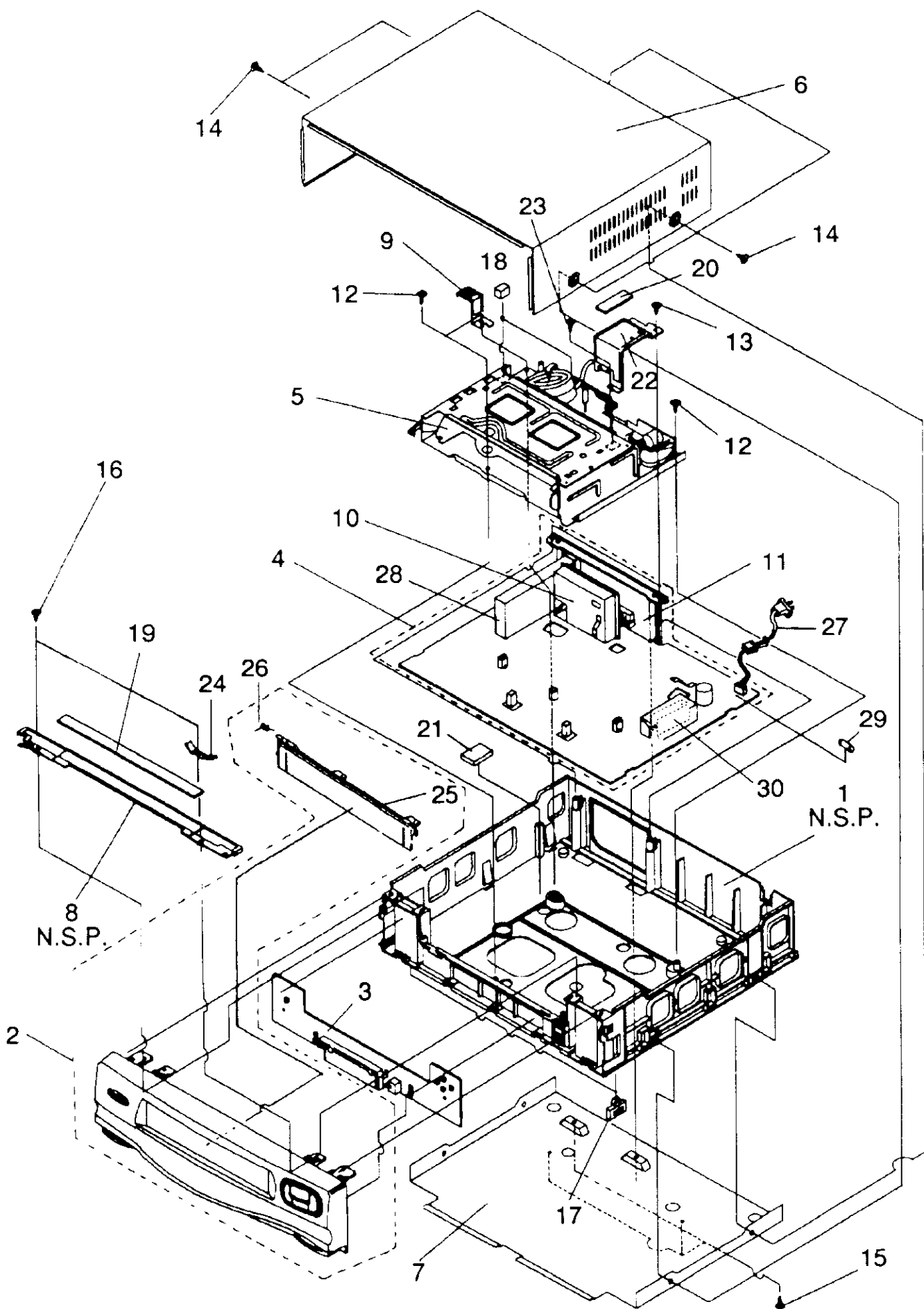


← REC VIDEO SIGNAL
 ← PB VIDEO SIGNAL

IC302
 LC89960
 CCD PROCESSOR

IC301
 LA7423A
 Y/C PROCESSOR

VOLTAGE : REC (PLAY) MODE



CABINET AND CHASSIS PARTS

LOCATION	PARTS No.	DESCRIPTION	LOCATION	PARTS No.	DESCRIPTION
1	△ 6450140501	CHASSIS MAIN(N.S.P.)	14	6450131530	SCREW TT2 BIN 4X10 BK MFZN
2	6450131653	PANEL FRONT AS(FVH- 2512)	15	6450095207	SCREW TT2 RND 3X10 MFZN
OR	6450131622	PANEL FRONT AS(FVH- 2514)	16	6450074431	SCREW TT2 BIN 4X12 MFZN
OR	6450131639	PANEL FRONT AS(VHR- 5218)	17	6450074790	LEG
OR	6450131646	PANEL FRONT AS(VHR- 5220)	18	6450132056	CUSHION F/L
3	6450130885	PCB LOGIC AS(N.S.P.) (FVH- 2512, FVH- 2514)	19	6450132070	CUSHION BRKT
OR	6450130892	PCB LOGIC AS(N.S.P.) (VHR- 5218, VHR- 5220)	20	6450132087	CUSHION B/D
4	6450140372	PCB MAIN AS(N.S.P.) (FVH- 2512, VHR- 5218, VHR- 5220)	21	6450132063	CUSHION PCB
OR	6450130991	PCB MAIN AS(N.S.P.) (FVH- 2514)	22	6450132025	BRKT DECK
5	6450130854	DECK AS(N.S.P.)	23	6450074479	SCREW TT3 RND 3X6 MFZN
6	6450131714	COVER TOP	24	6450074806	PLATE EARTH AB
7	△ 6450140495	COVER BOTTOM	25	6450131974	DOOR F/L(FVH- 2512)
8	6450132018	BRKT F/L(N.S.P.)	OR	6450131943	DOOR F/L(FVH- 2514)
9	6450132049	BRKT EARTH TMI AS	OR	6450131950	DOOR F/L(VHR- 5218)
10	6450131097	PCB PREAMP AS(N.S.P.)	OR	6450131967	DOOR F/L(VHR- 5220)
11	6450140518	BOARD ANT	26	6450075018	SPRING F/L DOOR
12	6450074431	SCREW TT2 BIN 4X12 MFZN	27	△ 6450140389	POWER CORD AS
13	6450140464	SCREW TT2 BIN 4X14 MFZN	28	6450132339	TUNER 3 IN 1
			29	△ 6450074103	FUSE GLASS TUBE(F801)
			30	6450131608	PCB SMPS SUB AS

MECHANISM PARTS

<u>LOCATION</u>	<u>PARTS No.</u>	<u>DESCRIPTION</u>	<u>LOCATION</u>	<u>PARTS No.</u>	<u>DESCRIPTION</u>
AF001	6450132490	F/L AS	A2600	6450133947	BELT REEL
AF200	6450132995	OPENER DOOR	A2700	6450133169	LEVER RECORD SAFETY
AF400	6450132681	LOADING LEVER AS	A2800	6450133459	SPRING REC SAFETY
AF500	6450132698	CST HOLDER AS	A3000	6450134029	MOTOR CAPSTAN
AF600	6450131578	SCREW TT3 WAS 3X6 MFZN	A3100	6450074516	SCREW TT3 WAS 2.6X6 MFZN
BF110	6450133084	PLATE TOP	A3200	6450133367	REEL TABLE
BF120	6450133237	LINK PRISM L	A3300	6450076206	POLY SLIDER D3.1XD6XT0.5
BF310	6450133077	BRACKET F/L R	A3400	6450133183	LINK LED PRISM
BF320	6450133220	LINK PRISM R	A3500	6450132599	IDLER PLATE AS
BF330	6450131561	SCREW TT3 RND 2.6X6 MFZN	A3600	6450133954	BRAKE S SUB
BF420	6450133534	SPRING LEVER R	A3700	6450132605	S MAIN BRAKE AS
BF440	6450133541	SPRING L LEVER	A3800	6450133558	SPRING S BRAKE
BF540	6450133244	LEVER RELEASE	A3900	6450132612	T SUB BRAKE AS
BF550	6450133510	SPRING RELEASE	A4000	6450132629	T MAIN BRAKE AS
BF560	6450133190	LEVER SAFETY	A4100	6450133565	SPG T BRAKE
BF570	6450133527	SPRING SAFETY	A4200	6450132636	TENSION LEVER AS
			A4300	6450132674	BAND BRAKE TOTAL AS
A0100	6450132506	MAIN BASE AS(N.S.P.)	A4400	6450132643	REVIEW ARM AS
A0200	6450133251	RACK FL	A4500	6450133626	POLY WASHER D3.6XD6XT0.5
A0300	6450132728	RETURN LEVER AS	A4600	6450134012	HEAD FE
A0400	6450132513	RELAY PLATE AS	A4700	6450095191	SCREW TT2 PAN 2.6X10 MFZN
A0500	6450133268	GEAR CAM	A4800	6450132650	AC HEAD TOTAL AS
A0600	6450132520	PINCH LEVER TOTAL AS	A4900	6450131516	SCREW MACHINE PAN 3X6 HS MFZN
A0700	6450133626	POLY WASHER D3.6XD6XT0.5	A5000	6450132667	EARTH BRKT AS
A0800	6450132537	L/C BRKT AS	A5100	6450132346	CABLE FFC AS
A0900	6450131547	SCREW TT2 WAS 3X8 MFZN	A5200	6450074509	SCREW TT3 RND 3X12 MFZN
A1100	6450132544	S SLANT POLE AS	A5300	6450074493	SCREW TT3 RND 3X10 MFZN
A1200	6450132551	T SLANT POLE AS	A5400	6450074479	SCREW TT3 RND 3X6 MFZN
A1300	6450132568	L LOADING GEAR AS	AD001	6450130786	DRUM TOTAL AS
A1400	6450132575	R LOADING GEAR AS	AD101	6450140631	DRUM BASE
A1500	6450132902	PLATE MAIN	AD102	6450074387	SCREW MACHINE PAN 3X8 SW MFZN
A1600	6450133305	GEAR RELAY	AD103	6450072567	DRUM AS
A1700	6450131547	SCREW TT2 WAS 3X8 MFZN	AD104	6450075650	DRUM MOTOR AS
A1800	6450133572	SPRING RELAY	AD105	6450074349	SCREW MACHINE PAN 2.6X10 MFZN
A1900	6450133312	GEAR LOAD RELAY	AD106	6450140457	SCREW MACHINE PAN 2.6X8 SW MFZN
A2000	6450132919	PLATE LOADING GUIDE	AD107	6450140624	DAMPER DYNAMIC AS
A2100	6450131547	SCREW TT2 WAS 3X8 MFZN	B0810	6450132742	L/C MOTOR AS
A2200	6450076220	POLY SLIDER D3.1XD6XT0.25	B0815	6450131509	SCREW MACHINE PAN 3 X 4 MFZN
A2300	6450132582	REEL DRIVE TOTAL AS	B0820	6450133824	PULLEY WORM
A2400	6450076183	POLY WASHER D2.6XD6.0XT0.5	B0855	6450131431	SW MODE
A2500	6450133152	LEVER CLUTCH	B0870	6450133930	BELT L/C
			B0880	6450131523	SCREW T2S PAN 4X6 MFZN
			B1110	6450132766	S POLE BASE AS

ELECTRICAL PARTS

NOTE;

1. Tolerance of Capacitor (10pF over) and Resistor are noted follow symbols.

C: ± 0.25% D: ± 0.5% G: ± 2% J: + 5% K: ± 10% M: ± 20% Z: ± 80% ~ - 20%

2. Capacitors

U: μF P: pF

3. Inductors

UH: μH MH: mH

4. N.S.P.: Not available as service parts

LOCATION	PARTS No.	DESCRIPTION	LOCATION	PARTS No.	DESCRIPTION
PCB MAIN AS (N.S.P.)			C338	6450139758	C CHIP CERA 50V 0.1UF Z
COMPL No.6450140372		(FVH- 2512,VHR- 5218,VHR- 5220)	C339	6450139741	C CHIP CERA 50V 0.01UF Z
COMPL No.6450130991		(FVH- 2514)	C340	6450139741	C CHIP CERA 50V 0.01UF Z
			C342	6450139871	C CHIP CERA 50V 33PF J
			C343	6450139871	C CHIP CERA 50V 33PF J
			C345	6450139796	C CHIP CERA 50V 120PF J
			C346	6450139871	C CHIP CERA 50V 33PF J
			C360	6450139758	C CHIP CERA 50V 0.1UF Z
			C362	6450139741	C CHIP CERA 50V 0.01UF Z
C151	6450130632	C ELECTRO 50V RSM 0.47UF	C501	6450139710	C CHIP CERA 50V 0.01UF K
C152	6450139697	C MYLAR 100V 0.012UF J	C503	6450139758	C CHIP CERA 50V 0.1UF Z
C153	6450071997	C MYLAR 100V 0.01UF J	C504	6450130618	C ELECTRO 50V RSM 10UF
C154	6450071751	C ELECTRO 50V RS 10UF	C505	6450130618	C ELECTRO 50V RSM 10UF
C155	6450071751	C ELECTRO 50V RS 10UF	C506	6450130564	C ELECTRO RSM 10V 47UF
C156	6450071751	C ELECTRO 50V RS 10UF	C507	6450130618	C ELECTRO 50V RSM 10UF
C157	6450071775	C ELECTRO 50V RS 1UF	C508	6450130625	C ELECTRO 50V RSM 1UF
C158	6450071775	C ELECTRO 50V RS 1UF	C509	6450130625	C ELECTRO 50V RSM 1UF
C159	6450071775	C ELECTRO 50V RS 1UF	C510	6450139703	C CHIP CERA 50V 1000PF K
C160	6450071843	C ELECTRO RSS 6.3V 470UF	C511	6450139758	C CHIP CERA 50V 0.1UF Z
C161	6450139710	C CHIP CERA 50V 0.01UF K	C512	6450130564	C ELECTRO RSM 10V 47UF
C162	6450139710	C CHIP CERA 50V 0.01UF K	C513	6450072024	C MYLAR 100V 0.022UF J
C163	6450130588	C ELECTRO 16V RSM 47UF	C514	6450139734	C CHIP CERA 50V 0.022UF K
C201	6450072062	C MYLAR 100V 0.047UF J	C515	6450139741	C CHIP CERA 50V 0.01UF Z
C202	6450071645	C CERA 500V B 220PF K	C516	6450139741	C CHIP CERA 50V 0.01UF Z
C203	6450071744	C ELECTRO RS 25V 47UF	C517	6450139741	C CHIP CERA 50V 0.01UF Z
C204	6450072055	C MYLAR 100V 4700PF J	C522	6450071744	C ELECTRO RS 25V 47UF
C205	6450072086	C MYLAR 100V 6800PF J	C602	6450139758	C CHIP CERA 50V 0.1UF Z
C206	6450130526	C ELECTRO RS 25V 100UF	C603	6450130564	C ELECTRO RSM 10V 47UF
C207	6450071751	C ELECTRO 50V RS 10UF	C604	6450130564	C ELECTRO RSM 10V 47UF
C208	6450071997	C MYLAR 100V 0.01UF J	C605	6450130564	C ELECTRO RSM 10V 47UF
C209	6450071768	C ELECTRO 50V RS 0.1UF	C606	6450139918	C CHIP CERA 50V CH 18PF J
C212	6450071768	C ELECTRO 50V RS 0.1UF	C607	6450139918	C CHIP CERA 50V CH 18PF J
C213	6450071737	C ELECTRO RS 25V 22UF	C608	6450139925	C CHIP CERA 50V CH 22PF J
C214	6450071997	C MYLAR 100V 0.01UF J	C609	6450139932	C CHIP CERA 50V CH 24PF J
C215	6450071737	C ELECTRO RS 25V 22UF	C612	6450130564	C ELECTRO RSM 10V 47UF
C216	6450071805	C ELECTRO 50V RS 3.3UF	C613	6450130564	C ELECTRO RSM 10V 47UF
C217	6450139901	C CHIP CERA 50V 820PF J	C614	6450072154	C CERA 50V 100PF J
C218	6450139703	C CHIP CERA 50V 1000PF K	C615	6450072154	C CERA 50V 100PF J
C219	6450071737	C ELECTRO RS 25V 22UF	C616	6450139789	C CHIP CERA 50V 100PF J
C220	6450071669	C CERA 50V F 0.01UF Z	C617	6450139789	C CHIP CERA 50V 100PF J
C221	6450071836	C ELECTRO 50V RS 4.7UF	C619	6450071744	C ELECTRO RS 25V 47UF
C222	6450072031	C MYLAR 100V 0.027UF J	C620	6450139741	C CHIP CERA 50V 0.01UF Z
C223	6450130687	C MYLAR 100V 2200PF J	C621	6450139741	C CHIP CERA 50V 0.01UF Z
C224	6450072086	C MYLAR 100V 6800PF J	C622	6450139741	C CHIP CERA 50V 0.01UF Z
C302	6450139819	C CHIP CERA 50V 180PF J	C623	6450139741	C CHIP CERA 50V 0.01UF Z
C303	6450139895	C CHIP CERA 50V 68PF J	C626	6450139741	C CHIP CERA 50V 0.01UF Z
C304	6450071775	C ELECTRO 50V RS 1UF	C627	6450139758	C CHIP CERA 50V 0.1UF Z
C305	6450139888	C CHIP CERA 50V 390PF J	C628	6450139758	C CHIP CERA 50V 0.1UF Z
C306	6450139864	C CHIP CERA 50V 3PF J	C629	6450094606	C SUPER 5.5V 0.1F(FVH- 2514)
C307	6450071751	C ELECTRO 50V RS 10UF	C630	6450139833	C CHIP CERA 50V 200PF J
C308	6450071751	C ELECTRO 50V RS 10UF	C631	6450139833	C CHIP CERA 50V 200PF J
C310	6450071775	C ELECTRO 50V RS 1UF	C632	6450139833	C CHIP CERA 50V 200PF J
C311	6450139741	C CHIP CERA 50V 0.01UF Z	C652	6450139741	C CHIP CERA 50V 0.01UF Z
C312	6450139741	C CHIP CERA 50V 0.01UF Z	C653	6450139741	C CHIP CERA 50V 0.01UF Z
C313	6450071669	C CERA 50V F 0.01UF Z	C654	6450139741	C CHIP CERA 50V 0.01UF Z
C314	6450071775	C ELECTRO 50V RS 1UF	C655	6450139741	C CHIP CERA 50V 0.01UF Z
C315	6450139758	C CHIP CERA 50V 0.1UF Z	C656	6450139741	C CHIP CERA 50V 0.01UF Z
C316	6450071775	C ELECTRO 50V RS 1UF	C657	6450139741	C CHIP CERA 50V 0.01UF Z
C317	6450071775	C ELECTRO 50V RS 1UF	C658	6450139833	C CHIP CERA 50V 200PF J
C318	6450071775	C ELECTRO 50V RS 1UF	C666	6450139741	C CHIP CERA 50V 0.01UF Z
C319	6450139765	C CHIP CERA 50V 0.022UF Z	C668	6450130519	C ELECTRO RSA 6.3V 220UF
C320	6450139772	C CHIP CERA 50V 0.047UF Z	C669	6450130519	C ELECTRO RSA 6.3V 220UF
C321	6450071713	C ELECTRO RS 10V 47UF	C680	6450139710	C CHIP CERA 50V 0.01UF K
C322	6450139741	C CHIP CERA 50V 0.01UF Z	C801	△ 6450071973	C CERA AC 2.5KV 0.01UF
C323	6450139758	C CHIP CERA 50V 0.1UF Z	OR	△ 6450130670	C CERA AC 400V 0.01UF
C324	6450071706	C ELECTRO RS 10V 100UF	C802	△ 6450130649	C CERA AC 2.5KV 100P
C325	6450071751	C ELECTRO 50V RS 10UF	OR	△ 6450130656	C CERA AC 400V 100P
C326	6450139741	C CHIP CERA 50V 0.01UF Z	C803	△ 6450130649	C CERA AC 2.5KV 100P
C327	6450139741	C CHIP CERA 50V 0.01UF Z	OR	△ 6450130656	C CERA AC 400V 100P
C328	6450139840	C CHIP CERA 50V 27PF J	C804	△ 6450071966	C CERA AC 2.5KV 3300P
C329	6450139758	C CHIP CERA 50V 0.1UF Z	OR	△ 6450130663	C CERA AC 400V 3300P
C330	6450139826	C CHIP CERA 50V 20PF J	C805	△ 6450071966	C CERA AC 2.5KV 3300P
C333	6450130625	C ELECTRO 50V RSM 1UF			
C334	6450139758	C CHIP CERA 50V 0.1UF Z			
C336	6450139727	C CHIP CERA 50V 0.1UF K			
C337	6450130533	C ELECTRO 10V RSM 10UF			

LOCATION	PARTS No.	DESCRIPTION	LOCATION	PARTS No.	DESCRIPTION
C805	6450130663	C CERA AC 400V 3300P	T201	6450074318	COIL BIAS OSC
C806	6450071935	C ELECTRO RSS 250V 100UF			
C816	6450130601	C ELECTRO RX 25V 100UF			(SEMICONDUCTORS)
C819	6450130557	C ELECTRO RX 10V 100UF	Q151	6450073649	TR KSR1004
C822	6450071669	C CERA 50V F 0.01UF Z	OR	6450131226	TR KRC104M
C827	6450071812	C ELECTRO RS 50V 47UF	Q153	6450073649	TR KSR1004
C828	6450071744	C ELECTRO RS 25V 47UF	OR	6450131226	TR KRC104M
C829	6450071843	C ELECTRO RSS 6.3V 470UF	Q154	6450073687	TR KTA1273Y
C830	6450071744	C ELECTRO RS 25V 47UF	OR	6450140402	TR KSA928A-Y
C831	6450071744	C ELECTRO RS 25V 47UF	Q155	6450073649	TR KSR1004
C832	6450071744	C ELECTRO RS 25V 47UF	OR	6450131226	TR KRC104M
C833	6450071713	C ELECTRO RS 10V 47UF	Q201	6450073717	TR KTC3202Y
CS01	6450139857	C CHIP CERA 50V 30PF J	Q202	6450073687	TR KTA1273Y
CS02	6450139826	C CHIP CERA 50V 20PF J	OR	6450140402	TR KSA928A-Y
CS03	6450071799	C ELECTRO 50V RS 0.22UF	Q203	6450073649	TR KSR1004
CS04	6450139758	C CHIP CERA 50V 0.1UF Z	OR	6450131226	TR KRC104M
CS05	6450071713	C ELECTRO RS 10V 47UF	Q204	6450073649	TR KSR1004
CS06	6450139918	C CHIP CERA 50V 18PF J	OR	6450131226	TR KRC104M
CS07	6450139802	C CHIP CERA 50V 18PF J	Q301	6450073670	TR KTA1266Y
CS08	6450139949	C CHIP CERA 50V CH 8PF D	OR	6450131240	TR KSA733C-Y
CS21	6450139680	C ELECTRO 16V RSS 220UF	Q302	6450073700	TR KTC3198Y
CS31	6450139741	C CHIP CERA 50V 0.01UF Z	OR	6450131257	TR KTC945C-Y
		(DIODES)	Q303	6450073670	TR KTA1266Y
D201	6450072468	DIODE 1N4148	OR	6450131240	TR KSA733C-Y
D202	6450072468	DIODE 1N4148	Q304	6450131233	TR 2SA1177E
D203	6450072468	DIODE 1N4148	Q305	6450073700	TR KTC3198Y
D301	6450072468	DIODE 1N4148	OR	6450131257	TR KTC945C-Y
D360	6450072468	DIODE 1N4148	Q306	6450073670	TR KTA1266Y
D602	6450072451	DIODE 1N4003	OR	6450131240	TR KSA733C-Y
D603	6450072451	DIODE 1N4003	Q307	6450073649	TR KSR1004
D606	6450130731	LED IR SIR-48IT	OR	6450131226	TR KRC104M
D801	6450072376	DIODE BRIDGE SIWBA60	Q607	6450073700	TR KTC3198Y
DZ605	6450130755	DIODE ZENER DZ 3R9B	OR	6450131257	TR KTC945C-Y
DZ607	6450072543	DIODE ZENER UZ-7.5BM	Q608	6450073670	TR KTA1266Y
DZ608	6450072383	DIODE ZENER MA 1051L	OR	6450131240	TR KSA733C-Y
OR	6450130762	DIODE ZENER UZ5.1BSB	Q808	6450073595	TR KSD2058-Y
DZ817	6450072482	DIODE ZENER MTZ-33B	OR	6450131196	TR KTD 2058-Y
DZ823	6450130748	DIODE ZENER UZ-13BL	Q809	6450073595	TR KSD2058-Y
DZ824	6450130748	DIODE ZENER UZ-13BL	OR	6450131196	TR KTD 2058-Y
DZ825	6450072512	DIODE ZENER DZ 5.6BM	Q810	6450073700	TR KTC3198Y
S601	6450131660	SENSOR REEL RPI-244	OR	6450131257	TR KTC945C-Y
S602	6450131660	SENSOR REEL RPI-244	Q811	6450073595	TR KSD2058-Y
		(INTEGRATED CIRCUIT)	OR	6450131196	TR KTD 2058-Y
IC151	6450073793	IC GD4052B	QS01	6450073670	TR KTA1266Y
OR	6450131356	IC CMOS MC14052B	OR	6450131240	TR KSA733C-Y
IC201	6450131271	IC AUDIO BA7790LS	QS02	6450073670	TR KTA1266Y
IC301	6450131318	IC VIDEO Y/C LA7423A	OR	6450131240	TR KSA733C-Y
IC302	6450131325	IC VIDEO 1H CCD LC89960	S603	6450131202	TR PHOTO RPT-38PB3F
IC601	6450131349	IC MICOM 168KF4EATS	S604	6450131202	TR PHOTO RPT-38PB3F
IC602	6450131264	IC BA6209			(RESISTORS)
OR	6450131288	IC KA8301	R151	6450139987	R CHIP 1/10 100K OHM J
IC606	6450095016	IC COMPARATOR(RESET) MN1380-L	R152	6450139987	R CHIP 1/10 100K OHM J
ICS01	6450073885	IC OSD 168K88E6ML	R153	6450139987	R CHIP 1/10 100K OHM J
		(JACK)	R154	6450139987	R CHIP 1/10 100K OHM J
J151	6450075261	JACK PIN	R155	6450139987	R CHIP 1/10 100K OHM J
		(INDUCTORS)	R156	6450073052	R CARBON FILM 1/6 24K OHM J
L151	6450095122	COIL PEAKING 10UH K	R157	6450073052	R CARBON FILM 1/6 24K OHM J
L152	6450073953	COIL PEAKING 10UH J	R158	6450139987	R CHIP 1/10 100K OHM J
L201	6450131370	COIL PEAKING 470UH J	R159	6450139987	R CHIP 1/10 100K OHM J
L202	6450074301	COIL PEAKING 22MH J	R160	6450139987	R CHIP 1/10 100K OHM J
L303	6450074080	COIL PEAKING 82UH J	R161	6450139987	R CHIP 1/10 100K OHM J
L304	6450131387	COIL PEAKING 68UH J	R162	6450139970	R CHIP 1/10 10K OHM J
L306	6450073953	COIL PEAKING 10UH J	R163	6450139970	R CHIP 1/10 10K OHM J
L310	6450074028	COIL PEAKING 33UH J	R164	6450072819	R CARBON FILM 1/6 1K OHM J
L601	6450131400	COIL BEAD BI3857	R165	6450072871	R CARBON FILM 1/6 1.2K OHM J
L602	6450131400	COIL BEAD BI3857	R166	6450073076	R CARBON FILM 1/6 2.7K OHM J
L603	6450131400	COIL BEAD BI3857	R167	6450131103	R CARBON FILM 1/6 150K OHM J
L604	6450131400	COIL BEAD BI3857	R168	6450139987	R CHIP 1/10 100K OHM J
L605	6450131400	COIL BEAD BI3857	R169	6450140242	R CHIP 1/10 47K OHM J
L606	6450131400	COIL BEAD BI3857	R170	6450140297	R CHIP 1/10 75 OHM J
L801	6450131424	FILTER LINE 40MHZ	R171	6450140297	R CHIP 1/10 75 OHM J
L803	6450131486	COIL CHOKE 22UH K	R172	6450072826	R CARBON FILM 1/6 10K OHM J
L804	6450131486	COIL CHOKE 22UH K	R173	6450072987	R CARBON FILM 1/6 2K OHM J
LS01	6450073991	COIL PEAKING 15UH J	R174	6450072826	R CARBON FILM 1/6 10K OHM J
LS02	6450074073	COIL PEAKING 0.68UH M	R202	6450140006	R CHIP 1/10 120 OHM J
LS03	6450073953	COIL PEAKING 10UH J	R203	6450140327	R CHIP 1/10 8.2K OHM J
			R204	6450140181	R CHIP 1/10 330K OHM J
			R205	6450140358	R CHIP 1/10 9.1K OHM J
			R206	6450140105	R CHIP 1/10 2.7K OHM J

LOCATION	PARTS No.	DESCRIPTION	LOCATION	PARTS No.	DESCRIPTION
R207	6450140235	R CHIP 1/10 4.7K OHM J	R619	6450139963	R CHIP 1/10 1K OHM J
R208	6450139994	R CHIP 1/10 1M OHM J	R620	6450072826	R CARBON FILM 1/6 10K OHM J
R209	6450140242	R CHIP 1/10 47K OHM J	R621	6450140129	R CHIP 1/10 270K OHM J
R210	6450140358	R CHIP 1/10 9.1K OHM J	R622	6450139963	R CHIP 1/10 1K OHM J
R211	6450072833	R CARBON FILM 1/6 100K OHM J	R623	6450139987	R CHIP 1/10 100K OHM J
R214	6450073229	R CARBON FILM 1/6 470 OHM J	R624	6450131134	R CARBON FILM 1/4 10M OHM J
R215	6450094958	R CARBON FILM 1/6 820 OHM J	R625	6450139994	R CHIP 1/10 1M OHM J
R216	6450140235	R CHIP 1/10 4.7K OHM J	R626	6450140259	R CHIP 1/10 510 OHM J
R217	6450139970	R CHIP 1/10 10K OHM J	R627	6450072918	R CARBON FILM 1/6 150 OHM J
R218	6450139970	R CHIP 1/10 10K OHM J	R629	6450139963	R CHIP 1/10 1K OHM J
R219	6450140037	R CHIP 1/10 15K OHM J	R630	6450139963	R CHIP 1/10 1K OHM J
R220	6450139963	R CHIP 1/10 1K OHM J	R631	6450072819	R CARBON FILM 1/6 1K OHM J
R221	6450140150	R CHIP 1/10 330 OHM J	R632	6450072819	R CARBON FILM 1/6 1K OHM J
R222	6450073052	R CARBON FILM 1/6 24K OHM J	R633	6450072819	R CARBON FILM 1/6 1K OHM J
R223	6450140075	R CHIP 1/10 20K OHM J	R634	6450073106	R CARBON FILM 1/6 30K OHM J
R224	6450140044	R CHIP 1/10 1.6K OHM J	R635	6450072819	R CARBON FILM 1/6 1K OHM J
R225	6450140273	R CHIP 1/10 5.6K OHM J	R636	6450072970	R CARBON FILM 1/6 200 OHM J
R226	6450073021	R CARBON FILM 1/6 22K OHM J	R637	6450131110	R CARBON FILM 1/6 27K OHM J
R227	6450140174	R CHIP 1/10 33K OHM J	R638	6450140068	R CHIP 1/10 200 OHM J
R228	6450139963	R CHIP 1/10 1K OHM J	R639	6450140112	R CHIP 1/10 27K OHM J
R229	6450073281	R CARBON FILM 1/6 5.1 OHM J	R641	6450140167	R CHIP 1/10 3.3K OHM J
R230	6450140204	R CHIP 1/10 3.9K OHM J	R642	6450094965	R M-OXIDE FILM 2W 3.9 OHM J
R231	6450140273	R CHIP 1/10 5.6K OHM J	R643	6450073243	R CARBON FILM 1/6 47K OHM J
R234	6450073267	R CARBON FILM 1/6 510 OHM J	R644	6450072819	R CARBON FILM 1/6 1K OHM J
R301	6450140013	R CHIP 1/10 1.3K OHM J	R645	6450072802	R CARBON FILM 1/6 100 OHM J
R302	6450140235	R CHIP 1/10 4.7K OHM J	R646	6450140129	R CHIP 1/10 270K OHM J
R303	6450073014	R CARBON FILM 1/6 2.2K OHM J	R647	6450139970	R CHIP 1/10 10K OHM J
R304	6450140280	R CHIP 1/10 620 OHM J	R648	6450072802	R CARBON FILM 1/6 100 OHM J
R305	6450140105	R CHIP 1/10 2.7K OHM J	R649	6450140235	R CHIP 1/10 4.7K OHM J
R307	6450140327	R CHIP 1/10 8.2K OHM J	R652	6450140235	R CHIP 1/10 4.7K OHM J
R308	6450140051	R CHIP 1/10 1.8K OHM J	R653	6450139970	R CHIP 1/10 10K OHM J
R309	6450140082	R CHIP 1/10 2.2K OHM J	R655	6450072918	R CARBON FILM 1/6 150 OHM J
R310	6450140051	R CHIP 1/10 1.8K OHM J	R656	6450139956	R CHIP 1/10 100 OHM J
R311	6450140211	R CHIP 1/10 430 OHM J	R670	6450072826	R CARBON FILM 1/6 10K OHM J
R312	6450140211	R CHIP 1/10 430 OHM J	R671	6450072819	R CARBON FILM 1/6 1K OHM J
R315	6450140020	R CHIP 1/10 1.5K OHM J	R801	6450073458	R CARBON FILM 1/2 3.3M OHM J
R316	6450139963	R CHIP 1/10 1K OHM J	R820	6450073076	R CARBON FILM 1/6 2.7K OHM J
R318	6450139963	R CHIP 1/10 1K OHM J	R824	6450131141	R CARBON FILM 1/4 12K OHM J
R319	6450140273	R CHIP 1/10 5.6K OHM J	R826	6450073472	R CARBON FILM 1/4 6.2K OHM J
R320	6450140204	R CHIP 1/10 3.9K OHM J	R827	6450131141	R CARBON FILM 1/4 12K OHM J
R322	6450140334	R CHIP 1/10 82K OHM J	R829	6450072826	R CARBON FILM 1/6 10K OHM J
R323	6450139963	R CHIP 1/10 1K OHM J	R830	6450140266	R CHIP 1/10 5.1 OHM J
R326	6450139963	R CHIP 1/10 1K OHM J	R831	6450073267	R CARBON FILM 1/6 510 OHM J
R327	6450140198	R CHIP 1/10 390 OHM J	R832	6450131127	R CARBON FILM 1/6 30 OHM J
R328	6450140020	R CHIP 1/10 1.5K OHM J	RS01	6450131158	R CARBON FILM 1/4 390 OHM J
R329	6450140228	R CHIP 1/10 470 OHM J	RS02	6450140303	R CHIP 1/10 75K OHM J
R330	6450140228	R CHIP 1/10 470 OHM J	RS03	6450140143	R CHIP 1/10 30K OHM J
R331	6450140228	R CHIP 1/10 470 OHM J	RS04	6450140136	R CHIP 1/10 3K OHM J
R332	6450072833	R CARBON FILM 1/6 100K OHM J	RS09	6450139956	R CHIP 1/10 100 OHM J
R333	6450140396	R CARBON FILM 1/6 75K OHM J			
R350	6450140235	R CHIP 1/10 4.7K OHM J			(VARIABLE RESISTORS)
R501	6450140136	R CHIP 1/10 3K OHM J	R292	6450131189	R SEMI FIXED H200K(BIAS)
R502	6450073007	R CARBON FILM 1/6 220 OHM J	R494	6450131172	R SEMI FIXED H2K(COMB G)
R504	6450139970	R CHIP 1/10 10K OHM J	R595	6450131165	R SEMI FIXED H100K(SW P)
R505	6450140112	R CHIP 1/10 27K OHM J			(SWITCHES)
R506	6450072826	R CARBON FILM 1/6 10K OHM J	SW151	6450131448	SW SLIDE
R507	6450140235	R CHIP 1/10 4.7K OHM J	SW601	6450131455	SW REC SAFETY
R508	6450072949	R CARBON FILM 1/6 1.8K OHM G			(CRYSTAL DEVICES)
R509	6450072949	R CARBON FILM 1/6 1.8K OHM G	X301	6450074219	CRYSTAL QUARTZ 3.579545MHZ
R510	6450072826	R CARBON FILM 1/6 10K OHM J	X601	6450140440	CRYSTAL QUARTZ 16.000000MHZ
R511	6450140167	R CHIP 1/10 3.3K OHM J	X602	6450074233	CRYSTAL QUARTZ 32.768000KHZ
R512	6450140037	R CHIP 1/10 15K OHM J	XS01	6450074202	CRYSTAL QUARTZ 14.318180MHZ
R513	6450139970	R CHIP 1/10 10K OHM J			(TUNER/IF/RF CONVERTER)
R514	6450073243	R CARBON FILM 1/6 47K OHM J		6450132339	TUNER 3 IN 1
R515	6450139970	R CHIP 1/10 10K OHM J			(SWITCHING MODULE, POWER)
R516	6450073243	R CARBON FILM 1/6 47K OHM J		6450131608	PCB SMPS SUB AS
R517	6450072819	R CARBON FILM 1/6 1K OHM J			(PREAMP UNIT)
R518	6450073250	R CARBON FILM 1/6 470K OHM J		6450131097	PCB PREAMP AS(N.S.P.)
R519	6450072826	R CARBON FILM 1/6 10K OHM J			(MISCELLANEOUS)
R520	6450072826	R CARBON FILM 1/6 10K OHM J		6450140518	BOARD ANT
R521	6450131110	R CARBON FILM 1/6 27K OHM J		6450074455	SCREW TT2 FLT 3X8 MFXN BK
R522	6450139970	R CHIP 1/10 10K OHM J		6450132001	HOLDER LED SENSOR
R523	6450140242	R CHIP 1/10 47K OHM J		6450131981	HOLDER REEL SENSOR(S601,S602)
R524	6450140242	R CHIP 1/10 47K OHM J		6450131998	HOLDER TAPE SENSOR(S603,S604)
R525	6450072819	R CARBON FILM 1/6 1K OHM J		6450075049	CLIP FUSE
R603	6450140242	R CHIP 1/10 47K OHM J		6450075049	CLIP FUSE
R604	6450139963	R CHIP 1/10 1K OHM J			
R608	6450139970	R CHIP 1/10 10K OHM J			
R611	6450139970	R CHIP 1/10 10K OHM J			
R612	6450139970	R CHIP 1/10 10K OHM J			
R613	6450139970	R CHIP 1/10 10K OHM J			
R614	6450139970	R CHIP 1/10 10K OHM J			

LOCATION PARTS No. DESCRIPTION

PCB PREAMP AS (N.S.P.)

COMPL No. 6450131097

CA04	6450139741	(CAPACITORS)
CA05	6450139741	C CHIP CERA 50V 0.01UF Z
CA06	6450139741	C CHIP CERA 50V 0.01UF Z
CA07	6450139741	C CHIP CERA 50V 0.01UF Z
CA09	6450139727	C CHIP CERA 50V 0.1UF X
CA12	6450094644	C CERA 50V SL 56PF J
CA13	6450139727	C CHIP CERA 50V 0.1UF X
CA14	6450139840	C CHIP CERA 50V 27PF J
CA15	6450130700	C CERA 50V 10PF J
CA18	6450139901	C CHIP CERA 50V 820PF J
CA19	6450130625	C ELECTRO 50V RSM 1UF
CA20	6450139741	C CHIP CERA 0.01UF Z
CA21	6450139727	C CHIP CERA 0.1UF X
CA22	6450130519	C ELECTRO RSA 6.3V 220UF
CA23	6450130717	C CERA SL 50V 120PF J

(INTEGRATED CIRCUIT)

ICA01 6450131301 IC PREAMP LA7411

(INDUCTORS)

LA01	6450073991	COIL PEAKING 15UH J
LA02	6450131387	COIL PEAKING 68UH J
LA03	6450073953	COIL PEAKING PL 10UH J

(RESISTORS)

JA01	6450140365	R CHIP 1/8W 0 OHM
RA01	6450140099	R CHIP 1/10 22K OHM J
RA03	6450140341	R CHIP 1/10 910 OHM J
RA04	6450140310	R CHIP 1/10 82 OHM J
RA05	6450140020	R CHIP 1/10 1.5K OHM J
RA09	6450140044	R CHIP 1/10 1.6K OHM J

PCB LOGIC AS(N.S.P.)

COMPL No. 6450130885 (FVH - 2512, FVH - 2514)

COMPL No. 6450130892 (VHR - 5218, VHR - 5220)

(CAPACITORS)

C701	6450102202	C CERA 50V 0.1UF
C702	6450130502	C CERA SEMI 16V 0.01UF M
C703	6450102202	C CERA 50V 0.1UF Z
C705	6450071706	C ELECTRO RS 10V 100UF

(DIODES)

D701	6450072468	DIODE 1N4148
D702	6450072468	DIODE 1N4148
D703	6450072468	DIODE 1N4148
D704	6450072468	DIODE 1N4148

(DISPLAYS)

G701	6450072550	DIGITRON (V.F.D)
OR	6450130724	DIGITRON (V.F.D)

H701 6450073786 (IR RECEIVER)
IC UNIT IR/RECEIVER

(INTEGRATED CIRCUITS)

IC701	6450131332	IC DRIVER M34240M2-011SP
IC702	6450131295	IC SWITCH KIA7042P

LOCATION PARTS No.

DESCRIPTION

(RESISTORS)		
R701	6450072840	R CARBON FILM 1/6 1M OHM J
R702	6450073243	R CARBON FILM 1/6 47K OHM J
R703	6450073243	R CARBON FILM 1/6 47K OHM J
R704	6450073243	R CARBON FILM 1/6 47K OHM J
R705	6450073243	R CARBON FILM 1/6 47K OHM J
R706	6450072802	R CARBON FILM 1/6 100 OHM J
R707	6450072802	R CARBON FILM 1/6 100 OHM J
R708	6450072802	R CARBON FILM 1/6 100 OHM J
R709	6450072802	R CARBON FILM 1/6 100 OHM J
R710	6450072819	R CARBON FILM 1/6 1K OHM J
R711	6450072826	R CARBON FILM 1/6 10K OHM J
R712	6450072833	R CARBON FILM 1/6 100K OHM J
R713	6450072833	R CARBON FILM 1/6 100K OHM J
R714	6450072826	R CARBON FILM 1/6 10K OHM J

(SWITCHES)		
S701	6450140433	SW TACT POWER
S702	6450140433	SW TACT STOP/EJECT
S703	6450140433	SW TACT REW
S704	6450140433	SW TACT FF
S705	6450140433	SW TACT PLAY
S706	6450140433	SW TACT REC/OTR
S707	6450140433	SW TACT CH-UP
S708	6450140433	SW TACT CH-DOWN
S709	6450140433	SW TACT PAUSE/STILL

X701 6450131417 **(RESONATOR)**
RESONATOR CERA 2.5MHZ

6450074967 **(MISCELLANEOUS)**
HOLDER DIGITRON

ACCESSORY PARTS

OR	6450132476	MANUAL OWNERS (FVH - 2512)
OR	6450132483	MANUAL OWNERS (FVH - 2514 CANADA)
OR	6450132438	MANUAL OWNERS (FVH - 2514 U.S.A.)
OR	6450132469	MANUAL OWNERS (VHR - 5218 CANADA)
OR	6450132445	MANUAL OWNERS (VHR - 5218 U.S.A.)
OR	6450132452	MANUAL OWNERS (VHR - 5220)
	6450078866	CABLE RF
	6450131806	REMOCON HANDSET AS (FVH - 2512)
OR	6450131813	REMOCON HANDSET AS (FVH - 2514)
OR	6450140549	REMOCON HANDSET AS (VHR - 5218)
OR	6450131820	REMOCON HANDSET AS (VHR - 5220)
	6450140617	LABEL REMOCON (FVH - 2512, FVH - 2514)
	6131633933	COVER BATTERY FOR REMOCON HPC (FVH - 2512, FVH - 2514, VHR - 5220)
OR	6450142178	COVER BATTERY FOR REMOCON (VHR - 5218)

PACKING MATERIAL PARTS

1	6450075070	POLY BAG FOR SET
2	6450140587	PAD TOP/BOTTOM
3	6450132148	BOX CARTON (FVH - 2512)
OR	6450132155	BOX CARTON (FVH - 2514 CANADA)
OR	6450132100	BOX CARTON (FVH - 2514 U.S.A.)
OR	6450132131	BOX CARTON (VHR - 5218 CANADA)
OR	6450132117	BOX CARTON (VHR - 5218 U.S.A.)
OR	6450132124	BOX CARTON (VHR - 5220)