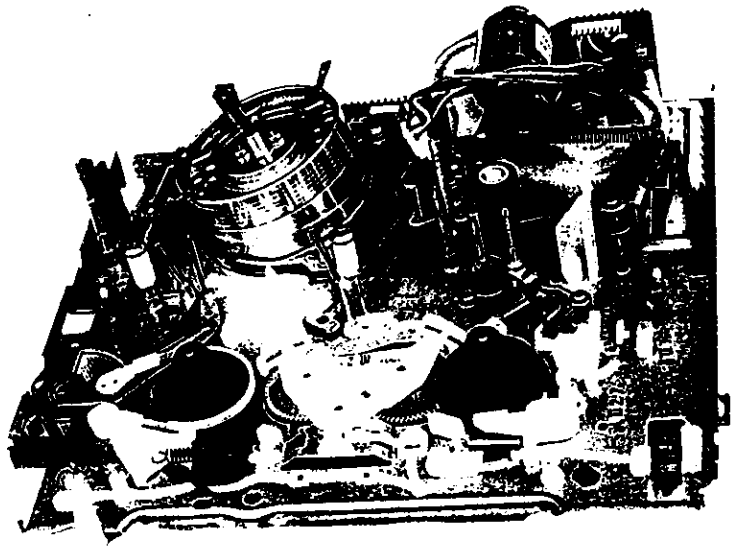


TECHNICAL SERVICE GUIDE

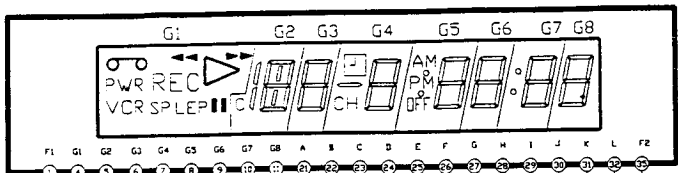
VCR MECHANISM UNIT
(FM-MECHA)

MVC 646 / 625



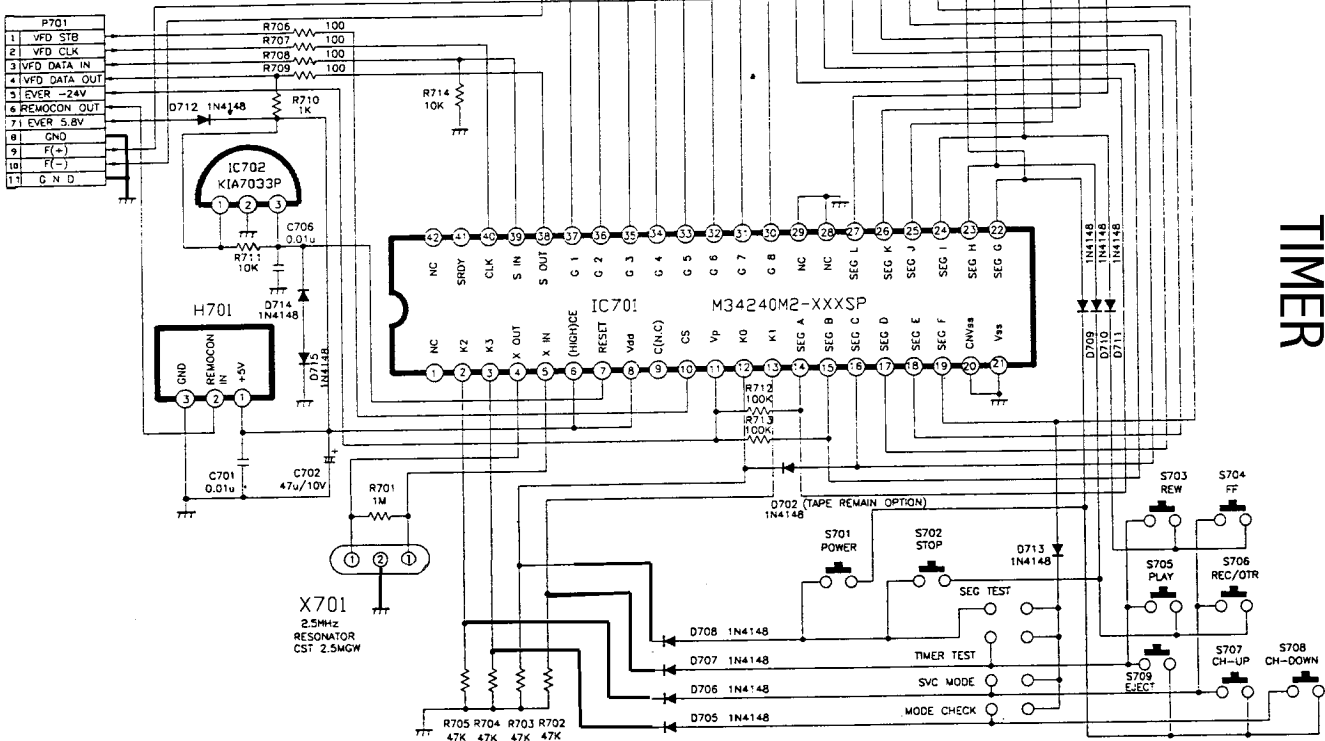
MAGNASONIC

G701
8MT-88GK



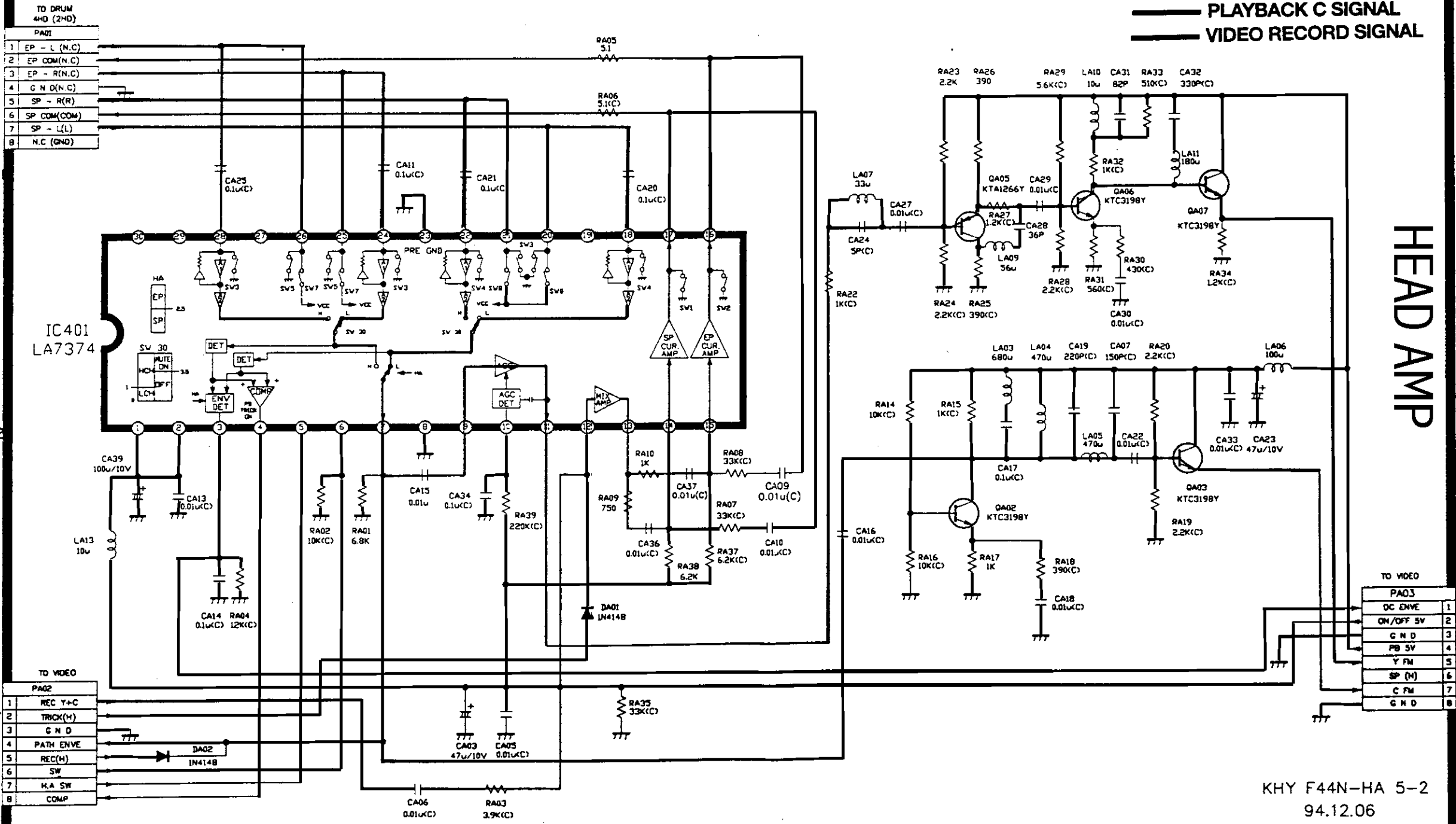
TIMER

P701	
1	VFD STB
2	VFD CLK
3	VFD DATA IN
4	VFD DATA OUT
5	EVER -24V
6	REMOCON OUT
7	EVER 5.8V
8	GND
9	F(+)
10	F(-)
11	GND



——— PLAYBACK Y SKTNL
 ——— PLAYBACK C SIGNAL
 ——— VIDEO RECORD SIGNAL

HEAD AMP



TO DRUM 4HD (2HD)

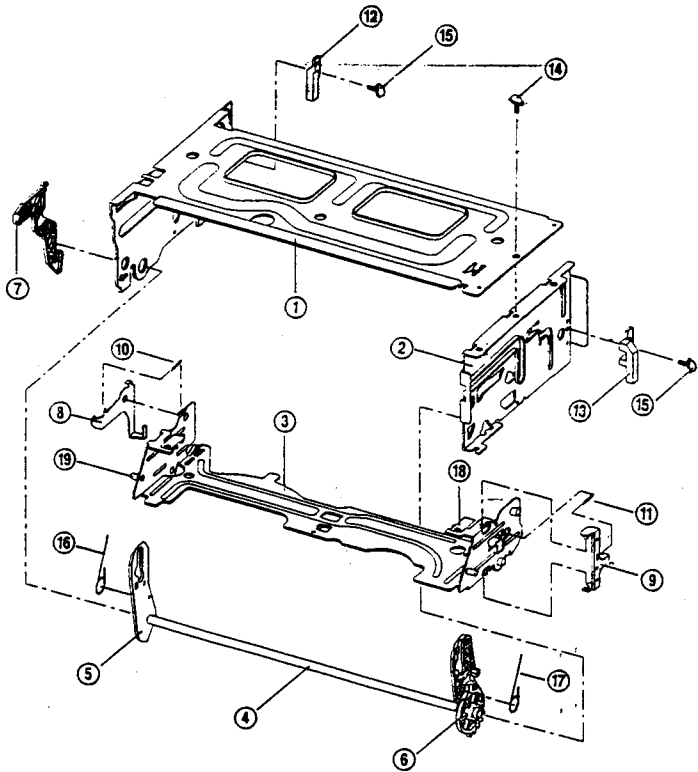
PA01	
1	EP - L (N.C)
2	EP COM(N.C)
3	EP - R(N.C)
4	GND(N.C)
5	SP - R(R)
6	SP COM(COM)
7	SP - L(L)
8	N.C (GND)

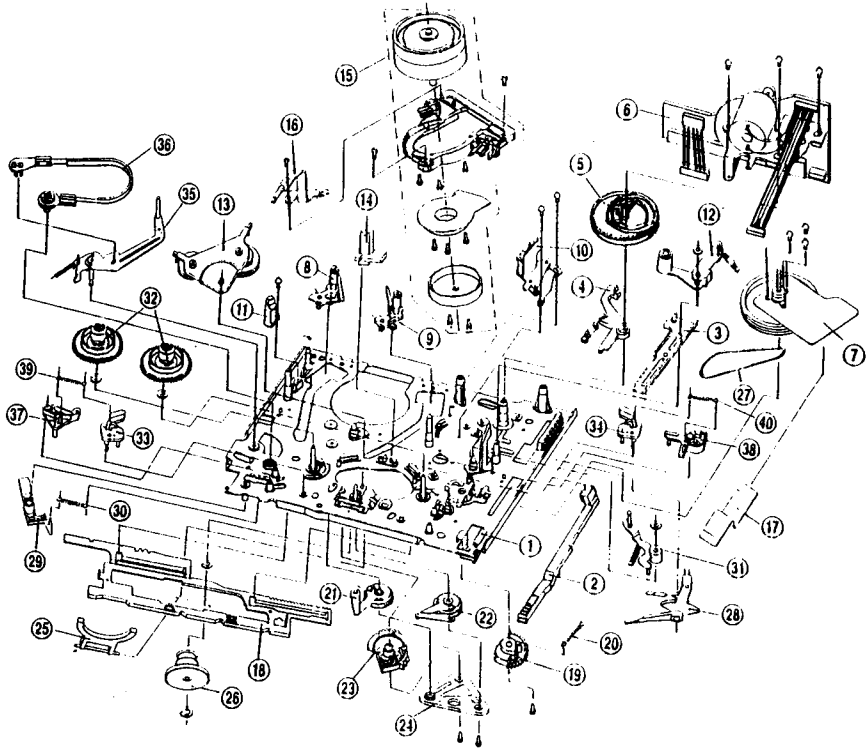
TO VIDEO

PA02	
1	REC Y+C
2	TRICK(H)
3	GND
4	PATH ENVE
5	REC(H)
6	SW
7	H.A SW
8	COMP

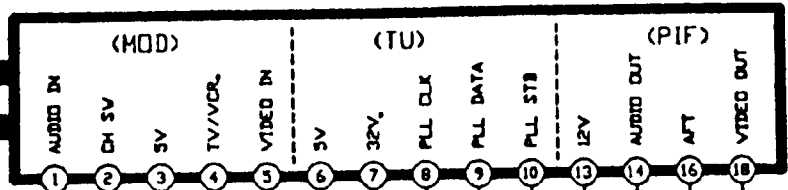
TO VIDEO

PA03	
1	DC ENVE
2	ON/OFF 5V
3	GND
4	PB 5V
5	Y FM
6	SP (H)
7	C FM
8	GND





RF101



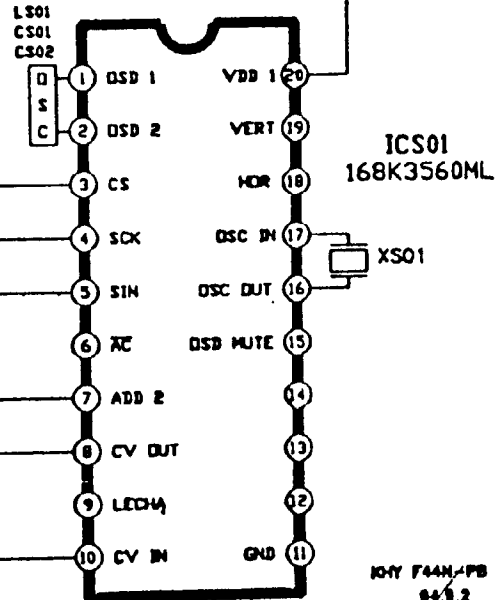
RF CONV. AUDIO IN

TO SERVO/SYSCON {
 CLOCK
 DATA
 PLL STB
 OSD STB
 DN/OFF 5V
 DN/OFF 12V
 EVER 32V
 TU DN/OFF
 TV/VCR
 AFT

RF CONV. VIDEO IN

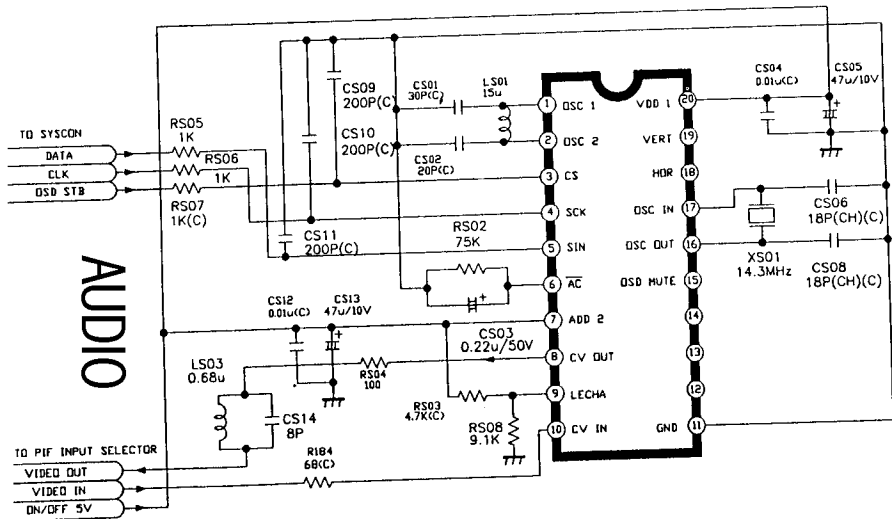
TUNER VIDEO OUT
 TUNER AUDIO OUT

TO VIDEO {
 OSD VIDEO OUT
 OSD VIDEO IN



ICS01
 168K3560ML

ICS01
168K88E.6ML (ENGLISH, SPANISH, FRENCH)



4. PARTS LIST OF F/L ASS'Y

NO	STOCK NO.	PART NAME	Q'TY	REMARKS
1	97S2400500	TOP PLATE	1 EA	
2	97S2400400	F/L BRKT R.	1 EA	
3	97S0900700	CST HOLDER PLATE	1 EA	
4	97S3600200	LOADING SHAFT	1 EA	
5	97S2601800	LOADING LEVER L	1 EA	
6	97S2601600	LOADING LEVER R	1 EA	
7	97S1800400	DOOR OPENER	1 EA	
8	97S2601500	SAFETY LEVER	1 EA	
9	97S2602400	RELEASE LEVER	1 EA	
10	97S3001800	SAFETY SPRING	1 EA	
11	97S3001700	RELEASE SPRING	1 EA	
12	97S2602200	PRISM LINK L	1 EA	
13	97S2602100	PRISM LIMK R	1 EA	
14	7274260611	TAPTITE SCREW (TT3 WAS 3x6 MFZN)	1 EA	
15	7278300611	TAPTITE SCREW (TT3 WAS 3x6 MFZN)	2 EA	
16	97S3002100	LEVER L SPRING	1 EA	
17	97S3002000	LEVER R SPRING	1 EA	
18	97S3001500	UPPER SPRING	2 EA	
19	97S3502200	HOLDER POST	1 EA	

NO.	STOCK NO.	PART NAME	Q'TY	REMARKS
29	97S2600800	REC SAFETY LEVER	1 EA	
30	97S3000900	REC SAFETY SPRING	1 EA	
31	97SA301900	REVIEW ARM AS	1 EA	
32	97S2900200	REEL TABLE	2 EA	
33	97SA301500	S MAIN BRAKE AS	1 EA	
34	97SA301700	T MAIN BRAKE AS	1 EA	
35	97SA301800	TENSION LEVER AS	1 EA	
36	97SA302400	BAND BRAKE TOTAL AS	1 EA	
37	97S5700100	S SUB BRAKE	1 EA	
38	97SA301600	T SUB BRAKE AS	1 EA	
39	97S3002200	S BRAKE SPRING	1 EA	
40	97S3002300	T BRAKE SPRING	1 EA	

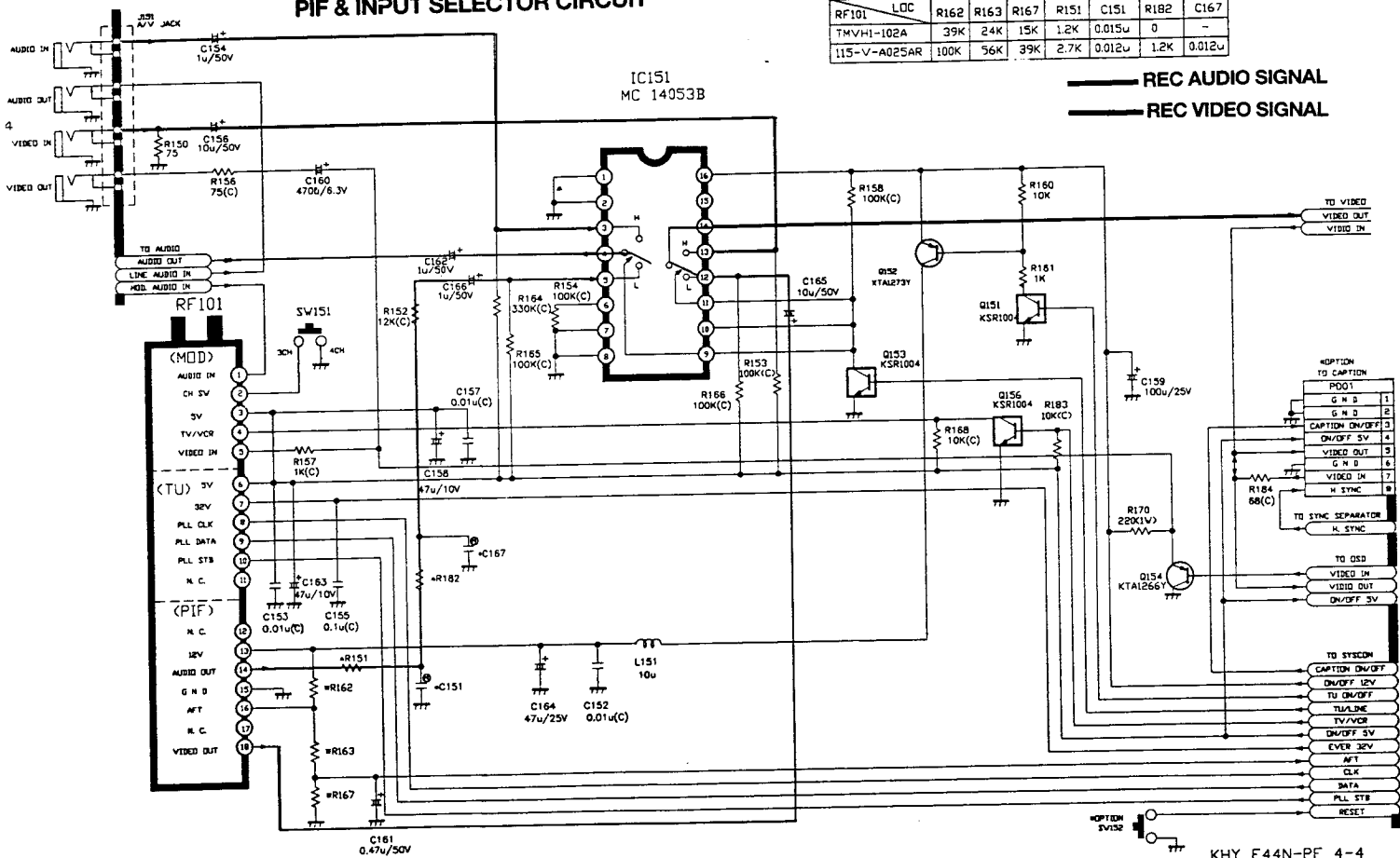
2. PARTS LIST OF DECK ASS'Y

NO	STOCK NO.	PART NAME	Q'TY	REMARKS
1	97SA300400	MAIN BASE AS	1 EA	
2	97S2700100	F/L DRIVE RACK	1 EA	
3	97SA300500	RELAY PLATE AS	1 EA	
4	97SA304700	RETURN LEVER AS	1 EA	
5	97S2700200	CAM GEAR	1 EA	
6	97SA300700	L/C BRKT AS	1 EA	
7	97S8100100	CAPSTAN MOTOR	1 EA	47S8100200
8	97SA300800	S SLANT POLE AS	1 EA	
9	97SA300900	T SLANT POLE AS	1 EA	
10	97SA302000	A/C HEAD TOT AS	1 EA	
11	97S8000600	FE HEAD	1 EA	
12	97SA300600	PINCH LEVER TOT AS	1 EA	97SA431000
13	97SA301400	IDLER PLATE AS	1 EA	
14	97S2601300	LED PRISM LINK	1 EA	
15	97SA245800	DRUM TOTAL AS	1 EA	NTSC 2H'D
	97SA247000	DRUM TOTAL AS	1 EA	NTSC 4H'D
	97SA246000	DRUM TOTAL AS	1 EA	PAL 2H'D SP
	97SA246200	DRUM TOTAL AS	1 EA	PAL 2H'D LP
	97SA247200	DRUM TOTAL AS	1 EA	PAL 4H'D
	97SA246200	DRUM TOTAL AS	1 EA	SECAM 2H'D
	97SA249600	DRUM TOTAL AS	1 EA	SECAM 4H'D
16	97SA302100	EARTH BRKT AS	1 EA	
17	97P88F0908	CABLE FFC AS	1 EA	
18	97S0900200	MAIN PLATE	1 EA	
19	97S2700600	RELAY GEAR	1 EA	
20	97S3002400	RELAY SPRING	1 EA	
21	97SA301000	L LOADING GEAR AS	1 EA	
22	97SA301100	R LOADING GEAR AS	1 EA	
23	97S2700700	LOAD RELAY GEAR	1 EA	
24	97S0900300	LOADING GUIDE PLATE	1 EA	
25	97S2600700	CLUTCH LEVER	1 EA	
26	97SA301200	REEL DRIVE TOTAL AS	1 EA	
27	97S3300200	REEL BELT	1 EA	
28	97SA301300	CAPSTAN BRAKE AS	1 EA	4H'D ONLY

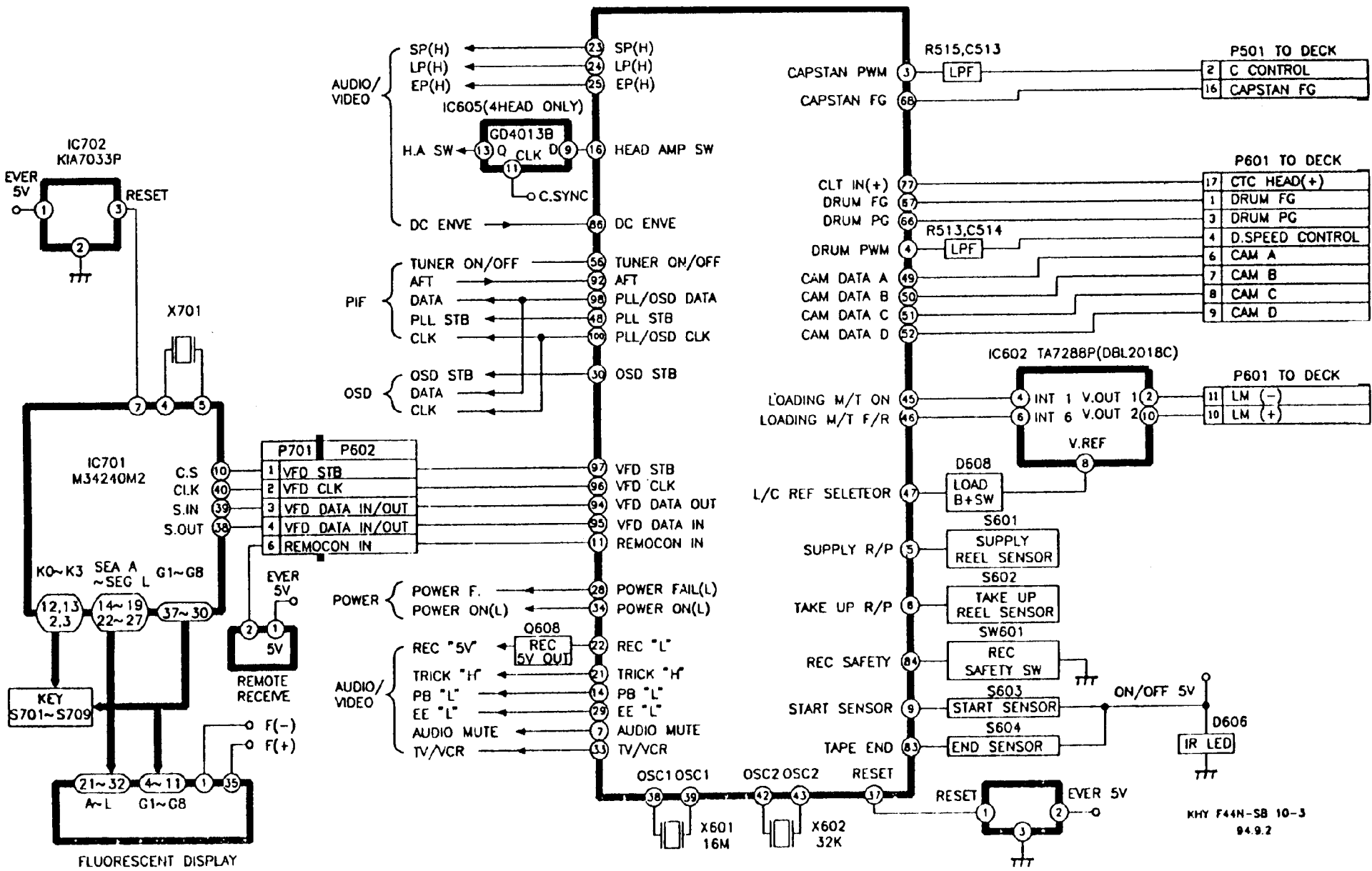
PIF & INPUT SELECTOR CIRCUIT

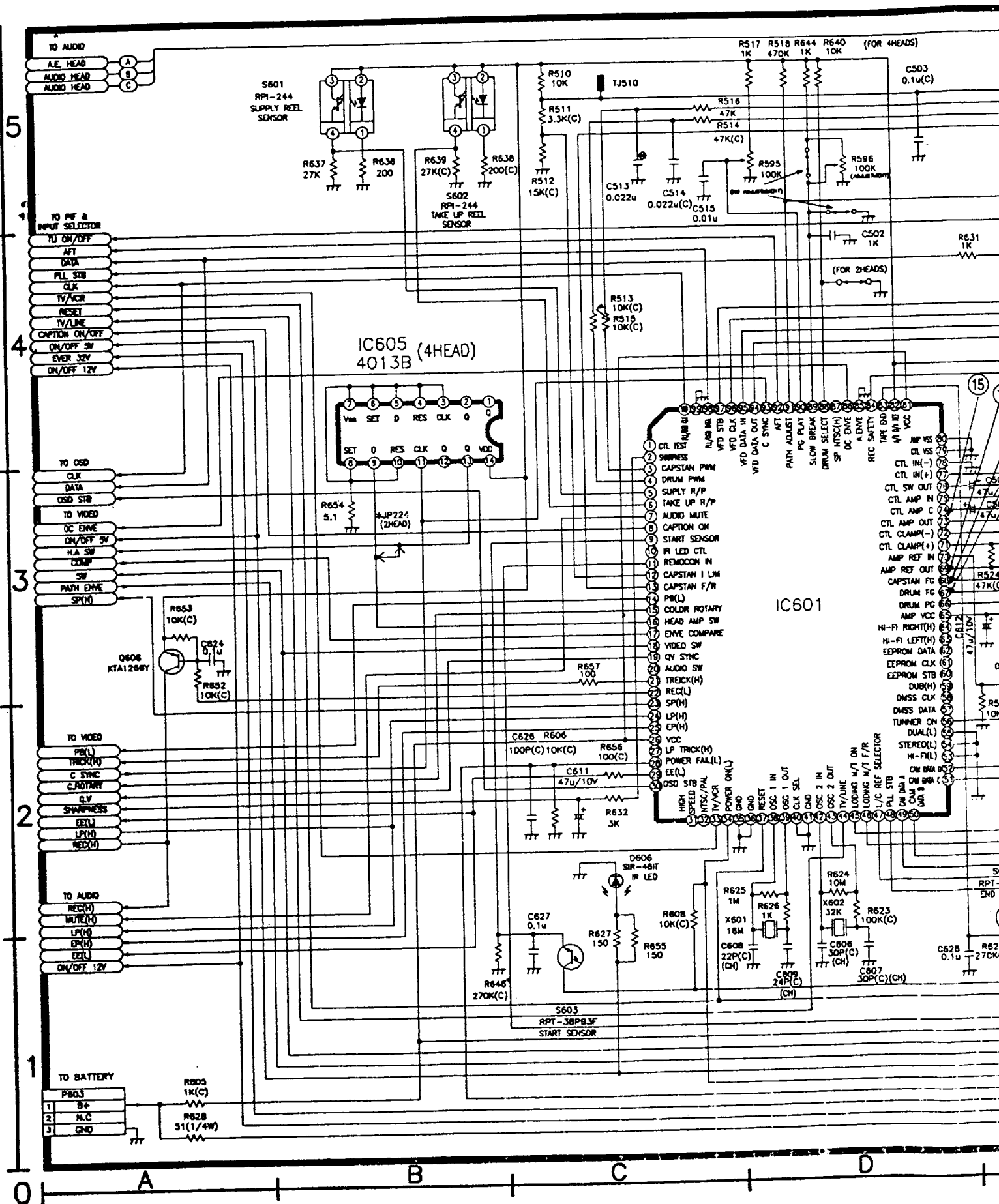
TUNER OPTION

RF101	LOC	R162	R163	R167	R151	C151	R182	C167
TMVHI-102A		39K	24K	15K	1.2K	0.015 μ	0	-
115-V-A025AR		100K	96K	39K	2.7K	0.012 μ	1.2K	0.012 μ



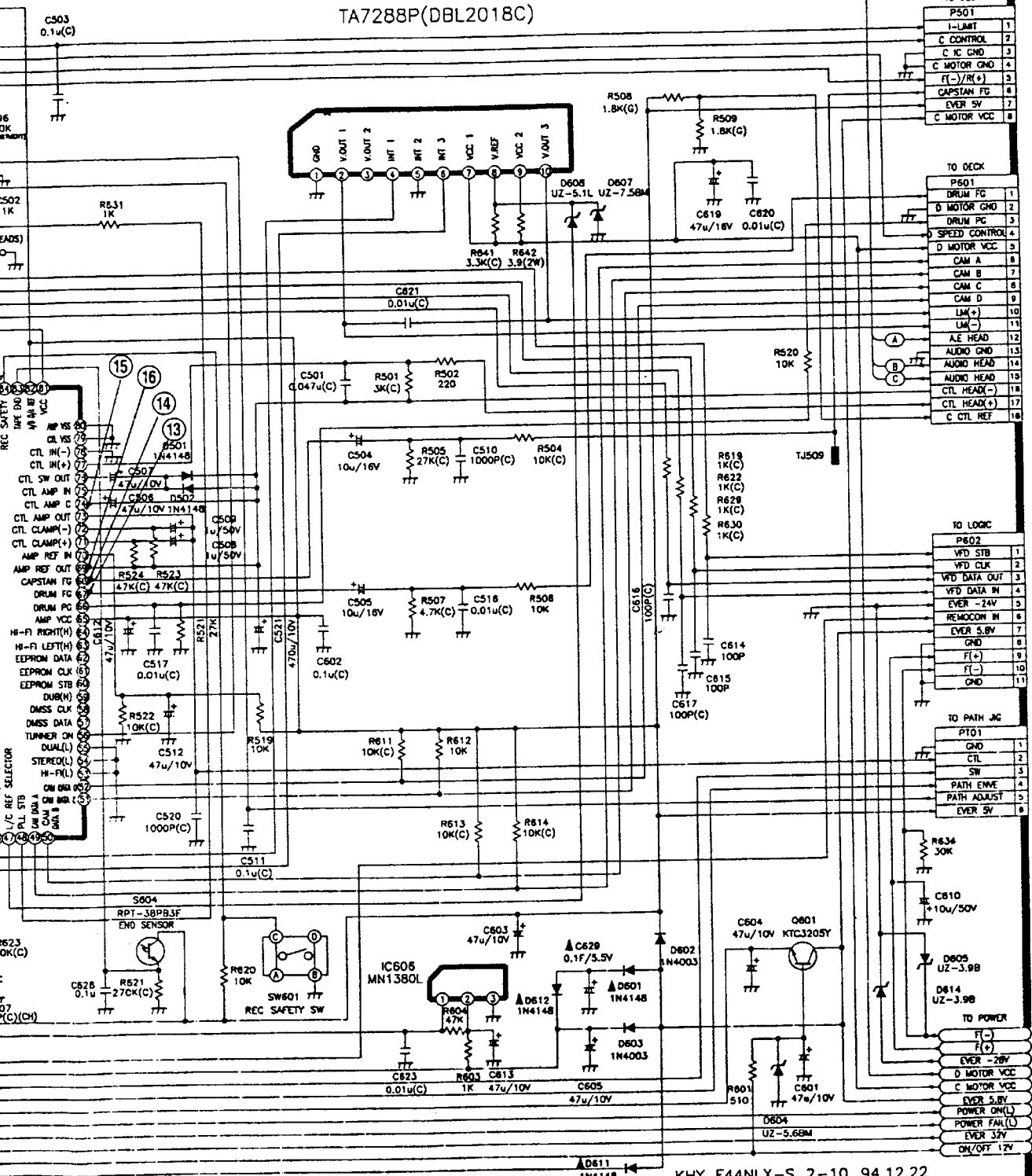
REC AUDIO SIGNAL
 REC VIDEO SIGNAL





(FOR 4HEADS)

IC602 TA7288P(DBL2018C)



TO DECK

P501	1
I-LIMIT	1
C CONTROL	2
C IC GND	3
C MOTOR GND	4
F(-)/R(+)	5
CAPSTAN FG	6
EVER 5V	7
C MOTOR VCC	8

TO DECK

P501	1
DRUM FG	1
D MOTOR GND	2
DRUM PG	3
D SPEED CONTROL	4
D MOTOR VCC	5
CAM A	6
CAM B	7
CAM C	8
CAM D	9
LM(+)	10
LM(-)	11
A/E HEAD	12
AUDIO GND	13
AUDIO HEAD	14
AUDIO HEAD	15
CTL HEAD(-)	16
CTL HEAD(+)	17
C CTL REF	18

TO LOGIC

P602	1
VFD STB	1
VFD CLK	2
VFD DATA OUT	3
VFD DATA IN	4
EVER -24V	5
REMOCON IN	6
EVER 5.6V	7
GND	8
F(+)	9
F(-)	10
GND	11

TO PATH JG

PT01	1
GND	1
CTL	2
SW	3
PATH EMV	4
PATH ADJUST	5
EVER 5V	6

TO POWER

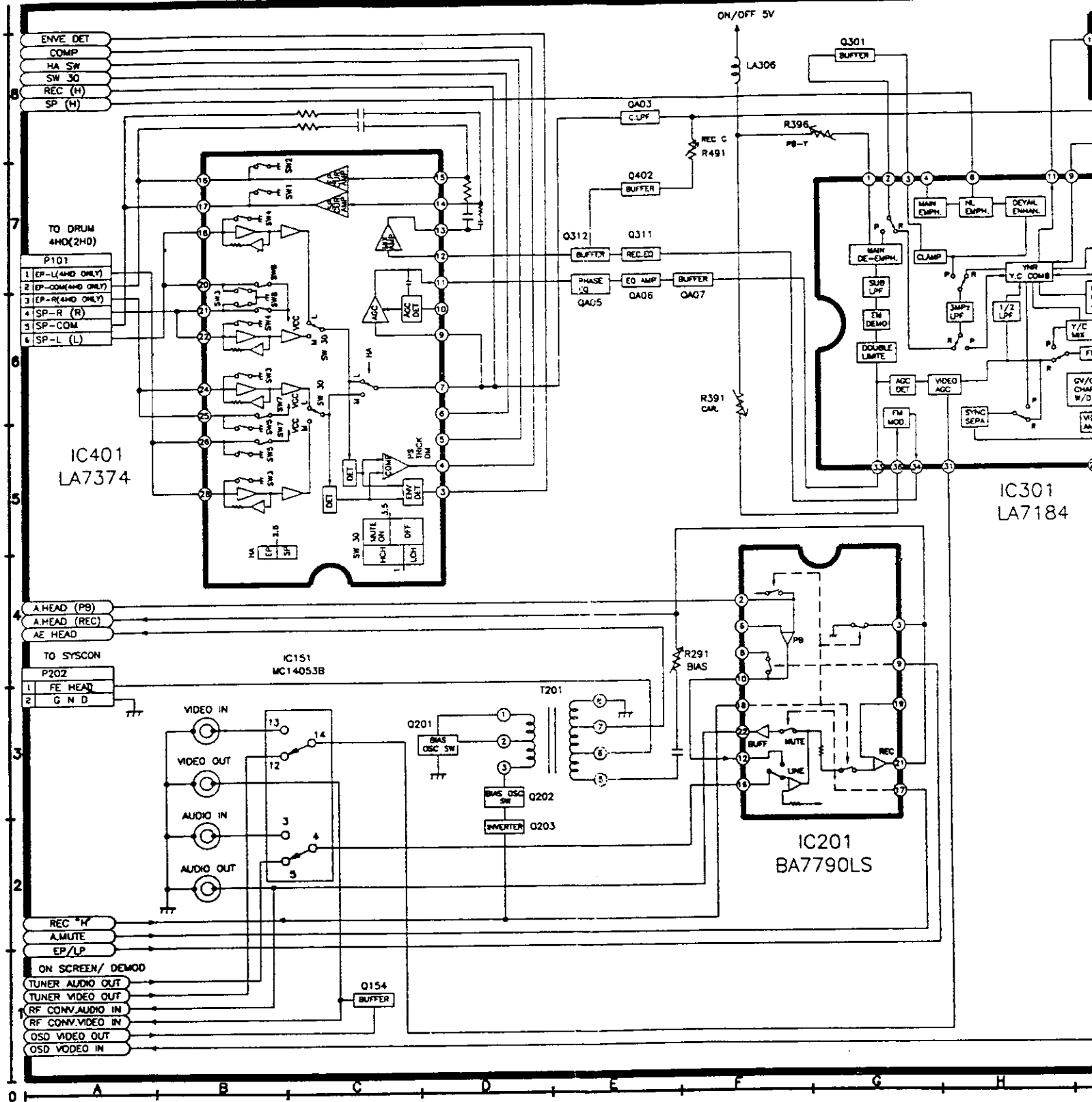
F(-)	1
F(+)	2
EVER -28V	3
D MOTOR VCC	4
C MOTOR VCC	5
EVER 5.6V	6
POWER ON(L)	7
POWER FAH(L)	8
EVER 37V	9
ON/OFF 12V	10

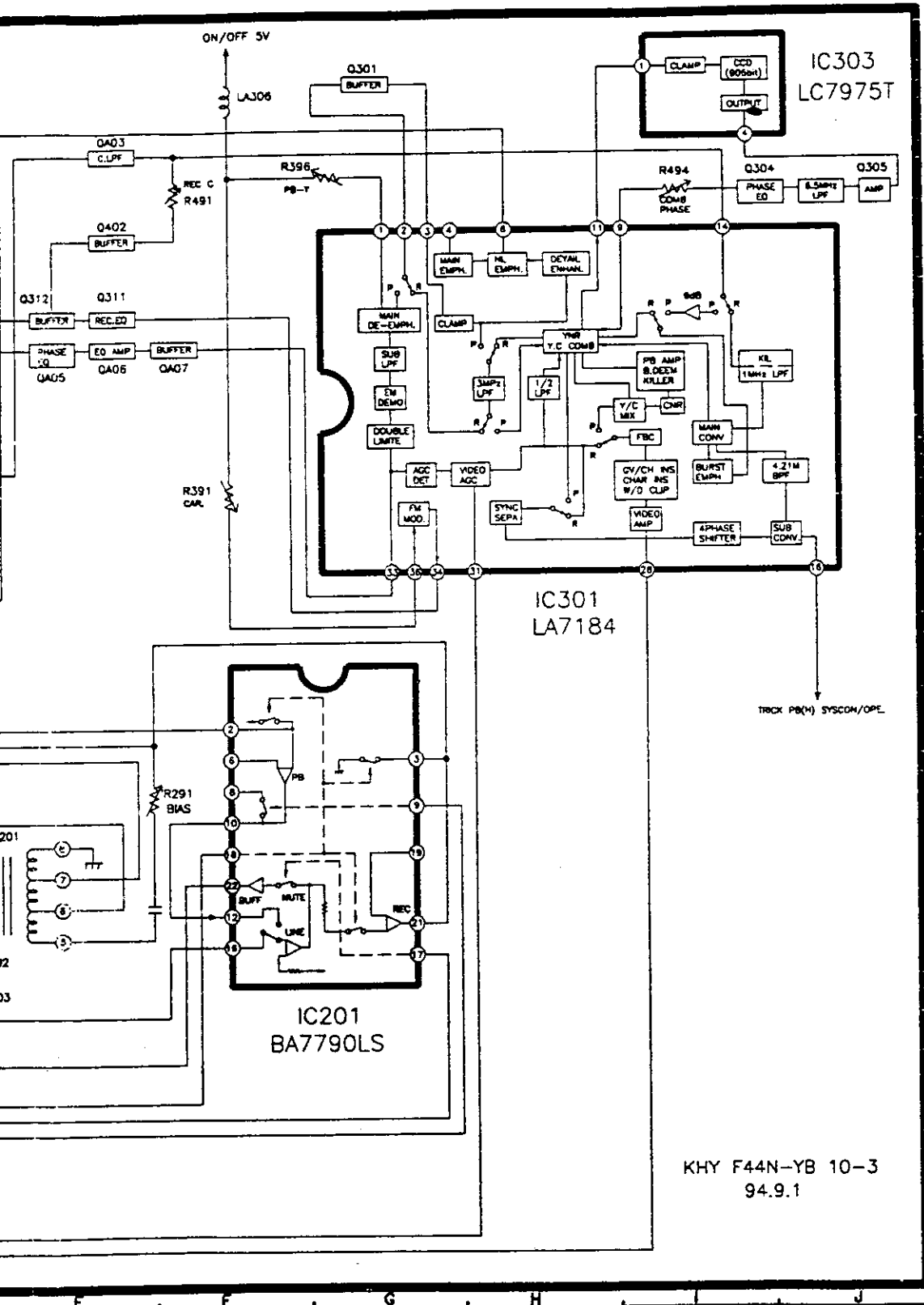
KHY F44NLX-S 2-10 94.12.22

E | F | G

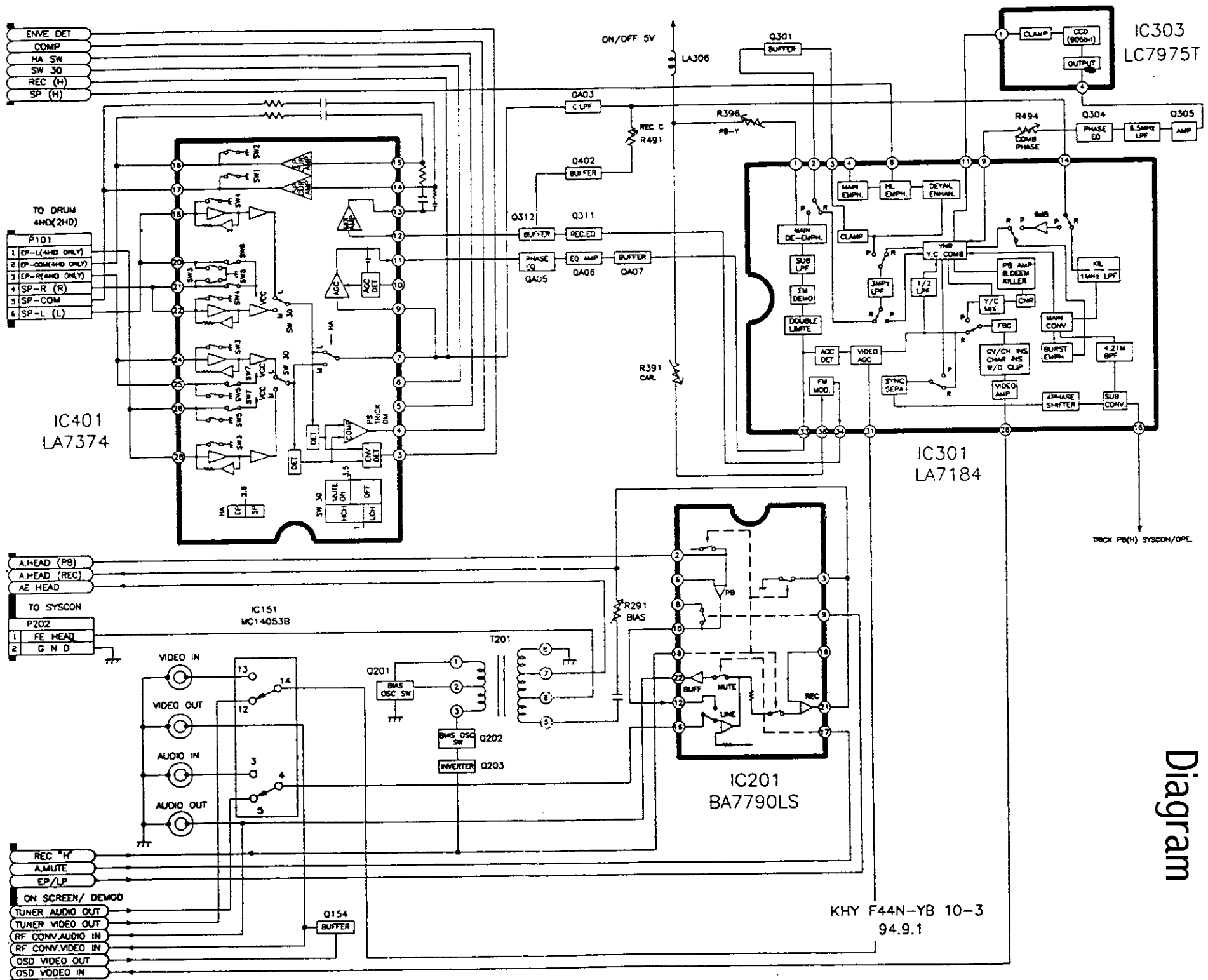
K DIAGRAM

VIDEO/INPUT SELECTOR BLOCK DIAGRAM



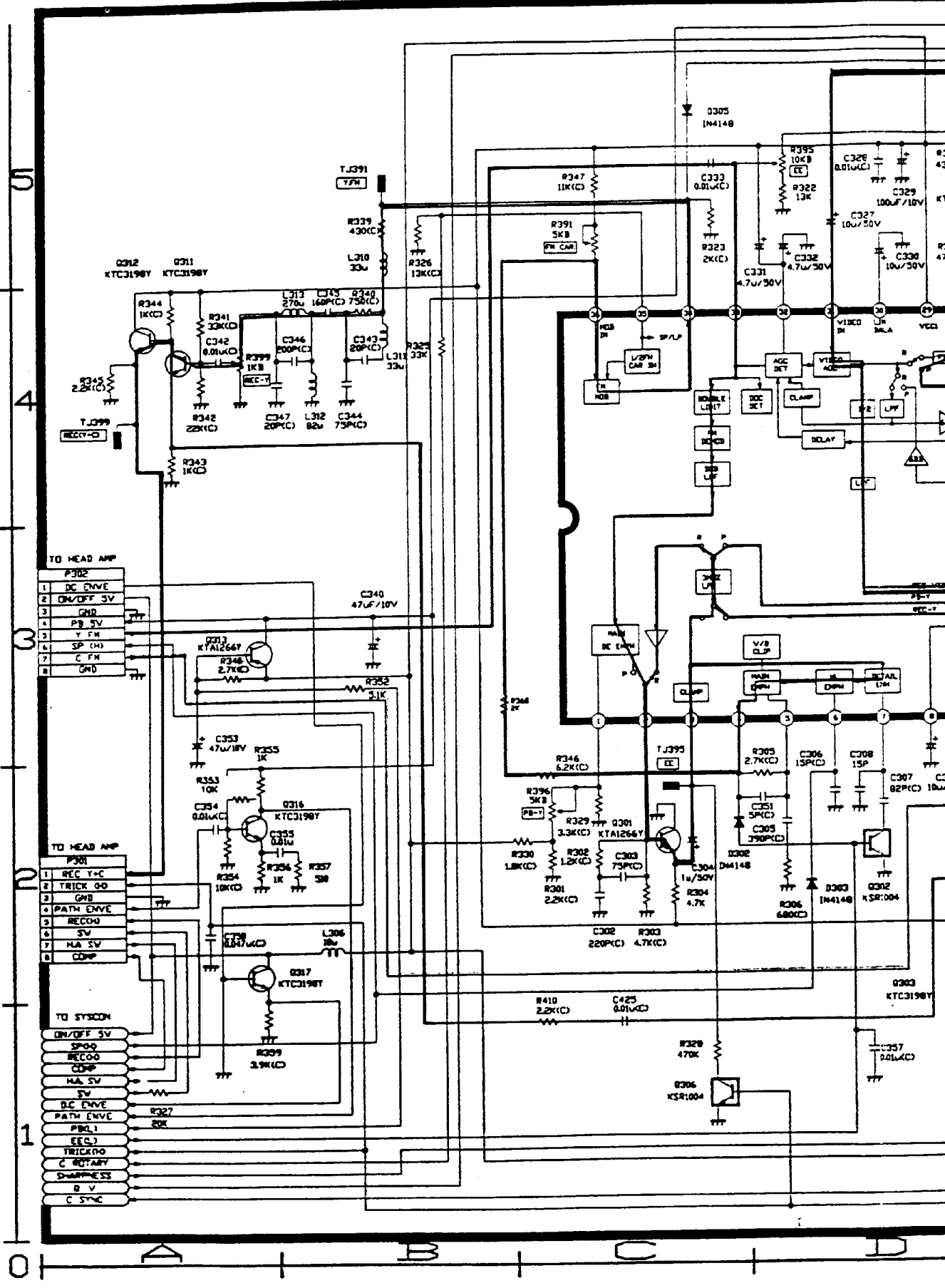


KHY F44N-YB 10-3
94.9.1



Video Block
Diagram

KHY F44N-YB 10-3
94.9.1



- TO HEAD AMP
- 1 DC ENVE
 - 2 ON/OFF 5V
 - 3 GND
 - 4 PB 5V
 - 5 Y FM
 - 6 SP (H)
 - 7 C FM
 - 8 GND

- TO HEAD AMP
- 1 REC T=C
 - 2 TRICK 00
 - 3 GND
 - 4 PATH ENVE
 - 5 REC00
 - 6 5V
 - 7 MA 5V
 - 8 COMP

- TO SYSCON
- ON/OFF 5V
 - SPO0
 - REC00
 - COMP
 - MA 5V
 - 5V
 - DC ENVE
 - PATH ENVE
 - PB01
 - EE01
 - TRICK00
 - C ROTARY
 - SHARPNESS
 - B V
 - C SYNC

- R328 470K
- R329 100K
- R330 100K/50V
- R331 4.7u/50V
- R332 13K
- R333 0.01u(C)
- R334 2K(C)
- R335 10K(B)
- R336 10K(B)
- R337 100uF/10V
- R338 10uF/50V
- R339 10uF/50V
- R340 10uF/50V
- R341 10uF/50V
- R342 10uF/50V
- R343 10uF/50V
- R344 10uF/50V
- R345 10uF/50V
- R346 10uF/50V
- R347 10uF/50V
- R348 10uF/50V
- R349 10uF/50V
- R350 10uF/50V
- R351 10uF/50V
- R352 10uF/50V
- R353 10uF/50V
- R354 10uF/50V
- R355 10uF/50V
- R356 10uF/50V
- R357 10uF/50V
- R358 10uF/50V
- R359 10uF/50V
- R360 10uF/50V
- R361 10uF/50V
- R362 10uF/50V
- R363 10uF/50V
- R364 10uF/50V
- R365 10uF/50V
- R366 10uF/50V
- R367 10uF/50V
- R368 10uF/50V
- R369 10uF/50V
- R370 10uF/50V
- R371 10uF/50V
- R372 10uF/50V
- R373 10uF/50V
- R374 10uF/50V
- R375 10uF/50V
- R376 10uF/50V
- R377 10uF/50V
- R378 10uF/50V
- R379 10uF/50V
- R380 10uF/50V
- R381 10uF/50V
- R382 10uF/50V
- R383 10uF/50V
- R384 10uF/50V
- R385 10uF/50V
- R386 10uF/50V
- R387 10uF/50V
- R388 10uF/50V
- R389 10uF/50V
- R390 10uF/50V
- R391 10uF/50V
- R392 10uF/50V
- R393 10uF/50V
- R394 10uF/50V
- R395 10uF/50V
- R396 10uF/50V
- R397 10uF/50V
- R398 10uF/50V
- R399 10uF/50V
- R400 10uF/50V
- R401 10uF/50V
- R402 10uF/50V
- R403 10uF/50V
- R404 10uF/50V
- R405 10uF/50V
- R406 10uF/50V
- R407 10uF/50V
- R408 10uF/50V
- R409 10uF/50V
- R410 10uF/50V
- R411 10uF/50V
- R412 10uF/50V
- R413 10uF/50V
- R414 10uF/50V
- R415 10uF/50V
- R416 10uF/50V
- R417 10uF/50V
- R418 10uF/50V
- R419 10uF/50V
- R420 10uF/50V
- R421 10uF/50V
- R422 10uF/50V
- R423 10uF/50V
- R424 10uF/50V
- R425 10uF/50V
- R426 10uF/50V
- R427 10uF/50V
- R428 10uF/50V
- R429 10uF/50V
- R430 10uF/50V
- R431 10uF/50V
- R432 10uF/50V
- R433 10uF/50V
- R434 10uF/50V
- R435 10uF/50V
- R436 10uF/50V
- R437 10uF/50V
- R438 10uF/50V
- R439 10uF/50V
- R440 10uF/50V
- R441 10uF/50V
- R442 10uF/50V
- R443 10uF/50V
- R444 10uF/50V
- R445 10uF/50V
- R446 10uF/50V
- R447 10uF/50V
- R448 10uF/50V
- R449 10uF/50V
- R450 10uF/50V
- R451 10uF/50V
- R452 10uF/50V
- R453 10uF/50V
- R454 10uF/50V
- R455 10uF/50V
- R456 10uF/50V
- R457 10uF/50V
- R458 10uF/50V
- R459 10uF/50V
- R460 10uF/50V
- R461 10uF/50V
- R462 10uF/50V
- R463 10uF/50V
- R464 10uF/50V
- R465 10uF/50V
- R466 10uF/50V
- R467 10uF/50V
- R468 10uF/50V
- R469 10uF/50V
- R470 10uF/50V
- R471 10uF/50V
- R472 10uF/50V
- R473 10uF/50V
- R474 10uF/50V
- R475 10uF/50V
- R476 10uF/50V
- R477 10uF/50V
- R478 10uF/50V
- R479 10uF/50V
- R480 10uF/50V
- R481 10uF/50V
- R482 10uF/50V
- R483 10uF/50V
- R484 10uF/50V
- R485 10uF/50V
- R486 10uF/50V
- R487 10uF/50V
- R488 10uF/50V
- R489 10uF/50V
- R490 10uF/50V
- R491 10uF/50V
- R492 10uF/50V
- R493 10uF/50V
- R494 10uF/50V
- R495 10uF/50V
- R496 10uF/50V
- R497 10uF/50V
- R498 10uF/50V
- R499 10uF/50V
- R500 10uF/50V

