

HISTORY INFORMATION FOR THE FOLLOWING MANUAL:

# SERVICE MANUAL

# DA-4X CHASSIS

<u>MODEL NAME</u>	<u>REMOTE COMMANDER</u>	<u>DESTINATION</u>	<u>CHASSIS NO.</u>
<b>KP-57WV600</b>	RM-Y188	US/CND	SCC-P92D-A
<b>KP-57WV700</b>	RM-Y188	US/CND	SCC-P92B-A
<b>KP-65WV600</b>	RM-Y188	US/CND	SCC-P92C-A
<b>KP-65WV700</b>	RM-Y188	US/CND	SCC-P92A-A

## ORIGINAL MANUAL ISSUE DATE: 6/2002

ALL REVISIONS AND UPDATES TO THE ORIGINAL MANUAL ARE APPENDED TO THE END OF THE PDF FILE.

<u>REVISION DATE</u>	<u>REVISION TYPE</u>	<u>SUBJECT</u>
6/2002	No revisions or updates are applicable at this time.	
7/2002	Re-release Manual	Revised Service Data List (pgs. 21, 22, 25, 43, 44, 45) Revised Circuit Boards Location (pg. 60) to include U Board and UD Board Removed Shade(B) (pg. 110)
8/2002	Correction-1	Revised Exploded View Cover diagrams to reflect accurate position of Contrast Screen Assembly. (pgs.107 & 108)

COLOR REAR VIDEO PROJECTOR

# SONY®

# SERVICE MANUAL

# DA-4X CHASSIS

<u>MODEL NAME</u>	<u>REMOTE COMMANDER</u>	<u>DESTINATION</u>	<u>CHASSIS NO.</u>
<b>KP-57WV600</b>	RM-Y188	US/CND	SCC-P92D-A
<b>KP-57WV700</b>	RM-Y188	US/CND	SCC-P92B-A
<b>KP-65WV600</b>	RM-Y188	US/CND	SCC-P92C-A
<b>KP-65WV700</b>	RM-Y188	US/CND	SCC-P92A-A



KP-57WV600



RM-Y188

COLOR REAR VIDEO PROJECTOR

# SONY®

## TABLE OF CONTENTS

SECTION TITLE	PAGE	SECTION TITLE	PAGE
Specifications .....	4	<b>4. Circuit Adjustments</b>	
Warnings and Cautions .....	5	4-1. P&P Sub Contrast Adjustment (Video) (SCON) .....	58
Safety Check-Out .....	6	4-2. P&P Sub Contrast Adjustment (RF) (SCON).....	58
Self-Diagnostic Function.....	7	4-3. P&P Sub-Hue and Sub-Color Adjustment Video (SHUE, SCOL) .....	58
<b>1. Disassembly</b>		4-4. P&P Sub-Hue and Sub-Color Adjustment (RF) (SHUE, SCOL) .....	58
1-1. Rear Board Removal .....	10	4-5. Blue Offset Adjustment .....	59
1-2. Chassis Assembly Removal .....	10	<b>5. Diagrams</b>	
1-3. Service Position .....	10	5-1. Circuit Boards Location .....	60
1-4. Terminal Board and UD Board Removal .....	11	5-2. Printed Wiring Boards and Schematic Diagrams Information .....	60
1-5. AD Board, B Board, M Board, MS1 Board, and U Board Removal .....	11	5-3. Block Diagrams .....	62
1-6. D Board, A Board, and G Board Remvoal .....	12	5-4. Schematics and Supporting Information.....	65
1-7. High-Voltage Cable Installation and Removal .....	12	VM Board .....	65
1-8. Picture Tube Removal .....	13	CR Board .....	67
1-9. Grille, HA Board, HM Board, and HB Board Removal .....	13	CG Board .....	68
1-10. Beznet Assembly Removal.....	14	CB Board.....	69
1-11. SR Board Removal.....	14	U Board.....	70
1-12. Mirror Cover Removal (KP-57WV600/57WV700 Only) ...	15	UD Board .....	72
<b>2. Set-up Adjustments</b>		A Board .....	74
2-1. Screen Voltage Adjustment (G2) (Coarse Adjustment) ...	16	B Board .....	77
2-2. Screen (G2) Adjustment (Fine Adjustments) .....	16	MS1 Board .....	85
2-3. Deflection Yoke Tilt Adjustment .....	16	G Board.....	89
2-4. Focus Lens Adjustment .....	17	AD Board.....	91
2-5. Focus VR Adjustment .....	17	D Board.....	94
2-6. 2-Pole Magnet Adjustment .....	18	M Board.....	97
2-7. Centering Magnet Adjustment .....	18	HB Board.....	102
2-8. 4-Pole Magnet Adjustment .....	18	HM Board .....	103
2-9. Defocus Adjustment (Blue).....	18	SR Board.....	104
2-10. Electrical Adjustments By Remote Commander.....	19	HA Board.....	105
2-11. Service Data Lists.....	20	5-5. Semiconductors.....	106
2-12. Registration Adjustment (PJE mode only) .....	48	<b>6. Exploded Views</b>	
2-13. PJE Adjustment (Sub Deflection Adjustment).....	50	6-1. Cover (KP-57WV600/57WV700 Only) .....	107
2-14. Auto Registration Offsets.....	53	6-2. Cover (KP-65WV600/65WV700 Only).....	108
2-15. Auto Registration Error Codes.....	54	6-3. Chassis.....	109
2-16. Auto Registration Diagnostics .....	55	6-4. Picture Tube .....	110
<b>3. Safety Related Adjustments</b>		<b>7. Electrical Parts List</b> .....	111
D Board			
3-1. HV Regulation Circuit Check and Adjustment .....	56		
3-2. HV Hold Down Circuit Operation Check and Adjustment.....	56		
G Board			
3-3. +B Max Voltage Confirmation .....	57		
3-4. +B OVP Confirmation .....	57		

## SPECIFICATIONS

**Power Requirements** 120V AC, 60Hz

**Power Consumption (W)**

**In Use (Max)** 295W  
**In Standby** 1 W

**Inputs/Outputs DVI-HDTV**

1 terminal, 3.3V T.M.D.S., 50 ohms  
The DVI-HDTV input terminal is compliant with the EIA-861 standard and is not intended for use with personal computers.

**Video (IN)**

4 total (1 on front panel)  
1Vp-p, 75ohms unbalanced, sync negative

**S Video (IN)**

3 total (1 on front panel)  
Y: 1Vp-p, 75ohms unbalanced, sync negative  
C: 0.286Vp-p (Burst signal), 75ohms

**Audio (IN)**

7 total (1 on front panel)  
500 mVrms (100% modulation)  
Impedance:47 kilohm

**Component Video Input**

2 total  
Y: 1.0 Vp-p, 75 ohms unbalanced, sync negative;  
PB: 0.7 Vp-p, 75 ohms;  
PR: 0.7 Vp-p, 75 ohms

**Control S (IN/OUT)**

Variable/Fixed Audio (OUT)  
More than 408 m Vrms at the maximum volume setting (Variable)  
More than 408 m Vrms (Fixed) Impedance (output):2 kilohms

	KP-57WV600 KP-57WV700	KP-65WV600	KP-65WV700
<b>Speaker Output (W)</b>	20W x 2		
<b>Dimensions (W x H x D)</b> mm in	1361 x 1394 x 689 mm 53 <sup>5/8</sup> x 54 <sup>15/16</sup> x 27 <sup>1/8</sup> in	1542 x 1516 x 735 mm 60 <sup>3/4</sup> x 59 <sup>3/4</sup> x 28 <sup>15/16</sup> in	
<b>Mass</b> kg lbs	98 kg 216 lbs	136 kg 300 lbs	134 kg 295 lbs

**Projection System**

3 picture tubes, 3 lenses, horizontal in-line system

**Picture Tube**

7-inch high-brightness monochrome tubes (6.3 raster size), with optical coupling and liquid cooling system.

**Projection Lenses**

High performance, large diameter hybrid lens F1.1

**Antenna**

75 ohm external terminal for VHF/UHF

**Television System**

NTSC, American TV Standard

**Channel Coverage**

VHF: 2-13/ VHF: 14-69/ CATV: 1-125

**Screen Size (measured diagonally)**

**57 inches (KP-57WV600/57WV700)**  
**65 inches (KP-65WV600/65WV700)**

**Supplied Accessories**

Remote Control RM-Y188  
Batteries (2) size AA (R6)

**Optional Accessories**

A/V Cable (VMC-810/820/830 HG)  
Audio Cable (RKC-515HG)  
Component Video Cable (VMC-10/30 HG)  
Control S Cable (RK-G69HG)  
Memory Stick media:  
8 MB (MSA-8A)  
16 MB (MSA-16A)  
32 MB (MSA-32A)  
64 MB (MSA-64A)  
128 MB (MSA-128A)



## WARNINGS AND CAUTIONS

### CAUTION


Short circuit the anode of the picture tube and the anode cap to the metal chassis, CRT shield, or carbon painted on the CRT, after removing the anode.

### WARNING!!

An isolation transformer should be used during any service to avoid possible shock hazard, because of live chassis. The chassis of this receiver is directly connected to the ac power line.



### SAFETY-RELATED COMPONENT WARNING!!

Components identified by shading and  mark on the schematic diagrams, exploded views, and in the parts list are critical for safe operation. Replace these components with Sony parts whose part numbers appear as shown in this manual or in supplements published by Sony. Circuit adjustments that are critical for safe operation are identified in this manual. Follow these procedures whenever critical components are replaced or improper operation is suspected.

---


### ATTENTION!!

Après avoir déconnecté le cap de l'anode, court-circuiter l'anode du tube cathodique et celui de l'anode du cap au châssis métallique de l'appareil, ou la couche de carbone peinte sur le tube cathodique ou au blindage du tube cathodique.

Afin d'éviter tout risque d'électrocution provenant d'un châssis sous tension, un transformateur d'isolement doit être utilisé lors de tout dépannage. Le châssis de ce récepteur est directement raccordé à l'alimentation du secteur.



### ATTENTION AUX COMPOSANTS RELATIFS A LA SECURITE!!

Les composants identifiés par une trame et par une marque  sur les schémas de principe, les vues explosées et les listes de pièces sont d'une importance critique pour la sécurité du fonctionnement. Ne les remplacer que par des composants Sony dont le numéro de pièce est indiqué dans le présent manuel ou dans des suppléments publiés par Sony. Les réglages de circuit dont l'importance est critique pour la sécurité du fonctionnement sont identifiés dans le présent manuel. Suivre ces procédures lors de chaque remplacement de composants critiques, ou lorsqu'un mauvais fonctionnement suspecte.

## SAFETY CHECK-OUT

After correcting the original service problem, perform the following safety checks before releasing the set to the customer:

1. Check the area of your repair for unsoldered or poorly soldered connections. Check the entire board surface for solder splashes and bridges.
2. Check the interboard wiring to ensure that no wires are "pinched" or touching high-wattage resistors.
3. Check that all control knobs, shields, covers, ground straps, and mounting hardware have been replaced. Be absolutely certain that you have replaced all the insulators.
4. Look for unauthorized replacement parts, particularly transistors, that were installed during a previous repair. Point them out to the customer and recommend their replacement.
5. Look for parts which, though functioning, show obvious signs of deterioration. Point them out to the customer and recommend their replacement.
6. Check the line cords for cracks and abrasion. Recommend the replacement of any such line cord to the customer.
7. Check the B+ and HV to see if they are specified values. Make sure your instruments are accurate; be suspicious of your HV meter if sets always have low HV.
8. Check the antenna terminals, metal trim, "metallized" knobs, screws, and all other exposed metal parts for AC leakage. Check leakage as described below.

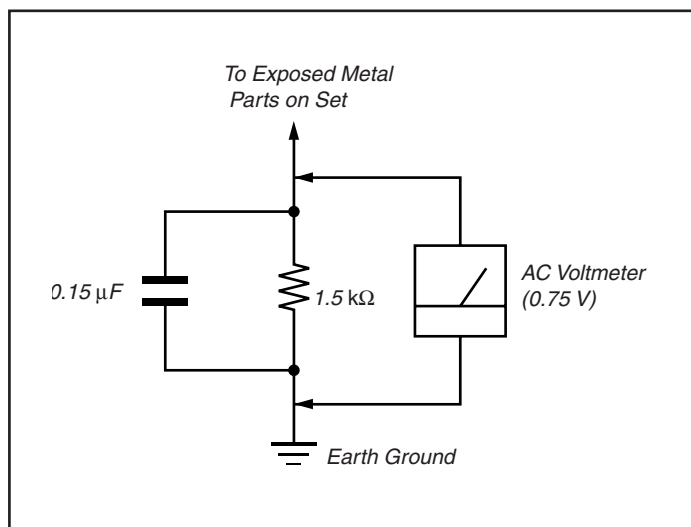


Figure A. Using an AC voltmeter to check AC leakage.

### Leakage Test

The AC leakage from any exposed metal part to earth ground and from all exposed metal parts to any exposed metal part having a return to chassis, must not exceed 0.5 mA (500 microamperes). Leakage current can be measured by any one of three methods.

1. A commercial leakage tester, such as the Simpson 229 or RCA WT-540A. Follow the manufacturers' instructions to use these instructions.
2. A battery-operated AC milliammeter. The Data Precision 245 digital multimeter is suitable for this job.
3. Measuring the voltage drop across a resistor by means of a VOM or battery-operated AC voltmeter. The "limit" indication is 0.75 V, so analog meters must have an accurate low voltage scale. The Simpson's 250 and Sanwa SH-63TRD are examples of passive VOMs that are suitable. Nearly all battery-operated digital multimeters that have a 2 VAC range are suitable (see Figure A).

### How to Find a Good Earth Ground

A cold-water pipe is a guaranteed earth ground; the cover-plate retaining screw on most AC outlet boxes is also at earth ground. If the retaining screw is to be used as your earth ground, verify that it is at ground by measuring the resistance between it and a cold-water pipe with an ohmmeter. The reading should be zero ohms.

If a cold-water pipe is not accessible, connect a 60- to 100-watt trouble-light (not a neon lamp) between the hot side of the receptacle and the retaining screw. Try both slots, if necessary, to locate the hot side on the line; the lamp should light at normal brilliance if the screw is at ground potential (see Figure B).

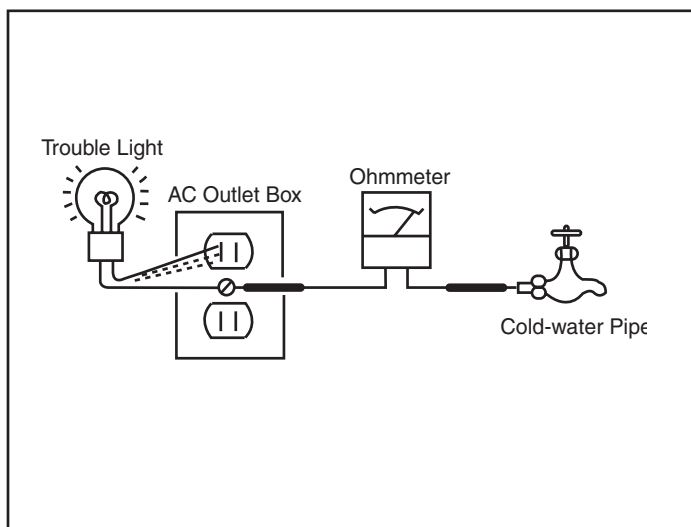


Figure B. Checking for earth ground.

## SELF-DIAGNOSTIC FUNCTION



The units in this manual contain a self-diagnostic function. If an error occurs, the STANDBY/TIMER LED will automatically begin to flash. The number of times the LED flashes translates to a probable source of the problem. A definition of the STANDBY/TIMER LED flash indicators is listed in the instruction manual for the user's knowledge and reference. If an error symptom cannot be reproduced, the Remote Commander can be used to review the failure occurrence data stored in memory to reveal past problems and how often these problems occur.

### Diagnostic Test Indicators

When an error occurs, the STANDBY/TIMER LED will flash a set number of times to indicate the possible cause of the problem. If there is more than one error, the LED will identify the first of the problem areas.

Results for all of the following diagnostic items are displayed on screen. If the screen displays a "0", no error has occurred.

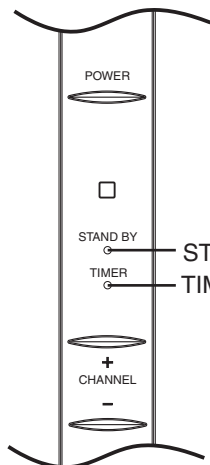
Diagnostic Item	No. of times STANDBY / TIMER lamp flashes	Display Result	Probable Cause Location	Detected Symptoms
Power does not turn on	Does not light	_____	<ul style="list-style-type: none"> <li>Power cord is not plugged in.</li> <li>Fuse is burned out (F501). (A Board)</li> </ul>	<ul style="list-style-type: none"> <li>Power does not come on.</li> <li>No power is supplied to the TV.</li> <li>AC Power supply is faulty.</li> </ul>
+B Overcurrent (OCP)*	2 times	2:0 or 2:1	<ul style="list-style-type: none"> <li>H.OUT (Q8024) is shorted. (D Board)</li> <li>+B PWM (Q8035) is shorted. (D Board)</li> </ul>	<ul style="list-style-type: none"> <li>Power does not come on.</li> <li>Load on power line shorted.</li> </ul>
Low +B Overvoltage (OVP)	3 times	3:0 or 3:1	<ul style="list-style-type: none"> <li>IC6504 is faulty. (D Board)</li> </ul>	<ul style="list-style-type: none"> <li>Has entered standby mode.</li> </ul>
Vertical Deflection Stopped	4 times	4:0 or 4:1	<ul style="list-style-type: none"> <li>15V is not supplied. (D Board)</li> <li>IC8003 is faulty. (D Board)</li> </ul>	<ul style="list-style-type: none"> <li>Has entered standby mode after Horizontal raster.</li> <li>Vertical deflection pulse is stopped.</li> <li>Power line is shorted or power supply is stopped.</li> </ul>
White Balance Failure (not balanced)	5 times	5:0 or 5:1	<ul style="list-style-type: none"> <li>Video OUT (IC9101, IC9201, IC9301) is faulty. (CR, CG, CB Board)</li> <li>CRT drive (IC2801) is faulty. (B Board)</li> <li>G2 is improperly adjusted.**</li> </ul>	<ul style="list-style-type: none"> <li>No raster is generated.</li> <li>CRT cathode current detection reference pulse output is small.</li> </ul>
LOW +B OCP/OVP (overcurrent/overvoltage)***	6 times	6:0 or 6:1	<ul style="list-style-type: none"> <li>+5 line is overloaded. (A, B, M Boards)</li> <li>+5 line is shorted. (A, B, M Boards)</li> <li>IC504 is faulty. (A Board)</li> </ul>	<ul style="list-style-type: none"> <li>No picture</li> </ul>
Horizontal Deflection Stopped	7 times	7:0 or 7:1		<ul style="list-style-type: none"> <li>No picture</li> </ul>

\* If a +B overcurrent is detected, stoppage of the vertical deflection is detected simultaneously. The symptom that is diagnosed first by the microcontroller is displayed on the screen.

\*\* Refer to Screen (G2) Adjustment (Fine Adjustments) in Section 2 of this manual.

\*\*\* If STANDBY/STEREO LED flashes six (6) times, unplug the unit and wait 10 seconds before performing the adjustment.

### Display of Standby/Timer LED Flash Count



Diagnostic items	Flash count	
+B Overcurrent	2 times	
Low +B Overvoltage	3 times	
Vert. Deflection Stopped	4 times	
White Balance Failure	5 times	
Low +B OCP/OVP	6 times	
Horiz. Deflection Stopped	7 times	

### Release of TIMER STANDBY indicator blinking

The TIMER/STANDBY indicator blinking display is released by turning OFF the power switch on the TV main unit or removing the plug from the power.

### Self-Diagnosis Screen Displays

In cases of malfunctions where it is not possible to determine the symptom such as when the power goes off occasionally or when the screen disappears occasionally, there is a screen display on whether the malfunction occurred or not in the past (and whether the detection circuit operated or not) in order to allow confirmation.

### Screen Display Method

Quickly press the remote command button in the following order from the standby state.

[Display] → Channel [5] → Sound Volume\* [ ] → Power ON

\*Note that this differs from entering the service mode (sound volume [ + ])

SELF DIAGNOSIS	
2: +B OCP	0
3: +B OVP	0
4: VSTOP	0
5: AKB	1
6: LOWB	0
7: H-STOP	0
101: WDT	24

Numeral "0"  
means that no fault was detected.

Numeral "1"  
means a fault was detected one time only.

### Self-Diagnosis Screen Display

The results display is not automatically cleared. In case of repairs and after repairs, check the self-diagnosis screen and be sure to return the results display to "0".

If the results display is not returned to "0" it will not be possible to judge a new malfunction after completing repairs.

### Method of Clearing Results Display

1. Power off (Set to the standby mode.)
2. [Display] → Channel [5] → Sound Volume [ + ] → Power ON (Service Mode)
3. Channel [8] → [ENTER] (Test reset = Factory preset condition)

### Method of Ending Self Diagnosis Screen

When ending the self-diagnosis screen completely, turn the power switch OFF on the remote commander or the main unit.

## Self-Diagnosis Function Operation

### +B overcurrent (OCP)

Occurs when excessive current flows through R5013. The increase in voltage across R5013 causes the output of Q5004 to go high, and this high signal goes to the micro.

### +B overvoltage (OVP)

IC6505 detects +B OVP condition and turns on Q6522. This sends a high signal to the micro and also shuts down the AC relay.

### V-STOP

Occurs when an absence of the vertical deflection pulse is detected by pin 24 of IC2801 (B Board). Power supply will shut down when waveform interval exceeds 2 seconds.

### White Balance Failure

If the RGB levels\* do not balance within 2 seconds after the power is turned on, this error will be detected by IC2801. TV will stay on, but there will be no picture.

\*(Refers to the RGB levels of the AKB detection Ref pulse that detects 1K).

### Low B OCP/OVP

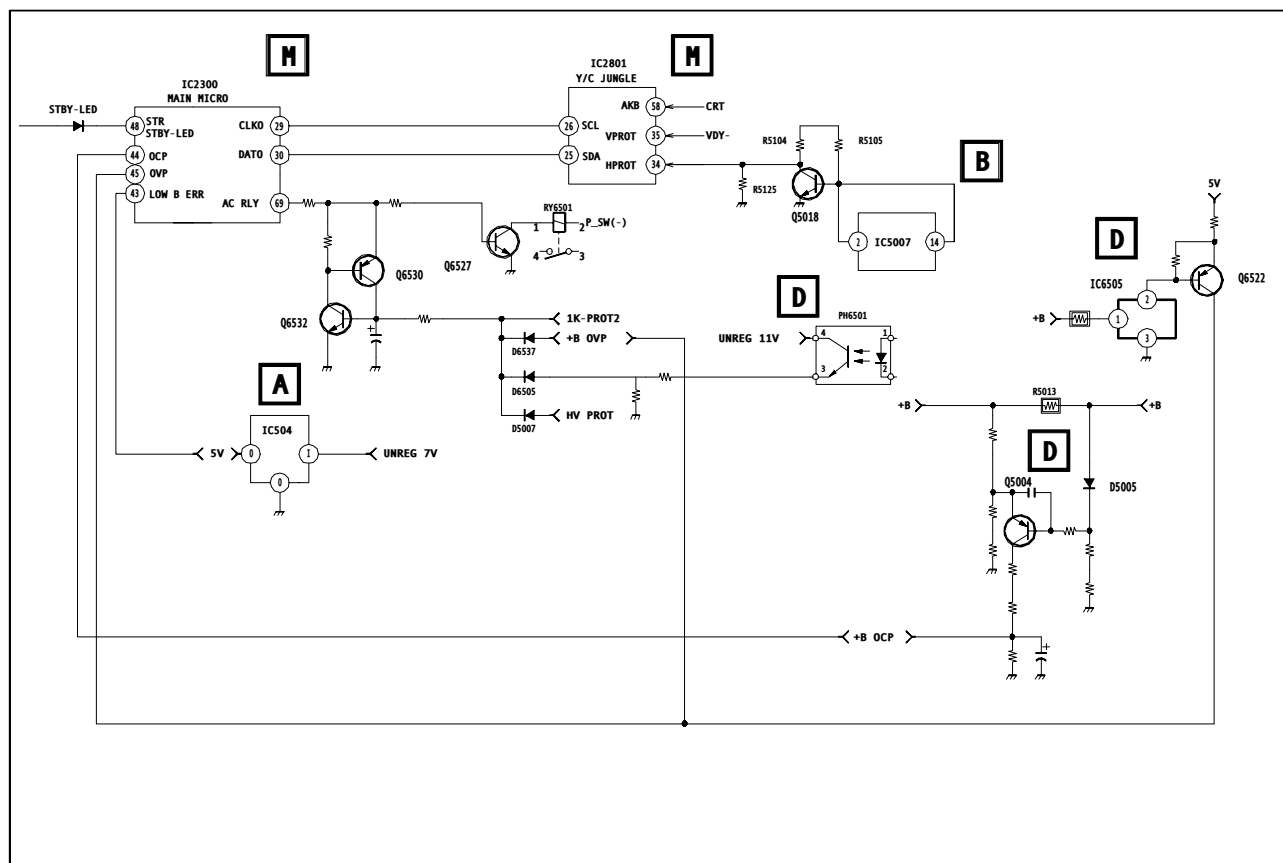
Occurs when set 5V is out.

### Horizontal Deflection Stopped

Occurs when either:

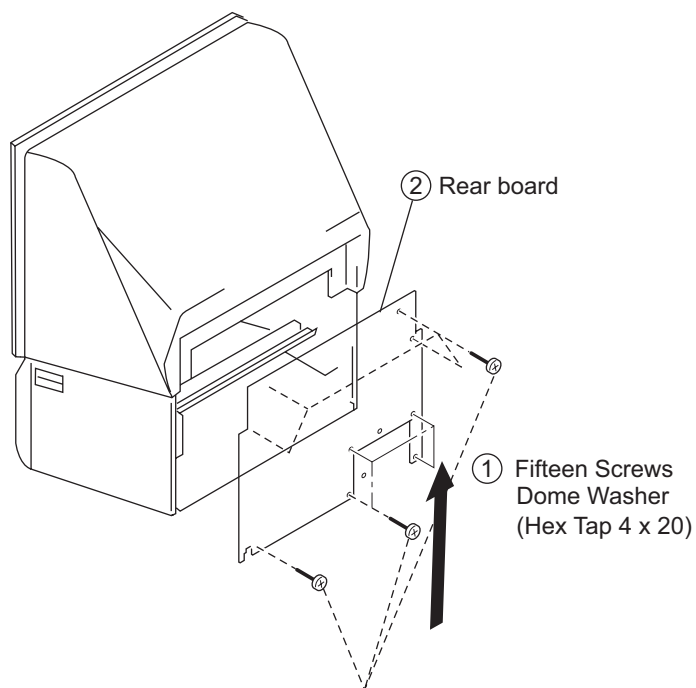
- 1) a +B overcurrent is detected (IC5007), or
- 2) overheating is detected (Thermistor TH5002).

## Self-Diagnosis Block Diagram

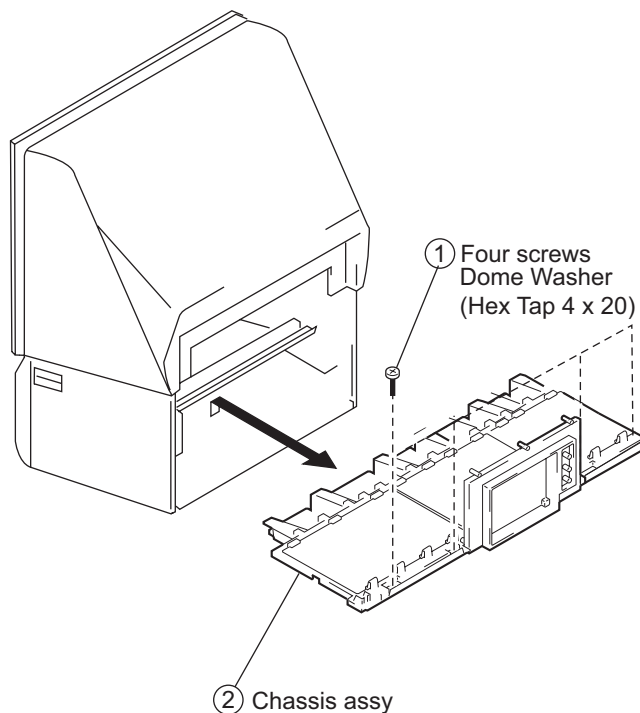


## SECTION 1: DISASSEMBLY

### 1-1. REAR BOARD REMOVAL



### 1-2. CHASSIS ASSEMBLY REMOVAL

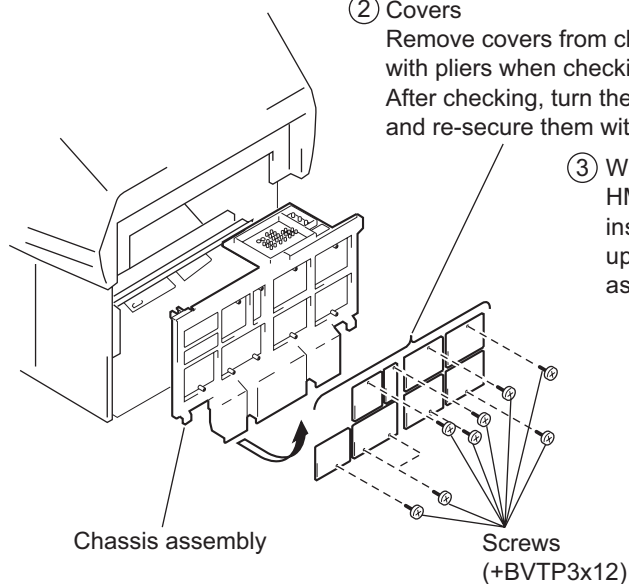


### 1-3. SERVICE POSITION

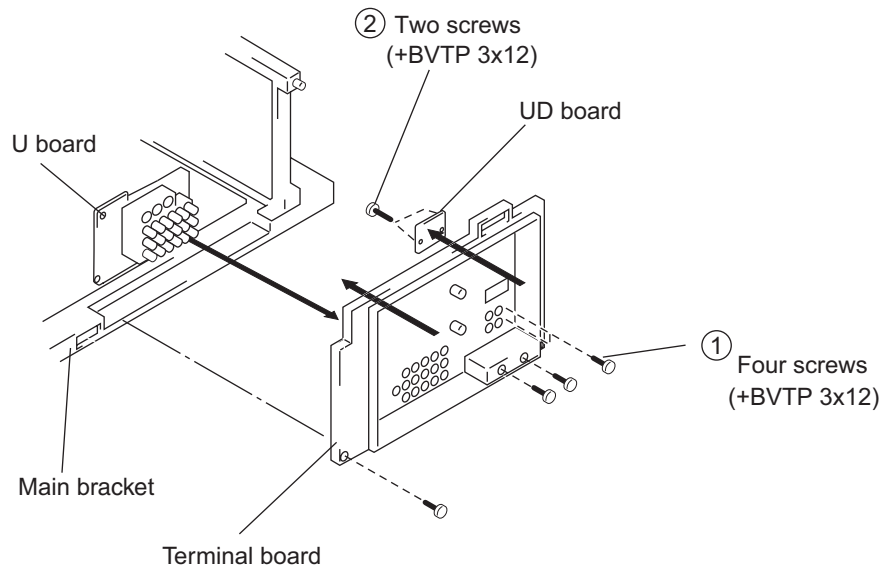
① Free wiring from purse locks.  
NOTE: Observe wire dress and return to original condition.

② Covers  
Remove covers from chassis assembly with pliers when checking printed circuit boards. After checking, turn the covers over and re-secure them with the screws.

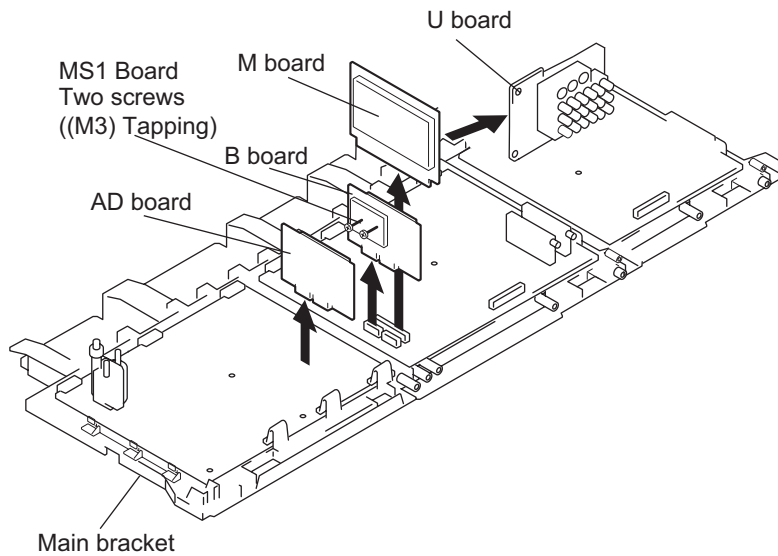
③ When plugging in connector from HM Board to B Board at CN3603 insure two brown wires are facing upward towards the HV block assembly.



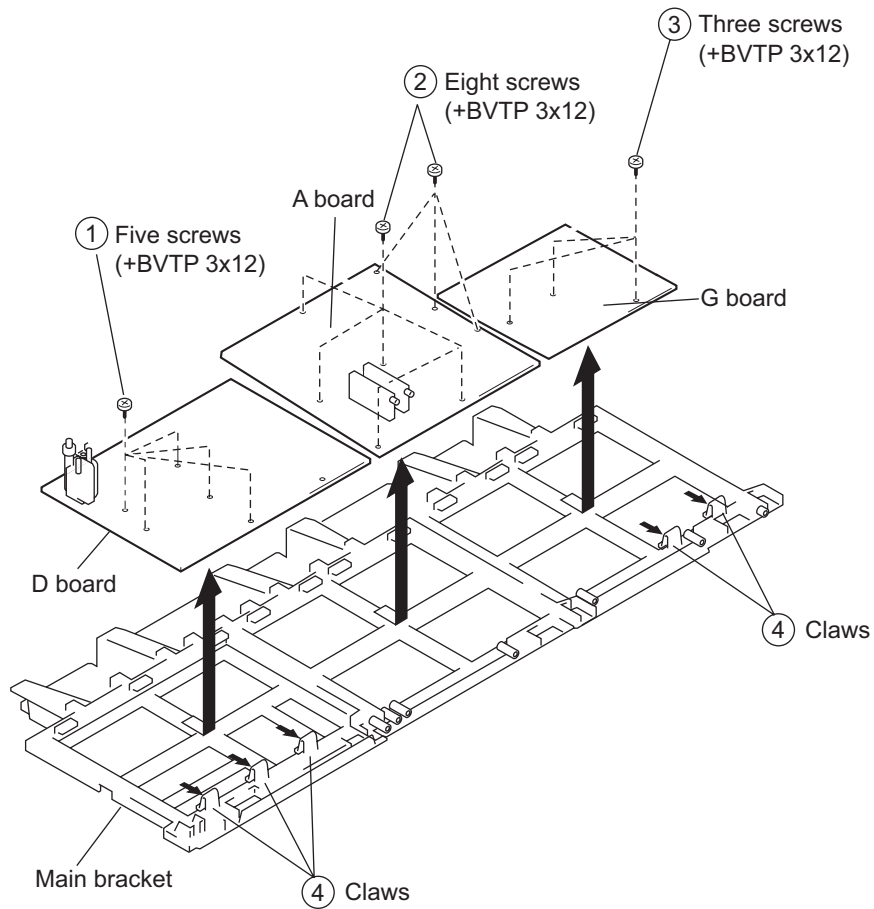
### 1-4. TERMINAL BOARD AND UD BOARD REMOVAL



### 1-5. AD BOARD, B BOARD, M BOARD, MS1 BOARD, AND U BOARD REMOVAL

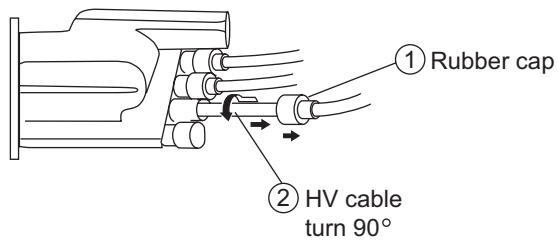


### 1-6. D BOARD, A BOARD, AND G BOARD REMOVAL

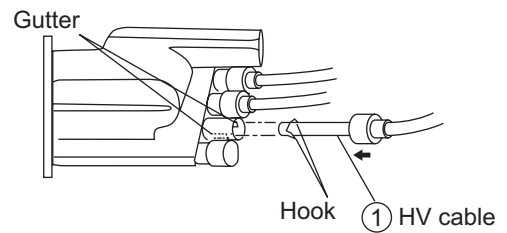


### 1-7. HIGH-VOLTAGE CABLE INSTALLATION AND REMOVAL

(1) Removal



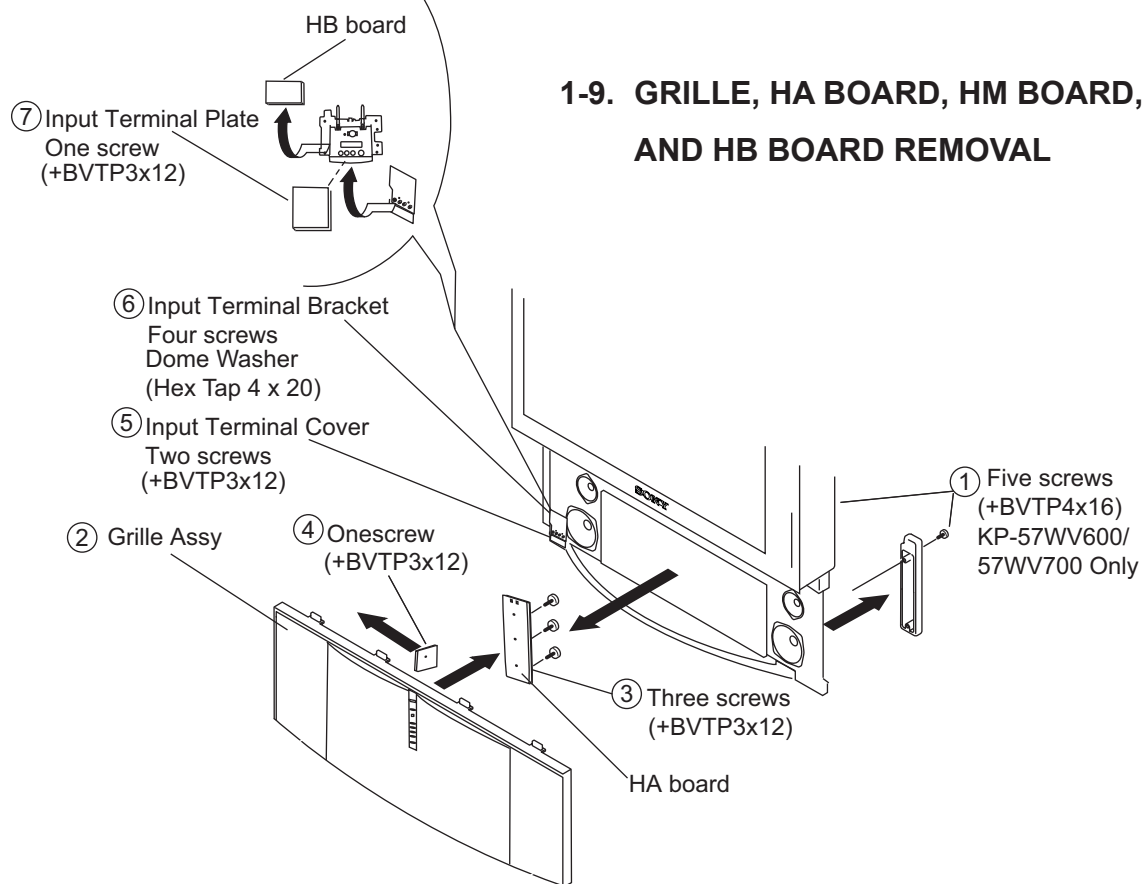
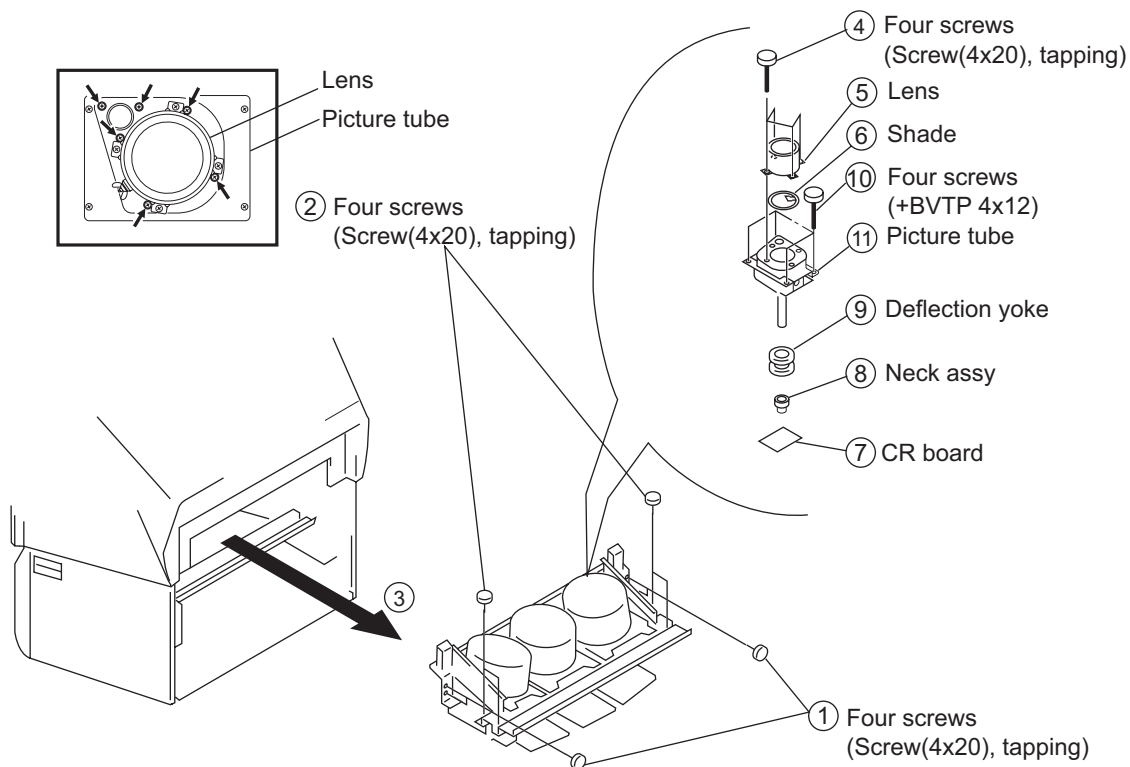
(2) Installation





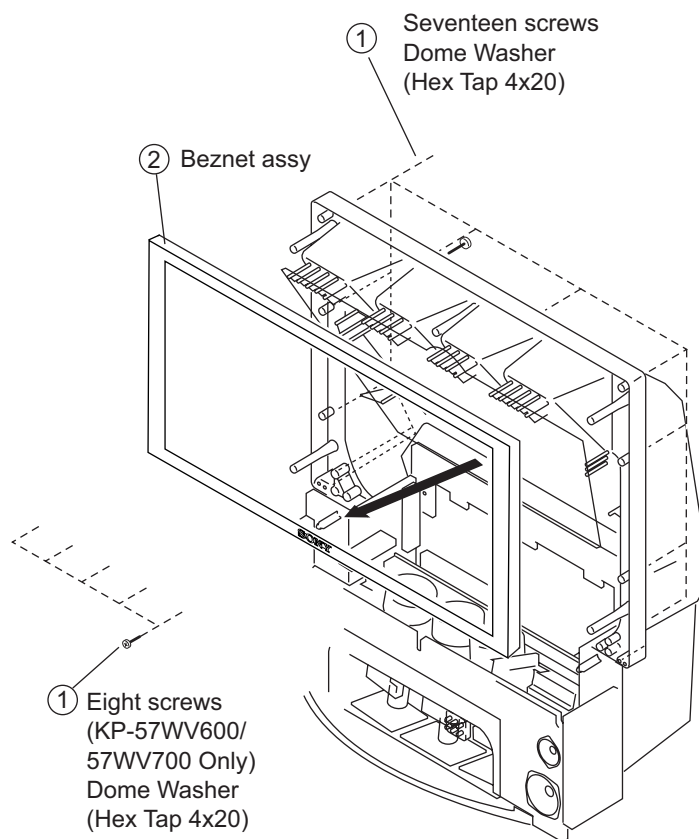
## 1-8. PICTURE TUBE REMOVAL

**CAUTION:** Removing the arrow-marked screws is strictly prohibited. If removed, it may cause liquid to spill.



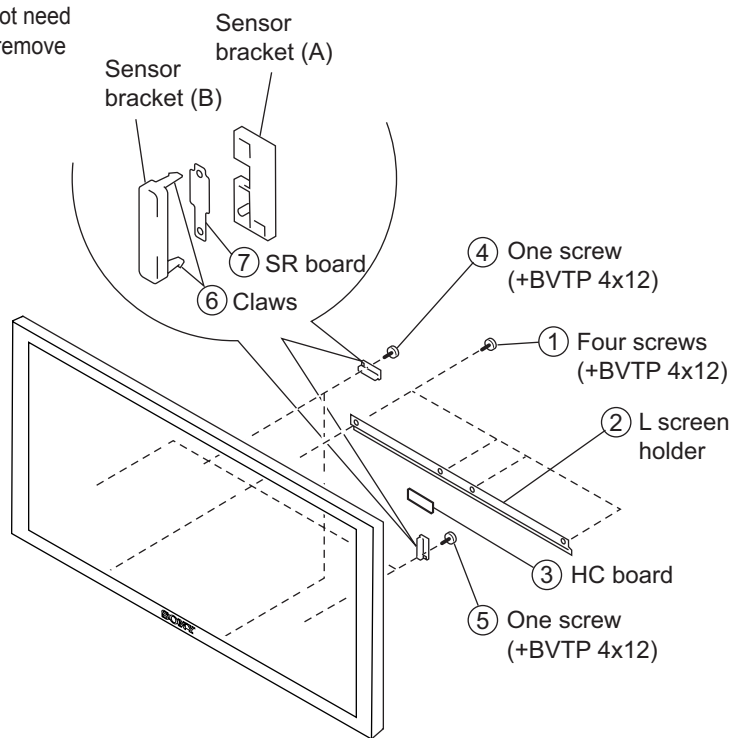
## 1-9. GRILLE, HA BOARD, HM BOARD, AND HB BOARD REMOVAL

## 1-10. BEZNET ASSEMBLY REMOVAL

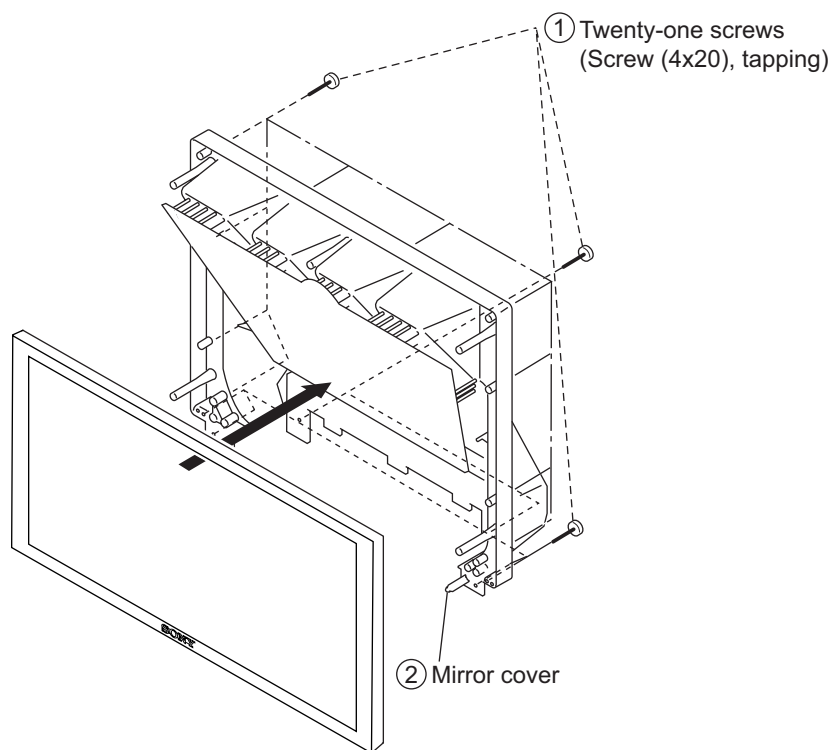


## 1-11. SR BOARD REMOVAL

The Screen Holder does not need to be removed in order to remove the SR boards.



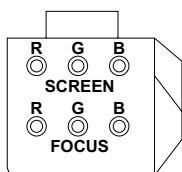
## 1-12.MIRROR COVER REMOVAL (KP-57WV600/57WV700 ONLY)



## SECTION 2: SET-UP ADJUSTMENTS

### 2-1. SCREEN VOLTAGE ADJUSTMENT (G2) (COARSE ADJUSTMENT)

1. Receive the Monoscope signal..
2. Set BRIGHTNESS to 50% and PICTURE to minimum.
3. Turn the red VR on the focus block all the way to the left and then gradually turn it to the right until the retrace line is barely visible.
4. Gradually turn the control to the left until the retrace line disappears.

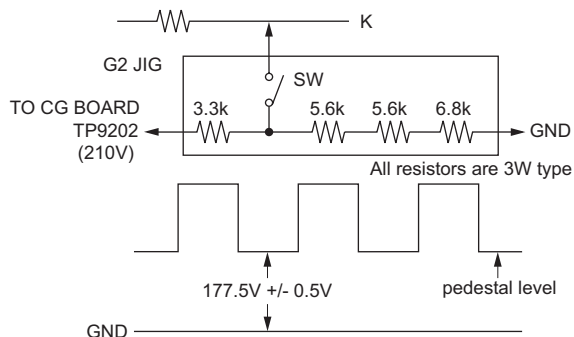


FOCUS Block

### 2-2. SCREEN (G2) ADJUSTMENT (FINE ADJUSTMENT)

If the jig described below is available, it is recommended that the G2 Fine Mode Adjustment be performed to set the screen controls to their optimal condition. If desired, you can build the jig illustrated below, using 3-watt resistors. Please note that if the proper voltage is not obtained with the listed resistor's values, then increase or decrease one of the values in the resistor network to obtain the correct voltage.

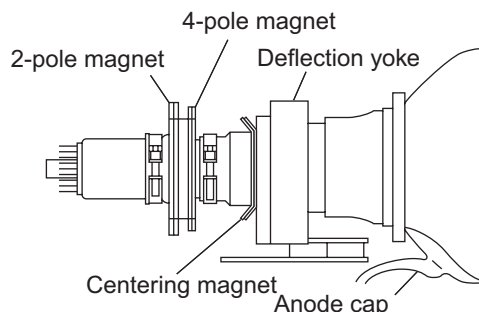
1. Select VIDEO-1 mode no signal applied (the screen must be black).
2. Connect the G2 JIG.
3. SW on JIG.
4. Connect an oscilloscope to the TP9101(KR), TP9201(KG) and TP9301(KB) of CR board, CG board, and CB board.
5. Adjust red, green, and blue screen voltage to  $177.5 \pm 0.5V$  with screen VR on the focus block.



### 2-3. DEFLECTION YOKE TILT ADJUSTMENT

1. Connect the color bar generator monoscope patter to Video 1 input.
  2. Cover the red and blue CRT lenses with lens caps to allow only green to show (or use the method shown in the note below for turning off the CRTs individually without using lens caps).
  3. Loosen the CRT's deflection yoke set screw and align the tilt of the deflection yoke so that the horizontal bars at the center of the cross-hatch pattern are parallel to the top and bottom edges of the screen.
  4. After aligning the deflection yoke fasten it securely to the funnel-shaped portion (neck) of the CRT.
  5. Cover the green and blue CRT lenses with lens caps to allow only green to show (or use the method shown in the note below for turning off the CRTs individually without using lens caps), then repeat steps 3 and 4 for the red CRT.
- Cover the green and red CRT lenses with lens caps to allow only green to show (or use the method shown in the note below for turning off the CRTs individually without using lens caps), then repeat steps 3 and 4 for the blue CRT.

**Note:** If lens caps are unavailable, you can cut off the unnecessary color beams by controlling the service mode 2170P-2 RGBS.

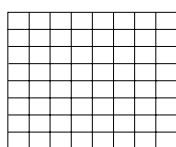


## 2-4. FOCUS LENS ADJUSTMENT

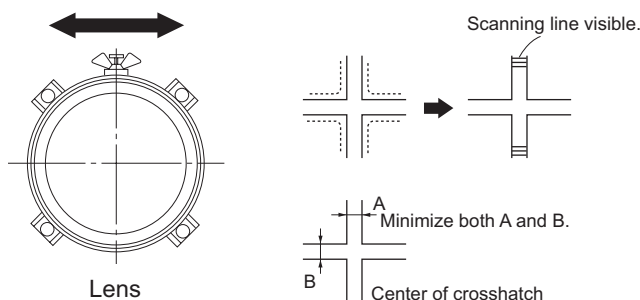
In this adjustment, use the remote commander while in service mode.  
For details on the usage of the service mode and the remote commander, please refer to section 2-10. ELECTRICAL ADJUSTMENTS BY REMOTE COMMANDER.

1. Loosen the lens screw.
2. Cover the red and blue CRT lenses with lens caps to allow only green to show (or use the method shown in the note below for turning off the CRTs individually without using lens caps).
3. Turn the green lens to adjust to the optimum focus point with the crosshatch signal.
4. Tighten the lens screw.
5. Cover the green and blue CRT lenses with the lens caps to allow only red to show (or use the method shown in the note below for turning off the CRTs individually without using lens caps).
6. Turn the red lens to adjust to the optimum focus point with the crosshatch signal.
7. Tighten the lens screw.
8. Cover the green and red CRT lenses with the lens caps to allow only blue to show (or use the method shown in the note below for turning off the CRTs individually without using lens caps).
9. Turn the blue lens to adjust to the optimum focus point with the crosshatch signal.
10. Tighten the lens screw.
11. After adjusting the items:
  - 2-5. FOCUS VR ADJUSTMENT,
  - 2-6. 2-POLE MAGNET ADJUSTMENT,
  - 2-8. 4-POLE MAGNET ADJUSTMENT,
 reconfirm the optimum focus point and adjust again if necessary.

\* In PJE mode, every time 6 is pressed, the test signal changes to:  
"crosshatch+video signal" → "crosshatch+borderline(black)" →  
"crosshatch(black)" → "dots(black)" → off



Test Signal

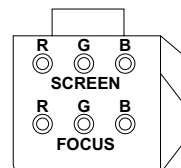


**Note:** If lens caps are unavailable, you can cut off the unnecessary color beams by controlling the service mode 2170P-2 1 RGBS.

## 2-5. FOCUS VR ADJUSTMENT

1. Set generator to crosshatch.
2. Cover the red and blue CRT lenses with lens caps to allow only green to show (or use the method shown in the note below for turning off the CRTs individually without using lens caps).
3. Turn the green focus VR on the focus block to adjust to the optimum focus point with the crosshatch signal.
4. Cover the green and blue picture lenses with lens caps to allow only red to show (or use the method shown in the note below for turning off the CRTs individually without using lens caps).
5. Turn the red focus VR on the focus block to adjust to the optimum focus point with the crosshatch signal.
6. Cover the green and red picture lenses with lens caps to allow only blue to show (or use the method shown in the note below for turning off the CRTs individually without using lens caps).
7. Turn the blue focus VR on the focus block to adjust to the optimum focus point with the crosshatch signal.
8. After adjusting the items:
  - 2-4. FOCUS LENS ADJUSTMENT,
  - 2-6. 2-POLE MAGNET ADJUSTMENT,
  - 2-8. 4-POLE MAGNET ADJUSTMENT,
 reconfirm the optimum focus point and adjust again if necessary.

**Note:** If lens caps are unavailable, you can cut off the unnecessary color beams by controlling the service mode 2170P-2 1 RGBS.

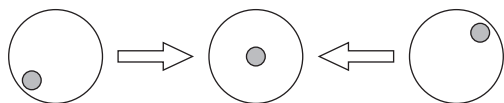


FOCUS Block

## 2-6. 2-POLE MAGNET ADJUSTMENT

1. Set the picture mode to PRO and picture to MAX.
2. Receive the Dot signal.
3. Cover the red and blue CRT lenses with lens caps to allow only green to show (or use the method shown in the note below for turning off the CRTs individually without using lens caps).
4. Turn the green focus VR on the focus block to the left (counter clockwise) and set it to overfocus to enlarge the spot.
5. Adjust the green CRT's 2-pole magnet so that the small bright spot is in the center.
6. Align the green focus VR on the focus block and set it for the best focus.
7. Repeat steps 1 through 6 for the red CRT except now you will cover the green and blue CRT lenses with lens caps to allow only red to show (or use the method shown in the note below for turning off the CRTs individually without using lens caps) and you will adjust the red focus control on the focus block.
8. Repeat steps 1 through 6 for the blue CRT except now you will cover the red and green CRT lenses with lens caps to allow only blue to show (or use the method shown in the note below for turning off the CRTs individually without using lens caps) and you will adjust the blue focus control on the focus block.

**Note:** If lens caps are unavailable, you can cut off the unnecessary color beams by controlling the service mode 2170P-2 1 RGBS.



## 2-7. CENTERING MAGNET ADJUSTMENT

1. Set the picture mode to PRO.
2. Receive the monoscope signal.
3. Cover the red and blue CRT lenses with lens caps to allow only green to show (or use the method shown in the note below for turning off the CRTs individually without using lens caps).
4. Adjust the green CRT's centering magnet to put the center of the monoscope signal to the center of the screen.
5. Repeat steps 1 through 4 for the red CRT except now you will cover the green and blue CRT lenses with lens caps to allow only red to show (or use the method shown in the note below for turning off the CRTs individually without using lens caps) and you will adjust the red centering magnet.
6. Repeat steps 1 through 4 for the blue CRT except now you will cover the red and green CRT lenses with lens caps to allow only blue to show (or use the method shown in the note below for turning off the CRTs individually without using lens caps) and you will adjust the blue centering magnet.

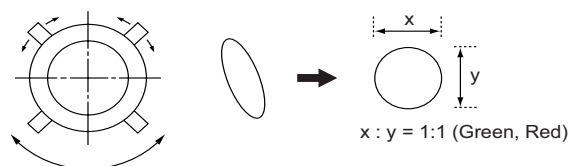
**Note:** If lens caps are unavailable, you can cut off the unnecessary color beams by controlling the service mode 2170P-2 1 RGBS.

## 2-8. 4-POLE MAGNET ADJUSTMENT

1. Set the picture mode to PRO and picture to MAX.
2. Receive the Dot signal.
3. Cover the red and blue CRT lenses with lens caps to allow only green to show (or use the method shown in the note below for turning off the CRTs individually without using lens caps).
4. Turn the (green) focus VR on the focus block to the right (clockwise) and set it to under-focus to reduce the spot.
5. Adjust the 4-pole magnet so that the small spot in the center of the screen becomes round for green and red.
6. Adjust the blue spot to an oval shape X:Y=1:1.2
7. Repeat steps 1 through 6 for the red CRT except now you will cover the green and blue CRT lenses with lens caps to allow only red to show (or use the method shown in the note below for turning off the CRTs individually without using lens caps) and you will adjust the red focus control on the focus block.
8. Repeat steps 1 through 6 for the blue CRT except now you will cover the red and green CRT lenses with lens caps to allow only blue to show (or use the method shown in the note below for turning off the CRTs individually without using lens caps) and you will adjust the blue focus control on the focus block.

**Note:** If lens caps are unavailable, you can cut off the unnecessary color beams by controlling the service mode 2170P-2 1 RGBS.

Use the center dot



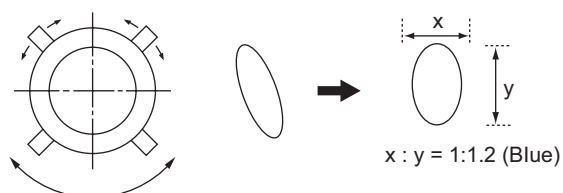
## 2-9. DEFOCUS ADJUSTMENT (BLUE)

**Note:** Adjust the blue dot to be slightly larger than red and green dots. This adjustment provides a more pleasing picture to the customer.

1. Set the picture mode to PRO.
2. Receive the Dot signal.
3. Cover the red and green CRT lenses with lens caps to allow only blue to show (or use the method shown in the note below for turning off the CRTs individually without using lens caps).
4. Turn the blue focus VR on the focus block to the right (clockwise) to make the round dot elliptical.
5. Check the flare with a high luminance signal to make sure the flare is minimal while the dot shape is elliptical.
6. Set the generator to an all white signal and check uniformity.

**Note:** If lens caps are unavailable, you can cut off the unnecessary color beams by controlling the service mode 2170P-2 1 RGBS.

Use the center dot



## 2-10.ELECTRICAL ADJUSTMENTS BY REMOTE COMMANDER

All of the circuit adjustments can be made by using the remote commander (RM-Y188).

**NOTE :** The following test equipment is required:

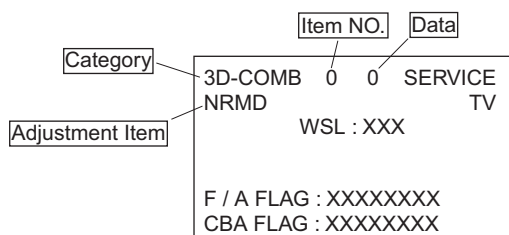
1. Pattern Generator (with component outputs)
2. Frequency counter
3. Digital multimeter
4. Audio oscillator

### 2-10-1.METHOD OF ENTERING THE SERVICE ADJUSTMENT MODE

#### SERVICE MODE PROCEDURE

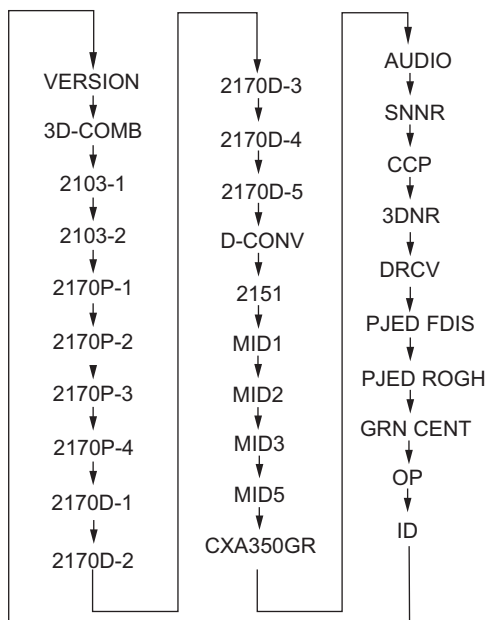
1. TV must be in Standby mode. (Power off)
2. Press "DISPLAY", "5", "VOL +", then "POWER" on the remote commander.  
(Press each button within 1 second of pressing the previous button.)

#### SERVICE MODE ADJUSTMENT



3. The screen displays the item being adjusted within that category.
4. Press 1 or 4 on the remote commander to select the adjustment item
5. Press 3 or 6 on the remote commander to change the data
6. Press 2 or 5 on the remote commander to select the adjustment category

Every time you press 2(Category up), service mode changes in the order shown below:



7. If you want to go back to the most recently saved value, press "0" then "ENTER" to read the memory.
8. Press "MUTING" then "ENTER" to write the new adjustment data into memory.
9. Turn power off when you want to exit the service mode.

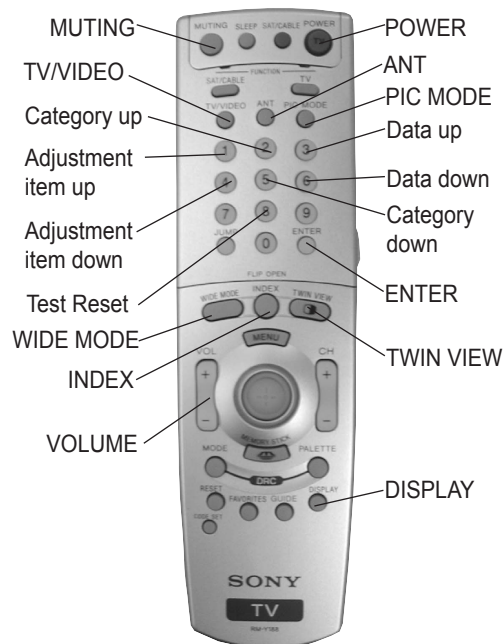
**Note:** Press "8" then "ENTER" on the remote commander to restore the factory settings for user controls and channel memories (this will also turn set off and then on to exit the service mode).

### 2-10-2.MEMORY WRITE CONFIRMATION METHOD

1. After adjustment, turn the power off with the remote commander.
2. Turn the power ON and set to service mode.
3. Cycle through the adjusted items again and confirm that the adjustments were saved.

### 2-10-3.ADJUSTING BUTTONS AND INDICATOR

**Note:** When the PJE mode (which displays an internally generated signal) is activated, several buttons on the remote commander will have different functions than the ones listed below. Therefore, when in the PJE mode, refer to section 2-12-3 for button functions.



RM-Y188

2-11 SERVICE DATA LISTS

CATEGORY	#	ITEM	DESCRIPTION	DATA									
VERSION	0	VER	Software version display	0									
	1	DMY1		255									
3DCOMB	0	NRMD	Noise Reduction Mode	0									
	1	CLKS	Forced Clock System	1									
	2	NSDS	Non-Standard/Standard Signal Processing	0									
	3	MSS	Frame / Line Processing	0									
	4	KILS	Color Killer Setting	1									
	5	FRZE	External Memory Test Bit	0									
	6	EXCS	External C Sync Input (CSI Pin)	1									
	7	CDL	C Signal Output Delay	3									
	8	DYCO	Y Motion Detection Coring	NRMD = 0	2	NRMD = 1	2	NRMD = 2	2	NRMD = 3	2		
	9	DYGA	Y Motion Detection Gain	NRMD = 0	10	NRMD = 1	10	NRMD = 2	10	NRMD = 3	10		
	10	DCCO	C Motion Detection Coring	NRMD = 0	5	NRMD = 1	5	NRMD = 2	5	NRMD = 3	5		
	11	DCGA	C Motion Detection Gain	NRMD = 0	5	NRMD = 1	5	NRMD = 2	5	NRMD = 3	5		
	12	WSC	Noise Detection Amount	1									
	13	WSS	Noise Detection Pre-Filter Type	0									
	14	VAPG	Vertical Aperture Gain	Vivid	0	Standard	0	Movie	0	Pro	0		
	15	VAPI	Vertical Aperture Convergence Point	Vivid	0	Standard	0	Movie	0	Pro	0		
	16	TEST	Test Bit	0									
	17	YPFT	Y Peaking BPF Center Frequency	RF	Vivid	3	Standard	3	Movie	3	Pro	3	
				V1-V4	Vivid	3	Standard	3	Movie	3	Pro	3	
				Twin	3								
	18	YPFG	Y Peaking BPF Gain	RF	Vivid	7	Standard	7	Movie	5	Pro	5	
				V1-V4	Vivid	5	Standard	5	Movie (WV600, ♥)	6	Pro	5	
				Twin	7								
	19	SEDC	C Detection High-Freq Sensitivity	0									
20	SEDY	Y Detection Low-Freq Sensitivity	1										
21	YHCO	Y Output High-Freq Coring	WV700 ♥ 2										
			WV600 ♥ 3										
22	YHCG	Y Output High-Freq Gain	0										
23	SYSP	System Power-down Mode	0										
24	TES2	Test Bits	0										



**SERVICE DATA LISTS**

CATEGORY	#	ITEM	DESCRIPTION	DATA											
CXA2103-1 Main YCT	0	YLEV	Y-out input/output gain	RF, V1-V4	17	Others	♣	16							
	1	CLEV	CbCr input/output gain	RF, V1-V4	15	Others	♣	21							
	2	SCON	Sub Contrast	V1-V4	♣	9	Others	♠	9						
	3	SCOL	Sub Color	V1-V4	♣	2	Others	♠	2						
	4	SHUE	Sub Hue	V1-V4	♣	5	Others	♠	11						
	5	YDLY	Y/C Delay	V1-V4		0	Others		0						
	6	SHAP	Sharpness level	V1-V4 (WV600)	♥	11	V5, V6 (480i)	4	V7 (480i)	4	Others (WV600)	♥	11		
				V1-V4 (WV700)	♥	8					Others (WV700)	♥	6		
	7	SHF0	Sharpness f0	V1-V4		0	V5, V6 (480i)	3	V7 (480i)	3	Others		0		
	8	PREO	Sharpness preshoot:overshoot ratio	V1-V4		3	V5, V6 (480i)	3	V7 (480i)	3	Others		3		
	9	BPF0	Chroma band-pass filter f0 setting		3										
	10	BPFQ	Chroma band-pass filter Q setting		0										
	11	BPSW	Chroma band-pass filter ON/OFF	V1-V4		0	Others		1						
	12	TRAP	Y block chroma trap ON/OFF		0										
	13	LPF	YCbCr output low-pass filter ON/OFF		1										
	14	AFCG	H block PLL loop gain	V1-V4		0	RF		1	Others		0			
	15	CDMD	V countdown system mode	V1-V4		3	RF		3	Others		3			
	16	SSMD	Sync separation circuit	V1-V4		0	RF		0	Others		0	No Signal / Blanking	3	
	17	HMSK	Macrovision signal masking ON/OFF	V1-V4		1	V5, V6 (480i)	1	V7 (480i)	0	Others		1		
	18	HALI	H automatic adjustment function		0										
	19	PPHA	Video and H TIM phase adjustment	V1-V4		7	V5, V6	7	V7 (480i)	7	Others		7		
	20	CBO1	Cb offset of Cb IN (pin 34) input	V5, V6 (480i)		36	Others		34						
	21	CRO1	Cr offset of Cr IN (pin 35) input	V5, V6 (480i)		38	Others		32						
	22	CBO2	Cb offset of DVI Cb (Pin 38) input		25										
	23	CRO2	Cr offset of the DVI Cr (Pin 39) input		27										
24	ATPD	Auto-Pedestal Point (Data is applied to 2103-2 also)	Single Picture		0	Twin: 2170P-4:BLK = 0		0	Twin ♥ 2170P-4:BLK = 1	1	3	Twin 2170P-4:BLK = 2	0	Twin 2170P-4:BLK = 3	0
25	DCTR	DC transmission ratio (Data is applied to 2103-2 also)	Single Picture		0	Twin 2170P-4:BLK = 0		0	Twin ♥ 2170P-4:BLK = 1	2	3	Twin 2170P-4:BLK = 2	0	Twin 2170P-4:BLK = 3	0
CXA2103-2 Sub-YCT	0	YLEV	Y-out input/output gain	DRC*	♣	14	VDO*		45						
	1	CLEV	CbCr input/output gain	DRC*	♣	7	VDO*		25						
	2	SCON	Sub Contrast	V1-V4**	♣	9	Others**	♠	9						
	3	SCOL	Sub Color	V1-V4**	♣	2	Others**	♠	2						
	4	SHUE	Sub Hue	V1-V4**	♣	5	Others**	♠	11						
	5	YDLY	Y/C Delay	V1-V4**		0	Others**		0						
	6	SHAP	Sharpness level	V1-V4**		6	Others**		6						
	7	SHF0	Sharpness f0	V1-V4**		0	Others**		0						
	8	PREO	Sharpness preshoot:overshoot ratio	V1-V4**		3	Others**		3						
	9	BPF0	Chroma band-pass filter f0 setting		3										
	10	BPFQ	Chroma band-pass filter Q setting		0										
	11	BPSW	Chroma band-pass filter ON/OFF	V1-V4**		0	Others**		0						
	12	TRAP	Y block chroma trap ON/OFF		0										
	13	LPF	YCbCr output low-pass filter ON/OFF	DRC*		0	VDO*		0						
	14	AFCG	H block PLL loop gain	V1-V4**		0	Others**		1						
	15	CDMD	V countdown system mode	V1-V4**		3	Others**		3						
	16	SSMD	Sync separation circuit	V1-V4**		0	Others**		0						
17	HMSK	Macrovision signal masking ON/OFF	V1-V4**		1	Others**		0							
18	HALI	H auto adjustment function		0											
19	PPHA	Video and H TIM phase adjustment	V1-V4**		7	Others**		7							
20	CBO1	Cb offset of Cb IN (pin 34) input		29											
21	CRO1	Cr offset of Cr IN (pin 35) input		26											

- ♣ Adjustable - M Board CBA
- ♦ Adjustable - B Board CBA
- ♠ Adjustable - On Line (STD LIST)

♥ WV600 and WV700 are different

\* DRC - Left picture of twin view is 480P, 720P, or 1080i input  
 \* VDO - Left picture of twin view is 480i input  
 \*\* Refers to the right picture of twin view

- ♣ Adjustable - M Board CBA
- ♦ Adjustable - B Board CBA
- ♠ Adjustable - On Line (STD LIST)

**SERVICE DATA LISTS**

CATEGORY	#	ITEM	DESCRIPTION	DATA									
				RF, V1-4	480i	480P	720P	1080i	480P	VGA	720P	1080i	MS
CXA2170P-1	0	YOSW	Y Offset Switch	1 480i (V5, V6)   0  HD (V5,V6)   0 MS   0 V7   1									
	1	TCOF		0									
				RF, V1-V4	V5-7 480i	V5/V6			V7				MS
	2	YOF	Y offset	0	15	7	7	7	0	0	7		
	3	CBOF	Cb offset	44 ▲	44	44	47	44	40	41	34		
	4	CROF	Cr offset	44 ▲	44	44	47	44	42	42	34		
	5	SBRT	SUB brightness	Neutral Temp ▲	20	*SBRT is offset from adjust point (57WV700: +4, 65WV700: +6, 57WV600: +6, 65WV600: +4)							
	6	RDRV	R drive gain	Neutral Temp ▲	45								
	7	GDRV	G drive gain	Neutral Temp	30								
	8	BDRV	B drive gain	Neutral Temp ▲	34								
	9	RCUT	R cut-off	Neutral Temp ▲	41								
	10	GCUT	G cut-off	Neutral Temp	41								
	11	BCUT	B cut-off	Neutral Temp ▲	35								
	12	WBSW	White balance offset	Warm Temp	0	Cool Temp	0	Neutral Temp	0				
	13	SBOF	Sub brightness offset-ColorTemp.	Warm Temp	7	Cool Temp	7						
	14	RDOF	RDRV offset	Warm Temp	34	Cool Temp	34						
	15	GDOF	GDRV offset	Warm Temp	31	Cool Temp	31						
	16	BDOF	BDRV offset	Warm Temp	25	Cool Temp	34						
	17	RCOF	RCUT offset	Warm Temp	33	Cool Temp	32						
	18	GCOF	GCUT offset	Warm Temp	31	Cool Temp	31						
19	BCOF	BCUT offset	Warm Temp	27	Cool Temp	45							
20	DCOL	Dynamic Color for Cool	Cool Temp	2	Others	0							
CXA2170P-2	0	PICO	Picture+Ref.pulse on/off for G2 adj.	1									
	1	RGBS	RGB CRT ON/OFF combinations	7									
	2	BLKB	Bottom limiter level	0									
	3	RGBL	RGB limmiter level	2									
	4	YLMT	Y limiter level	2									
	5	AGNG	Black/White aging	0									
	6	AKBO	AKB on/off	0									
	7	CLPP	Clamp pulse phase	3									
	8	CLPG	Clamp gate on/off	0									
	9	CLPS	Clamp pulse start timing shift	0									
	10	PPAD	Picture Position	3									
	11	SYNP		0									
12	HVBT		0										

\* DRC - any 480i signal  
\* HD / VDO - any non-480i signal

♣	Adjustable - M Board CBA
◆	Adjustable - B Board CBA
▲	Adjustable - On Line (STD LIST)

**SERVICE DATA LISTS**

CATEGORY	#	ITEM	DESCRIPTION	DATA														
				RF	V1-V4	V5,V6				V7				MS Play	MS Menu	Twin		
						480i	480P	1080i	720P	480i	480P	1080i	720P				VGA	
CXA2170P-3																		
WV600 Data	0	SYSM	Selects the signal bandwidth [0:NTSC, 1:FF, 2:HD, 3:DTV]	Vivid	1	1	1	1	3	3	1	1	3	3	1	3	3	2
				Standard	1	1	1	1	3	3	1	1	3	3		3	3	2
				Movie	1	1	1	1	3	3	1	1	3	3		3	3	2
				Pro	1	2	1	1	3	3	1	1	3	3		3	3	2
	1	VMLV	VM output level	7														
	2	VMCR	VM output coring level	Vivid	1	1	1	1	0	0	1	1	0	0	0	0	3	1
				Standard	1	1	1	1	0	0	1	1	0	0		0	3	1
				Movie	1	1	1	1	0	0	1	1	0	0		0	3	1
				Pro	1	1	1	1	0	0	1	1	0	0		0	3	1
	3	VMLM	VM limiter level	Vivid	0	0	0	0	0	0	0	0	0	0	0	0	0	0
				Standard	0	0	0	0	0	0	0	0	0	0		0	0	0
				Movie	0	0	0	0	0	0	0	0	0	0		0	0	0
				Pro	0	0	0	0	0	0	0	0	0	0		0	0	0
	4	VMF0	VM output center frequency	Vivid	0	0	1	1	2	2	1	1	2	2	2	2	2	0
				Standard	0	0	1	1	2	2	1	1	2	2		2	2	0
				Movie	2	2	2	2	2	2	2	2	2	2		2	2	2
				Pro	2	0	2	2	2	2	2	2	2	2		2	2	2
				Vivid	15	15	11	11	10	10	11	11	10	10		8	10	10
	Standard	15	15	11	11	10	10	11	11	10	10	10	10	15				
	Movie	8	8	8	8	10	10	8	8	10	10	10	10	8				
Pro	8	15	8	8	10	10	8	8	10	10	10	10	8					
6	SHOF	Sharpness gain	Vivid	0	1	2	0	2	2	2	0	2	2	0	2		0	0
			Standard	0	1	1	1	2	2	1	1	2	2		2	0	0	
			Movie	1	1	1	1	1	1	1	1	1	1		1	0	1	
			Pro	0	0	0	0	0	0	0	0	0	0		0	0	0	
			Vivid	1	1	1	1	1	1	1	1	1	1		1	1	1	1
Standard	1	1	1	1	1	1	1	1	1	1	1	1	1					
Movie	1	1	1	1	1	1	1	1	1	1	1	1	1					
Pro	1	1	1	1	1	1	1	1	1	1	1	1	1					
8	PROV	Pre-shoot / Over-shoot ratio	Vivid	3	3	3	3	3	3	3	3	3	3	3	3	3	2	
			Standard	3	3	3	3	3	3	3	3	3	3		3	2		
			Movie	3	3	3	3	3	3	3	3	3	3		3	2		
			Pro	3	3	3	3	3	3	3	3	3	3		3	2		

♥ WV600 and WV700 are different

● 65WV600 and 57WV600 different

SERVICE DATA LISTS

CATEGORY	#	ITEM	DESCRIPTION	RF	V1-V4	V5,V6				V7				VGA	MS Play	MS Menu	Twin			
						480i	480P	1080i	720P	480i	480P	1080i	720P							
CXA2170P-3	9	F1LV	Sharpness f1	Vivid	0	0	0	0	3	3	0	0	3	3	0	3	0	0		
				Standard	0	0	0	0	3	3	0	0	3	3		3	0	0		
				Movie	0	0	0	0	3	3	0	0	3	3		3	3	0	0	
				Pro	0	0	0	0	3	3	0	0	3	3		3	3	3	0	0
	10	LTLV	LTI level	Vivid	3	3	3	3	3	3	3	3	3	3	3	0	3	3	3	
				Standard	2	2	3	3	3	3	3	3	3	3	3		3	3	3	
				Movie	1	1	1	1	1	1	1	1	1	1	1		1	1	1	1
				Pro	0	0	0	0	0	0	0	0	0	0	0		0	0	0	0
	11	LTMD	LTI mode [0:for B&W, 1:for Black]	Vivid	1	1	1	1	1	1	1	1	1	1	1	0	1	1	0	
				Standard	1	1	1	1	1	1	1	1	1	1	1		1	1	1	0
				Movie	0	0	0	0	0	0	0	0	0	0	0		0	0	0	0
				Pro	1	1	1	1	1	1	1	1	1	1	1		1	1	1	1
	12	CTLV	CTI level [0:Off, 1:Low, 2:Mid, 3:High]	Vivid	0	0	0	0	0	0	0	0	0	0	0	0	0	0	0	
				Standard	0	0	0	0	0	0	0	0	0	0	0		0	0	0	0
				Movie	0	0	0	0	0	0	0	0	0	0	0		0	0	0	0
				Pro	0	0	0	0	0	0	0	0	0	0	0		0	0	0	0
	13	UBOF	User brightness offset  BRIGHT=BRIGHT+UBOF*2	Vivid	4	2	4	4	2	2	4	4	2	2	3	2	2	4		
				Standard	1	1	2	3	4	4	2	3	4	4		4	4	4	7	
				Movie	0	0	3	3	3	3	3	3	3	3		3	3	3	2	
				Pro	0	0	3	3	3	3	3	3	3	3		3	3	3	4	
	14	UCOF	User color offset  COLOR=COLOR+UCOF*2	Vivid	3	3	3	1	1	1	3	1	1	1	0	1	1	1		
				Standard	1	2	1	1	0	0	0	1	1	0		0	0	0	0	
				Movie	0	0	0	0	0	0	0	0	0	0		0	0	0	0	
				Pro	0	0	0	0	0	0	0	0	0	0		0	0	0	0	
	15	UHOF	User hue offset  [0:HUE+0, 1:HUE+1, 2:HUE+2, 3:HUE+3]	Vivid	2	3	3	2	2	2	3	2	2	2	0	1	1	2		
Standard				1	0	1	0	1	1	1	0	1	1	1		1	1	0		
Movie				0	0	0	0	0	0	0	0	0	0	0		0	0	0		
Pro				0	0	0	0	0	0	0	0	0	0	0		0	0	0		
16	MIDE	MID Enhancement setting table	Vivid	7	12	17	22	27	32	17	22	27	32	1	27	27	57			
			Standard	5	11	16	21	26	31	16	21	26	31		26	26	56			
			Movie	3	10	15	24	25	30	15	24	25	30		25	25	55			
			Pro	0	8	13	18	23	28	13	18	23	28		23	23	53			
17	VM	Initial VM [0:off, 1:Low, 2:Mid, 3:High]	Vivid	3	Standard	3	Movie	2	Pro	0										
18	VM_H	VM high level assignment	Vivid	15	Standard	15	Movie	12	Pro	15										
19	VM_M	VM mid level assignment	Vivid	10	Standard	10	Movie	8	Pro	10										
20	VM_L	VM low level assignment	Vivid	5	Standard	5	Movie	4	Pro	5										
21	VGAP			5																
22	VGAS			0																
23	VGAB			0																
24	VGAC			0																
25	VGAV			5																

♥ WV600 and WV700 are different  
● 65WV600 and 57WV600 different

**SERVICE DATA LISTS**

CATEGORY	#	ITEM	DESCRIPTION	DATA														
				MS	0 Others			1		15		15		MS		0		
CXA2170P-4	0	YCON	Y signal gain	MS	0 Others			1		15		15		MS		0		
	1	SPIC	Sub picture	RF, V1-4, 480i(V5, V6)	14	HD* (V5,V6)		15		HD (V7)		15		MS		0		
	2	SCOL	Sub color adjustment	RF, V1-4, 480i(V5, V6) ◆	34	HD* (V5,V6) ◆		36		HD (V7) ◆		34		MS ◆		31		
	3	SHUE	Sub HUE adjustment	RF, V1-4, 480i(V5, V6) ◆	30	HD* (V5,V6) ◆		30		HD (V7) ◆		30		MS ◆		30		
	4	SPIO	Sub picture offset	7 ▲														
	5	SCLO	Sub color offset	7 ▲														
	6	SHUO	Sub HUE offset	7 ▲														
	7	UPIC	User Picture gain	Vivid	63	Standard		50 47		Movie		20 18		Pro		31		
	8	UBRT	User Brightness	Vivid	28 19	Standard		36 31		Movie		34 31		Pro		31		
	9	UCOL	User Color	Vivid	33	Standard		31		Movie		33		Pro		31		
	10	UHUE	User Hue	Vivid	31	Standard		31		Movie		31		Pro		31		
	11	USHP	User Sharpness	Vivid	29 25	Standard		29		Movie		23		Pro		31		
	12	UTMP	User Color Temp [0:Low, 1:Mid, 2:High, 3:Inhibit]	Vivid	2	Standard		1		Movie		0		Pro		1		
	13	R-YR	R-Y/R	8														
	14	R-YB	R-Y/B	15														
	15	G-YR	G-Y/R	9	RF	V5,V6				V7				MS	MS			
	16	G-YB	G-Y/B	6		V1-V4	480i	480P	1080i	720P	480i	480P	1080i	720P	VGA	Play	Menu	Twin
17	GAMM	Initial Gamma [0:Weak, 3:Strong]	Vivid	3	3	3	3	3	3	3	3	3	3		3	3	3	
Standard			2	2	2	2	2	2	2	2	2	2	2		2	2	2	
Movie			1	1	1	1	1	1	1	1	1	1	1	1		1	1	1
Pro			0	0	0	0	0	0	0	0	0	0	0	0	0	0	0	0
18	GAMS	GAM shape	GAMM = 0	0	GAMM = 1	7	GAMM = 2	7	GAMM = 3	7								
19	GAMR	R output gamma	GAMM = 0	0	GAMM = 1	6 4	GAMM = 2	4 3	GAMM = 3	9 7								
20	GAMG	G output gamma	GAMM = 0	0	GAMM = 1	6 4	GAMM = 2	4 3	GAMM = 3	9 7								
21	GAMB	B output gamma	GAMM = 0	0	GAMM = 1	6 4	GAMM = 2	4 3	GAMM = 3	9 7								
22	BLK	Initial black level	Vivid	3	3	3	3	3	3	3	3	3	3		3	3	1	
Standard			2	1	1	1	1	1	1	1	1	1	1		2	2		
Movie			0	0	0	0	0	0	0	0	0	0	0	0		0	0	0
Pro			0	0	0	0	0	0	0	0	0	0	0	0	0	0	0	0
23	DCTR	DC tran ratio	BLK = 0	0	BLK = 1	5 10	BLK = 2	8	BLK = 3	8 15								
24	APED	Auto pedestal level	BLK = 0	0	BLK = 1	1 2	BLK = 2	1	BLK = 3	3								
25	DSBO	Sub bright offset for UBLK [0:-7step, 15:+8st]	BLK = 0	7	BLK = 1	7	BLK = 2	7	BLK = 3	7								
26	IDSW	ID Switch	0															
27	ABLM	ABL mode	BLK = 0	0	BLK = 1	0	BLK = 2	1	BLK = 3	1								
28	ABLT	ABL threshold voltage	Single Picture	8	Others	8												
29	SPOF	Picture offset for Twin, Freeze, & Norm.	0															
30	DPSQ	Auto Pedestal black size inflection setting	BLK = 0	0	BLK = 1	0	BLK = 2	0	BLK = 3	0								
31	LRGB	Picture gain control for LRGB (OSD RGB)	0															

\*HD = 480P, 720P, 1080i

- ♣ Adjustable - M Board CBA
- ◆ Adjustable - B Board CBA
- ▲ Adjustable - On Line (STD LIST)
- ▼ WV600 and WV700 are different

**SERVICE DATA LISTS**

CATEGORY	#	ITEM	DESCRIPTION	480P/960i			540P/1080i		
				WideZoom	Zoom	Full (Fav,Scroll)	Normal	Full (Twin, MS)	
CXA2170D-1	0	VPOS	Vertical Position	25 ▲					
	1	VSIZ	Vertical Size	31 ▲					
	2	VSZO	V Size offset (PJ only)	0					≈0
	3	VLIN	Vertical Linearity	5	5				
	4	VSCO	Vertical S-Correction	10	8				
	5	VCEN	Vertical Center	31					
	6	VPIN	Vertical Pin	15*			15	15*	
	7	MVPN	Vertical Middle Pin	0					
	8	NSCO	Rotation	31					
	9	HTPZ	Horizontal Trapezoid	15					
	10	MHTZ	Middle Horizontal Trapezoid	0					
	11	ZOOM	Zoom Switch	1	1	0			
	12	APSW	Aspect Switch	1	1	1	1	0	
	13	ASPT	Aspect Ratio	24	49	5	5	3	
	14	SCRL	Vertical Scroll	29	29	29	29	29	
	15	UVLN	Upper Vertical Linearity	4	0				
16	LVLN	Lower Vertical Linearity	4	0					
CXA2170D-2	0	HCNT	Shading DC	19					
	1	HPOS	Horizontal Position	23				23	
	2	HSIZ	Horizontal Size	31 ▲	31 ▲				
	3	SLIN	Blue Offset DC	9 ▲	9 ▲				
	4	MPIN	Blue Offset Para-Amp	0	0				
	5	PIN	Horizontal Pin	10	10				
	6	PINO	Pin Off-Set (PJ only)	7	7	7	7	7	
	7	UCP	Upper Corner Pin	31	31				
	8	LCP	Lower Corner Pin	31	31				
	9	UXCG	Upper Extra Corner Pin Gain	0					
	10	LXCG	Lower Extra Corner Pin Gain	0					
	11	UXCP	Upper Extra Corner Pin Position	2					
	12	LXCP	Lower Extra Corner Pin Position	2					
	13	XCPP	Extra Corner Pin Polarity	0					
	14	PPHA	Pin Phase	31	31				
	15	VANG	AFC Angle	31					
	16	LANG	Shading Phase	31					
	17	VBOW	AFC Bow	31					
18	LBOW	Shading Para Amp	48						

♣	Adjustable - M Board CBA
♦	Adjustable - B Board CBA
▲	Adjustable - On Line (STD LIST)

\* This data resides in the same location in NVM.

**SERVICE DATA LISTS**

CATEGORY	#	ITEM	DESCRIPTION	480P/960i			540P/1080i			
				WideZoom	Zoom	Full (Fav,Scroll)	Normal	Full (Twin, MS)		
CXA2170D-3	0	HBLK	Horizontal Blanking Switch	1						
	1	LBLK	Left Blanking	56					56	
	2	RBLK	Right Blanking	25					25	
	3	VBLK	Vertical Blanking Switch	0	0	1*	1	1*		
	4	TBLK	Top Blanking	7	7	4	4	4		
	5	BBLK	Bottom Blanking	7	7	8	8	6		
	6	AFCM	AFC Loop Gain	3					3	
	7	JUMP	Reference Pulse Jump Switch	0*					0*	
	8	VDJP	Vertical Drive Jump Switch	1	1	1		1		
	9	VDST	Vertical Drive Start Switch	0					0	
10	AKBT	AKB Timing	9	9	9		9			
CXA2170D-4	0	QPAM	DQP amplitude LEVEL	17					17*	
	1	QPAV	DQP amplitude VERTICAL MODULATION	31					31*	
	2	QPAP	DQP amplitude TILT	7					7*	
	3	QPDC	DQP DC level	20					20*	
	4	QPDV	DQP DC level VERTICAL MODULATION	60					60	
	5	QPDP	DQP DC level TILT	7					7*	
	6	CPY1	COPY FUNCTION (Full to Vcomp/normal)	0						
	7	DF	DF phase	31						
	8	DQP	DQP phase	31						
9	DHMT	DH Board Mute	0							
CXA2170D-5	0	VFRQ	Vertical Frequency	1						
	1	VON	Vertical Drive On Switch	1						
	2	EWDC	Pin DC Level Shift	0						
	3	MS15	FH=15K @ MS Mode	0						
	4	HFRQ	Fh setting @multi-scan	80						
	5	HFRX	Reciprocal Fh @mult-scan	25						
	6	VMPS	Vertical Mult-scan Mode	0						
	7	INTR	Free-run Interlace Setting	0						
	8	VLNL	Vertical # of Lines (L)	0						
	9	VLNH	Vertical # of Lines (H)	0						
10	AGCS	Vertical AGC Mode	0							
CXA2171	0	MTRX	Matrix	FRGB = 1	3 V5,V6,V7, no sync	1 Others	0			
	1	GAIN	Output gain for Video	0						
	2	FIXS	SYNC type	V5/V6 (480p, 720p, 1080i, No Sync)			0 V7 (480p, VGA, 720p, 1080i, No Sync)	0	Others	0
	3	CBGN	Output gain for Cb	5 ♣						
	4	CRGN	Output gain for Cr	5 ♣						
	5	YGN	Output gain for Y	5 ♣						
	6	VTC	V SYNC sep. time constant	0						
	7	HTC	H SYNC sep. time constant	Tri-level sync	0 Others	1				
	8	HWID	H SYNC width	1						
	9	HSEP	SYNC sep. type	1						
	10	HMSK	H SYNC MASK during V SYNC period	1080i	0 Others	1				
11	FRGB	Matrix=3:RGB	V5/V6 (480p, 720p, 1080i, No Sync)			0 V7 (480p, VGA, 720p, 1080i, No Sync)	0	Others	0	

\* This data resides in the same location in NVM.

♣	Adjustable - M Board CBA
♦	Adjustable - B Board CBA
♠	Adjustable - On Line (STD LIST)

**SERVICE DATA LISTS**

CATEGORY	#	ITEM	DESCRIPTION	DATA								
MID-1  Common picture data	0	DHPH	h active display area phase	H-resolution = 1920	106							
	1	DVPH	v active display area phase	H-resolution = 1920	20							
	2	DHAR	h active display area size	H-resolution = 1920	240							
	3	DVAR	v active display area size	H-resolution = 1920	135							
	4	DHPW	display h pulse width	H-resolution = 1920	55							
	5	DVPW	display v pulse width	H-resolution = 1920	5							
NOTE: All data listed data unless  INITIALIZE: Display twin mode with one the other. Enter service. "7" + "JUMP" + "ENTER" Wait until pics become same size. WRITE.	6	DYCD	display output yc signal delay correct	MID Mode = Single	Analog 480i	0	Analog Others	0				
				MID Mode = Twin	2							
				MID Mode = Memo	2							
				MID Mode = Favorite	2							
				MID Mode = Scroll / Index	2							
	7	DYSD	display output ys signal delay correct	Table 0	7	Table 1	4	Table 2	2	Table 3	1	Table = (2170P-3 SYSM) + (2170P-3 SHFO) - 1
	8	MDHP	main display picture h position	H-resolution = 1920	Widemode = Normal	160	Widemode = Others	0				
	9	MDVP	main display picture v position	Input = 480i / 480P / VGA	Widemode = Others	30						
				Input = Others	0							
	10	MDHS	main display picture h size	H-resolution = 1920	Widemode = Normal	163	Widemode = Others	240				
11	MDVS	main display picture v size	Input = 480i			Widemode = Others	120					
			Input = Others	135								
12	MLHP	multi picture mode h position	MID Mode = Twin / Memo	43	MID Mode = Favorite	35	MID Mode = Scroll / Index	40				
13	MLVP	multi picture mode v position	MID Mode = Twin / Memo	9	MID Mode = Favorite	30	MID Mode = Scroll / Index	29				
14	SDHP	sub display picture h position	MID Mode = Favorite	167								
15	SDVP	sub display picture v position	MID Mode = Favorite	6								
16	SDHS	sub display picture h size	MID Mode = Favorite	115								
17	SDVS	sub display picture v size	MID Mode = Favorite	75								
18	PDHP	PinP Large mode h position	0									
19	PDVP	PinP Large mode v position	0									
20	PDHS	PinP Large mode h size	0									
21	PDVS	PinP Large mode v size	0									
22	DPSW	display pll switch	MID Mode = Single, Input = 1080i	0	Others	0						
23	MDLO	model select	12	MDLO Details ↓	0 ↓			1 ↓				
				Bit7	Not Used							
				Bit6	Not Used							
				Bit5	Scroll Sub-Picture (16:9 only)	4:3 Display	16:9 Display					
				Bit4	Memory-PLL Frequency	18.54...MHz	17.26...MHz					
				Bit3	ADC-PLL Select	Internal	External					
				Bit2	Frame On/Off (Twin)	Off	On					
				Bit1	Display Type (Scroll)	16:9 Model	4:3 Model					
				Bit0	Display Type (Twin, Memo)	16:9 Model	4:3 Model					
24	BCOL	Background color y [ 0 = Black, 15 = White]	MID Mode = Single	Widemode = Normal	5	Widemode = Others	5					
			MID Mode = MS	5								
			MID Mode = Others	5								
25	DYSS	display output ys signal type select	MID Mode = MS	3								
26	OSDH	Index Sub-Picture OSD H position	MID Mode = Scroll / Index	32								
27	OSDV	Index Sub-Picture OSD V position	MID Mode = Scroll / Index	16								



**SERVICE DATA LISTS**

MID MODE	SINGLE PICTURE	SERVICE DATA				
RF, V1-4 Full (Other)  MID2		MID2	0	DRHP	H Pos	117
		MID2	1	DRHS	H Size	178
		MID2	2	DRVP	V Pos	36
		MID2	3	DRVS	V Size	120
RF, V1-4 Normal  MID2		MID2	0	DRHP	H Pos	154
		MID2	1	DRHS	H Size	162
		MID2	2	DRVP	V Pos	37
		MID2	3	DRVS	V Size	120
480i, V5-7 Full (Other)  MID2		MID2	0	DRHP	H Pos	118
		MID2	1	DRHS	H Size	177
		MID2	2	DRVP	V Pos	37
		MID2	3	DRVS	V Size	120
480i, V5-7 Normal  MID2		MID2	0	DRHP	H Pos	154
		MID2	1	DRHS	H Size	161
		MID2	2	DRVP	V Pos	33
		MID2	3	DRVS	V Size	122
480P Full (Other)  MID3		MID3	0	VDHP	H Pos	147
		MID3	1	VDHS	H Size	240
		MID3	2	VDVE	V Pos	37
		MID3	3	VDVS	V Size	120
480P Normal  MID3		MID3	0	VDHP	H Pos	201
		MID3	1	VDHS	H Size	216
		MID3	2	VDVE	V Pos	44
		MID3	3	VDVS	V Size	116
720P   MID3		MID3	0	VDHP	H Pos	139
		MID3	1	VDHS	H Size	158
		MID3	2	VDVE	V Pos	25
		MID3	3	VDVS	V Size	179

MID MODE	SINGLE PICTURE	SERVICE DATA				
1080i   MID3		MID3	0	VDHP	H Pos	100
		MID3	1	VDHS	H Size	240
		MID3	2	VDVE	V Pos	18
		MID3	3	VDVS	V Size	135
VGA Full (Other)  MID3		MID3	0	VDHP	H Pos	167
		MID3	1	VDHS	H Size	228
		MID3	2	VDVE	V Pos	36
		MID3	3	VDVS	V Size	119
VGA Normal  MID3		MID3	0	VDHP	H Pos	213
		MID3	1	VDHS	H Size	207
		MID3	2	VDVE	V Pos	38
		MID3	3	VDVS	V Size	118

**SERVICE DATA LISTS**

MID MODE TWIN PICTURE		SERVICE DATA				
RF, V1-4 MID2	RF, V1-4 MID3	MID2	0	DRHP	H Pos	145
		MID2	1	DRHS	H Size	165
		MID2	2	DRVVP	V Pos	58
		MID2	3	DRVS	V Size	110
		MID3	0	VDHP	H Pos	74
		MID3	1	VDHS	H Size	165
		MID3	2	VDVE	V Pos	25
		MID3	3	VDVS	V Size	56
480i (V5-7) MID2		MID2	0	DRHP	H Pos	144
		MID2	1	DRHS	H Size	164
		MID2	2	DRVVP	V Pos	44
		MID2	3	DRVS	V Size	117
480P MID3	RF, V1-4 MID2	MID2	0	DRHP	H Pos	153
		MID2	1	DRHS	H Size	165
		MID2	2	DRVVP	V Pos	58
		MID2	3	DRVS	V Size	110
		MID3	0	VDHP	H Pos	188
		MID3	1	VDHS	H Size	220
		MID3	2	VDVE	V Pos	60
		MID3	3	VDVS	V Size	108
720P MID3		MID3	0	VDHP	H Pos	160
		MID3	1	VDHS	H Size	148
		MID3	2	VDVE	V Pos	55
		MID3	3	VDVS	V Size	165
1080i MID3		MID3	0	VDHP	H Pos	141
		MID3	1	VDHS	H Size	221
		MID3	2	VDVE	V Pos	41
		MID3	3	VDVS	V Size	124
VGA MID3		MID3	0	VDHP	H Pos	198
		MID3	1	VDHS	H Size	213
		MID3	2	VDVE	V Pos	54
		MID3	3	VDVS	V Size	111

MID MODE FREEZE		SERVICE DATA				
RF, V1-4 MID2	FREEZE	MID2	0	DRHP	H Pos	146
		MID2	1	DRHS	H Size	164
		MID2	2	DRVVP	V Pos	58
		MID2	3	DRVS	V Size	110
480i (V5-7) MID2	FREEZE	MID2	0	DRHP	H Pos	145
		MID2	1	DRHS	H Size	163
		MID2	2	DRVVP	V Pos	44
		MID2	3	DRVS	V Size	117
480P MID3	FREEZE	MID3	0	VDHP	H Pos	188
		MID3	1	VDHS	H Size	219
		MID3	2	VDVE	V Pos	62
		MID3	3	VDVS	V Size	107
720P MID3	FREEZE	MID3	0	VDHP	H Pos	161
		MID3	1	VDHS	H Size	147
		MID3	2	VDVE	V Pos	54
		MID3	3	VDVS	V Size	165
1080i MID3	FREEZE	MID3	0	VDHP	H Pos	142
		MID3	1	VDHS	H Size	220
		MID3	2	VDVE	V Pos	43
		MID3	3	VDVS	V Size	123
VGA MID3	FREEZE	MID3	0	VDHP	H Pos	204
		MID3	1	VDHS	H Size	210
		MID3	2	VDVE	V Pos	60
		MID3	3	VDVS	V Size	108

**SERVICE DATA LISTS**

MID MODE	FAVORITE CHANNEL	SERVICE DATA						
RF, V1-4 MID2 MID3	FAV	MID2	0	DRHP	H Pos	146		
		MID2	1	DRHS	H Size	165		
		MID2	2	DRVP	V Pos	37		
		MID2	3	DRVS	V Size	120		
		MID3	0	VDHP	H Pos	76		
		MID3	1	VDHS	H Size	169		
		MID3	2	VDVE	V Pos	20		
		MID3	3	VDVS	V Size	57		
		480i (V5-7) MID2 MID3	FAV	MID2	0	DRHP	H Pos	145
				MID2	1	DRHS	H Size	163
MID2	2			DRVP	V Pos	22		
MID2	3			DRVS	V Size	128		
MID3	0			VDHP	H Pos	76		
MID3	1			VDHS	H Size	172		
MID3	2			VDVE	V Pos	20		
MID3	3			VDVS	V Size	57		
480P MID3 MID2	FAV			MID2	0	DRHP	H Pos	154
				MID2	1	DRHS	H Size	172
		MID2	2	DRVP	V Pos	39		
		MID2	3	DRVS	V Size	115		
		MID3	0	VDHP	H Pos	187		
		MID3	1	VDHS	H Size	219		
		MID3	2	VDVE	V Pos	37		
		MID3	3	VDVS	V Size	120		
		720P MID3	FAV	MID3	0	VDHP	H Pos	157
				MID3	1	VDHS	H Size	148
MID3	2			VDVE	V Pos	60		
MID3	3			VDVS	V Size	162		
1080i MID3	FAV	MID3	0	VDHP	H Pos	134		
		MID3	1	VDHS	H Size	222		
		MID3	2	VDVE	V Pos	45		
		MID3	3	VDVS	V Size	122		
VGA MID3	FAV	MID3	0	VDHP	H Pos	200		
		MID3	1	VDHS	H Size	211		
		MID3	2	VDVE	V Pos	39		
		MID3	3	VDVS	V Size	118		

MID MODE	CHANNEL INDEX	SERVICE DATA						
RF, V1-4 MID2 MID3	INDEX	MID2	0	DRHP	H Pos	146		
		MID2	1	DRHS	H Size	164		
		MID2	2	DRVP	V Pos	36		
		MID2	3	DRVS	V Size	120		
		MID3	0	VDHP	H Pos	71		
		MID3	1	VDHS	H Size	167		
		MID3	2	VDVE	V Pos	24		
		MID3	3	VDVS	V Size	57		
		480i (V5-7) MID2	INDEX	MID2	0	DRHP	H Pos	145
				MID2	1	DRHS	H Size	163
MID2	2			DRVP	V Pos	21		
MID2	3			DRVS	V Size	128		
480P MID3 MID2	INDEX	MID2	0	DRHP	H Pos	144		
		MID2	1	DRHS	H Size	167		
		MID2	2	DRVP	V Pos	50		
		MID2	3	DRVS	V Size	114		
MID3	INDEX	MID3	0	VDHP	H Pos	185		
		MID3	1	VDHS	H Size	220		
		MID3	2	VDVE	V Pos	44		
		MID3	3	VDVS	V Size	116		
720P MID3	INDEX	MID3	0	VDHP	H Pos	160		
		MID3	1	VDHS	H Size	147		
		MID3	2	VDVE	V Pos	61		
		MID3	3	VDVS	V Size	162		
1080i MID3	INDEX	MID3	0	VDHP	H Pos	138		
		MID3	1	VDHS	H Size	221		
		MID3	2	VDVE	V Pos	45		
		MID3	3	VDVS	V Size	122		
VGA MID3	INDEX	MID3	0	VDHP	H Pos	200		
		MID3	1	VDHS	H Size	211		
		MID3	2	VDVE	V Pos	38		
		MID3	3	VDVS	V Size	118		

**SERVICE DATA LISTS**

CATEGORY	#	ITEM	DESCRIPTION	Register	Approx NVM addr	MID Mode	DATA									
MID-3	4	VDVO	VDO input V active area line size	vdo_vactv_0d	A8 00 80	1080i 0	720p	0	480p	0	VGA	0				
VDO input data	5	VCPO	VDO input V active area odd position			1080i 72	720p	88	480p	122	VGA	122				
	6	VCWD	VDO input clamp pulse output timing			1080i 3	720p	3	480p	3	VGA	3				
	7	VYCD	VDO input clamp pulse width			1080i 0	720p	0	480p	0	VGA	0				
	8	VSTP	VDO input PLL phase detect stop line count			1080i 137	720p	183	480p	129	VGA	129				
	9	VSTT	VDO input PLL phase detect start line cnt			1080i 0	720p	0	480p	0	VGA	0				
	10	VHSC	VDO input H sync cycle			YC, all 480 inputs	130									
	11	VFRV	vdo_fid_rev			YC	0	480i	0	1080i	0	720p	0	480p	0	VGA

CATEGORY	#	ITEM	DESCRIPTION			DATA <span style="background-color: #90EE90;">▼ WV600 and WV700 are different</span>													
MID-5						POP Table Select (Based on 2170:MIDE setting)													
						0	1	2	3	4	5	6	7	8	9	10	11	12	
TO INITIALIZE: Display twin mode with one side larger than the other. Enter service. "7" + "JUMP" + "ENTER" Wait until pics become same size. WRITE.	1	MHLY	m_hlpf_ycoef		WV600 ▼ WV700 ▼	1	2	1	2	1	1	2	1	1	3	1	1	1	
	2	MHLC	m_hlpf_ccoef			3	0	3	3	3	3	3	3	3	3	3	3	3	
	3	MVLY	m_vlpf_ycoef			0	0	0	0	0	0	0	0	0	1	0	0	0	
	4	MVLC	m_vlpf_ccoef			0	0	0	0	0	0	0	0	0	1	0	0	0	
	5	MHYR	m_henh_ycore		WV600 ▼ WV700 ▼	0	0	1	0	2	3	3	3	0	0	0	0	1	1
	6	MHYL	m_henh_yclip		WV600 ▼ WV700 ▼	0	0	1	0	1	1	2	1	0	0	0	0	1	1
	7	MHYE	m_henh_yenh		WV600 ▼ WV700 ▼	0	0	5	0	6	0	7	0	0	0	0	0	7	7
	8	MHYO	m_henh_ycof			1	0	1	1	1	1	1	1	1	0	1	1	1	
	9	MHCR	m_henh_ccore			0	0	0	0	0	0	0	0	0	0	0	0	0	
	10	MHCL	m_henh_cclip			0	0	0	0	0	0	0	0	0	0	0	0	0	
	11	MHCE	m_henh_cenh			0	0	0	0	0	0	0	0	0	0	0	0	0	
	12	MHCO	m_henh_ccof			1	0	0	1	0	0	0	0	0	0	0	0	0	
	13	MVYR	m_venh_ycore		WV600 ▼ WV700 ▼	0	0	0	0	1	2	2	3	0	0	0	0	1	1
	14	MVYL	m_venh_yclip			0	0	0	0	1	1	1	1	0	0	0	0	1	1
	15	MVYE	m_venh_yenh		WV600 ▼ WV700 ▼	0	0	0	0	1	5	3	5	0	0	0	0	5	5
	16	MVCR	m_venh_ccore			0	0	0	0	0	0	0	0	0	0	0	0	0	
	17	MVCL	m_venh_cclip			0	0	0	0	0	0	0	0	0	0	0	0	0	
	18	MVCE	m_venh_cenh			0	0	0	0	0	0	0	0	0	0	0	0	0	

**SERVICE DATA LISTS**

CATEGORY	#	ITEM	DESCRIPTION			DATA <span style="background-color: #90EE90;">▼ WV600 and WV700 are different</span>																	
MID-5  TO INITIALIZE:  Display twin mode with one side larger than the other. Enter service. "7" + "JUMP" + "ENTER" Wait until pics become same size. WRITE.						POP Table Select (Based on 2170:MIDE setting)																	
						13	14	15	16	17	18	19	20	21	22	23	24	25					
	1	MHLY	m_hlpf_ycoef			2	3	2	2	2	1	3	1	1	1	0	1	0					
	2	MHLC	m_hlpf_ccoef			3	3	3	3	3	3	3	3	3	3	2	3	2					
	3	MVLY	m_vlpf_ycoef			0	1	0	0	0	0	1	0	0	0	0	0	0					
	4	MVLC	m_vlpf_ccoef			0	1	0	0	0	0	1	0	0	0	0	0	0					
	5	MHYR	m_henh_ycore		<span style="background-color: #90EE90;">▼ WV600</span>	0	0	0	1	<span style="background-color: #90EE90;">1</span>	0	0	1	<span style="background-color: #90EE90;">1</span>	3	0	0	0					
					<span style="background-color: #90EE90;">▼ WV700</span>					<span style="background-color: #90EE90;">3</span>				<span style="background-color: #90EE90;">2</span>									
	6	MHYL	m_henh_yclip		<span style="background-color: #90EE90;">▼ WV600</span>	0	0	0	2	1	0	0	1	<span style="background-color: #90EE90;">1</span>	1	0	0	0					
					<span style="background-color: #90EE90;">▼ WV700</span>									<span style="background-color: #90EE90;">2</span>	1	0	0	0					
	7	MHYE	m_henh_yenh		<span style="background-color: #90EE90;">▼ WV600</span>	0	0	0	<span style="background-color: #90EE90;">7</span>	7	0	0	7	<span style="background-color: #90EE90;">4</span>	<span style="background-color: #90EE90;">0</span>	0	0	0					
					<span style="background-color: #90EE90;">▼ WV700</span>				<span style="background-color: #90EE90;">2</span>					<span style="background-color: #90EE90;">0</span>	<span style="background-color: #90EE90;">4</span>								
						0	0	0	1	1	0	1	1	1	1	1	1	1					
	9	MHCR	m_henh_ccore			0	0	0	2	2	0	0	0	0	2	0	0	0					
	10	MHCL	m_henh_cclip			0	0	0	0	0	0	0	0	0	0	0	0	0					
	11	MHCE	m_henh_cenh			0	0	0	0	0	0	0	0	0	0	0	0	0					
	12	MHCO	m_henh_ccof			0	0	0	1	1	1	0	0	1	1	1	1	1					
	13	MVYR	m_venh_ycore		<span style="background-color: #90EE90;">▼ WV600</span>	0	0	0	1	1	0	0	0	<span style="background-color: #90EE90;">1</span>	<span style="background-color: #90EE90;">1</span>	0	0	0					
				<span style="background-color: #90EE90;">▼ WV700</span>									<span style="background-color: #90EE90;">2</span>	<span style="background-color: #90EE90;">2</span>	0	0	0						
14	MVYL	m_venh_yclip			0	0	0	1	1	0	0	1	1	1	0	0	0						
15	MVYE	m_venh_yenh		<span style="background-color: #90EE90;">▼ WV600</span>	0	0	0	<span style="background-color: #90EE90;">5</span>	<span style="background-color: #90EE90;">7</span>	0	0	3	<span style="background-color: #90EE90;">5</span>	<span style="background-color: #90EE90;">7</span>	0	0	0						
				<span style="background-color: #90EE90;">▼ WV700</span>				<span style="background-color: #90EE90;">3</span>	<span style="background-color: #90EE90;">5</span>				<span style="background-color: #90EE90;">3</span>	<span style="background-color: #90EE90;">5</span>									
16	MVCR	m_venh_ccore	m_venh_ccore		0	0	0	2	2	0	0	0	0	2	0	0	0						
17	MVCL	m_venh_cclip	m_venh_cclip		0	0	0	0	0	0	0	0	0	0	0	0	0						
18	MVCE	m_venh_cenh	m_venh_cenh		0	0	0	0	0	0	0	0	0	0	0	0	0						
								POP Table Select															
						26	27	28	29	30	31	32	33	34	35	36	37	38					
1	MHLY	m_hlpf_ycoef			0	0	0	3	0	0	0	1	3	1	1	1	1						
2	MHLC	m_hlpf_ccoef			2	2	0	3	0	0	0	3	3	3	3	3	3						
3	MVLY	m_vlpf_ycoef			0	0	0	1	0	0	0	0	1	0	0	0	0						
4	MVLC	m_vlpf_ccoef			0	0	0	1	0	0	0	0	1	0	0	0	0						
5	MHYR	m_henh_ycore			2	2	0	0	0	1	3	0	0	1	1	1	1						
6	MHYL	m_henh_yclip			1	1	0	0	0	1	1	0	0	1	2	2	1						
7	MHYE	m_henh_yenh			5	5	0	0	4	7	4	0	0	2	2	7	7						
8	MHYO	m_henh_ycof			1	1	1	0	1	1	1	1	0	1	1	1	1						
9	MHCR	m_henh_ccore			2	3	0	0	0	1	3	0	0	0	0	0	0						
10	MHCL	m_henh_cclip			2	2	0	0	0	2	2	0	0	0	0	0	0						
11	MHCE	m_henh_cenh			2	2	0	0	0	2	2	0	0	0	0	0	0						
12	MHCO	m_henh_ccof			1	1	1	0	1	1	1	0	0	0	0	0	0						
13	MVYR	m_venh_ycore			2	2	0	0	0	1	3	0	0	1	1	2	0						
14	MVYL	m_venh_yclip			1	1	0	0	0	1	1	0	0	1	1	1	0						
15	MVYE	m_venh_yenh			3	7	0	0	0	4	3	0	0	5	7	5	0						
16	MVCR	m_venh_ccore			2	3	0	0	0	1	3	0	0	0	0	0	0						
17	MVCL	m_venh_cclip			1	1	0	0	0	1	1	0	0	0	0	0	0						
18	MVCE	m_venh_cenh			2	3	0	0	0	4	3	0	0	0	0	0	0						
NOTE: All data listed here is INITIAL data unless marked by *.																							

**SERVICE DATA LISTS**

CATEGORY	#	ITEM	DESCRIPTION	DATA													
				POP Table Select													
				39	40	41	42	43	44	45	46	47	48	49	50	51	
MID-5																	
NOTE:	1	MHLY	m_hlpf_ycoef		3	1	1	1	0	3	0	0	0	0	0	0	
All data listed here is INITIAL data unless marked by *.	2	MHLC	m_hlpf_ccoef		3	3	3	3	0	3	0	0	0	0	0	0	
	3	MVLY	m_vlpf_ycoef		1	0	0	0	0	1	0	0	0	0	0	0	
	4	MVLC	m_vlpf_ccoef		1	0	0	0	0	1	0	0	0	0	0	0	
	5	MHYR	m_henh_ycore		0	1	1	1	0	0	0	0	0	0	0	0	
	6	MHYL	m_henh_yclip		0	1	2	2	1	0	1	1	1	1	1	1	
TO INITIALIZE:	7	MHYE	m_henh_yenh		0	3	2	7	2	0	4	7	7	2	2	4	7
	8	MHYO	m_henh_ycof		0	1	1	1	0	0	0	0	0	0	0	0	
Display twin mode with one side larger than the other.	9	MHCR	m_henh_ccore		0	0	0	0	0	0	0	1	1	0	0	0	1
	10	MHCL	m_henh_cclip		0	0	0	0	0	0	0	1	1	0	0	0	1
	11	MHCE	m_henh_cenh		0	0	0	0	0	0	0	4	4	0	0	0	4
	12	MHCO	m_henh_ccof		0	0	0	0	0	0	0	1	1	0	0	0	1
Enter service. "7" + "JUMP" + "ENTER"	13	MVYR	m_venh_ycore		0	1	1	1	0	0	0	0	0	0	0	0	0
	14	MVYL	m_venh_yclip		0	1	1	1	0	0	1	1	1	0	0	1	1
	15	MVYE	m_venh_yenh		0	4	7	5	0	0	4	4	4	0	0	4	4
Wait until pics become same size. WRITE.	16	MVCR	m_venh_ccore		0	0	0	0	0	0	0	1	1	0	0	0	1
	17	MVCL	m_venh_cclip		0	0	0	0	0	0	0	1	1	0	0	0	1
	18	MVCE	m_venh_cenh		0	0	0	0	0	0	0	4	4	0	0	0	4

**SERVICE DATA LISTS**

CATEGORY	#	ITEM	DESCRIPTION			DATA												
						POP Table Select												
MID-5						52	53	54	55	56	57	58	59	60	61	62	63	64
	1	MHLY	m_hlpf_ycoef			0	0	0	0	0	0	0	0	0	0	0	0	0
	2	MHLC	m_hlpf_ccoef			0	0	0	0	0	0	0	0	0	0	0	0	0
	3	MVLY	m_vlpf_ycoef			0	0	0	0	0	0	0	0	0	0	0	0	0
	4	MVLC	m_vlpf_ccoef			0	0	0	0	0	0	0	0	0	0	0	0	0
NOTE: All MID data here is INITIAL data unless marked by *.	5	MHYR	m_henh_ycore			0	0	0	0	0	0	0	0	0	0	0	0	0
	6	MHYL	m_henh_yclip			1	0	0	0	0	0	0	0	0	0	0	0	0
	7	MHYE	m_henh_yenh			7	0	0	0	0	0	0	0	0	0	0	0	0
	8	MHYO	m_henh_ycof			0	0	0	0	0	0	0	0	0	0	0	0	0
	9	MHCR	m_henh_ccore			1	0	0	0	0	0	0	0	0	0	0	0	0
	10	MHCL	m_henh_cclip			1	0	0	0	0	0	0	0	0	0	0	0	0
	11	MHCE	m_henh_cenh			4	0	0	0	0	0	0	0	0	0	0	0	0
	12	MHCO	m_henh_ccof			1	0	0	0	0	0	0	0	0	0	0	0	0
	13	MVYR	m_venh_ycore			0	0	0	0	0	0	0	0	0	0	0	0	0
	14	MVYL	m_venh_yclip			1	0	0	0	0	0	0	0	0	0	0	0	0
	15	MVYE	m_venh_yenh			4	0	0	0	0	0	0	0	0	0	0	0	0
	16	MVCR	m_venh_ccore			1	0	0	0	0	0	0	0	0	0	0	0	0
	17	MVCL	m_venh_cclip			1	0	0	0	0	0	0	0	0	0	0	0	0
	18	MVCE	m_venh_cenh			4	0	0	0	0	0	0	0	0	0	0	0	0
						MS												
	19	SHLY	s_hlpf_ycoef			0												
	20	SHLC	s_hlpf_ccoef			0												
	21	SVLY	s_vlpf_ycoef			0												
	22	SVLC	s_vlpf_ccoef			0												
	23	SHYR	s_henh_ycore			0												
	24	SHYL	s_henh_yclip			0												
	25	SHYE	s_henh_yenh			0												
	26	SHYO	s_henh_ycof			0												
	27	SHCR	s_henh_ccore			0												
	28	SHCL	s_henh_cclip			0												
	29	SHCE	s_henh_cenh			0												
	30	SHCO	s_henh_ccof			0												
	31	SVYR	s_venh_ycore			0												
	32	SVYL	s_venh_yclip			0												
	33	SVYE	s_venh_yenh			0												
	34	SVCR	s_venh_ccore			0												
	35	SVCL	s_venh_cclip			0												
	36	SVCE	s_venh_cenh			0												
CXA3506R				480i,YC	Others													
	0	MCON	Main Contrast	64	64 ♠													
	1	SCOR	Sub Contrast Red	128	128 ♠													
	2	SCOG	Sub Contrast Green	128	128													
	3	SCOB	Sub Contrast Blue	128	128 ♠													
	4	RGB	RGB Out	0	0													

♣	Adjustable - M Board CBA
♠	Adjustable - B Board CBA
♣	Adjustable - On Line (STD LIST)

**SERVICE DATA LISTS**

CATEGORY	#	ITEM	DESCRIPTION	DATA																	
				57"	0	65"	0	57"	0	65"	0	57"	0	65"	0						
AUDIO	0	ASYS	Stereo System 0:BiAmp, 1:3D	57":	0	65":	0														
	1	TRCV	Fc= 0: 3KHz, 1: 5KHz, 2: 7KHz	57":	0	65":	0														
	2	BACV	Fc= 0:80Hz, 1: 160Hz, 2: 240Hz	57":	1	65":	2														
	3	MDCV	Fc= 0: 500Hz, 1: 1KHz, 2: 2KHz	57":	1	65":	1														
	4	SVHI	Sub Vol Hi Freq (1db/step, 0:-7dB, 7:0dB)	57":	5	65":	5														
	5	SVLO	Sub Volume Low Freq	57":	6	65":	6														
	6	MIDL	Mid Cut Off	57":	9	65":	9														
	7	LOFQ	Woofer Cut Off	57":	4	65":	4														
	8	SBAS	Sub Bass	57":	9	65":	9														
	9	BSFQ	Bass Cut Off	57":	7	65":	7														
	10	STRE	Sub Treble	57":	4	65":	5														
	11	TRFQ	Treble Cut Off	57":	7	65":	7														
	12	PSEF	Pseudo Stereo Effect	57":	5	65":	5														
	13	AGCL	AGC Level (0:500mV)	57":	0	65":	0														
					57" Surround OFF		57" Trusurround		57" Simulated		65" Surround OFF		65" Trusurround		65" Simulated						
					Stdy Snd AUTO	Stdy Snd OFF	-	-	-	-	Stdy Snd AUTO	Stdy Snd OFF	-	-	-	-					
	14	BBE	BBE Switch [1: On , 0: Off]		1	1	1	1	1	1	1	1	1	1	1	1					
	15	BBEP	BBE1 High		2	2	3	2	2	2	2	2	3	2	2	2					
	16	BBEL	BBE1 Low		1	1	1	1	1	1	2	2	3	2	2	2					
	17	BB2P	BBE2 High		0	0	0	0	0	0	0	0	0	0	0	0					
18	BB2L	BBE2 Low		0	0	0	0	0	0	0	0	0	0	0	0						
19	TRS1	TruSurround Center	57":	4	65":	4															
20	TRS2	TruSurround Space	57":	5	65":	5															
SNNR	0	MODE	SNNR Mode (0: Auto; 1: SNNR, 2: OFF)	0																	
	1	SNNR	Noise Reduction Level Setting	0																	
RF Noise Reduction					SNNR=0	SNNR=1	SNNR=2	SNNR=3	SNNR=4	SNNR=5	SNNR=6	SNNR=7									
	2	WSLT	WSL Noise Limit Threshold		0	15	31	45	63	85	127	180									
	3	CPFG	3DCOMB:YPFG = YPFG - CPFG		0	0	1	0	1	1	2	2									
	4	CPFT	3DCOMB:YPFT = YPFT - CPFT		0	0	2	0	2	3	3	3									
	5	CCOR	3DCOMB:YHCO = CCOR	WV600 ♥ WV700 ♥	0	2	2	2	2	3	3	3									
	6	CHCG	3DCOMB:YHCG = CHCG		0	1	1	1	1	1	1	1									
	7	CAPG	3DCOMB:VAPG = YAPG - CAPG		0	0	0	0	0	0	0	0									
	8	3SHP	2103-1:SHAP = USHP - 3SHP	WV600 ♥ WV700 ♥	0	2	3	5	6	7	8	10									
	9	NYNR	3DNR:YLV = YLV + NYNR		0	1	1	1	2	2	2	2									
	10	NCNR	3DNR:CLV = CLV + NCNR		0	1	1	1	2	2	2	2									
	11	NYMG	3DNR:YMG = YMG - NYMG		0	0	0	0	0	0	0	0									
	12	NCMG	3DNR:CMG = CMG - NCMG		0	0	0	0	0	0	0	0									
	13	NYLT	3DNR:YLT = YLT - NYLT		0	1	1	0	3	4	6	8									
	14	NYNC	3DNR:YNC = YNC - NYNC		1	1	1	1	2	2	2	2									
	15	NYCO	3DNR:YCO = YCO - NYCO		0	0	0	0	0	0	0	0									
	16	7SHP	2170-P4:USHP = USHP - (7SHP x 4)		0	0	0	0	0	1	1	1									
	17	7YF1	2170-P3:F1LV = F1LV - 7YF1		0	0	1	0	2	2	2	3									
	18	7LTI	2170-P3:LTLV = LTLV - 7LTI		0	0	0	0	0	0	0	0									
	19	7CTI	2170-P3:CTIL = CTIL - 7CTI		0	0	0	0	0	0	0	0									
	20	7VML	2170-P3:VM_LEV = VM_LEV - 7VML		0	0	0	0	0	0	0	0									
	21	7VMC	2170-P3:VMCR = VMCR + 7VMCR		0	1	1	0	2	2	2	2									
	22	MIDD	MIDE = MIDE - MIDD		0	0	0	0	0	0	0	0									



## SERVICE DATA LISTS

CATEGORY	#	ITEM	DESCRIPTION	DATA
CCD	0	HPRM	CCD/V-CHIP(Main) OSD H position	60 ▲
	1	HPRS	CCD/V-CHIP(Sub) OSD H position	60 ▲
CC and V Chip	2	YSYM	Caption Background select(Main&Sub)	0
	3	CCDI	Interuption count(Main&Sub)	3
	4	CRIP	CRI count & Parity count	4
	5	PHLD	Peak hold for Data slice(Main&Sub)	0
	6	CHMK	H Mask width(Main&Sub)	52
	7	LANG	V-Chip Disp. Language	2
	8	DATA	Slice data OSD on/off	0
	9	VCHP	V-CHIP Blocking function on/off	0
	10	CLMP	Clamp voltage for V-IN	0
	11	SYSV	SYNC slice voltage for V-IN	4
	12	ID1	ID-1 ON/OFF	1
	13	ID1M	ID-1 Mode	1
	14	FPOL	Field polarity	0
	15	BWHT	Banner white level	0
	16	MESH	Banner back ground type	0
	17	BNBB	Banner back ground color-Blue	1
	18	BNBG	Banner back ground color-Green	1
	19	BNBR	Banner back ground color-Red	0
	20	CMP1	Banner back ground level1 comp	2
	21	CMP2	Banner back ground level2 comp	5
	22	CMP3	Banner back ground level3 comp	3
	23	CWHT	Caption white level	3
	24	VSDW	V sync detection width	1
	25	BFRQ	XDS banner display PLL frequency	0
	26	BPOS		0
	27	BFRM		1
	28	BTIM		0

♣	Adjustable - M Board CBA
◆	Adjustable - B Board CBA
▲	Adjustable - On Line (STD LIST)

## SERVICE DATA LISTS

CATEGORY	#	ITEM	DESCRIPTION	DATA				
3DNR (TC90A90F)	0	WHCT	PLL Divider setting	44				
	1	NIQM	U/V input polarity	1				
	2	CLPW	A/D Clamp Pulse width	30				
3D Noise Reduction	3	CLPP	A/D Clamp Pulse Phase	80				
	4	YHBW	Y H Blanking width	138				
	5	YBKL	Y Blanking level adjustment	0				
	6	YBKO	Internal Y H Blanking ON/OFF	0				
	7	MUTE	Signal Output Muting	0				
	8	YHBS	Y H Blanking start point	40				
	9	CHBW	U/V H Blanking width	138				
	10	CBKO	U/V H Blanking start point	40				
	11	CHBO	Internal U/V H Blanking ON/OFF	0				
	12	VHBL	V H Blanking level adjustment	0				
	13	UHBL	U H Blanking level adjustment	0				
	14	UVDL	U/V output delay	0				
	15	YDL	Y output delay	0				
	16	PVDI	VD input polarity	0				
	17	PHDI	HD input polarity	0				
	18	HDW	HD pulse width	16				
	19	PVDO	VD output polarity	0				
	20	PHDO	HD output polarity	0				
	21	HST	HD out pulse start position	54				
	22	VDL	VD out Pulse start position	0				
	23	VDW	VD out Pulse width	3				
	24	NDET	Noise detection point	0				
	25	NVP	Noise detect line	2				
	26	NDTS	Noise detect sencitivity	3				
	27	HROF	H Reference pulse ON/OFF (ON=0)	0				
	28	NDGW	Noise detect gate width	9				
	29	UOFS	U Offset level	1				
	30	POT	Output Port 0/1 Control	0				
	31	UVF	UV Frag polarity	0				
	32	APC	AP Clock polarity	1				
	33	DAP	DAC power save (ON=1)	0				
	34	YLV	Y NR level	Vivid	RF/V1-V4	9	V5-V7 (480i)	8
				Standard	RF/V1-V4	9	V5-V7 (480i)	8
Movie				RF/V1-V4	8	V5-V7 (480i)	8	
Pro				RF/V1-V4	8	V5-V7 (480i)	8	
35	YST	Setup forced standard detection	0					
36	YNT	Y NTSC Standard detection	1					
37	YPL	Y PAL Standard detection	1					
38	YMV	Y Moving detection filter (ON=0)	0					
39	YCR	Y Moving detection Coring level	Vivid	RF/V1-V4	3	V5-V7 (480i)	0	
			Standard	RF/V1-V4	3	V5-V7 (480i)	0	
			Movie	RF/V1-V4	3	V5-V7 (480i)	0	
			Pro	RF/V1-V4	3	V5-V7 (480i)	0	
40	VOS	V Offset level	0					
41	YMG	Y Moving detection gain	Vivid	RF/V1-V4	3	V5-V7 (480i)	3	
			Standard	RF/V1-V4	3	V5-V7 (480i)	3	
			Movie	RF/V1-V4	3	V5-V7 (480i)	3	
			Pro	RF/V1-V4	3	V5-V7 (480i)	3	

**SERVICE DATA LISTS**

CATEGORY	#	ITEM	DESCRIPTION	DATA			
3DNR (TC90A90F)	42	YEG	Y Moving detect on (ON=1)	0			
	43	YEL	Y edge moving detection sensitivity	Vivid	RF/V1-V4	6	V5-V7 (480i) 6
				Standard	RF/V1-V4	6	V5-V7 (480i) 6
				Movie	RF/V1-V4	6	V5-V7 (480i) 6
				Pro	RF/V1-V4	6	V5-V7 (480i) 6
3D Noise Reduction	44	YLM	Y NR Feed back limit level	Vivid	RF/V1-V4	6	V5-V7 (480i) 6
				Standard	RF/V1-V4	6	V5-V7 (480i) 6
				Movie	RF/V1-V4	6	V5-V7 (480i) 6
				Pro	RF/V1-V4	6	V5-V7 (480i) 6
	45	CLV	C NR level	Vivid	RF/V1-V4	9	V5-V7 (480i) 8
				Standard	RF/V1-V4	9	V5-V7 (480i) 8
				Movie	RF/V1-V4	8	V5-V7 (480i) 8
				Pro	RF/V1-V4	8	V5-V7 (480i) 8
	46	CNT	Relate C NR to YSTDN	1			
	47	CPL	Relate C NR to YSTDP	1			
	48	CMG	C Moving detection gain	Vivid	RF/V1-V4	3	V5-V7 (480i) 3
				Standard	RF/V1-V4	3	V5-V7 (480i) 3
Movie				RF/V1-V4	3	V5-V7 (480i) 3	
Pro				RF/V1-V4	3	V5-V7 (480i) 3	
49	CCR	C Moving detection coring level	Vivid	RF/V1-V4	3	V5-V7 (480i) 0	
			Standard	RF/V1-V4	3	V5-V7 (480i) 0	
			Movie	RF/V1-V4	3	V5-V7 (480i) 0	
			Pro	RF/V1-V4	3	V5-V7 (480i) 0	
50	CLM	C NR Feed back limit level	Vivid	RF/V1-V4	6	V5-V7 (480i) 6	
			Standard	RF/V1-V4	6	V5-V7 (480i) 6	
			Movie	RF/V1-V4	6	V5-V7 (480i) 6	
			Pro	RF/V1-V4	6	V5-V7 (480i) 6	
51	NVSL		20				
52	NVSH	NR Vertical start line	0				
53	NHS	NR Horizontal start position	16				
54	NVEL		248				
55	NVEH	NR Vertical end line	0				
56	NHE	NR Horizontal end position	120				
57	YNG	Y Coring gain	Vivid	RF/V1-V4	3	V5-V7 (480i) 3	
			Standard	RF/V1-V4	3	V5-V7 (480i) 3	
			Movie	RF/V1-V4	3	V5-V7 (480i) 3	
			Pro	RF/V1-V4	3	V5-V7 (480i) 3	
58	COR	Coring/through (Coring=0)	Vivid	RF/V1-V4	0	V5-V7 (480i) 0	
			Standard	RF/V1-V4	0	V5-V7 (480i) 0	
			Movie	RF/V1-V4	0	V5-V7 (480i) 0	
			Pro	RF/V1-V4	0	V5-V7 (480i) 0	
59	LPF	LPF on/off (on=0)	Vivid	RF/V1-V4	0	V5-V7 (480i) 0	
			Standard	RF/V1-V4	0	V5-V7 (480i) 0	
			Movie	RF/V1-V4	0	V5-V7 (480i) 0	
			Pro	RF/V1-V4	0	V5-V7 (480i) 0	
60	YLT	Y Coring limit level	Vivid	RF/V1-V4	6	V5-V7 (480i) 6	
			Standard	RF/V1-V4	6	V5-V7 (480i) 6	
			Movie	RF/V1-V4	6	V5-V7 (480i) 6	
			Pro	RF/V1-V4	6	V5-V7 (480i) 6	

**SERVICE DATA LISTS**

CATEGORY	#	ITEM	DESCRIPTION	DATA																	
3DNR (TC90A90F)  3D Noise Reduction	61	YNC	Y Coring offset level	Vivid	RF/V1-V4	9	V5-V7 (480i)	8	* Item 61 YNC data should be the same as Item 34 YNR data.												
				Standard	RF/V1-V4	9	V5-V7 (480i)	8													
				Movie	RF/V1-V4	8	V5-V7 (480i)	8													
				Pro	RF/V1-V4	8	V5-V7 (480i)	8													
	62	YCO	Y Coring off (on=1)	Vivid	RF/V1-V4	0	V5-V7 (480i)	0													
				Standard	RF/V1-V4	0	V5-V7 (480i)	0													
				Movie	RF/V1-V4	0	V5-V7 (480i)	0													
				Pro	RF/V1-V4	0	V5-V7 (480i)	0													
	63	ADTH	0: DNR, 1: AD	0																	
	DRCV  (CXD2097)  DRC-VOL	0	MFVR	DRC ID [0: DRC-VOL, 1: DRC-MF]	0																
		1	ISEL	Input select [0:A/D 1:3DNR]	1																
		2	ORES	Reality (Resolution Effect) Offset	Vivid	RF	128	V1-V4							128	V5, V6	128	V7	128		
Standard					RF	128	V1-V4	128	V5, V6	128	V7	128									
Movie					RF	128	V1-V4	128	V5, V6	128	V7	128									
Pro					RF	128	V1-V4	128	V5, V6	128	V7	128									
3		ONCT	Clarity (Noise Effect) Offset	Vivid	RF	128	V1-V4	128	V5, V6	128	V7	128									
				Standard	RF	128	V1-V4	128	V5, V6	128	V7	128									
				Movie	RF	128	V1-V4	128	V5, V6	128	V7	128									
				Pro	RF	128	V1-V4	128	V5, V6	128	V7	128									
4		AINI	User Clarity (Noise) Initial Position	CUSTOM1	0	CUSTOM2	49	CUSTOM3	79												
5		BINI	User Reality (Resolution) Initial Position	CUSTOM1	24	CUSTOM2	54	CUSTOM3	89												
6		FMAT	Film Mode Automatic 525P [1: ON, 0: OFF]	0																	
7		FMTH	Film Mode Threshold	Other	1	RF	1	[0: DVD, 1: CXD2095, 2: air strong electric fields, 3: air medium electric fields]													
8		FSEL	Y Horizontal Filter [1: OFF, 0: ON]	1																	
9		CDLY	C-Y Delay	2																	
10		LMIT	Peak Limiter [1: Slew, 0: Limiter ON]	0																	
11		LMLV	Limit Level	Vivid	2	Standard	2	Movie	2	Pro	2										
12	LMSL	Peak Limiter Ref. for Progressive	1	[1: Automatic, 0: Fixed]																	
13	VDLY	Input vertical signal delay	1																		
14	VDPR	Vertical Signal Sample Timing Switch	3	[Normally High]																	
15	WPLL	TBC Horizontal Phase Switching	2	[Normally High]																	
16	CRCT	Text Countermeasures Circuit [1: ON, 0: OFF]	0																		
17	NRA		SNNR(1)	0	SNNR(2)	0	SNNR(3)	0	SNNR(4)	0	SNNR(5)	0	SNNR(6)	0	SNNR(7)	0					
18	NRB		SNNR(1)	128	SNNR(2)	128	SNNR(3)	128	SNNR(4)	128	SNNR(5)	128	SNNR(6)	128	SNNR(7)	128					

**SERVICE DATA LISTS**

CATEGORY	#	ITEM	DESCRIPTION	MIN	MAX	Full / Normal	Zoom	WideZoom	1080i
PJE	0	FDIS	Display fine adjustment data	0	1			1	
	1	AREA	Model Select [0: GA, 1: US, 2: Europe]	0	2			1	
	2	COPY	Service copy adjustment	0	1			0	
	3	ALCP	Service all copy adjustment	0	1			0	
	4	OSDH	Osd horiz position of PJED service menu	1	255			11	
	5	OSDV	Osd vert pos of PJED service menu	1	255	57	106	78	15
	6	FVSL	Start position of fine adjustment	0	15	0	14	15	0
	7	FVSP	Start line of fine adjustment	0	255	3	21	25	53
	8	V1DL	Value of V1 delay	0	255	1	140	61	1
	9	V1CU	Value of V1 count up	0	4095	454	598	506	387
	10	V1OH	Value of V1 offset upper data	0	255	5	5	5	79
	11	COHP	Horizontal phase for rough adjustment	0	4095			0	
	12	FIHP	Horizontal phase for fine adjustment	0	4095			1111	
	13	TPHP	Horizontal phase for test pattern	0	4095			72	
	14	TPVP	Vertical phase for test pattern	0	255	55	111	79	15
	15	DFHP	H phase for dyn focus (57")	0	4095			190	
			H phase for dyn focus (65")					190	
			H phase for dyn focus (65" 4% bigger)					200	
	16	DFHG	H parabola for dyn focus (57")	-128	127	-85	-85	-85	-85
			H parabola for dyn focus (65")			-100	-100	-100	-100
			H parabola for dyn focus (65" 4% bigger)			-95	-95	-95	-95
	17	DFVG	V parabola for dyn focus (57")	-128	127	-65	-65	-65	-65
			V parabola for dyn focus (65")			-70	-70	-70	-70
			V parabola for dyn focus (65" 4% bigger)			-95	-95	-95	-95
	18	DFDC	Center for dyn focus (57")	-128	127	127	127	127	127
			Center for dyn focus (65")			127	127	127	127
			Center for dyn focus (65" 4% bigger)			127	127	127	127
	19	DFV1	V1 saw for dyn focus (57")	-128	127	-50	-50	-50	-50
V1 saw for dyn focus (65")					-50	-50	-50	-50	
V1 saw for dyn focus (65" 4% bigger)					-50	-50	-50	-50	
20	SDHP	Compensation of horiz phase for shading	0	4095			500		
21	SDH1	Horizontal saw wave for dynamic focus	-128	127	127	127	127	127	
22	BDVU	Vertical position for border line 1	0	2047	27	21	12	53	
23	BDVL	Vertical position for border line 2	0	2047	901	683	820	1035	
24	BDHL	Horizontal position for boder line 1	0	2047	152	152	145	152	
25	BDHR	Horizontal position for boder line 2	0	2047	1254	1254	1261	1254	
26	HBLD	Horizontal phase for output of H.Blank out	0	4095			32		
27	HBLW	Width for output of H.Blank out	0	4095			143		
28	PWM2	PWM2 Regi IC output width (57")	0	4095			730		
		PWM2 Regi IC output width (65")					730		
		PWM2 Regi IC output width (65" 4% bigger)					730		

## SERVICE DATA LISTS

CATEGORY	#	ITEM	DESCRIPTION	MIN	MAX	DATA
PJE	29	R0GH	Green Horizontal Sensor 0 Ratio Offset	-128	127	-
	30	R0RH	Red Horizontal Sensor 0 Ratio Offset	-128	127	-
	31	R0BH	Blue Horizontal Sensor 0 Ratio Offset	-128	127	-
	32	R1GH	Green Horizontal Sensor 1 Ratio Offset	-128	127	-
	33	R1RH	Red Horizontal Sensor 1 Ratio Offset	-128	127	-
	34	R1BH	Blue Horizontal Sensor 1 Ratio Offset	-128	127	-
	35	R1GV	Green Vertical Sensor 1 Ratio Offset	-128	127	-
	36	R1RV	Red Vertical Sensor 1 Ratio Offset	-128	127	-
	37	R1BV	Blue Vertical Sensor 1 Ratio Offset	-128	127	-
	38	R2GH	Green Horizontal Sensor 2 Ratio Offset	-128	127	-
	39	R2RH	Red Horizontal Sensor 2 Ratio Offset	-128	127	-
	40	R2BH	Blue Horizontal Sensor 2 Ratio Offset	-128	127	-
	41	R2GV	Green Vertical Sensor 2 Ratio Offset	-128	127	-
	42	R2RV	Red Vertical Sensor 2 Ratio Offset	-128	127	-
	43	R2BV	Blue Vertical Sensor 2 Ratio Offset	-128	127	-
	44	R3GH	Green Horizontal Sensor 3 Ratio Offset	-128	127	-
	45	R3RH	Red Horizontal Sensor 3 Ratio Offset	-128	127	-
	46	R3BH	Blue Horizontal Sensor 3 Ratio Offset	-128	127	-
	47	PTRH	Red Horiz Top Pattern Position Offset	-128	127	-
	48	PTBH	Blue Horiz Top Pattern Position Offset	-128	127	-
	49	PLRH	Red Horiz Left Pattern Position Offset	-128	127	-
	50	PLBH	Blue Horiz Left Pattern Position Offset	-128	127	-
	51	PLRV	Red Vertical Left Pattern Position Offset	-128	127	-
	52	PLBV	Blue Vertical Left Pattern Position Offset	-128	127	-
	53	PRRH	Red Horiz Right Pattern Position Offset	-128	127	-
	54	PRBH	Blue Horiz Right Pattern Pos Offset	-128	127	-
	55	PRGV	Green Vertical Right Pattern Pos Offset	-128	127	-
	56	PRRV	Red Vertical Right Pattern Pos Offset	-128	127	-
	57	PRBV	Blue Vertical Right Pattern Pos Offset	-128	127	-
	58	PBGH	Green Horiz Bottom Pattern Pos Offset	-128	127	-
	59	PBRH	Red Horiz Bottom Pattern Pos Offset	-128	127	-
	60	PBBH	Blue Horiz Bottom Pattern Pos Offset	-128	127	-

**SERVICE DATA LISTS**

CATEGORY	#	ITEM	DESCRIPTION	MIN	MAX																
PJE	61	ERR	Auto Regi. Error code	0	-	0															
	62	ADTM	A/D data input timing of Auto Regi.	0	127	81															
	63	ADT2	A/D data input timing of Auto Regi. #2	0	255	115															
	64	SZLM	Size Limit	-128	127	0															
	65	RTLM	Ratio Limit	0	127	90															
	66	VUP	Auto Regi. Pattern Upper V position	0	2047	57"	41	65"	41												
	67	VMID	Auto Regi. Pattern Middle V position	0	2047	57"	505	65"	505												
	68	VLOW	Auto Regi. Pattern Lower V position	0	2047	57"	971	65"	971												
	69	HLE	Auto Regi. Pattern left H position	0	4095	57"	55	65"	55												
	70	HMD	Auto Regi. Pattern middle H position	0	4095	57"	636	65"	636												
	71	HRIV	Auto Regi. Pattern right H position	0	4095	57"	1217	65"	1217												
	72	TEST				0															
	73	SFTF	Fast motion of burn prevention switch	0	1	0															
	74	SFTE	CRT burn prevention enable	0	5	4	[0: Off, 1: 120sec, 2: 60sec, 3: 30sec, 4: 15sec, 5: 8sec]														
	75	ACTL	Account timer counter lower byte	0	-	0															
	76	ACTH	Account timer counter upper byte	0	-	0															
	77	ATTN	Auto Regi adjustment item select	0	3	57"	0	65"	0												
	78	VB1S	VBLKOUT1 Horizontal Phase	0	1023	Full / Normal	0	Zoom	0	W Zoom	0	1080i	0								
	79	VB1W	VBLKOUT1 Output Width	0	1023	Full / Normal	16	Zoom	16	W Zoom	16	1080i	16								
	80	VB2S	VBLKOUT2 Horizontal Phase	0	1023	Full / Normal	0	Zoom	0	W Zoom	0	1080i	0	* PJE INIT (7+ENTER)							
	81	VB2W	VBLKOUT2 Output Width	0	1023	Full / Normal	54	Zoom	110	W Zoom	72	1080i	24	writes "0" only to sub							
	82	VB3S	VBLKOUT3 Horizontal Phase	0	1023	Full / Normal	520	Zoom	464	W Zoom	502	1080i	550	deflection presets							
	83	VB3W	VBLKOUT3 Output Width	0	1023	Full / Normal	42	Zoom	98	W Zoom	60	1080i	12	and fine regi data							
	84	VB4S	VBLKOUT4 Horizontal Phase			Full / Normal	0	Zoom	0	W Zoom	0	1080i	7	of the deflection mode							
	85	VB4W	VBLKOUT4 Output Width			Full / Normal	5	Zoom	5	W Zoom	5	1080i	5	you are in.							
							Full / Normal ▲						Zoom ▲								
							Green	Blue	Red	Green	Blue	Red									
		CENT	Center Registration Adjustment	-512	511		35	20	35	20	35	20	35	20	35	20					
		SKEW	Skew Registration Adjustment	-512	511		0	0	0	0	0	0	0	0	0	0					
		SIZE	Size Registration Adjustment	-512	511		-100	-75	-100	-75	-100	-75	-100	-75	-100	-75					
		LIN	Linearity Registration Adjustment	-512	511		0	0	-425	0	425	0	0	0	-425	0	425	0			
		KEY	Keystone Registration Adjustment	-512	511		N/A	0	N/A	-120	N/A	120	N/A	0	N/A	-120	N/A	120			
		PIN	Pincushion Registration Adjustment	-512	511		0	400	0	350	0	350	0	400	0	350	0	350			
		MLIN	Middle Linearity Registration Adjustment	-512	511		0	N/A	150	N/A	-150	N/A	0	N/A	150	N/A	-150	N/A			
		MSIZ	Middle Size Registration Adjustment	-512	511		-200	N/A	-100	N/A	-100	N/A	-200	N/A	-100	N/A	-100	N/A			
						Wide Zoom ▲						1080i / Twin ▲									
						Green	Blue	Red	Green	Blue	Red										
	CENT	Center Registration Adjustment	-512	511		35	20	35	20	35	20	35	20	35	20						
	SKEW	Skew Registration Adjustment	-512	511		0	0	0	0	0	0	0	0	0	0						
	SIZE	Size Registration Adjustment	-512	511		-100	-75	-100	-75	-100	-75	-100	-75	-100	-75						
	LIN	Linearity Registration Adjustment	-512	511		0	0	-425	0	425	0	0	0	-425	0	425	0				
	KEY	Keystone Registration Adjustment	-512	511		N/A	0	N/A	-120	N/A	120	N/A	0	N/A	-120	N/A	120				
	PIN	Pincushion Registration Adjustment	-512	511		0	400	0	350	0	350	0	400	0	350	0	350				
	MLIN	Middle Linearity Registration Adjustment	-512	511		0	N/A	150	N/A	-150	N/A	0	N/A	150	N/A	-150	N/A				
	MSIZ	Middle Size Registration Adjustment	-512	511		-200	N/A	-100	N/A	-100	N/A	-200	N/A	-100	N/A	-100	N/A				
						* FINE Adjustment should be limited to less than +-107 steps for each point.															

▲	Adjustable - M Board CBA
◆	Adjustable - B Board CBA
▲	Adjustable - On Line (STD LIST)

## SERVICE DATA LISTS

CATEGORY	#	ITEM	DESCRIPTION	DATA	INDEX									
					Bit 7	Bit 6	Bit 5	Bit 4	Bit 3	Bit 2	Bit 1	Bit 0		
OP	0	DLY1	Delay time1 of power on sequence		12									
	1	DLY2	Delay time2 of power on sequence		18									
	2	DLY3	Delay time3 of power on sequence		7									
	3	OSDH	OSD H position [0:LEFT, 254:RIGHT]		13 ▲									
	4	HDPT	1080i through sw [0:through, 1:MID]		1									
	5	MSBG	Memory Stic Background Color		80									
	6	AACK	Audio DSP ACK Checking Switch		2									
	7	RAMW	RAM window display [0:OFF, 1:DISPLAY]		0									
					<div style="display: flex; justify-content: space-around;"> <div style="border: 1px solid black; padding: 2px; font-size: 8px;">▲ Adjustable - M Board CBA</div> <div style="border: 1px solid black; padding: 2px; font-size: 8px;">◆ Adjustable - B Board CBA</div> <div style="border: 1px solid black; padding: 2px; font-size: 8px;">▲ Adjustable - On Line (STD LIS)</div> </div> <p style="font-size: 8px; margin-top: 5px;">[0: No checking at mode change / refresh, 1: Checking at refresh only, 2: Checking at mode change / refresh, 3: N/A]</p>									
ID	0	ID0	Language/System	89	Korean 0	French 1	Portuguese 0	Spanish 1	English 1	PAL-N 0	PAL-M 0	NTSC 1		
	1	ID1	Video Input	255	DVI input 1	V3 - S Video 1	V2 - S Video 1	V1 - S Video 1	Video4 1	Video3 1	Video2 1	Video1 1		
	2	ID2	Audio	239	Auto Vol 1	Auto Mute 1	Surround1 1	Surround0 0	Audio out 1	Bass/Treb/Bal 1	Spkr SW 1	MTS 1		
	3	ID3	Etc	107	AC stay off 0	Front Panel Cntr 1	Vchip-US 1	Vchip-Canada 0	2:3Pull 1	Key power 0	Stereo/main 1	DRC Vol 1		
	4	ID4	Etc2	75	Tilt Corr 0	3D Comb 1	No-sig. auto off 0	CH block 0	Comb 1	Spot Kil 0	XDS 1	CC 1		
	5	ID5	Etc3	243	Wideband VM 1	NR 1	Color Temp 1	VM 1	TV out 0	MS "ACCESS" off 0	MS Button toggle 1	Mem Stic 1		
	6	ID6	Sub Picture	126	0	Scrolling Index 1	MultPic 1 1	MultPic 0 1	Antenna SW 1 1	Antenna SW 0 1	2Tu PIP 1	1Tu PIP 0		
	7	ID7	Etc4	27	0	Latin 0	PIP for Twin 0	AutoSAP 1	XBR / HS 1	Center SP 0	PJ / Direct View 1	Widescrn 1		

## INITIALIZATION SEQUENCES

MID NVM only (MAIN_A8):	7+JUMP+Enter
Main NVM only (MAIN_A0)	7+9+Enter
All NVM including PJED: (PJED_A0 + MAIN_A0 + MAIN_A8)	7+Audio Effect+Enter
PJED REGISTRATION DATA only	7+Enter (in PJE service)



2-11-1. MODEL NVM DIFFERENCE

SERVICE ITEM				
ITEM	57WV600	65WV600	57WV700	65WV700
2170P-4 8 - UBRT (VIVID)	19	19	28	28
2170P-4 10 - USHP (VIVID)	25	25	29	29
2170P-4 7 - UPIC (STANDARD)	47	47	50	50
2170P-4 8 - UBRT (STANDARD)	31	31	36	36
2170P-4 7 - UPIC (MOVIE)	18	18	20	20
2170P-4 8 - UBRT (MOVIE)	31	31	34	34
2170P-4 22 - BLK (1080iV5-6, VIVID)	3	3	2	2
2170P-4 22 - BLK (720PV5-6, VIVID)	3	3	2	2
2170P-4 22 - BLK (1080iV7, VIVID)	3	3	2	2
2170P-4 22 - BLK (720PV7, VIVID)	3	3	2	2
2170P-4 22 - BLK (MS PLAY, VIVID)	3	3	2	2
2170P-4 19 - GAMR (GAMM=1)	4	4	6	6
2170P-4 20 - GAMG (GAMM=1)	4	4	6	6
2170P-4 21 - GAMB (GAMM=1)	4	4	6	6
2170P-4 19 - GAMR (GAMM=2)	3	3	4	4
2170P-4 20 - GAMG (GAMM=2)	3	3	4	4
2170P-4 21 - GAMB (GAMM=2)	3	3	4	4
2170P-4 19 - GAMR (GAMM=3)	7	7	9	9
2170P-4 20 - GAMG (GAMM=3)	7	7	9	9
2170P-4 21 - GAMB (GAMM=3)	7	7	9	9
2170P-4 23 - DCTR (BLK=1)	10	10	5	5
2170P-4 24 - APED (BLK=1)	2	2	1	1
2170P-4 23 - DCTR (BLK=3)	15	15	8	8
SNNR 5 - CCOR (SNNR=1)	2	2	0	0
SNNR 8 - 3SHP (SNNR=1)	2	2	0	0
SNNR 5 - CCOR (SNNR=2)	2	2	1	1
SNNR 8 - 3SHP (SNNR=2)	3	3	0	0
SNNR 5 - CCOR (SNNR=3)	2	2	1	1
SNNR 8 - 3SHP (SNNR=3)	5	5	0	0
SNNR 8 - 3SHP (SNNR=4)	6	6	0	0
SNNR 5 - CCOR (SNNR=5)	3	3	2	2
SNNR 8 - 3SHP (SNNR=5)	7	7	0	0
SNNR 8 - 3SHP (SNNR=6)	8	8	0	0
SNNR 8 - 3SHP (SNNR=7)	10	10	1	1
2170P-3 15 - UHOF (1080iV7, VIVID)	1	1	2	2

SERVICE ITEM				
ITEM	57WV600	65WV600	57WV700	65WV700
2170P-3 4 - VMF0 (RF, VIVID)	0	0	2	2
2170P-3 5 - VMDL (RF, VIVID)	15	15	8	8
2170P-3 6 - SHOF (RF, VIVID)	0	0	2	2
2170P-3 14 - UCOF (RF, VIVID)	3	3	0	0
2170P-3 4 - VMF0 (V1-4, VIVID)	0	0	2	2
2170P-3 5 - VMDL (V1-4, VIVID)	15	15	8	8
2170P-3 13 - UBOF (V1-4, VIVID)	2	2	3	3
2170P-3 14 - UCOF (V1-4, VIVID)	3	3	1	1
2170P-3 15 - UHOF (V1-4, VIVID)	0	0	3	3
2170P-3 4 - VMF0 (480iV5-6, VIVID)	1	1	2	2
2170P-3 5 - VMDL (480iV5-6, VIVID)	11	11	8	8
2170P-3 6 - SHOF (480iV5-6, VIVID)	2	2	1	1
2170P-3 13 - UBOF (480iV5-6, VIVID)	4	4	3	3
2170P-3 14 - UCOF (480iV5-6, VIVID)	3	3	1	1
2170P-3 15 - UHOF (480iV5-6, VIVID)	1	1	3	3
2170P-3 4 - VMF0 (480PV5-6, VIVID)	1	1	2	2
2170P-3 5 - VMDL (480PV5-6, VIVID)	11	11	8	8
2170P-3 15 - UHOF (480PV5-6, VIVID)	0	0	2	2
2170P-3 6 - SHOF (1080iV5-6, VIVID)	3	2	2	2
2170P-3 14 - UCOF (1080iV5-6, VIVID)	2	1	3	3
2170P-3 15 - UHOF (1080iV5-6, VIVID)	1	1	2	2
2170P-3 6 - SHOF (720PV5-6, VIVID)	3	2	2	2
2170P-3 14 - UCOF (720PV5-6, VIVID)	2	1	3	3
2170P-3 15 - UHOF (720PV5-6, VIVID)	1	1	2	2
2170P-3 4 - VMF0 (480iV7, VIVID)	1	1	2	2
2170P-3 5 - VMDL (480iV7, VIVID)	11	11	8	8
2170P-3 6 - SHOF (480iV7, VIVID)	2	2	1	1
2170P-3 13 - UBOF (480iV7, VIVID)	4	4	3	3
2170P-3 14 - UCOF (480iV7, VIVID)	3	3	1	1
2170P-3 15 - UHOF (480iV7, VIVID)	1	1	3	3
2170P-3 4 - VMF0 (480PV7, VIVID)	1	1	2	2
2170P-3 5 - VMDL (480PV7, VIVID)	11	11	8	8
2170P-3 15 - UHOF (480PV7, VIVID)	0	0	2	2
2170P-3 6 - SHOF (1080iV7, VIVID)	3	2	2	2
2170P-3 14 - UCOF (1080iV7, VIVID)	2	1	3	3

### MODEL NVM DIFFERENCE

SERVICE ITEM				
ITEM	57WV600	65WV600	57WV700	65WV700
2170P-3 6 - SHOF (720PV7, VIVID)	3	2	2	2
2170P-3 14 - UCOF (720PV7, VIVID)	2	1	3	3
2170P-3 15 - UHOF (720PV7, VIVID)	1	1	2	2
2170P-3 6 - SHOF (MS PLAY, VIVID)	3	2	2	2
2170P-3 14 - UCOF (MS PLAY, VIVID)	2	1	3	3
2170P-3 15 - UHOF (MS PLAY, VIVID)	1	1	2	2
2170P-3 4 - VMF0 (TWIN, VIVID)	0	0	2	2
2170P-3 5 - VMDL (TWIN, VIVID)	15	15	8	8
2170P-3 13 - UBOF (TWIN, VIVID)	4	4	0	0
2170P-3 14 - UCOF (TWIN, VIVID)	2	1	0	0
2170P-3 4 - VMF0 (RF, STANDARD)	0	0	2	2
2170P-3 5 - VMDL (RF, STANDARD)	15	15	8	8
2170P-3 6 - SHOF (RF, STANDARD)	0	0	2	2
2170P-3 14 - UCOF (RF, STANDARD)	1	1	0	0
2170P-3 15 - UHOF (RF, STANDARD)	1	1	2	2
2170P-3 4 - VMF0 (V1-4, STANDARD)	0	0	2	2
2170P-3 5 - VMDL (V1-4, STANDARD)	15	15	8	8
2170P-3 6 - SHOF (V1-4, STANDARD)	1	1	2	2
2170P-3 13 - UBOF (V1-4, STANDARD)	1	1	0	0
2170P-3 14 - UCOF (V1-4, STANDARD)	2	2	0	0
2170P-3 15 - UHOF (V1-4, STANDARD)	0	0	3	3
2170P-3 4 - VMF0 (480iV5-6, STANDARD)	1	1	2	2
2170P-3 5 - VMDL (480iV5-6, STANDARD)	11	11	8	8
2170P-3 6 - SHOF (480iV5-6, STANDARD)	1	1	2	2
2170P-3 15 - UHOF (480iV5-6, STANDARD)	1	1	3	3
2170P-3 4 - VMF0 (480PV5-6, STANDARD)	1	1	2	2
2170P-3 5 - VMDL (480PV5-6, STANDARD)	11	11	8	8
2170P-3 6 - SHOF (480PV5-6, STANDARD)	1	1	0	0
2170P-3 14 - UCOF (480PV5-6, STANDARD)	1	1	0	0
2170P-3 15 - UHOF (480PV5-6, STANDARD)	0	0	2	2
2170P-3 14 - UCOF (1080iV5-6, STANDARD)	0	0	1	1
2170P-3 15 - UHOF (1080iV5-6, STANDARD)	1	1	2	2
2170P-3 14 - UCOF (720PV5-6, STANDARD)	0	0	1	1
2170P-3 15 - UHOF (720PV5-6, STANDARD)	1	1	2	2
MID5 1 - MHLY (POP 5)	1	1	2	2

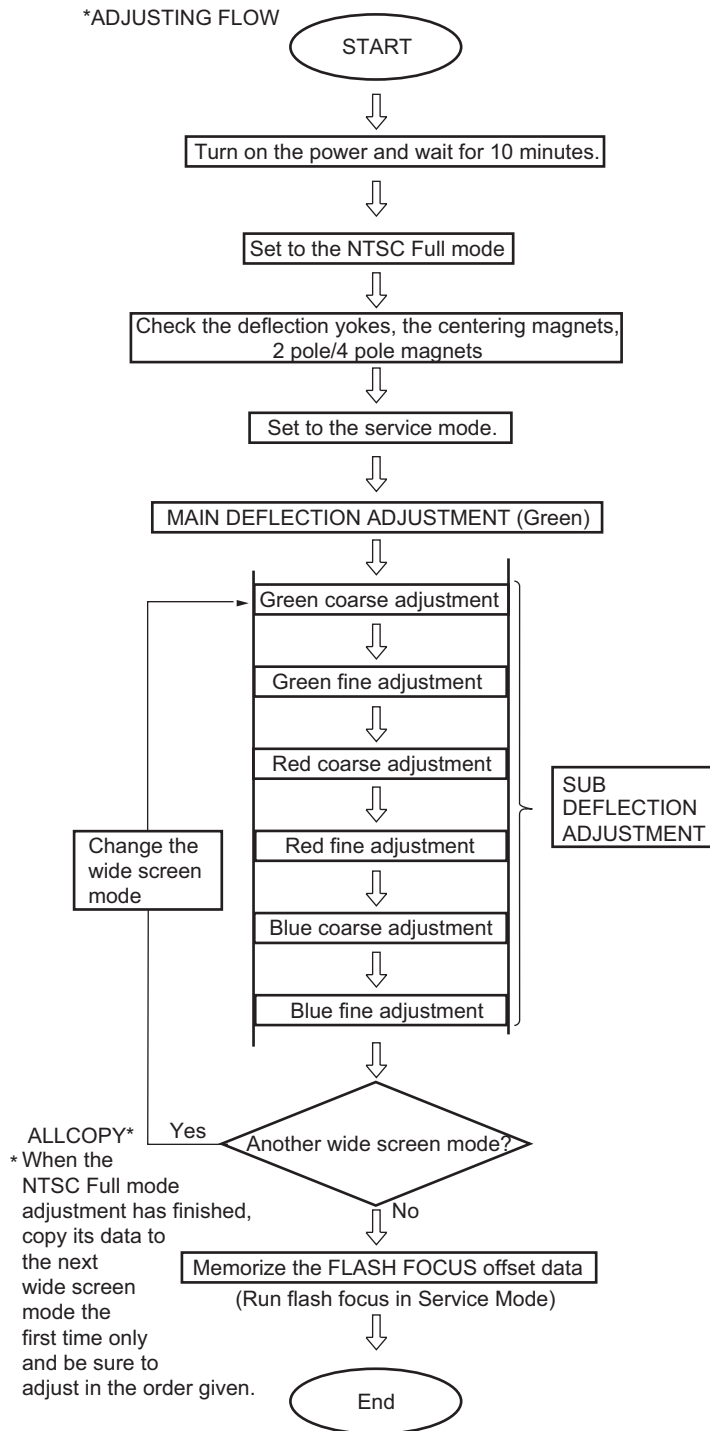
SERVICE ITEM				
ITEM	57WV600	65WV600	57WV700	65WV700
2170P-3 4 - VMF0 (480iV7, STANDARD)	1	1	2	2
2170P-3 5 - VMDL (480iV7, STANDARD)	11	11	8	8
2170P-3 6 - SHOF (480iV7, STANDARD)	1	1	2	2
2170P-3 15 - UHOF (480iV7, STANDARD)	1	1	3	3
2170P-3 4 - VMF0 (480PV7, STANDARD)	1	1	2	2
2170P-3 5 - VMDL (480PV7, STANDARD)	11	11	8	8
2170P-3 6 - SHOF (480PV7, STANDARD)	1	1	0	0
2170P-3 15 - UHOF (480PV7, STANDARD)	0	0	2	2
2170P-3 14 - UCOF (1080iV7, STANDARD)	0	0	1	1
2170P-3 15 - UHOF (1080iV7, STANDARD)	1	1	2	2
2170P-3 14 - UCOF (720PV7, STANDARD)	0	0	1	1
2170P-3 15 - UHOF (720PV7, STANDARD)	1	1	2	2
2170P-3 14 - UCOF (MS PLAY, STANDARD)	0	0	1	1
2170P-3 15 - UHOF (MS PLAY, STANDARD)	1	1	2	2
2170P-3 4 - VMF0 (TWIN, STANDARD)	0	0	2	2
2170P-3 5 - VMDL (TWIN, STANDARD)	15	15	8	8
2170P-3 13 - UBOF (RF, STANDARD)	1	1	5	5
2103-1 6 - SHAP (OTHERS)	11	11	6	6
2103-1 6 - SHAP (V1-4)	11	11	8	8
2103-1 24 - ATPD (TWIN BLK=1)	1	1	3	3
2103-1 25 - DCTR (TWIN BLK=1)	2	2	3	3
3DCOMB 21 - YHCO	3	3	2	2
3DCOMB 18 - YPFG (V1-4, MOVIE)	6	6	5	5
AUDIO 10 - STRE	4	5	4	5
AUDIO 2 - BACV	1	2	1	2
AUDIO 16 - BBEL (SURROUND OFF, S.S. OF	1	2	1	2
AUDIO 16 - BBEL (SURROUND OFF, S.S. AU	1	2	1	2
AUDIO 16 - BBEL (TRUSURROUND)	1	3	1	3
AUDIO 16 - BBEL (SIMULATED)	1	2	1	2
2170P-3 14 - UCOF (MS MENU, VIVID)	2	1	3	3
2170P-3 15 - UHOF (MS MENU, VIVID)	1	1	2	2
2170P-3 14 - UCOF (MS MENU, STANDARD)	0	0	1	1
2170P-3 15 - UHOF (MS MENU, STANDARD)	1	1	2	2
2170P-4 22 - BLK (MS MENU, VIVID)	3	3	2	2
MID5 1 - MHLY (POP 0)	1	1	2	2

### MODEL NVM DIFFERENCE

SERVICE ITEM				
ITEM	57WV600	65WV600	57WV700	65WV700
MID5 6 - MHYL (POP 5)	1	1	2	2
MID5 7 - MHYE (POP 5)	0	0	7	7
MID5 15 - MVYE (POP 5)	5	5	3	3
MID5 1 - MHLY (POP 7)	1	1	2	2
MID5 6 - MHYL (POP 7)	1	1	2	2
MID5 7 - MHYE (POP 7)	0	0	7	7
MID5 13 - MVYR (POP 7)	3	3	2	2
MID5 15 - MVYE (POP 7)	5	5	3	3
MID5 5 - MHYR (POP 11)	1	1	2	2
MID5 6 - MHYL (POP 11)	1	1	2	2
MID5 7 - MHYE (POP 11)	7	7	4	4
MID5 13 - MVYR (POP 11)	1	1	2	2
MID5 15 - MVYE (POP 11)	5	5	3	3
MID5 5 - MHYR (POP 12)	1	1	2	2
MID5 6 - MHYL (POP 12)	1	1	2	2
MID5 13 - MVYR (POP 12)	1	1	3	3
MID5 15 - MVYE (POP 12)	5	5	3	3
MID5 7 - MHYE (POP 16)	7	7	2	2
MID5 15 - MVYE (POP 16)	5	5	3	3
MID5 5 - MHYR (POP 17)	1	1	3	3
MID5 15 - MVYE (POP 17)	7	7	5	5
MID5 5 - MHYR (POP 21)	1	1	2	2
MID5 6 - MHYL (POP 21)	1	1	2	2
MID5 7 - MHYE (POP 21)	4	4	0	0
MID5 13 - MVYR (POP 21)	1	1	2	2
MID5 15 - MVYE (POP 21)	5	5	3	3
MID5 7 - MHYE (POP 22)	0	0	4	4
MID5 13 - MVYR (POP 22)	1	1	2	2
MID5 15 - MVYE (POP 22)	7	7	5	5

SERVICE ITEM				
ITEM	57WV600	65WV600	57WV700	65WV700
PJE 16 - DFHG	-85	-100	-85	-100
PJE 17 - DFVG	-65	-70	-65	-70

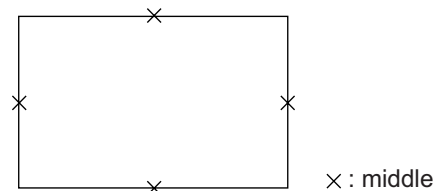
## 2-12. REGISTRATION ADJUSTMENT (PJE MODE ONLY)



### 2-12-1. SETUP FOR ADJUSTMENT

#### MARKING

- At the 4 sides of the screen, locate the middle. Use a tape measure to identify the middle.



#### DATA SETTING

- Set NTSC Full mode.
- Enter the service mode, and select "PJE".

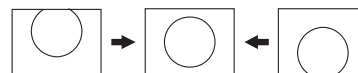
**NOTE:** When you replace printed circuit boards or devices or CRTs, and when correction is drastically necessary, press the "7" + ENTER on the remote commander to initialize the data in the Projector Engine mode. Press the MUTING + ENTER on the remote commander to write the data.

### 2-12-2. MAIN DEFLECTION ADJUSTMENT

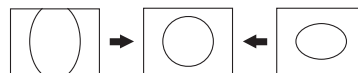
**NOTE:** Before this adjustment, refer to section 2-11 for PJE item #78-85 input data.

- Cover the red and blue CRT lenses with lens caps to allow only green to show (or use the method shown in the note below for turning off the CRTs individually without using lens caps).
- Enter the monoscope signal and set to NTSC Full mode.
- Enter the service mode, and select "2170D-1".
- Adjust "0 VPOS" and "1 VSIZ" so that the picture is displayed in the center of the screen.
- Adjust "2VSZ0" for 1080i vertical size adjustment.

0 VPOS



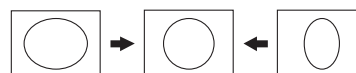
1 V-Size



- Select "2170D-2" and adjust "2 H-Size" so that the picture size is within the specification.

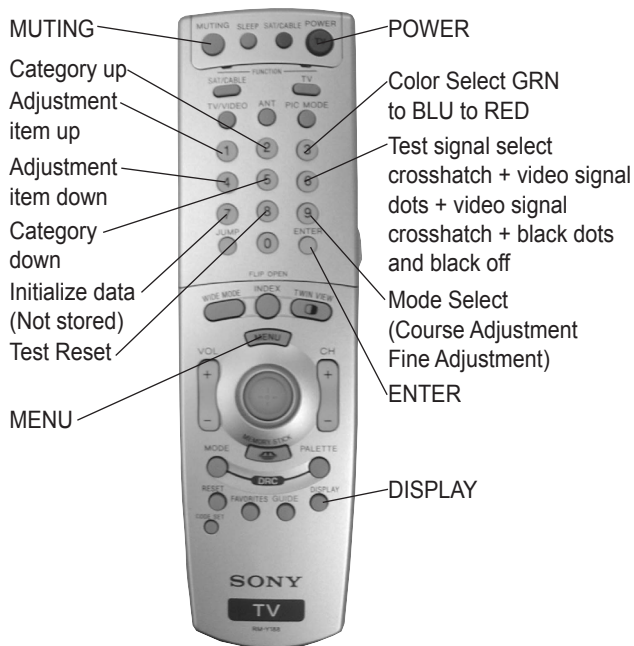
SPEC	Overscan Spec. = 9%	
	H SIZE	V SIZE
Input Signal		
Monoscope	15.6 ± 0.2 sq.	11.5 ± 0.2 sq.

2 H-Size



- Copy the data of the NTSC Full mode to the other wide screen mode and, if necessary, adjust in the other mode.

## 2-12-3. OPERATION METHOD FOR PROJECTOR ENGINE MODE



RM-Y188

### 1. FUNCTION OF KEYS ON COMMANDER

- 1 Changes adjustment item. (Item # moves up)  
Marker moves clockwise from center to outside.  
(In Fine Adjustment mode)
- 4 Changes adjustment item. (Item # moves down)  
Marker moves counter clockwise from outside to center.  
(In Fine Adjustment mode)
- 2 Changes adjustment category.  
(Category # moves up)
- 5 Changes adjustment category.  
(Category # moves down)

- Joystick** Changes data value. (Up or down)  
Marker moves clockwise from center (up, down, right, and then left) to outside.  
(In Fine Adjustment mode)
- 3 Changes adjustment color.  
GRN → BLU → RED
  - 6 Displays or changes internal test signals.  
crosshatch + external signal →  
crosshatch + borderline →  
crosshatch only →  
dot only → off
  - 9 Switches adjustment mode.  
Coarse adjustment model →  
Fine adjustment mode

**Press** Switches marker moving method.

**Joystick** (In Fine Adjustment mode)

Pressing down on the joystick in Fine Adjustment mode switches between selecting and un-selecting a point.

When a point is selected, the cursor changes to that color to indicate the point is selected and can be adjusted. If a point is not selected the cursor is white.

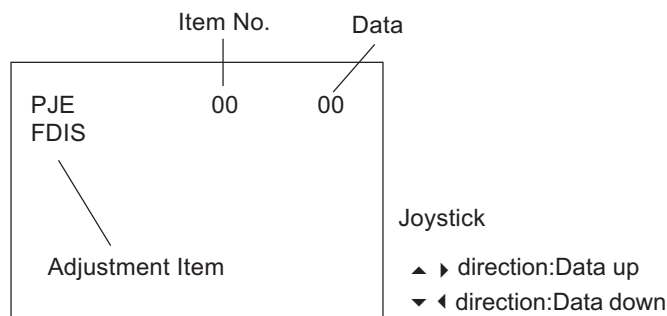
Joystick ▲ ▼ ◀ ▶ keys → 1 and 4 buttons

### Commander Function

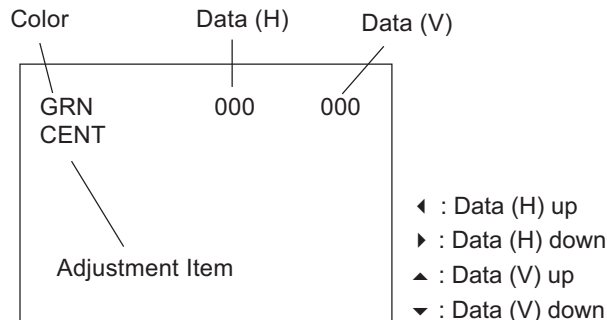
Buttons	Mode	Description
0 + ENTER	READ	Reads data to NVM.
MUTING+ENTER	WRITE	Writes data from NVM.
7 + ENTER	PJE INITIAL	Service data initialization. Not stored. (Be sure not to use usually)

### 2. OPERATION METHOD FOR COARSE ADJUSTMENT

1. Enter the service mode and select "PJE".
2. Press the "1" or "4" button on the remote commander to select the item, and then use the joystick to change the data.



3. Select "GRN CENT". When BLU or RED is displayed, press the "3" button on the remote commander to change the adjustment color in the order of GRN → BLU → RED.
4. In the GRN, BLU, or RED mode, move the joystick ▲ or ▼ to change the data in vertical direction, or ◀ or ▶ to change the data in a horizontal direction.

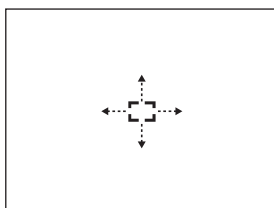


5. Before returning to the service mode, press the "MUTING" + "ENTER" buttons on the remote commander to write the data. (You must complete step 5 to write the data. If you omit step 5 the set data is returned to the data prior to the adjustment.)

### 3. OPERATION METHOD FOR FINE ADJUSTMENT

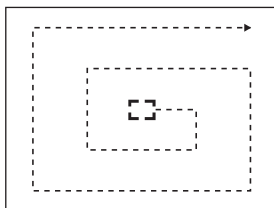
1. Enter the service mode and select "PJE".
2. Select FDIS and set the data to "01" so that the data at each position can be displayed in fine adjustment mode.
3. Press the "9" button on the remote commander and fine adjustment mode will be active where a green marker appears in the center of the screen. (In the case of GRN mode)
4. Press down on the joystick, and the marker color will be alternately switched between green (GRN mode) and white.
5. Press the "1" or "4" button on the remote commander or use the joystick to move the marker to the position to be adjusted, where fine adjustment can be made.

\* When the marker color is white:  
(in this case, fine adjustment is disabled)



Use the joystick to move the marker up, down, left, or right.

\* When the marker color is green:  
(GRN mode)

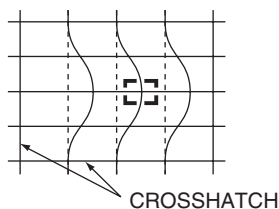
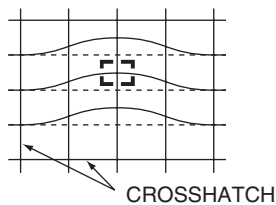


- 1 : Moves the marker clockwise from the center to the outside.
- 4 : Moves the marker counter clockwise from the outside to the center.

\* Fine adjustment can be made on the basis of a marker position using the joystick to move ▲ ▼ ◀ ▶ .

Move joystick ▲ direction

Move joystick ▶ direction



6. Press the "9" button on the remote commander to return to the coarse adjustment mode.

### 2-13.PJE ADJUSTMENT (SUB DEFLECTION ADJUSTMENT)

Adjustment item	Adjustment type		
	G	R	B
	H/V*	H/V*	H/V*
CENT	O/O	O/O	O/O
SKEW	O/O	O/O	O/O
SIZE	O/O	O/O	O/O
LIN	O/O	O/O	O/O
KEY	-/O	-/O	-/O
PIN	O/O	O/O	O/O
MLIN	O/-	O/-	O/-
MSIZ	O/-	O/-	O/-

\* H = Horizontal V = Vertical O = Yes - = No

**Note:** If the value is over the limit value, adjust these in the fine adjustment.

#### Coarse Data Limit Value:

CENT H	-135 TO + 205
CENT V	-150 TO + 190
SKEW	-75 TO + 75
SIZE H	-75 MAX
BLUE H LIN	-425 MIN
RED H LIN	+425 MAX
FINE DATA LIMIT	± 107
Except the extreme left & right outside columns which have no limit	

## 2-13-1.ADJUSTMENT FOR NTSC FULL MODE

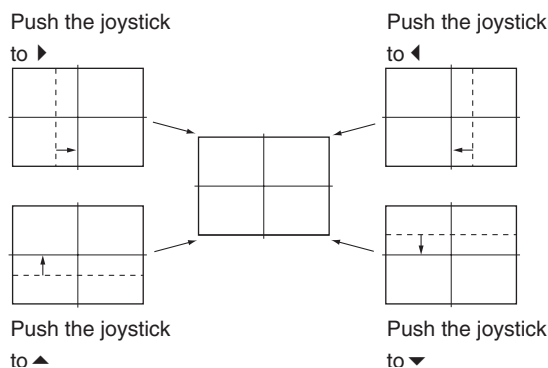
- The adjustment should be done in the numerical order given.

### 1) GREEN ADJUSTMENT

- Cover the red and blue CRT lenses with lens caps to allow only green to show (or use the method shown in the note below for turning off the CRTs individually without using lens caps).
- Enter the monoscope signal to set.
- Select the PJE mode.
- Press the "6" button on the remote commander to display the internal test signal (crosshatch).
- Select "GRN CENT", and adjust so that the pictures coincide in the center of screen.

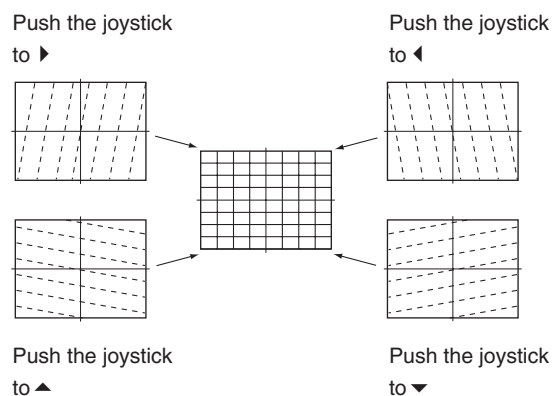
**Note:** If lens caps are unavailable, you can cut off the unnecessary color beams by controlling the service mode 2170P-2 1 RGBS.

#### GRN CENT (Horizontally/Vertically)



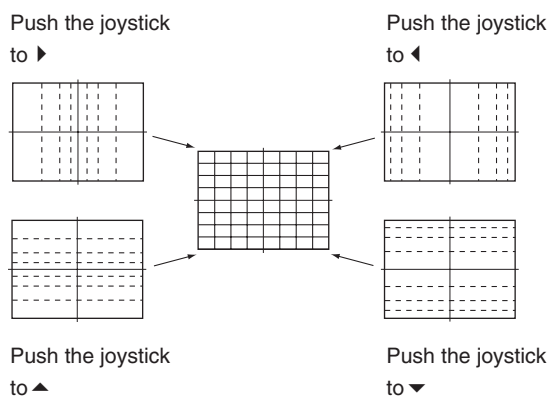
- Select "GRN SKEW", and correct the tilt of horizontal lines and vertical lines.

#### GRN SKEW (Horizontally/Vertically)



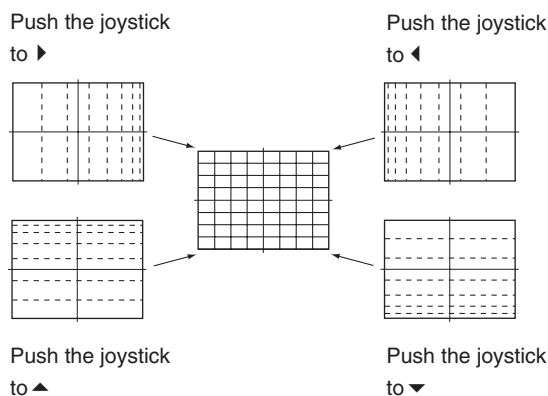
- Select "GRN SIZE", and adjust so that each distance from center to left end and to right end is equal. Adjust so that each distance from center to top and to bottom is equal.

#### GRN SIZE (Horizontally/Vertically)



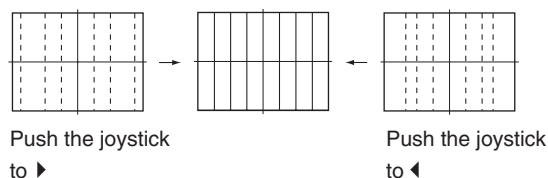
- Select "GRN LIN", and adjust so that each space at the right end and at the left end of screen is equal. Adjust so that each space at the top and at the bottom of screen is equal.

#### GRN LIN (Horizontally/Vertically)



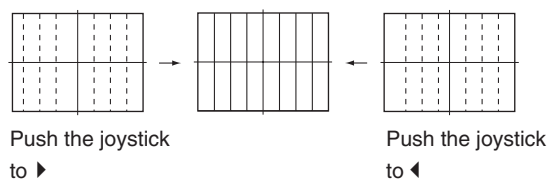
- Select "GRN MSIZ", and correct the space intervals for the horizontal section so the screen is equal.

#### GRN MSIZ (Horizontally)



- Select "GRN MLIN", and correct the sizes of the horizontal line so the center of the screen is symmetrical left and right.

#### GRN MLIN (Horizontally)

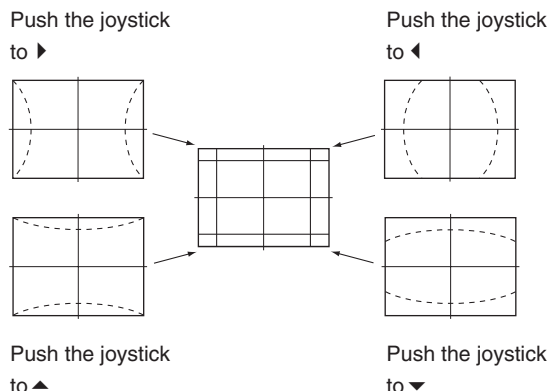


**Note:** The SIZE and LIN, MSIZ and MLIN adjustments affect each other. If necessary, adjust these mutually.



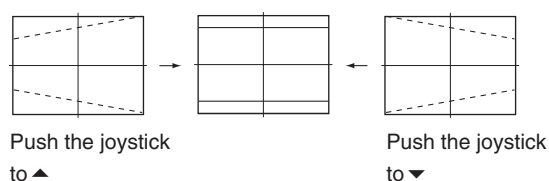
- Select "GRN PIN", and adjust so that right and left vertical lines on the screen become straight. Adjust so that upper and lower horizontal lines on the screen become straight.

### GRN PIN (Horizontally/Vertically)



- Select "GRN KEY", and adjust so that upper and lower horizontal lines on the screen become parallel.

### GRN KEY (Vertically)



**Note:** The VPIN and KEY adjustments affect each other. If necessary, adjust these mutually.

- Press the "9" button on the remote commander to enter fine adjustment mode.
- Make the fine adjustment so that horizontal lines and vertical lines become straight.
- Press the "9" button on the remote commander to return to coarse adjustment mode.

## 2) RED ADJUSTMENT

- Cover the blue CRT lens with a lens caps to allow only the green and red to show (or use the method shown in the note below for turning off the CRTs individually without using lens caps).
- Press the "3" button on the remote commander to select RED mode.
- Adjust the following items so that red lines overlap with green lines.
  - RED CENT (horizontally/vertically)
  - RED SKEW (horizontally/vertically)
  - RED SIZE (horizontally/vertically)
  - RED LIN (horizontally/vertically)
  - RED MSIZ (horizontally)
  - RED MLIN (horizontally)
  - RED PIN (horizontally/vertically)
  - RED KEY (vertically)
- Press the "9" button on the remote commander to enter fine adjustment mode.
- Make the fine adjustment so that horizontal lines and vertical lines overlap with green lines.

- Press the "9" button on the remote commander to return to coarse adjustment mode.

**Note:** If lens caps are unavailable, you can cut off the unnecessary color beams by controlling the service mode 2170P-2 1 RGBS.

## 3) BLUE ADJUSTMENT

- Remove the lens cap from the blue picture lens to display all colors.
- Press the "3" button on the remote commander to select BLU mode.
- Adjust the following items so that blue lines overlap with green lines.
  - BLU CENT (horizontally/vertically)
  - BLU SKEW (horizontally/vertically)
  - BLU SIZE (horizontally/vertically)
  - BLU LIN (horizontally/vertically)
  - BLU PIN (horizontally/vertically)
  - BLU KEY (vertically)
- Press the "9" button on the remote commander to enter fine adjustment mode.
- Make the fine adjustment so that horizontal lines and vertical lines overlap with green and red lines.
- Press the "9" button on the remote commander to return to coarse adjustment mode.

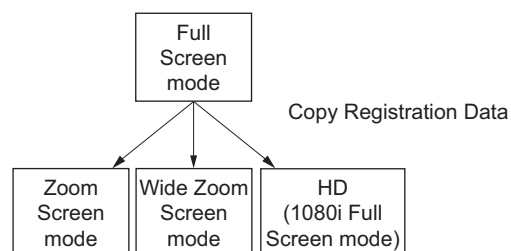
**Note:** When replacing CRTs, adjust the set-up adjustments (2-1 to 2-9) and the registration adjustment (2-12). When replacing multiple CRTs at the same time, replace and adjust them individually.

## 4) REGISTRATION DATA WRITING

- After completing each adjustment of green, blue, and red for the NTSC Full mode press the "MUTING"+ "ENTER" buttons on the remote commander to write the registration data to the NVM.

### 2-13-2.COPYING ALL REGISTRATION DATA TO OTHER MODES

- Make sure that the adjustment for NTSC Full mode are complete and the data have already been written.
- Select the PJE mode.
- Select ALCP and set the data to "01", and press the "MUTING"+ "ENTER" buttons on the remote commander.
- The data from the NTSC Full mode is copied to all other modes.



- Check in the other modes and adjust as demands.

**Be sure to write data in each mode.**



## 2-14.AUTO REGISTRATION OFFSETS

### IMPORTANT

**This adjustment must be performed after registration adjustment or after readjustment for any reason!**

Once registration in all modes is satisfactory:

1. Darken the room environment near the set.
2. Enter service mode and individually write data ("MUTING" + "ENTER") for:

Full  
Zoom  
Wide Zoom  
1080i

### Important:

You must complete step 2 even if registration looks OK in these modes and there were not any adjustments made.

**Note:** If 1080i source is not available, 1080i data can be displayed by entering Twin Mode.

3. Select input of RF (with a signal) or Video1 - Video4 (with a signal), and enter Full Mode.

### WARNING: DO NOT USE 1080i SIGNAL!

4. From service mode, select the PJE group.
5. To automatically store the offset values, press the "FLASH FOCUS" button on the front panel of the set.  
(The offset value is now stored)  
If FLASH FOCUS successfully calibrates, it displays "CALIBRATION OK."  
If FLASH FOCUS does not successfully calibrate, an error message is displayed.(Refer to section 2-15)
6. Exit the service mode.
7. If the calibration was successful, press the "FLASH FOCUS" button out of service mode.
8. Confirm registration is OK in all modes.

## 2-15.AUTO REGISTRATION ERROR CODES

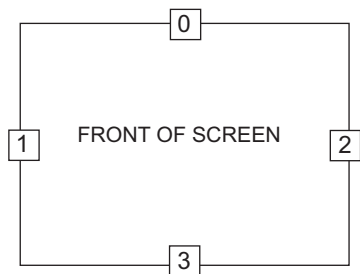
If an error code is displayed after the set has been correctly adjusted, check the following items: position, tilt and sizing. If any of these adjustments are off, even slightly, the auto-registration pattern will not hit the four sensors properly. This occurs when the internal generator patterns are being flashed on the screen for the sensors to read. Therefore, auto registration (called auto convergence) cannot operate properly, causing an error code to be displayed. In order for this function to operate properly, position, tilt and size must be adjusted properly.

### ERROR CODE LIST

ERROR CODE	DESCRIPTION	NOTE
00	No Error	
10	Sensor 0 low output	Check sensor 0, connection/wiring, circuit, and pattern position (are patterns hitting sensor?) adjust 66 VUP, 70 HMID if necessary.
11	Sensor 1 low output	Check sensor 1, connection/wiring, circuit, and pattern position (are patterns hitting sensor?) adjust 69 HLE, 67 VMID if necessary.
12	Sensor 2 low output	Check sensor 2, connection/wiring, circuit, and pattern position (are patterns hitting sensor?) adjust 71 HRIV, 67 VMID if necessary.
13	Sensor 3 low output	Check sensor 3, connection/wiring, circuit, and pattern position (are patterns hitting sensor?) adjust 68 VLOW, 70 HMID if necessary.
20	Sensor 0 high output	Check sensor 0 and circuit.
21	Sensor 1 high output	Check sensor 1 and circuit.
22	Sensor 2 high output	Check sensor 2 and circuit.
23	Sensor 3 high output	Check sensor 3 and circuit.
30	V CENT or SKEW adjustment loop overflow	Check 67 VMID data and check registration condition.
31	H CENT or SKEW adjustment loop overflow	Check 70 HMID data and check registration condition.
32	H LIN or SIZE adjustment loop overflow	Check 69 HLE and 71 HRIV data and check registration condition.
40	V CENT regi data overflow	Check 67 VMID data and confirm V CENT data (all modes) is not near 511.
41	H CENT regi data overflow	Check 70 HMID data and confirm H CENT data (all modes) is not near 511.
42	V SKEW regi data overflow	Check 67 VMID data and confirm V SKEW data (all modes) is not near 511.
43	H SKEW regi data overflow	Check 70 HMID data and confirm H SKEW data (all modes) is not near 511.
44	H LIN regi data overflow	Check 69 HLE and 71 HRIV data and confirm H CENT data (all modes) is not near 511.
45	H SIZE regi data overflow	Check 69 HLE and 71 HRIV data and confirm H CENT data (all modes) is not near 511.
50	V CENT regi data overdraw	Check 67 VMID data and confirm V CENT data (all modes) is not near -512.
51	H CENT regi data overdraw	Check 70 HMID data and confirm H CENT data (all modes) is not near -512.
52	V SKEW regi data overdraw	Check 67 VMID data and confirm V SKEW data (all modes) is not near -512.
53	H SKEW regi data overdraw	Check 70 HMID data and confirm H SKEW data (all modes) is not near -512.
54	H LIN regi data overdraw	Check 69 HLE and 71 HRIV data and confirm H CENT data (all modes) is not near -512.
55	H SIZE regi data overdraw	Check 69 HLE and 71 HRIV data and confirm V CENT data (all modes) is not near -512.
60	CENT/SKEW calibration loop overflow	Check 70 HMID and 67 VMID data and check registration condition.
61	SIZE/LIN calibration loop overflow	Check 69 HLE, 71 HRIV, 66 VUP, and 68 VLOW data and check registration condition.
70	V CENT/SKEW ratio limit	Check sensors 1 and 2, connection/wiring, circuit, increase 65 RTLM.
71	H CENT/SKEW ratio limit	Check sensors 0 and 3, connection/wiring, circuit, increase 65 RTLM.
73	H SIZE/Lin ratio limit	Check sensors 1 and 2, connection/wiring, circuit, increase 65 RTLM.
80	SIZE Limit Error	Check that horizontal SIZE data is not near 64 SZLM.

\* In the case of multiple errors, last error is displayed.

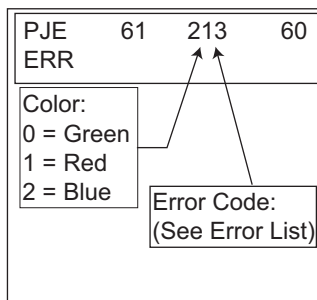
### SENSOR POSITIONS



0: UPPER SENSOR  
1: LEFT SENSOR  
2: RIGHT SENSOR  
3: LOWER SENSOR

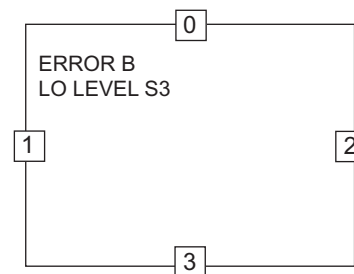
### • ERROR CODE SCREEN DISPLAY

Error codes in normal (customer) mode are not displayed. You must enter PJE service mode to see the error code.



(Blue Sensor 3 Low Output)

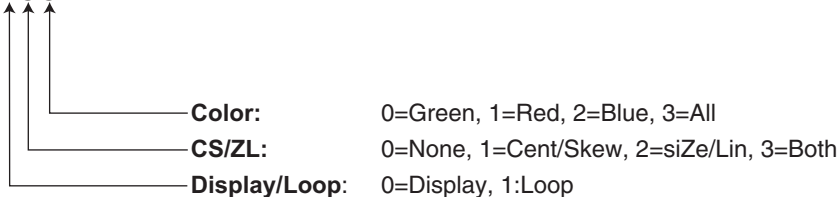
In service mode, the error will be displayed in text format.



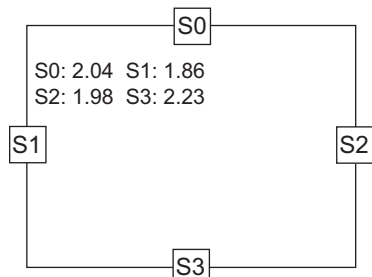
## 2-16. AUTO REGISTRATION DIAGNOSTICS

The TEST service item (PJE #72) can be used to determine if a sensor or sensor amplifier is working properly. It can also be used to check pattern positions.

**133**



DISPLAY/ LOOP	CS/ZL	COLOR	ACTION
(0)	0	0	Normal calibration (no diagnostics).
(0)	X	X	Performs one adjustment cycle, then displays average peak voltages for the specified CS/ZL and Color.
(0)	3	3	Does nothing (can't display more than one CS/ZL or Color at a time.)
1	X	X	Adjusts specified CS/ZL and Color until a key is pressed. Useful for measuring signals with oscilloscope.






Sensor 0 peak voltage = 2.04 V, etc.

## SECTION 3: SAFETY-RELATED ADJUSTMENTS


### D BOARD

#### 3-1. HV REGULATION CIRCUIT CHECK AND ADJUSTMENT

When replacing the following components marked with a  on the schematic diagram always check the HV regulation, and if necessary re-adjust.

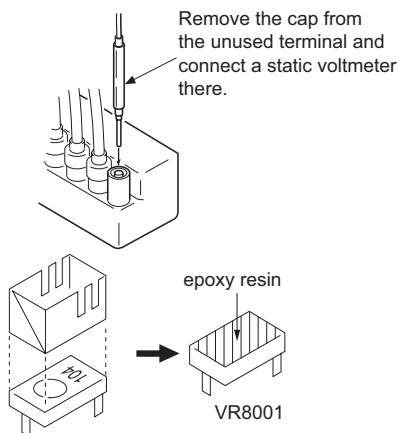
Part Replaced (  )	Adjustment (  )
<b>A BOARD:</b> HV Block, T8005 (FBT), T8004 (LOT), R8129, D8038, R8128, C8129, R8223, R8102, R8230, R8055, R8153, C8083, R8139, C8079, D8051, D8013, R8140, D8043, R8163, C8090, D8015, R8142, R8131, Q8021, IC8006, D Board	<b>HV REGULATOR</b> VR8001

#### OPERATION CHECK


1. Receive the all white signal.
2. Set PIC MAX/BRT CENT.
3. Confirm that the voltage between CN8015  PIN and GND is less than 7.80VDC.

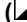

#### HV REGULATION ADJUSTMENT

1. Connect a HV static voltmeter to the unconnected plug of the high-voltage block.
2. Power on the set.
3. Repeat steps 1 and 2 as above.
4. Confirm that the static voltmeter reading is  $31.0 \pm 0.4V$ .
5. If not, adjust with VR8001 to the specified value.
6. After adjustment, put the VR cover on VR8001 (as shown below) and apply sufficient amount of epoxy resin around VR8001.



#### 3-2. HV HOLD DOWN CIRCUIT OPERATION CHECK AND ADJUSTMENT

When replacing the following components marked with a  on the schematic diagram always check the hold-down voltage and re-adjust when necessary.

Part Replaced (  )	Adjustment (  )
<b>A BOARD:</b> HV Block, T8005 (FBT), T8004 (LOT), C8123, C8124, Q8043, Q8035, C8104, R8171, D8036, R8043, R8035, C8088, C8086, R8159, D8022, C8054, R8166, C8100, IC8008, D8019, D8020, R8201, C8118, D8028, R8196, FB8001, D Board	<b>HV HOLD DOWN</b> VR8002

#### OPERATION CHECK

1. Receive the dot signal.
2. Set PIC MIN/BRT MIN.
3. Confirm that the voltage between cathode of D8038 (JW171) and GND is more than 23.0V DC.
4. Using an external DC Power supply, apply the voltage shown below between cathode of D8038 (JW171) on "D" and GND, then confirm that the HV-Prot circuit works. (Raster disappears)  
Apply DC voltage: Less than 29.05V DC.

#### HV HOLD-DOWN ADJUSTMENT

1. Connect a HV static voltmeter to the unconnected plug of the high-voltage block.
2. Power on the set.
3. Connect an external 10kΩ VR at CN8015 and adjust this VR so that the high voltage is 34.50kV.
4. Adjust VR8002 to the point that the HV-Prot circuit works (Raster disappears) at  $34.50 \pm 0.50kV$  reading on the static voltmeter.
5. After adjustment, put the VR cover on VR8002 and apply sufficient amount of epoxy resin around VR8002 as the same manner for VR8001.

## G BOARD

### 3-3. +B MAX VOLTAGE CONFIRMATION

The following adjustments should always be performed when replacing IC6503 R6518.

1. Supply 130VAC to variable autotransformer.
2. Receive dot signal pattern and set the PICTURE and BRIGHTNESS settings to their minimum.
3. Confirm the voltage of TP +B 135V is less than 137.0Vdc.
4. If step 3 is not satisfied, replace IC6503 and repeat steps 1-3.

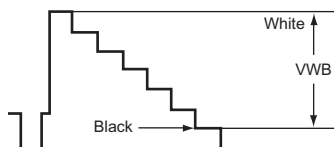
### 3-4. +B OVP CONFIRMATION

1. Add to low voltage power supply between to TP. 6502 and ground.
2. Supply 120VAC to variable autotransformer.
3. Power on the Set and receive dot signal pattern.
4. Set the PICTURE and BRIGHTNESS settings.
5. Check the OVP is activated.  
Operate :less than 2.50V

## SECTION 4: CIRCUIT ADJUSTMENTS

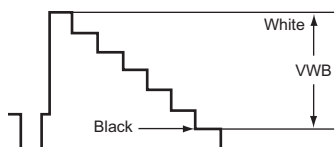
### 4-1. P & P SUB CONTRAST ADJUSTMENT (VIDEO) (SCON)

- Receive the signal.  
VIDEO 1 terminal Composite: Color-bar (white-75%, 7.5% setup)
- VIDEO MODE : Pro  
PICTURE : Maximum  
COLOR : Minimum  
2170P2 1 RGB : 2
- Set to P & P mode, and receive the color bars in both main and sub (left and right), and set to service mode.
- Connect an oscilloscope between the check point and ground.  
Check points : CN13 pin C20 (Main)  
: CN13 pin A19 (Sub)
- Select "2103-1-02" (Main scon), and adjust so that the waveform level of VWB is  $1.86 \pm 0.03V_{p-p}$ .
- Select "2103-2-02" (Sub scon), and adjust so that the waveform level of VWB is  $1.86 \pm 0.03V_{p-p}$ .
- Write the data into memory.  
"MUTING" → "ENTER"



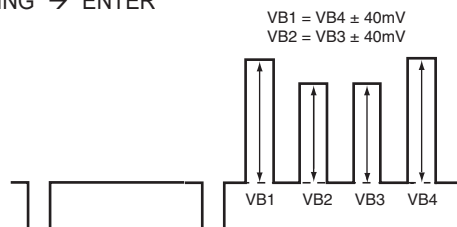
### 4-2. P & P SUB CONTRAST ADJUSTMENT (RF) (SCON)

- Receive the signal.  
TV terminal RF : Color-bar (white-75%, 7.5% setup)
- VIDEO MODE : Pro  
PICTURE : Maximum  
COLOR : Minimum  
2170P2 1 RGB : 2
- Set to P & P mode, and receive the color bars in both main and sub (left and right), and set to service mode.
- Connect an oscilloscope between the check point and ground.  
Check points : CN13 pin C20 (Main)  
: CN13 pin A19 (Sub)
- Select "2103-1-02" (Main scon), and adjust so that the waveform level of VWB is  $1.86 \pm 0.03V_{p-p}$ .
- Select "2103-2-02" (Sub scon), and adjust so that the waveform level of VWB is  $1.86 \pm 0.03V_{p-p}$ .
- Write the data into memory.  
"MUTING" → "ENTER"



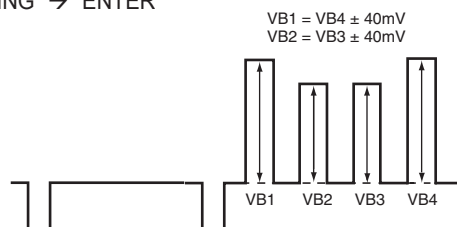
### 4-3. P & P SUB-HUE AND SUB-COLOR ADJUSTMENT VIDEO (SHUE, SCOL)

- Receive the signal.  
VIDEO 1 terminal Composite: Color-bar (white-75%, 7.5% setup)
- VIDEO MODE : Pro  
PICTURE : Maximum  
COLOR : Center  
RGB : 7
- Set to P & P mode, and receive the color bars in both main and sub (left and right), set to service mode.
- Connect an oscilloscope between pin ③ of CN702 (A board) connector and ground.
- Select "2103-1-03 SCOL, -04 SHUE" (Main), and adjust them to have  $VB1 \leq VB4$  and  $VB2 \leq VB3$  in the waveform levels.
- Select "2103-2-03 SCOL, -04 SHUE" (Sub), and adjust them to have  $VB1 \leq VB4$  and  $VB2 \leq VB3$  in the waveform levels.
- Write the data into memory.  
"MUTING" → "ENTER"



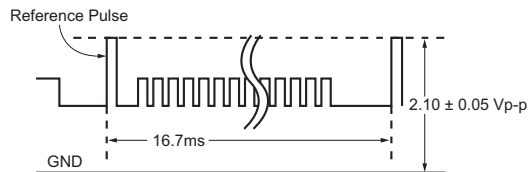
### 4-4. P & P SUB-HUE AND SUB-COLOR ADJUSTMENT (RF) (SHUE, SCOL)

- Receive the signal.  
TV terminal Composite: Color-bar (white-75%, 7.5% setup)
- VIDEO MODE : Pro  
PICTURE : Maximum  
COLOR : Center  
RGB : 7
- Set to P & P mode, and receive the color bars in both main and sub (left and right), set to service mode.
- Connect an oscilloscope between pin ③ of CN702 (A board) connector and ground.
- Select "2103-1-03 SCOL, -04 SHUE" (Main), and adjust them to have  $VB1 \leq VB4$  and  $VB2 \leq VB3$  in the waveform levels.
- Select "2103-2-03 SCOL, -04 SHUE" (Sub), and adjust them to have  $VB1 \leq VB4$  and  $VB2 \leq VB3$  in the waveform levels.
- Write the data into memory.  
"MUTING" → "ENTER"



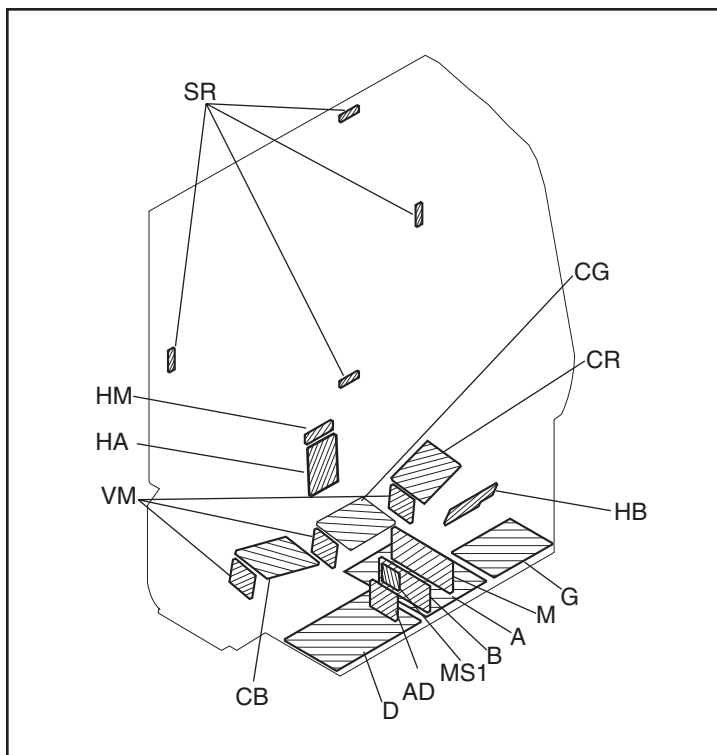
#### 4-5. BLUE OFFSET ADJUSTMENT

1. Receive the all black (1080i, component) signal with VIDEO 5 input, and set PICTURE to maximum.
2. Connect an oscilloscope between CN507 ⑦ pin (B) on the (A board) and ground.
3. Set in the service mode and select the category "2170D-2".
4. Adjust "3 SLIN" so that the waveform level is  $2.10 \pm 0.05V_{pp}$ .
5. After completing the adjustments, write the data into memory. "MUTING" → "ENTER".
6. Receive the RF signal and change the wide screen mode to "Wide Zoom". Copy the same data to "3 SLIN".



## SECTION 5: DIAGRAMS

### 5-1. CIRCUIT BOARDS LOCATION



### 5-2. PRINTED WIRING BOARDS AND SCHEMATIC DIAGRAMS INFORMATION

All capacitors are in  $\mu\text{F}$  unless otherwise noted.  $\text{pF}$  :  $\mu\text{F}$  50WV or less are not indicated except for electrolytics and tantalums.

All electrolytics are in 50V unless otherwise specified.

All resistors are in ohms. K=1000, M=1000k

Indication of resistance, which does not have one for rating electrical power, is as follows: Pitch : 5mm

Rating electrical power :  $\frac{1}{4}$  W

$\frac{1}{4}$  W in resistance,  $\frac{1}{10}$  W and  $\frac{1}{8}$  W in chip resistance.

: nonflammable resistor.

: fusible resistor.

$\Delta$  : internal component.

: panel designation and adjustment for repair.

$\perp$  : earth ground

$\text{---}\text{---}$  : earth-chassis

All variable and adjustable resistors have characteristic curve B, unless otherwise noted.

Readings are taken with a NTSC color-bar signal input.

Readings are taken with a 10M digital multimeter.

Voltages are DC with respect to ground unless otherwise noted.

Voltage variations may be noted due to normal production tolerances.

All voltages are in V.

S : Measurement impossibility.

: B+ line

: B-line. (Actual measured value may be different).

: signal path. (RF)

Circled numbers are waveform references.

The components identified by in this basic schematic diagram have been carefully factory-selected for each set in order to satisfy regulations regarding X-ray radiation. Should replacement be necessary, replace only with the value originally used.

When replacing components identified by , make the necessary adjustments as indicated. If the results do not meet the specified value, change the component identified by and repeat the adjustment until the specified value is achieved.

(Refer to adjustments in Sections 3-1 and 3-2.)


When replacing the parts listed in the table below, it is important to perform the related adjustments.


Part Replaced ()	Adjustment ()
<b>A BOARD:</b> HV Block, T8005 (FBT), T8004 (LOT), R8129, D8038, R8128, C8129, R8223, R8102, R8230, R8055, R8153, C8083, R8139, C8079, D8051, D8013, R8140, D8043, R8163, C8090, D8015, R8142, R8131, Q8021, IC8006, D Board	<b>HV REGULATOR</b> VR8001
<b>A BOARD:</b> HV Block, T8005 (FBT), T8004 (LOT), C8123, C8124, Q8043, Q8035, C8104, R8171, D8036, R8043, R8035, C8088, C8086, R8159, D8022, C8054, R8166, C8100, IC8008, D8019, D8020, R8201, C8118, D8028, R8196, FB8001, D Board	<b>HV HOLD DOWN</b> VR8002





## REFERENCE INFORMATION

RESISTOR	: RN	METAL FILM
	: RC	SOLID
	: FPRD	NONFLAMMABLE CARBON
	: FUSE	NONFLAMMABLE FUSIBLE
	: RW	NONFLAMMABLE WIREWOUND
	: RS	NONFLAMMABLE METAL OXIDE
COIL	: RB	NONFLAMMABLE CEMENT
	: ※	ADJUSTMENT RESISTOR
COIL	: LF-8L	MICRO INDUCTOR
CAPACITOR	: TA	TANTALUM
	: PS	STYROL
	: PP	POLYPROPYLENE
	: PT	MYLAR
	: MPS	METALIZED POLYESTER
	: MPP	METALIZED POLYPROPYLENE
	: ALB	BIPOLAR
	: ALT	HIGH TEMPERATURE
	: ALR	HIGH RIPPLE




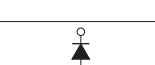



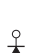


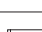
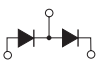




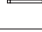
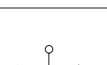

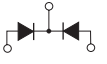
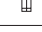


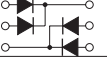



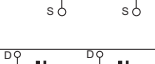
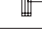
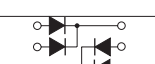





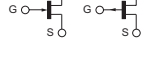





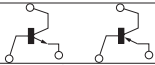

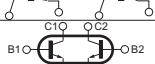


The components identified by shading and  symbol are critical for safety. Replace only with part number specified.

The symbol  indicates a fast operating fuse and is displayed on the component side of the board. Replace only with fuse of the same rating as marked.

Les composants identifiés par un trame et une marque  sont critiques pour la securite. Ne les remplacer que par une piece portant le numero specifie.

Le symbole  indique une fusible a action rapide. Doit etre remplace par une fusible de meme yaleur, comme maque.

Terminal name of semiconductors in silk screen printed circuit ( \* )

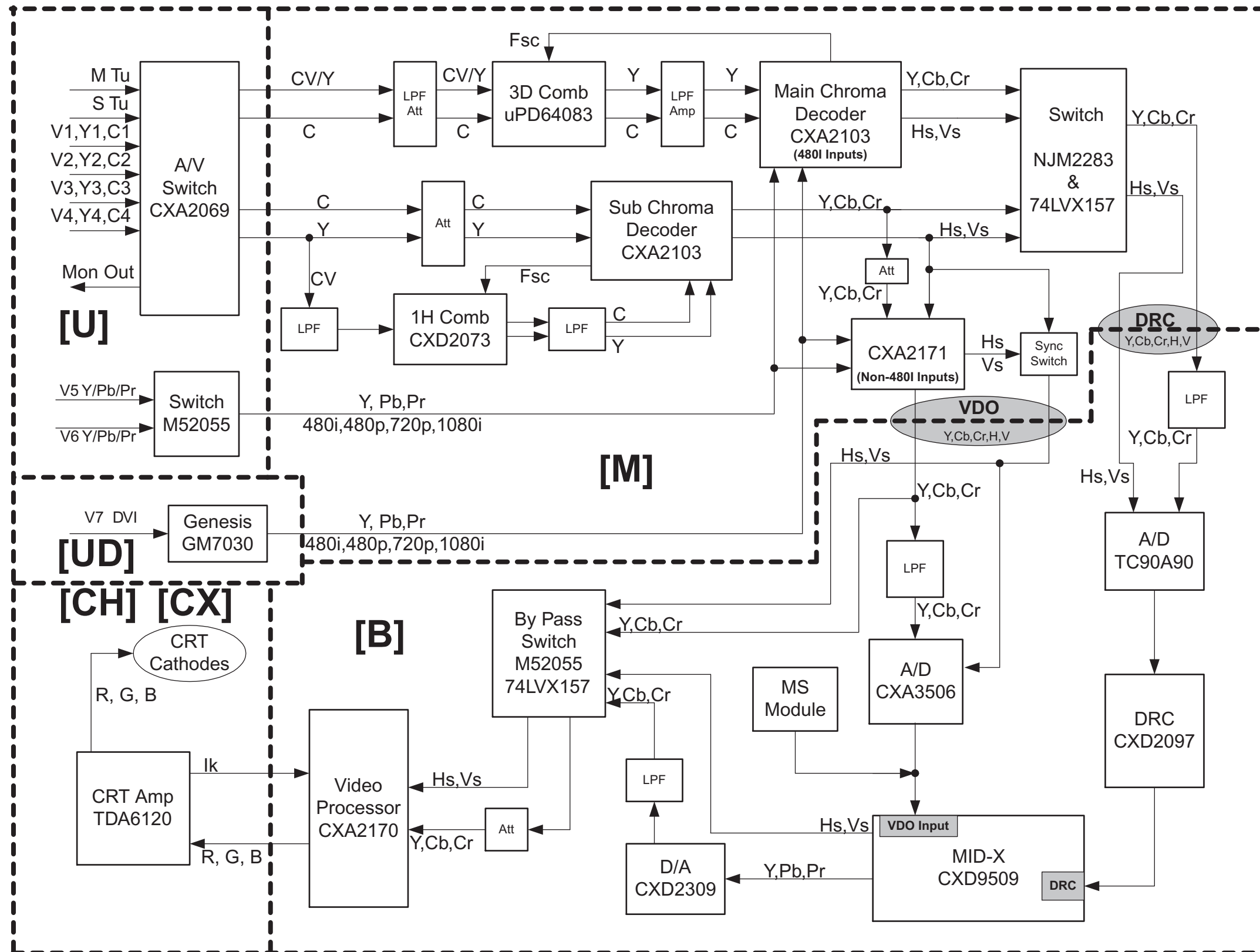
	Device	Printed symbol	Terminal name	Circuit
①	Transistor		Collector Base Emitter	
②	Transistor		Collector Base Emitter	
③	Diode		Cathode Anode	
④	Diode		Cathode Anode (NC)	
⑤	Diode		Cathode Anode (NC)	
⑥	Diode		Common Anode Cathode	
⑦	Diode		Common Anode Cathode	
⑧	Diode		Common Anode Anode	
⑨	Diode		Common Anode Anode	
⑩	Diode		Common Cathode Cathode	
⑪	Diode		Common Cathode Cathode	
⑫	Diode		Anode Anode Cathode Anode	
⑬	Transistor (FET)		Drain Source Gate	
⑭	Transistor (FET)		Drain Source Gate	
⑮	Transistor (FET)		Source Drain Gate	
⑯	Transistor		Emitter Collector Base	
⑰	Transistor		C2 B1 E1 E2 B2 C1	
⑱	Transistor		C1 B2 E2 E1 B1 C2	
⑲	Transistor		C1 B2 E2 E1 B1 C2	
⑳	Transistor		C1 B2 E2 E1 B1 C2	
㉑	Transistor		E2 B1 E1 C2 C1(B2)	
㉒	Transistor		(B2) B1 E1 E2 C1 C2	
㉓	Transistor		(B2) E2 E1 B1 C2 C1	
-	Discrete semiconductor			

(Chip semiconductors that are not actually used are included.)

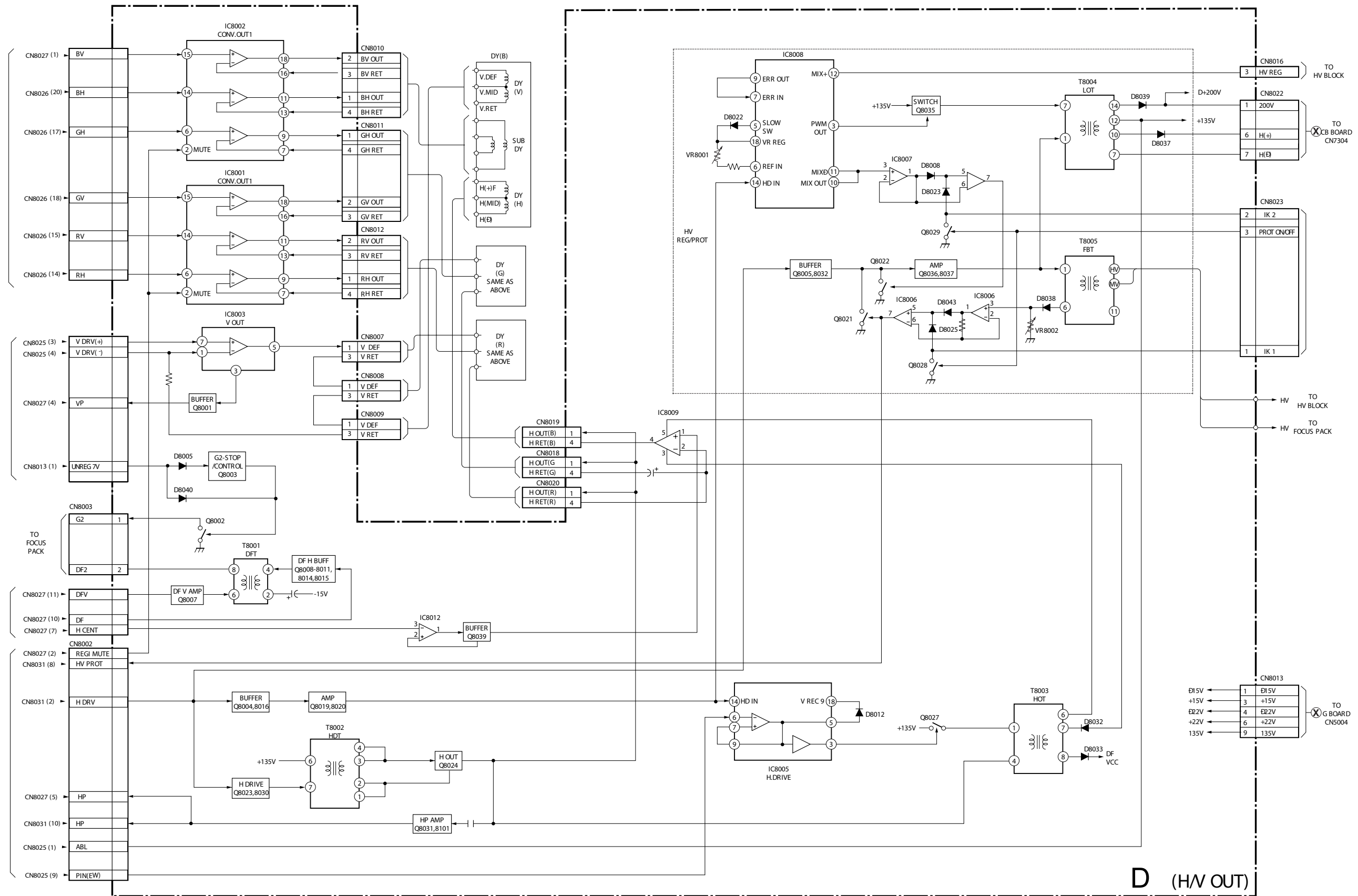
Ver.1.6

5-3. BLOCK DIAGRAMS

SIGNAL FLOW BLOCK DIAGRAM

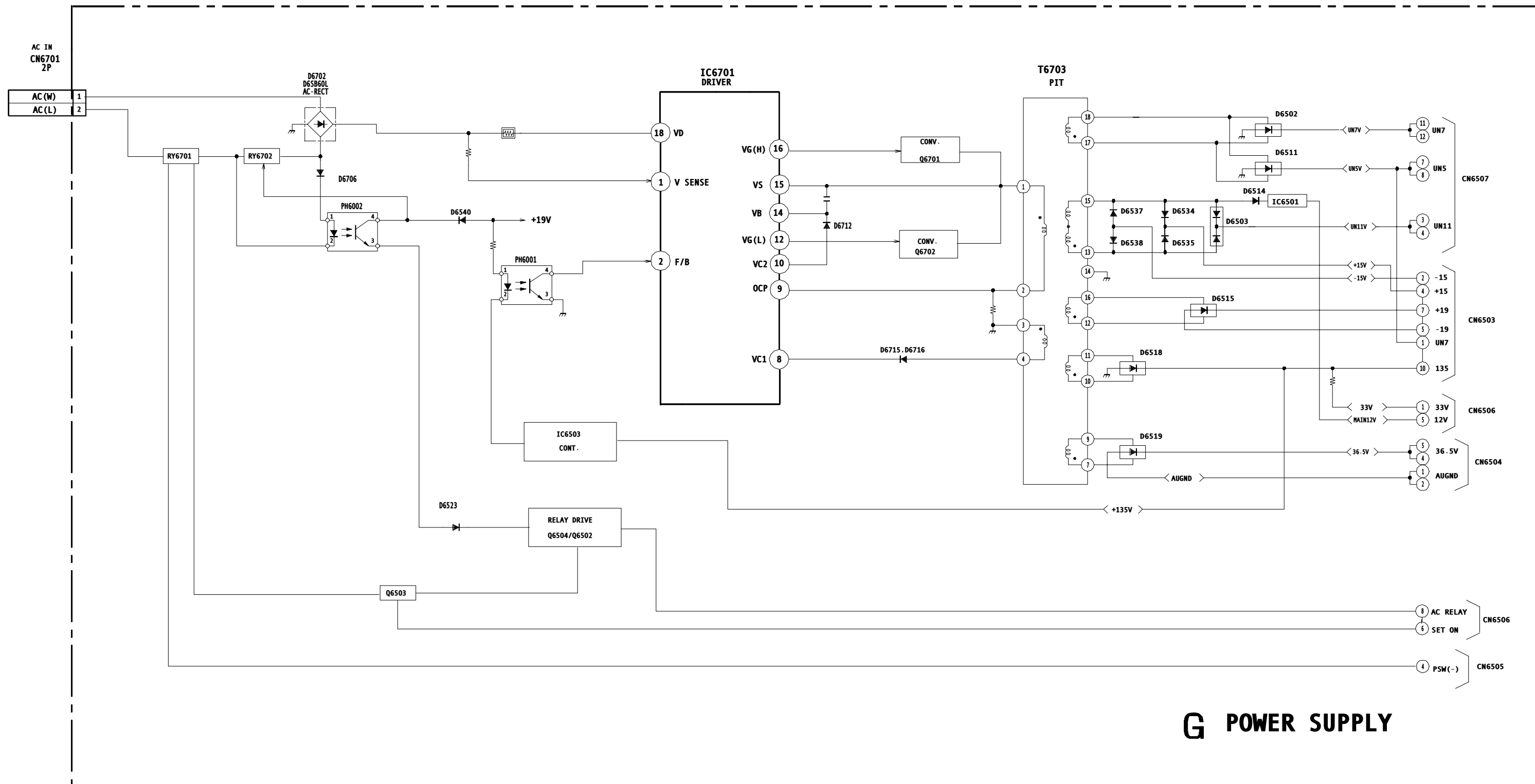


DEFLECTION BLOCK DIAGRAM



D (HV OUT)

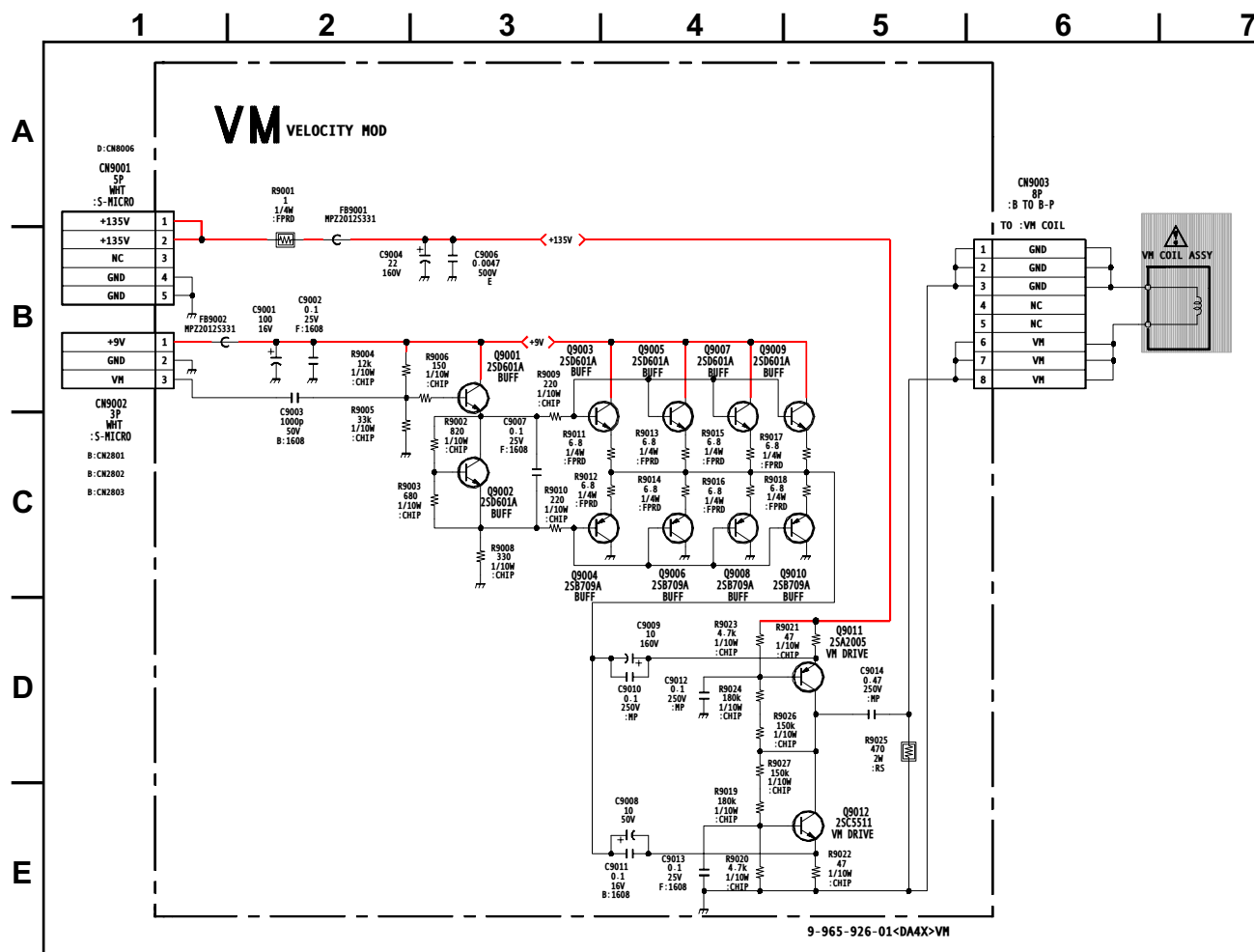
POWER SUPPLY BLOCK DIAGRAM



**G POWER SUPPLY**

## 5-4. SCHEMATICS AND SUPPORTING INFORMATION

### VM BOARD SCHEMATIC DIAGRAM



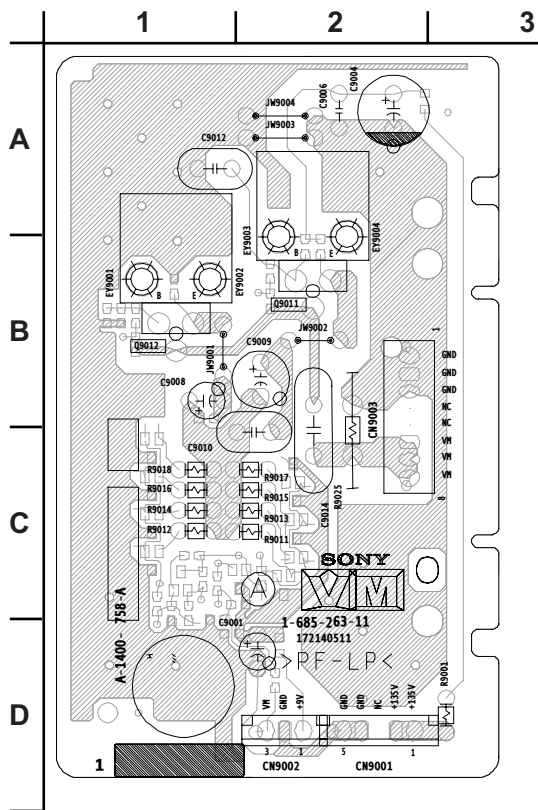
### VM BOARD TRANSISTOR TABLE

	B	C	E
Q9001	0.0	9.0	5.2
Q9002	3.6	GND	4.3
Q9003	5.1	9.0	4.5
Q9004	3.6	GND	4.3
Q9005	5.1	9.0	4.5
Q9006	3.6	GND	4.3
Q9007	5.1	9.0	4.5
Q9008	3.6	GND	4.3
Q9009	5.1	9.0	4.5
Q9010	0.8	66.7	0.2
Q9011	133.8	66.7	134.3
Q9012	0.3	66.7	0.1

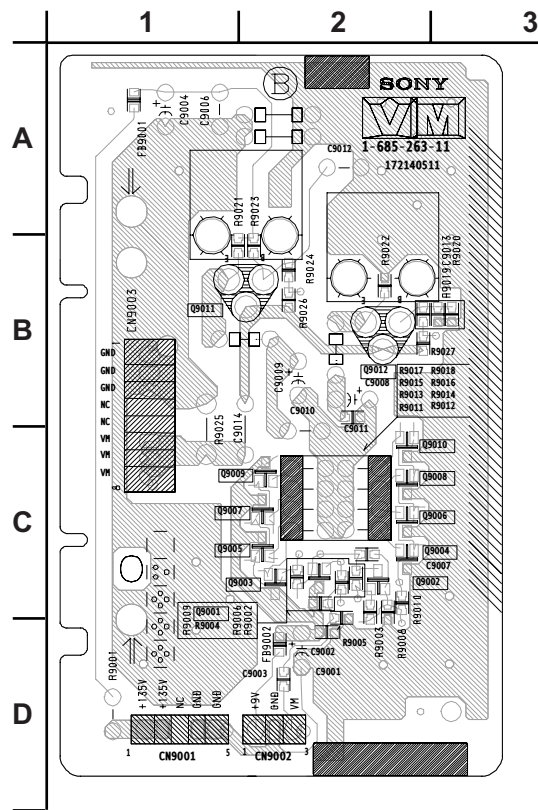
All voltages are in V.



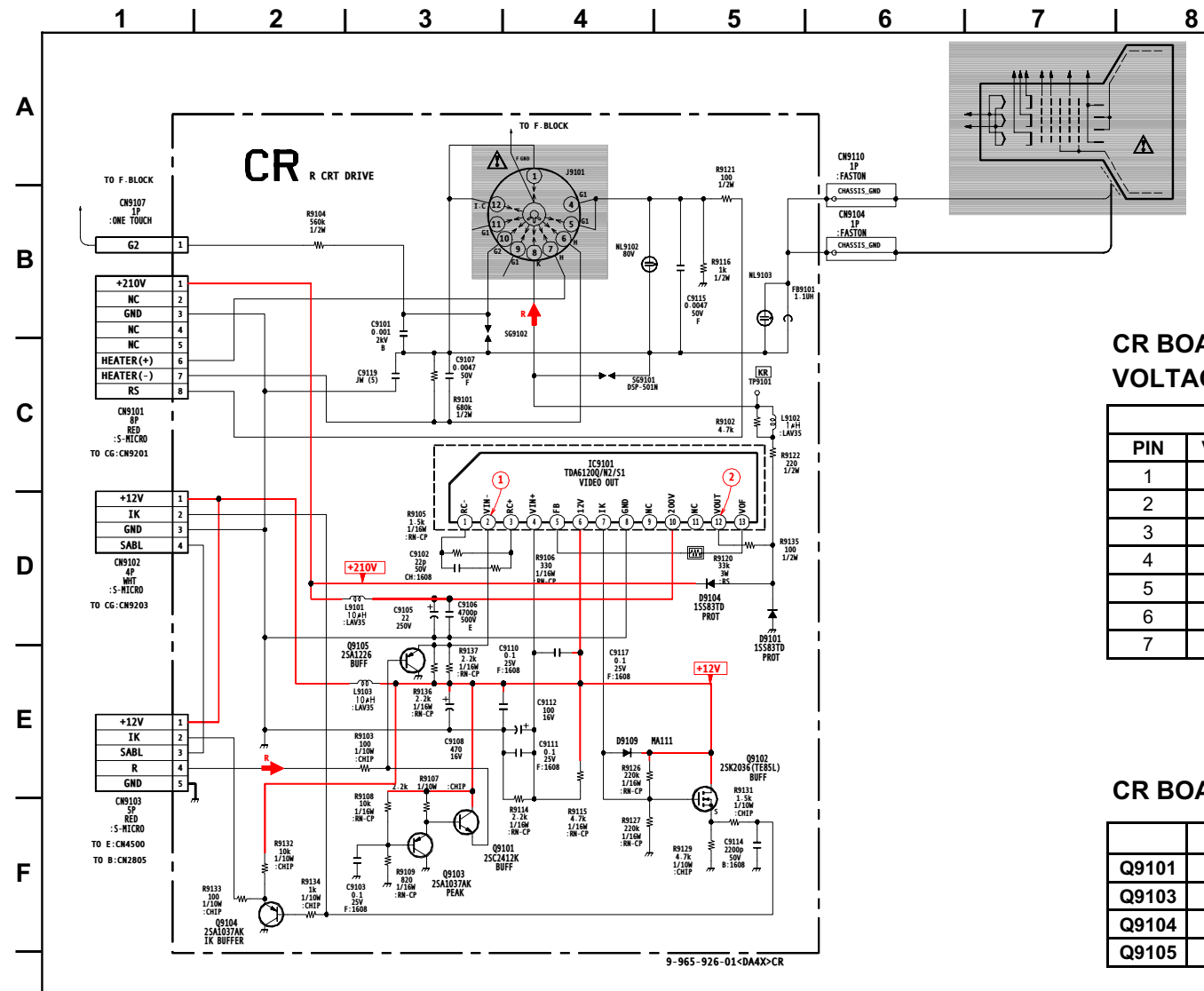
[VELOCITY MOD]  
COMPONENT SIDE



CONDUCTOR SIDE



CR BOARD SCHEMATIC DIAGRAM



CR BOARD IC  
VOLTAGE TABLE

IC9101			
PIN	VOLT	PIN	VOLT
1	0.0	8	GND
2	3.5	9	N/C
3	5.0	10	200.0
4	3.5	11	N/C
5	0.0	12	144.4
6	12.0	13	2.2
7	9.4	All voltages are in V.	

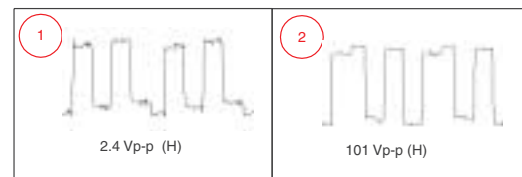
CR BOARD TRANSISTOR TABLE

	B	C	E
Q9101	2.2	12.0	2.7
Q9103	1.6	GND	2.2
Q9104	8.4	GND	8.5
Q9105	2.8	GND	3.7

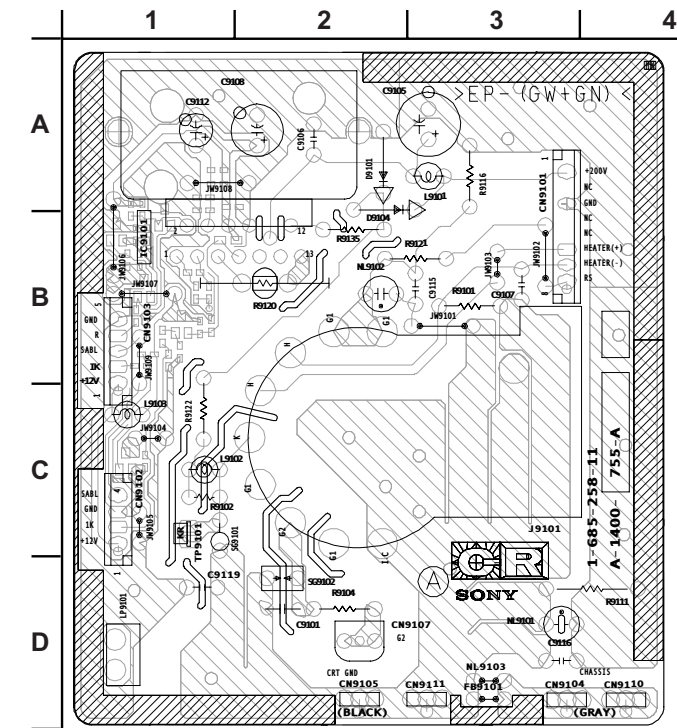
	D	G	S
Q9102	12.0	8.3	8.9

All voltages are in V.

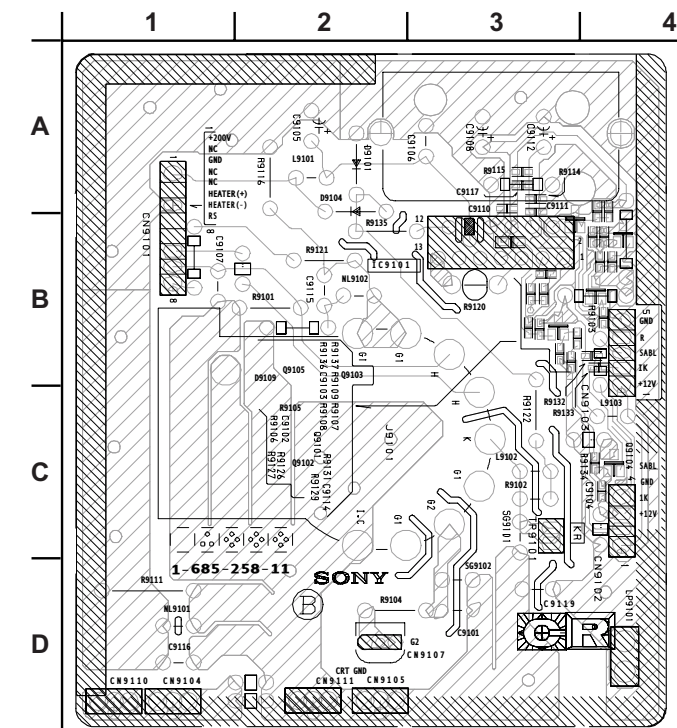
CR BOARD WAVEFORMS



CR [R CRT DRIVE]  
COMPONENT SIDE

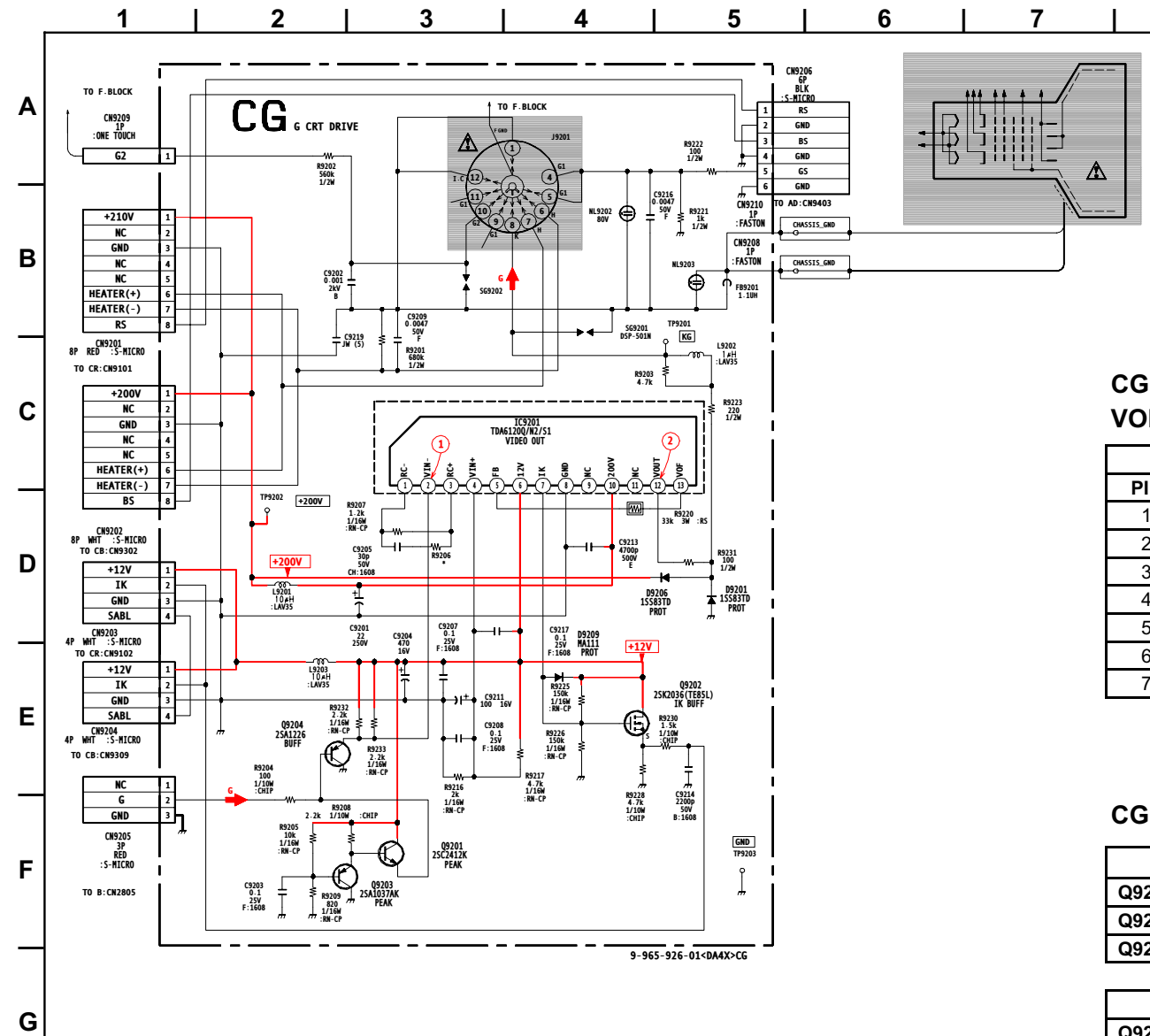


CONDUCTOR SIDE

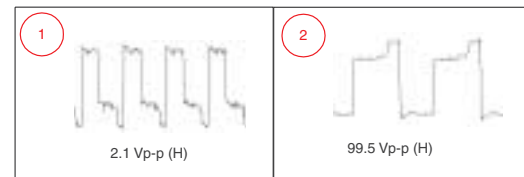




CG BOARD SCHEMATIC DIAGRAM



CG BOARD WAVEFORMS



CG BOARD IC  
VOLTAGE TABLE

IC9201			
PIN	VOLT	PIN	VOLT
1	0.0	8	GND
2	3.5	9	N/C
3	5.0	10	200.0
4	3.5	11	N/C
5	0.0	12	144.4
6	12.0	13	2.2
7	9.4		All voltages are in V.

CG BOARD TRANSISTOR TABLE

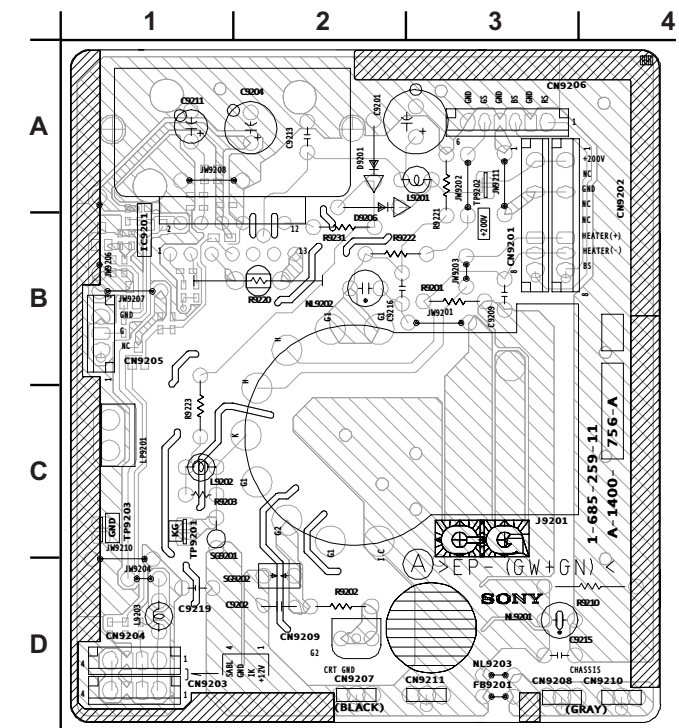
	B	C	E
Q9201	2.2	12.0	2.7
Q9203	1.6	GND	2.2
Q9204	2.8	GND	3.7

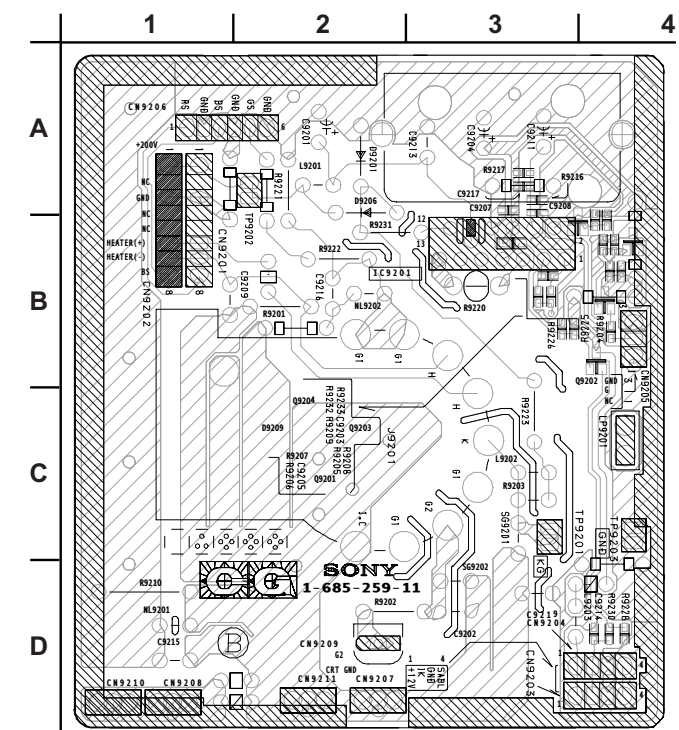
	D	G	S
Q9202	12.0	8.7	9.3

All voltages are in V.

CG [G CRT DRIVE]  
COMPONENT SIDE

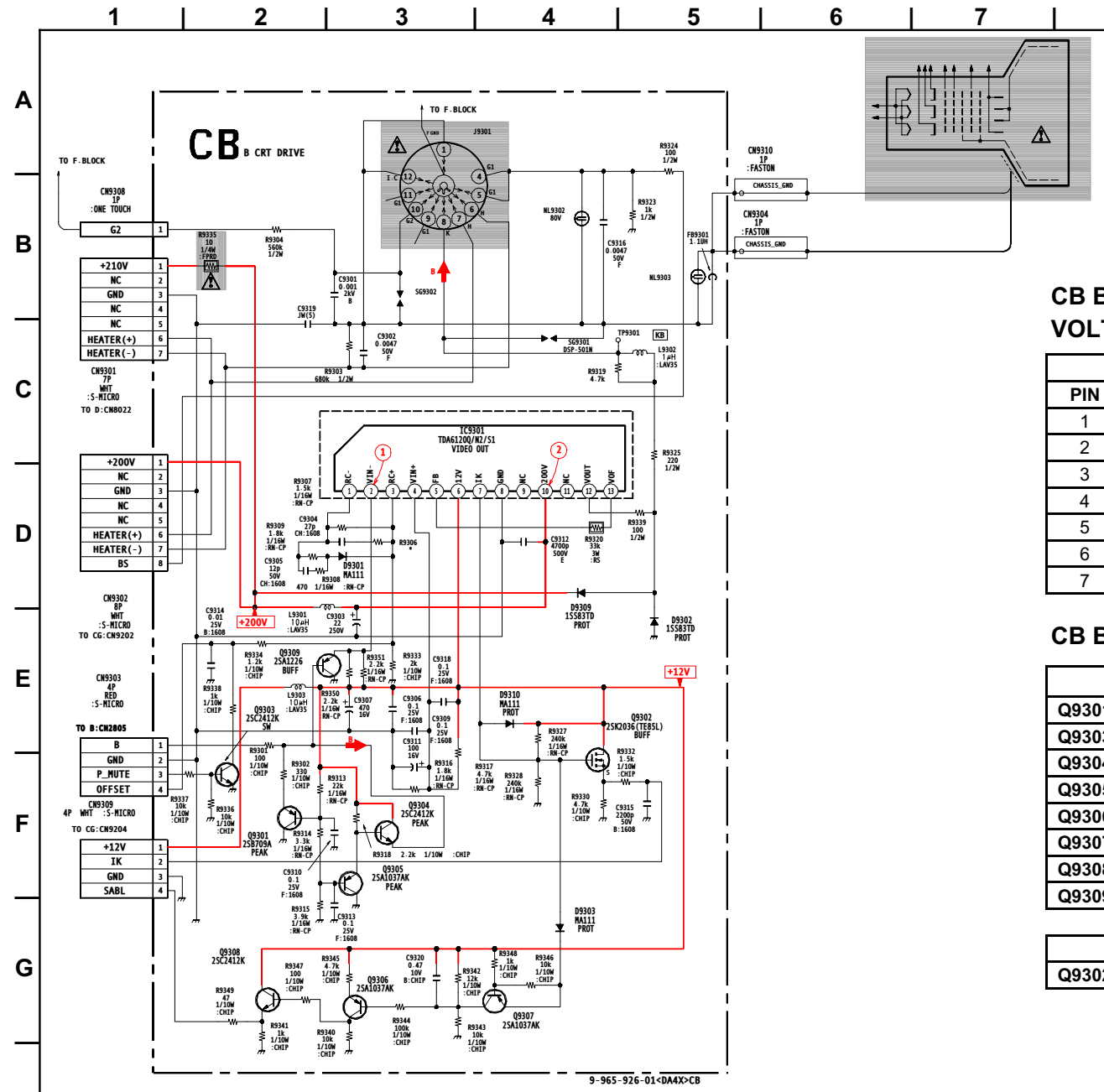


CONDUCTOR SIDE





CB BOARD SCHEMATIC DIAGRAM



CB BOARD IC  
VOLTAGE TABLE

IC9301			
PIN	VOLT	PIN	VOLT
1	0.0	8	GND
2	3.5	9	N/C
3	5.0	10	200.0
4	3.5	11	N/C
5	0.0	12	144.4
6	12.0	13	2.2
7	9.4	All voltages are in V.	

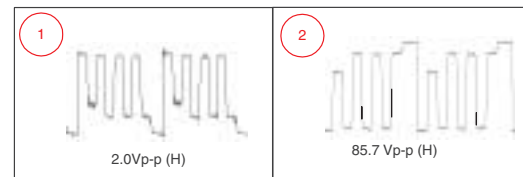
CB BOARD TRANSISTOR TABLE

	B	C	E
Q9301	3.9	GND	2.7
Q9303	0.0	0.0	GND
Q9304	2.3	12.0	2.7
Q9305	1.7	GND	2.3
Q9306	7.3	7.7	7.8
Q9307	11.7	5.4	11.8
Q9308	7.7	11.7	7.0
Q9309	2.8	GND	3.7

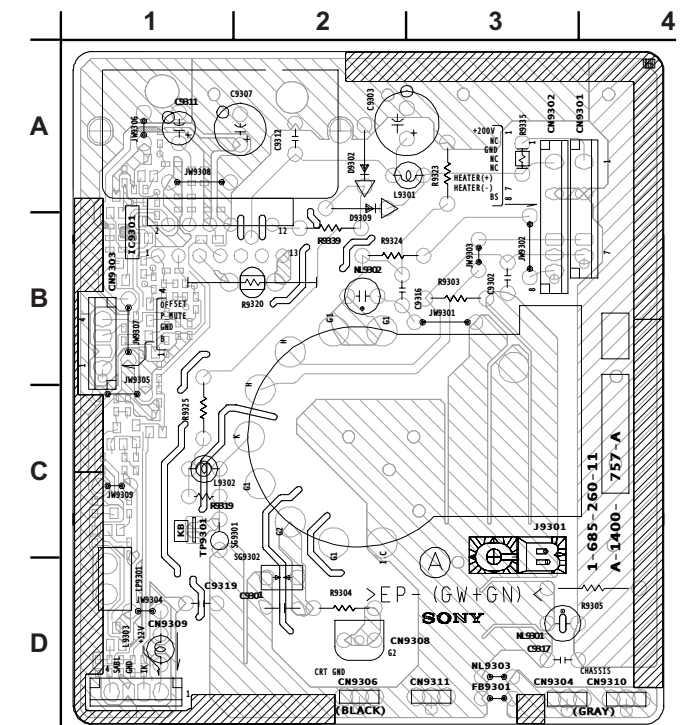
	D	G	S
Q9302	12.0	8.5	9.2

All voltages are in V.

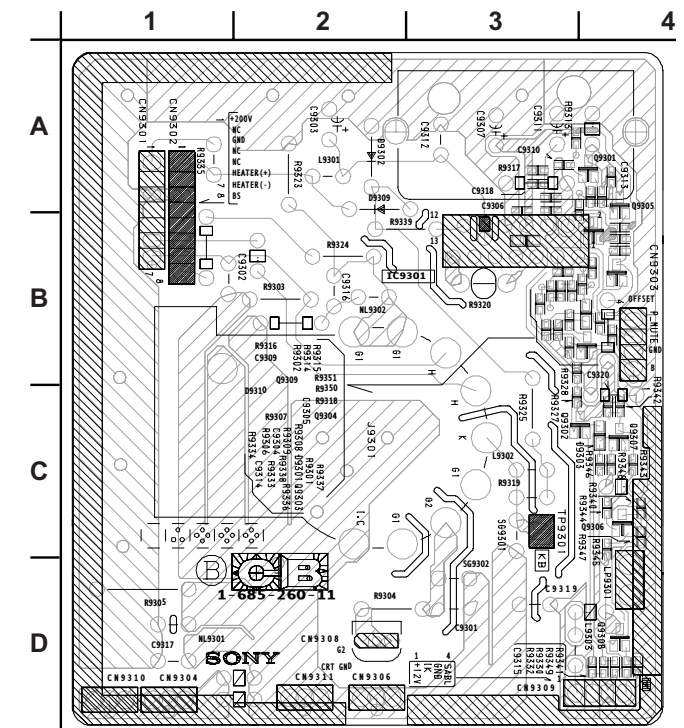
CB BOARD WAVEFORMS



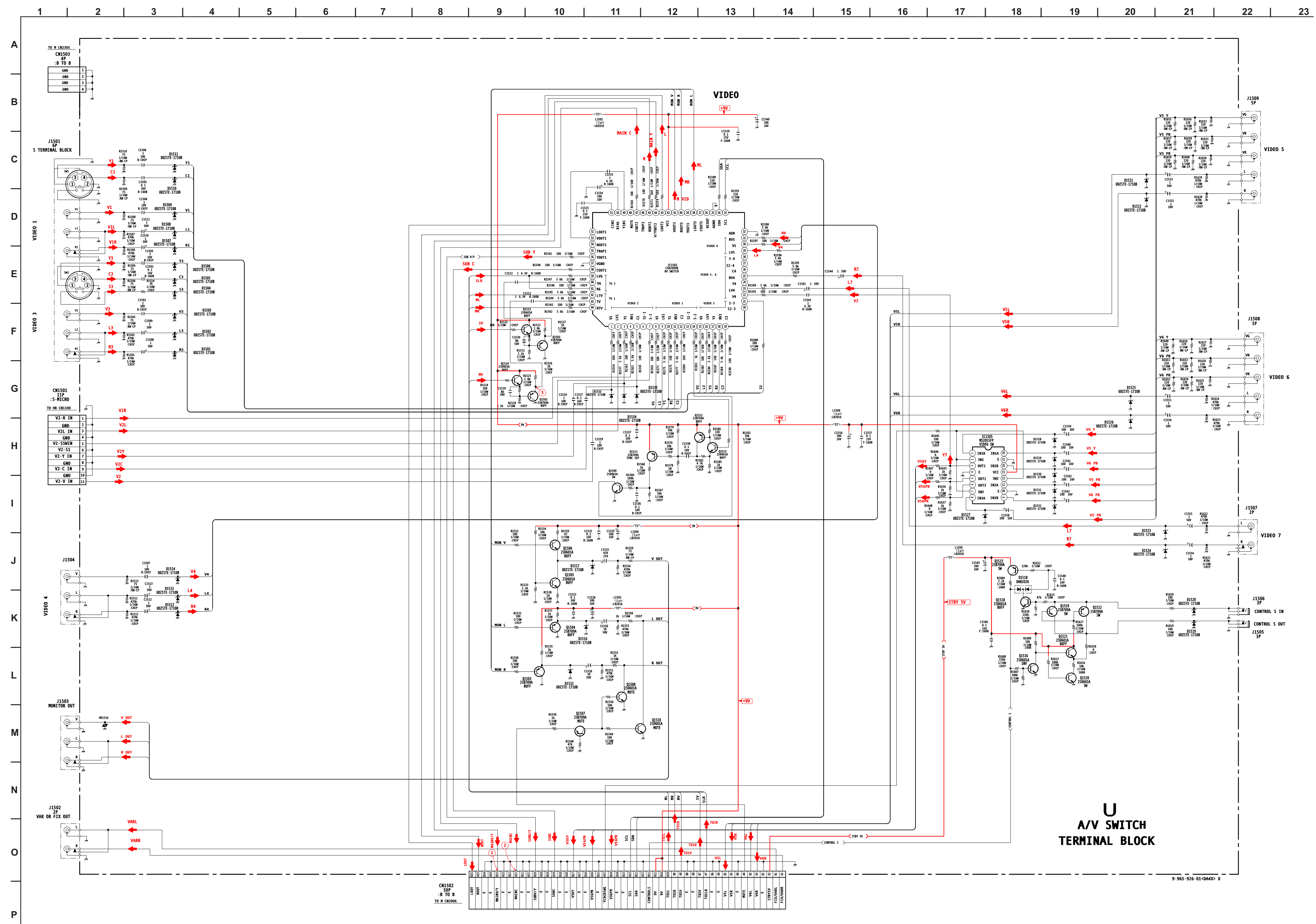
CB [B CRT DRIVE]  
COMPONENT SIDE



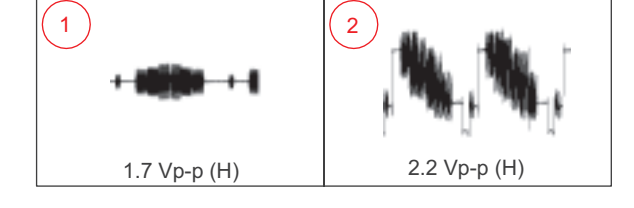
CONDUCTOR SIDE



U BOARD SCHEMATIC DIAGRAM



U BOARD WAVEFORMS



U BOARD IC VOLTAGE LIST

IC1502		21	4.9	43	4.5	IC1505	
PIN	VOLT					PIN	VOLT
1	3.9	23	4.5	45	4.5	1	4.7
2	4.5	24	N/C	46	N/C	2	0.0
3	3.9	25	4.5	47	4.4	3	3.2
4	4.5	26	N/C	48	N/C	4	GND
5	4.5	27	N/C	49	4.9	5	3.2
6	N/C	28	N/C	50	4.5	6	3.2
7	4.9	29	4.5	51	4.5	7	0.0
8	4.3	30	3.9	52	N/C	8	4.6
9	4.5	31	4.5	53	4.4	9	4.6
10	3.9	32	GND	54	N/C	10	GND
11	4.5	33	4.6	55	N/C	11	4.7
12	4.5	34	4.6	56	4.1	12	0.0
13	N/C	35	GND	57	GND	13	9.0
14	4.9	36	N/C	58	4.4	14	4.7
15	3.9	37	N/C	59	4.5	15	GND
16	4.5	38	4.5	60	5.0	16	4.7
17	3.9	39	N/C	61	4.5		
18	4.5	40	4.5	62	4.5		
19	4.5	41	4.4	63	4.9		
20	N/C	42	9.0	64	4.5		

All voltages are in V.

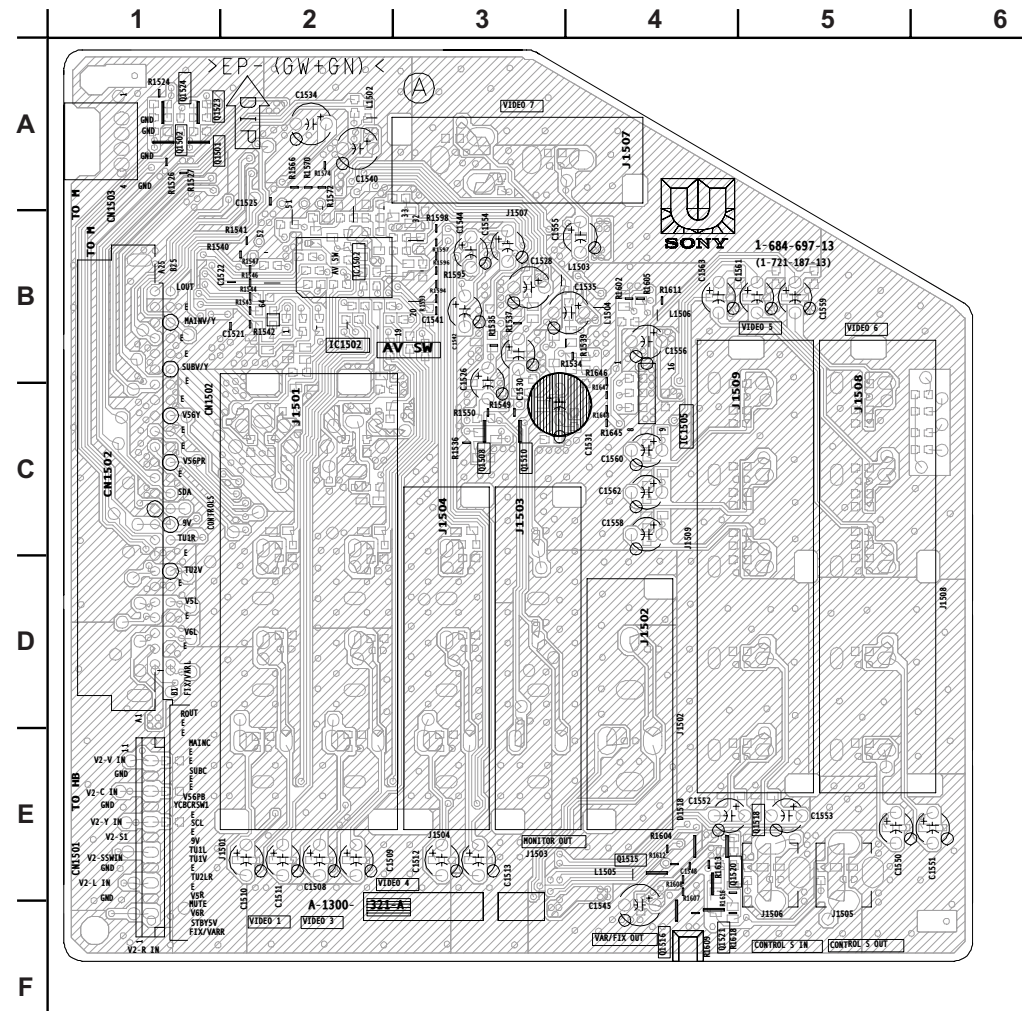
U BOARD TRANSISTOR TABLE

	B	C	E
Q1501	2.0	GND	2.7
Q1502	3.3	GND	4.0
Q1503	4.5	GND	5.2
Q1504	4.5	GND	5.2
Q1505	1.6	3.7	0.9
Q1506	4.4	8.3	3.8
Q1507	0.0	0.0	0.0
Q1508	0.0	0.0	GND
Q1509	0.0	4.9	GND
Q1510	0.0	0.0	GND
Q1511	8.5	0.0	9.0
Q1512	8.4	5.3	9.0
Q1513	3.8	8.4	3.2
Q1515	4.9	4.2	5.0
Q1516	0.6	0.1	GND
Q1518	0.0	4.9	GND
Q1519	5.0	0.0	0.0
Q1520	0.6	0.0	GND
Q1521	0.1	5.0	0.0
Q1522	5.0	0.0	0.0
Q1523	4.5	9.0	3.9
Q1524	6.5	9.0	3.9

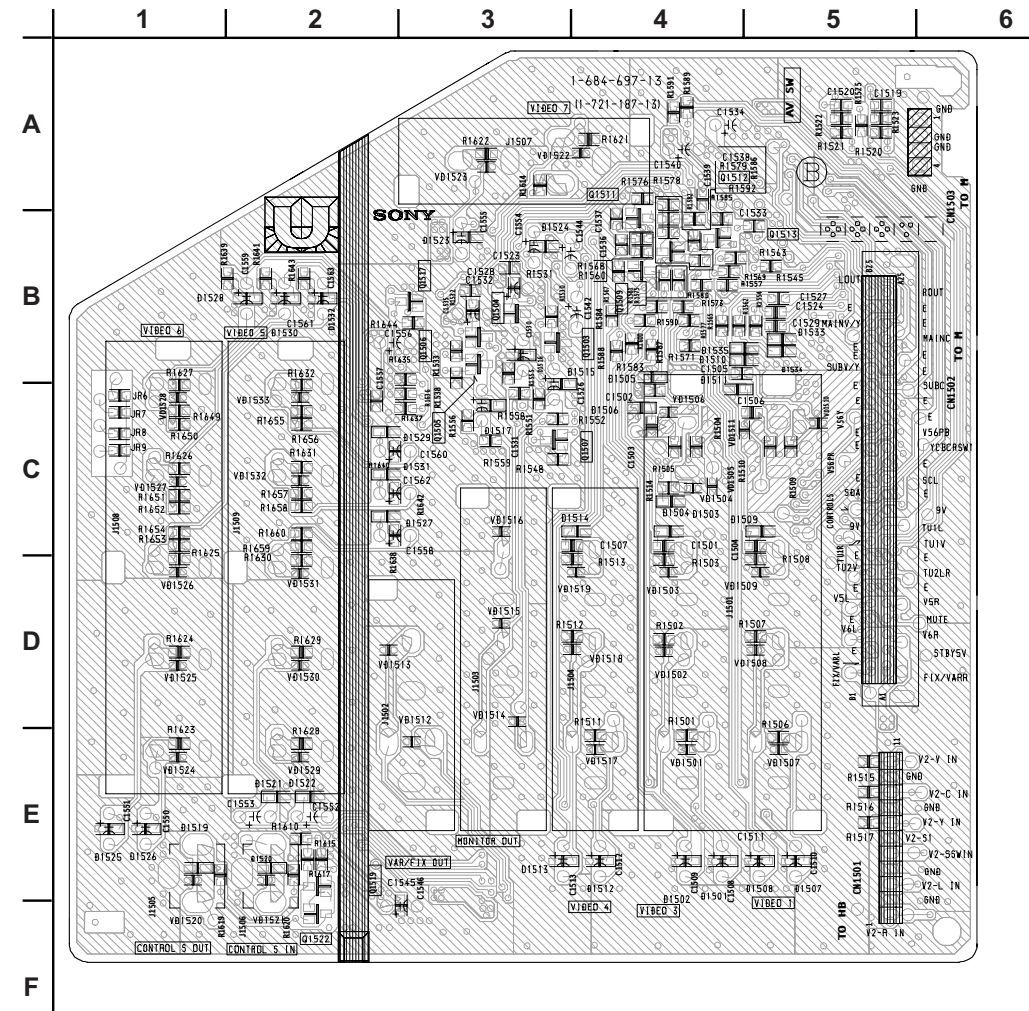
All voltages are in V.



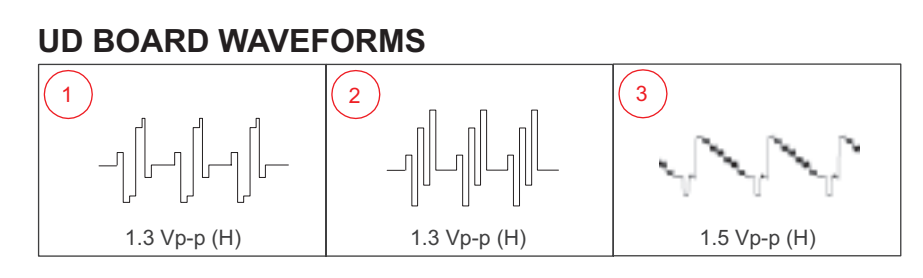
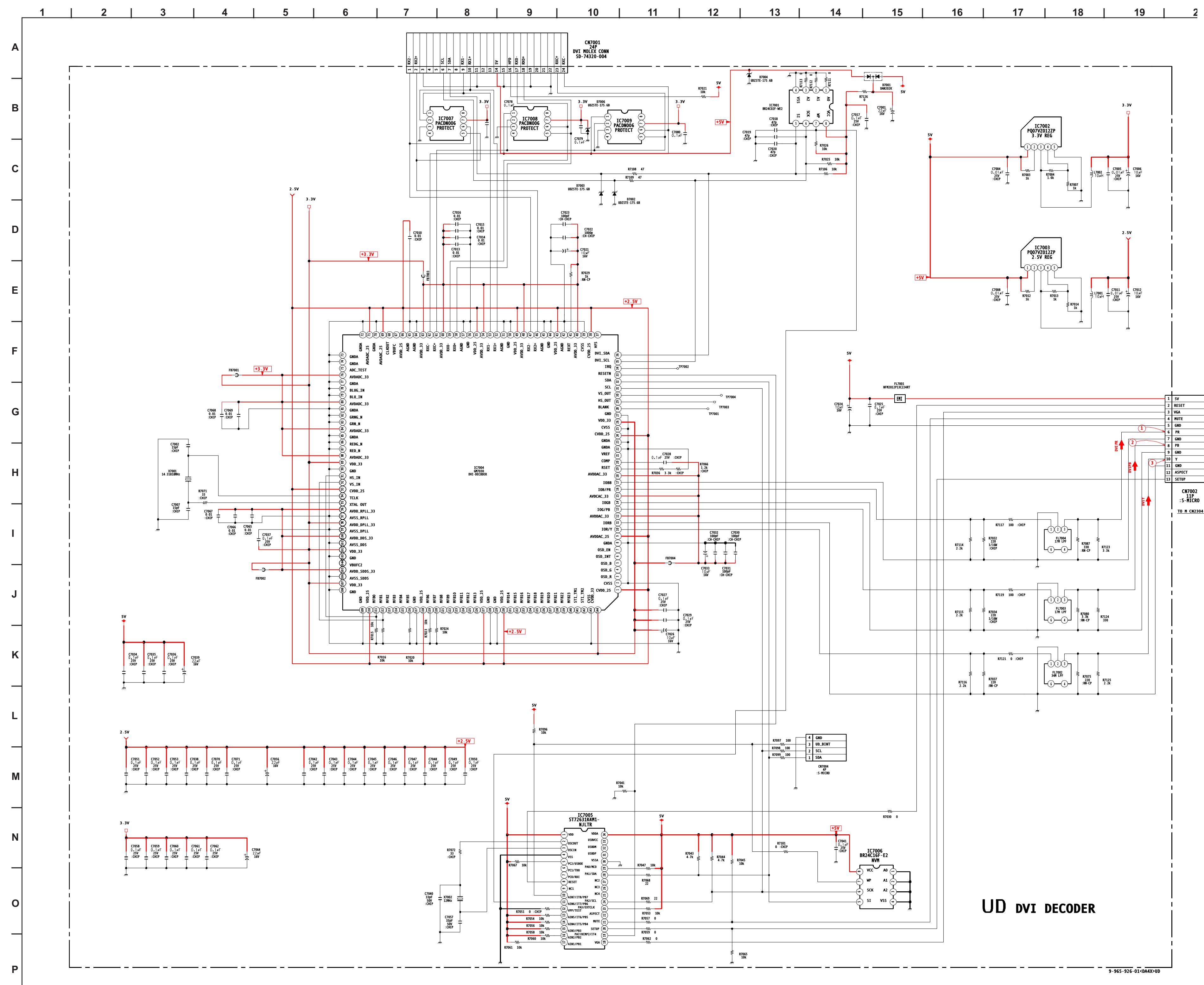
**U** [AV SWITCH, TERMINAL BLOCK] [COMPONENT SIDE]



[CONDUCTOR SIDE]



**UD BOARD SCHEMATIC DIAGRAM** The UD board is not field repairable. If service is required, use the following part number to order a complete replacement board.  
A-1300-324-A UD Board, Complete

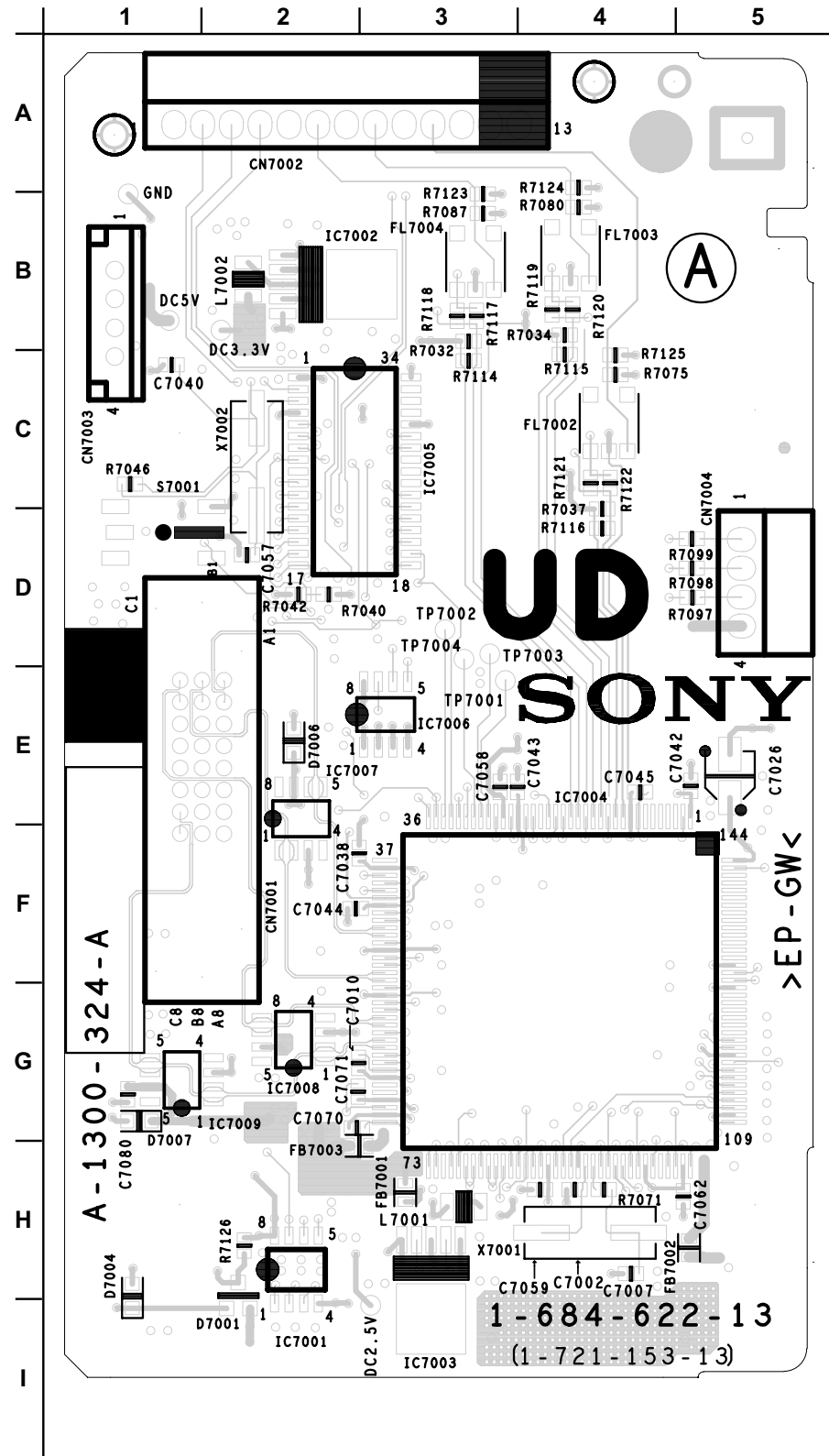


**UD DVI DECODER**

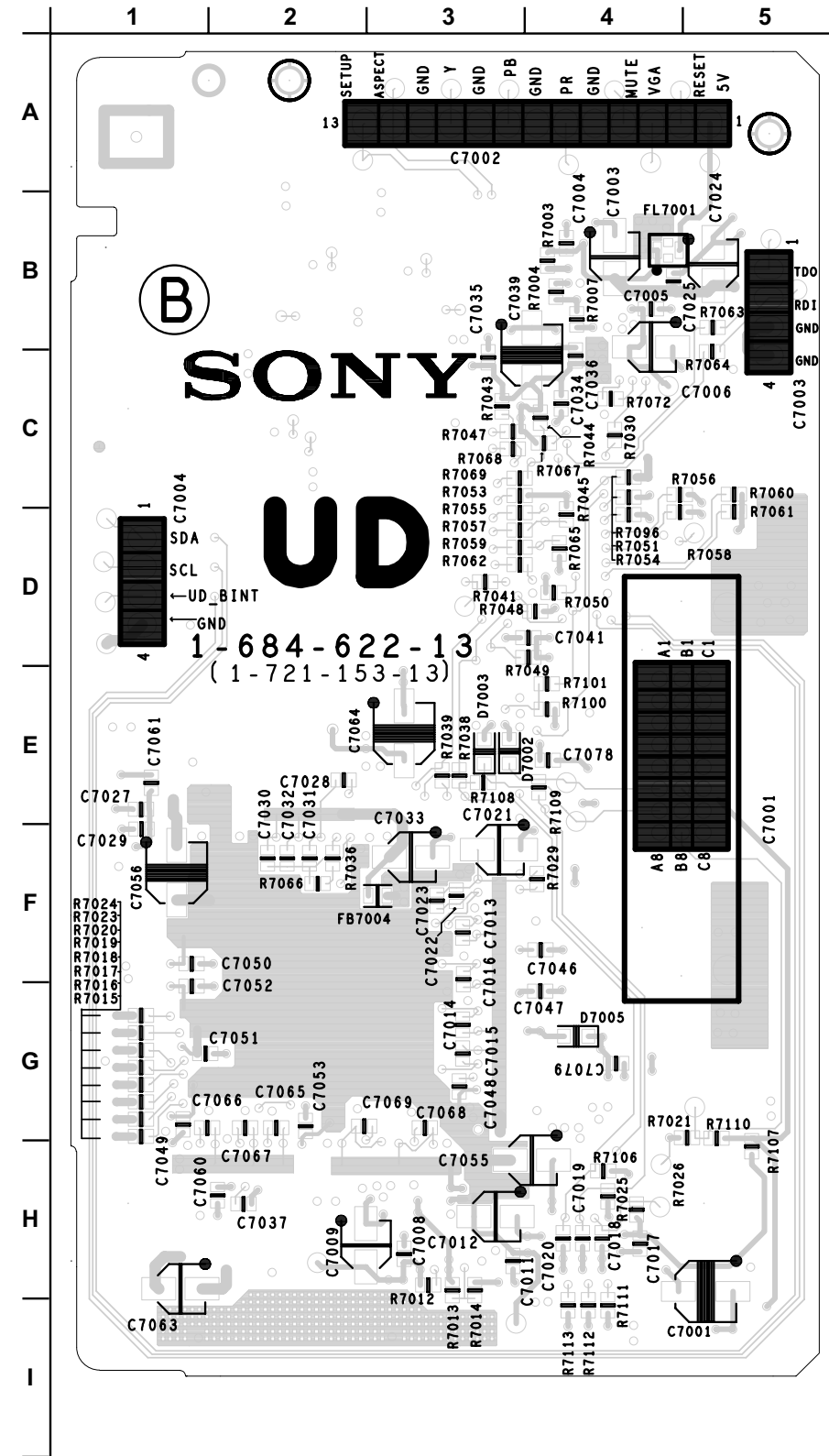
**UD**

[DVI DECODER]

[COMPONENT SIDE]

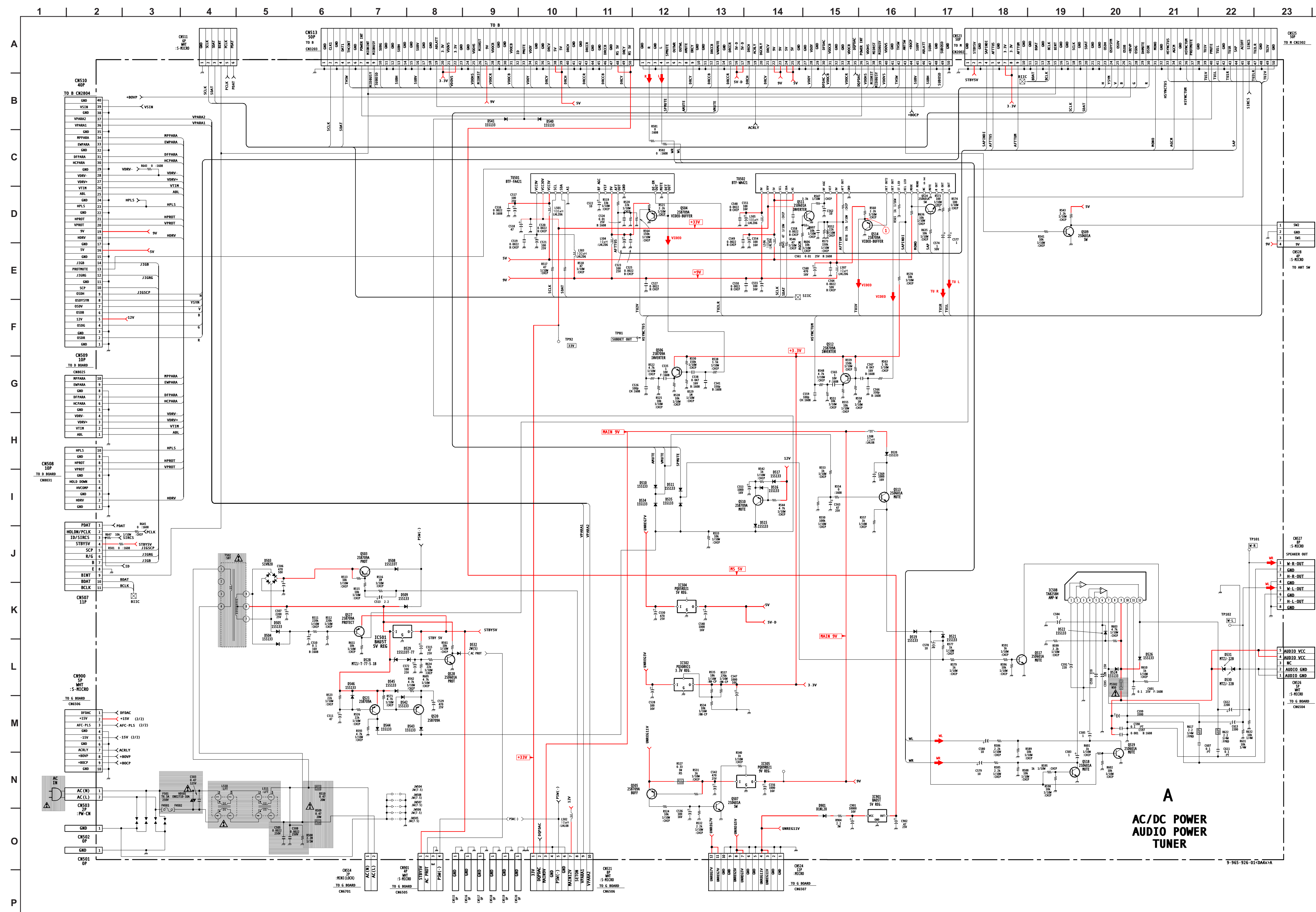


[CONDUCTOR SIDE]

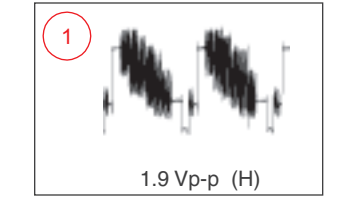




A BOARD SCHEMATIC DIAGRAM



A BOARD WAVEFORMS



A BOARD IC VOLTAGE LIST

IC501		IC508		
PIN	VOLT	PIN	VOLT	
I	9.7	1	1.6	
O	5.0	2	0.1	
GND	GND	3	GND	
IC502		4		0.1
IC503		5		1.6
IC504		6		7.9
IC505		7		11.0
IC506		8		5.1
IC507		9		24.0
IC508		10		0.0
IC509		11		4.4
IC510		12		10.6
IC511		O		5.0
IC512		PIN		VOLT
IC513		I		11.0
IC514		O		9.0
IC515		GND		GND
IC516		GND		GND
IC517		I		11.0
IC518		O		9.0
IC519		GND		GND
IC520		GND		GND
IC521		I		11.0
IC522		O		9.0
IC523		GND		GND
IC524		GND		GND
IC525		I		11.0
IC526		O		9.0
IC527		GND		GND
IC528		GND		GND

All voltages are in V.

A BOARD TRANSISTOR VOLTAGE LIST

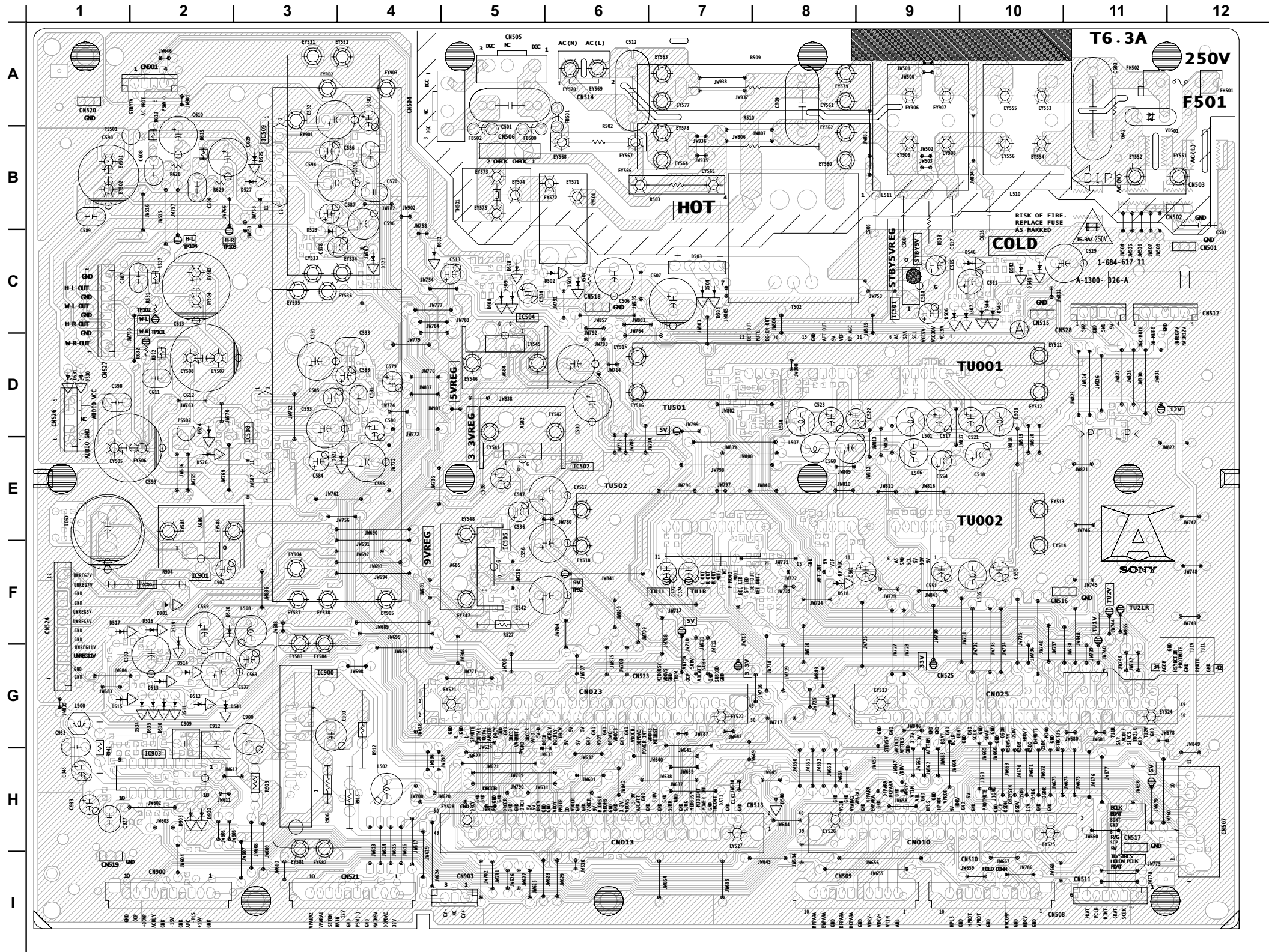
	B	C	E
Q503	21.2	0.2	21.3
Q504	3.9	GND	4.5
Q505	10.0	0.1	11.0
Q506	3.5	0.5	3.3
Q507	0.1	2.3	GND
Q509	0.7	0.1	GND
Q510	12.0	0.0	12.0
Q511	0.1	7.5	GND
Q512	3.3	0.5	3.3
Q513	0.0	9.0	0.0
Q514	5.9	GND	6.5
Q517	0.0	4.4	GND
Q518	0.0	0.0	GND
Q519	0.0	0.0	GND
Q520	9.7	0.0	9.7
Q521	9.7	0.0	9.7
Q524	0.7	0.1	GND
Q527	9.8	0.0	5.0
Q528	0.7	0.0	GND

All voltages are in V.

A  
AC/DC POWER  
AUDIO POWER  
TUNER

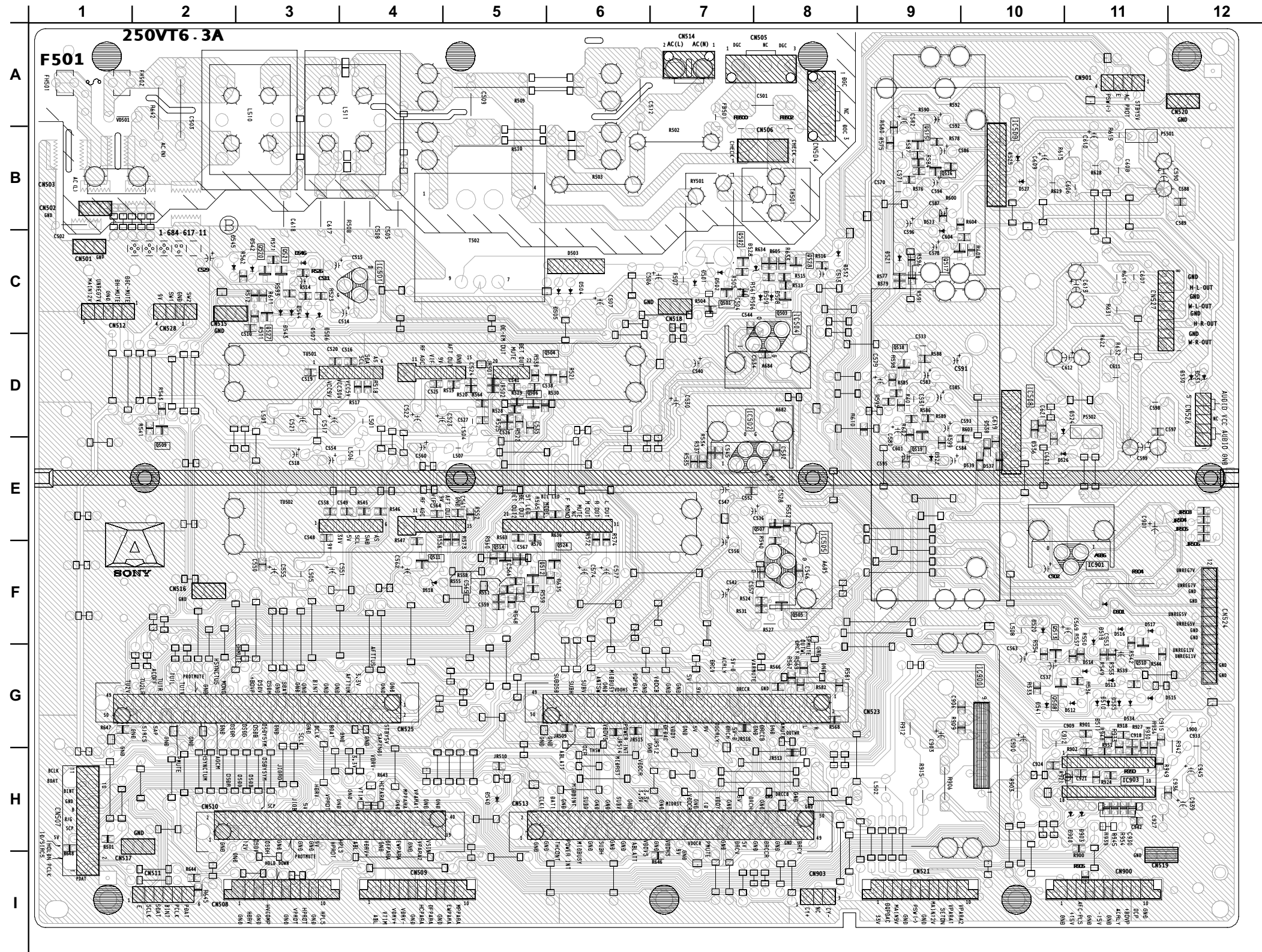


**A** [AC/DC POWER, AUDIO POWER, TUNER] [COMPONENT SIDE]





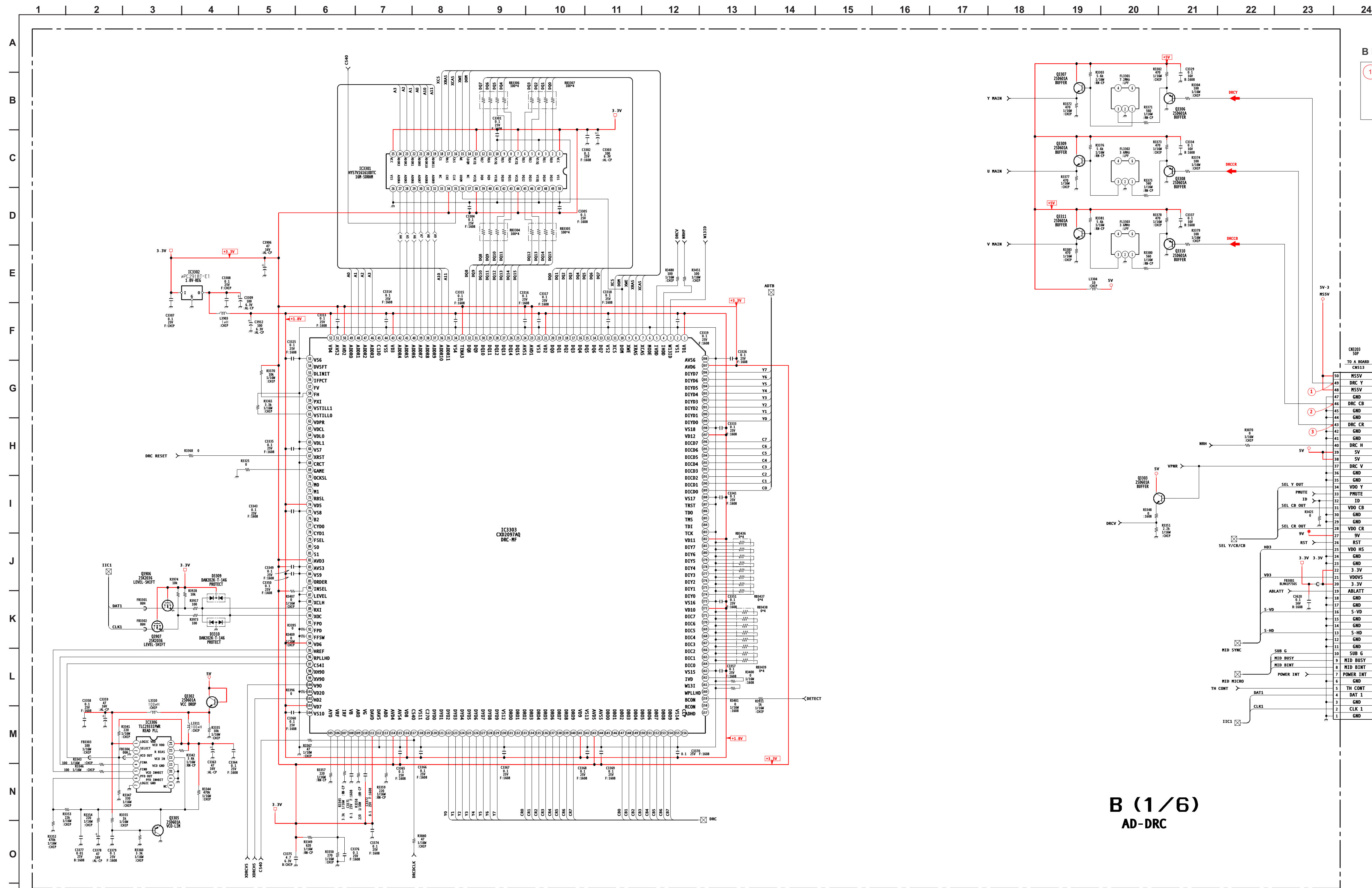
**A** [AC/DC POWER, AUDIO POWER, TUNER] [CONDUCTOR SIDE]



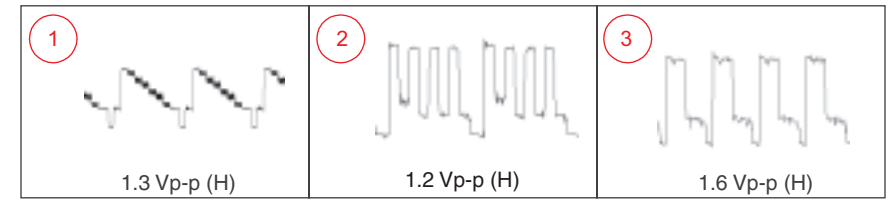
A BOARD LOCATOR LIST			
	IC	DIODE	
	IC501	C-4	D503
	IC502	D-8	D504
	IC504	C-8	D505
	IC505	E-8	D508
	IC508	D-10	D509
	IC901	F-11	D510
	TRANSISTOR		D511
	Q503	C-8	D515
	Q504	D-6	D516
	Q505	F-8	D517
	Q506	D-5	D519
	Q507	E-8	D520
	Q509	E-2	D521
	Q510	G-11	D522
	Q511	F-4	D524
	Q512	F-6	D526
	Q513	F-10	D528
	Q514	F-5	D529
	Q517	C-9	D530
	Q518	D-9	D531
	Q519	E-9	D534
	Q520	C-3	D535
	Q521	C-3	D540
	Q524	F-6	D541
	Q527	C-3	D542
	Q528	C-8	D543
			D544
			D545
			D546
			D901



B BOARD SCHEMATIC DIAGRAM (1 OF 6) The B board is not field repairable. If service is required, use the following part number to order a complete replacement board. A-1300-407-A B Board, Complete

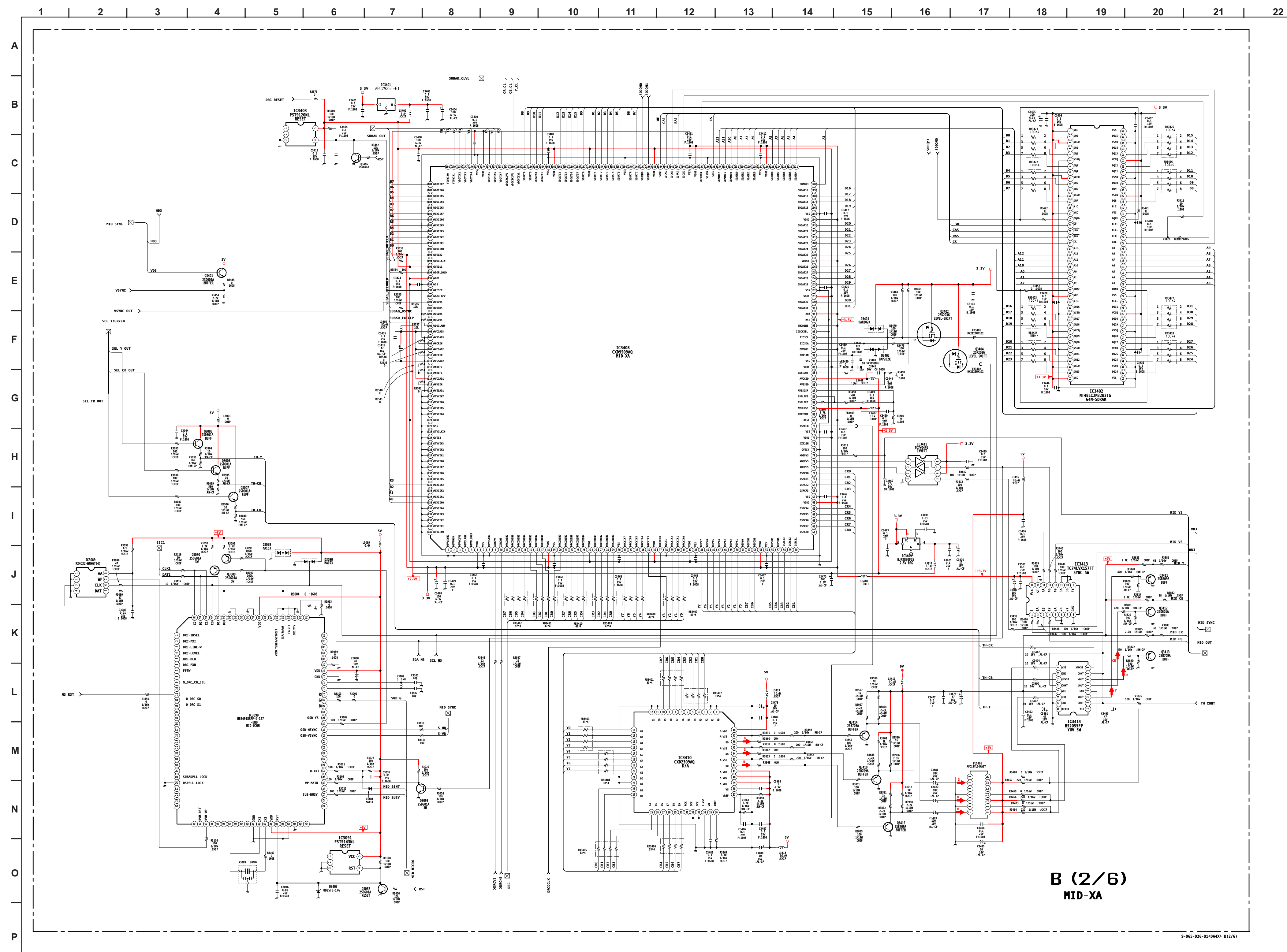


B BOARD WAVEFORMS



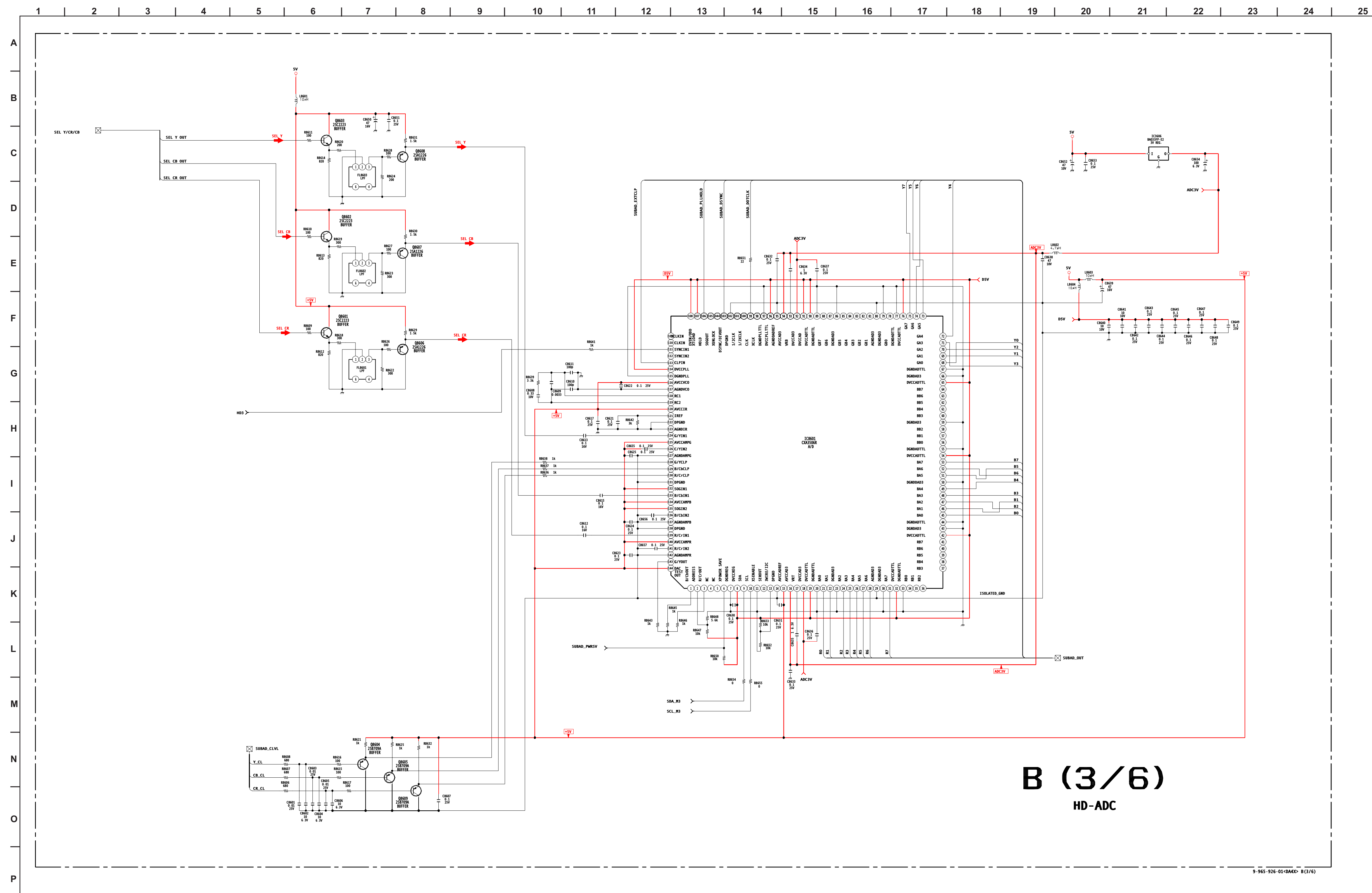
B (1/6)  
AD-DRC

B BOARD SCHEMATIC DIAGRAM (2 OF 6)



B (2/6)  
MID-XA

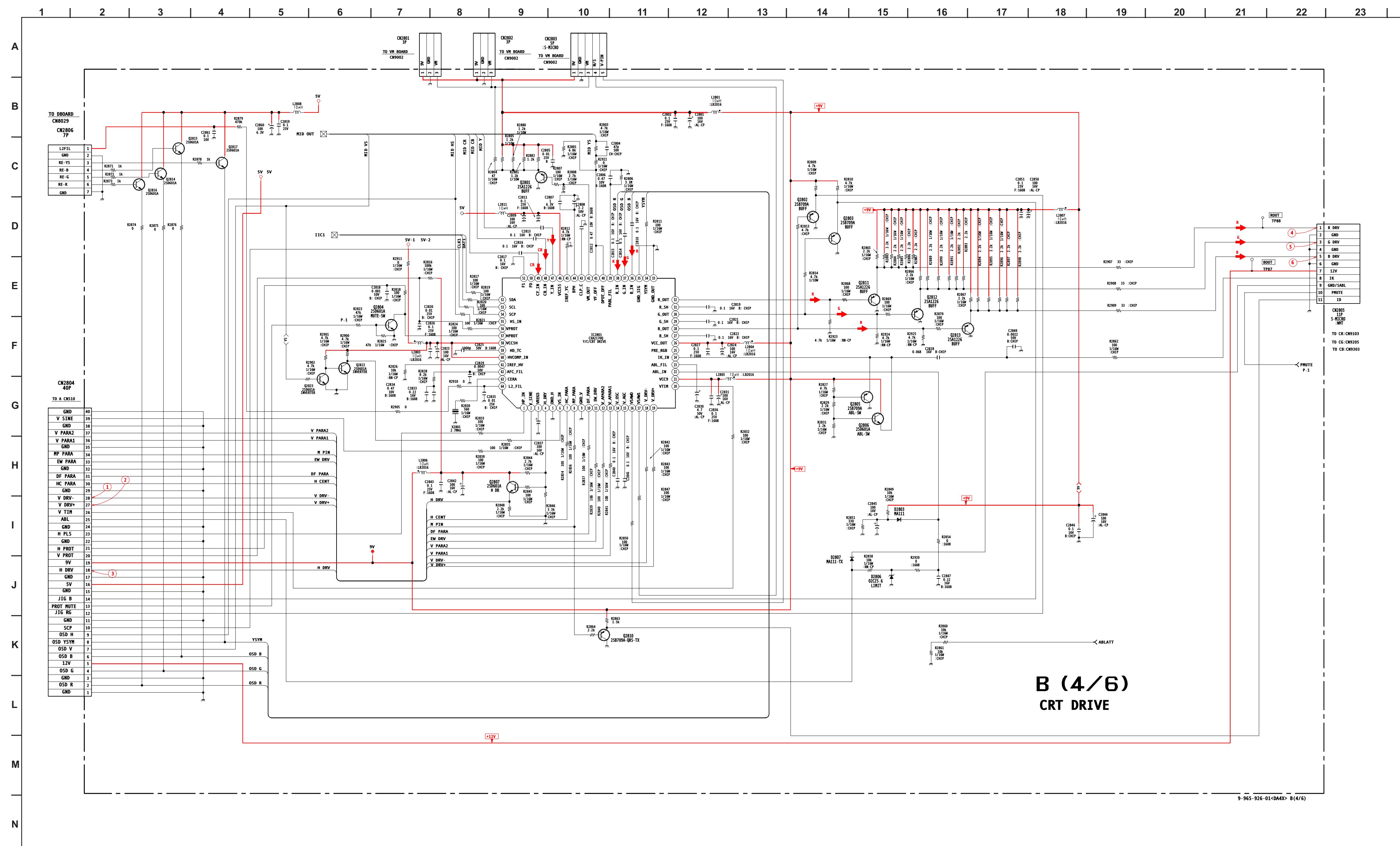
B BOARD SCHEMATIC DIAGRAM (3 OF 6)



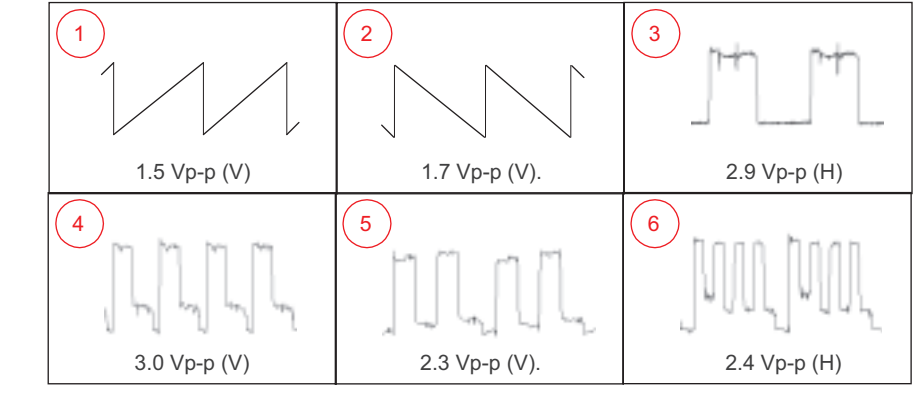
**B (3/6)**  
HD-ADC



B BOARD SCHEMATIC DIAGRAM (4 OF 6)

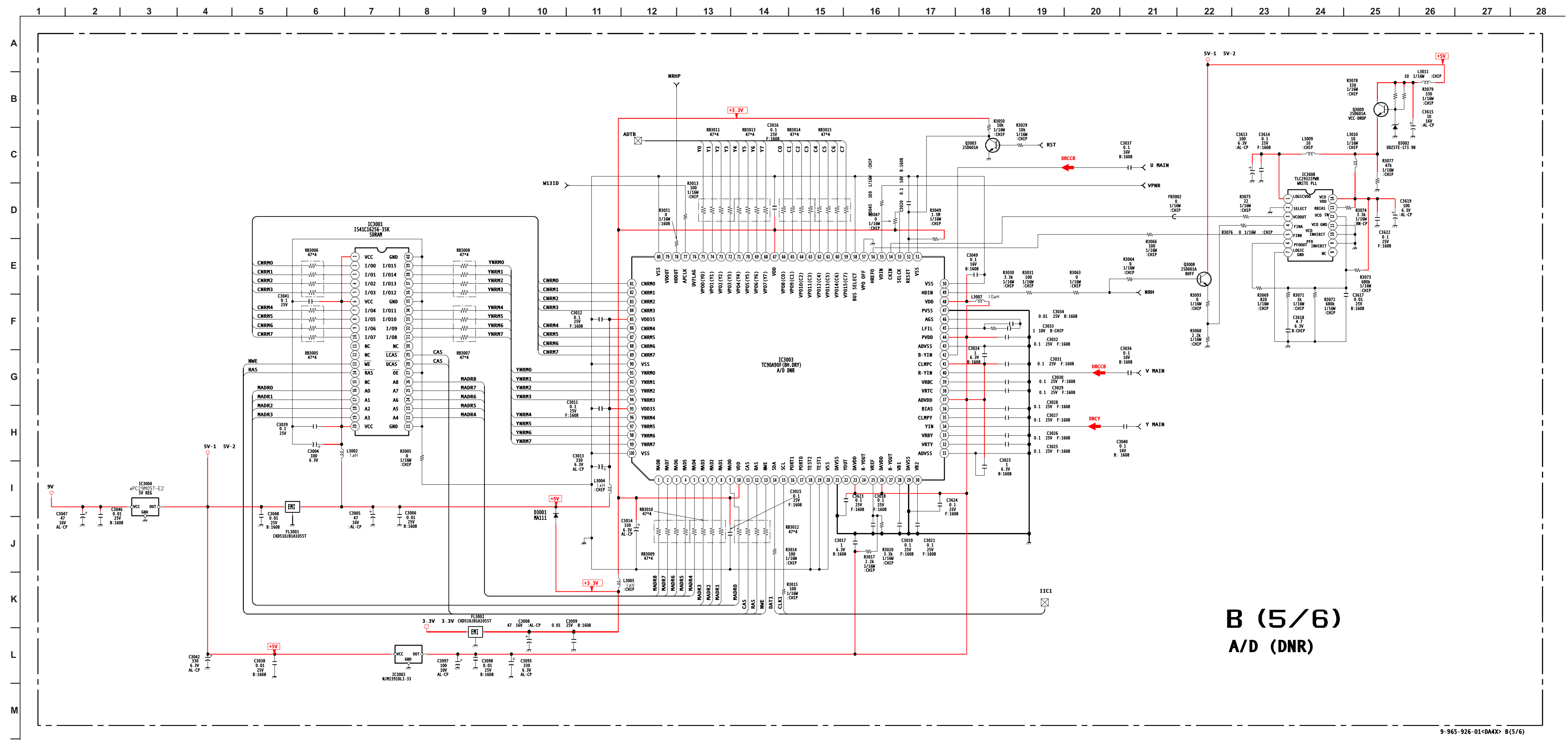


B BOARD WAVEFORMS



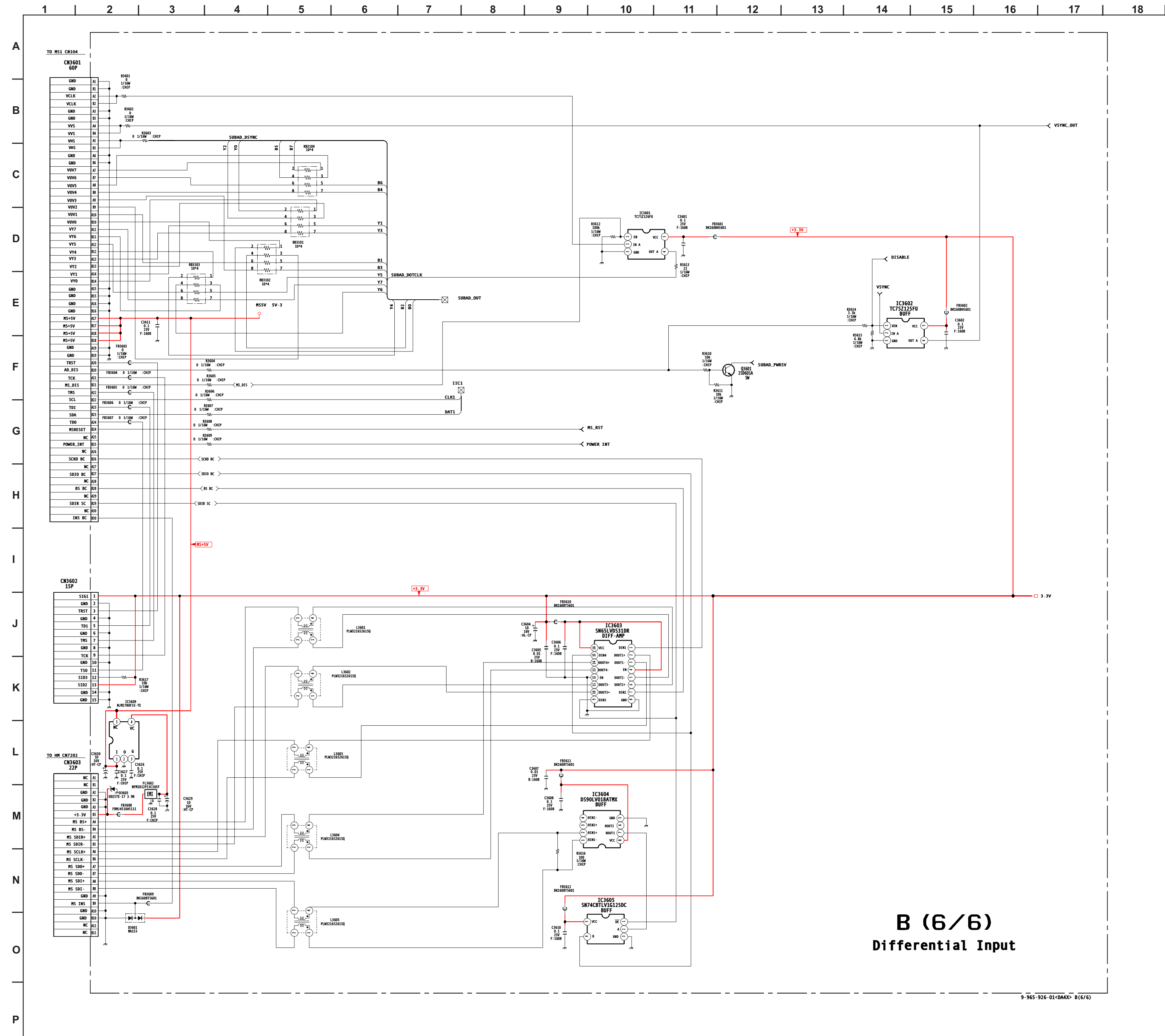
**B (4/6)**  
**CRT DRIVE**

B BOARD SCHEMATIC DIAGRAM (5 OF 6)



B (5/6)  
A/D (DNR)

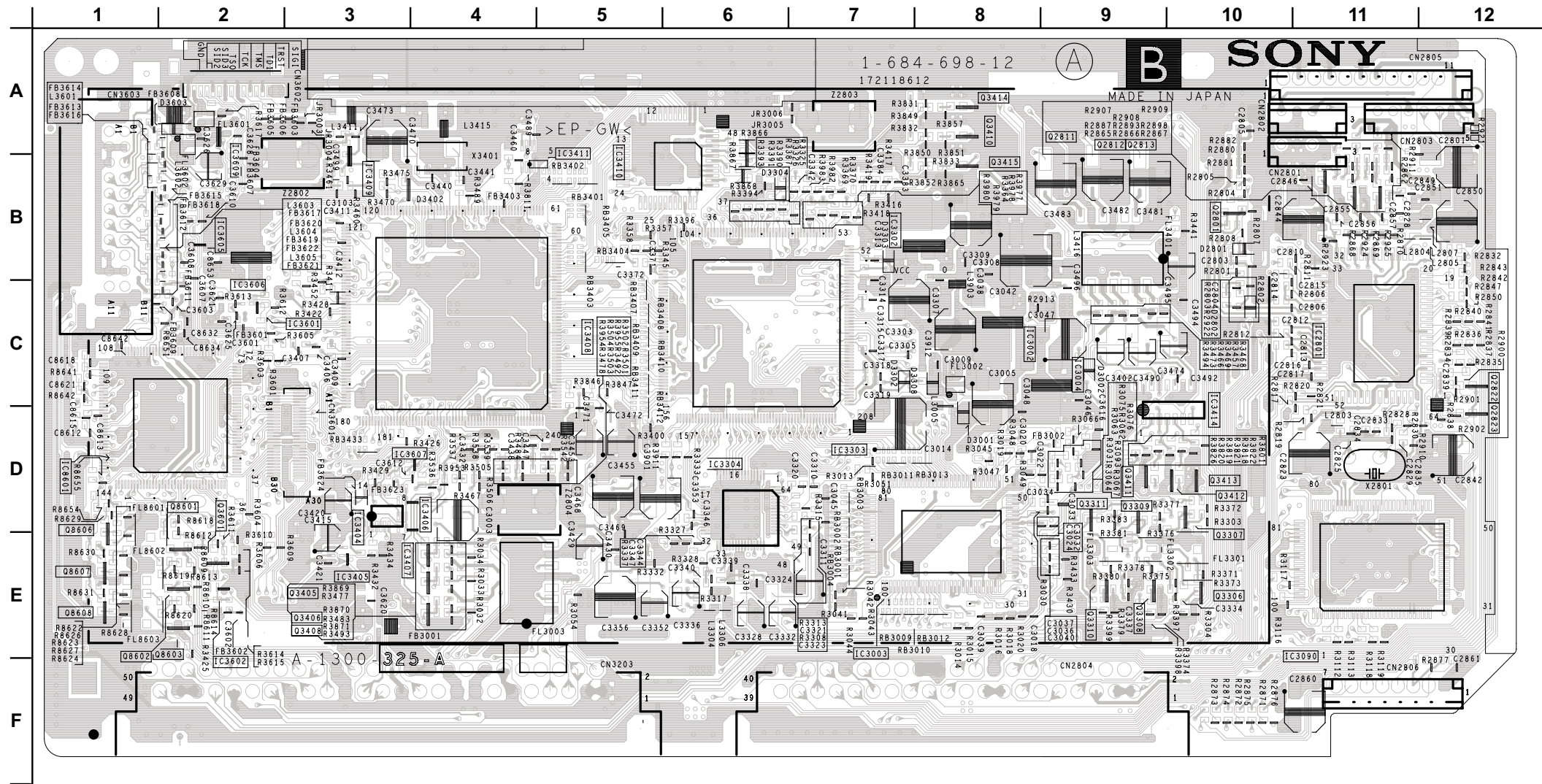
B BOARD SCHEMATIC DIAGRAM (6 OF 6)



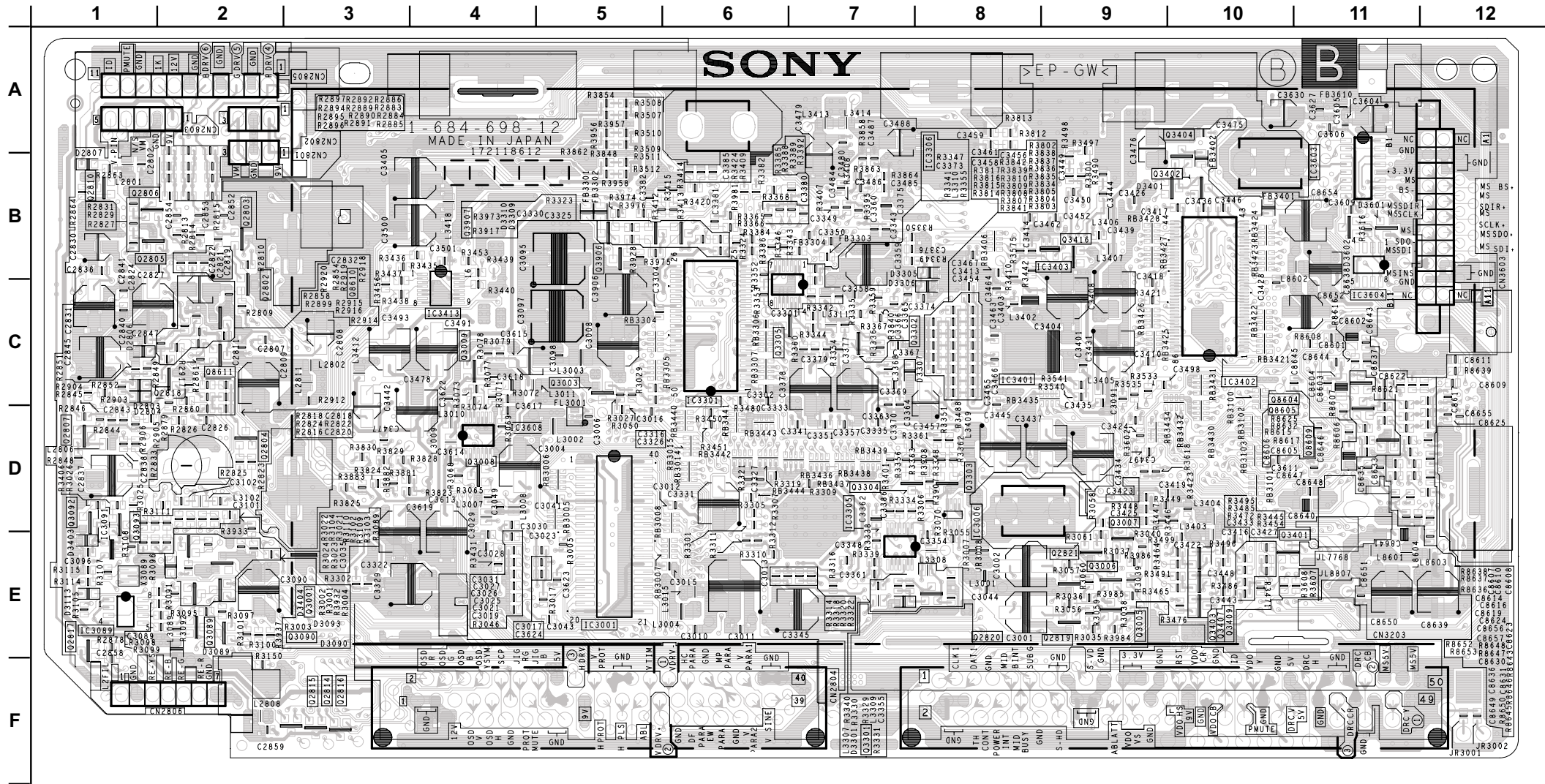
B (6/6)  
Differential Input



**B** [AD-DRC,MID-XA, HD-ADC, CRT DRIVE, A/D (DNR), DIFFERENTIAL INPUT] [COMPONENT SIDE]

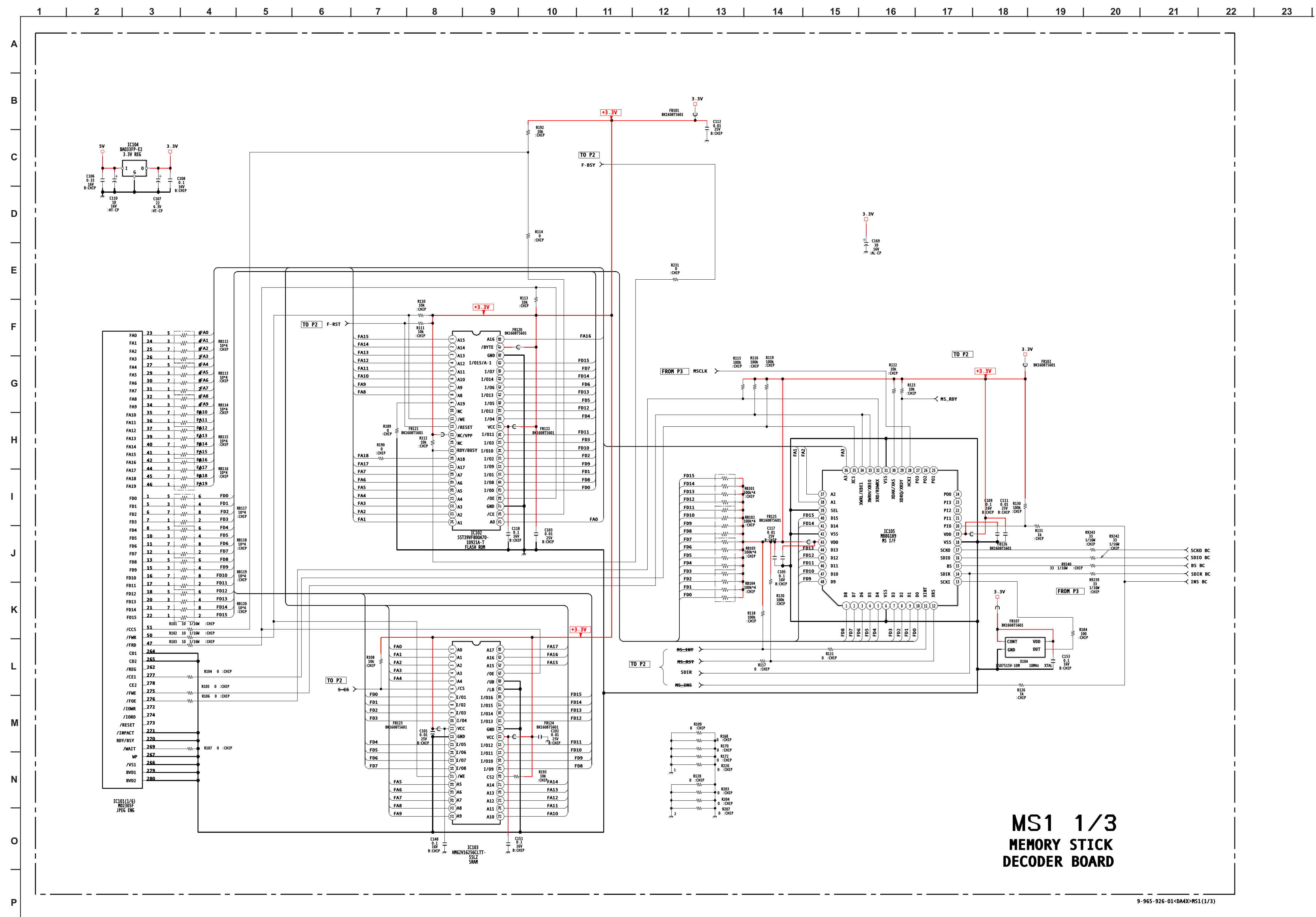


**B** [AD-DRC, MID-XA, HD-ADC, CRT DRIVE, A/D (DNR), DIFFERENTIAL INPUT] [CONDUCTOR SIDE]



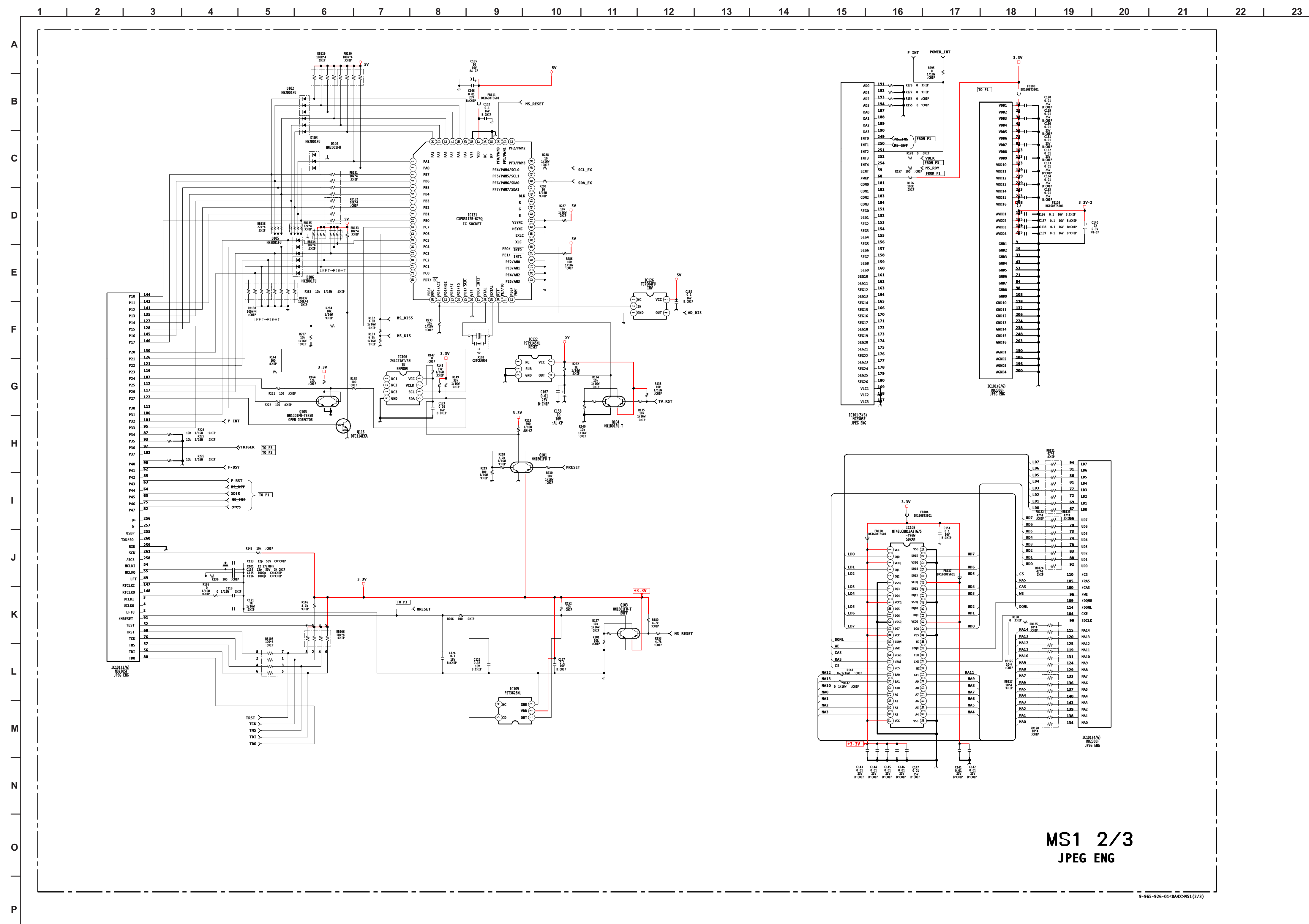


MS1 BOARD SCHEMATIC DIAGRAM (1 OF 3) The MS1 board is not field repairable. If service is required, use the following part number to order a complete replacement board.  
A-1300-408-A MS1 Board, Complete



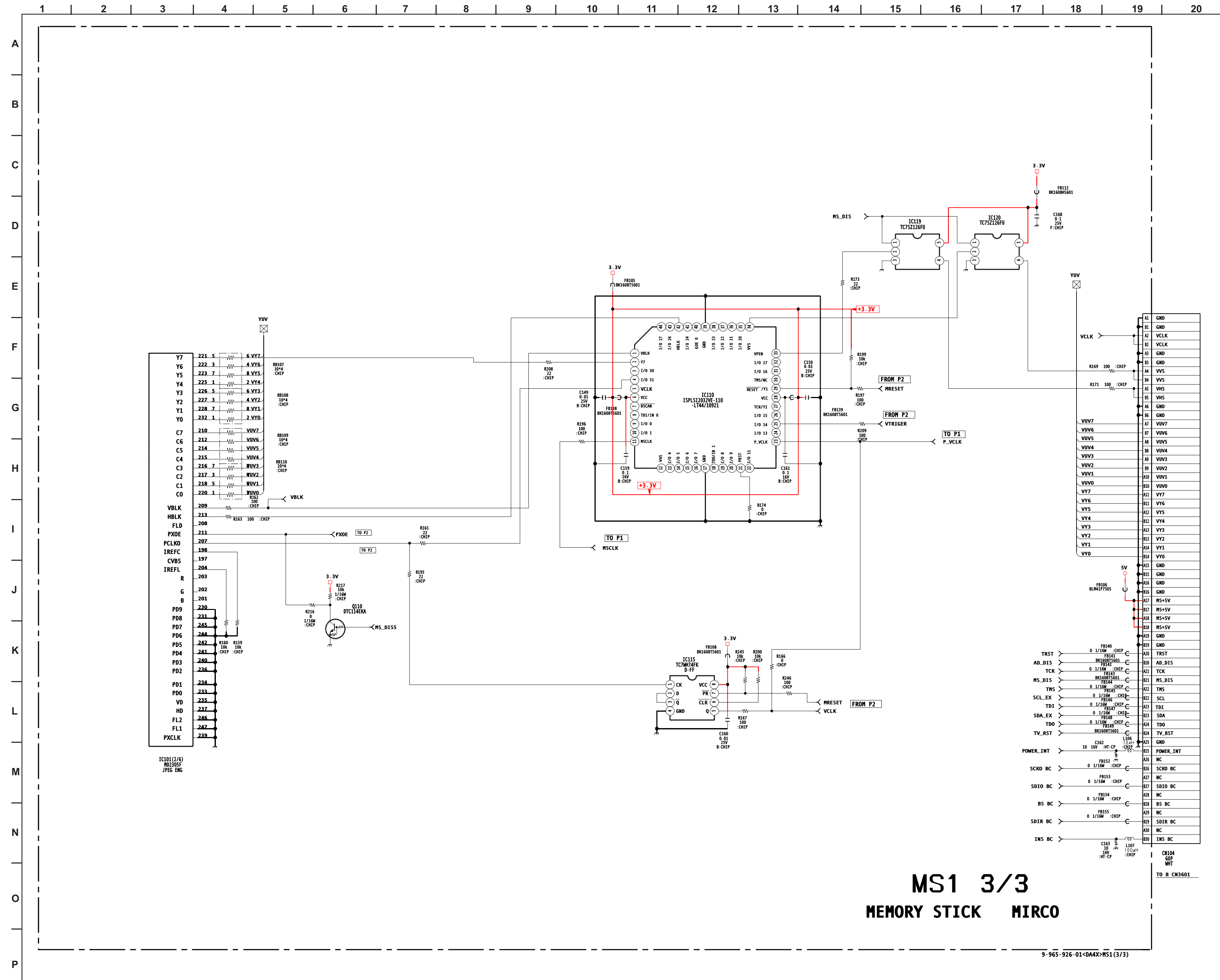
MS1 1/3  
MEMORY STICK  
DECODER BOARD

MS1 BOARD SCHEMATIC DIAGRAM (2 OF 3)



MS1 2/3  
JPEG ENG

MS1 BOARD SCHEMATIC DIAGRAM (3 OF 3)



MS1 3/3  
MEMORY STICK MIRC0

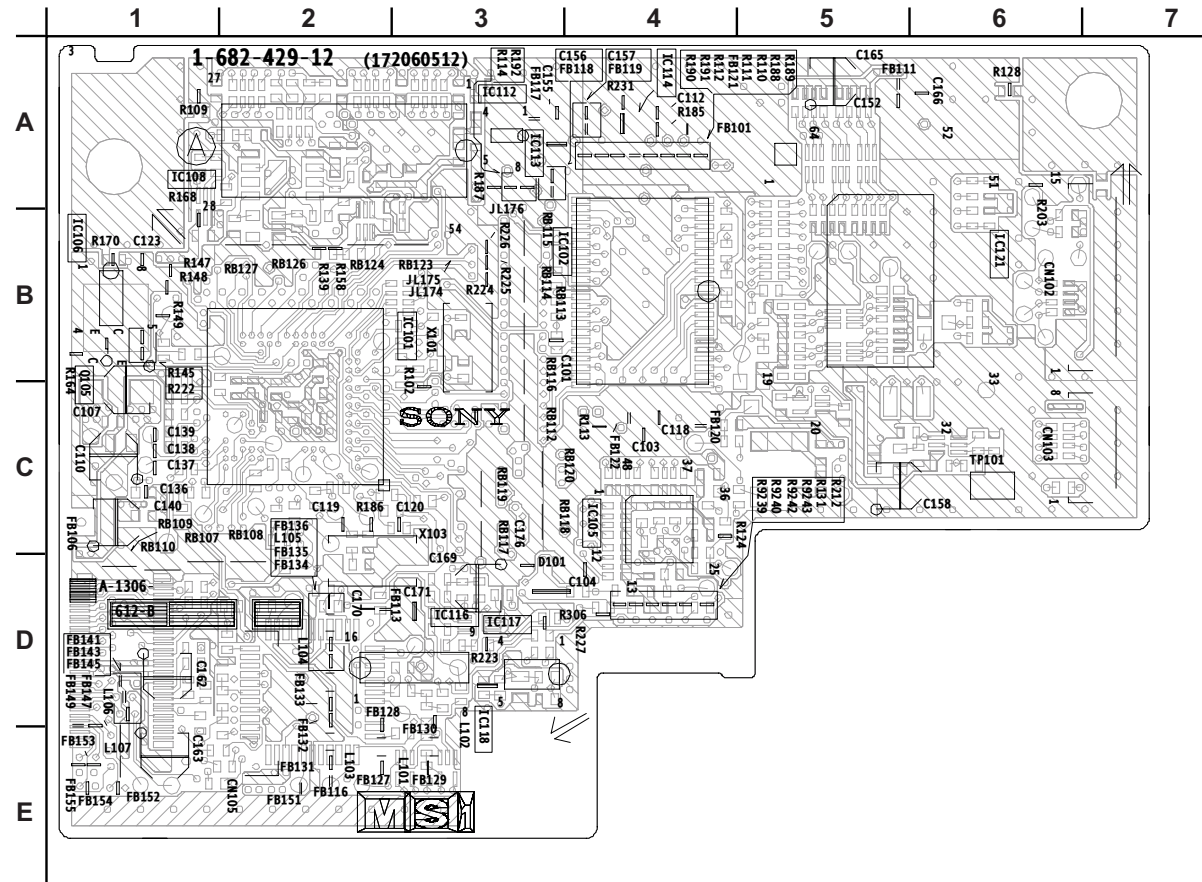
9-965-926-01<DMX>MS1(3/3)



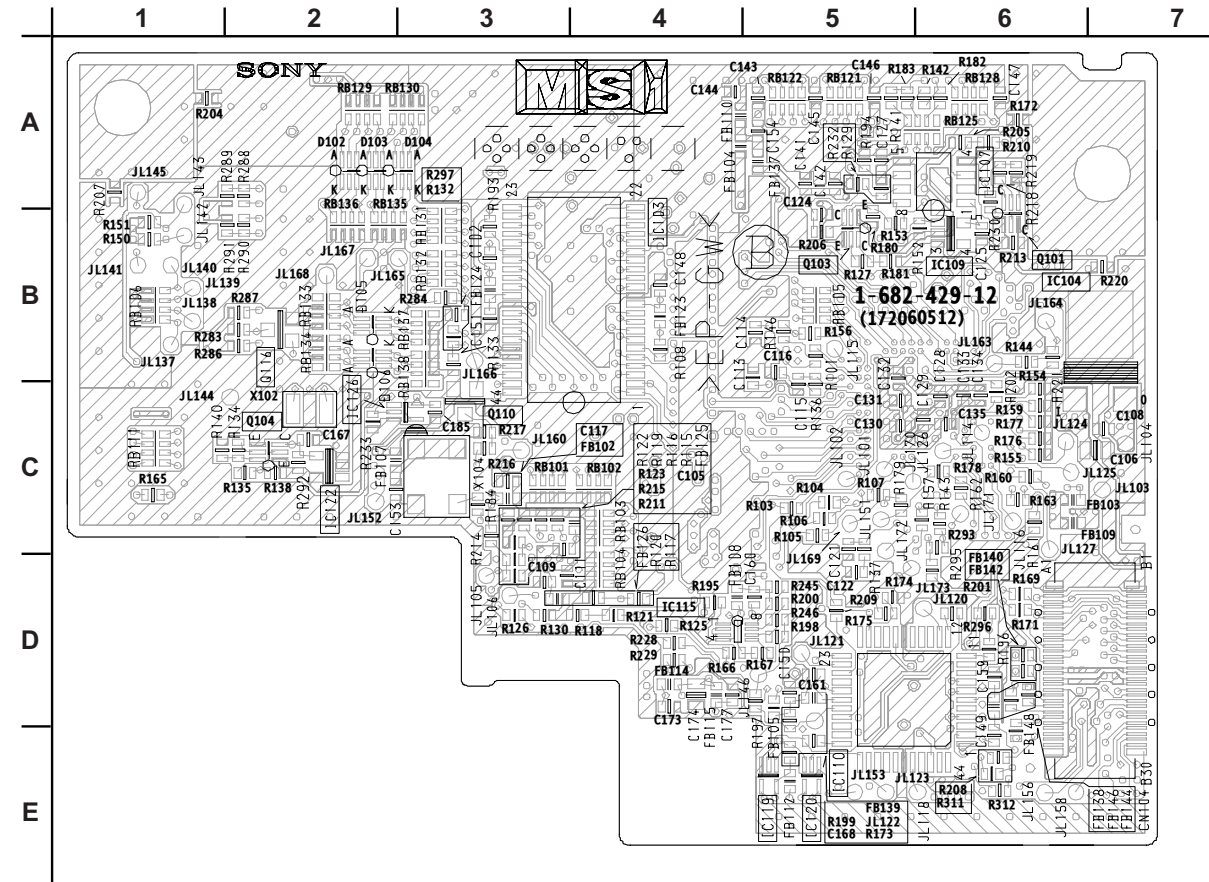
**MS1**

[MEMORY STICK, DECODER BOARD, JPEG ENG, MEMORY STICK MICRO]

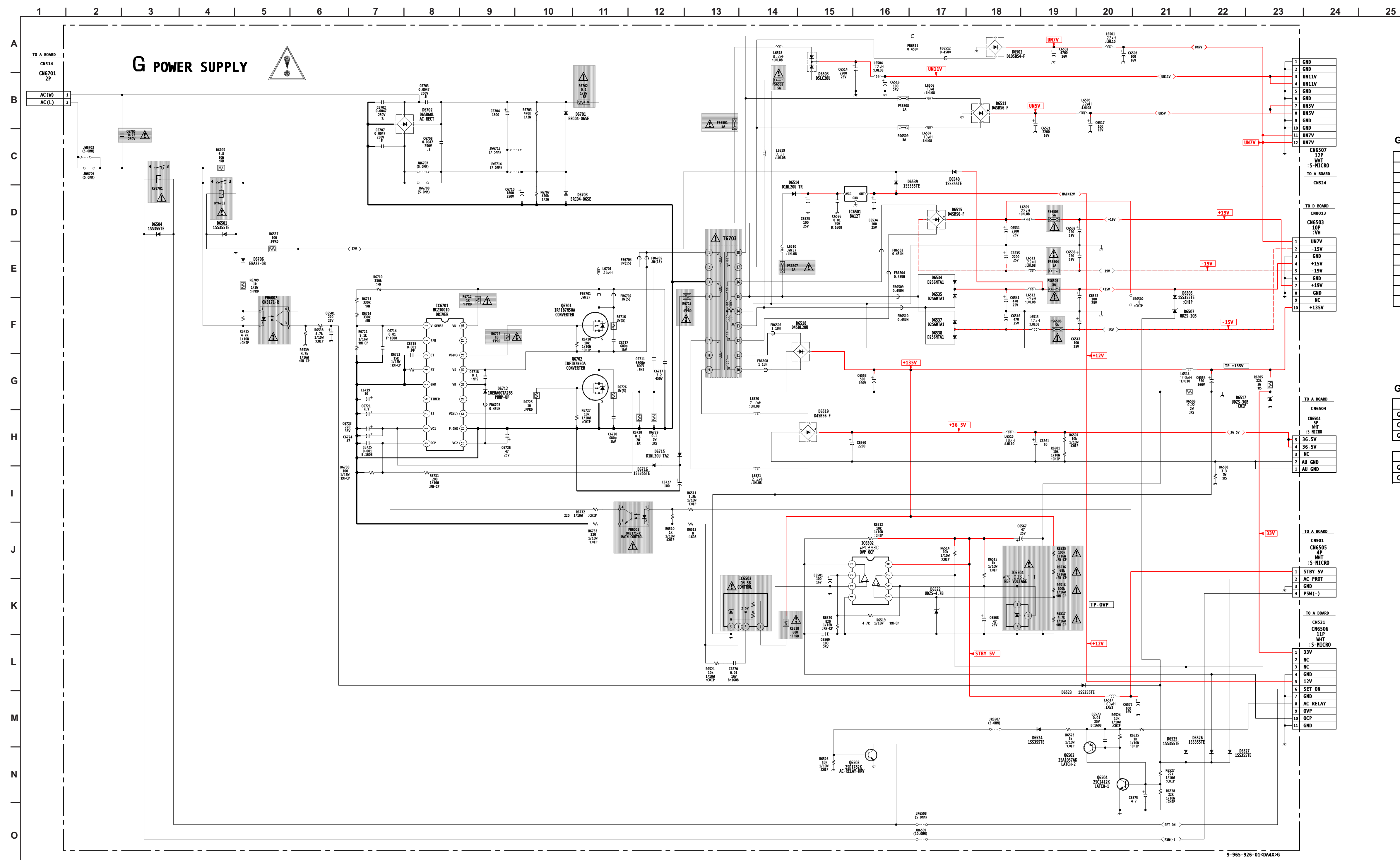
[COMPONENT SIDE]



[CONDUCTOR SIDE]



G BOARD SCHEMATIC DIAGRAM



G BOARD IC VOLTAGE LIST

IC6501	IC6503	3	2.2
PIN	VOLT	PIN	VOLT
VCC	15.0	1	133.7
O	12.0	2	N/C
G	GND	3	2.5
		4	7
		6	0.0
		8	20.1
		9	0.0
		10	10.5
		11	GND
		12	4.9
		13	N/C
		14	155.6
		15	145.6
		16	150.6
		17	N/C
		18	304.5

All voltages are in V.

G BOARD TRANSISTOR VOLTAGE LIST

	B	C	E
Q6502	2.2	0	2.2
Q6503	0.7	0.0	GND
Q6504	0.0	2.2	GND

	D	G	S
Q6701	152.0	3.9	-1.5
Q6702	-1.3	-147.5	-152.2

All voltages are in V.

1  
2  
3  
4  
5  
6  
7  
8  
9  
10  
11  
12  
13  
14  
15  
16  
17  
18  
19  
20  
21  
22  
23  
24  
25

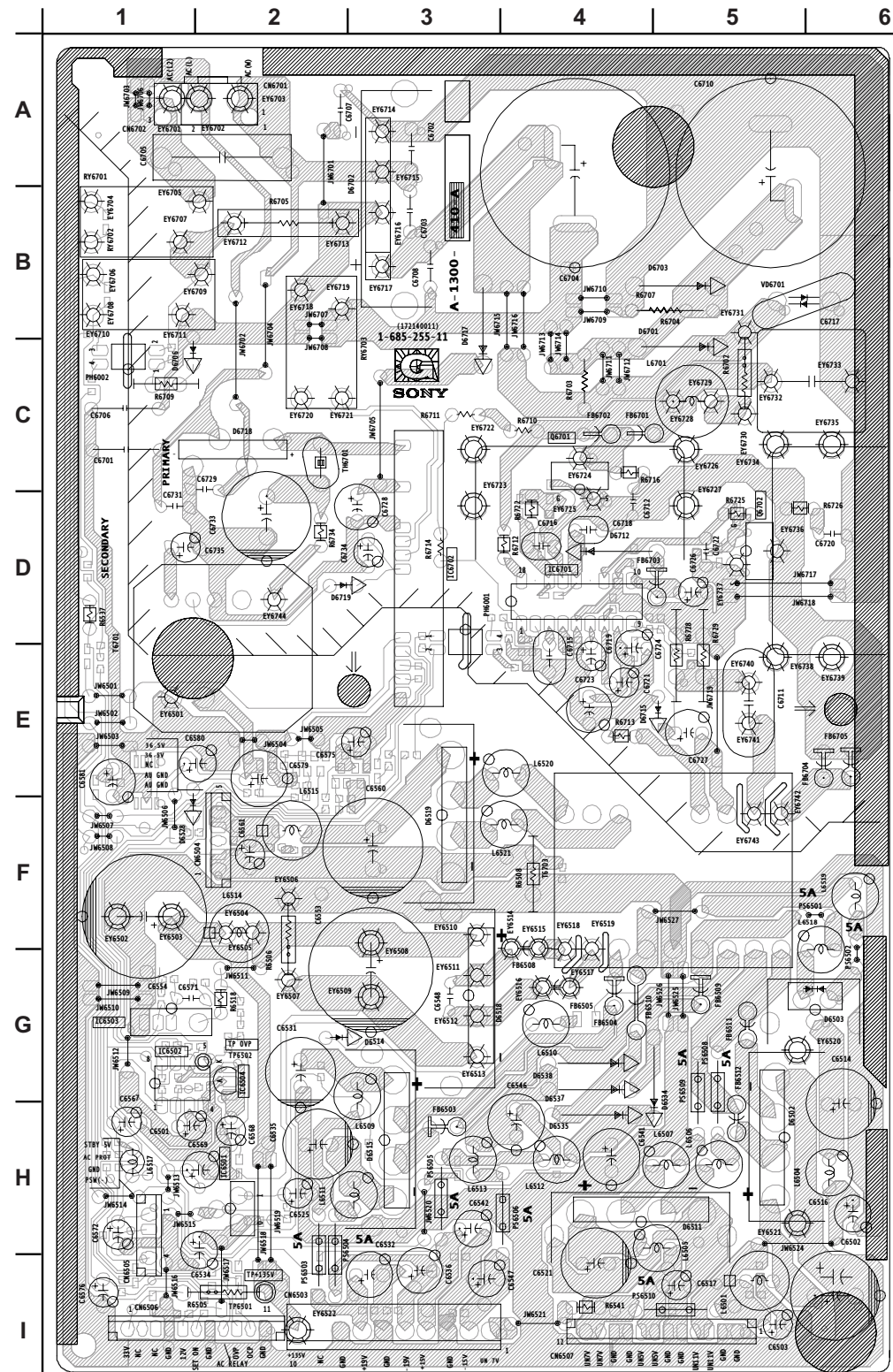
A  
B  
C  
D  
E  
F  
G  
H  
I  
J  
K  
L  
M  
N  
O  
P



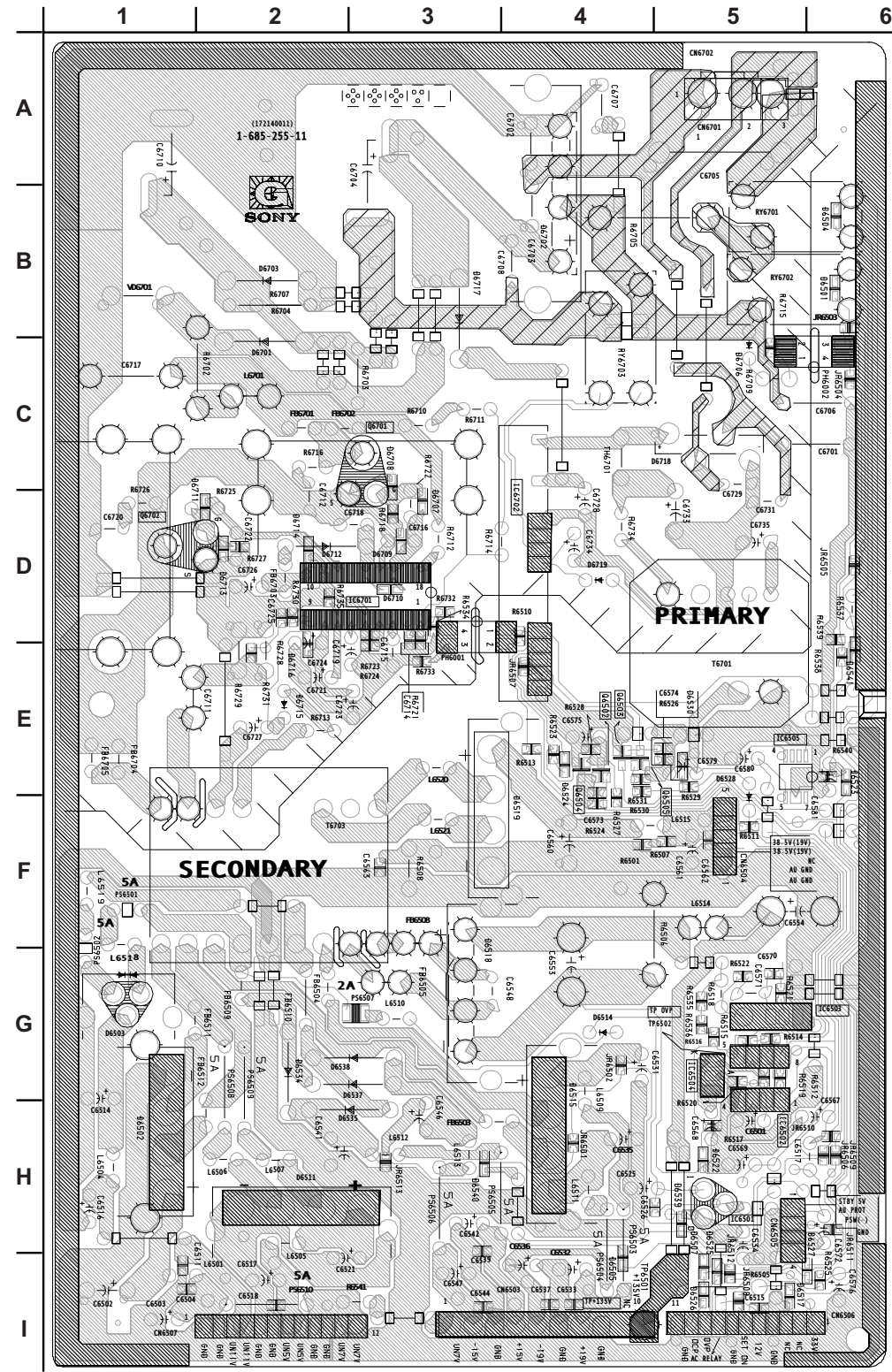


[POWER SUPPLY]

[COMPONENT SIDE]



[CONDUCTOR SIDE]



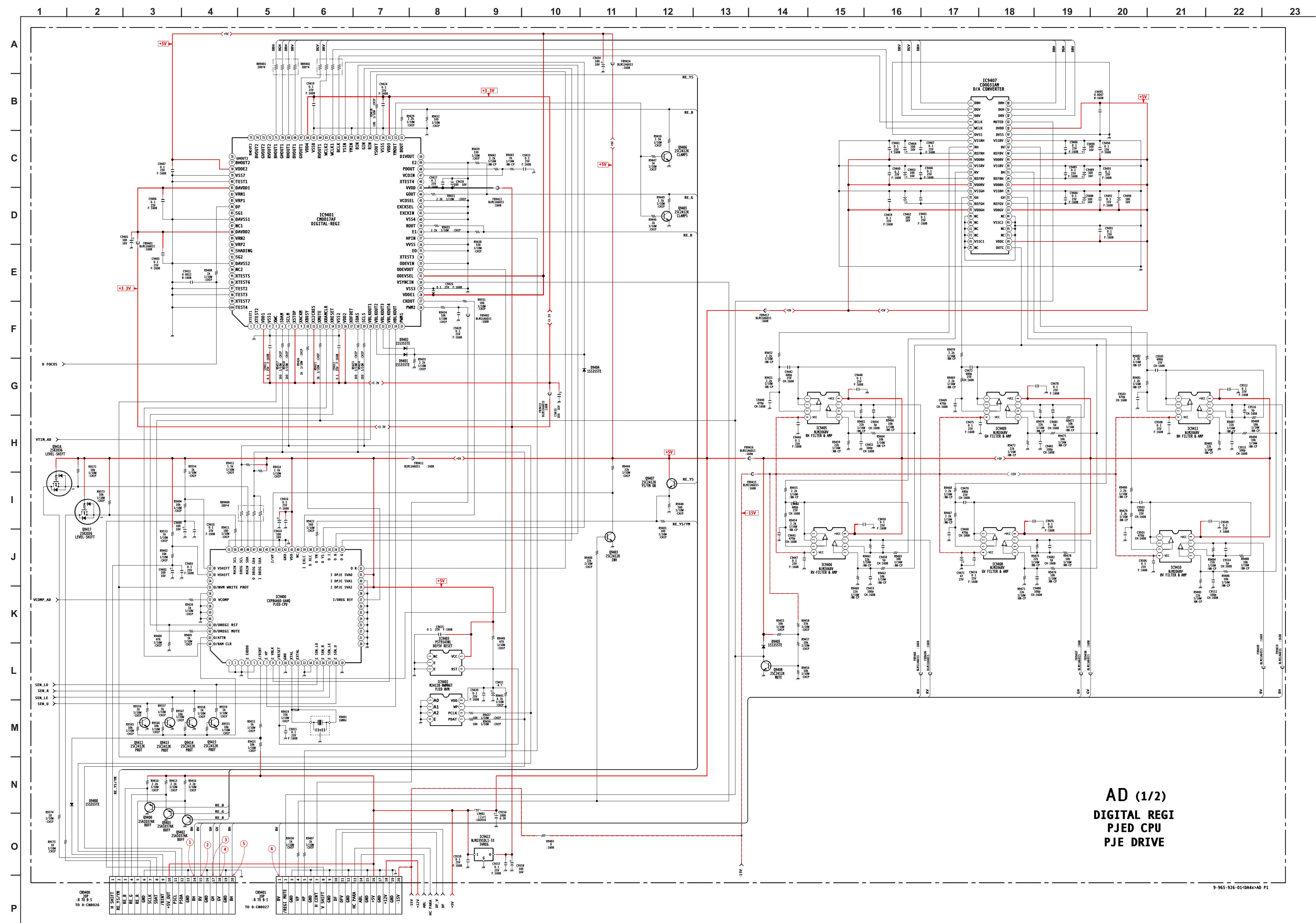
**G BOARD**

**LOCATOR LIST**

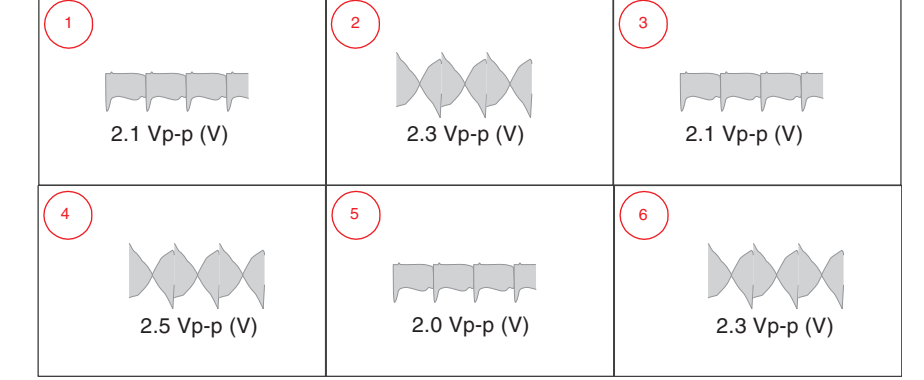
IC	
IC6501	H-5
IC6502	H-5
IC6503	G-6
IC6504	G-5
IC6701	D-3
TRANSISTOR	
Q6502	E-4
Q6503	E-4
Q6504	E-4
Q6701	C-3
Q6702	D-1
DIODE	
D6501	B-6
D6502	H-1
D6503	G-1
D6504	B-6
D6505	I-4
D6507	H-5
D6511	H-2
D6514	G-4
D6515	G-4
D6517	I-5
D6518	F-3
D6519	E-3
D6522	H-5
D6523	F-6
D6524	E-4
D6525	H-5
D6526	I-5
D6527	H-6
D6534	G-2
D6535	G-2
D6537	G-2
D6538	G-2
D6539	H-4
D6540	H-3
D6701	C-2
D6702	B-4
D6703	B-2
D6706	B-5
D6712	D-2
D6715	E-2
D6716	E-2



**AD BOARD SCHEMATIC DIAGRAM (1 OF 2)** The AD board is not field repairable. If service is required, use the following part number to order a complete replacement board.  
A-1300-411-A AD Board, Complete

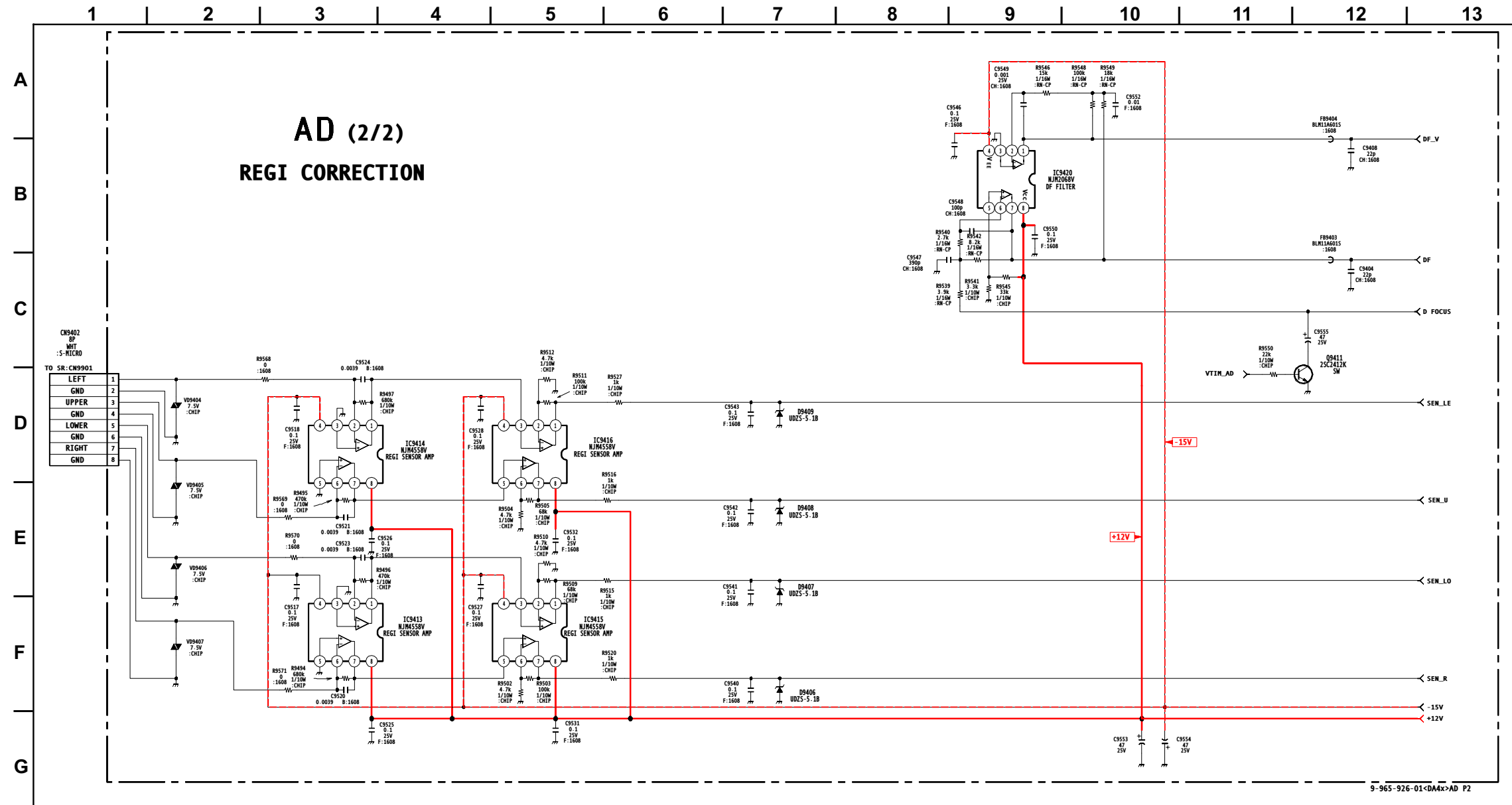


**AD BOARD WAVEFORMS**



**AD (1/2)  
DIGITAL REGI  
PJED CPU  
PJE DRIVE**

AD BOARD SCHEMATIC DIAGRAM (2 OF 2)

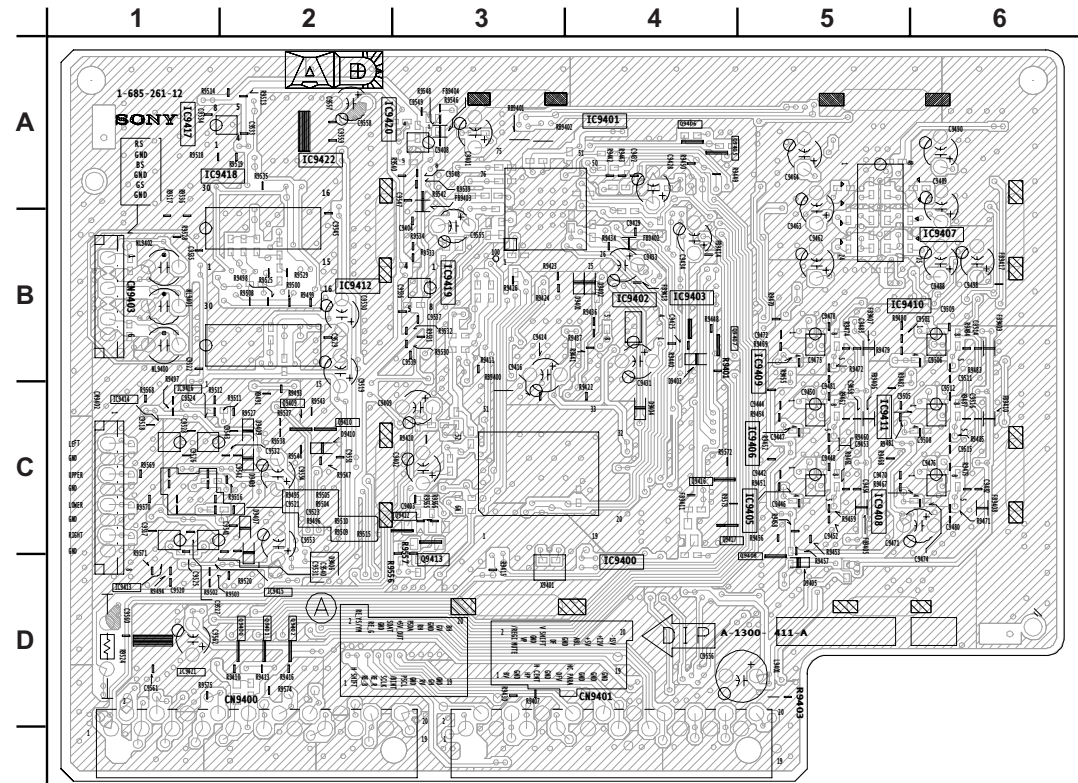




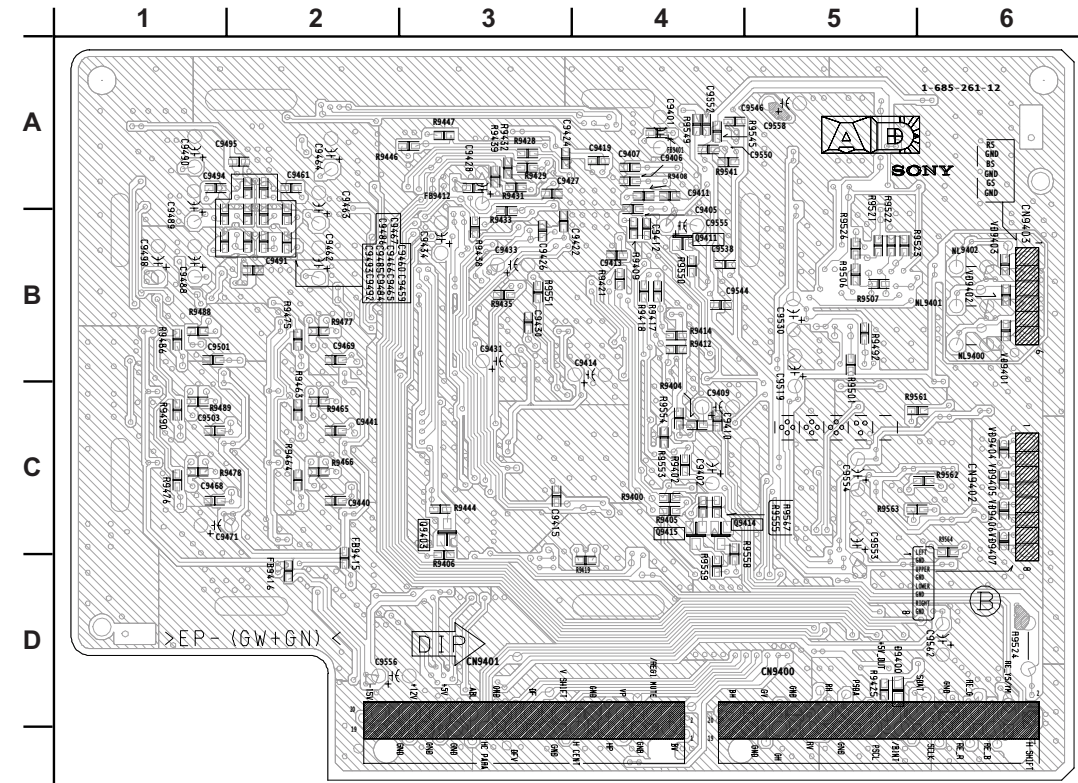
**AD**

[DIGITAL REGI, PJED CPU, PJE DRIVE, REGI CORRECTION]

[COMPONENT SIDE]

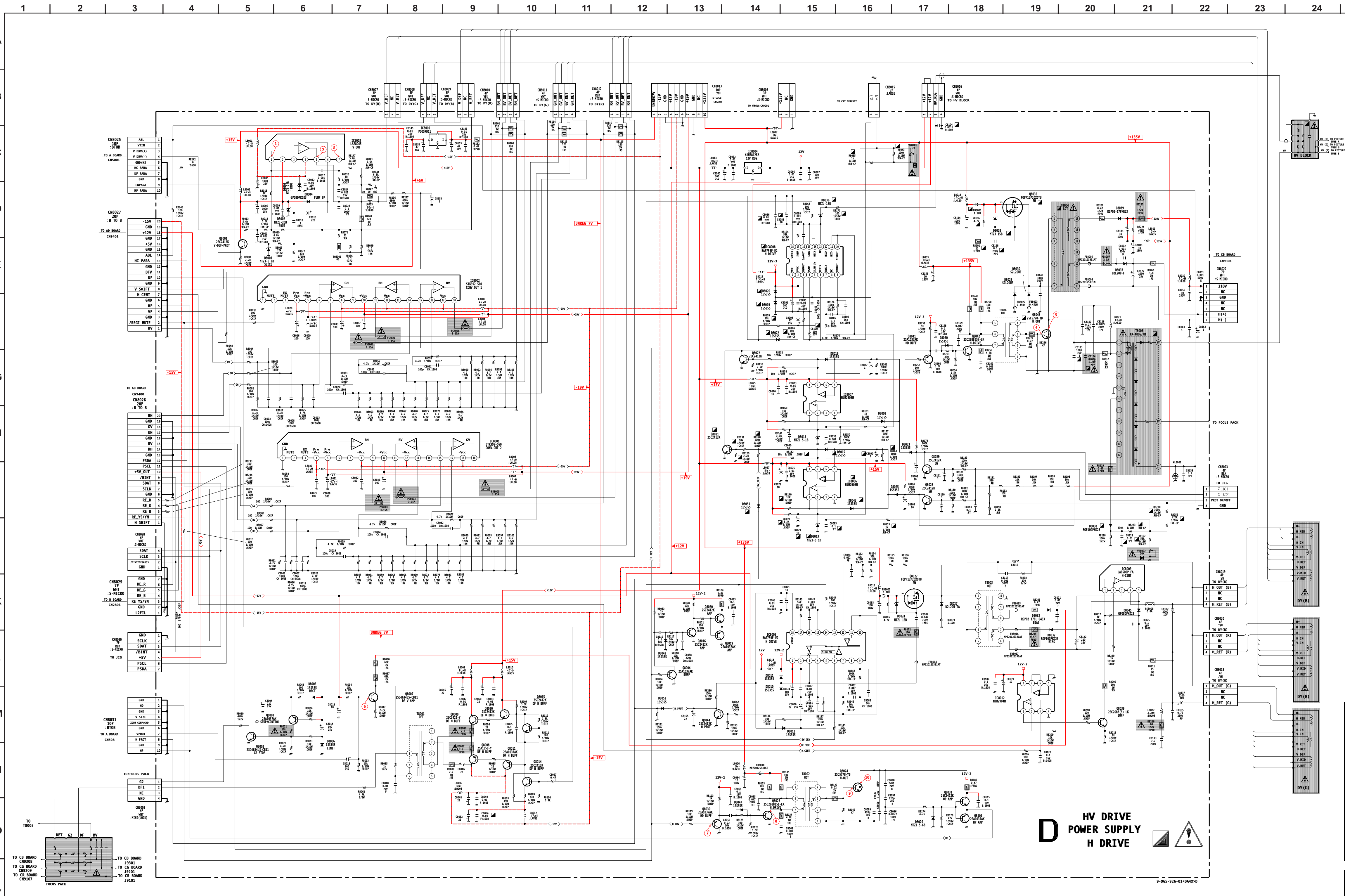


[CONDUCTOR SIDE]

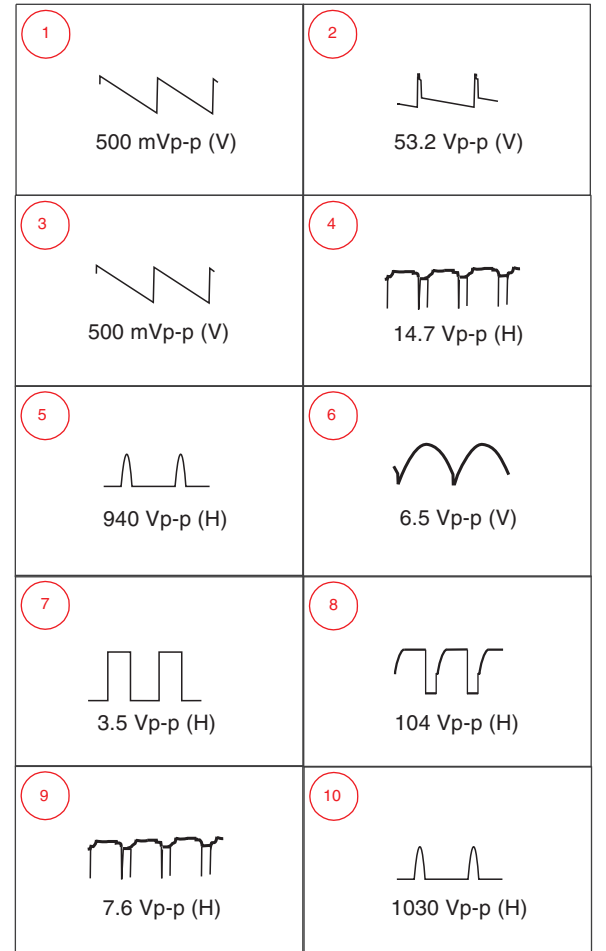




D BOARD SCHEMATIC DIAGRAM



D BOARD WAVEFORMS



D BOARD IC VOLTAGE LIST

IC8001	14	0.3	15	GND	10	7.4	
PIN VOLT	15	0	16	3.2	11	7.4	
1	GND	16	0	17	2.6	12	7.4
2	4.3	17	-22	18	9.1	13	GND
3	N/C	18	0.1	IC8006	14	7.1	
4	-22.0	IC8003	PIN	VOLT	15	GND	
5	22.0	PIN	VOLT	1	0.1	16	3.2
6	-0.3	1	1.3	2	5.0	17	2.6
7	-0.3	2	15.0	3	4.5	18	9.1
8	-22.0	3	-13.1	4	GND	IC8009	
9	-0.5	4	-15.0	5	0.0	PIN	VOLT
10	22.0	5	0.4	6	5.0	1	98.2
11	0.1	6	15.0	7	0.1	2	98.2
12	-22.0	7	1.3	8	15.0	3	94.0
13	0.0	IC8004	IC8007	PIN	VOLT	4	97.8
14	0.0	PIN	VOLT	PIN	VOLT	5	101.1
15	0.0	I	15.0	1	0.1	IC8010	
16	0.0	O	12.0	2	5.0	PIN	VOLT
17	-22.0	G	GND	3	4.0	I	7.0
18	0.1	IC8005	4	GND	O	5.0	
IC8002	PIN	VOLT	5	0.0	G	GND	
PIN	VOLT	1	12.0	6	5.0	IC8012	
1	GND	2	12.0	7	0.1	PIN	VOLT
2	4.3	3	5.8	8	15.0	1	2.7
3	N/C	4	GND	IC8008	2	2.1	
4	-22.0	5	7.9	PIN	VOLT	3	2.1
5	22.0	6	3.8	1	12.0	4	GND
6	-0.1	7	3.8	2	12.0	5	GND
7	-0.1	8	N/C	3	6.0	6	0.0
8	-22.0	9	3.8	4	GND	7	0.0
9	0.0	10	3.6	5	8.0	8	12.0
10	22.0	11	3.6	6	7.4		
11	0.5	12	3.6	7	7.4		
12	-22.0	13	GND	8	N/C		
13	0.3	14	7.1	9	3.3		

D BOARD TRANSISTOR VOLTAGE LIST

Q8001	B	C	E	Q8021	B	C	E
Q8001	-0.4	15.0	0.1	Q8021	0.0	8.9	GND
Q8002	0	13.0	GND	Q8022	0.0	8.9	GND
Q8003	14.6	0.0	14.6	Q8023	-0.5	68.0	GND
Q8004	3.4	GND	4.0	Q8024	0.1	242.0	GND
Q8007	5.8	204.0	5.2	Q8028	0.5	0.0	GND
Q8008	2.8	-22.0	3.3	Q8029	0.5	0.0	GND
Q8009	4.0	22.0	3.4	Q8030	3.4	GND	4.0
Q8010	4.5	22.0	4.0	Q8031	0.2	12.0	0.6
Q8011	2.3	-22.0	2.7	Q8039	2.7	76.7	2.1
Q8014	-20.0	2.3	-20.6	Q8041	3.4	GND	8.9
Q8015	2.9	4.5	2.3	Q8042	9.6	29.8	GND
Q8016	-0.3	7.4	GND	Q8043	8.9	192.0	0.1
Q8019	7.4	GND	7.2	Q8044	0.6	0.0	GND
Q8020	7.4	12.0	7.2	Q8101	0.2	GND	0.6

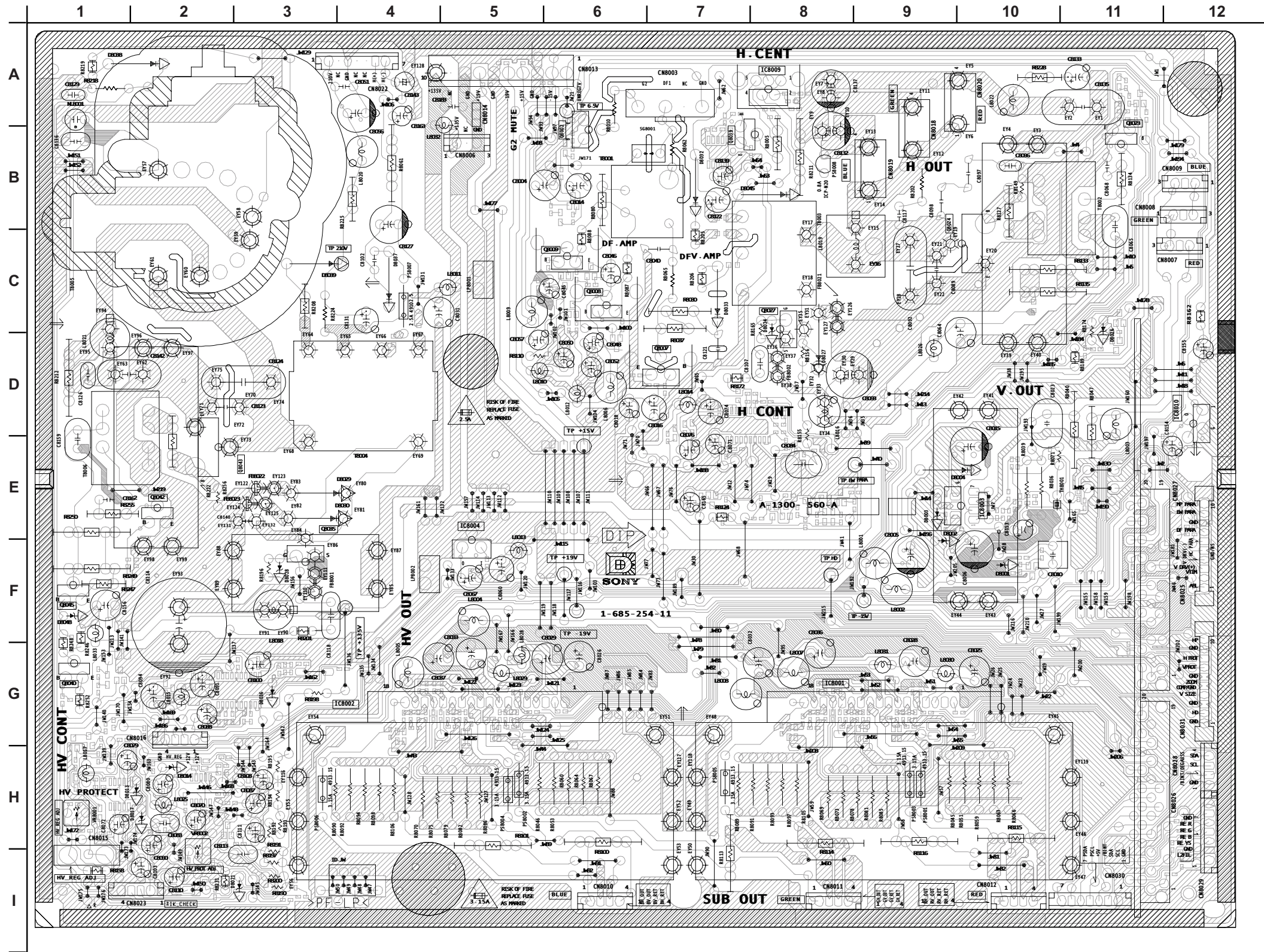
Q8027	D	G	S
Q8027	112.3	131.1	135.0
Q8035	115.6	130.9	135.9

All voltages are in V.

**D HV DRIVE POWER SUPPLY H DRIVE**

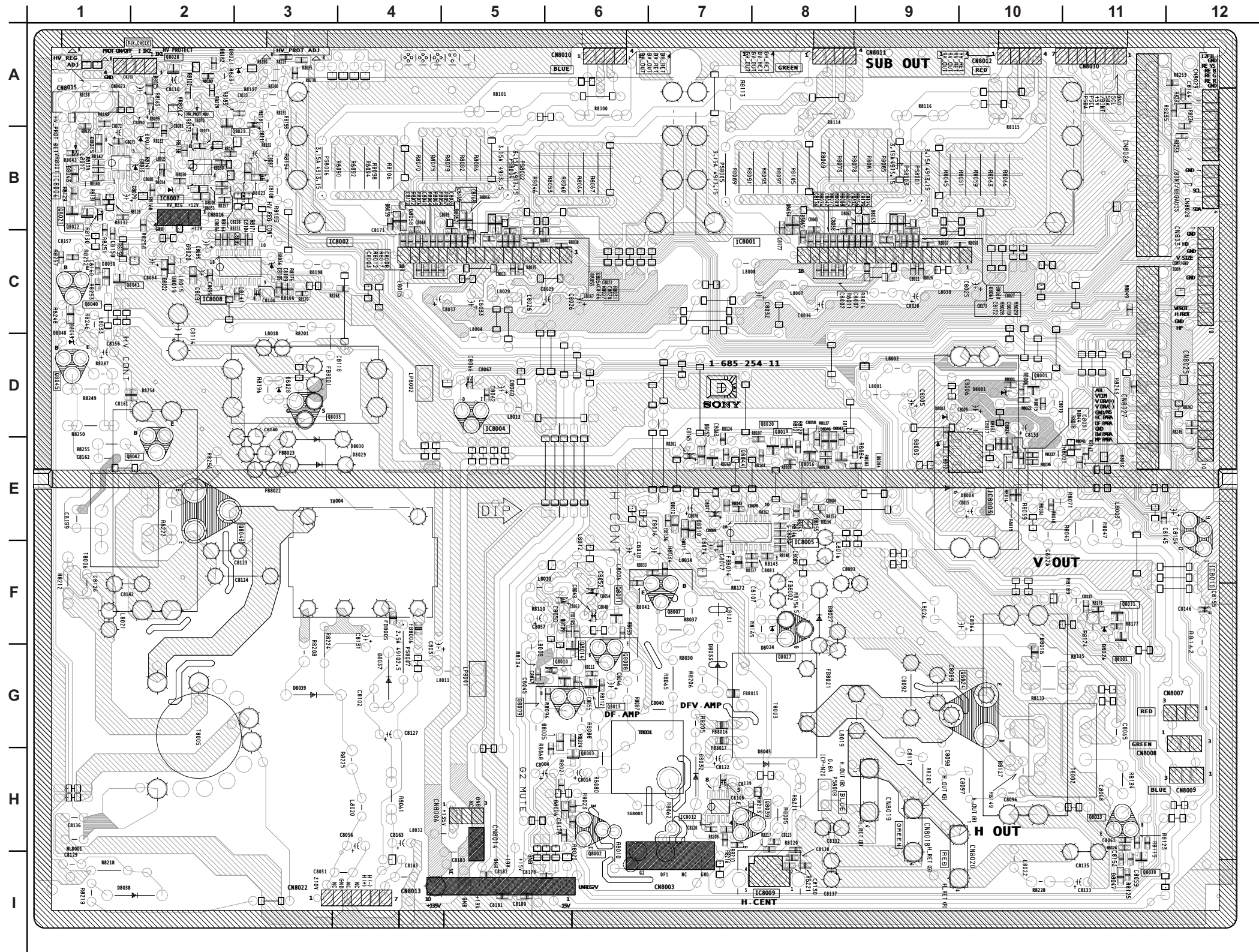


**D** [HV DRIVE, POWER SUPPLY, H DRIVE] [COMPONENT SIDE]





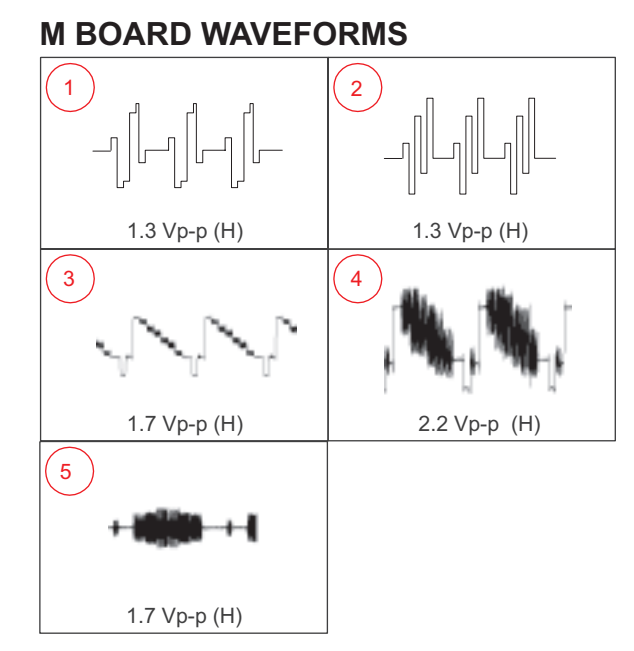
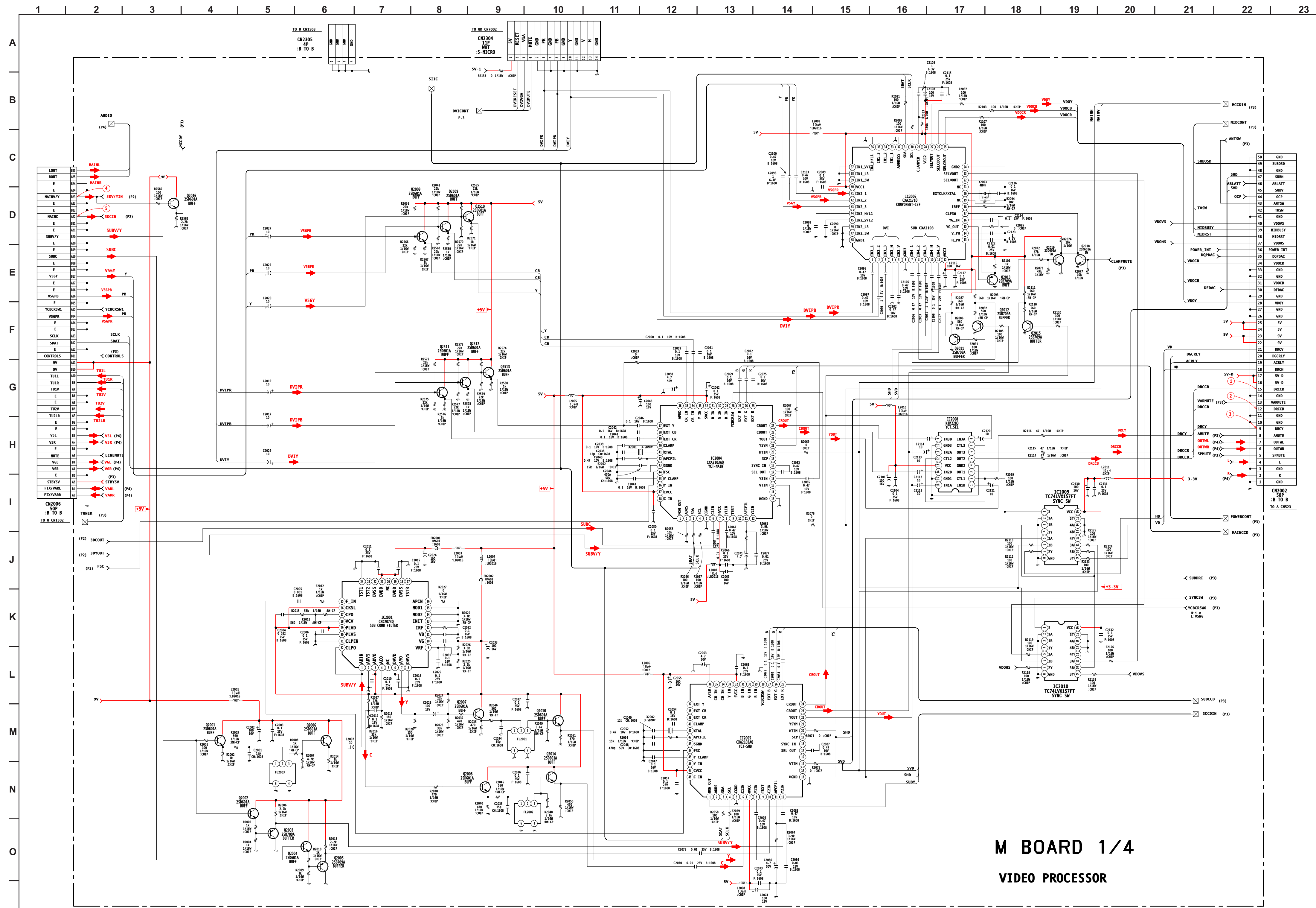
**D** [HV DRIVE, POWER SUPPLY, H DRIVE] [CONDUCTOR SIDE]



D BOARD LOCATOR LIST			
	IC	DIODE	
IC8001	C-7	D8001	D-10
IC8002	C-3	D8002	D-9
IC8003	E-10	D8003	D-9
IC8004	D-5	D8004	E-9
IC8005	F-8	D8005	H-5
IC8006	B-1	D8006	H-6
IC8007	B-2	D8008	B-2
IC8008	C-2	D8010	E-7
IC8009	I-8	D8011	E-7
IC8010	F-12	D8012	E-7
IC8012	H-7	D8013	B-2
	TRANSISTOR		
Q8001	D-10	D8015	B-1
Q8002	H-6	D8016	B-3
Q8003	G-6	D8019	C-2
Q8004	E-9	D8020	C-2
Q8007	F-7	D8022	C-2
Q8008	G-6	D8023	B-3
Q8009	G-5	D8024	G-7
Q8010	G-6	D8025	A-2
Q8011	F-6	D8026	G-11
Q8014	G-6	D8027	F-8
Q8015	G-6	D8028	D-3
Q8016	E-8	D8029	E-3
Q8019	D-8	D8030	E-3
Q8020	D-8	D8032	H-7
Q8021	B-1	D8033	G-7
Q8022	B-1	D8036	C-3
Q8023	H-11	D8037	G-4
Q8024	G-10	D8038	I-2
Q8027	F-8	D8039	G-3
Q8028	A-2	D8042	D-8
Q8029	B-3	D8043	B-1
Q8030	I-11	D8045	H-8
Q8031	F-11	D8047	I-11
Q8035	D-3	D8050	C-1
Q8039	H-8	D8051	B-2
Q8041	C-2	D8052	D-7
Q8042	E-2		
Q8043	E-3		
Q8044	E-8		
Q8101	G-11		



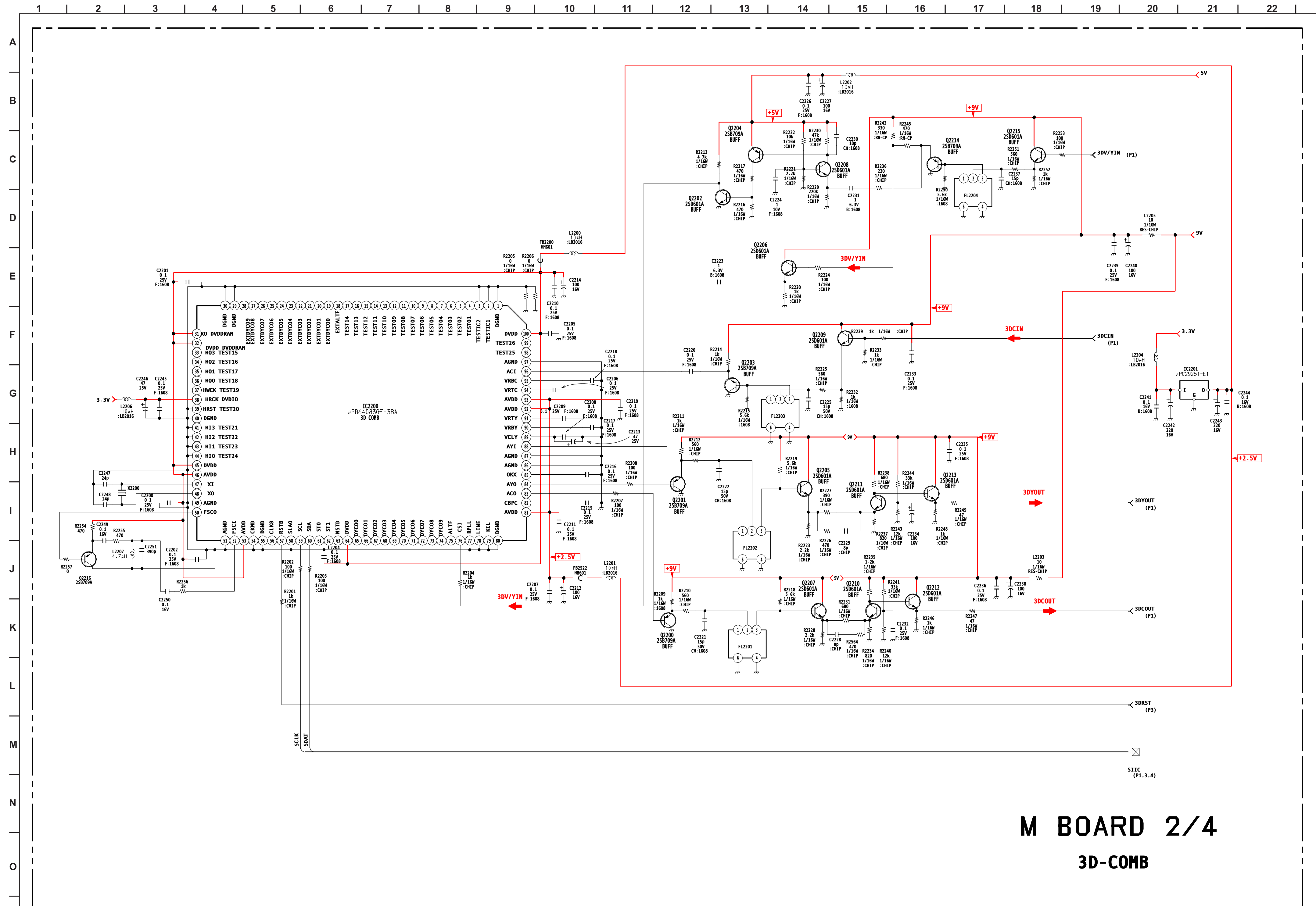
M BOARD SCHEMATIC DIAGRAM (1 OF 4) The M board is not field repairable. If service is required, use the following part number to order a complete replacement board. A-1300-646-A M Board, Complete



M BOARD 1/4 VIDEO PROCESSOR

9-965-926-01-04MxN(1/4)

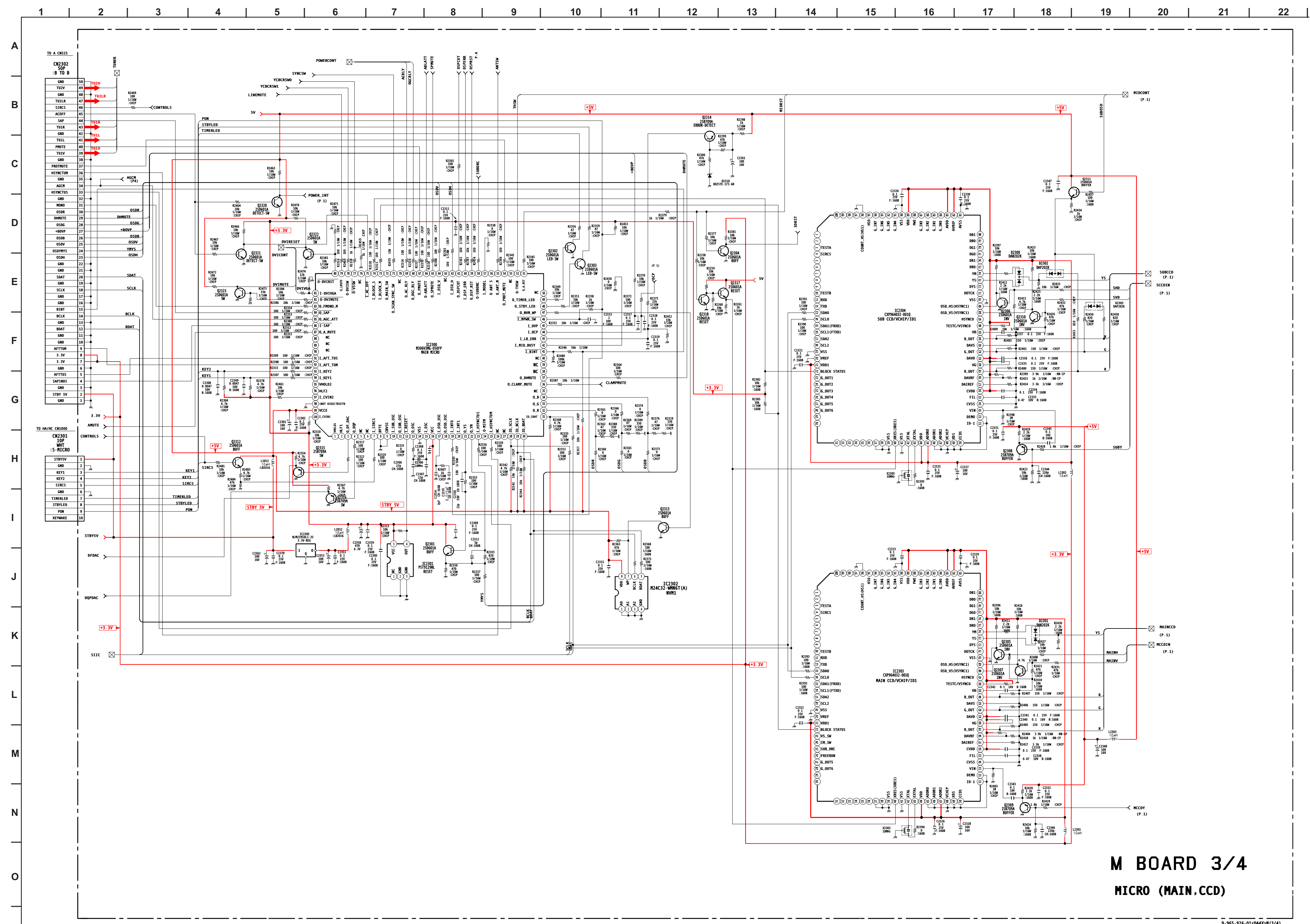
M BOARD SCHEMATIC DIAGRAM (2 OF 4)



M BOARD 2/4  
3D-COMB



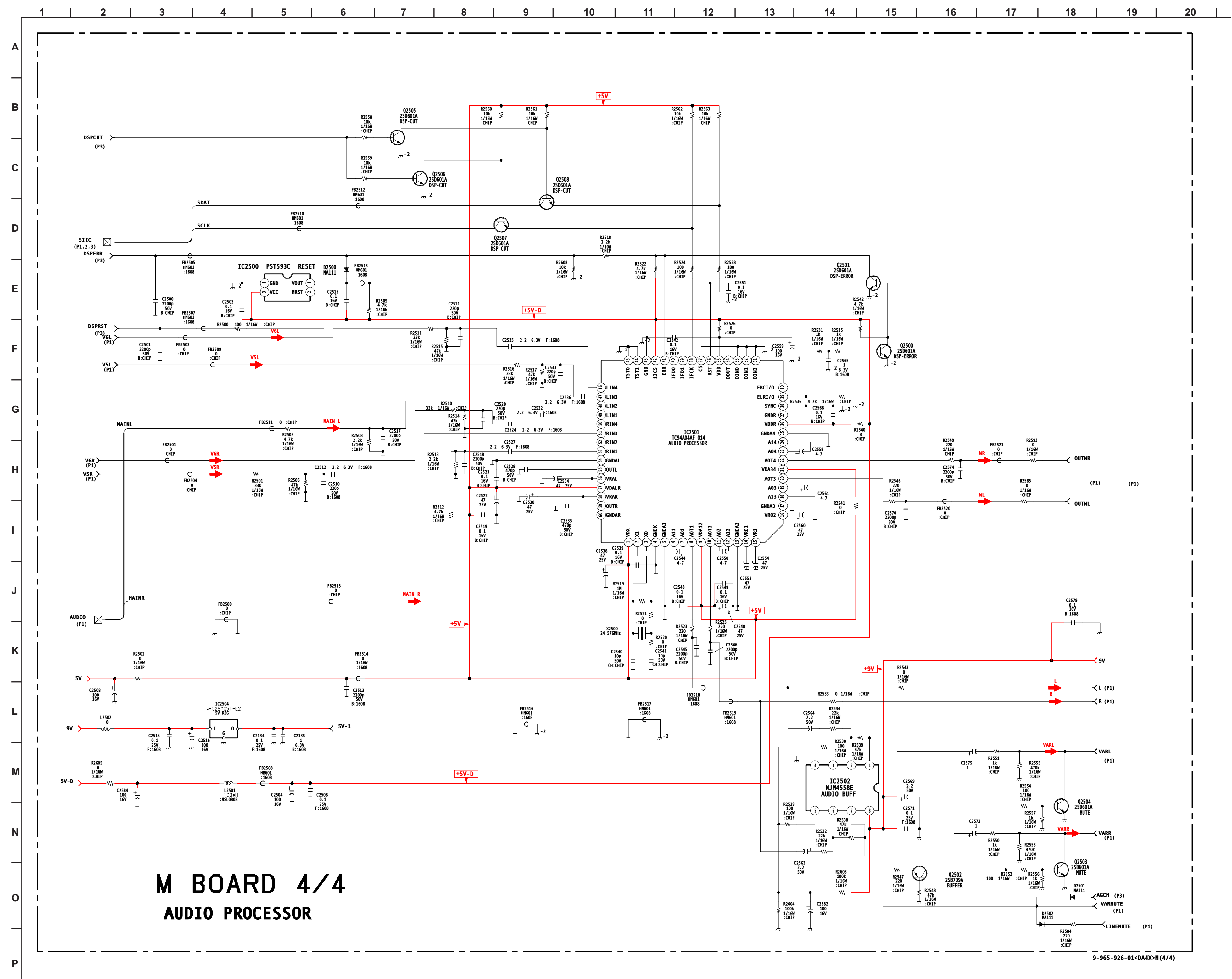
M BOARD SCHEMATIC DIAGRAM (3 OF 4)



M BOARD 3/4  
MICRO (MAIN.CCD)

9-965-926-01-OMAX-R(3/4)

M BOARD SCHEMATIC DIAGRAM (4 OF 4)



M BOARD 4/4  
AUDIO PROCESSOR

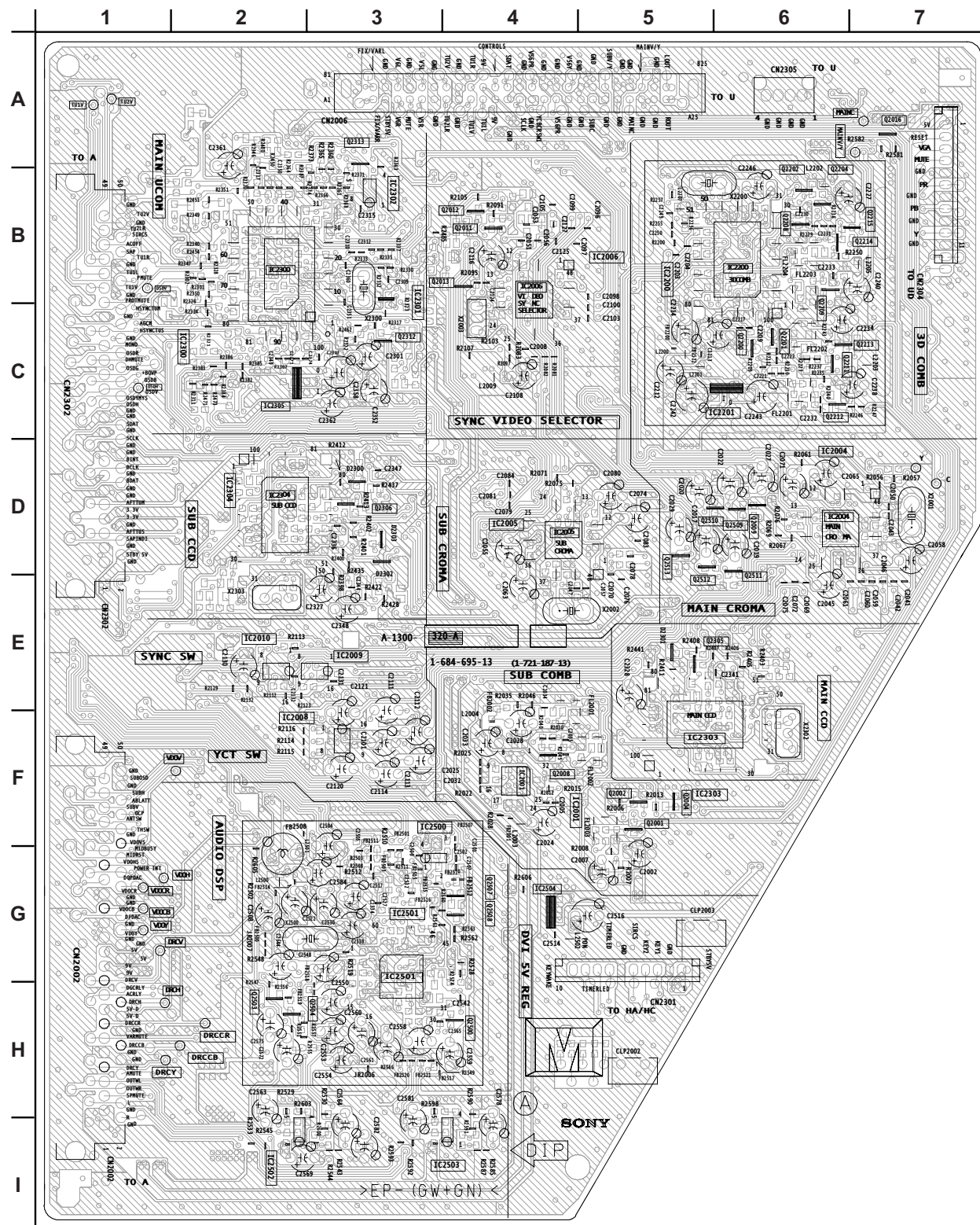
9-965-926-01<DA4X>M(4/4)



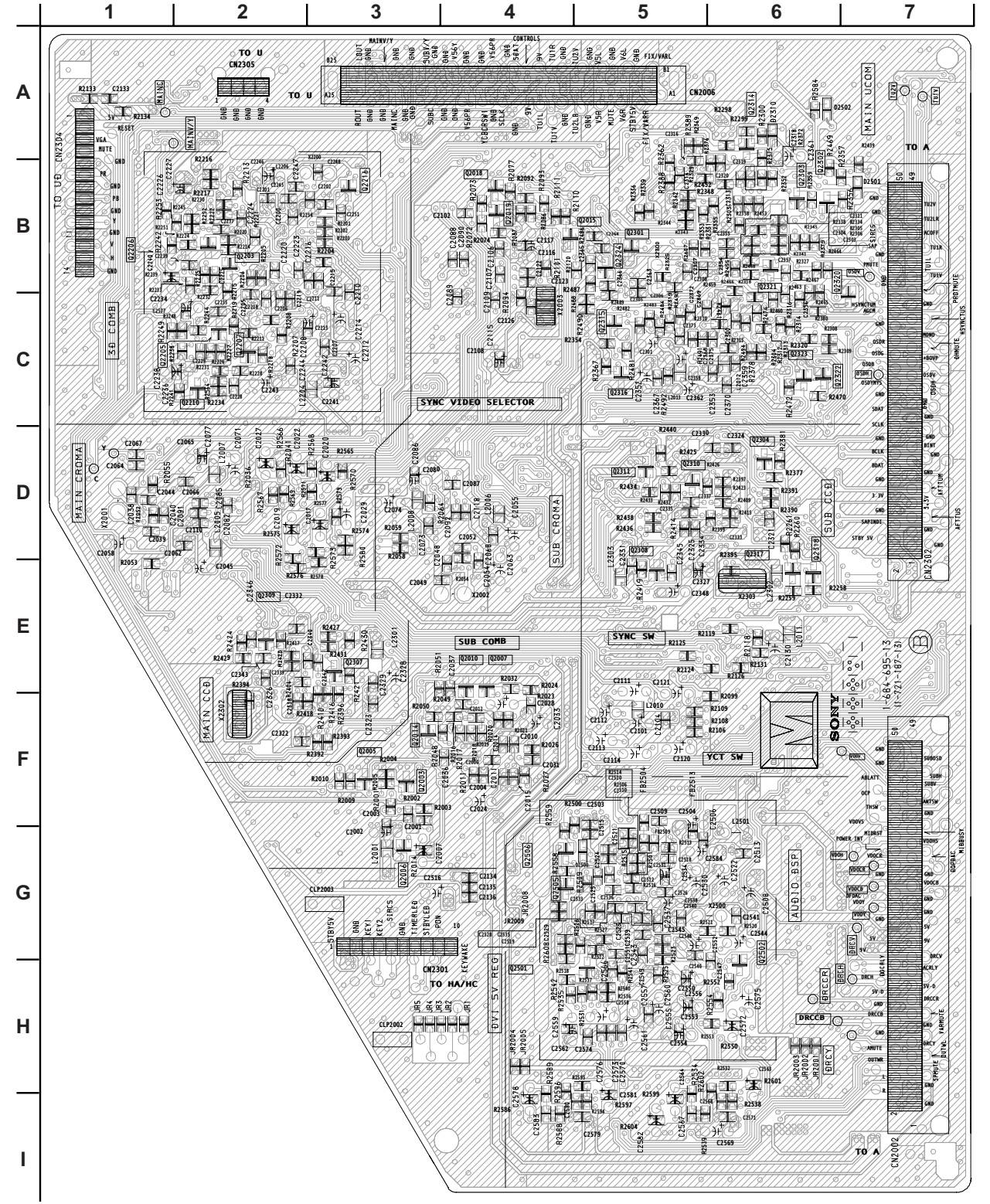


[VIDEO PROCESSOR, 3-D COMB, MICRO (MAIN, CCD), AUDIO PROCESSOR]

[COMPONENT SIDE]

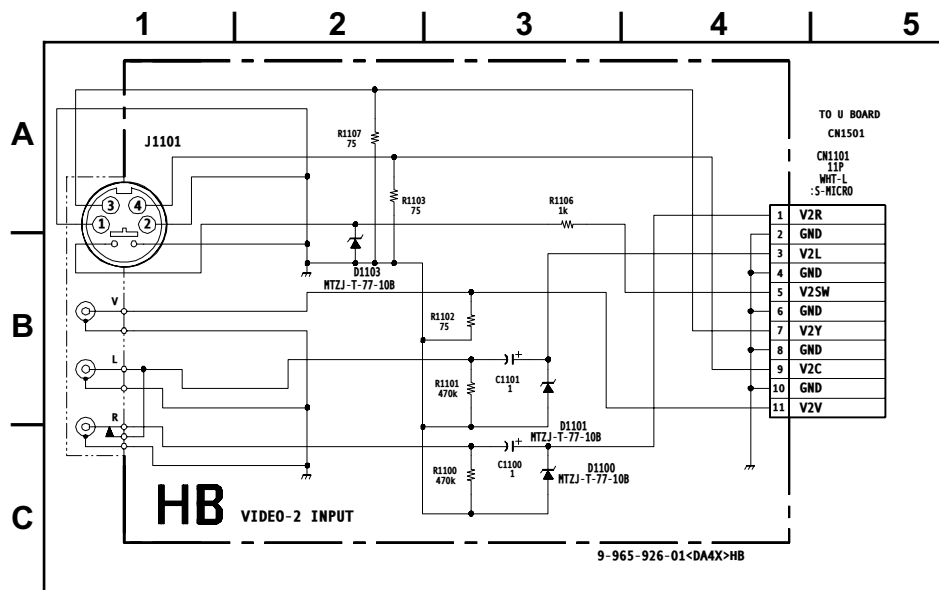


[CONDUCTOR SIDE]



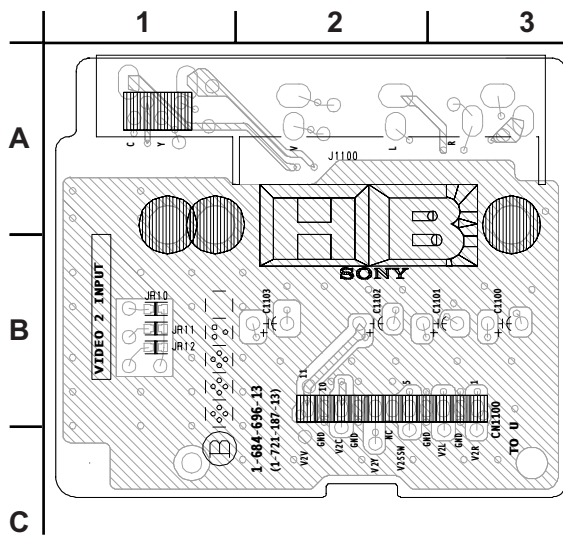
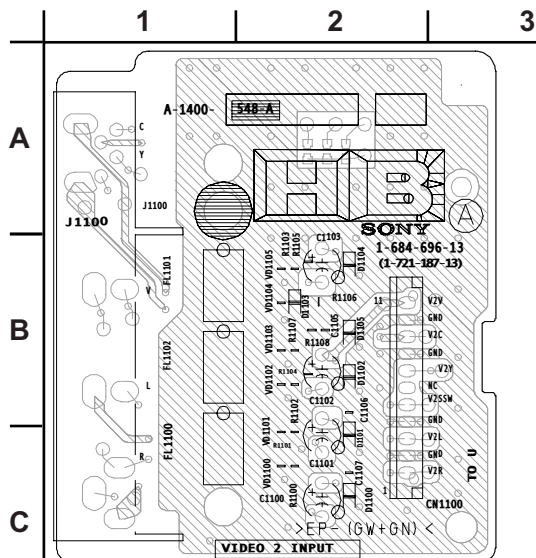


# HB BOARD SCHEMATIC DIAGRAM

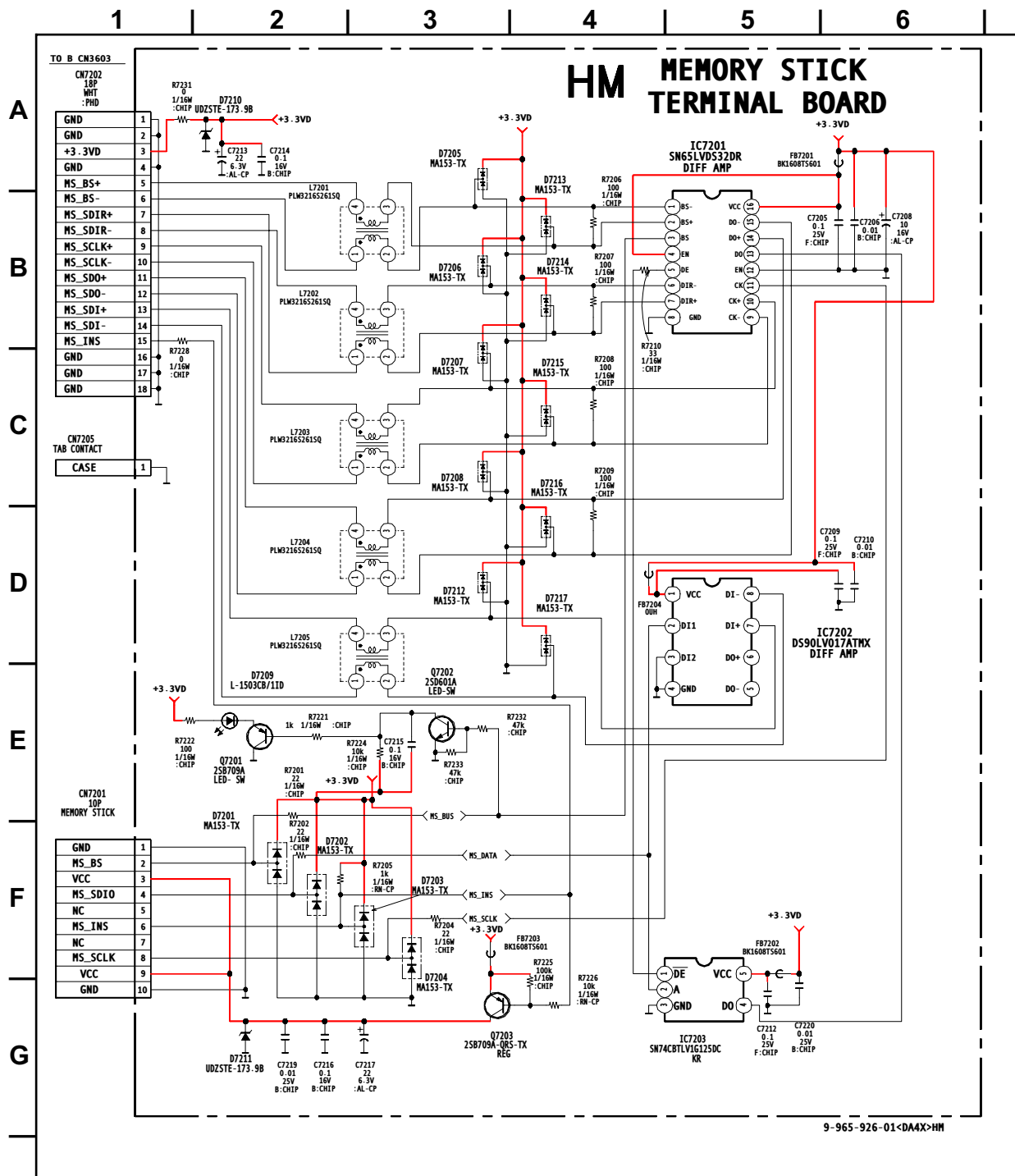


**HB** [VIDEO-2 INPUT]  
COMPONENT SIDE

CONDUCTOR SIDE

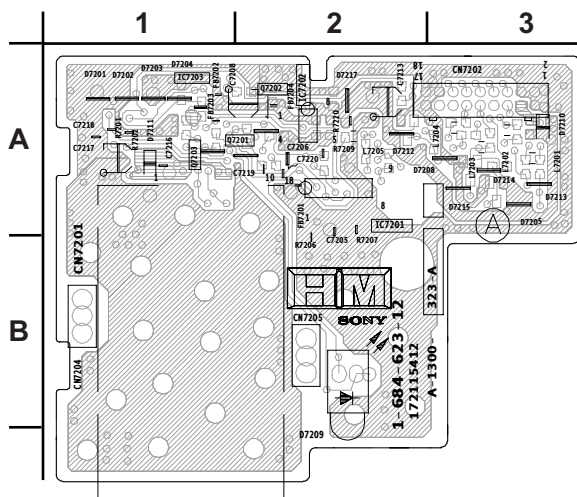


**HM BOARD SCHEMATIC DIAGRAM** The HM board is not field repairable. If service is required, use the following part number to order a complete replacement board. A-1300-323-A HM Board, Complete

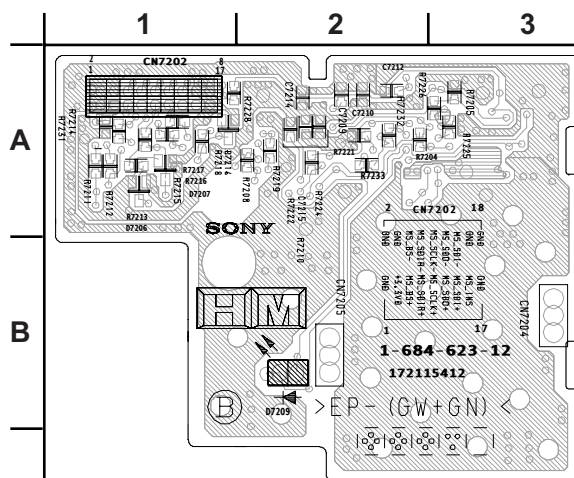




[MEMORY STICK, TERMINAL BOARD]  
COMPONENT SIDE

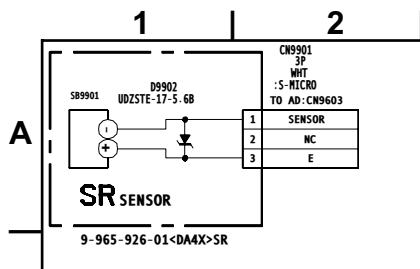


CONDUCTOR SIDE

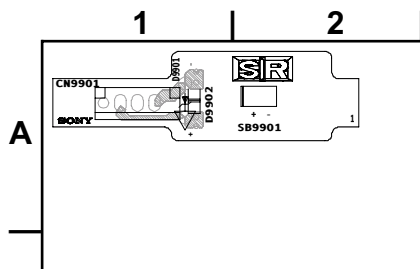


**SR BOARD SCHEMATIC DIAGRAM**

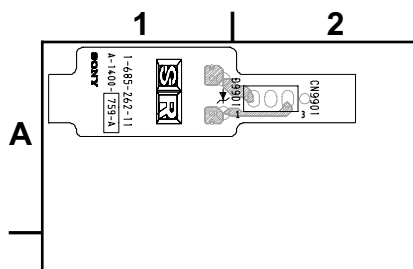
The SR board is not field repairable. If service is required, use the following part number to order a complete replacement board. A-1400-759-A SR Board, Complete



[SENSOR]  
COMPONENT SIDE

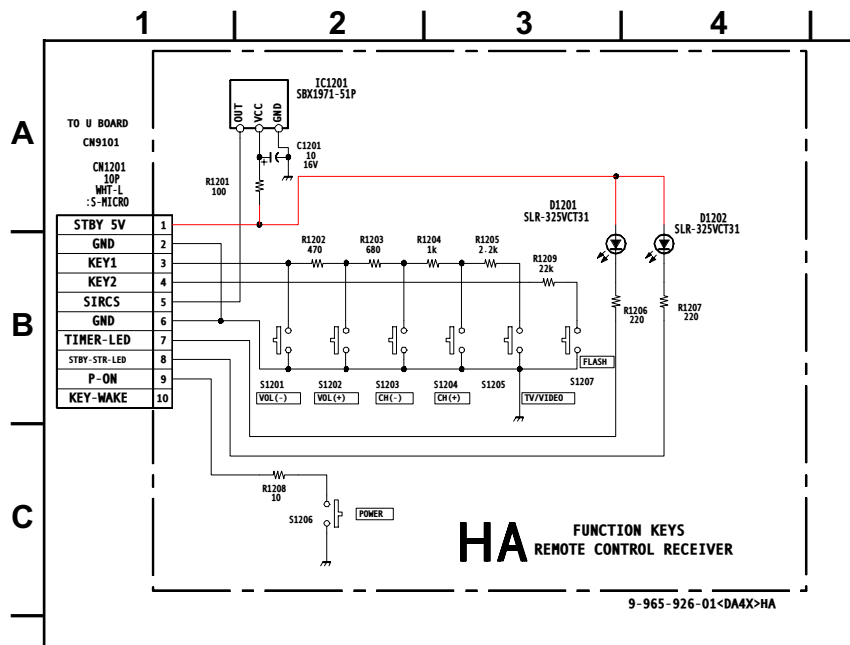


CONDUCTOR SIDE





# HA BOARD SCHEMATIC DIAGRAM

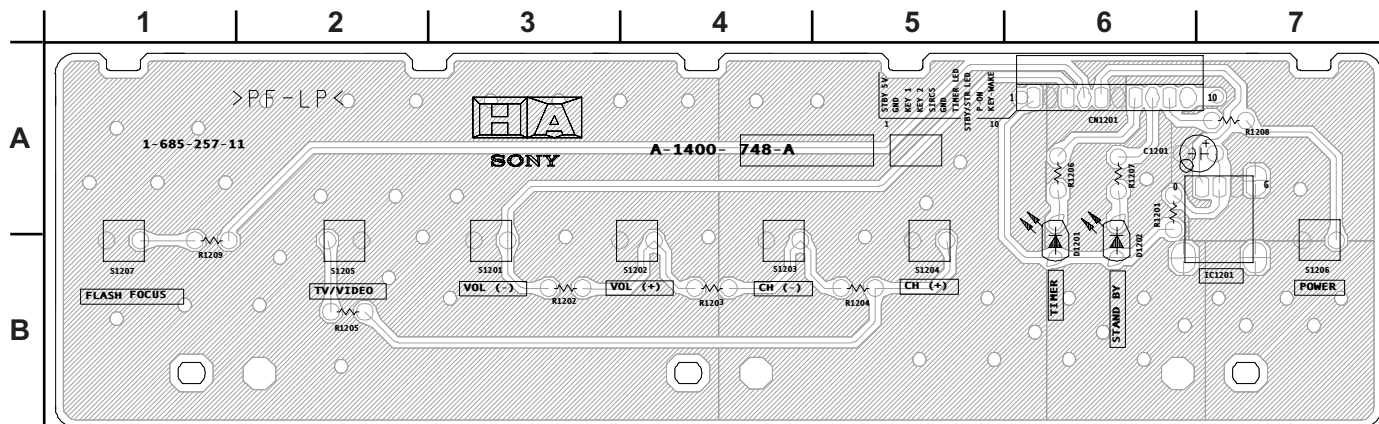


## HA BOARD IC VOLTAGE TABLE

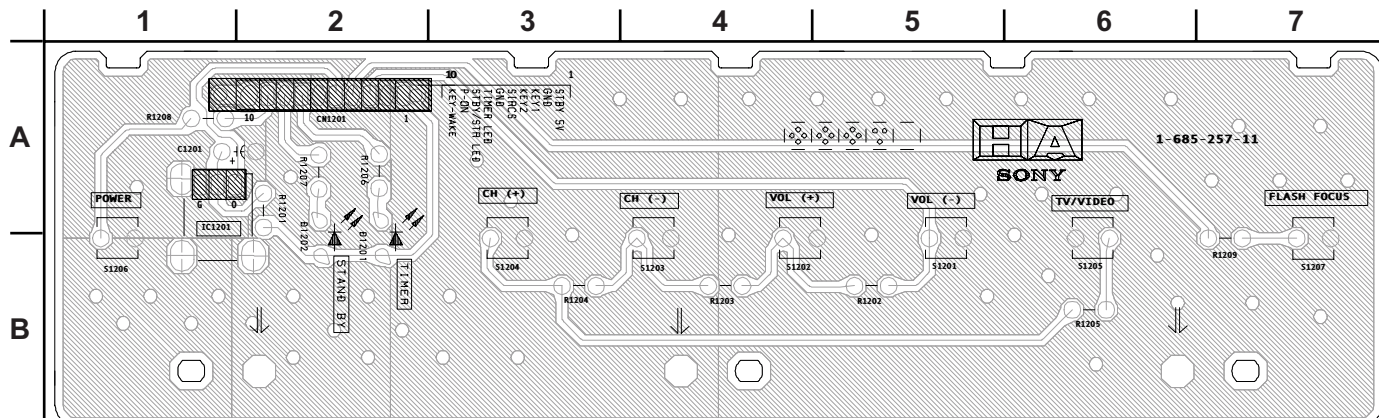
IC12001	
PIN	VOLT
1	5.0
2	5.0
3	GND

All voltages are in V.

## HA [FUNCTION KEYS, REMOTE CONTROL RECEIVER] COMPONENT SIDE

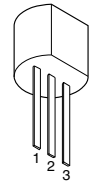


## CONDUCTOR SIDE

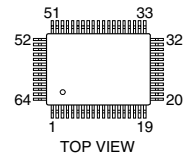


5-5. SEMICONDUCTORS

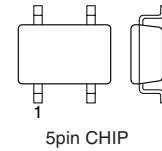
AN77L12-TA  
NJM78L12A-T3  
NJM79L05A  
NJM79L05A-T3



CXA2069Q  
CXA2150AQ

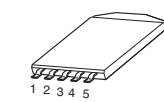


MAX4450EUK-TG069

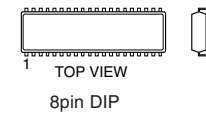


M24C04-WMN6T(A)  
M24C32-WMN6T(A)  
NJM2068V-TE2  
NJM2521M(TE2)  
NJM2903M  
NJM2903M-TE2  
NJM2904M  
NJM2904M(TE2)  
NJM4558M-T2  
NJM4558M-TE2  
NJM4558V-TE2  
µPC4558G2

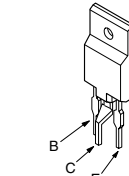
PST9143NL



µPC393C

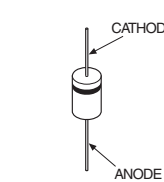


2SC5681-YB

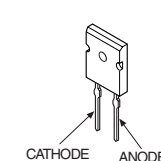


DTZ10B  
MA111-TX  
UDZ-TE-17- 8.2B  
UDZ-TE-17-7.5B  
UDZS-TE17-12B  
UDZS-TE17-22B  
UDZS-TE17-33B  
UDZSTE-1710B  
UDZSTE-1720B  
UDZSTE-175.1B  
UDZSTE-175.6B  
UDZSTE-177.5B  
UDZSTE-178.2B  
1SS355TE-17

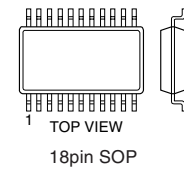
D2L20U-F  
ERC04-06SE



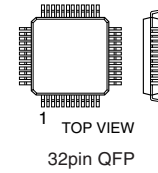
FMQ-G5FMS  
PG124S15



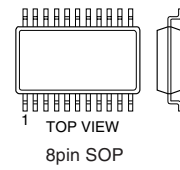
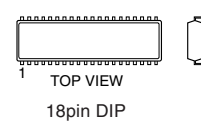
BA9759F-E2



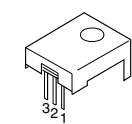
CXD2073Q-T4



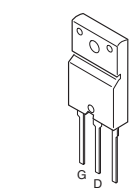
MCZ3001D



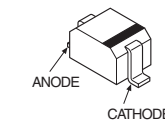
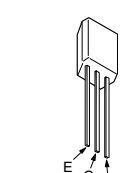
SBX1971-51P



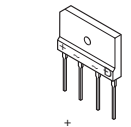
IRFIB7N50A-LF31



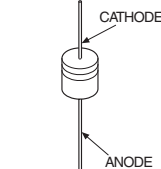
2SD2144S-TP-V  
2SD2144S-V



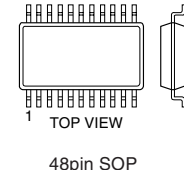
D2SB60A-F04  
D4SBS4-F  
D6SB60LF



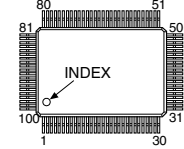
MTZJ-T-77-15B  
MTZJ-T-77-20B  
MTZJ-T-77-5.1B  
RD15ES-B2  
RD18ES-B2  
RD20ES-B2  
RD5.1ESB2  
RD5.6ESB2  
1SS133T-77



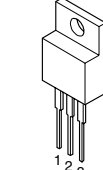
CD0031AM



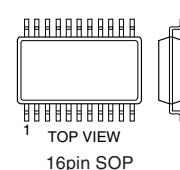
CXP961064-001Q  
M306V2ME-154FP  
µPD64082GF-3BA



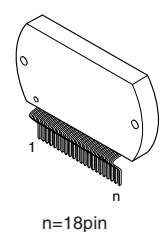
MC7805CT  
MC7812CT  
NJM7805FA  
NJM7812FA  
PQ09RF21  
TA7805S  
TA7812S



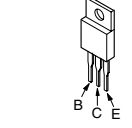
M52055FP  
TC74HCT157AF  
TC74HCT157AF(EL)  
TC74LVX157FT(EL)



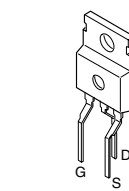
STK392-560



1MB12-140-F153A  
2SA2005  
2SC4634LS-CB11  
2SC5511

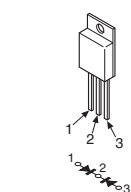


2SJ585LS-CC11

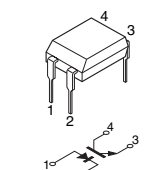


D1NL20U  
D1NL20U-TA2  
D2L20U  
D2L20U-TA  
EL1Z  
ERA22-08  
ERA22-08TP3  
GP08D  
GP08DPKG23  
MTZJ-T-77-18B  
MTZJ-T-77-22B  
MTZJ-T-77-5.6B  
RGP02-17EL-6433  
RGP02-17PKG23  
RGP10GPKG23  
S2L40F  
10ERA60-TP  
1SS83  
1SS83TD

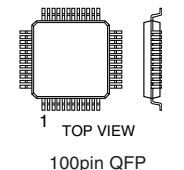
D25SC6MF04



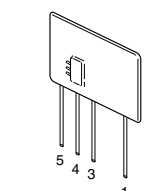
PC123F2  
PC123FY2



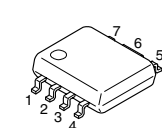
CM0017AF



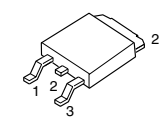
DM-58



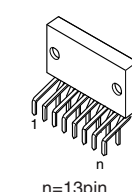
MM1476AF(TP)



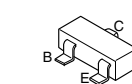
NJM2391DL1-33-TE1



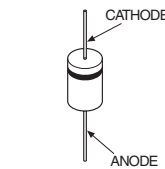
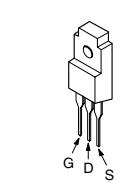
TDA6120Q/N2/S1



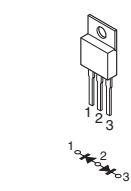
2SA1037AK-T146-QR  
2SA1037AK-T146-R  
2SA1226  
2SA1226-T1E3E4  
2SB709A-QRS-TX  
2SC1623-L5L6  
2SC2412K-T-146-QR  
2SD601A-Q  
2SD601A-QRS-TX



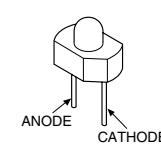
2SK2876-01MR-F122



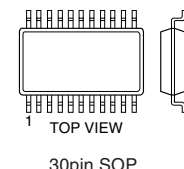
D25SC6MRF04



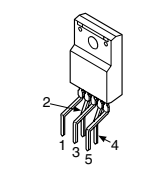
SLR-325VCT31



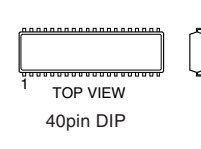
CXA1726AM  
CXA1726AM-T6



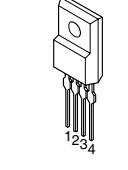
LA6500-FA  
LA6500P-FA



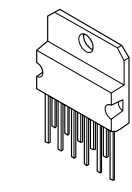
MSM514265C-60JS  
µPD424210LE-60-E2



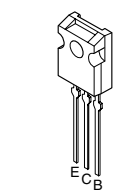
NJM2395AF05  
NJM2395F09



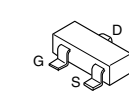
TDA7265



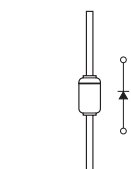
2SA1358-Y  
2SC3421-Y



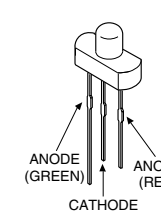
2SK3018-T106



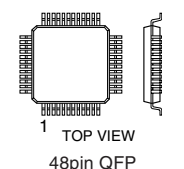
ERD07-15L



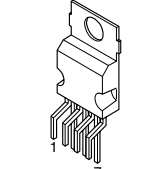
SPR-325MVW



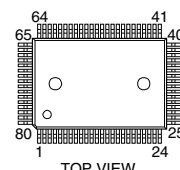
CXA2103Q  
CXA2151Q



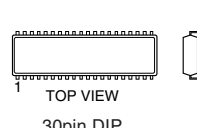
LA78045  
TDA2052



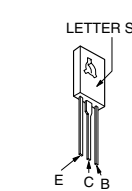
NJW1106FC2



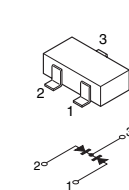
TDA7312



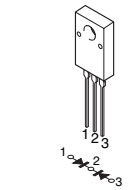
2SC2688(5)-LK



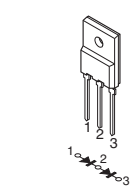
DAN202K  
DAN202K-T-146



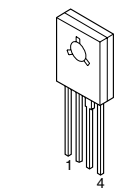
D10SC6M



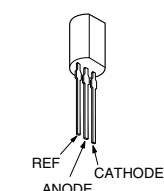
FCQ30A04



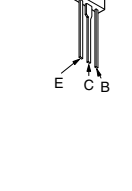
PQ30RV11



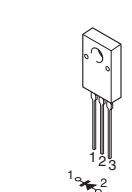
µPC1093J-1-T



DAP202K  
DAP202K-T-146



D10SC6MR





## SECTION 6: EXPLODED VIEWS

Components not identified by a part number or description are not stocked because they are seldom required for routine service.

The component parts of an assembly are indicated by the reference numbers in the far right column of the parts list and within the dotted lines of the diagram.

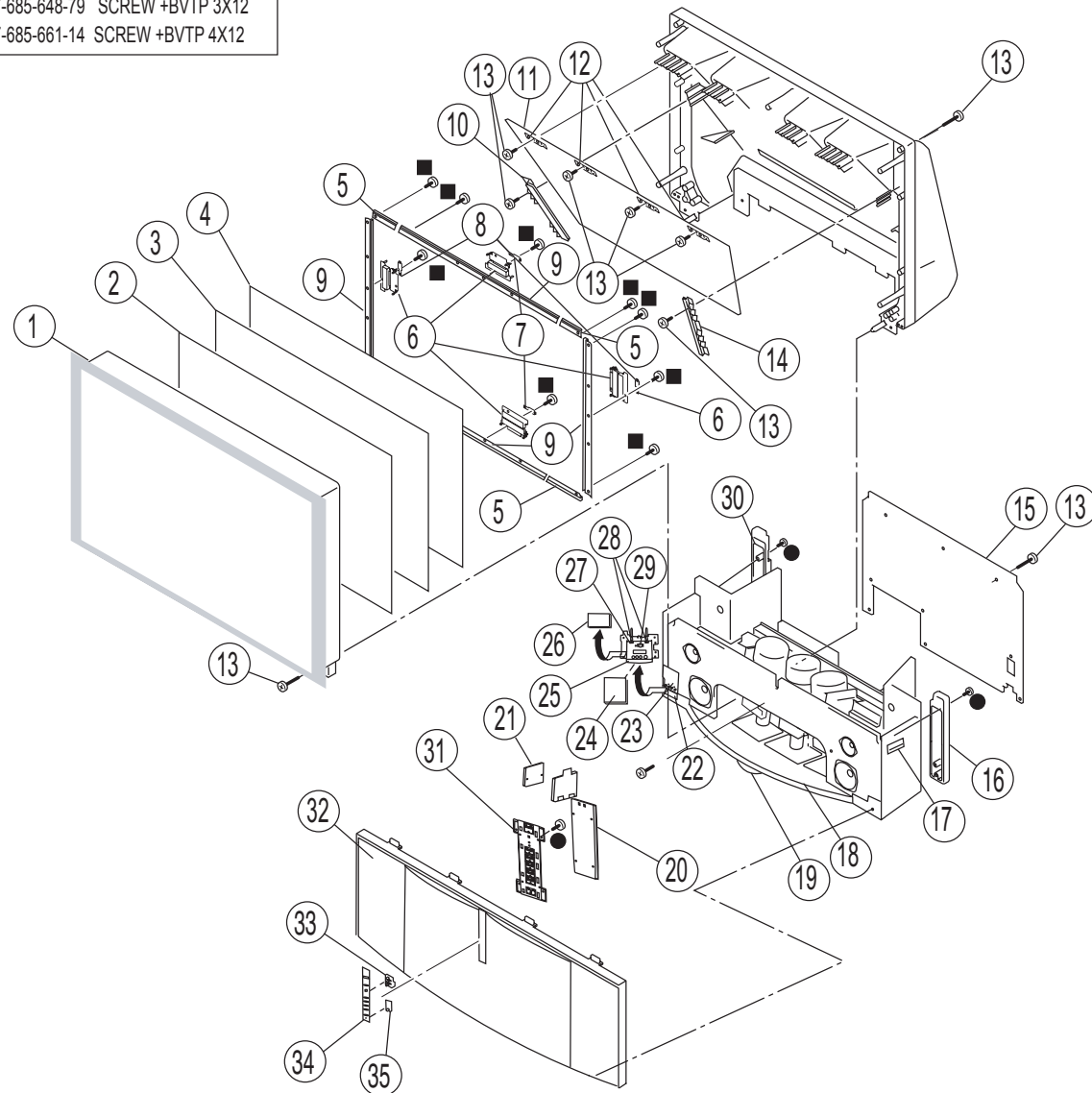
\* Items marked with an asterisk are not stocked since they are seldom required for routine service. Expect some delay when ordering these components.

NOTE: The components identified by shading and  mark are critical for safety. Replace only with part number specified.


NOTE: Les composants identifiés par un trame et une marque  sont critiques pour la sécurité. Ne les remplacer que par une pièce portant le numéro spécifique.


### 6-1. COVER (KP-57WV600/57WV700 ONLY)

- 7-685-648-79 SCREW +BVTP 3X12
- 7-685-661-14 SCREW +BVTP 4X12



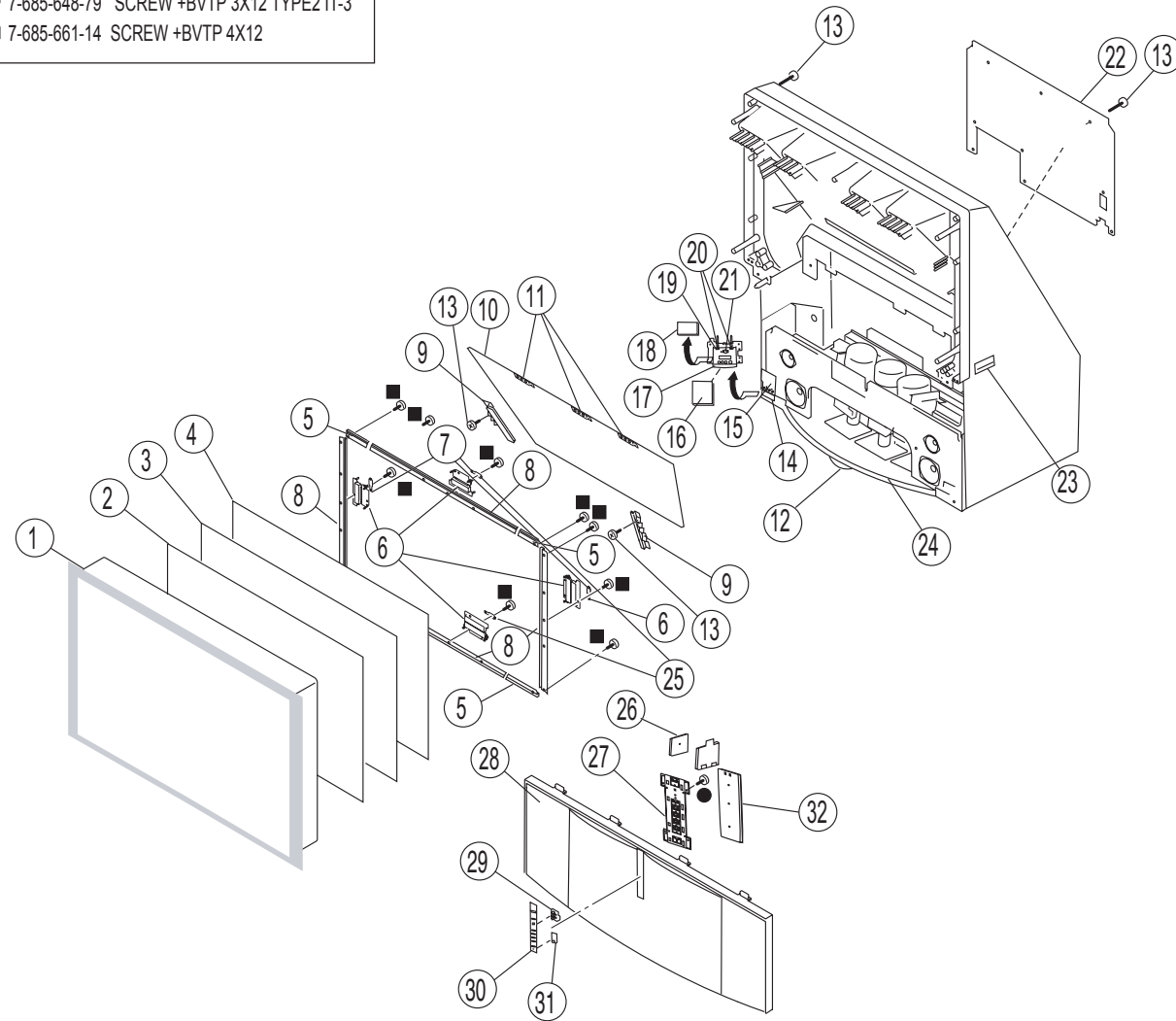
REF.NO.	PART NO.	DESCRIPTION	REF.NO.	PART NO.	DESCRIPTION
1	X-4040-450-1	BEZNET ASSY KP-57WV600 ONLY	18	4-088-631-01	SKIRT, FRONT KP-57WV600 ONLY
1	X-4040-448-1	BEZNET ASSY KP-57WV700 ONLY	18	4-088-603-01	SKIRT, FRONT KP-57WV700 ONLY
2	A-1603-725-A	CONTRAST SCREEN ASSY KP-57WV600 ONLY	19	4-075-020-01	FOOT, PLASTIC
2	A-1603-723-A	CONTRAST SCREEN ASSY KP-57WV700 ONLY	20	* A-1400-748-A	HA MOUNT
3	4-088-638-11	PLATE, DIFFUSION (WL) KP-57WV600 ONLY	21	* A-1300-323-A	HM COMPLETE PC BOARD
3	4-088-611-11	PLATE, DIFFUSION (WL) KP-57WV700 ONLY	22	4-088-572-01	LABEL, INPUT TERMINAL
4	4-088-637-11	PLATE, DIFFUSION (WF) KP-57WV600 ONLY	23	4-088-569-01	BRACKET, INPUT TERMINAL
4	4-088-610-11	PLATE, DIFFUSION (WF) KP-57WV700 ONLY	24	4-088-571-01	PLATE, INPUT TERMINAL
5	* 4-089-180-01	HOLDER, SCREEN SHORT	25	3-973-975-41	DAMPER, OIL
6	* A-1400-759-A	SR MOUNT	26	* A-1400-747-A	HB MOUNT
7	4-088-460-21	CUSHION, SCREEN	27	4-088-570-01	COVER, INPUT TERMINAL
8	4-088-460-31	CUSHION, SCREEN	28	4-088-573-01	SPRING
9	* 4-088-461-01	HOLDER, SCREEN	29	4-047-464-01	CATCHER, PUSH
10	* 4-088-600-01	HOLDER (L), MIRROR	30	* 4-088-629-01	PANEL L, SIDE KP-57WV600 ONLY
11	4-088-598-01	MIRROR	30	* 4-088-606-01	PANEL (L), SIDE KP-57WV700 ONLY
12	* 4-081-501-01	HOLDER, MIRROR	31	4-088-622-01	BUTTON KP-57WV600 ONLY
13	4-081-063-01	SCREW, DOME WASHER HEX TAP 4X20	31	4-088-585-01	BUTTON KP-57WV700 ONLY
14	* 4-088-601-01	HOLDER (R), MIRROR	32	X-4040-323-1	GRILLE ASSY, SPEAKER KP-57WV600 ONLY
15	* 4-088-115-01	BOARD, REAR KP-57WV600 ONLY	32	X-4040-326-1	GRILLE ASSY, SPEAKER KP-57WV700 ONLY
15	* 4-091-605-01	BOARD, REAR KP-57WV700 ONLY	33	4-088-588-01	GUIDE, LED
16	* 4-088-630-01	PANEL R, SIDE KP-57WV600 ONLY	34	4-088-621-01	PANEL, CONTROL KP-57WV600 ONLY
16	* 4-088-607-01	PANEL (R), SIDE KP-57WV700 ONLY	34	4-088-584-01	PANEL, CONTROL KP-57WV700 ONLY
17	* 4-088-541-01	HANDLE	35	4-088-586-01	GUIDE, LED

NOTE: The components identified by shading and  mark are critical for safety. Replace only with part number specified.

NOTE: Les composants identifiés par un triangle et une marque  sont critiques pour la sécurité. Ne les remplacer que par une pièce portant le numéro spécifié.

### 6-2. COVER (KP-65WV600/65WV700 ONLY)

- 7-685-648-79 SCREW +BVTP 3X12 TYPE2 IT-3
- 7-685-661-14 SCREW +BVTP 4X12



REF.NO.	PART NO.	DESCRIPTION	REF.NO.	PART NO.	DESCRIPTION
1	X-4040-449-1	BEZNET ASSY KP-65WV600 ONLY	17	3-973-975-41	DAMPER, OIL
1	X-4040-447-1	BEZNET ASSY KP-65WV700 ONLY	18	* A-1400-747-A	HB MOUNT
2	A-1603-724-A	CONTRAST SCREEN ASSY KP-65WV600 ONLY	19	4-088-570-01	COVER, INPUT TERMINAL
2	A-1603-722-A	CONTRAST SCREEN ASSY KP-65WV700 ONLY	20	4-088-573-01	SPRING
3	4-088-627-11	PLATE, DIFFUSION (WL) KP-65WV600 ONLY	21	4-047-464-01	CATCHER, PUSH
3	4-088-594-11	PLATE, DIFFUSION (WL) KP-65WV700 ONLY	22	* 4-088-575-01	BOARD, REAR
4	4-088-626-11	PLATE, DIFFUSION (WF) KP-65WV600 ONLY	23	* 4-088-541-01	HANDLE
4	4-088-596-11	PLATE, DIFFUSION (WF) KP-65WV700 ONLY	24	4-088-620-01	SKIRT, FRONT KP-65WV600 ONLY
5	* 4-089-179-01	HOLDER, SCREEN SHORT	24	4-088-574-01	SKIRT, FRONT KP-65WV700 ONLY
6	* A-1400-759-A	SR MOUNT	25	4-088-460-01	CUSHION, SCREEN
7	4-088-460-11	CUSHION, SCREEN	26	* A-1300-323-A	HM COMPLETE PC BOARD
8	* 4-088-461-01	HOLDER, SCREEN	27	4-088-622-01	BUTTON KP-65WV600 ONLY
9	4-088-579-01	HOLDER, MIRROR SLIDE	27	4-088-585-01	BUTTON KP-65WV700 ONLY
10	* 4-088-577-01	MIRROR	28	X-4040-321-1	GRILLE ASSY, SPEAKER KP-65WV600 ONLY
11	* 4-088-580-01	HOLDER, MIRROR BASE	28	X-4040-325-1	GRILLE ASSY, SPEAKER KP-65WV700 ONLY
12	4-075-020-01	FOOT, PLASTIC	29	4-088-588-01	GUIDE, LED
13	4-081-063-01	SCREW, DOME WASHER HEX TAP 4 X 20	30	4-088-621-01	PANEL, CONTROL KP-65WV600 ONLY
14	4-088-572-01	LABEL, INPUT TERMINAL	30	4-088-584-01	PANEL, CONTROL KP-65WV700 ONLY
15	4-088-569-01	BRACKET, INPUT TERMINAL	31	4-088-586-01	GUIDE, LED
16	4-088-571-01	PLATE, INPUT TERMINAL	32	* A-1400-748-A	HA MOUNT

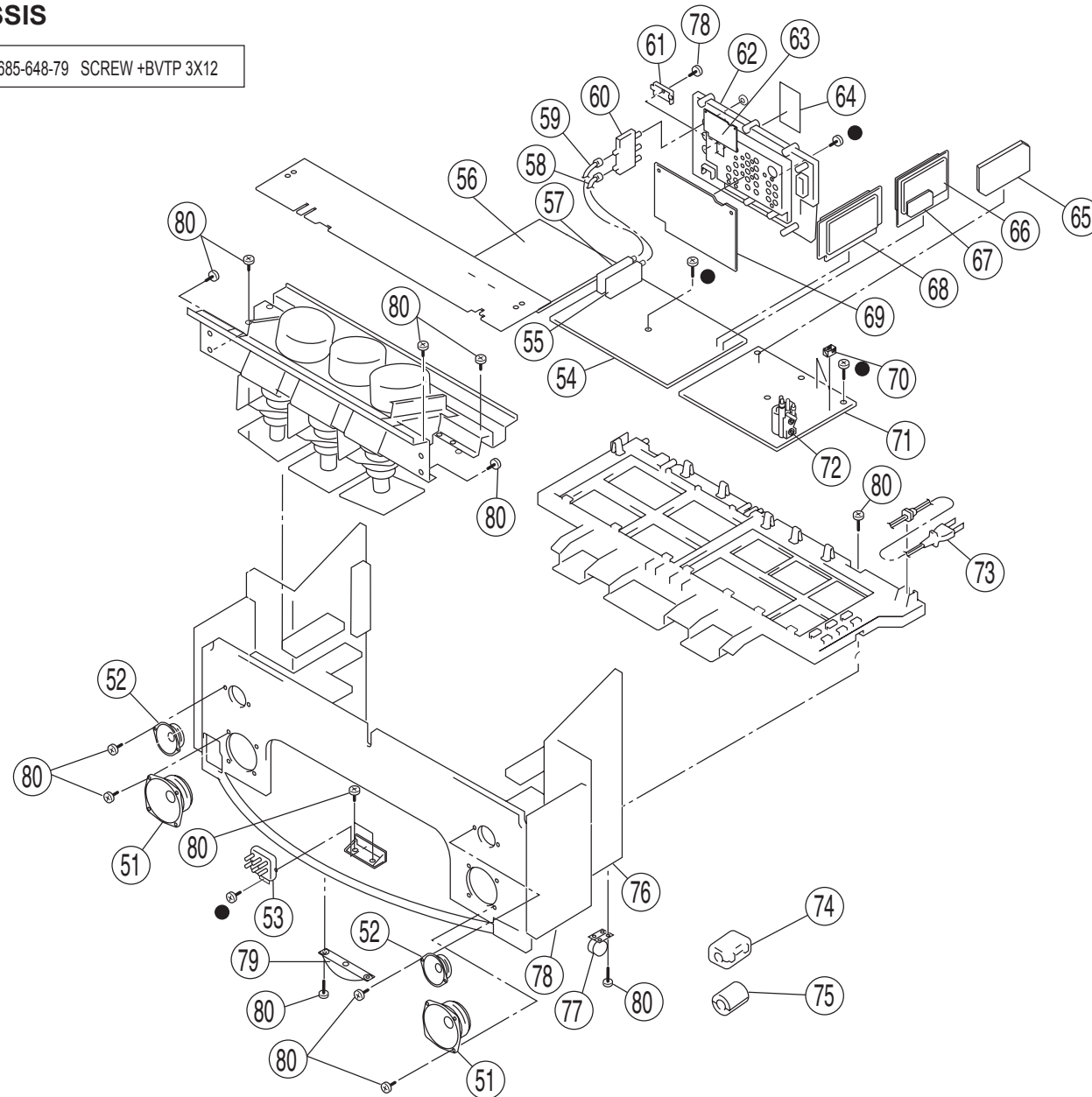


NOTE: The components identified by shading and ⚠ mark are critical for safety. Replace only with part number specified.

NOTE: Les composants identifiés par un trame et une marque ⚠ sont critiques pour la sécurité. Ne les remplacer que par une pièce portant le numéro spécifié.

### 6-3. CHASSIS

● 7-685-648-79 SCREW +BVTP 3X12



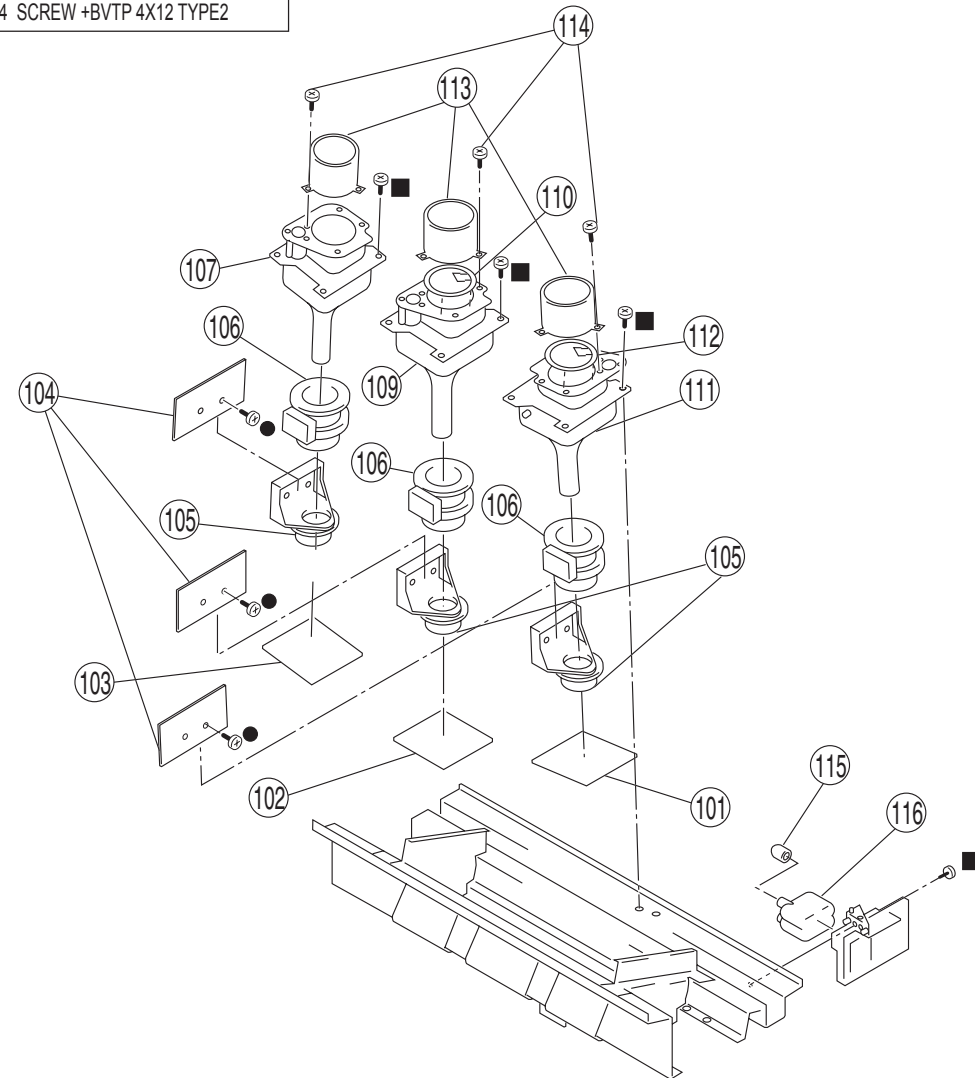
REF.NO.	PART NO.	DESCRIPTION	REF.NO.	PART NO.	DESCRIPTION
51	1-825-191-11	LOUDSPEAKER (13 CM)	70	3-710-578-01	COVER, VOLUME, 6 MOLD
52	1-825-200-11	LOUDSPEAKER (6.6 CM)	71	* A-1300-560-A	D COMPLETE The high-voltage leads associated with the FBT on this board are not included and must be ordered separately.
⚠ 53	1-223-925-81	RESISTOR ASSY (HIGH-VOLTAGE)	⚠ 72	1-453-285-51	FBT ASSY, NX-4006//X4P4
54	* A-1300-406-A	A COMPLETE	⚠ 73	1-779-095-51	LEAD ASSY, HIGH-VOLTAGE
55	8-598-593-50	TUNER, FSS BTF-WA421	⚠ 73	1-900-260-40	CONNECTOR ASSY, MV
56	* A-1300-410-A	G COMPLETE	⚠ 73	1-769-837-11	CORD, POWER(WITH NOISE FILTER)
57	8-598-594-30	TUNER, FSS BTF-FA421	74	1-500-082-11	CLAMP, FERRITE
58	* 1-555-400-00	CABLE, PIN	75	1-469-241-11	CORE, FERRITE
59	* 1-557-056-31	CABLE, P-P	76	X-4040-459-1	CABINET ASSY KP-65WV600 ONLY
⚠ 60	1-771-787-13	SWITCH, RF ANTENNA	76	X-4040-320-1	CABINET ASSY KP-65WV700 ONLY
61	4-069-675-01	CAP, TERMINAL BOARD	77	3-184-556-01	CASTER
62	4-088-590-01	BOARD, TERMINAL	78	4-030-850-01	SOCKET, CASTER
63	* A-1300-324-A	UD COMPLETE PC BOARD	79	4-075-020-01	FOOT, PLASTIC
64	4-088-591-01	LABEL, TERMINAL	80	4-081-063-01	SCREW, DOME WASHER HEX TAP 4X20 KP-57WV600/57WV700 ONLY
65	* A-1300-411-A	AD COMPLETE			
66	* A-1300-407-A	B COMPLETE			
67	* A-1300-408-A	MS1 COMPLETE			
68	* A-1300-646-A	M COMPLETE PC BOARD			
69	* A-1300-321-A	U COMPLETE PC BOARD			

NOTE: The components identified by shading and ⚠ mark are critical for safety. Replace only with part number specified.

NOTE: Les composants identifiés par un trame et une marque ⚠ sont critiques pour la sécurité. Ne les remplacer que par une pièce portant le numéro spécifié.

### 6-4. PICTURE TUBE

- 7-685-648-79 SCREW +BVTP 3X12 TYPE2 IT-3
- 7-685-661-14 SCREW +BVTP 4X12 TYPE2



REF.NO.	PART NO.	DESCRIPTION	REF.NO.	PART NO.	DESCRIPTION
101	A-1401-420-A	CB MOUNT (VAR) KP-57WV600/57WV700 ONLY	⚠ 109	8-733-652-15	CR 07MVC21(G)-L(VM) KP-57WV600/65WV600 ONLY
101	A-1401-387-A	CB MOUNT (VAR) KP-65WV600/65WV700 ONLY	⚠ 109	8-733-667-15	CR 07MVC22(G)-L KP-57WV700/65WV700 ONLY
102	A-1401-419-A	CG MOUNT (VAR) KP-57WV600/57WV700 ONLY	110	4-088-543-01	SHADE (G) KP-57WV700/65WV700 ONLY
102	A-1401-386-A	CG MOUNT (VAR) KP-65WV600/65WV700 ONLY	⚠ 111	8-733-648-15	CR 07MVC41(R)-L(VM) KP-57WV600 ONLY
103	* A-1401-385-A	CR MOUNT (VAR)	⚠ 111	8-733-669-15	CR 07MVC42(R)-L KP-57WV700 ONLY
104	* A-1401-589-A	VM MOUNT (VAR)	⚠ 111	8-733-666-15	CR 07MVC61(R)-L KP-65WV600 ONLY
⚠ 105	1-452-790-31	NECK ASSY	⚠ 111	8-733-664-15	CR 07MVC62(R)-L KP-65WV700 ONLY
⚠ 106	1-451-537-22	DEFLECTION YOKE	112	4-088-542-01	SHADE (R) KP-57WV700/65WV700 ONLY
⚠ 107	8-733-647-15	CR 07MVC41(B)-L(VM) KP-57WV600 ONLY	113	4-083-750-01	LENS (DELTA 260) KP-57WV600 ONLY
⚠ 107	8-733-668-15	CR 07MVC42(B)-L KP-57WV700 ONLY	113	4-087-841-01	LENS (DELTA 265) KP-57WV700/65WV700 ONLY
⚠ 107	8-733-665-15	CR 07MVC61(B)-L KP-65WV600 ONLY	113	4-087-842-01	LENS (DELTA 270) KP-65WV600 ONLY
⚠ 107	8-733-663-15	CR 07MVC62(B)-L KP-65WV700 ONLY	114	4-052-894-01	SCREW (4X20), HEAD TAPPING
			115	4-373-137-01	CAP (Z), RUBBER
			⚠ 116	8-598-955-31	BLOCK ASSY, HV HVB-1031

## SECTION 7: ELECTRICAL PARTS LIST

**NOTE:** The components identified by shading and  $\triangle$  mark are critical for safety. Replace only with part number specified.

**NOTE:** Les composants identifiés par un trame et une marque  $\triangle$  sont critiques pour la sécurité. Ne les remplacer que par une pièce portant le numéro spécifié.

The components in this manual identified by the following symbol:  $\boxtimes$  indicate parts that have been carefully factory-selected to satisfy regulations regarding X-ray radiation for each set.

Should replacement be required for one of these components, replace only with the value originally used.

\* Items marked with an asterisk are not stocked since they are seldom required for routine service. Expect some delay when ordering these components.

### RESISTORS

- All resistors are in ohms
- F : nonflammable
- All variable and adjustable resistors have characteristic curve B, unless otherwise noted.



When ordering parts by reference number, please include the board name.

REF. NO.	PART NO.	DESCRIPTION	VALUES	REF. NO.	PART NO.	DESCRIPTION	VALUES
<div style="border: 1px solid black; padding: 5px; width: fit-content;"> </div> <p>* <b>A-1401-589-A VM BOARD, MOUNTED (VAR)</b></p> <p>4-382-854-11 SCREW (M3X10), P, SW (+)</p> <p><b>CAPACITOR</b></p> <p>C9001 1-126-933-11 ELECT 100<math>\mu</math>F 20% 16V</p> <p>C9002 1-164-156-11 CERAMIC CHIP 0.1<math>\mu</math>F 25V</p> <p>C9003 1-162-964-11 CERAMIC CHIP 0.001<math>\mu</math>F 10% 50V</p> <p>C9004 1-107-645-11 ELECT 22<math>\mu</math>F 20% 160V</p> <p>C9006 1-161-830-00 CERAMIC 0.0047<math>\mu</math>F 500V</p> <p>C9007 1-164-156-11 CERAMIC CHIP 0.1<math>\mu</math>F 25V</p> <p>C9008 1-126-964-11 ELECT 10<math>\mu</math>F 20% 50V</p> <p>C9009 1-107-636-11 ELECT 10<math>\mu</math>F 20% 160V</p> <p>C9010 1-137-528-11 MYLAR 0.1<math>\mu</math>F 10% 250V</p> <p>C9011 1-107-826-11 CERAMIC CHIP 0.1<math>\mu</math>F 10% 16V</p> <p>C9012 1-137-528-11 MYLAR 0.1<math>\mu</math>F 10% 250V</p> <p>C9013 1-164-156-11 CERAMIC CHIP 0.1<math>\mu</math>F 25V</p> <p>C9014 1-117-450-11 MYLAR 0.47<math>\mu</math>F 10% 250V</p> <p><b>CONNECTOR</b></p> <p>* CN9001 1-564-508-11 PLUG,CONNECTOR 5P</p> <p>* CN9002 1-564-506-11 PLUG,CONNECTOR 3P</p> <p>* CN9003 1-770-723-11 CONNECTOR, BOARD TO BOARD 8P</p> <p><b>FERRITE BEAD</b></p> <p>FB9001 1-469-869-21 FERRITE 0<math>\mu</math>H</p> <p>FB9002 1-469-869-21 FERRITE 0<math>\mu</math>H</p> <p><b>TRANSISTOR</b></p> <p>Q9001 8-729-422-27 TRANSISTOR 2SD601A-QRS-TX</p> <p>Q9002 8-729-422-27 TRANSISTOR 2SD601A-QRS-TX</p> <p>Q9003 8-729-422-27 TRANSISTOR 2SD601A-QRS-TX</p> <p>Q9004 8-729-424-02 TRANSISTOR 2SB709A-QRS-TX</p> <p>Q9005 8-729-422-27 TRANSISTOR 2SD601A-QRS-TX</p>				Q9006	8-729-424-02	TRANSISTOR 2SB709A-QRS-TX	
				Q9007	8-729-422-27	TRANSISTOR 2SD601A-QRS-TX	
				Q9008	8-729-424-02	TRANSISTOR 2SB709A-QRS-TX	
				Q9009	8-729-422-27	TRANSISTOR 2SD601A-QRS-TX	
				Q9010	8-729-424-02	TRANSISTOR 2SB709A-QRS-TX	
				Q9011	8-729-045-05	TRANSISTOR 2SA2005	
				Q9012	8-729-045-04	TRANSISTOR 2SC5511	
				<b>RESISTOR</b>			
				R9001	1-249-381-11	CARBON	1 5% 1/4W
				R9002	1-216-820-11	RES-CHIP	820 5% 1/10W
				R9003	1-216-819-11	RES-CHIP	680 5% 1/10W
				R9004	1-216-834-11	RES-CHIP	12K 5% 1/10W
				R9005	1-216-839-11	RES-CHIP	33K 5% 1/10W
				R9006	1-216-811-11	RES-CHIP	150 5% 1/10W
R9008	1-216-815-11	RES-CHIP	330 5% 1/10W				
R9009	1-216-813-11	RES-CHIP	220 5% 1/10W				
R9010	1-216-813-11	RES-CHIP	220 5% 1/10W				
R9011	1-249-391-11	CARBON	6.8 5% 1/4W				
R9012	1-249-391-11	CARBON	6.8 5% 1/4W				
R9013	1-249-391-11	CARBON	6.8 5% 1/4W				
R9014	1-249-391-11	CARBON	6.8 5% 1/4W				
R9015	1-249-391-11	CARBON	6.8 5% 1/4W				
R9016	1-249-391-11	CARBON	6.8 5% 1/4W				
R9017	1-249-391-11	CARBON	6.8 5% 1/4W				
R9018	1-249-391-11	CARBON	6.8 5% 1/4W				
R9019	1-216-848-11	RES-CHIP	180K 5% 1/10W				
R9020	1-216-829-11	RES-CHIP	4.7K 5% 1/10W				
R9021	1-216-805-11	RES-CHIP	47 5% 1/10W				
R9022	1-216-805-11	RES-CHIP	47 5% 1/10W				
R9023	1-216-829-11	RES-CHIP	4.7K 5% 1/10W				
R9024	1-216-848-11	RES-CHIP	180K 5% 1/10W				
R9025	1-215-890-11	METAL OXIDE	470 5% 2W				
R9026	1-216-847-11	RES-CHIP	150K 5% 1/10W				
R9027	1-216-847-11	RES-CHIP	150K 5% 1/10W				



NOTE: The components identified by shading and mark are critical for safety. Replace only with part number specified.

NOTE: Les composants identifiés par un trame et une marque sont critiques pour la sécurité. Ne les remplacer que par une pièce portant le numéro spécifique.

REF. NO.	PART NO.	DESCRIPTION	VALUES	REF. NO.	PART NO.	DESCRIPTION	VALUES
<b>CR</b>				<b>NEON LAMP</b>			
*	A-1401-385-A	CR BOARD, MOUNTED (VAR)		NL9102	1-517-778-21	LAMP, NEON	
	4-382-854-11	SCREW (M3X10), P, SW (+)		NL9103	1-517-778-21	LAMP, NEON	
<b>CAPACITOR</b>				<b>TRANSISTOR</b>			
C9101	1-104-570-11	CERAMIC	0.001µF 10% 2KV	Q9101	8-729-120-28	TRANSISTOR 2SC2412K-T-146-QR	
C9102	1-162-919-11	CERAMIC CHIP	22pF 5% 50V	Q9102	8-729-028-28	TRANSISTOR 2SK2036(TE85L)	
C9103	1-164-156-11	CERAMIC CHIP	0.1µF 25V	Q9103	8-729-026-49	TRANSISTOR 2SA1037AK-T146-QR	
C9105	1-107-962-11	ELECT	22µF 20% 250V	Q9104	8-729-026-49	TRANSISTOR 2SA1037AK-T146-QR	
C9106	1-161-830-00	CERAMIC	0.0047µF 500V	Q9105	8-729-122-63	TRANSISTOR 2SA1226-T1E4	
C9107	1-101-003-00	CERAMIC	0.0047µF 50V	<b>RESISTOR</b>			
C9108	1-126-935-11	ELECT	470µF 20% 16V	R9101	1-260-133-11	CARBON	680K 5% 1/2W
C9110	1-164-156-11	CERAMIC CHIP	0.1µF 25V	R9102	1-249-425-11	CARBON	4.7K 5% 1/4W
C9111	1-164-156-11	CERAMIC CHIP	0.1µF 25V	R9103	1-216-809-11	RES-CHIP	100 5% 1/10W
C9112	1-126-933-11	ELECT	100µF 20% 16V	R9104	1-260-132-11	CARBON	560K 5% 1/2W
C9114	1-162-966-11	CERAMIC CHIP	0.0022µF 10% 50V	R9105	1-218-696-11	METAL CHIP	1.5K 0.50% 1/16W
C9115	1-101-003-00	CERAMIC	0.0047µF 50V	R9106	1-218-680-11	METAL CHIP	330 0.50% 1/16W
C9117	1-164-156-11	CERAMIC CHIP	0.1µF 25V	R9107	1-216-825-11	RES-CHIP	2.2K 5% 1/10W
<b>CONNECTOR</b>				R9108	1-218-716-11	METAL CHIP	10K 0.50% 1/16W
*	CN9101	1-564-511-11	PLUG,CONNECTOR 8P	R9109	1-218-690-11	METAL CHIP	820 0.50% 1/16W
*	CN9102	1-564-507-11	PLUG,CONNECTOR 4P	R9114	1-218-700-11	METAL CHIP	2.2K 0.50% 1/16W
*	CN9103	1-564-508-11	PLUG,CONNECTOR 5P	R9115	1-218-708-11	METAL CHIP	4.7K 0.50% 1/16W
	CN9104	1-695-915-11	TAB (CONTACT)	R9116	1-260-328-11	CARBON	1K 5% 1/2W
	CN9107	1-785-879-11	CONNECTOR, ONE TOUCH	R9120	1-215-926-00	METAL OXIDE	33K 5% 3W
	CN9110	1-695-915-11	TAB (CONTACT)	R9121	1-260-087-11	CARBON	100 5% 1/2W
<b>DIODE</b>				R9122	1-260-320-11	CARBON	220 5% 1/2W
D9101	8-719-901-83	DIODE 1SS83TD		R9126	1-218-748-11	METAL CHIP	220K 0.50% 1/16W
D9104	8-719-901-83	DIODE 1SS83TD		R9127	1-218-748-11	METAL CHIP	220K 0.50% 1/16W
D9109	8-719-404-50	DIODE MA111-TX		R9129	1-216-829-11	RES-CHIP	4.7K 5% 1/10W
<b>FERRITE BEAD</b>				R9131	1-216-823-11	RES-CHIP	1.5K 5% 1/10W
FB9101	1-410-397-21	FERRITE	1.1µH	R9132	1-216-833-11	RES-CHIP	10K 5% 1/10W
<b>IC</b>				R9133	1-216-809-11	RES-CHIP	100 5% 1/10W
IC9101	8-759-680-01	IC TDA6120Q/N2/S1		R9134	1-216-821-11	RES-CHIP	1K 5% 1/10W
<b>JACK</b>				R9135	1-260-087-11	CARBON	100 5% 1/2W
	J9101	1-251-182-41	SOCKET, CRT	R9136	1-218-700-11	METAL CHIP	2.2K 0.50% 1/16W
<b>COIL</b>				R9137	1-218-700-11	METAL CHIP	2.2K 0.50% 1/16W
L9101	1-414-856-11	INDUCTOR	10µH	<b>SPARK GAP</b>			
L9102	1-414-855-31	INDUCTOR	1µH	SG9101	1-517-729-31	GAP, SPARK	
L9103	1-414-856-11	INDUCTOR	10µH	SG9102	1-519-422-11	GAP, SPARK	



NOTE: The components identified by shading and  $\triangle$  mark are critical for safety. Replace only with part number specified.

NOTE: Les composants identifiés par un triangle et une marque  $\triangle$  sont critiques pour la sécurité. Ne les remplacer que par une pièce portant le numéro spécifique.



REF. NO.	PART NO.	DESCRIPTION	VALUES	REF. NO.	PART NO.	DESCRIPTION	VALUES
<b>CG</b>				<b>COIL</b>			
*	A-1401-386-A	CG BOARD, MOUNTED (VAR) (KV-65WV600/65WV700 ONLY)		L9201	1-414-856-11	INDUCTOR	10 $\mu$ H
*	A-1401-419-A	CG BOARD, MOUNTED (VAR) (KV-57WV600/57WV700 ONLY)		L9202	1-414-855-31	INDUCTOR	1 $\mu$ H
	4-382-854-11	SCREW (M3X10), P, SW (+)		L9203	1-414-856-11	INDUCTOR	10 $\mu$ H
<b>CAPACITOR</b>				<b>NEON LAMP</b>			
C9201	1-107-662-11	ELECT	22 $\mu$ F 20% 250V	NL9202	1-517-778-21	LAMP, NEON	
C9202	1-104-570-11	CERAMIC	0.001 $\mu$ F 10% 2KV	NL9203	1-517-778-21	LAMP, NEON	
C9203	1-164-156-11	CERAMIC CHIP	0.1 $\mu$ F 25V	<b>TRANSISTOR</b>			
C9204	1-126-935-11	ELECT	470 $\mu$ F 20% 16V	Q9201	8-729-120-28	TRANSISTOR 2SC2412K-T-146-QR	
C9205	1-164-378-11	CERAMIC CHIP	30pF 5% 50V	Q9202	8-729-028-28	TRANSISTOR 2SK2036(TE85L)	
C9207	1-164-156-11	CERAMIC CHIP	0.1 $\mu$ F 25V	Q9203	8-729-026-49	TRANSISTOR 2SA1037AK-T146-QR	
C9208	1-164-156-11	CERAMIC CHIP	0.1 $\mu$ F 25V	Q9204	8-729-122-63	TRANSISTOR 2SA1226-T1E4	
C9209	1-101-003-00	CERAMIC	0.0047 $\mu$ F 50V	<b>RESISTOR</b>			
C9211	1-126-933-11	ELECT	100 $\mu$ F 20% 16V	R9201	1-260-133-11	CARBON	680K 5% 1/2W
C9213	1-161-830-00	CERAMIC	0.0047 $\mu$ F 500V	R9202	1-260-132-11	CARBON	560K 5% 1/2W
C9214	1-162-966-11	CERAMIC CHIP	0.0022 $\mu$ F 10% 50V	R9203	1-249-425-11	CARBON	4.7K 5% 1/4W
C9216	1-101-003-00	CERAMIC	0.0047 $\mu$ F 50V	R9204	1-216-809-11	RES-CHIP	100 5% 1/10W
C9217	1-164-156-11	CERAMIC CHIP	0.1 $\mu$ F 25V	R9205	1-218-716-11	METAL CHIP	10K 0.50% 1/16W
<b>CONNECTOR</b>				R9206	1-218-677-11	METAL CHIP	240 0.50% 1/16W
*	CN9201	1-564-511-11	PLUG,CONNECTOR 8P		(KP-65WV600/65WV700 ONLY)		
*	CN9202	1-564-511-11	PLUG,CONNECTOR 8P	R9206	1-218-679-11	METAL CHIP	300 0.50% 1/16W
*	CN9203	1-564-507-11	PLUG,CONNECTOR 4P		(KP-57WV600/57WV700 ONLY)		
*	CN9204	1-564-507-11	PLUG,CONNECTOR 4P	R9207	1-218-694-11	METAL CHIP	1.2K 0.50% 1/16W
*	CN9205	1-564-506-11	PLUG,CONNECTOR 3P	R9208	1-216-825-11	RES-CHIP	2.2K 5% 1/10W
*	CN9206	1-564-509-11	PLUG,CONNECTOR 6P	R9209	1-218-690-11	METAL CHIP	820 0.50% 1/16W
	CN9208	1-695-915-11	TAB (CONTACT)	R9216	1-218-699-11	METAL CHIP	2K 0.50% 1/16W
	CN9209	1-785-879-11	CONNECTOR, ONE TOUCH	R9217	1-218-708-11	METAL CHIP	4.7K 0.50% 1/16W
	CN9210	1-695-915-11	TAB (CONTACT)	R9220	1-215-926-00	METAL OXIDE	33K 5% 3W
<b>DIODE</b>				R9221	1-260-328-11	CARBON	1K 5% 1/2W
D9201	8-719-901-83	DIODE 1SS83TD		R9222	1-260-087-11	CARBON	100 5% 1/2W
D9206	8-719-901-83	DIODE 1SS83TD		R9223	1-260-320-11	CARBON	220 5% 1/2W
D9209	8-719-404-50	DIODE MA111-TX		R9225	1-218-744-11	METAL CHIP	150K 0.50% 1/16W
<b>FERRITE BEAD</b>				R9226	1-218-744-11	METAL CHIP	150K 0.50% 1/16W
FB9201	1-410-397-21	FERRITE	1.1 $\mu$ H	R9228	1-216-829-11	RES-CHIP	4.7K 5% 1/10W
<b>IC</b>				R9230	1-216-823-11	RES-CHIP	1.5K 5% 1/10W
IC9201	8-759-680-01	IC TDA6120Q/N2/S1		R9231	1-260-087-11	CARBON	100 5% 1/2W
<b>JACK</b>				R9232	1-218-700-11	METAL CHIP	2.2K 0.50% 1/16W
$\triangle$ J9201	1-251-182-41	SOCKET, CRT		R9233	1-218-700-11	METAL CHIP	2.2K 0.50% 1/16W
				<b>SPARK GAP</b>			
				SG9201	1-517-729-31	GAP, SPARK	
				SG9202	1-519-422-11	GAP, SPARK	

NOTE: The components identified by shading and  $\triangle$  mark are critical for safety. Replace only with part number specified.

NOTE: Les composants identifiés par un trame et une marque  $\triangle$  sont critiques pour la sécurité. Ne les remplacer que par une pièce portant le numéro spécifique.

**CB**

REF. NO.	PART NO.	DESCRIPTION	VALUES	REF. NO.	PART NO.	DESCRIPTION	VALUES
<b>CB</b>				<b>IC</b>			
*	A-1401-387-A	CB BOARD, MOUNTED (VAR) (KV-65WV600/65WV700 ONLY)		IC9301	8-759-680-01	IC TDA6120Q/N2/S1	
*	A-1401-420-A	CB BOARD, MOUNTED (VAR) (KV-57WV600/57WV700 ONLY)		<b>JACK</b>			
	4-382-854-11	SCREW (M3X10), P, SW (+)		$\triangle$ J9301	1-251-182-41	SOCKET, CRT	
<b>CAPACITOR</b>				<b>COIL</b>			
C9301	1-104-570-11	CERAMIC	0.001 $\mu$ F 10% 2KV	L9301	1-414-856-11	INDUCTOR	10 $\mu$ H
C9302	1-101-003-00	CERAMIC	0.0047 $\mu$ F	L9302	1-414-855-31	INDUCTOR	1 $\mu$ H
C9303	1-107-662-11	ELECT	22 $\mu$ F 20% 250V	L9303	1-414-856-11	INDUCTOR	10 $\mu$ H
C9304	1-162-920-11	CERAMIC CHIP	27pF 5% 50V	<b>NEON LAMP</b>			
C9305	1-162-916-11	CERAMIC CHIP	12pF 5% 50V	NL9302	1-517-778-21	LAMP, NEON	
C9306	1-164-156-11	CERAMIC CHIP	0.1 $\mu$ F 25V	NL9303	1-517-778-21	LAMP, NEON	
C9307	1-126-935-11	ELECT	470 $\mu$ F 20% 16V	<b>TRANSISTOR</b>			
C9309	1-164-156-11	CERAMIC CHIP	0.1 $\mu$ F 25V	Q9301	8-729-424-02	TRANSISTOR 2SB709A-QRS-TX	
C9310	1-164-156-11	CERAMIC CHIP	0.1 $\mu$ F 25V	Q9302	8-729-028-28	TRANSISTOR 2SK2036(TE85L)	
C9311	1-126-933-11	ELECT	100 $\mu$ F 20% 16V	Q9303	8-729-120-28	TRANSISTOR 2SC2412K-T-146-QR	
C9312	1-161-830-00	CERAMIC	0.0047 $\mu$ F 500V	Q9304	8-729-120-28	TRANSISTOR 2SC2412K-T-146-QR	
C9313	1-164-156-11	CERAMIC CHIP	0.1 $\mu$ F 25V	Q9305	8-729-026-49	TRANSISTOR 2SA1037AK-T146-QR	
C9314	1-162-970-11	CERAMIC CHIP	0.01 $\mu$ F 10% 25V	Q9306	8-729-026-49	TRANSISTOR 2SA1037AK-T146-QR	
C9315	1-162-966-11	CERAMIC CHIP	0.0022 $\mu$ F 10% 50V	Q9307	8-729-026-49	TRANSISTOR 2SA1037AK-T146-QR	
C9316	1-101-003-00	CERAMIC	0.0047 $\mu$ F 50V	Q9308	8-729-120-28	TRANSISTOR 2SC2412K-T-146-QR	
C9318	1-164-156-11	CERAMIC CHIP	0.1 $\mu$ F 25V	Q9309	8-729-122-63	TRANSISTOR 2SA1226-T1E4	
C9320	1-125-891-11	CERAMIC CHIP	0.47 $\mu$ F 10% 10V	<b>RESISTOR</b>			
<b>CONNECTOR</b>				R9301	1-216-809-11	RES-CHIP	100 5% 1/10W
*	CN9301	1-564-510-11	PLUG,CONNECTOR 7P	R9302	1-218-680-11	METAL CHIP	330 0.50% 1/16W
*	CN9302	1-564-511-11	PLUG,CONNECTOR 8P	R9303	1-260-133-11	CARBON	680K 5% 1/2W
*	CN9303	1-564-507-11	PLUG,CONNECTOR 4P	R9304	1-260-132-11	CARBON	560K 5% 1/2W
	CN9304	1-695-915-11	TAB (CONTACT)	R9306	1-218-682-11	METAL CHIP	390 0.50% 1/16W
	CN9308	1-785-879-11	CONNECTOR, ONE TOUCH				(KP-65WV600/65WV700 ONLY)
*	CN9309	1-564-507-11	PLUG,CONNECTOR 4P	R9306	1-218-684-11	METAL CHIP	470 0.50% 1/16W
	CN9310	1-695-915-11	TAB (CONTACT)				(KP-57WV600/57WV700 ONLY)
<b>DIODE</b>				R9307	1-218-696-11	METAL CHIP	1.5K 0.50% 1/16W
D9301	8-719-404-50	DIODE MA111-TX		R9308	1-218-684-11	METAL CHIP	470 0.50% 1/16W
D9302	8-719-901-83	DIODE 1SS83TD		R9309	1-218-698-11	METAL CHIP	1.8K 0.50% 1/16W
D9303	8-719-404-50	DIODE MA111-TX		R9313	1-218-724-11	METAL CHIP	22K 0.50% 1/16W
D9309	8-719-901-83	DIODE 1SS83TD		R9314	1-218-704-11	METAL CHIP	3.3K 0.50% 1/16W
D9310	8-719-404-50	DIODE MA111-TX		R9315	1-218-706-11	METAL CHIP	3.9K 0.50% 1/16W
<b>FERRITE BEAD</b>				R9316	1-218-698-11	METAL CHIP	1.8K 0.50% 1/16W
FB9301	1-410-397-21	FERRITE	1.1 $\mu$ H	R9317	1-218-708-11	METAL CHIP	4.7K 0.50% 1/16W

NOTE: The components identified by shading and  $\Delta$  mark are critical for safety. Replace only with part number specified.

NOTE: Les composants identifiés par un trame et une marque  $\Delta$  sont critiques pour la sécurité. Ne les remplacer que par une pièce portant le numéro spécifique.



REF. NO.	PART NO.	DESCRIPTION	VALUES		REF. NO.	PART NO.	DESCRIPTION	VALUES		
R9318	1-216-825-11	RES-CHIP	2.2K 5% 1/10W		C1506	1-109-982-11	CERAMIC CHIP	1 $\mu$ F 10% 10V		
R9319	1-249-425-11	CARBON	4.7K 5% 1/4W		C1507	1-109-982-11	CERAMIC CHIP	1 $\mu$ F 10% 10V		
R9320	1-215-926-00	METAL OXIDE	33K 5% 3W		C1508	1-126-960-11	ELECT	1 $\mu$ F 20% 50V		
R9323	1-260-328-11	CARBON	1K 5% 1/2W		C1509	1-126-960-11	ELECT	1 $\mu$ F 20% 50V		
R9324	1-260-087-11	CARBON	100 5% 1/2W		C1510	1-126-960-11	ELECT	1 $\mu$ F 20% 50V		
R9325	1-260-320-11	CARBON	220 5% 1/2W		C1511	1-126-960-11	ELECT	1 $\mu$ F 20% 50V		
R9327	1-218-749-11	METAL CHIP	240K 0.50% 1/16W		C1512	1-126-960-11	ELECT	1 $\mu$ F 20% 50V		
R9328	1-218-749-11	METAL CHIP	240K 0.50% 1/16W		C1513	1-126-960-11	ELECT	1 $\mu$ F 20% 50V		
R9330	1-216-829-11	RES-CHIP	4.7K 5% 1/10W		C1519	1-162-913-11	CERAMIC CHIP	8pF 0.50pF 50V		
R9332	1-216-823-11	RES-CHIP	1.5K 5% 1/10W		C1520	1-162-913-11	CERAMIC CHIP	8pF 0.50pF 50V		
R9333	1-218-699-11	METAL CHIP	2K 0.50% 1/16W		C1521	1-125-837-91	CERAMIC CHIP	1 $\mu$ F 10% 6.3V		
R9334	1-216-822-11	RES-CHIP	1.2K 5% 1/10W		C1522	1-125-837-91	CERAMIC CHIP	1 $\mu$ F 10% 6.3V		
$\Delta$ R9335	1-249-393-11	CARBON	10 5% 1/4W		C1523	1-107-826-11	CERAMIC CHIP	0.1 $\mu$ F 10% 16V		
R9336	1-216-833-11	RES-CHIP	10K 5% 1/10W		C1524	1-109-982-11	CERAMIC CHIP	1 $\mu$ F 10% 10V		
R9337	1-216-833-11	RES-CHIP	10K 5% 1/10W		C1525	1-164-156-11	CERAMIC CHIP	0.1 $\mu$ F 25V		
R9338	1-216-821-11	RES-CHIP	1K 5% 1/10W		C1526	1-126-964-11	ELECT	10 $\mu$ F 20% 50V		
R9339	1-260-087-11	CARBON	100 5% 1/2W		C1527	1-107-826-11	CERAMIC CHIP	0.1 $\mu$ F 10% 16V		
R9340	1-216-833-11	RES-CHIP	10K 5% 1/10W		C1528	1-126-933-11	ELECT	100 $\mu$ F 20% 16V		
R9341	1-216-821-11	RES-CHIP	1K 5% 1/10W		C1529	1-109-982-11	CERAMIC CHIP	1 $\mu$ F 10% 10V		
R9342	1-216-834-11	RES-CHIP	12K 5% 1/10W		C1530	1-126-964-11	ELECT	10 $\mu$ F 20% 50V		
R9343	1-216-833-11	RES-CHIP	10K 5% 1/10W		C1531	1-126-941-11	ELECT	470 $\mu$ F 20% 25V		
R9344	1-216-845-11	RES-CHIP	100K 5% 1/10W		C1532	1-107-826-11	CERAMIC CHIP	0.1 $\mu$ F 10% 16V		
R9345	1-216-829-11	RES-CHIP	4.7K 5% 1/10W		C1533	1-125-837-91	CERAMIC CHIP	1 $\mu$ F 10% 6.3V		
R9346	1-216-833-11	RES-CHIP	10K 5% 1/10W		C1534	1-126-933-11	ELECT	100 $\mu$ F 20% 16V		
R9347	1-216-809-11	RES-CHIP	100 5% 1/10W		C1535	1-126-933-11	ELECT	100 $\mu$ F 20% 16V		
R9348	1-216-821-11	RES-CHIP	1K 5% 1/10W		C1536	1-107-826-11	CERAMIC CHIP	0.1 $\mu$ F 10% 16V		
R9349	1-216-805-11	RES-CHIP	47 5% 1/10W		C1537	1-107-826-11	CERAMIC CHIP	0.1 $\mu$ F 10% 16V		
R9350	1-218-700-11	METAL CHIP	2.2K 0.50% 1/16W		C1538	1-107-826-11	CERAMIC CHIP	0.1 $\mu$ F 10% 16V		
R9351	1-218-700-11	METAL CHIP	2.2K 0.50% 1/16W		C1539	1-164-156-11	CERAMIC CHIP	0.1 $\mu$ F 25V		
					C1540	1-126-933-11	ELECT	100 $\mu$ F 20% 16V		
<b>SPARK GAP</b>										
SG9301	1-517-729-31	GAP, SPARK			C1541	1-125-837-91	CERAMIC CHIP	1 $\mu$ F 10% 6.3V		
SG9302	1-519-422-11	GAP, SPARK			C1542	1-126-960-11	ELECT	1 $\mu$ F 20% 50V		
					C1544	1-126-960-11	ELECT	1 $\mu$ F 20% 50V		
					C1545	1-126-933-11	ELECT	100 $\mu$ F 20% 16V		
					C1546	1-164-156-11	CERAMIC CHIP	0.1 $\mu$ F 25V		
					C1548	1-107-826-11	CERAMIC CHIP	0.1 $\mu$ F 10% 16V		
					C1550	1-126-960-11	ELECT	1 $\mu$ F 20% 50V		
					C1551	1-126-960-11	ELECT	1 $\mu$ F 20% 50V		
					C1552	1-126-960-11	ELECT	1 $\mu$ F 20% 50V		
					C1553	1-126-960-11	ELECT	1 $\mu$ F 20% 50V		
					C1554	1-126-960-11	ELECT	1 $\mu$ F 20% 50V		
					C1555	1-126-960-11	ELECT	1 $\mu$ F 20% 50V		
					C1556	1-126-933-11	ELECT	100 $\mu$ F 20% 16V		
					C1557	1-164-156-11	CERAMIC CHIP	0.1 $\mu$ F 25V		
<b>U BOARD, COMPLETE</b>										
<b>CAPACITOR</b>										
C1501	1-109-982-11	CERAMIC CHIP	1 $\mu$ F 10% 10V							
C1502	1-107-826-11	CERAMIC CHIP	0.1 $\mu$ F 10% 16V							
C1503	1-109-982-11	CERAMIC CHIP	1 $\mu$ F 10% 10V							
C1504	1-109-982-11	CERAMIC CHIP	1 $\mu$ F 10% 10V							
C1505	1-107-826-11	CERAMIC CHIP	0.1 $\mu$ F 10% 16V							



\*

**A-1300-321-A U BOARD, COMPLETE**

**CAPACITOR**




REF. NO.	PART NO.	DESCRIPTION	VALUES	REF. NO.	PART NO.	DESCRIPTION	VALUES
C1558	1-126-933-11	ELECT	100µF 20% 16V	D1531	8-719-069-61	DIODE UDZSTE-1710B	
C1559	1-126-933-11	ELECT	100µF 20% 16V	D1532	8-719-069-61	DIODE UDZSTE-1710B	
C1560	1-126-933-11	ELECT	100µF 20% 16V	D1533	8-719-977-28	DIODE UDZSTE-1710B	
C1561	1-126-933-11	ELECT	100µF 20% 16V	D1534	8-719-977-28	DIODE UDZSTE-1710B	
C1562	1-126-933-11	ELECT	100µF 20% 16V	D1535	8-719-977-28	DIODE UDZSTE-1710B	
C1563	1-126-933-11	ELECT	100µF 20% 16V				
<b>CONNECTOR</b>				<b>IC</b>			
CN1501	1-764-334-11	PLUG,CONNECTOR	11P	IC1502	8-752-080-04	IC CXA2069Q	
CN1502	1-793-173-11	PIN, PCCONNECTOR(PC BOARD)	50P	IC1505	8-759-548-56	IC M52055FP	
CN1503	1-793-419-11	CONNECTOR, BOARD TO BOARD	4P				
<b>DIODE</b>				<b>JACK</b>			
D1501	8-719-977-28	DIODE UDZSTE-1710B		J1501	1-573-967-12	BLOCK, (S) TERMINAL	
D1502	8-719-977-28	DIODE UDZSTE-1710B		J1502	1-750-516-21	JACK BLOCK, PIN	2P
D1503	8-719-977-28	DIODE UDZSTE-1710B		J1503	1-750-517-21	JACK BLOCK, PIN	3P
D1504	8-719-977-28	DIODE UDZSTE-1710B		J1504	1-750-517-21	JACK BLOCK, PIN	3P
D1505	8-719-977-28	DIODE UDZSTE-1710B		J1505	1-764-143-11	JACK	
D1506	8-719-977-28	DIODE UDZSTE-1710B		J1506	1-764-143-11	JACK	
D1507	8-719-977-28	DIODE UDZSTE-1710B		J1507	1-750-516-21	JACKBLOCK, PIN	2P
D1508	8-719-977-28	DIODE UDZSTE-1710B		J1508	1-774-358-11	JACK BLOCK, PIN	
D1509	8-719-977-28	DIODE UDZSTE-1710B		J1509	1-774-358-11	JACK BLOCK, PIN	
D1510	8-719-977-28	DIODE UDZSTE-1710B					
D1511	8-719-977-28	DIODE UDZSTE-1710B		<b>COIL</b>			
D1512	8-719-977-28	DIODE UDZSTE-1710B		L1502	1-469-555-21	INDUCTOR	10µH
D1513	8-719-977-28	DIODE UDZSTE-1710B		L1503	1-469-555-21	INDUCTOR	10µH
D1514	8-719-977-28	DIODE UDZSTE-1710B		L1504	1-469-555-21	INDUCTOR	10µH
D1515	8-719-977-28	DIODE UDZSTE-1710B		L1505	1-469-555-21	INDUCTOR	10µH
D1516	8-719-977-28	DIODE UDZSTE-1710B		L1506	1-469-555-21	INDUCTOR	10µH
D1517	8-719-977-28	DIODE UDZSTE-1710B					
D1518	8-719-914-43	DIODE DAN202K-T-146		<b>TRANSISTOR</b>			
D1519	8-719-977-28	DIODE UDZSTE-1710B		Q1501	8-729-424-02	TRANSISTOR 2SB709A-QRS-TX	
D1520	8-719-977-28	DIODE UDZSTE-1710B		Q1502	8-729-424-02	TRANSISTOR 2SB709A-QRS-TX	
D1521	8-719-977-28	DIODE UDZSTE-1710B		Q1503	8-729-424-02	TRANSISTOR 2SB709A-QRS-TX	
D1522	8-719-977-28	DIODE UDZSTE-1710B		Q1504	8-729-424-02	TRANSISTOR 2SB709A-QRS-TX	
D1523	8-719-977-28	DIODE UDZSTE-1710B		Q1505	8-729-422-27	TRANSISTOR 2SD601A-QRS-TX	
D1524	8-719-977-28	DIODE UDZSTE-1710B		Q1506	8-729-422-27	TRANSISTOR 2SD601A-QRS-TX	
D1525	8-719-977-28	DIODE UDZSTE-1710B		Q1507	8-729-424-02	TRANSISTOR 2SB709A-QRS-TX	
D1526	8-719-977-28	DIODE UDZSTE-1710B		Q1508	8-729-422-27	TRANSISTOR 2SD601A-QRS-TX	
D1527	8-719-069-61	DIODE UDZSTE-1710B		Q1509	8-729-422-27	TRANSISTOR 2SD601A-QRS-TX	
D1528	8-719-069-61	DIODE UDZSTE-1710B		Q1510	8-729-422-27	TRANSISTOR 2SD601A-QRS-TX	
D1529	8-719-069-61	DIODE UDZSTE-1710B		Q1511	8-729-424-02	TRANSISTOR 2SB709A-QRS-TX	
D1530	8-719-069-61	DIODE UDZSTE-1710B		Q1512	8-729-424-02	TRANSISTOR 2SB709A-QRS-TX	
				Q1513	8-729-422-27	TRANSISTOR 2SD601A-QRS-TX	
				Q1515	8-729-424-02	TRANSISTOR 2SB709A-QRS-TX	
				Q1516	8-729-422-27	TRANSISTOR 2SD601A-QRS-TX	






REF. NO.	PART NO.	DESCRIPTION	VALUES			REF. NO.	PART NO.	DESCRIPTION	VALUES		
Q1518	8-729-422-27	TRANSISTOR 2SD601A-QRS-TX				R1543	1-216-809-11	RES-CHIP	100	5%	1/10W
Q1519	8-729-424-02	TRANSISTOR 2SB709A-QRS-TX				R1544	1-216-830-11	RES-CHIP	5.6K	5%	1/10W
Q1520	8-729-422-27	TRANSISTOR 2SD601A-QRS-TX				R1545	1-216-830-11	RES-CHIP	5.6K	5%	1/10W
Q1521	8-729-422-27	TRANSISTOR 2SD601A-QRS-TX				R1546	1-216-809-11	RES-CHIP	100	5%	1/10W
Q1522	8-729-424-02	TRANSISTOR 2SB709A-QRS-TX				R1547	1-216-830-11	RES-CHIP	5.6K	5%	1/10W
Q1523	8-729-422-27	TRANSISTOR 2SD601A-QRS-TX				R1548	1-216-841-11	RES-CHIP	47K	5%	1/10W
Q1524	8-729-422-27	TRANSISTOR 2SD601A-QRS-TX				R1549	1-216-809-11	RES-CHIP	100	5%	1/10W
						R1550	1-216-809-11	RES-CHIP	100	5%	1/10W
						R1551	1-216-853-11	RES-CHIP	470K	5%	1/10W
						R1552	1-216-821-11	RES-CHIP	1K	5%	1/10W
						R1554	1-216-809-11	RES-CHIP	100	5%	1/10W
						R1555	1-216-853-11	RES-CHIP	470K	5%	1/10W
						R1556	1-216-853-11	RES-CHIP	470K	5%	1/10W
						R1557	1-216-830-11	RES-CHIP	5.6K	5%	1/10W
						R1558	1-216-821-11	RES-CHIP	1K	5%	1/10W
						R1559	1-218-665-11	METAL CHIP	75	0.50%	1/16W
						R1560	1-216-845-11	RES-CHIP	100K	5%	1/10W
						R1562	1-216-809-11	RES-CHIP	100	5%	1/10W
						R1563	1-216-830-11	RES-CHIP	5.6K	5%	1/10W
						R1565	1-216-809-11	RES-CHIP	100	5%	1/10W
						R1566	1-216-809-11	RES-CHIP	100	5%	1/10W
						R1567	1-216-833-11	RES-CHIP	10K	5%	1/10W
						R1568	1-216-821-11	RES-CHIP	1K	5%	1/10W
						R1569	1-216-809-11	RES-CHIP	100	5%	1/10W
						R1570	1-216-809-11	RES-CHIP	100	5%	1/10W
						R1571	1-216-809-11	RES-CHIP	100	5%	1/10W
						R1572	1-216-809-11	RES-CHIP	100	5%	1/10W
						R1573	1-216-830-11	RES-CHIP	5.6K	5%	1/10W
						R1574	1-216-809-11	RES-CHIP	100	5%	1/10W
						R1575	1-216-809-11	RES-CHIP	100	5%	1/10W
						R1576	1-216-833-11	RES-CHIP	10K	5%	1/10W
						R1577	1-216-830-11	RES-CHIP	5.6K	5%	1/10W
						R1578	1-216-857-11	RES-CHIP	1M	5%	1/10W
						R1579	1-216-842-11	RES-CHIP	56K	5%	1/10W
						R1580	1-216-809-11	RES-CHIP	100	5%	1/10W
						R1581	1-216-821-11	RES-CHIP	1K	5%	1/10W
						R1582	1-216-829-11	RES-CHIP	4.7K	5%	1/10W
						R1583	1-216-809-11	RES-CHIP	100	5%	1/10W
						R1584	1-216-830-11	RES-CHIP	5.6K	5%	1/10W
						R1585	1-216-821-11	RES-CHIP	1K	5%	1/10W
						R1586	1-216-813-11	RES-CHIP	220	5%	1/10W
						R1587	1-216-809-11	RES-CHIP	100	5%	1/10W
						R1588	1-216-830-11	RES-CHIP	5.6K	5%	1/10W
						R1589	1-216-813-11	RES-CHIP	220	5%	1/10W
R1501	1-216-853-11	RES-CHIP	470K	5%	1/10W						
R1502	1-216-853-11	RES-CHIP	470K	5%	1/10W						
R1503	1-218-665-11	METAL CHIP	75	0.50%	1/16W						
R1504	1-218-665-11	METAL CHIP	75	0.50%	1/16W						
R1505	1-218-665-11	METAL CHIP	75	0.50%	1/16W						
R1506	1-216-853-11	RES-CHIP	470K	5%	1/10W						
R1507	1-216-853-11	RES-CHIP	470K	5%	1/10W						
R1508	1-218-665-11	METAL CHIP	75	0.50%	1/16W						
R1509	1-218-665-11	METAL CHIP	75	0.50%	1/16W						
R1510	1-218-665-11	METAL CHIP	75	0.50%	1/16W						
R1511	1-216-853-11	RES-CHIP	470K	5%	1/10W						
R1512	1-216-853-11	RES-CHIP	470K	5%	1/10W						
R1513	1-218-665-11	METAL CHIP	75	0.50%	1/16W						
R1514	1-216-821-11	RES-CHIP	1K	5%	1/10W						
R1520	1-216-825-11	RES-CHIP	2.2K	5%	1/10W						
R1521	1-216-825-11	RES-CHIP	2.2K	5%	1/10W						
R1522	1-216-824-11	RES-CHIP	1.8K	5%	1/10W						
R1523	1-216-824-11	RES-CHIP	1.8K	5%	1/10W						
R1524	1-216-809-11	RES-CHIP	100	5%	1/10W						
R1525	1-216-809-11	RES-CHIP	100	5%	1/10W						
R1526	1-216-821-11	RES-CHIP	1K	5%	1/10W						
R1527	1-216-821-11	RES-CHIP	1K	5%	1/10W						
R1530	1-216-809-11	RES-CHIP	100	5%	1/10W						
R1531	1-216-809-11	RES-CHIP	100	5%	1/10W						
R1532	1-216-809-11	RES-CHIP	100	5%	1/10W						
R1533	1-216-825-11	RES-CHIP	2.2K	5%	1/10W						
R1534	1-216-833-11	RES-CHIP	10K	5%	1/10W						
R1535	1-216-821-11	RES-CHIP	1K	5%	1/10W						
R1536	1-216-821-11	RES-CHIP	1K	5%	1/10W						
R1537	1-216-821-11	RES-CHIP	1K	5%	1/10W						
R1538	1-216-806-11	RES-CHIP	56	5%	1/10W						
R1539	1-216-805-11	RES-CHIP	47	5%	1/10W						
R1540	1-216-809-11	RES-CHIP	100	5%	1/10W						
R1541	1-216-809-11	RES-CHIP	100	5%	1/10W						
R1542	1-216-830-11	RES-CHIP	5.6K	5%	1/10W						




REF. NO.	PART NO.	DESCRIPTION	VALUES			REF. NO.	PART NO.	DESCRIPTION	VALUES		
R1590	1-216-809-11	RES-CHIP	100	5%	1/10W	R1651	1-218-676-11	METAL CHIP	220	0.50%	1/16W
R1591	1-216-813-11	RES-CHIP	220	5%	1/10W	R1652	1-218-676-11	METAL CHIP	220	0.50%	1/16W
R1592	1-216-833-11	RES-CHIP	10K	5%	1/10W	R1653	1-218-676-11	METAL CHIP	220	0.50%	1/16W
R1593	1-216-809-11	RES-CHIP	100	5%	1/10W	R1654	1-218-676-11	METAL CHIP	220	0.50%	1/16W
R1594	1-216-830-11	RES-CHIP	5.6K	5%	1/10W	R1655	1-218-676-11	METAL CHIP	220	0.50%	1/16W
R1595	1-216-830-11	RES-CHIP	5.6K	5%	1/10W	R1656	1-218-676-11	METAL CHIP	220	0.50%	1/16W
R1596	1-216-830-11	RES-CHIP	5.6K	5%	1/10W	R1657	1-218-676-11	METAL CHIP	220	0.50%	1/16W
R1597	1-216-809-11	RES-CHIP	100	5%	1/10W	R1658	1-218-676-11	METAL CHIP	220	0.50%	1/16W
R1598	1-216-830-11	RES-CHIP	5.6K	5%	1/10W	R1659	1-218-676-11	METAL CHIP	220	0.50%	1/16W
R1600	1-216-809-11	RES-CHIP	100	5%	1/10W	R1660	1-218-676-11	METAL CHIP	220	0.50%	1/16W
R1604	1-216-825-11	RES-CHIP	2.2K	5%	1/10W	<b>VARISTOR</b>					
R1607	1-216-845-11	RES-CHIP	100K	5%	1/10W	VD1516	1-803-974-21	VARISTOR, CHIP			
R1608	1-216-849-11	RES-CHIP	220K	5%	1/10W						
R1609	1-216-833-11	RES-CHIP	10K	5%	1/10W	<b>The UD board is <u>not</u> field repairable. If service is required, use the following part number to order a complete replacement board. Data is provided for reference only.</b>					
R1610	1-216-849-11	RES-CHIP	220K	5%	1/10W	* <b>A-1300-324-A UD BOARD, COMPLETE</b>					
R1612	1-216-849-11	RES-CHIP	220K	5%	1/10W	<b>CAPACITOR</b>					
R1613	1-216-845-11	RES-CHIP	100K	5%	1/10W	C7001	1-126-395-11	ELECT CHIP	22µF	20%	16V
R1615	1-216-841-11	RES-CHIP	47K	5%	1/10W	C7002	1-162-917-11	CERAMIC CHIP	15pF	5%	50V
R1616	1-216-833-11	RES-CHIP	10K	5%	1/10W	C7004	1-162-970-11	CERAMIC CHIP	0.01µF	10%	25V
R1617	1-216-845-11	RES-CHIP	100K	5%	1/10W	C7005	1-162-970-11	CERAMIC CHIP	0.01µF	10%	25V
R1618	1-216-864-11	SHORT CHIP	0			C7006	1-124-779-00	ELECT CHIP	10µF	20%	16V
R1619	1-216-809-11	RES-CHIP	100	5%	1/10W	C7007	1-162-917-11	CERAMIC CHIP	15pF	5%	50V
R1620	1-216-809-11	RES-CHIP	100	5%	1/10W	C7008	1-162-970-11	CERAMIC CHIP	0.01µF	10%	25V
R1621	1-216-853-11	RES-CHIP	470K	5%	1/10W	C7010	1-162-970-11	CERAMIC CHIP	0.01µF	10%	25V
R1622	1-216-853-11	RES-CHIP	470K	5%	1/10W	C7011	1-162-970-11	CERAMIC CHIP	0.01µF	10%	25V
R1623	1-216-853-11	RES-CHIP	470K	5%	1/10W	C7012	1-124-779-00	ELECT CHIP	10µF	20%	16V
R1624	1-216-853-11	RES-CHIP	470K	5%	1/10W	C7013	1-162-970-11	CERAMIC CHIP	0.01µF	10%	25V
R1625	1-218-676-11	METAL CHIP	220	0.50%	1/16W	C7014	1-162-970-11	CERAMIC CHIP	0.01µF	10%	25V
R1626	1-218-676-11	METAL CHIP	220	0.50%	1/16W	C7015	1-162-970-11	CERAMIC CHIP	0.01µF	10%	25V
R1627	1-218-676-11	METAL CHIP	220	0.50%	1/16W	C7016	1-162-970-11	CERAMIC CHIP	0.01µF	10%	25V
R1628	1-216-853-11	RES-CHIP	470K	5%	1/10W	C7017	1-164-156-11	CERAMIC CHIP	0.1µF		25V
R1629	1-216-853-11	RES-CHIP	470K	5%	1/10W	C7018	1-162-923-11	CERAMIC CHIP	47pF	5%	50V
R1630	1-218-676-11	METAL CHIP	220	0.50%	1/16W	C7019	1-162-923-11	CERAMIC CHIP	47pF	5%	50V
R1631	1-218-676-11	METAL CHIP	220	0.50%	1/16W	C7020	1-162-923-11	CERAMIC CHIP	47pF	5%	50V
R1632	1-218-676-11	METAL CHIP	220	0.50%	1/16W	C7021	1-124-779-00	ELECT CHIP	10µF	20%	16V
R1635	1-216-821-11	RES-CHIP	1K	5%	1/10W	C7022	1-115-416-11	CERAMIC CHIP	0.001µF	5%	25V
R1636	1-216-821-11	RES-CHIP	1K	5%	1/10W						
R1637	1-216-821-11	RES-CHIP	1K	5%	1/10W						
R1645	1-216-809-11	RES-CHIP	100	5%	1/10W						
R1646	1-216-864-11	SHORT CHIP	0								
R1647	1-216-864-11	SHORT CHIP	0								
R1648	1-216-864-11	SHORT CHIP	0								
R1649	1-218-676-11	METAL CHIP	220	0.50%	1/16W						
R1650	1-218-676-11	METAL CHIP	220	0.50%	1/16W						







REF. NO.	PART NO.	DESCRIPTION	VALUES			REF. NO.	PART NO.	DESCRIPTION	VALUES	
C7023	1-162-927-11	CERAMIC CHIP	100pF	5%	50V	C7070	1-164-156-11	CERAMIC CHIP	0.1μF	25V
C7024	1-124-779-00	ELECT CHIP	10μF	20%	16V	C7071	1-164-156-11	CERAMIC CHIP	0.1μF	25V
C7025	1-164-156-11	CERAMIC CHIP	0.1μF		25V	C7078	1-164-156-11	CERAMIC CHIP	0.1μF	25V
C7026	1-124-779-00	ELECT CHIP	10μF	20%	16V	C7079	1-164-156-11	CERAMIC CHIP	0.1μF	25V
C7027	1-164-156-11	CERAMIC CHIP	0.1μF		25V	C7080	1-164-156-11	CERAMIC CHIP	0.1μF	25V
C7028	1-164-156-11	CERAMIC CHIP	0.1μF		25V	<b>CONNECTOR</b>				
C7029	1-164-156-11	CERAMIC CHIP	0.1μF		25V	* CN7001	1-816-228-21	CONNECTOR, DIV		
C7030	1-162-927-11	CERAMIC CHIP	100pF	5%	50V	* CN7002	1-564-526-11	PLUG,CONNECTOR	11P	
C7031	1-162-927-11	CERAMIC CHIP	100pF	5%	50V	* CN7004	1-564-519-11	PLUG,CONNECTOR	4P	
C7032	1-162-927-11	CERAMIC CHIP	100pF	5%	50V	<b>DIODE</b>				
C7033	1-124-779-00	ELECT CHIP	10μF	20%	16V	D7001	8-719-914-43	DIODE DAN202K-T-146		
C7034	1-164-156-11	CERAMIC CHIP	0.1μF		25V	D7002	8-719-069-55	DIODE UDZSTE-175.6B		
C7035	1-164-156-11	CERAMIC CHIP	0.1μF		25V	D7003	8-719-069-55	DIODE UDZSTE-175.6B		
C7036	1-164-156-11	CERAMIC CHIP	0.1μF		25V	D7004	8-719-069-55	DIODE UDZSTE-175.6B		
C7037	1-164-156-11	CERAMIC CHIP	0.1μF		25V	D7006	8-719-069-55	DIODE UDZSTE-175.6B		
C7038	1-164-156-11	CERAMIC CHIP	0.1μF		25V	<b>FERRITE BEAD</b>				
C7039	1-126-395-11	ELECT CHIP	22μF	20%	16V	FB7001	1-414-760-21	FERRITE	0μH	
C7040	1-162-921-11	CERAMIC CHIP	33pF	5%	50V	FB7002	1-414-760-21	FERRITE	0μH	
C7041	1-164-156-11	CERAMIC CHIP	0.1μF		25V	FB7003	1-414-760-21	FERRITE	0μH	
C7042	1-164-156-11	CERAMIC CHIP	0.1μF		25V	FB7004	1-414-760-21	FERRITE	0μH	
C7043	1-164-156-11	CERAMIC CHIP	0.1μF		25V	<b>FILTER</b>				
C7044	1-164-156-11	CERAMIC CHIP	0.1μF		25V	FL7001	1-400-087-21	FILTER, EMI REMOVAL (SMD)		
C7045	1-164-156-11	CERAMIC CHIP	0.1μF		25V	FL7002	1-234-560-21	FILTER, LOW PASS		
C7046	1-164-156-11	CERAMIC CHIP	0.1μF		25V	FL7003	1-234-559-21	FILTER, LOW PASS		
C7047	1-164-156-11	CERAMIC CHIP	0.1μF		25V	FL7004	1-234-559-21	FILTER, LOW PASS		
C7048	1-164-156-11	CERAMIC CHIP	0.1μF		25V	<b>IC</b>				
C7049	1-164-156-11	CERAMIC CHIP	0.1μF		25V	IC7001	8-759-640-39	IC BR24C02F-WE2		
C7050	1-164-156-11	CERAMIC CHIP	0.1μF		25V	IC7002	8-749-015-18	IC PQ07VZ012ZP		
C7051	1-164-156-11	CERAMIC CHIP	0.1μF		25V	IC7003	8-749-015-18	IC PQ07VZ012ZP		
C7052	1-164-156-11	CERAMIC CHIP	0.1μF		25V	IC7004	6-702-080-01	IC GM7030-H		
C7053	1-164-156-11	CERAMIC CHIP	0.1μF		25V	IC7005	6-801-520-01	IC ST72631K4M1		
C7056	1-126-395-11	ELECT CHIP	22μF	20%	16V	IC7006	8-759-641-86	IC BR24C16F-E2		
C7057	1-162-921-11	CERAMIC CHIP	33pF	5%	50V	IC7007	6-702-170-01	IC PACDN006S		
C7058	1-164-156-11	CERAMIC CHIP	0.1μF		25V	IC7008	6-702-170-01	IC PACDN006S		
C7059	1-164-156-11	CERAMIC CHIP	0.1μF		25V	IC7009	6-702-170-01	IC PACDN006S		
C7060	1-164-156-11	CERAMIC CHIP	0.1μF		25V	<b>COIL</b>				
C7061	1-164-156-11	CERAMIC CHIP	0.1μF		25V	L7001	1-412-058-11	INDUCTOR	10μH	
C7062	1-164-156-11	CERAMIC CHIP	0.1μF		25V	L7002	1-412-058-11	INDUCTOR	10μH	
C7064	1-126-395-11	ELECT CHIP	22μF	20%	16V					
C7065	1-162-970-11	CERAMIC CHIP	0.01μF	10%	25V					
C7066	1-162-970-11	CERAMIC CHIP	0.01μF	10%	25V					
C7067	1-162-970-11	CERAMIC CHIP	0.01μF	10%	25V					
C7068	1-162-970-11	CERAMIC CHIP	0.01μF	10%	25V					
C7069	1-162-970-11	CERAMIC CHIP	0.01μF	10%	25V					

NOTE: The components identified by shading and  mark are critical for safety. Replace only with part number specified.

NOTE: Les composants identifiés par un triangle et une marque  sont critiques pour la sécurité. Ne les remplacer que par une pièce portant le numéro spécifique.





REF. NO.	PART NO.	DESCRIPTION	VALUES			REF. NO.	PART NO.	DESCRIPTION	VALUES			
<b>RESISTOR</b>						R7075	1-218-676-11	METAL CHIP	220	0.50%	1/16W	
R7003	1-216-821-11	RES-CHIP	1K	5%	1/10W	R7080	1-218-704-11	METAL CHIP	3.3K	0.50%	1/16W	
R7004	1-218-852-11	RES-CHIP	1.6K	5%	1/10W	R7087	1-218-680-11	METAL CHIP	330	0.50%	1/16W	
R7007	1-216-821-11	RES-CHIP	1K	5%	1/10W	R7096	1-216-833-11	RES-CHIP	10K	5%	1/10W	
R7012	1-216-821-11	RES-CHIP	1K	5%	1/10W	R7097	1-216-809-11	RES-CHIP	100	5%	1/10W	
R7013	1-216-821-11	RES-CHIP	1K	5%	1/10W	R7098	1-216-809-11	RES-CHIP	100	5%	1/10W	
R7014	1-216-821-11	RES-CHIP	1K	5%	1/10W	R7099	1-216-809-11	RES-CHIP	100	5%	1/10W	
R7015	1-216-833-11	RES-CHIP	10K	5%	1/10W	R7101	1-216-864-11	SHORT CHIP	0			
R7016	1-216-833-11	RES-CHIP	10K	5%	1/10W	R7106	1-216-833-11	RES-CHIP	10K	5%	1/10W	
R7020	1-216-833-11	RES-CHIP	10K	5%	1/10W	R7108	1-216-805-11	RES-CHIP	47	5%	1/10W	
R7021	1-216-833-11	RES-CHIP	10K	5%	1/10W	R7109	1-216-805-11	RES-CHIP	47	5%	1/10W	
R7023	1-216-833-11	RES-CHIP	10K	5%	1/10W	R7111	1-216-864-11	SHORT CHIP	0			
R7024	1-216-833-11	RES-CHIP	10K	5%	1/10W	R7112	1-216-864-11	SHORT CHIP	0			
R7025	1-216-833-11	RES-CHIP	10K	5%	1/10W	R7113	1-216-864-11	SHORT CHIP	0			
R7026	1-216-833-11	RES-CHIP	10K	5%	1/10W	R7114	1-218-700-11	METAL CHIP	2.2K	0.50%	1/16W	
R7029	1-218-692-11	METAL CHIP	1K	0.50%	1/16W	R7115	1-218-700-11	METAL CHIP	2.2K	0.50%	1/16W	
R7030	1-216-864-11	SHORT CHIP	0			R7116	1-218-700-11	METAL CHIP	2.2K	0.50%	1/16W	
R7032	1-218-676-11	METAL CHIP	220	0.50%	1/16W	R7117	1-218-668-11	METAL CHIP	100	0.50%	1/16W	
R7034	1-218-676-11	METAL CHIP	220	0.50%	1/16W	R7119	1-218-668-11	METAL CHIP	100	0.50%	1/16W	
R7036	1-218-704-11	METAL CHIP	3.3K	0.50%	1/16W	R7121	1-216-864-11	SHORT CHIP	0			
R7037	1-218-676-11	METAL CHIP	220	0.50%	1/16W	R7123	1-218-704-11	METAL CHIP	3.3K	0.50%	1/16W	
R7041	1-216-833-11	RES-CHIP	10K	5%	1/10W	R7124	1-218-680-11	METAL CHIP	330	0.50%	1/16W	
R7043	1-216-829-11	RES-CHIP	4.7K	5%	1/10W	R7125	1-218-700-11	METAL CHIP	2.2K	0.50%	1/16W	
R7044	1-216-829-11	RES-CHIP	4.7K	5%	1/10W	R7126	1-216-864-11	SHORT CHIP	0			
R7045	1-216-833-11	RES-CHIP	10K	5%	1/10W	<b>CRYSTAL</b>						
R7047	1-216-833-11	RES-CHIP	10K	5%	1/10W	X7001	1-795-568-21	VIBRATOR, CRYSTAL				
R7051	1-216-864-11	SHORT CHIP	0			X7002	1-795-567-21	VIBRATOR, CRYSTAL				
R7053	1-216-833-11	RES-CHIP	10K	5%	1/10W							
R7054	1-216-833-11	RES-CHIP	10K	5%	1/10W	*	<b>A-1300-406-A</b>	<b>A BOARD, COMPLETE</b>				
R7056	1-216-833-11	RES-CHIP	10K	5%	1/10W	*	4-374-846-11	COVER,CAPACITOR, CAP TYPE				
R7057	1-216-864-11	SHORT CHIP	0				4-382-854-01	SCREW (M3X8), P, SW (+)				
R7058	1-216-833-11	RES-CHIP	10K	5%	1/10W	<b>CAPACITOR</b>						
R7059	1-216-864-11	SHORT CHIP	0				C503	1-136-311-11	MYLAR	0.47µF	20%	125V
R7060	1-216-833-11	RES-CHIP	10K	5%	1/10W		C505	1-117-700-41	CERAMIC	0.0022µF	20%	250V
R7061	1-216-833-11	RES-CHIP	10K	5%	1/10W		C506	1-126-971-11	ELECT	470µF	20%	50V
R7062	1-216-864-11	SHORT CHIP	0				C507	1-126-943-11	ELECT	2200µF	20%	25V
R7065	1-216-833-11	RES-CHIP	10K	5%	1/10W		C508	1-117-700-41	CERAMIC	0.0022µF	20%	250V
R7066	1-218-694-11	METAL CHIP	1.2K	0.50%	1/16W		C510	1-107-826-11	CERAMIC CHIP	0.1µF	10%	16V
R7067	1-216-833-11	RES-CHIP	10K	5%	1/10W		C511	1-126-967-11	ELECT	47µF	20%	50V
R7068	1-216-801-11	RES-CHIP	22	5%	1/10W		C513	1-126-961-11	ELECT	2.2µF	20%	50V
R7069	1-216-801-11	RES-CHIP	22	5%	1/10W							
R7071	1-216-803-11	RES-CHIP	33	5%	1/10W							
R7072	1-216-803-11	RES-CHIP	33	5%	1/10W							









REF. NO.	PART NO.	DESCRIPTION	VALUES			REF. NO.	PART NO.	DESCRIPTION	VALUES		
C515	1-126-947-11	ELECT	47µF	20%	25V	C577	1-126-960-11	ELECT	1µF	20%	50V
C516	1-162-966-11	CERAMIC CHIP	0.0022µF	10%	50V	C578	1-126-964-11	ELECT	10µF	20%	50V
C517	1-104-665-11	ELECT	100µF	20%	25V	C579	1-126-964-11	ELECT	10µF	20%	50V
C518	1-126-967-11	ELECT	47µF	20%	50V	C580	1-126-964-11	ELECT	10µF	20%	50V
C519	1-162-966-11	CERAMIC CHIP	0.0022µF	10%	50V	C583	1-126-960-11	ELECT	1µF	20%	50V
C520	1-162-966-11	CERAMIC CHIP	0.0022µF	10%	50V	C584	1-126-960-11	ELECT	1µF	20%	50V
C521	1-104-665-11	ELECT	100µF	20%	25V	C585	1-126-960-11	ELECT	1µF	20%	50V
C522	1-126-964-11	ELECT	10µF	20%	50V	C591	1-126-969-11	ELECT	220µF	20%	50V
C523	1-104-665-11	ELECT	100µF	20%	25V	C593	1-126-969-11	ELECT	220µF	20%	50V
C524	1-162-970-11	CERAMIC CHIP	0.01µF	10%	25V	C595	1-126-969-11	ELECT	220µF	20%	50V
C525	1-162-966-11	CERAMIC CHIP	0.0022µF	10%	50V	C597	1-162-964-11	CERAMIC CHIP	0.001µF	10%	50V
C526	1-162-927-11	CERAMIC CHIP	100pF	5%	50V	C598	1-130-495-00	MYLAR	0.1µF	5%	50V
C527	1-162-966-11	CERAMIC CHIP	0.0022µF	10%	50V	C599	1-126-974-11	ELECT	3300µF	20%	50V
C528	1-126-933-11	ELECT	100µF	20%	16V	C601	1-164-156-11	CERAMIC CHIP	0.1µF		25V
C529	1-126-941-11	ELECT	470µF	20%	25V	C607	1-130-495-00	MYLAR	0.1µF	5%	50V
C530	1-126-941-11	ELECT	470µF	20%	25V	C611	1-130-495-00	MYLAR	0.1µF	5%	50V
C535	1-115-156-11	CERAMIC CHIP	1µF		10V	C612	1-128-550-11	ELECT	2200µF	20%	50V
C536	1-126-933-11	ELECT	100µF	20%	16V	C613	1-128-550-11	ELECT	2200µF	20%	50V
C538	1-165-176-11	CERAMIC CHIP	0.047µF	10%	16V	C901	1-126-939-11	ELECT	10000µF	20%	16V
C540	1-126-767-11	ELECT	1000µF	20%	16V	C902	1-126-947-11	ELECT	47µF	20%	25V
C541	1-162-961-11	CERAMIC CHIP	330pF	10%	50V			<b>CONNECTOR</b>			
C542	1-126-941-11	ELECT	470µF	20%	25V	CN501	1-695-915-11	TAB (CONTACT)			
C547	1-126-767-11	ELECT	1000µF	20%	16V	CN502	1-695-915-11	TAB (CONTACT)			
C548	1-162-966-11	CERAMIC CHIP	0.0022µF	10%	50V	CN503	1-580-843-11	PIN,CONNECTOR (POWER)			
C549	1-162-966-11	CERAMIC CHIP	0.0022µF	10%	50V	CN507	1-764-812-11	CONNECTOR, BOARD TO BOARD			11P
C550	1-162-966-11	CERAMIC CHIP	0.0022µF	10%	50V	* CN508	1-779-892-11	CONNECTOR, BOARD TO BOARD			10P
C551	1-126-933-11	ELECT	100µF	20%	16V						
C553	1-126-767-11	ELECT	1000µF	20%	16V	* CN509	1-779-892-11	CONNECTOR, BOARD TO BOARD			10P
C554	1-126-933-11	ELECT	100µF	20%	16V	CN510	1-793-494-11	CONNECTOR, BOARD TO BOARD			40P
C555	1-126-933-11	ELECT	100µF	20%	16V	* CN511	1-564-509-11	PLUG,CONNECTOR			6P
C556	1-126-767-11	ELECT	1000µF	20%	16V	* CN514	1-766-240-11	PIN,CONNECTOR (PC BOARD)			2P
C558	1-162-966-11	CERAMIC CHIP	0.0022µF	10%	50V	CN515	1-695-915-11	TAB (CONTACT)			
C559	1-162-927-11	CERAMIC CHIP	100pF	5%	50V	CN516	1-695-915-11	TAB (CONTACT)			
C560	1-126-935-11	ELECT	470µF	20%	16V	CN517	1-695-915-11	TAB (CONTACT)			
C561	1-162-970-11	CERAMIC CHIP	0.01µF	10%	25V	CN518	1-695-915-11	TAB (CONTACT)			
C562	1-126-964-11	ELECT	10µF	20%	50V	CN519	1-695-915-11	TAB (CONTACT)			
C563	1-126-947-11	ELECT	47µF	20%	25V	CN520	1-695-915-11	TAB (CONTACT)			
C564	1-162-966-11	CERAMIC CHIP	0.0022µF	10%	50V	* CN521	1-564-511-11	PLUG,CONNECTOR			8P
C565	1-115-156-11	CERAMIC CHIP	1µF		10V	* CN524	1-564-515-11	PLUG,CONNECTOR			12P
C566	1-162-961-11	CERAMIC CHIP	330pF	10%	50V	* CN526	1-564-508-11	PLUG,CONNECTOR			5P
C567	1-165-176-11	CERAMIC CHIP	0.047µF	10%	16V	* CN527	1-564-511-61	PLUG,CONNECTOR			8P
C569	1-126-767-11	ELECT	1000µF	20%	16V	* CN528	1-564-507-11	PLUG,CONNECTOR			4P
C572	1-104-665-11	ELECT	100µF	20%	25V	* CN900	1-564-508-11	PLUG,CONNECTOR			5P
C574	1-126-960-11	ELECT	1µF	20%	50V	* CN901	1-564-507-11	PLUG,CONNECTOR			4P


NOTE: The components identified by shading and  mark are critical for safety. Replace only with part number specified.


NOTE: Les composants identifiés par un trame et une marque  sont critiques pour la sécurité. Ne les remplacer que par une pièce portant le numéro spécifique.






REF. NO.	PART NO.	DESCRIPTION	VALUES	REF. NO.	PART NO.	DESCRIPTION	VALUES
<b>DIODE</b>				IC508	6-702-490-01	IC TA8258H	
D503	8-719-511-40	DIODE S1VB20		IC901	8-759-450-47	IC BA05T	
D504	8-719-991-33	DIODE 1SS133T-77		<b>CHIP CONDUCTOR</b>			
D505	8-719-991-33	DIODE 1SS133T-77		JR501	1-216-864-11	SHORT CHIP	0
D508	8-719-991-33	DIODE 1SS133T-77		JR502	1-216-864-11	SHORT CHIP	0
D509	8-719-991-33	DIODE 1SS133T-77		JR503	1-216-864-11	SHORT CHIP	0
D510	8-719-991-33	DIODE 1SS133T-77		JR504	1-216-864-11	SHORT CHIP	0
D511	8-719-991-33	DIODE 1SS133T-77		JR505	1-216-864-11	SHORT CHIP	0
D515	8-719-991-33	DIODE 1SS133T-77		JR506	1-216-864-11	SHORT CHIP	0
D516	8-719-991-33	DIODE 1SS133T-77		JR509	1-216-864-11	SHORT CHIP	0
D517	8-719-991-33	DIODE 1SS133T-77		JR510	1-216-864-11	SHORT CHIP	0
D519	8-719-991-33	DIODE 1SS133T-77		JR512	1-216-864-11	SHORT CHIP	0
D520	8-719-991-33	DIODE 1SS133T-77		JR513	1-216-864-11	SHORT CHIP	0
D521	8-719-991-33	DIODE 1SS133T-77		JR514	1-216-864-11	SHORT CHIP	0
D522	8-719-991-33	DIODE 1SS133T-77		JR515	1-216-864-11	SHORT CHIP	0
D524	8-719-991-33	DIODE 1SS133T-77		JR516	1-216-864-11	SHORT CHIP	0
D526	8-719-991-33	DIODE 1SS133T-77		<b>COIL</b>			
D528	8-719-109-85	DIODE MTZJ-T-77-5.1B		L501	1-469-320-21	INDUCTOR	100µH
D529	8-719-991-33	DIODE 1SS133T-77		L502	1-412-525-31	INDUCTOR	10µH
D530	8-719-924-13	DIODE MTZJ-T-77-22B		L503	1-469-320-21	INDUCTOR	100µH
D531	8-719-924-13	DIODE MTZJ-T-77-22B		L504	1-469-317-21	INDUCTOR	10µH
D534	8-719-991-33	DIODE 1SS133T-77		L505	1-469-320-21	INDUCTOR	100µH
D535	8-719-991-33	DIODE 1SS133T-77		L506	1-469-320-21	INDUCTOR	100µH
D540	8-719-991-33	DIODE 1SS133T-77		L507	1-469-317-21	INDUCTOR	10µH
D541	8-719-991-33	DIODE 1SS133T-77		L508	1-412-529-11	INDUCTOR	22µH
D542	8-719-991-33	DIODE 1SS133T-77		 L510	1-437-479-11	TRANSFORMER, LINE FILTER	
D543	8-719-991-33	DIODE 1SS133T-77		 L511	1-437-479-11	TRANSFORMER, LINE FILTER	
D544	8-719-991-33	DIODE 1SS133T-77		<b>IC LINK</b>			
D545	8-719-991-33	DIODE 1SS133T-77		 PS502	1-532-984-11	LINK, IC 2A/90V	
D546	8-719-991-33	DIODE 1SS133T-77		<b>TRANSISTOR</b>			
D901	8-719-063-70	DIODE D1NL20U-TA2		Q503	8-729-424-02	TRANSISTOR 2SB709A-QRS-TX	
<b>FUSE</b>				Q504	8-729-424-02	TRANSISTOR 2SB709A-QRS-TX	
 F501	1-532-506-51	FUSE	6.3A/250V	Q505	8-729-424-02	TRANSISTOR 2SB709A-QRS-TX	
<b>FUSE HOLDER</b>				Q506	8-729-424-02	TRANSISTOR 2SB709A-QRS-TX	
FH501	1-533-223-11	HOLDER, FUSE		Q507	8-729-422-27	TRANSISTOR 2SD601A-QRS-TX	
FH502	1-533-223-11	HOLDER, FUSE		Q509	8-729-422-27	TRANSISTOR 2SD601A-QRS-TX	
<b>IC</b>				Q510	8-729-424-02	TRANSISTOR 2SB709A-QRS-TX	
IC501	8-759-450-47	IC BA05T		Q511	8-729-422-27	TRANSISTOR 2SD601A-QRS-TX	
IC502	8-759-520-49	IC PQ30RV21		Q512	8-729-424-02	TRANSISTOR 2SB709A-QRS-TX	
IC504	6-700-898-01	IC PQ05RD21		Q513	8-729-422-27	TRANSISTOR 2SD601A-QRS-TX	
IC505	8-759-653-07	IC PQ09RD21					



NOTE: The components identified by shading and  mark are critical for safety. Replace only with part number specified.

NOTE: Les composants identifiés par un trame et une  sont critiques pour la sécurité. Ne les remplacer que par une pièce portant le numéro spécifique.

REF. NO.	PART NO.	DESCRIPTION	VALUES			REF. NO.	PART NO.	DESCRIPTION	VALUES		
Q514	8-729-424-02	TRANSISTOR 2SB709A-QRS-TX				R543	1-216-825-11	RES-CHIP	2.2K	5%	1/10W
Q517	8-729-422-27	TRANSISTOR 2SD601A-QRS-TX				R544	1-216-829-11	RES-CHIP	4.7K	5%	1/10W
Q518	8-729-422-27	TRANSISTOR 2SD601A-QRS-TX				R545	1-216-805-11	RES-CHIP	47	5%	1/10W
Q519	8-729-422-27	TRANSISTOR 2SD601A-QRS-TX				R546	1-216-805-11	RES-CHIP	47	5%	1/10W
Q520	8-729-424-02	TRANSISTOR 2SB709A-QRS-TX				R547	1-216-827-11	RES-CHIP	3.3K	5%	1/10W
Q521	8-729-424-02	TRANSISTOR 2SB709A-QRS-TX				R548	1-216-829-11	RES-CHIP	4.7K	5%	1/10W
Q524	8-729-422-27	TRANSISTOR 2SD601A-QRS-TX				R550	1-216-845-11	RES-CHIP	100K	5%	1/10W
Q527	8-729-424-02	TRANSISTOR 2SB709A-QRS-TX				R551	1-216-833-11	RES-CHIP	10K	5%	1/10W
Q528	8-729-422-27	TRANSISTOR 2SD601A-QRS-TX				R552	1-216-837-11	RES-CHIP	22K	5%	1/10W
						R553	1-216-821-11	RES-CHIP	1K	5%	1/10W
		<b>RESISTOR</b>				R554	1-216-864-11	SHORT CHIP	0		
R501	1-216-864-11	SHORT CHIP	0			R555	1-216-833-11	RES-CHIP	10K	5%	1/10W
 R508	1-219-776-11	CARBON	2.2M	10%	1/2W	R556	1-216-839-11	RES-CHIP	33K	5%	1/10W
 R509	1-244-270-11	CEMENTED	0.47	5%	20W	R557	1-216-821-11	RES-CHIP	1K	5%	1/10W
 R510	1-244-270-11	CEMENTED	0.47	5%	20W	R558	1-216-857-11	RES-CHIP	1M	5%	1/10W
R511	1-216-849-11	RES-CHIP	220K	5%	1/10W	R559	1-216-847-11	RES-CHIP	150K	5%	1/10W
R512	1-216-849-11	RES-CHIP	220K	5%	1/10W	R560	1-216-825-11	RES-CHIP	2.2K	5%	1/10W
R513	1-216-833-11	RES-CHIP	10K	5%	1/10W	R561	1-216-833-11	RES-CHIP	10K	5%	1/10W
R515	1-216-833-11	RES-CHIP	10K	5%	1/10W	R562	1-216-829-11	RES-CHIP	4.7K	5%	1/10W
R516	1-216-857-11	RES-CHIP	1M	5%	1/10W	R563	1-216-823-11	RES-CHIP	1.5K	5%	1/10W
R517	1-216-805-11	RES-CHIP	47	5%	1/10W	R564	1-216-847-11	RES-CHIP	150K	5%	1/10W
R518	1-216-805-11	RES-CHIP	47	5%	1/10W	R565	1-216-821-11	RES-CHIP	1K	5%	1/10W
R519	1-216-839-11	RES-CHIP	33K	5%	1/10W	R570	1-216-833-11	RES-CHIP	10K	5%	1/10W
R520	1-216-837-11	RES-CHIP	22K	5%	1/10W	R571	1-216-829-11	RES-CHIP	4.7K	5%	1/10W
R521	1-216-825-11	RES-CHIP	2.2K	5%	1/10W	R572	1-216-809-11	RES-CHIP	100	5%	1/10W
R522	1-216-829-11	RES-CHIP	4.7K	5%	1/10W	R573	1-216-847-11	RES-CHIP	150K	5%	1/10W
R523	1-216-837-11	RES-CHIP	22K	5%	1/10W	R574	1-216-809-11	RES-CHIP	100	5%	1/10W
R524	1-216-833-11	RES-CHIP	10K	5%	1/10W	R577	1-216-821-11	RES-CHIP	1K	5%	1/10W
R525	1-216-833-11	RES-CHIP	10K	5%	1/10W	R579	1-216-821-11	RES-CHIP	1K	5%	1/10W
R526	1-216-837-11	RES-CHIP	22K	5%	1/10W	R581	1-216-864-11	SHORT CHIP	0		
R527	1-216-343-00	METAL OXIDE	0.33	5%	1W	R582	1-216-864-11	SHORT CHIP	0		
R528	1-216-833-11	RES-CHIP	10K	5%	1/10W	R585	1-216-825-11	RES-CHIP	2.2K	5%	1/10W
R529	1-216-857-11	RES-CHIP	1M	5%	1/10W	R586	1-216-825-11	RES-CHIP	2.2K	5%	1/10W
R530	1-216-847-11	RES-CHIP	150K	5%	1/10W	R588	1-216-833-11	RES-CHIP	10K	5%	1/10W
R531	1-216-821-11	RES-CHIP	1K	5%	1/10W	R589	1-216-833-11	RES-CHIP	10K	5%	1/10W
R532	1-216-825-11	RES-CHIP	2.2K	5%	1/10W	R591	1-216-821-11	RES-CHIP	1K	5%	1/10W
R533	1-216-833-11	RES-CHIP	10K	5%	1/10W	R593	1-216-829-11	RES-CHIP	4.7K	5%	1/10W
R534	1-218-716-11	METAL CHIP	10K	0.50%	1/16W	R595	1-216-821-11	RES-CHIP	1K	5%	1/10W
R535	1-218-722-11	METAL CHIP	18K	0.50%	1/16W	R596	1-216-833-11	RES-CHIP	10K	5%	1/10W
R537	1-218-750-11	METAL CHIP	270K	0.50%	1/16W	R598	1-216-833-11	RES-CHIP	10K	5%	1/10W
R538	1-216-823-11	RES-CHIP	1.5K	5%	1/10W	R599	1-216-825-11	RES-CHIP	2.2K	5%	1/10W
R540	1-216-821-11	RES-CHIP	1K	5%	1/10W	R601	1-216-821-11	RES-CHIP	1K	5%	1/10W
R541	1-216-833-11	RES-CHIP	10K	5%	1/10W	R602	1-216-833-11	RES-CHIP	10K	5%	1/10W
R542	1-216-821-11	RES-CHIP	1K	5%	1/10W	R603	1-216-829-11	RES-CHIP	4.7K	5%	1/10W

NOTE: The components identified by shading and  $\triangle$  mark are critical for safety. Replace only with part number specified.

NOTE: Les composants identifiés par un trame et une marque  $\triangle$  sont critiques pour la sécurité. Ne les remplacer que par une pièce portant le numéro spécifique.



REF. NO.	PART NO.	DESCRIPTION	VALUES			REF. NO.	PART NO.	DESCRIPTION	VALUES		
R605	1-216-829-11	RES-CHIP	4.7K	5%	1/10W	C2807	1-125-837-91	CERAMIC CHIP	1 $\mu$ F	10%	6.3V
R606	1-216-833-11	RES-CHIP	10K	5%	1/10W	C2808	1-126-601-11	ELECT CHIP	2.2 $\mu$ F	20%	50V
R607	1-216-833-11	RES-CHIP	10K	5%	1/10W	C2809	1-117-681-11	ELECT CHIP	100 $\mu$ F	20%	16V
R610	1-216-821-11	RES-CHIP	1K	5%	1/10W	C2810	1-107-826-11	CERAMIC CHIP	0.1 $\mu$ F	10%	16V
R611	1-216-833-11	RES-CHIP	10K	5%	1/10W	C2811	1-164-156-11	CERAMIC CHIP	0.1 $\mu$ F		25V
R617	1-249-385-11	CARBON	2.2	5%	1/4W	C2812	1-125-891-11	CERAMIC CHIP	0.47 $\mu$ F	10%	10V
R622	1-249-385-11	CARBON	2.2	5%	1/4W	C2813	1-107-826-11	CERAMIC CHIP	0.1 $\mu$ F	10%	16V
R631	1-249-429-11	CARBON	10K	5%	1/4W	C2814	1-107-826-11	CERAMIC CHIP	0.1 $\mu$ F	10%	16V
R632	1-249-429-11	CARBON	10K	5%	1/4W	C2815	1-107-826-11	CERAMIC CHIP	0.1 $\mu$ F	10%	16V
R634	1-216-837-11	RES-CHIP	22K	5%	1/10W	C2816	1-107-826-11	CERAMIC CHIP	0.1 $\mu$ F	10%	16V
R635	1-216-833-11	RES-CHIP	10K	5%	1/10W	C2817	1-107-826-11	CERAMIC CHIP	0.1 $\mu$ F	10%	16V
R636	1-216-833-11	RES-CHIP	10K	5%	1/10W	C2818	1-162-964-11	CERAMIC CHIP	0.001 $\mu$ F	10%	50V
R643	1-216-864-11	SHORT CHIP	0			C2819	1-107-826-11	CERAMIC CHIP	0.1 $\mu$ F	10%	16V
R645	1-216-864-11	SHORT CHIP	0			C2820	1-162-970-11	CERAMIC CHIP	0.01 $\mu$ F	10%	25V
R647	1-216-833-11	RES-CHIP	10K	5%	1/10W	C2821	1-107-826-11	CERAMIC CHIP	0.1 $\mu$ F	10%	16V
R904	1-216-393-00	METAL OXIDE	2.2	5%	3W	C2822	1-107-826-11	CERAMIC CHIP	0.1 $\mu$ F	10%	16V
<b>TRANSFORMER</b>						C2823	1-117-681-11	ELECT CHIP	100 $\mu$ F	20%	16V
$\triangle$ T502	1-437-697-11	TRANSFORMER, STANDBY				C2824	1-117-681-11	ELECT CHIP	100 $\mu$ F	20%	16V
<b>TUNER</b>						C2825	1-162-964-11	CERAMIC CHIP	0.001 $\mu$ F	10%	50V
TU501	8-598-594-30	TUNER, FSS BTF-FA421				C2826	1-164-156-11	CERAMIC CHIP	0.1 $\mu$ F		25V
TU502	8-598-593-50	TUNER, FSS BTF-WA421				C2827	1-164-156-11	CERAMIC CHIP	0.1 $\mu$ F		25V
<b>VARISTOR</b>						C2828	1-110-563-11	CERAMIC CHIP	0.068 $\mu$ F	10%	16V
$\triangle$ VD501	1-801-074-11	VARISTOR ERZV10D271				C2829	1-162-968-11	CERAMIC CHIP	0.0047 $\mu$ F	10%	50V
<b>B</b>						C2830	1-128-996-11	ELECT CHIP	4.7 $\mu$ F	20%	50V
The B board is <b>not</b> field repairable. If service is required, use the following part number to order a complete replacement board. Data is provided for reference only.						C2831	1-117-681-11	ELECT CHIP	100 $\mu$ F	20%	16V
*	<b>A-1300-407-A</b>	<b>B BOARD, COMPLETE</b>				C2833	1-127-715-91	CERAMIC CHIP	0.22 $\mu$ F	10%	16V
	4-034-937-01	SCREW (M3), TAPPING				C2834	1-125-891-11	CERAMIC CHIP	0.47 $\mu$ F	10%	10V
*	4-088-898-01	CARTON				C2835	1-162-970-11	CERAMIC CHIP	0.01 $\mu$ F	10%	25V
*	7-322-065-48	RUBBER, SILICONE RTV (KE-3490)				C2836	1-164-156-11	CERAMIC CHIP	0.1 $\mu$ F		25V
<b>CAPACITOR</b>						C2837	1-117-681-11	ELECT CHIP	100 $\mu$ F	20%	16V
C2801	1-117-681-11	ELECT CHIP	100 $\mu$ F	20%	16V	C2840	1-107-826-11	CERAMIC CHIP	0.1 $\mu$ F	10%	16V
C2802	1-164-156-11	CERAMIC CHIP	0.1 $\mu$ F		25V	C2841	1-107-826-11	CERAMIC CHIP	0.1 $\mu$ F	10%	16V
C2804	1-162-923-11	CERAMIC CHIP	47pF	5%	50V	C2842	1-117-681-11	ELECT CHIP	100 $\mu$ F	20%	16V
C2805	1-162-970-11	CERAMIC CHIP	0.01 $\mu$ F	10%	25V	C2843	1-164-156-11	CERAMIC CHIP	0.1 $\mu$ F		25V
C2806	1-125-891-11	CERAMIC CHIP	0.47 $\mu$ F	10%	10V	C2844	1-117-681-11	ELECT CHIP	100 $\mu$ F	20%	16V
						C2845	1-117-681-11	ELECT CHIP	100 $\mu$ F	20%	16V
						C2846	1-107-826-11	CERAMIC CHIP	0.1 $\mu$ F	10%	16V
						C2847	1-127-715-91	CERAMIC CHIP	0.22 $\mu$ F	10%	16V
						C2849	1-162-966-11	CERAMIC CHIP	0.0022 $\mu$ F	10%	50V
						C2850	1-117-681-11	ELECT CHIP	100 $\mu$ F	20%	16V
						C2851	1-164-156-11	CERAMIC CHIP	0.1 $\mu$ F		25V
						C2859	1-164-156-11	CERAMIC CHIP	0.1 $\mu$ F		25V
						C2860	1-126-206-11	ELECT CHIP	100 $\mu$ F	20%	6.3V
						C2861	1-107-826-11	CERAMIC CHIP	0.1 $\mu$ F	10%	16V





REF. NO.	PART NO.	DESCRIPTION	VALUES			REF. NO.	PART NO.	DESCRIPTION	VALUES		
C3004	1-126-206-11	ELECT CHIP	100µF	20%	6.3V	C3096	1-162-970-11	CERAMIC CHIP	0.01µF	10%	25V
C3005	1-126-204-11	ELECT CHIP	47µF	20%	16V	C3097	1-128-359-11	ELECT CHIP	100µF	20%	10V
C3006	1-162-970-11	CERAMIC CHIP	0.01µF	10%	25V	C3098	1-162-970-11	CERAMIC CHIP	0.01µF	10%	25V
C3008	1-126-204-11	ELECT CHIP	47µF	20%	16V	C3101	1-162-925-11	CERAMIC CHIP	68pF	5%	50V
C3009	1-162-970-11	CERAMIC CHIP	0.01µF	10%	25V	C3102	1-162-925-11	CERAMIC CHIP	68pF	5%	50V
C3011	1-164-156-11	CERAMIC CHIP	0.1µF		25V	C3103	1-107-826-11	CERAMIC CHIP	0.1µF	10%	16V
C3012	1-164-156-11	CERAMIC CHIP	0.1µF		25V	C3301	1-164-156-11	CERAMIC CHIP	0.1µF		25V
C3013	1-128-391-11	ELECT CHIP	330µF	20%	6.3V	C3302	1-164-156-11	CERAMIC CHIP	0.1µF		25V
C3014	1-128-391-11	ELECT CHIP	330µF	20%	6.3V	C3303	1-126-206-11	ELECT CHIP	100µF	20%	6.3V
C3015	1-164-156-11	CERAMIC CHIP	0.1µF		25V	C3304	1-164-156-11	CERAMIC CHIP	0.1µF		25V
C3016	1-164-156-11	CERAMIC CHIP	0.1µF		25V	C3305	1-164-156-11	CERAMIC CHIP	0.1µF		25V
C3017	1-125-837-91	CERAMIC CHIP	1µF	10%	6.3V	C3307	1-164-156-11	CERAMIC CHIP	0.1µF		25V
C3018	1-164-156-11	CERAMIC CHIP	0.1µF		25V	C3308	1-164-156-11	CERAMIC CHIP	0.1µF		25V
C3019	1-164-156-11	CERAMIC CHIP	0.1µF		25V	C3309	1-126-206-11	ELECT CHIP	100µF	20%	6.3V
C3020	1-107-826-11	CERAMIC CHIP	0.1µF	10%	16V	C3313	1-164-156-11	CERAMIC CHIP	0.1µF		25V
C3021	1-164-156-11	CERAMIC CHIP	0.1µF		25V	C3314	1-164-156-11	CERAMIC CHIP	0.1µF		25V
C3023	1-125-837-91	CERAMIC CHIP	1µF	10%	6.3V	C3315	1-164-156-11	CERAMIC CHIP	0.1µF		25V
C3024	1-125-837-91	CERAMIC CHIP	1µF	10%	6.3V	C3316	1-164-156-11	CERAMIC CHIP	0.1µF		25V
C3025	1-164-156-11	CERAMIC CHIP	0.1µF		25V	C3317	1-164-156-11	CERAMIC CHIP	0.1µF		25V
C3026	1-164-156-11	CERAMIC CHIP	0.1µF		25V	C3318	1-164-156-11	CERAMIC CHIP	0.1µF		25V
C3027	1-164-156-11	CERAMIC CHIP	0.1µF		25V	C3319	1-164-156-11	CERAMIC CHIP	0.1µF		25V
C3028	1-164-156-11	CERAMIC CHIP	0.1µF		25V	C3325	1-164-156-11	CERAMIC CHIP	0.1µF		25V
C3029	1-164-156-11	CERAMIC CHIP	0.1µF		25V	C3326	1-164-156-11	CERAMIC CHIP	0.1µF		25V
C3030	1-164-156-11	CERAMIC CHIP	0.1µF		25V	C3329	1-107-826-11	CERAMIC CHIP	0.1µF	10%	16V
C3031	1-164-156-11	CERAMIC CHIP	0.1µF		25V	C3333	1-164-156-11	CERAMIC CHIP	0.1µF		25V
C3032	1-164-156-11	CERAMIC CHIP	0.1µF		25V	C3334	1-107-826-11	CERAMIC CHIP	0.1µF	10%	16V
C3033	1-109-982-11	CERAMIC CHIP	1µF	10%	10V	C3335	1-164-156-11	CERAMIC CHIP	0.1µF		25V
C3034	1-162-970-11	CERAMIC CHIP	0.01µF	10%	25V	C3337	1-107-826-11	CERAMIC CHIP	0.1µF	10%	16V
C3035	1-162-970-11	CERAMIC CHIP	0.01µF	10%	25V	C3341	1-164-156-11	CERAMIC CHIP	0.1µF		25V
C3036	1-107-826-11	CERAMIC CHIP	0.1µF	10%	16V	C3343	1-164-156-11	CERAMIC CHIP	0.1µF		25V
C3037	1-107-826-11	CERAMIC CHIP	0.1µF	10%	16V	C3349	1-164-156-11	CERAMIC CHIP	0.1µF		25V
C3038	1-162-970-11	CERAMIC CHIP	0.01µF	10%	25V	C3350	1-164-156-11	CERAMIC CHIP	0.1µF		25V
C3039	1-164-156-11	CERAMIC CHIP	0.1µF		25V	C3351	1-164-156-11	CERAMIC CHIP	0.1µF		25V
C3040	1-107-826-11	CERAMIC CHIP	0.1µF	10%	16V	C3357	1-164-156-11	CERAMIC CHIP	0.1µF		25V
C3041	1-164-156-11	CERAMIC CHIP	0.1µF		25V	C3358	1-164-156-11	CERAMIC CHIP	0.1µF		25V
C3042	1-128-391-11	ELECT CHIP	330µF	20%	6.3V	C3359	1-126-204-11	ELECT CHIP	47µF	20%	16V
C3044	1-164-156-11	CERAMIC CHIP	0.1µF		25V	C3360	1-164-156-11	CERAMIC CHIP	0.1µF		25V
C3046	1-162-970-11	CERAMIC CHIP	0.01µF	10%	25V	C3363	1-126-204-11	ELECT CHIP	47µF	20%	16V
C3047	1-126-204-11	ELECT CHIP	47µF	20%	16V	C3364	1-164-156-11	CERAMIC CHIP	0.1µF		25V
C3048	1-162-970-11	CERAMIC CHIP	0.01µF	10%	25V	C3365	1-164-156-11	CERAMIC CHIP	0.1µF		25V
C3049	1-107-826-11	CERAMIC CHIP	0.1µF	10%	16V	C3366	1-164-156-11	CERAMIC CHIP	0.1µF		25V
C3089	1-162-970-11	CERAMIC CHIP	0.01µF	10%	25V	C3367	1-164-156-11	CERAMIC CHIP	0.1µF		25V
C3090	1-126-204-11	ELECT CHIP	47µF	20%	16V	C3368	1-164-156-11	CERAMIC CHIP	0.1µF		25V
C3095	1-128-391-11	ELECT CHIP	330µF	20%	6.3V	C3369	1-164-156-11	CERAMIC CHIP	0.1µF		25V



REF. NO.	PART NO.	DESCRIPTION	VALUES			REF. NO.	PART NO.	DESCRIPTION	VALUES		
C3370	1-164-156-11	CERAMIC CHIP	0.1μF		25V	C3465	1-164-156-11	CERAMIC CHIP	0.1μF		25V
C3371	1-164-156-11	CERAMIC CHIP	0.1μF		25V	C3466	1-164-156-11	CERAMIC CHIP	0.1μF		25V
C3372	1-164-156-11	CERAMIC CHIP	0.1μF		25V	C3467	1-164-156-11	CERAMIC CHIP	0.1μF		25V
C3374	1-164-156-11	CERAMIC CHIP	0.1μF		25V	C3468	1-126-206-11	ELECT CHIP	100μF	20%	6.3V
C3375	1-127-760-11	CERAMIC CHIP	4.7μF	10%	6.3V	C3469	1-164-156-11	CERAMIC CHIP	0.1μF		25V
C3376	1-164-156-11	CERAMIC CHIP	0.1μF		25V	C3470	1-126-206-11	ELECT CHIP	100μF	20%	6.3V
C3377	1-162-970-11	CERAMIC CHIP	0.01μF	10%	25V	C3473	1-164-156-11	CERAMIC CHIP	0.1μF		25V
C3378	1-126-204-11	ELECT CHIP	47μF	20%	16V	C3474	1-124-779-00	ELECT CHIP	10μF	20%	16V
C3379	1-164-156-11	CERAMIC CHIP	0.1μF		25V	C3475	1-164-156-11	CERAMIC CHIP	0.1μF		25V
C3401	1-164-156-11	CERAMIC CHIP	0.1μF		25V	C3476	1-124-779-00	ELECT CHIP	10μF	20%	16V
C3402	1-126-394-11	ELECT CHIP	10μF	20%	16V	C3477	1-164-156-11	CERAMIC CHIP	0.1μF		25V
C3403	1-164-156-11	CERAMIC CHIP	0.1μF		25V	C3478	1-126-204-11	ELECT CHIP	47μF	20%	16V
C3404	1-126-206-11	ELECT CHIP	100μF	20%	6.3V	C3479	1-124-779-00	ELECT CHIP	10μF	20%	16V
C3405	1-126-206-11	ELECT CHIP	100μF	20%	6.3V	C3480	1-164-156-11	CERAMIC CHIP	0.1μF		25V
C3406	1-107-826-11	CERAMIC CHIP	0.1μF	10%	16V	C3481	1-117-681-11	ELECT CHIP	100μF	20%	16V
C3407	1-107-826-11	CERAMIC CHIP	0.1μF	10%	16V	C3482	1-117-681-11	ELECT CHIP	100μF	20%	16V
C3408	1-126-206-11	ELECT CHIP	100μF	20%	6.3V	C3483	1-117-681-11	ELECT CHIP	100μF	20%	16V
C3409	1-164-156-11	CERAMIC CHIP	0.1μF		25V	C3484	1-125-837-91	CERAMIC CHIP	1μF	10%	6.3V
C3410	1-164-156-11	CERAMIC CHIP	0.1μF		25V	C3485	1-164-156-11	CERAMIC CHIP	0.1μF		25V
C3411	1-164-156-11	CERAMIC CHIP	0.1μF		25V	C3486	1-164-156-11	CERAMIC CHIP	0.1μF		25V
C3412	1-164-156-11	CERAMIC CHIP	0.1μF		25V	C3487	1-164-156-11	CERAMIC CHIP	0.1μF		25V
C3413	1-164-156-11	CERAMIC CHIP	0.1μF		25V	C3488	1-124-779-00	ELECT CHIP	10μF	20%	16V
C3414	1-164-156-11	CERAMIC CHIP	0.1μF		25V	C3489	1-164-156-11	CERAMIC CHIP	0.1μF		25V
C3417	1-164-156-11	CERAMIC CHIP	0.1μF		25V	C3490	1-124-779-00	ELECT CHIP	10μF	20%	16V
C3418	1-107-826-11	CERAMIC CHIP	0.1μF	10%	16V	C3491	1-126-204-11	ELECT CHIP	47μF	20%	16V
C3424	1-164-156-11	CERAMIC CHIP	0.1μF		25V	C3492	1-164-156-11	CERAMIC CHIP	0.1μF		25V
C3426	1-164-156-11	CERAMIC CHIP	0.1μF		25V	C3493	1-126-204-11	ELECT CHIP	47μF	20%	16V
C3428	1-107-826-11	CERAMIC CHIP	0.1μF	10%	16V	C3494	1-164-156-11	CERAMIC CHIP	0.1μF		25V
C3431	1-126-204-11	ELECT CHIP	47μF	20%	16V	C3495	1-124-779-00	ELECT CHIP	10μF	20%	16V
C3435	1-164-156-11	CERAMIC CHIP	0.1μF		25V	C3496	1-164-156-11	CERAMIC CHIP	0.1μF		25V
C3436	1-107-826-11	CERAMIC CHIP	0.1μF	10%	16V	C3499	1-162-970-11	CERAMIC CHIP	0.01μF	10%	25V
C3439	1-164-156-11	CERAMIC CHIP	0.1μF		25V	C3500	1-117-681-11	ELECT CHIP	100μF	20%	16V
C3440	1-162-916-11	CERAMIC CHIP	12pF	5%	50V	C3501	1-164-156-11	CERAMIC CHIP	0.1μF		25V
C3441	1-162-916-11	CERAMIC CHIP	12pF	5%	50V	C3601	1-164-156-11	CERAMIC CHIP	0.1μF		25V
C3442	1-124-779-00	ELECT CHIP	10μF	20%	16V	C3602	1-164-156-11	CERAMIC CHIP	0.1μF		25V
C3444	1-164-156-11	CERAMIC CHIP	0.1μF		25V	C3604	1-124-779-00	ELECT CHIP	10μF	20%	16V
C3446	1-107-826-11	CERAMIC CHIP	0.1μF	10%	16V	C3605	1-162-970-11	CERAMIC CHIP	0.01μF	10%	25V
C3449	1-107-826-11	CERAMIC CHIP	0.1μF	10%	16V	C3606	1-164-156-11	CERAMIC CHIP	0.1μF		25V
C3450	1-164-156-11	CERAMIC CHIP	0.1μF		25V	C3607	1-162-970-11	CERAMIC CHIP	0.01μF	10%	25V
C3452	1-164-156-11	CERAMIC CHIP	0.1μF		25V	C3608	1-164-156-11	CERAMIC CHIP	0.1μF		25V
C3460	1-162-923-11	CERAMIC CHIP	47pF	5%	50V	C3610	1-164-156-11	CERAMIC CHIP	0.1μF		25V
C3462	1-164-156-11	CERAMIC CHIP	0.1μF		25V	C3611	1-164-156-11	CERAMIC CHIP	0.1μF		25V
C3463	1-164-156-11	CERAMIC CHIP	0.1μF		25V	C3613	1-126-206-11	ELECT CHIP	100μF	20%	6.3V
C3464	1-164-156-11	CERAMIC CHIP	0.1μF		25V	C3614	1-164-156-11	CERAMIC CHIP	0.1μF		25V



REF. NO.	PART NO.	DESCRIPTION	VALUES			REF. NO.	PART NO.	DESCRIPTION	VALUES		
C3615	1-124-779-00	ELECT CHIP	10µF	20%	16V	C8639	1-126-204-11	ELECT CHIP	47µF	20%	16V
C3617	1-162-970-11	CERAMIC CHIP	0.01µF	10%	25V	C8640	1-117-370-11	CERAMIC CHIP	10µF		10V
C3618	1-127-760-11	CERAMIC CHIP	4.7µF	10%	6.3V	C8641	1-117-370-11	CERAMIC CHIP	10µF		10V
C3619	1-126-206-11	ELECT CHIP	100µF	20%	6.3V	C8642	1-164-156-11	CERAMIC CHIP	0.1µF		25V
C3620	1-107-826-11	CERAMIC CHIP	0.1µF	10%	16V	C8643	1-164-156-11	CERAMIC CHIP	0.1µF		25V
C3622	1-164-156-11	CERAMIC CHIP	0.1µF		25V	C8644	1-164-156-11	CERAMIC CHIP	0.1µF		25V
C3623	1-164-156-11	CERAMIC CHIP	0.1µF		25V	C8645	1-164-156-11	CERAMIC CHIP	0.1µF		25V
C3624	1-164-156-11	CERAMIC CHIP	0.1µF		25V	C8646	1-164-156-11	CERAMIC CHIP	0.1µF		25V
C3626	1-164-156-11	CERAMIC CHIP	0.1µF		25V	C8647	1-164-156-11	CERAMIC CHIP	0.1µF		25V
C3627	1-164-156-11	CERAMIC CHIP	0.1µF		25V	C8648	1-164-156-11	CERAMIC CHIP	0.1µF		25V
C3628	1-164-156-11	CERAMIC CHIP	0.1µF		25V	C8649	1-164-156-11	CERAMIC CHIP	0.1µF		25V
C3629	1-126-394-11	ELECT CHIP	10µF	20%	16V	C8650	1-126-204-11	ELECT CHIP	47µF	20%	16V
C3630	1-126-394-11	ELECT CHIP	10µF	20%	16V	C8651	1-164-156-11	CERAMIC CHIP	0.1µF		25V
C3906	1-126-204-11	ELECT CHIP	47µF	20%	16V	C8652	1-128-994-21	ELECT CHIP	47µF	20%	10V
C3912	1-126-206-11	ELECT CHIP	100µF	20%	6.3V	C8653	1-164-156-11	CERAMIC CHIP	0.1µF		25V
C8601	1-162-970-11	CERAMIC CHIP	0.01µF	10%	25V	C8654	1-126-206-11	ELECT CHIP	100µF	20%	6.3V
C8602	1-127-692-11	CERAMIC CHIP	10µF	10%	6.3V	C8655	1-164-156-11	CERAMIC CHIP	0.1µF		25V
C8603	1-162-970-11	CERAMIC CHIP	0.01µF	10%	25V	C8656	1-164-156-11	CERAMIC CHIP	0.1µF		25V
C8604	1-127-692-11	CERAMIC CHIP	10µF	10%	6.3V	C8657	1-164-156-11	CERAMIC CHIP	0.1µF		25V
C8605	1-162-970-11	CERAMIC CHIP	0.01µF	10%	25V	<b>CONNECTOR</b>					
C8606	1-127-692-11	CERAMIC CHIP	10µF	10%	6.3V	* CN2801	1-564-506-11	PLUG,CONNECTOR			3P
C8607	1-164-156-11	CERAMIC CHIP	0.1µF		25V	* CN2802	1-564-506-11	PLUG,CONNECTOR			3P
C8608	1-128-934-91	CERAMIC CHIP	0.33µF	20%	10V	* CN2803	1-564-508-11	PLUG,CONNECTOR			5P
C8609	1-162-967-11	CERAMIC CHIP	0.0033µF	10%	50V	CN2805	1-764-334-11	PLUG,CONNECTOR			11P
C8610	1-162-927-11	CERAMIC CHIP	100pF	5%	50V	* CN2806	1-564-510-11	PLUG,CONNECTOR			7P
C8611	1-162-927-11	CERAMIC CHIP	100pF	5%	50V	* CN3602	1-793-141-21	PIN,CONNECTOR (PC BOARD)			15P
C8612	1-107-826-11	CERAMIC CHIP	0.1µF	10%	16V	* CN3603	1-815-177-12	PIN,CONNECTOR (WITH SHIELD)			22P
C8613	1-107-826-11	CERAMIC CHIP	0.1µF	10%	16V	<b>DIODE</b>					
C8615	1-107-826-11	CERAMIC CHIP	0.1µF	10%	16V	D2803	8-719-404-50	DIODE MA111-TX			
C8617	1-164-156-11	CERAMIC CHIP	0.1µF		25V	D2806	8-719-069-55	DIODE UDZSTE-175.6B			
C8621	1-164-156-11	CERAMIC CHIP	0.1µF		25V	D2807	8-719-404-50	DIODE MA111-TX			
C8622	1-164-156-11	CERAMIC CHIP	0.1µF		25V	D3001	8-719-404-50	DIODE MA111-TX			
C8623	1-164-156-11	CERAMIC CHIP	0.1µF		25V	D3002	8-719-083-58	DIODE UDZSTE-173.9B			
C8624	1-164-156-11	CERAMIC CHIP	0.1µF		25V	D3089	8-719-800-76	DIODE MA153-TX			
C8625	1-164-156-11	CERAMIC CHIP	0.1µF		25V	D3090	8-719-800-76	DIODE MA153-TX			
C8630	1-164-156-11	CERAMIC CHIP	0.1µF		25V	D3309	8-719-914-43	DIODE DAN202K-T-146			
C8631	1-164-156-11	CERAMIC CHIP	0.1µF		25V	D3310	8-719-914-44	DIODE DAP202K-T-146			
C8632	1-164-156-11	CERAMIC CHIP	0.1µF		25V	D3401	8-719-914-43	DIODE DAN202K-T-146			
C8633	1-164-156-11	CERAMIC CHIP	0.1µF		25V	D3402	8-719-914-44	DIODE DAP202K-T-146			
C8634	1-125-837-91	CERAMIC CHIP	1µF	10%	6.3V	D3403	8-719-978-33	DIODE UDZSTE-176.8B			
C8635	1-125-837-91	CERAMIC CHIP	1µF	10%	6.3V						
C8636	1-164-156-11	CERAMIC CHIP	0.1µF		25V						
C8637	1-164-156-11	CERAMIC CHIP	0.1µF		25V						
C8638	1-128-994-21	ELECT CHIP	47µF	20%	10V						



**NOTE:** The components identified by shading and  $\triangle$  mark are critical for safety. Replace only with part number specified.

**NOTE:** Les composants identifiés par un trame et une marque  $\triangle$  sont critiques pour la sécurité. Ne les remplacer que par une pièce portant le numéro spécifique.

REF. NO.	PART NO.	DESCRIPTION	VALUES			REF. NO.	PART NO.	DESCRIPTION	VALUES		
D3404	8-719-404-50	DIODE MA111-TX				IC3089	8-759-682-41	IC M24C32-WMN6T(A)			
D3601	8-719-800-76	DIODE MA153-TX				IC3090	6-801-376-01	IC MB94918RpF-G-147-BND			
D3603	8-719-083-58	DIODE UDZSTE-173.9B				IC3091	8-759-352-91	IC PST9143NL			
<b>FERRITE BEAD</b>						IC3301	8-759-663-74	IC HY57V161610DTC-7TR			
FB3001	1-500-451-11	FERRITE	0			IC3302	6-700-398-01	IC UPC2918T-E1			
FB3002	1-216-864-11	SHORT CHIP	0			IC3303	8-752-410-57	IC CXD2097AQ			
FB3301	1-414-235-22	FERRITE	0			IC3306	8-759-669-78	IC TLC2933IPWR-12			
FB3302	1-414-235-22	FERRITE	0			IC3401	6-700-399-01	IC UPC2925T-E1			
FB3303	1-216-809-11	RES-CHIP	100	5%	1/10W	IC3402	8-759-677-37	IC MT48LC2M32B2TG-7			
FB3304	1-469-110-21	FERRITE	0			IC3403	8-759-460-29	IC PST9120NL			
FB3401	1-414-235-22	FERRITE	0			IC3408	8-759-672-57	IC CXD9509AQ			
FB3402	1-414-235-22	FERRITE	0			IC3409	8-759-833-72	IC NJM2870F25-TE2			
FB3403	1-216-864-11	SHORT CHIP	0			IC3410	8-752-409-20	IC CXD2309AQ			
FB3601	1-414-228-11	FERRITE	0			IC3411	8-759-082-57	IC TC7W04FU(TE12R)			
FB3602	1-414-228-11	FERRITE	0			IC3413	6-700-205-01	IC TC74LVX157FT(EL)			
FB3603	1-216-864-11	SHORT CHIP	0			IC3414	8-759-548-56	IC M52055FP			
FB3604	1-216-864-11	SHORT CHIP	0			IC3601	8-759-592-50	IC TC7SZ126FU(TE85R)			
FB3605	1-216-864-11	SHORT CHIP	0			IC3602	8-759-592-49	IC TC7SZ125FU(TE85R)			
FB3606	1-216-864-11	SHORT CHIP	0			IC3603	8-759-639-85	IC SN65LVDS31DR			
FB3607	1-216-864-11	SHORT CHIP	0			IC3604	6-701-762-11	IC DS90LV028ATMX			
FB3608	1-469-568-21	FERRITE	0			IC3605	8-759-698-08	IC SN74CBTLV1G125DCKR			
FB3609	1-414-921-11	FERRITE	0			IC3606	8-759-641-26	IC NJM2391DL1-33(TE1)			
FB3610	1-414-921-11	FERRITE	0			IC3608	8-759-669-75	IC TLC2932IPWR			
FB3611	1-414-921-11	FERRITE	0			IC3609	8-759-828-44	IC NJM2870F33(TE2)			
FB3612	1-414-921-11	FERRITE	0			IC8601	8-752-093-03	IC CXA3506R			
<b>FILTER</b>						<b>CHIP CONDUCTOR</b>					
FL3001	1-234-177-21	FERRITE	0			JR3001	1-216-864-11	SHORT CHIP	0		
FL3002	1-234-177-21	FERRITE	0			<b>COIL</b>					
FL3301	1-234-558-21	FILTER, LOW PASS				L2801	1-469-555-21	INDUCTOR	10	$\mu$ H	
FL3302	1-234-557-21	FILTER, LOW PASS				L2803	1-469-555-21	INDUCTOR	10	$\mu$ H	
FL3303	1-234-557-21	FILTER, LOW PASS				L2804	1-469-555-21	INDUCTOR	10	$\mu$ H	
FL3401	1-781-923-21	FILTER, LOW PASS (SMD)				L2805	1-469-555-21	INDUCTOR	10	$\mu$ H	
FL3602	1-234-494-21	FILTER, EMI REMOVAL (SMD)				L2806	1-469-555-21	INDUCTOR	10	$\mu$ H	
FL8601	1-234-559-21	FILTER, LOW PASS				L2807	1-469-555-21	INDUCTOR	10	$\mu$ H	
FL8602	1-234-559-21	FILTER, LOW PASS				L2808	1-469-555-21	INDUCTOR	10	$\mu$ H	
FL8603	1-234-560-21	FILTER, LOW PASS				L2811	1-469-555-21	INDUCTOR	10	$\mu$ H	
<b>IC</b>						L3001	1-216-295-91	SHORT CHIP	0		
$\triangle$ IC2801	8-752-102-68	IC CXA2170Q				L3002	1-412-026-11	INDUCTOR	1	$\mu$ H	
IC3001	6-700-188-01	IC IS41C16256-35K				L3004	1-412-026-11	INDUCTOR	1	$\mu$ H	
IC3002	8-759-583-47	IC UPC2933T-E1				L3005	1-412-026-11	INDUCTOR	1	$\mu$ H	
IC3003	6-701-892-01	IC TC90A90F(BH,DRY)				L3007	1-469-555-21	INDUCTOR	10	$\mu$ H	
IC3004	8-759-642-22	IC UPC29M05T-E2				L3009	1-469-555-21	INDUCTOR	10	$\mu$ H	
						L3010	1-469-555-21	INDUCTOR	10	$\mu$ H	





REF. NO.	PART NO.	DESCRIPTION	VALUES	REF. NO.	PART NO.	DESCRIPTION	VALUES
L3011	1-469-555-21	INDUCTOR	10μH	Q2822	8-729-422-27	TRANSISTOR 2SD601A-QRS-TX	
L3089	1-414-233-22	FERRITE	0μH	Q2823	8-729-422-27	TRANSISTOR 2SD601A-QRS-TX	
L3102	1-469-552-21	INDUCTOR	3.3μH	Q3003	8-729-422-27	TRANSISTOR 2SD601A-QRS-TX	
L3304	1-469-555-21	INDUCTOR	10μH	Q3005	8-729-422-27	TRANSISTOR 2SD601A-QRS-TX	
L3310	1-469-561-21	INDUCTOR	100μH	Q3006	8-729-422-27	TRANSISTOR 2SD601A-QRS-TX	
L3311	1-469-561-21	INDUCTOR	100μH	Q3007	8-729-422-27	TRANSISTOR 2SD601A-QRS-TX	
L3402	1-412-052-21	INDUCTOR	1μH	Q3008	8-729-422-27	TRANSISTOR 2SD601A-QRS-TX	
L3405	1-469-555-21	INDUCTOR	10μH	Q3009	8-729-422-27	TRANSISTOR 2SD601A-QRS-TX	
L3406	1-469-555-21	INDUCTOR	10μH	Q3089	8-729-424-02	TRANSISTOR 2SB709A-QRS-TX	
L3407	1-469-555-21	INDUCTOR	10μH	Q3090	8-729-424-02	TRANSISTOR 2SB709A-QRS-TX	
L3411	1-412-058-11	INDUCTOR	10μH	Q3092	8-729-422-27	TRANSISTOR 2SD601A-QRS-TX	
L3412	1-469-555-21	INDUCTOR	10μH	Q3093	8-729-422-27	TRANSISTOR 2SD601A-QRS-TX	
L3413	1-469-555-21	INDUCTOR	10μH	Q3302	8-729-422-27	TRANSISTOR 2SD601A-QRS-TX	
L3414	1-469-555-21	INDUCTOR	10μH	Q3303	8-729-422-27	TRANSISTOR 2SD601A-QRS-TX	
L3416	1-469-555-21	INDUCTOR	10μH	Q3305	8-729-424-02	TRANSISTOR 2SB709A-QRS-TX	
L3418	1-469-555-21	INDUCTOR	10μH	Q3306	8-729-424-02	TRANSISTOR 2SB709A-QRS-TX	
L3601	1-419-370-21	INDUCTOR	0μH	Q3307	8-729-422-27	TRANSISTOR 2SD601A-QRS-TX	
L3602	1-419-370-21	INDUCTOR	0μH	Q3308	8-729-424-02	TRANSISTOR 2SB709A-QRS-TX	
L3603	1-419-370-21	INDUCTOR	0μH	Q3309	8-729-422-27	TRANSISTOR 2SD601A-QRS-TX	
L3604	1-419-370-21	INDUCTOR	0μH	Q3310	8-729-424-02	TRANSISTOR 2SB709A-QRS-TX	
L3605	1-419-370-21	INDUCTOR	0μH	Q3311	8-729-422-27	TRANSISTOR 2SD601A-QRS-TX	
L3903	1-412-052-21	INDUCTOR	1μH	Q3401	8-729-422-27	TRANSISTOR 2SD601A-QRS-TX	
L8601	1-469-555-21	INDUCTOR	10μH	Q3402	8-729-028-28	TRANSISTOR 2SK2036(TE85L)	
L8602	1-469-553-21	INDUCTOR	4.7μH	Q3404	8-729-028-28	TRANSISTOR 2SK2036(TE85L)	
L8603	1-469-555-21	INDUCTOR	10μH	Q3410	8-729-424-02	TRANSISTOR 2SB709A-QRS-TX	
L8604	1-469-555-21	INDUCTOR	10μH	Q3411	8-729-424-02	TRANSISTOR 2SB709A-QRS-TX	
		<b>TRANSISTOR</b>		Q3412	8-729-424-02	TRANSISTOR 2SB709A-QRS-TX	
Q2801	8-729-122-63	TRANSISTOR 2SA1226-T1E4		Q3413	8-729-424-02	TRANSISTOR 2SB709A-QRS-TX	
Q2802	8-729-424-02	TRANSISTOR 2SB709A-QRS-TX		Q3414	8-729-424-02	TRANSISTOR 2SB709A-QRS-TX	
Q2803	8-729-424-02	TRANSISTOR 2SB709A-QRS-TX		Q3415	8-729-424-02	TRANSISTOR 2SB709A-QRS-TX	
Q2804	8-729-422-27	TRANSISTOR 2SD601A-QRS-TX		Q3416	8-729-422-27	TRANSISTOR 2SD601A-QRS-TX	
Q2805	8-729-424-02	TRANSISTOR 2SB709A-QRS-TX		Q3601	8-729-422-27	TRANSISTOR 2SD601A-QRS-TX	
Q2806	8-729-422-27	TRANSISTOR 2SD601A-QRS-TX		Q3906	8-729-028-28	TRANSISTOR 2SK2036(TE85L)	
Q2807	8-729-422-27	TRANSISTOR 2SD601A-QRS-TX		Q3907	8-729-028-28	TRANSISTOR 2SK2036(TE85L)	
Q2810	8-729-424-02	TRANSISTOR 2SB709A-QRS-TX		Q8601	8-729-102-07	TRANSISTOR 2SC2223-T1F13F14	
Q2811	8-729-122-63	TRANSISTOR 2SA1226-T1E4		Q8602	8-729-102-07	TRANSISTOR 2SC2223-T1F13F14	
Q2812	8-729-122-63	TRANSISTOR 2SA1226-T1E4		Q8603	8-729-102-07	TRANSISTOR 2SC2223-T1F13F14	
Q2813	8-729-122-63	TRANSISTOR 2SA1226-T1E4		Q8604	8-729-424-02	TRANSISTOR 2SB709A-QRS-TX	
Q2814	8-729-422-27	TRANSISTOR 2SD601A-QRS-TX		Q8605	8-729-424-02	TRANSISTOR 2SB709A-QRS-TX	
Q2815	8-729-422-27	TRANSISTOR 2SD601A-QRS-TX		Q8606	8-729-122-63	TRANSISTOR 2SA1226-T1E4	
Q2816	8-729-422-27	TRANSISTOR 2SD601A-QRS-TX		Q8607	8-729-122-63	TRANSISTOR 2SA1226-T1E4	
Q2817	8-729-422-27	TRANSISTOR 2SD601A-QRS-TX		Q8608	8-729-122-63	TRANSISTOR 2SA1226-T1E4	
				Q8609	8-729-424-02	TRANSISTOR 2SB709A-QRS-TX	



REF. NO.	PART NO.	DESCRIPTION	VALUES			REF. NO.	PART NO.	DESCRIPTION	VALUES		
<b>RESISTOR</b>						R2846	1-216-827-11	RES-CHIP	3.3K	5%	1/10W
R2801	1-218-867-11	RES-CHIP	6.8K	5%	1/10W	R2847	1-216-809-11	RES-CHIP	100	5%	1/10W
R2803	1-216-829-11	RES-CHIP	4.7K	5%	1/10W	R2848	1-216-825-11	RES-CHIP	2.2K	5%	1/10W
R2804	1-216-805-11	RES-CHIP	47	5%	1/10W	R2849	1-216-833-11	RES-CHIP	10K	5%	1/10W
R2805	1-216-822-11	RES-CHIP	1.2K	5%	1/10W	R2850	1-216-809-11	RES-CHIP	100	5%	1/10W
R2806	1-216-863-11	RES-CHIP	3.3M	5%	1/10W	R2851	1-216-815-11	RES-CHIP	330	5%	1/10W
R2807	1-216-809-11	RES-CHIP	100	5%	1/10W	R2854	1-216-864-11	SHORT CHIP	0		
R2808	1-216-826-11	RES-CHIP	2.7K	5%	1/10W	R2858	1-218-716-11	METAL CHIP	10K	0.50%	1/16W
R2809	1-216-829-11	RES-CHIP	4.7K	5%	1/10W	R2860	1-216-833-11	RES-CHIP	10K	5%	1/10W
R2810	1-216-829-11	RES-CHIP	4.7K	5%	1/10W	R2861	1-216-833-11	RES-CHIP	10K	5%	1/10W
R2811	1-216-809-11	RES-CHIP	100	5%	1/10W	R2862	1-216-809-11	RES-CHIP	100	5%	1/10W
R2812	1-218-708-11	METAL CHIP	4.7K	0.50%	1/16W	R2863	1-216-823-11	RES-CHIP	1.5K	5%	1/10W
R2813	1-216-829-11	RES-CHIP	4.7K	5%	1/10W	R2864	1-216-825-11	RES-CHIP	2.2K	5%	1/10W
R2814	1-216-829-11	RES-CHIP	4.7K	5%	1/10W	R2865	1-216-825-11	RES-CHIP	2.2K	5%	1/10W
R2816	1-216-845-11	RES-CHIP	100K	5%	1/10W	R2866	1-216-825-11	RES-CHIP	2.2K	5%	1/10W
R2817	1-216-809-11	RES-CHIP	100	5%	1/10W	R2867	1-216-825-11	RES-CHIP	2.2K	5%	1/10W
R2818	1-216-809-11	RES-CHIP	100	5%	1/10W	R2868	1-216-809-11	RES-CHIP	100	5%	1/10W
R2819	1-216-809-11	RES-CHIP	100	5%	1/10W	R2869	1-216-809-11	RES-CHIP	100	5%	1/10W
R2820	1-216-809-11	RES-CHIP	100	5%	1/10W	R2870	1-216-809-11	RES-CHIP	100	5%	1/10W
R2821	1-216-809-11	RES-CHIP	100	5%	1/10W	R2871	1-216-821-11	RES-CHIP	1K	5%	1/10W
R2823	1-216-841-11	RES-CHIP	47K	5%	1/10W	R2872	1-216-821-11	RES-CHIP	1K	5%	1/10W
R2824	1-216-809-11	RES-CHIP	100	5%	1/10W	R2873	1-216-821-11	RES-CHIP	1K	5%	1/10W
R2825	1-216-841-11	RES-CHIP	47K	5%	1/10W	R2874	1-216-864-11	SHORT CHIP	0		
R2826	1-218-716-11	METAL CHIP	10K	0.50%	1/16W	R2875	1-216-864-11	SHORT CHIP	0		
R2827	1-216-829-11	RES-CHIP	4.7K	5%	1/10W	R2876	1-216-864-11	SHORT CHIP	0		
R2828	1-216-832-11	RES-CHIP	8.2K	5%	1/10W	R2878	1-216-821-11	RES-CHIP	1K	5%	1/10W
R2829	1-216-825-11	RES-CHIP	2.2K	5%	1/10W	R2879	1-216-853-11	RES-CHIP	470K	5%	1/10W
R2830	1-216-818-11	RES-CHIP	560	5%	1/10W	R2880	1-216-822-11	RES-CHIP	1.2K	5%	1/10W
R2831	1-216-825-11	RES-CHIP	2.2K	5%	1/10W	R2881	1-216-822-11	RES-CHIP	1.2K	5%	1/10W
R2832	1-216-809-11	RES-CHIP	100	5%	1/10W	R2882	1-216-822-11	RES-CHIP	1.2K	5%	1/10W
R2833	1-216-809-11	RES-CHIP	100	5%	1/10W	R2883	1-216-825-11	RES-CHIP	2.2K	5%	1/10W
R2834	1-216-809-11	RES-CHIP	100	5%	1/10W	R2884	1-216-825-11	RES-CHIP	2.2K	5%	1/10W
R2835	1-216-809-11	RES-CHIP	100	5%	1/10W	R2885	1-216-825-11	RES-CHIP	2.2K	5%	1/10W
R2836	1-216-809-11	RES-CHIP	100	5%	1/10W	R2886	1-216-825-11	RES-CHIP	2.2K	5%	1/10W
R2837	1-216-809-11	RES-CHIP	100	5%	1/10W	R2887	1-216-825-11	RES-CHIP	2.2K	5%	1/10W
R2838	1-216-809-11	RES-CHIP	100	5%	1/10W	R2889	1-216-825-11	RES-CHIP	2.2K	5%	1/10W
R2839	1-216-809-11	RES-CHIP	100	5%	1/10W	R2890	1-216-825-11	RES-CHIP	2.2K	5%	1/10W
R2840	1-216-809-11	RES-CHIP	100	5%	1/10W	R2891	1-216-825-11	RES-CHIP	2.2K	5%	1/10W
R2841	1-216-809-11	RES-CHIP	100	5%	1/10W	R2892	1-216-825-11	RES-CHIP	2.2K	5%	1/10W
R2842	1-216-809-11	RES-CHIP	100	5%	1/10W	R2893	1-216-825-11	RES-CHIP	2.2K	5%	1/10W
R2843	1-216-809-11	RES-CHIP	100	5%	1/10W	R2894	1-216-825-11	RES-CHIP	2.2K	5%	1/10W
R2844	1-216-826-11	RES-CHIP	2.7K	5%	1/10W	R2895	1-216-825-11	RES-CHIP	2.2K	5%	1/10W
R2845	1-216-809-11	RES-CHIP	100	5%	1/10W	R2896	1-216-825-11	RES-CHIP	2.2K	5%	1/10W
						R2897	1-216-825-11	RES-CHIP	2.2K	5%	1/10W



REF. NO.	PART NO.	DESCRIPTION	VALUES			REF. NO.	PART NO.	DESCRIPTION	VALUES		
R2898	1-216-825-11	RES-CHIP	2.2K	5%	1/10W	R3066	1-216-809-11	RES-CHIP	100	5%	1/10W
R2900	1-216-829-11	RES-CHIP	4.7K	5%	1/10W	R3068	1-216-825-11	RES-CHIP	2.2K	5%	1/10W
R2901	1-216-829-11	RES-CHIP	4.7K	5%	1/10W	R3069	1-216-820-11	RES-CHIP	820	5%	1/10W
R2902	1-216-829-11	RES-CHIP	4.7K	5%	1/10W	R3070	1-216-864-11	SHORT CHIP	0		
R2905	1-216-864-11	SHORT CHIP	0			R3071	1-216-821-11	RES-CHIP	1K	5%	1/10W
R2907	1-216-803-11	RES-CHIP	33	5%	1/10W	R3072	1-216-855-11	RES-CHIP	680K	5%	1/10W
R2908	1-216-803-11	RES-CHIP	33	5%	1/10W	R3073	1-216-855-11	RES-CHIP	680K	5%	1/10W
R2909	1-216-803-11	RES-CHIP	33	5%	1/10W	R3074	1-218-704-11	METAL CHIP	3.3K	0.50%	1/16W
R2910	1-216-864-11	SHORT CHIP	0			R3075	1-216-801-11	RES-CHIP	22	5%	1/10W
R2913	1-216-864-11	SHORT CHIP	0			R3076	1-216-864-11	SHORT CHIP	0		
R2920	1-216-864-11	SHORT CHIP	0			R3077	1-216-841-11	RES-CHIP	47K	5%	1/10W
R2922	1-216-864-11	SHORT CHIP	0			R3078	1-216-815-11	RES-CHIP	330	5%	1/10W
R2923	1-218-708-11	METAL CHIP	4.7K	0.50%	1/16W	R3079	1-216-815-11	RES-CHIP	330	5%	1/10W
R2924	1-218-708-11	METAL CHIP	4.7K	0.50%	1/16W	R3089	1-216-864-11	SHORT CHIP	0		
R2925	1-218-708-11	METAL CHIP	4.7K	0.50%	1/16W	R3091	1-216-825-11	RES-CHIP	2.2K	5%	1/10W
R3002	1-216-864-11	SHORT CHIP	0			R3092	1-216-825-11	RES-CHIP	2.2K	5%	1/10W
R3004	1-216-864-11	SHORT CHIP	0			R3093	1-216-864-11	SHORT CHIP	0		
R3005	1-216-864-11	SHORT CHIP	0			R3095	1-216-845-11	RES-CHIP	100K	5%	1/10W
R3013	1-216-809-11	RES-CHIP	100	5%	1/10W	R3096	1-216-817-11	RES-CHIP	470	5%	1/10W
R3014	1-216-809-11	RES-CHIP	100	5%	1/10W	R3097	1-216-845-11	RES-CHIP	100K	5%	1/10W
R3015	1-216-809-11	RES-CHIP	100	5%	1/10W	R3098	1-216-805-11	RES-CHIP	47	5%	1/10W
R3017	1-216-825-11	RES-CHIP	2.2K	5%	1/10W	R3099	1-216-805-11	RES-CHIP	47	5%	1/10W
R3020	1-216-827-11	RES-CHIP	3.3K	5%	1/10W	R3102	1-216-809-11	RES-CHIP	100	5%	1/10W
R3021	1-216-809-11	RES-CHIP	100	5%	1/10W	R3103	1-216-809-11	RES-CHIP	100	5%	1/10W
R3022	1-216-809-11	RES-CHIP	100	5%	1/10W	R3104	1-216-809-11	RES-CHIP	100	5%	1/10W
R3023	1-216-833-11	RES-CHIP	10K	5%	1/10W	R3105	1-216-809-11	RES-CHIP	100	5%	1/10W
R3025	1-216-833-11	RES-CHIP	10K	5%	1/10W	R3107	1-216-864-11	SHORT CHIP	0		
R3026	1-216-833-11	RES-CHIP	10K	5%	1/10W	R3108	1-216-833-11	RES-CHIP	10K	5%	1/10W
R3029	1-216-833-11	RES-CHIP	10K	5%	1/10W	R3110	1-216-809-11	RES-CHIP	100	5%	1/10W
R3030	1-216-827-11	RES-CHIP	3.3K	5%	1/10W	R3111	1-216-809-11	RES-CHIP	100	5%	1/10W
R3031	1-216-809-11	RES-CHIP	100	5%	1/10W	R3116	1-216-797-11	RES-CHIP	10	5%	1/10W
R3035	1-216-809-11	RES-CHIP	100	5%	1/10W	R3117	1-216-797-11	RES-CHIP	10	5%	1/10W
R3036	1-216-809-11	RES-CHIP	100	5%	1/10W	R3150	1-216-864-11	SHORT CHIP	0		
R3037	1-216-809-11	RES-CHIP	100	5%	1/10W	R3302	1-216-817-11	RES-CHIP	470	5%	1/10W
R3038	1-218-686-11	METAL CHIP	560	0.50%	1/16W	R3303	1-218-710-11	METAL CHIP	5.6K	0.50%	1/16W
R3039	1-218-686-11	METAL CHIP	560	0.50%	1/16W	R3304	1-216-809-11	RES-CHIP	100	5%	1/10W
R3040	1-218-686-11	METAL CHIP	560	0.50%	1/16W	R3325	1-216-864-11	SHORT CHIP	0		
R3045	1-216-809-11	RES-CHIP	100	5%	1/10W	R3335	1-216-833-11	RES-CHIP	10K	5%	1/10W
R3047	1-216-864-11	SHORT CHIP	0			R3341	1-216-813-11	RES-CHIP	220	5%	1/10W
R3049	1-216-859-11	RES-CHIP	1.5M	5%	1/10W	R3342	1-218-705-11	METAL CHIP	3.6K	0.50%	1/16W
R3050	1-216-833-11	RES-CHIP	10K	5%	1/10W	R3343	1-216-809-11	RES-CHIP	100	5%	1/10W
R3051	1-216-864-11	SHORT CHIP	0			R3344	1-216-853-11	RES-CHIP	470K	5%	1/10W
R3063	1-216-864-11	SHORT CHIP	0			R3345	1-218-704-11	METAL CHIP	3.3K	0.50%	1/16W
R3064	1-216-864-11	SHORT CHIP	0			R3346	1-216-809-11	RES-CHIP	100	5%	1/10W



REF. NO.	PART NO.	DESCRIPTION	VALUES			REF. NO.	PART NO.	DESCRIPTION	VALUES		
R3347	1-216-815-11	RES-CHIP	330	5%	1/10W	R3437	1-216-809-11	RES-CHIP	100	5%	1/10W
R3348	1-216-864-11	SHORT CHIP	0			R3438	1-216-809-11	RES-CHIP	100	5%	1/10W
R3349	1-218-687-11	METAL CHIP	620	0.50%	1/16W	R3439	1-216-809-11	RES-CHIP	100	5%	1/10W
R3350	1-216-814-11	RES-CHIP	270	5%	1/10W	R3440	1-216-809-11	RES-CHIP	100	5%	1/10W
R3351	1-216-825-11	RES-CHIP	2.2K	5%	1/10W	R3441	1-216-809-11	RES-CHIP	100	5%	1/10W
R3352	1-216-853-11	RES-CHIP	470K	5%	1/10W	R3442	1-216-833-11	RES-CHIP	10K	5%	1/10W
R3353	1-216-837-11	RES-CHIP	22K	5%	1/10W	R3445	1-216-864-11	SHORT CHIP	0		
R3354	1-216-813-11	RES-CHIP	220	5%	1/10W	R3451	1-216-809-11	RES-CHIP	100	5%	1/10W
R3355	1-216-821-11	RES-CHIP	1K	5%	1/10W	R3452	1-216-864-11	SHORT CHIP	0		
R3357	1-218-676-11	METAL CHIP	220	0.50%	1/16W	R3454	1-216-825-11	RES-CHIP	2.2K	5%	1/10W
R3358	1-218-676-11	METAL CHIP	220	0.50%	1/16W	R3457	1-216-813-11	RES-CHIP	220	5%	1/10W
R3359	1-218-676-11	METAL CHIP	220	0.50%	1/16W	R3460	1-216-833-11	RES-CHIP	10K	5%	1/10W
R3360	1-216-827-11	RES-CHIP	3.3K	5%	1/10W	R3461	1-216-833-11	RES-CHIP	10K	5%	1/10W
R3365	1-216-827-11	RES-CHIP	3.3K	5%	1/10W	R3466	1-216-813-11	RES-CHIP	220	5%	1/10W
R3367	1-216-805-11	RES-CHIP	47	5%	1/10W	R3468	1-216-864-11	SHORT CHIP	0		
R3368	1-216-864-11	SHORT CHIP	0			R3469	1-216-864-11	SHORT CHIP	0		
R3370	1-216-833-11	RES-CHIP	10K	5%	1/10W	R3470	1-216-809-11	RES-CHIP	100	5%	1/10W
R3371	1-218-686-11	METAL CHIP	560	0.50%	1/16W	R3473	1-216-864-11	SHORT CHIP	0		
R3372	1-216-817-11	RES-CHIP	470	5%	1/10W	R3475	1-216-809-11	RES-CHIP	100	5%	1/10W
R3373	1-216-817-11	RES-CHIP	470	5%	1/10W	R3480	1-216-809-11	RES-CHIP	100	5%	1/10W
R3374	1-216-809-11	RES-CHIP	100	5%	1/10W	R3489	1-216-864-11	SHORT CHIP	0		
R3375	1-218-686-11	METAL CHIP	560	0.50%	1/16W	R3490	1-216-864-11	SHORT CHIP	0		
R3376	1-218-710-11	METAL CHIP	5.6K	0.50%	1/16W	R3494	1-216-813-11	RES-CHIP	220	5%	1/10W
R3377	1-216-817-11	RES-CHIP	470	5%	1/10W	R3497	1-216-829-11	RES-CHIP	4.7K	5%	1/10W
R3378	1-216-817-11	RES-CHIP	470	5%	1/10W	R3498	1-216-818-11	RES-CHIP	560	5%	1/10W
R3379	1-216-809-11	RES-CHIP	100	5%	1/10W	R3507	1-216-821-11	RES-CHIP	1K	5%	1/10W
R3380	1-218-686-11	METAL CHIP	560	0.50%	1/16W	R3508	1-216-821-11	RES-CHIP	1K	5%	1/10W
R3381	1-218-710-11	METAL CHIP	5.6K	0.50%	1/16W	R3509	1-216-821-11	RES-CHIP	1K	5%	1/10W
R3383	1-216-817-11	RES-CHIP	470	5%	1/10W	R3510	1-216-821-11	RES-CHIP	1K	5%	1/10W
R3395	1-216-864-11	SHORT CHIP	0			R3511	1-216-821-11	RES-CHIP	1K	5%	1/10W
R3396	1-216-864-11	SHORT CHIP	0			R3512	1-216-821-11	RES-CHIP	1K	5%	1/10W
R3400	1-216-864-11	SHORT CHIP	0			R3533	1-216-809-11	RES-CHIP	100	5%	1/10W
R3401	1-216-864-11	SHORT CHIP	0			R3534	1-216-809-11	RES-CHIP	100	5%	1/10W
R3406	1-216-833-11	RES-CHIP	10K	5%	1/10W	R3535	1-216-809-11	RES-CHIP	100	5%	1/10W
R3407	1-216-864-11	SHORT CHIP	0			R3536	1-216-833-11	RES-CHIP	10K	5%	1/10W
R3409	1-216-864-11	SHORT CHIP	0			R3537	1-216-833-11	RES-CHIP	10K	5%	1/10W
R3410	1-216-833-11	RES-CHIP	10K	5%	1/10W	R3538	1-216-864-11	SHORT CHIP	0		
R3411	1-216-797-11	RES-CHIP	10	5%	1/10W	R3539	1-216-864-11	SHORT CHIP	0		
R3421	1-216-864-11	SHORT CHIP	0			R3540	1-216-864-11	SHORT CHIP	0		
R3422	1-216-864-11	SHORT CHIP	0			R3541	1-216-864-11	SHORT CHIP	0		
R3425	1-216-864-11	SHORT CHIP	0			R3542	1-216-864-11	SHORT CHIP	0		
R3428	1-469-094-21	FERRITE	0μH			R3575	1-216-864-11	SHORT CHIP	0		
R3435	1-216-809-11	RES-CHIP	100	5%	1/10W	R3601	1-216-864-11	SHORT CHIP	0		
R3436	1-216-809-11	RES-CHIP	100	5%	1/10W	R3602	1-216-864-11	SHORT CHIP	0		





REF. NO.	PART NO.	DESCRIPTION	VALUES			REF. NO.	PART NO.	DESCRIPTION	VALUES		
R3603	1-216-864-11	SHORT CHIP	0			R3863	1-218-700-11	METAL CHIP	2.2K	0.50%	1/16W
R3604	1-216-864-11	SHORT CHIP	0			R3864	1-216-827-11	RES-CHIP	3.3K	5%	1/10W
R3605	1-216-864-11	SHORT CHIP	0			R3865	1-216-809-11	RES-CHIP	100	5%	1/10W
R3606	1-216-864-11	SHORT CHIP	0			R3866	1-414-234-22	FERRITE	0μH		
R3607	1-216-864-11	SHORT CHIP	0			R3867	1-414-234-22	FERRITE	0μH		
R3608	1-216-864-11	SHORT CHIP	0			R3868	1-414-234-22	FERRITE	0μH		
R3609	1-216-864-11	SHORT CHIP	0			R3881	1-216-807-11	RES-CHIP	68	5%	1/10W
R3610	1-216-833-11	RES-CHIP	10K	5%	1/10W	R3882	1-216-807-11	RES-CHIP	68	5%	1/10W
R3611	1-216-833-11	RES-CHIP	10K	5%	1/10W	R3883	1-216-807-11	RES-CHIP	68	5%	1/10W
R3612	1-216-845-11	RES-CHIP	100K	5%	1/10W	R3911	1-216-821-11	RES-CHIP	1K	5%	1/10W
R3613	1-216-801-11	RES-CHIP	22	5%	1/10W	R3917	1-216-809-11	RES-CHIP	100	5%	1/10W
R3614	1-216-827-11	RES-CHIP	3.3K	5%	1/10W	R3928	1-216-833-11	RES-CHIP	10K	5%	1/10W
R3615	1-218-867-11	RES-CHIP	6.8K	5%	1/10W	R3933	1-216-864-11	SHORT CHIP	0		
R3616	1-216-809-11	RES-CHIP	100	5%	1/10W	R3956	1-216-825-11	RES-CHIP	2.2K	5%	1/10W
R3617	1-216-833-11	RES-CHIP	10K	5%	1/10W	R3957	1-216-825-11	RES-CHIP	2.2K	5%	1/10W
R3800	1-216-864-11	SHORT CHIP	0			R3958	1-216-825-11	RES-CHIP	2.2K	5%	1/10W
R3811	1-216-809-11	RES-CHIP	100	5%	1/10W	R3973	1-216-809-11	RES-CHIP	100	5%	1/10W
R3812	1-216-809-11	RES-CHIP	100	5%	1/10W	R3974	1-216-833-11	RES-CHIP	10K	5%	1/10W
R3813	1-216-809-11	RES-CHIP	100	5%	1/10W	R3984	1-218-644-11	METAL CHIP	10	0.50%	1/16W
R3820	1-218-684-11	METAL CHIP	470	0.50%	1/16W	R3985	1-218-644-11	METAL CHIP	10	0.50%	1/16W
R3821	1-218-684-11	METAL CHIP	470	0.50%	1/16W	R3986	1-218-644-11	METAL CHIP	10	0.50%	1/16W
R3822	1-218-684-11	METAL CHIP	470	0.50%	1/16W	R8606	1-216-819-11	RES-CHIP	680	5%	1/10W
R3823	1-216-826-11	RES-CHIP	2.7K	5%	1/10W	R8607	1-216-819-11	RES-CHIP	680	5%	1/10W
R3824	1-216-826-11	RES-CHIP	2.7K	5%	1/10W	R8608	1-216-819-11	RES-CHIP	680	5%	1/10W
R3825	1-216-826-11	RES-CHIP	2.7K	5%	1/10W	R8609	1-216-809-11	RES-CHIP	100	5%	1/10W
R3826	1-216-809-11	RES-CHIP	100	5%	1/10W	R8610	1-216-809-11	RES-CHIP	100	5%	1/10W
R3828	1-218-682-11	METAL CHIP	390	0.50%	1/16W	R8611	1-216-809-11	RES-CHIP	100	5%	1/10W
R3829	1-218-682-11	METAL CHIP	390	0.50%	1/16W	R8612	1-216-820-11	RES-CHIP	820	5%	1/10W
R3830	1-218-682-11	METAL CHIP	390	0.50%	1/16W	R8613	1-216-820-11	RES-CHIP	820	5%	1/10W
R3831	1-216-864-11	SHORT CHIP	0			R8614	1-216-820-11	RES-CHIP	820	5%	1/10W
R3832	1-216-864-11	SHORT CHIP	0			R8615	1-216-809-11	RES-CHIP	100	5%	1/10W
R3833	1-216-864-11	SHORT CHIP	0			R8616	1-216-809-11	RES-CHIP	100	5%	1/10W
R3840	1-216-805-11	RES-CHIP	47	5%	1/10W	R8617	1-216-809-11	RES-CHIP	100	5%	1/10W
R3846	1-216-801-11	RES-CHIP	22	5%	1/10W	R8618	1-218-679-11	METAL CHIP	300	0.50%	1/16W
R3847	1-216-801-11	RES-CHIP	22	5%	1/10W	R8619	1-218-679-11	METAL CHIP	300	0.50%	1/16W
R3848	1-216-825-11	RES-CHIP	2.2K	5%	1/10W	R8620	1-218-675-11	METAL CHIP	200	0.50%	1/16W
R3849	1-218-675-11	METAL CHIP	200	0.50%	1/16W	R8621	1-216-821-11	RES-CHIP	1K	5%	1/10W
R3850	1-218-675-11	METAL CHIP	200	0.50%	1/16W	R8622	1-218-679-11	METAL CHIP	300	0.50%	1/16W
R3851	1-216-809-11	RES-CHIP	100	5%	1/10W	R8623	1-218-679-11	METAL CHIP	300	0.50%	1/16W
R3852	1-218-675-11	METAL CHIP	200	0.50%	1/16W	R8624	1-218-675-11	METAL CHIP	200	0.50%	1/16W
R3854	1-216-825-11	RES-CHIP	2.2K	5%	1/10W	R8625	1-216-821-11	RES-CHIP	1K	5%	1/10W
R3857	1-216-809-11	RES-CHIP	100	5%	1/10W	R8626	1-216-809-11	RES-CHIP	100	5%	1/10W
R3858	1-218-704-11	METAL CHIP	3.3K	0.50%	1/16W	R8627	1-216-809-11	RES-CHIP	100	5%	1/10W
R3862	1-216-825-11	RES-CHIP	2.2K	5%	1/10W	R8628	1-216-809-11	RES-CHIP	100	5%	1/10W





REF. NO.	PART NO.	DESCRIPTION	VALUES			REF. NO.	PART NO.	DESCRIPTION	VALUES		
R8629	1-216-823-11	RES-CHIP	1.5K	5%	1/10W	RB3402	1-234-524-21	RES, CHIP NETWORK	33		
R8630	1-216-823-11	RES-CHIP	1.5K	5%	1/10W	RB3403	1-234-524-21	RES, CHIP NETWORK	33		
R8631	1-216-823-11	RES-CHIP	1.5K	5%	1/10W	RB3404	1-234-524-21	RES, CHIP NETWORK	33		
R8632	1-216-821-11	RES-CHIP	1K	5%	1/10W	RB3405	1-234-524-21	RES, CHIP NETWORK	33		
R8636	1-216-821-11	RES-CHIP	1K	5%	1/10W	RB3406	1-234-524-21	RES, CHIP NETWORK	33		
R8637	1-216-821-11	RES-CHIP	1K	5%	1/10W	RB3407	1-239-409-11	RES, CHIP NETWORK	47	-3216	
R8638	1-216-821-11	RES-CHIP	1K	5%	1/10W	RB3408	1-239-409-11	RES, CHIP NETWORK	47	-3216	
R8639	1-218-704-11	METAL CHIP	3.3K	0.50%	1/16W	RB3409	1-239-409-11	RES, CHIP NETWORK	47	-3216	
R8641	1-216-821-11	RES-CHIP	1K	5%	1/10W	RB3410	1-239-409-11	RES, CHIP NETWORK	47	-3216	
R8642	1-218-703-11	METAL CHIP	3K	0.50%	1/16W	RB3411	1-239-409-11	RES, CHIP NETWORK	47	-3216	
R8643	1-216-821-11	RES-CHIP	1K	5%	1/10W	RB3412	1-239-409-11	RES, CHIP NETWORK	47	-3216	
R8645	1-216-821-11	RES-CHIP	1K	5%	1/10W	RB3421	1-233-576-11	RES, CHIP NETWORK	100		
R8646	1-216-821-11	RES-CHIP	1K	5%	1/10W	RB3422	1-233-576-11	RES, CHIP NETWORK	100		
R8647	1-216-833-11	RES-CHIP	10K	5%	1/10W	RB3423	1-233-576-11	RES, CHIP NETWORK	100		
R8648	1-216-830-11	RES-CHIP	5.6K	5%	1/10W	RB3424	1-233-576-11	RES, CHIP NETWORK	100		
R8650	1-216-833-11	RES-CHIP	10K	5%	1/10W	RB3425	1-233-576-11	RES, CHIP NETWORK	100		
R8651	1-216-801-11	RES-CHIP	22	5%	1/10W	RB3426	1-233-576-11	RES, CHIP NETWORK	100		
R8652	1-216-833-11	RES-CHIP	10K	5%	1/10W	RB3427	1-233-576-11	RES, CHIP NETWORK	100		
R8653	1-216-833-11	RES-CHIP	10K	5%	1/10W	RB3428	1-233-576-11	RES, CHIP NETWORK	100		
R8654	1-216-864-11	SHORT CHIP	0			RB3436	1-234-523-21	RES, CHIP NETWORK	0	-3216	
R8655	1-216-864-11	SHORT CHIP	0			RB3437	1-234-523-21	RES, CHIP NETWORK	0	-3216	
<b>RESISTOR BRIDGE</b>						RB3438	1-234-523-21	RES, CHIP NETWORK	0	-3216	
RB3005	1-239-409-11	RES, CHIP NETWORK	47		-3216	RB3439	1-234-523-21	RES, CHIP NETWORK	0	-3216	
RB3006	1-239-409-11	RES, CHIP NETWORK	47		-3216	<b>CRYSTAL</b>					
RB3007	1-239-409-11	RES, CHIP NETWORK	47		-3216	X2801	1-760-895-21	VIBRATOR, CERAMIC			
RB3008	1-239-409-11	RES, CHIP NETWORK	47		-3216	X3089	1-781-945-21	VIBRATOR, CERAMIC			
RB3009	1-239-409-11	RES, CHIP NETWORK	47		-3216	X3401	1-781-887-21	VIBRATOR, CRYSTAL			
RB3010	1-239-409-11	RES, CHIP NETWORK	47		-3216	<b>MS1</b>					
RB3011	1-239-409-11	RES, CHIP NETWORK	47		-3216	<b>The MS1 board is not field repairable. If service is required, use the following part number to order a complete replacement board. Data is provided for reference only.</b>					
RB3012	1-239-409-11	RES, CHIP NETWORK	47		-3216	<b>* A-1300-408-A MS1 BOARD, COMPLETE</b>					
RB3013	1-239-409-11	RES, CHIP NETWORK	47		-3216	<b>CAPACITOR</b>					
RB3014	1-239-409-11	RES, CHIP NETWORK	47		-3216	C101	1-162-970-11	CERAMIC CHIP	0.01µF	10%	25V
RB3015	1-239-409-11	RES, CHIP NETWORK	47		-3216	C102	1-162-970-11	CERAMIC CHIP	0.01µF	10%	25V
RB3100	1-233-574-11	RES, CHIP NETWORK	10			C103	1-162-970-11	CERAMIC CHIP	0.01µF	10%	25V
RB3101	1-233-574-11	RES, CHIP NETWORK	10			C105	1-107-826-11	CERAMIC CHIP	0.1µF	10%	16V
RB3102	1-233-574-11	RES, CHIP NETWORK	10			C106	1-110-501-11	CERAMIC CHIP	0.33µF	10%	16V
RB3103	1-233-574-11	RES, CHIP NETWORK	10			C107	1-126-390-11	ELECT CHIP	22µF	20%	6.3V
RB3304	1-233-576-11	RES, CHIP NETWORK	100			C108	1-107-826-11	CERAMIC CHIP	0.1µF	10%	16V
RB3305	1-233-576-11	RES, CHIP NETWORK	100								
RB3306	1-233-576-11	RES, CHIP NETWORK	100								
RB3307	1-233-576-11	RES, CHIP NETWORK	100								
RB3401	1-234-524-21	RES, CHIP NETWORK	33								




REF. NO.	PART NO.	DESCRIPTION	VALUES			REF. NO.	PART NO.	DESCRIPTION	VALUES		
C109	1-107-826-11	CERAMIC CHIP	0.1μF	10%	16V	C158	1-124-779-00	ELECT CHIP	10μF	20%	16V
C110	1-126-394-11	ELECT CHIP	10μF	20%	16V	C159	1-107-826-11	CERAMIC CHIP	0.1μF	10%	16V
C111	1-162-970-11	CERAMIC CHIP	0.01μF	10%	25V	C160	1-162-970-11	CERAMIC CHIP	0.01μF	10%	25V
C112	1-162-970-11	CERAMIC CHIP	0.01μF	10%	25V	C161	1-107-826-11	CERAMIC CHIP	0.1μF	10%	16V
C113	1-162-916-11	CERAMIC CHIP	12pF	5%	50V	C162	1-126-394-11	ELECT CHIP	10μF	20%	16V
C114	1-162-916-11	CERAMIC CHIP	12pF	5%	50V	C163	1-126-394-11	ELECT CHIP	10μF	20%	16V
C115	1-115-416-11	CERAMIC CHIP	0.001μF	5%	25V	C165	1-124-779-00	ELECT CHIP	10μF	20%	16V
C116	1-115-416-11	CERAMIC CHIP	0.001μF	5%	25V	C166	1-162-970-11	CERAMIC CHIP	0.01μF	10%	25V
C117	1-162-970-11	CERAMIC CHIP	0.01μF	10%	25V	C167	1-162-970-11	CERAMIC CHIP	0.01μF	10%	25V
C118	1-107-826-11	CERAMIC CHIP	0.1μF	10%	16V	C168	1-164-156-11	CERAMIC CHIP	0.1μF		25V
C119	1-216-864-11	SHORT CHIP	0			C169	1-124-779-00	ELECT CHIP	10μF	20%	16V
C121	1-216-821-11	RES-CHIP	1K	5%	1/10W	C185	1-107-826-11	CERAMIC CHIP	0.1μF	10%	16V
C123	1-162-970-11	CERAMIC CHIP	0.01μF	10%	25V	<b>CONNECTOR</b>					
C124	1-107-826-11	CERAMIC CHIP	0.1μF	10%	16V	CN104	1-816-068-21	CONNECTOR, BOARD TO BOARD 60P			
C125	1-128-934-91	CERAMIC CHIP	0.33μF	20%	10V	<b>DIODE</b>					
C127	1-107-826-11	CERAMIC CHIP	0.1μF	10%	16V	D102	8-719-024-79	DIODE HN2D01FU-TE85R			
C128	1-162-970-11	CERAMIC CHIP	0.01μF	10%	25V	D103	8-719-024-79	DIODE HN2D01FU-TE85R			
C129	1-162-970-11	CERAMIC CHIP	0.01μF	10%	25V	D104	8-719-024-79	DIODE HN2D01FU-TE85R			
C130	1-162-970-11	CERAMIC CHIP	0.01μF	10%	25V	D105	8-719-024-79	DIODE HN2D01FU-TE85R			
C131	1-162-970-11	CERAMIC CHIP	0.01μF	10%	25V	D106	8-719-024-79	DIODE HN2D01FU-TE85R			
C132	1-162-970-11	CERAMIC CHIP	0.01μF	10%	25V	<b>FERRITE BEAD</b>					
C133	1-162-970-11	CERAMIC CHIP	0.01μF	10%	25V	FB101	1-414-921-11	FERRITE	0μH		
C134	1-162-970-11	CERAMIC CHIP	0.01μF	10%	25V	FB102	1-414-921-11	FERRITE	0μH		
C135	1-162-970-11	CERAMIC CHIP	0.01μF	10%	25V	FB103	1-414-921-11	FERRITE	0μH		
C136	1-107-826-11	CERAMIC CHIP	0.1μF	10%	16V	FB104	1-414-921-11	FERRITE	0μH		
C137	1-107-826-11	CERAMIC CHIP	0.1μF	10%	16V	FB105	1-414-921-11	FERRITE	0μH		
C138	1-107-826-11	CERAMIC CHIP	0.1μF	10%	16V	FB106	1-500-451-11	FERRITE	0μH		
C139	1-107-826-11	CERAMIC CHIP	0.1μF	10%	16V	FB107	1-414-921-11	FERRITE	0μH		
C140	1-126-390-11	ELECT CHIP	22μF	20%	6.3V	FB108	1-414-921-11	FERRITE	0μH		
C141	1-162-970-11	CERAMIC CHIP	0.01μF	10%	25V	FB109	1-414-921-11	FERRITE	0μH		
C142	1-162-970-11	CERAMIC CHIP	0.01μF	10%	25V	FB110	1-414-921-11	FERRITE	0μH		
C143	1-162-970-11	CERAMIC CHIP	0.01μF	10%	25V	FB111	1-414-921-11	FERRITE	0μH		
C144	1-162-970-11	CERAMIC CHIP	0.01μF	10%	25V	FB112	1-414-228-11	FERRITE	0μH		
C145	1-162-970-11	CERAMIC CHIP	0.01μF	10%	25V	FB120	1-414-921-11	FERRITE	0μH		
C146	1-162-970-11	CERAMIC CHIP	0.01μF	10%	25V	FB121	1-414-921-11	FERRITE	0μH		
C147	1-162-970-11	CERAMIC CHIP	0.01μF	10%	25V	FB122	1-414-921-11	FERRITE	0μH		
C148	1-107-826-11	CERAMIC CHIP	0.1μF	10%	16V	FB123	1-414-921-11	FERRITE	0μH		
C149	1-162-970-11	CERAMIC CHIP	0.01μF	10%	25V	FB124	1-414-921-11	FERRITE	0μH		
C150	1-162-970-11	CERAMIC CHIP	0.01μF	10%	25V	FB125	1-414-921-11	FERRITE	0μH		
C151	1-107-826-11	CERAMIC CHIP	0.1μF	10%	16V	FB126	1-414-921-11	FERRITE	0μH		
C152	1-107-826-11	CERAMIC CHIP	0.1μF	10%	16V	FB137	1-414-921-11	FERRITE	0μH		
C153	1-107-826-11	CERAMIC CHIP	0.1μF	10%	16V						
C154	1-107-826-11	CERAMIC CHIP	0.1μF	10%	16V						

**MS1**

NOTE: The components identified by shading and  mark are critical for safety. Replace only with part number specified.


NOTE: Les composants identifiés par un trame et une  sont critiques pour la sécurité. Ne les remplacer que par une pièce portant le numéro spécifique.


REF. NO.	PART NO.	DESCRIPTION	VALUES	REF. NO.	PART NO.	DESCRIPTION	VALUES
FB138	1-414-921-11	FERRITE	0μH				
FB139	1-414-921-11	FERRITE	0μH				
FB140	1-216-864-11	SHORT CHIP	0				
FB141	1-414-921-11	FERRITE	0μH				
FB142	1-216-864-11	SHORT CHIP	0				
FB143	1-414-921-11	FERRITE	0μH				
FB144	1-216-864-11	SHORT CHIP	0				
FB145	1-216-864-11	SHORT CHIP	0				
FB146	1-216-864-11	SHORT CHIP	0				
FB147	1-216-864-11	SHORT CHIP	0				
FB148	1-216-864-11	SHORT CHIP	0				
FB149	1-414-921-11	FERRITE	0μH				
FB152	1-216-864-11	SHORT CHIP	0				
FB153	1-216-864-11	SHORT CHIP	0				
FB154	1-216-864-11	SHORT CHIP	0				
FB155	1-216-864-11	SHORT CHIP	0				
	<b>IC</b>						
IC101	6-700-921-01	IC MD2305F					
 IC102	6-801-874-11	IC SST39VF800A70-11124-T					
IC103	6-701-043-11	IC HM62V16256CLTT-5SLZ					
IC104	8-759-460-72	IC BA033FP-E2					
IC105	8-759-584-32	IC MB86189pFV-G-BND-ER					
IC106	8-759-661-55	IC 24LC21AT/SN					
IC108	6-702-511-01	IC MT48LC8M16A2TG-75-Y95W					
IC109	6-702-038-01	IC PST3628NL					
IC110	6-800-922-01	IC ISPLSI2032VE-110LT44/10921					
IC115	8-759-698-31	IC TC7WH74FK(TE85R)					
IC119	8-759-592-50	IC TC7SZ126FU(TE85R)					
IC120	8-759-592-50	IC TC7SZ126FU(TE85R)					
IC121	8-752-927-18	IC CXP85112B-679Q					
IC122	8-759-349-11	IC PST9145NL					
IC126	8-759-058-58	IC TC7S04FU(TE85R)					
	<b>COIL</b>						
L106	1-469-555-21	INDUCTOR	10μH				
L107	1-469-561-21	INDUCTOR	100μH				
	<b>TRANSISTOR</b>						
Q101	8-729-013-28	TRANSISTOR HN1B01FU-TE85R					
Q103	8-729-013-28	TRANSISTOR HN1B01FU-TE85R					
Q104	8-729-013-28	TRANSISTOR HN1B01FU-TE85R					
Q105	8-729-427-72	TRANSISTOR HN1C01FU-TE85R					
Q110	8-729-900-53	TRANSISTOR DTC114EKA-T146					
Q116	8-729-900-53	TRANSISTOR DTC114EKA-T146					
				<b>RESISTOR</b>			
				R101	1-216-797-11	RES-CHIP	10 5% 1/10W
				R102	1-216-797-11	RES-CHIP	10 5% 1/10W
				R103	1-216-797-11	RES-CHIP	10 5% 1/10W
				R104	1-216-864-11	SHORT CHIP	0
				R105	1-216-864-11	SHORT CHIP	0
				R106	1-216-864-11	SHORT CHIP	0
				R107	1-216-864-11	SHORT CHIP	0
				R108	1-216-833-11	RES-CHIP	10K 5% 1/10W
				R109	1-216-864-11	SHORT CHIP	0
				R110	1-216-833-11	RES-CHIP	10K 5% 1/10W
				R111	1-216-833-11	RES-CHIP	10K 5% 1/10W
				R112	1-216-833-11	RES-CHIP	10K 5% 1/10W
				R113	1-216-833-11	RES-CHIP	10K 5% 1/10W
				R114	1-216-864-11	SHORT CHIP	0
				R115	1-216-845-11	RES-CHIP	100K 5% 1/10W
				R116	1-216-845-11	RES-CHIP	100K 5% 1/10W
				R117	1-216-864-11	SHORT CHIP	0
				R118	1-216-845-11	RES-CHIP	100K 5% 1/10W
				R119	1-216-845-11	RES-CHIP	100K 5% 1/10W
				R120	1-216-845-11	RES-CHIP	100K 5% 1/10W
				R121	1-216-864-11	SHORT CHIP	0
				R122	1-216-833-11	RES-CHIP	10K 5% 1/10W
				R123	1-216-833-11	RES-CHIP	10K 5% 1/10W
				R126	1-216-821-11	RES-CHIP	1K 5% 1/10W
				R127	1-216-833-11	RES-CHIP	10K 5% 1/10W
				R128	1-216-864-11	SHORT CHIP	0
				R130	1-216-845-11	RES-CHIP	100K 5% 1/10W
				R131	1-216-821-11	RES-CHIP	1K 5% 1/10W
				R132	1-216-827-11	RES-CHIP	3.3K 5% 1/10W
				R133	1-218-867-11	RES-CHIP	6.8K 5% 1/10W
				R134	1-216-833-11	RES-CHIP	10K 5% 1/10W
				R135	1-216-833-11	RES-CHIP	10K 5% 1/10W
				R136	1-216-809-11	RES-CHIP	100 5% 1/10W
				R138	1-216-833-11	RES-CHIP	10K 5% 1/10W
				R140	1-216-833-11	RES-CHIP	10K 5% 1/10W
				R141	1-216-864-11	SHORT CHIP	0
				R142	1-216-864-11	SHORT CHIP	0
				R143	1-216-833-11	RES-CHIP	10K 5% 1/10W
				R144	1-216-809-11	RES-CHIP	100 5% 1/10W
				R145	1-216-809-11	RES-CHIP	100 5% 1/10W
				R146	1-216-829-11	RES-CHIP	4.7K 5% 1/10W
				R147	1-216-864-11	SHORT CHIP	0






REF. NO.	PART NO.	DESCRIPTION	VALUES			REF. NO.	PART NO.	DESCRIPTION	VALUES		
R148	1-216-839-11	RES-CHIP	33K	5%	1/10W	R208	1-216-801-11	RES-CHIP	22	5%	1/10W
R149	1-216-839-11	RES-CHIP	33K	5%	1/10W	R209	1-216-809-11	RES-CHIP	100	5%	1/10W
R152	1-216-833-11	RES-CHIP	10K	5%	1/10W	R213	1-218-830-11	METAL CHIP	200	0.50%	1/10W
R153	1-216-829-11	RES-CHIP	4.7K	5%	1/10W	R216	1-216-864-11	SHORT CHIP	0		
R154	1-216-864-11	SHORT CHIP	0			R217	1-216-833-11	RES-CHIP	10K	5%	1/10W
R155	1-216-864-11	SHORT CHIP	0			R218	1-216-825-11	RES-CHIP	2.2K	5%	1/10W
R156	1-216-845-11	RES-CHIP	100K	5%	1/10W	R219	1-216-833-11	RES-CHIP	10K	5%	1/10W
R157	1-216-809-11	RES-CHIP	100	5%	1/10W	R220	1-216-864-11	SHORT CHIP	0		
R158	1-216-864-11	SHORT CHIP	0			R221	1-216-809-11	RES-CHIP	100	5%	1/10W
R159	1-216-833-11	RES-CHIP	10K	5%	1/10W	R222	1-216-809-11	RES-CHIP	100	5%	1/10W
R160	1-216-833-11	RES-CHIP	10K	5%	1/10W	R224	1-216-833-11	RES-CHIP	10K	5%	1/10W
R161	1-216-801-11	RES-CHIP	22	5%	1/10W	R225	1-216-833-11	RES-CHIP	10K	5%	1/10W
R162	1-216-809-11	RES-CHIP	100	5%	1/10W	R226	1-216-833-11	RES-CHIP	10K	5%	1/10W
R163	1-216-809-11	RES-CHIP	100	5%	1/10W	R230	1-216-833-11	RES-CHIP	10K	5%	1/10W
R164	1-216-833-11	RES-CHIP	10K	5%	1/10W	R231	1-216-864-11	SHORT CHIP	0		
R166	1-216-864-11	SHORT CHIP	0			R233	1-216-833-11	RES-CHIP	10K	5%	1/10W
R167	1-216-809-11	RES-CHIP	100	5%	1/10W	R245	1-216-833-11	RES-CHIP	10K	5%	1/10W
R168	1-216-864-11	SHORT CHIP	0			R246	1-216-809-11	RES-CHIP	100	5%	1/10W
R169	1-216-809-11	RES-CHIP	100	5%	1/10W	R283	1-216-833-11	RES-CHIP	10K	5%	1/10W
R170	1-216-864-11	SHORT CHIP	0			R284	1-216-833-11	RES-CHIP	10K	5%	1/10W
R171	1-216-809-11	RES-CHIP	100	5%	1/10W	R286	1-216-833-11	RES-CHIP	10K	5%	1/10W
R172	1-216-864-11	SHORT CHIP	0			R287	1-216-833-11	RES-CHIP	10K	5%	1/10W
R173	1-216-801-11	RES-CHIP	22	5%	1/10W	R288	1-216-797-11	RES-CHIP	10	5%	1/10W
R174	1-216-864-11	SHORT CHIP	0			R290	1-216-797-11	RES-CHIP	10	5%	1/10W
R176	1-216-864-11	SHORT CHIP	0			R292	1-216-821-11	RES-CHIP	1K	5%	1/10W
R177	1-216-864-11	SHORT CHIP	0			R295	1-216-864-11	SHORT CHIP	0		
R178	1-216-864-11	SHORT CHIP	0			R297	1-216-833-11	RES-CHIP	10K	5%	1/10W
R180	1-216-829-11	RES-CHIP	4.7K	5%	1/10W	R9239	1-216-803-11	RES-CHIP	33	5%	1/10W
R181	1-216-833-11	RES-CHIP	10K	5%	1/10W	R9240	1-216-803-11	RES-CHIP	33	5%	1/10W
R184	1-216-809-11	RES-CHIP	100	5%	1/10W	R9242	1-216-803-11	RES-CHIP	33	5%	1/10W
R186	1-216-864-11	SHORT CHIP	0			R9243	1-216-803-11	RES-CHIP	33	5%	1/10W
R189	1-216-864-11	SHORT CHIP	0			<b>RESISTOR BRIDGE</b>					
R190	1-216-864-11	SHORT CHIP	0			RB101	1-233-810-21	RES, NETWORK	100K	-3216	
R192	1-216-833-11	RES-CHIP	10K	5%	1/10W	RB102	1-233-810-21	RES, NETWORK	100K	-3216	
R193	1-216-833-11	RES-CHIP	10K	5%	1/10W	RB103	1-233-810-21	RES, NETWORK	100K	-3216	
R195	1-216-801-11	RES-CHIP	22	5%	1/10W	RB104	1-233-810-21	RES, NETWORK	100K	-3216	
R196	1-216-809-11	RES-CHIP	100	5%	1/10W	RB105	1-233-576-11	RES, CHIP NETWORK	100		
R197	1-216-809-11	RES-CHIP	100	5%	1/10W	RB106	1-236-908-11	RES, CHIP NETWORK	10K	-3216	
R199	1-216-833-11	RES-CHIP	10K	5%	1/10W	RB107	1-233-574-11	RES, CHIP NETWORK	10		
R200	1-216-833-11	RES-CHIP	10K	5%	1/10W	RB108	1-233-574-11	RES, CHIP NETWORK	10		
R203	1-216-864-11	SHORT CHIP	0			RB109	1-233-574-11	RES, CHIP NETWORK	10		
R204	1-216-864-11	SHORT CHIP	0			RB110	1-233-574-11	RES, CHIP NETWORK	10		
R206	1-216-809-11	RES-CHIP	100	5%	1/10W						
R207	1-216-864-11	SHORT CHIP	0								

NOTE: The components identified by shading and  mark are critical for safety. Replace only with part number specified.

NOTE: Les composants identifiés par un trame et une marque  sont critiques pour la sécurité. Ne les remplacer que par une pièce portant le numéro spécifique.



REF. NO.	PART NO.	DESCRIPTION	VALUES			REF. NO.	PART NO.	DESCRIPTION	VALUES		
RB112	1-233-574-11	RES, CHIP NETWORK	10			C6516	1-104-665-11	ELECT	100µF	20%	25V
RB113	1-233-574-11	RES, CHIP NETWORK	10			C6517	1-126-933-11	ELECT	100µF	20%	16V
RB114	1-233-574-11	RES, CHIP NETWORK	10			C6521	1-126-768-11	ELECT	2200µF	20%	16V
RB115	1-233-574-11	RES, CHIP NETWORK	10			C6525	1-104-665-11	ELECT	100µF	20%	25V
RB116	1-233-574-11	RES, CHIP NETWORK	10			C6526	1-162-970-11	CERAMIC CHIP	0.01µF	10%	25V
RB117	1-233-574-11	RES, CHIP NETWORK	10			C6531	1-126-943-11	ELECT	2200µF	20%	25V
RB118	1-233-574-11	RES, CHIP NETWORK	10			C6532	1-115-781-11	ELECT	220µF	20%	25V
RB119	1-233-574-11	RES, CHIP NETWORK	10			C6534	1-104-665-11	ELECT	100µF	20%	25V
RB120	1-233-574-11	RES, CHIP NETWORK	10			C6535	1-126-943-11	ELECT	2200µF	20%	25V
RB121	1-239-409-11	RES, CHIP NETWORK	47	-3216		C6536	1-115-781-11	ELECT	220µF	20%	25V
RB122	1-239-409-11	RES, CHIP NETWORK	47	-3216		C6541	1-126-941-11	ELECT	470µF	20%	25V
RB123	1-239-409-11	RES, CHIP NETWORK	47	-3216		C6542	1-104-665-11	ELECT	100µF	20%	25V
RB124	1-239-409-11	RES, CHIP NETWORK	47	-3216		C6546	1-126-941-11	ELECT	470µF	20%	25V
RB125	1-233-574-11	RES, CHIP NETWORK	10			C6547	1-104-665-11	ELECT	100µF	20%	25V
RB126	1-233-574-11	RES, CHIP NETWORK	10			C6553	1-137-651-11	ELECT	560µF	20%	160V
RB127	1-233-574-11	RES, CHIP NETWORK	10			C6554	1-137-651-11	ELECT	560µF	20%	160V
RB128	1-233-574-11	RES, CHIP NETWORK	10			C6560	1-128-550-11	ELECT	2200µF	20%	50V
RB129	1-233-810-21	RES, NETWORK	100K	-3216		C6561	1-126-964-11	ELECT	10µF	20%	50V
RB130	1-233-810-21	RES, NETWORK	100K	-3216		C6567	1-126-947-11	ELECT	47µF	20%	25V
RB131	1-236-908-11	RES, CHIP NETWORK	10K	-3216		C6568	1-126-947-11	ELECT	47µF	20%	25V
RB132	1-236-908-11	RES, CHIP NETWORK	10K	-3216		C6569	1-104-665-11	ELECT	100µF	20%	25V
RB133	1-236-908-11	RES, CHIP NETWORK	10K	-3216		C6570	1-162-970-11	CERAMIC CHIP	0.01µF	10%	25V
RB134	1-236-908-11	RES, CHIP NETWORK	10K	-3216		C6572	1-126-933-11	ELECT	100µF	20%	16V
RB135	1-233-416-11	RES, CHIP NETWORK	22K	-3216		C6573	1-162-970-11	CERAMIC CHIP	0.01µF	10%	25V
RB136	1-233-416-11	RES, CHIP NETWORK	22K	-3216		C6575	1-126-963-11	ELECT	4.7µF	20%	50V
RB137	1-233-810-21	RES, NETWORK	100K	-3216		C6581	1-104-666-11	ELECT	220µF	20%	25V
RB138	1-233-810-21	RES, NETWORK	100K	-3216		C6702	1-161-964-91	CERAMIC	0.0047µF		250V
						C6703	1-161-964-91	CERAMIC	0.0047µF		250V
						C6704	1-100-215-11	ELECT	1800µF	20%	250V
						 C6705	1-104-706-11	MYLAR	0.22µF	20%	250V
						C6707	1-161-964-91	CERAMIC	0.0047µF		250V
						C6708	1-161-964-91	CERAMIC	0.0047µF		250V
						C6709	1-164-645-11	CERAMIC	1000pF	10%	500V
						C6710	1-100-215-11	ELECT	1800µF	20%	250V
						C6711	1-165-950-11	FILM	68000pF	3%	800V
						C6712	1-125-969-91	CERAMIC	680pF	10%	1KV
						C6714	1-162-974-11	CERAMIC CHIP	0.01µF		50V
						C6715	1-136-479-11	FILM	0.001µF	2%	50V
						C6717	1-117-228-11	MYLAR	2.2µF	10%	450V
						C6718	1-136-165-00	FILM	0.1µF	5%	50V
						C6719	1-126-964-11	ELECT	10µF	20%	50V
						C6720	1-125-969-91	CERAMIC	680pF	10%	1KV
						C6721	1-126-963-11	ELECT	4.7µF	20%	50V
						C6501	1-126-933-11	ELECT	100µF	20%	16V
						C6502	1-126-937-11	ELECT	4700µF	20%	16V
						C6503	1-126-933-11	ELECT	100µF	20%	16V
						C6514	1-126-943-11	ELECT	2200µF	20%	25V

**CRYSTAL**

X101 1-795-098-21 VIBRATOR, CRYSTAL  
X102 1-795-116-21 VIBRATOR, CERAMIC  
X104 1-781-076-11 OSCILLATOR, CRYSTAL



 \* A-1300-410-A G BOARD, COMPLETE

\* 4-374-846-01 COVER,CAPACITOR, CAP TYPE  
4-382-854-11 SCREW (M3X10), P, SW (+)

**CAPACITOR**



NOTE: The components identified by shading and  $\triangle$  mark are critical for safety. Replace only with part number specified.

NOTE: Les composants identifiés par un trame et une marque  $\triangle$  sont critiques pour la sécurité. Ne les remplacer que par une pièce portant le numéro spécifique.

REF. NO.	PART NO.	DESCRIPTION	VALUES	REF. NO.	PART NO.	DESCRIPTION	VALUES
C6723	1-126-949-11	ELECT	220 $\mu$ F 20% 35V	<b>FERRITE BEAD</b>			
C6724	1-126-967-11	ELECT	47 $\mu$ F 20% 50V	FB6503	1-410-396-41	FERRITE	0.45 $\mu$ H
C6725	1-162-964-11	CERAMIC CHIP	0.001 $\mu$ F 10% 50V	FB6504	1-410-396-41	FERRITE	0.45 $\mu$ H
C6726	1-126-947-11	ELECT	47 $\mu$ F 20% 25V	FB6505	1-410-397-21	FERRITE	1.1 $\mu$ H
C6727	1-126-968-11	ELECT	100 $\mu$ F 20% 50V	FB6508	1-410-397-21	FERRITE	1.1 $\mu$ H
<b>CONNECTOR</b>				FB6509	1-410-396-41	FERRITE	0.45 $\mu$ H
CN6503	1-779-092-11	PIN,CONNECTOR (PC BOARD)	10P	FB6510	1-410-396-41	FERRITE	0.45 $\mu$ H
* CN6504	1-564-508-11	PLUG,CONNECTOR	5P	FB6511	1-410-396-41	FERRITE	0.45 $\mu$ H
* CN6505	1-564-507-11	PLUG,CONNECTOR	4P	FB6512	1-410-396-41	FERRITE	0.45 $\mu$ H
CN6506	1-764-334-11	PLUG,CONNECTOR	11P	FB6703	1-410-396-41	FERRITE	0.45 $\mu$ H
* CN6507	1-564-515-11	PLUG,CONNECTOR	12P	<b>IC</b>			
* CN6701	1-766-240-11	PIN,CONNECTOR (PC BOARD)	2P	IC6501	8-759-394-35	IC BA12T	
<b>DIODE</b>				IC6502	8-759-103-93	IC UPC393C	
D6501	8-719-988-61	DIODE 1SS355TE-17		$\triangle$ IC6503	8-749-012-13	IC DM-58	
D6502	8-719-052-92	DIODE D10SBS4F		$\triangle$ IC6504	8-759-198-31	IC UPC1093J-1-T	
D6503	8-719-510-37	DIODE D5LC20U		IC6701	8-759-670-30	IC MCZ3001D	
D6504	8-719-988-61	DIODE 1SS355TE-17		<b>CHIP CONDUCTOR</b>			
D6505	8-719-988-61	DIODE 1SS355TE-17		JR6502	1-216-295-91	SHORT CHIP	0
D6507	8-719-083-67	DIODE UDZSTE-1720B		JR6503	1-216-295-91	SHORT CHIP	0
D6511	8-719-060-89	DIODE D4SBS6-F		JR6504	1-216-295-91	SHORT CHIP	0
D6514	8-719-063-74	DIODE D1NL20U-TR2		JR6505	1-216-295-91	SHORT CHIP	0
D6515	8-719-060-89	DIODE D4SBS6-F		JR6506	1-216-295-91	SHORT CHIP	0
D6517	8-719-083-73	DIODE UDZSTE-1736B		JR6507	1-216-295-91	SHORT CHIP	0
D6518	8-719-050-18	DIODE D4SBL20U		JR6508	1-216-295-91	SHORT CHIP	0
D6519	8-719-060-89	DIODE D4SBS6-F		JR6509	1-216-295-91	SHORT CHIP	0
D6522	8-719-083-60	DIODE UDZSTE-174.7B		JR6511	1-216-295-91	SHORT CHIP	0
D6523	8-719-988-61	DIODE 1SS355TE-17		JR6512	1-216-295-91	SHORT CHIP	0
D6524	8-719-988-61	DIODE 1SS355TE-17		JR6513	1-216-295-91	SHORT CHIP	0
D6525	8-719-988-61	DIODE 1SS355TE-17		<b>COIL</b>			
D6526	8-719-988-61	DIODE 1SS355TE-17		L6501	1-406-661-21	INDUCTOR	22 $\mu$ H
D6527	8-719-988-61	DIODE 1SS355TE-17		L6504	1-412-529-11	INDUCTOR	22 $\mu$ H
D6534	8-719-018-84	DIODE D2S6MTA1		L6505	1-412-529-11	INDUCTOR	22 $\mu$ H
D6535	8-719-018-84	DIODE D2S6MTA1		L6506	1-412-525-31	INDUCTOR	10 $\mu$ H
D6537	8-719-018-84	DIODE D2S6MTA1		L6507	1-412-525-31	INDUCTOR	10 $\mu$ H
D6538	8-719-018-84	DIODE D2S6MTA1		L6509	1-412-529-11	INDUCTOR	22 $\mu$ H
D6539	8-719-988-61	DIODE 1SS355TE-17		L6511	1-412-529-11	INDUCTOR	22 $\mu$ H
D6540	8-719-988-61	DIODE 1SS355TE-17		L6512	1-412-533-21	INDUCTOR	47 $\mu$ H
D6701	8-719-068-00	DIODE ERC04-06SE		L6513	1-412-533-21	INDUCTOR	47 $\mu$ H
D6702	8-719-022-99	DIODE D6SB60L		L6514	1-406-665-11	INDUCTOR	100 $\mu$ H
D6703	8-719-068-00	DIODE ERC04-06SE		L6515	1-406-659-11	INDUCTOR	10 $\mu$ H
D6706	8-719-948-45	DIODE ERA22-08		L6517	1-414-189-31	INDUCTOR	100 $\mu$ H
D6712	6-500-158-01	DIODE 10ERA60-TA2B5		L6518	1-412-524-11	INDUCTOR	8.2 $\mu$ H
D6715	8-719-063-70	DIODE D1NL20U-TA2					
D6716	8-719-988-61	DIODE 1SS355TE-17					



**NOTE:** The components identified by shading and mark are critical for safety. Replace only with part number specified.

**NOTE:** Les composants identifiés par un trame et une sont critiques pour la sécurité. Ne les remplacer que par une pièce portant le numéro spécifique.

REF. NO.	PART NO.	DESCRIPTION	VALUES			REF. NO.	PART NO.	DESCRIPTION	VALUES			
L6519	1-412-524-11	INDUCTOR	8.2µH			R6523	1-216-821-11	RES-CHIP	1K	5%	1/10W	
L6520	1-414-158-11	INDUCTOR	2.2µH			R6524	1-216-833-11	RES-CHIP	10K	5%	1/10W	
L6521	1-414-158-11	INDUCTOR	2.2µH			R6525	1-216-821-11	RES-CHIP	1K	5%	1/10W	
L6701	1-424-862-11	INDUCTOR	33µH			R6526	1-216-833-11	RES-CHIP	10K	5%	1/10W	
<b>PHOTO COUPLER</b>						R6527	1-216-837-11	RES-CHIP	22K	5%	1/10W	
	PH6001	8-749-924-35	PHOTO COUPLER	ON3171-R		R6528	1-216-837-11	RES-CHIP	22K	5%	1/10W	
	PH6002	8-749-924-35	PHOTO COUPLER	ON3171-R			R6535	1-218-740-11	METAL CHIP	100K	0.50% 1/16W	
<b>IC LINK</b>							R6536	1-218-736-11	METAL CHIP	68K	0.50% 1/16W	
	PS6501	1-533-597-41	LINK, IC			R6537	1-249-405-11	CARBON	100	5%	1/4W	
	PS6502	1-533-597-41	LINK, IC			R6538	1-216-829-11	RES-CHIP	4.7K	5%	1/10W	
	PS6503	1-533-597-31	LINK, IC			R6539	1-218-708-11	METAL CHIP	4.7K	0.50%	1/16W	
	PS6504	1-533-597-31	LINK, IC				R6702	1-202-933-61	FUSIBLE	0.1	10% 1/2W	
	PS6505	1-533-597-31	LINK, IC			R6703	1-260-131-11	CARBON	470K	5%	1/2W	
	PS6506	1-533-597-31	LINK, IC			R6705	1-240-251-11	CEMENTED	6.8	5%	10W	
	PS6507	1-533-282-21	LINK, IC			R6707	1-260-131-11	CARBON	470K	5%	1/2W	
	PS6508	1-533-597-31	LINK, IC			R6709	1-260-328-11	CARBON	1K	5%	1/2W	
	PS6509	1-533-597-31	LINK, IC			R6710	1-215-481-00	METAL	330K	1%	1/4W	
<b>TRANSISTOR</b>						R6711	1-215-481-00	METAL	330K	1%	1/4W	
Q6502	8-729-026-49	TRANSISTOR 2SA1037AK-T146-QR					R6712	1-249-417-11	CARBON	1K	5% 1/4W	
Q6503	8-729-050-50	TRANSISTOR 2SD1782K-T146-R					R6713	1-249-393-11	CARBON	10	5% 1/4W	
Q6504	8-729-120-28	TRANSISTOR 2SC2412K-T-146-QR				R6714	1-215-481-00	METAL	330K	1%	1/4W	
Q6701	8-729-052-32	TRANSISTOR IRFIB7N50A-LF31				R6715	1-216-829-11	RES-CHIP	4.7K	5%	1/10W	
Q6702	8-729-052-32	TRANSISTOR IRFIB7N50A-LF31				R6718	1-216-833-11	RES-CHIP	10K	5%	1/10W	
<b>RESISTOR</b>						R6721	1-218-715-11	METAL CHIP	9.1K	0.50%	1/16W	
R6501	1-216-073-91	RES-CHIP	10K	5%	1/10W		R6722	1-249-393-11	CARBON	10	5% 1/4W	
R6505	1-215-900-11	METAL OXIDE	22K	5%	2W	R6723	1-218-720-11	METAL CHIP	15K	0.50%	1/16W	
R6506	1-216-361-00	METAL OXIDE	0.22	5%	2W	R6725	1-249-393-11	CARBON	10	5%	1/4W	
R6507	1-216-073-91	RES-CHIP	10K	5%	1/10W	R6727	1-216-833-11	RES-CHIP	10K	5%	1/10W	
R6508	1-216-375-00	METAL OXIDE	3.3	5%	2W	R6728	1-243-979-71	METAL OXIDE	0.1	5%	2W	
R6510	1-216-821-11	RES-CHIP	1K	5%	1/10W	R6729	1-243-979-71	METAL OXIDE	0.1	5%	2W	
R6511	1-216-824-11	RES-CHIP	1.8K	5%	1/10W	R6730	1-218-668-11	METAL CHIP	100	0.50%	1/16W	
R6512	1-216-833-11	RES-CHIP	10K	5%	1/10W	R6731	1-218-675-11	METAL CHIP	200	0.50%	1/16W	
R6513	1-216-295-91	SHORT CHIP	0			R6732	1-216-813-11	RES-CHIP	220	5%	1/10W	
R6514	1-216-833-11	RES-CHIP	10K	5%	1/10W	R6733	1-216-813-11	RES-CHIP	220	5%	1/10W	
R6515	1-216-821-11	RES-CHIP	1K	5%	1/10W	<b>RELAY</b>						
	R6516	1-218-740-11	METAL CHIP	100K	0.50%	1/16W		RY6701	1-755-395-11	RELAY (AC POWER)		
	R6517	1-218-708-11	METAL CHIP	4.7K	0.50%	1/16W		RY6702	1-755-395-11	RELAY (AC POWER)		
	R6518	1-249-415-11	CARBON	680	5%	1/4W	<b>TRANSFORMER</b>					
R6519	1-218-708-11	METAL CHIP	4.7K	0.50%	1/16W		T6703	1-437-738-11	TRANSFORMER, CONVERTER (PIT)			
R6520	1-218-690-11	METAL CHIP	820	0.50%	1/16W							
R6521	1-216-833-11	RES-CHIP	10K	5%	1/10W							



The AD board is not field repairable. If service is required, use the following part number to order a complete replacement board. Data is provided for reference only.

\* **A-1300-411-A AD BOARD, COMPLETE**

**CAPACITOR**

REF. NO.	PART NO.	DESCRIPTION	VALUES		
C9401	1-126-933-11	ELECT	100µF	20%	16V
C9402	1-126-933-11	ELECT	100µF	20%	16V
C9403	1-164-156-11	CERAMIC CHIP	0.1µF		25V
C9404	1-162-919-11	CERAMIC CHIP	22pF	5%	50V
C9405	1-164-156-11	CERAMIC CHIP	0.1µF		25V
C9406	1-164-156-11	CERAMIC CHIP	0.1µF		25V
C9407	1-164-156-11	CERAMIC CHIP	0.1µF		25V
C9408	1-162-919-11	CERAMIC CHIP	22pF	5%	50V
C9409	1-126-933-11	ELECT	100µF	20%	16V
C9410	1-164-156-11	CERAMIC CHIP	0.1µF		25V
C9411	1-162-966-11	CERAMIC CHIP	0.0022µF	10%	50V
C9413	1-164-156-11	CERAMIC CHIP	0.1µF		25V
C9414	1-126-933-11	ELECT	100µF	20%	16V
C9415	1-164-156-11	CERAMIC CHIP	0.1µF		25V
C9416	1-164-156-11	CERAMIC CHIP	0.1µF		25V
C9419	1-164-156-11	CERAMIC CHIP	0.1µF		25V
C9422	1-164-156-11	CERAMIC CHIP	0.1µF		25V
C9424	1-164-156-11	CERAMIC CHIP	0.1µF		25V
C9425	1-164-156-11	CERAMIC CHIP	0.1µF		25V
C9426	1-164-156-11	CERAMIC CHIP	0.1µF		25V
C9427	1-164-156-11	CERAMIC CHIP	0.1µF		25V
C9428	1-126-933-11	ELECT	100µF	20%	16V
C9429	1-164-156-11	CERAMIC CHIP	0.1µF		25V
C9430	1-164-156-11	CERAMIC CHIP	0.1µF		25V
C9431	1-126-963-11	ELECT	4.7µF	20%	50V
C9432	1-107-826-11	CERAMIC CHIP	0.1µF	10%	16V
C9433	1-126-933-11	ELECT	100µF	20%	16V
C9434	1-126-933-11	ELECT	100µF	20%	16V
C9440	1-164-315-11	CERAMIC CHIP	470pF	5%	50V
C9441	1-164-315-11	CERAMIC CHIP	470pF	5%	50V
C9442	1-115-412-11	CERAMIC CHIP	680pF	5%	25V
C9444	1-115-412-11	CERAMIC CHIP	680pF	5%	25V
C9446	1-164-156-11	CERAMIC CHIP	0.1µF		25V
C9447	1-164-156-11	CERAMIC CHIP	0.1µF		25V
C9448	1-164-156-11	CERAMIC CHIP	0.1µF		25V

REF. NO.	PART NO.	DESCRIPTION	VALUES		
C9450	1-164-156-11	CERAMIC CHIP	0.1µF		25V
C9452	1-162-927-11	CERAMIC CHIP	100pF	5%	50V
C9453	1-162-927-11	CERAMIC CHIP	100pF	5%	50V
C9454	1-162-910-11	CERAMIC CHIP	5pF	0.25pF	50V
C9458	1-162-910-11	CERAMIC CHIP	5pF	0.25pF	50V
C9459	1-164-156-11	CERAMIC CHIP	0.1µF		25V
C9460	1-164-156-11	CERAMIC CHIP	0.1µF		25V
C9461	1-164-156-11	CERAMIC CHIP	0.1µF		25V
C9462	1-126-933-11	ELECT	100µF	20%	16V
C9463	1-126-933-11	ELECT	100µF	20%	16V
C9464	1-126-933-11	ELECT	100µF	20%	16V
C9465	1-164-156-11	CERAMIC CHIP	0.1µF		25V
C9466	1-164-156-11	CERAMIC CHIP	0.1µF		25V
C9467	1-164-156-11	CERAMIC CHIP	0.1µF		25V
C9468	1-164-315-11	CERAMIC CHIP	470pF	5%	50V
C9469	1-164-315-11	CERAMIC CHIP	470pF	5%	50V
C9470	1-115-412-11	CERAMIC CHIP	680pF	5%	25V
C9471	1-126-947-11	ELECT	47µF	20%	25V
C9472	1-115-412-11	CERAMIC CHIP	680pF	5%	25V
C9474	1-164-156-11	CERAMIC CHIP	0.1µF		25V
C9475	1-164-156-11	CERAMIC CHIP	0.1µF		25V
C9476	1-164-156-11	CERAMIC CHIP	0.1µF		25V
C9478	1-164-156-11	CERAMIC CHIP	0.1µF		25V
C9480	1-162-927-11	CERAMIC CHIP	100pF	5%	50V
C9481	1-162-927-11	CERAMIC CHIP	100pF	5%	50V
C9482	1-162-910-11	CERAMIC CHIP	5pF	0.25pF	50V
C9483	1-162-910-11	CERAMIC CHIP	5pF	0.25pF	50V
C9484	1-164-156-11	CERAMIC CHIP	0.1µF		25V
C9485	1-164-156-11	CERAMIC CHIP	0.1µF		25V
C9486	1-164-156-11	CERAMIC CHIP	0.1µF		25V
C9488	1-126-933-11	ELECT	100µF	20%	16V
C9489	1-126-933-11	ELECT	100µF	20%	16V
C9490	1-126-933-11	ELECT	100µF	20%	16V
C9491	1-164-156-11	CERAMIC CHIP	0.1µF		25V
C9492	1-164-156-11	CERAMIC CHIP	0.1µF		25V
C9493	1-164-156-11	CERAMIC CHIP	0.1µF		25V
C9494	1-164-156-11	CERAMIC CHIP	0.1µF		25V
C9495	1-162-968-11	CERAMIC CHIP	0.0047µF	10%	50V
C9498	1-126-933-11	ELECT	100µF	20%	16V
C9501	1-164-315-11	CERAMIC CHIP	470pF	5%	50V
C9502	1-115-412-11	CERAMIC CHIP	680pF	5%	25V
C9503	1-164-315-11	CERAMIC CHIP	470pF	5%	50V
C9505	1-115-412-11	CERAMIC CHIP	680pF	5%	25V
C9506	1-164-156-11	CERAMIC CHIP	0.1µF		25V






REF. NO.	PART NO.	DESCRIPTION	VALUES		REF. NO.	PART NO.	DESCRIPTION	VALUES
C9508	1-164-156-11	CERAMIC CHIP	0.1μF	25V	<b>DIODE</b>			
C9509	1-164-156-11	CERAMIC CHIP	0.1μF	25V	D9400	8-719-988-61	DIODE 1SS355TE-17	
C9511	1-162-927-11	CERAMIC CHIP	100pF	5% 50V	D9401	8-719-988-61	DIODE 1SS355TE-17	
C9512	1-164-156-11	CERAMIC CHIP	0.1μF	25V	D9402	8-719-988-61	DIODE 1SS355TE-17	
C9514	1-162-910-11	CERAMIC CHIP	5pF	0.25pF 50V	D9404	8-719-988-61	DIODE 1SS355TE-17	
C9515	1-162-927-11	CERAMIC CHIP	100pF	5% 50V	D9405	8-719-988-61	DIODE 1SS355TE-17	
C9516	1-162-910-11	CERAMIC CHIP	5pF	0.25pF 50V	D9406	8-719-069-54	DIODE UDZSTE-175.1B	
C9517	1-164-156-11	CERAMIC CHIP	0.1μF	25V	D9407	8-719-069-54	DIODE UDZSTE-175.1B	
C9518	1-164-156-11	CERAMIC CHIP	0.1μF	25V	D9408	8-719-069-54	DIODE UDZSTE-175.1B	
C9520	1-164-173-11	CERAMIC CHIP	0.0039μF	10% 50V	D9409	8-719-069-54	DIODE UDZSTE-175.1B	
C9521	1-164-173-11	CERAMIC CHIP	0.0039μF	10% 50V	<b>FERRITE BEAD</b>			
C9523	1-164-173-11	CERAMIC CHIP	0.0039μF	10% 50V	FB9401	1-414-445-11	FERRITE	0μH
C9524	1-164-173-11	CERAMIC CHIP	0.0039μF	10% 50V	FB9402	1-414-445-11	FERRITE	0μH
C9525	1-164-156-11	CERAMIC CHIP	0.1μF	25V	FB9403	1-414-445-11	FERRITE	0μH
C9526	1-164-156-11	CERAMIC CHIP	0.1μF	25V	FB9404	1-414-445-11	FERRITE	0μH
C9527	1-164-156-11	CERAMIC CHIP	0.1μF	25V	FB9405	1-414-445-11	FERRITE	0μH
C9528	1-164-156-11	CERAMIC CHIP	0.1μF	25V	FB9406	1-414-445-11	FERRITE	0μH
C9531	1-164-156-11	CERAMIC CHIP	0.1μF	25V	FB9407	1-414-445-11	FERRITE	0μH
C9532	1-164-156-11	CERAMIC CHIP	0.1μF	25V	FB9408	1-414-445-11	FERRITE	0μH
C9540	1-164-156-11	CERAMIC CHIP	0.1μF	25V	FB9409	1-414-445-11	FERRITE	0μH
C9541	1-164-156-11	CERAMIC CHIP	0.1μF	25V	FB9410	1-414-445-11	FERRITE	0μH
C9542	1-164-156-11	CERAMIC CHIP	0.1μF	25V	FB9411	1-414-445-11	FERRITE	0μH
C9543	1-164-156-11	CERAMIC CHIP	0.1μF	25V	FB9412	1-414-445-11	FERRITE	0μH
C9546	1-164-156-11	CERAMIC CHIP	0.1μF	25V	FB9413	1-414-445-11	FERRITE	0μH
C9547	1-164-392-11	CERAMIC CHIP	390pF	5% 50V	FB9414	1-414-445-11	FERRITE	0μH
C9548	1-162-927-11	CERAMIC CHIP	100pF	5% 50V	FB9415	1-414-445-11	FERRITE	0μH
C9549	1-115-416-11	CERAMIC CHIP	0.001μF	5% 25V	FB9416	1-414-445-11	FERRITE	0μH
C9550	1-164-156-11	CERAMIC CHIP	0.1μF	25V	FB9417	1-414-445-11	FERRITE	0μH
C9552	1-162-974-11	CERAMIC CHIP	0.01μF	50V	<b>IC</b>			
C9553	1-126-947-11	ELECT	47μF	20% 25V	IC9400	8-752-932-80	IC CXP86460-645Q	
C9554	1-126-947-11	ELECT	47μF	20% 25V	IC9401	8-759-683-55	IC CM0017AF	
C9555	1-126-916-11	ELECT	1000μF	20% 6.3V	IC9402	6-700-319-01	IC M24128-BWMN6T	
C9557	1-164-156-11	CERAMIC CHIP	0.1μF	25V	IC9403	8-759-352-91	IC PST9143NL	
C9558	1-126-933-11	ELECT	100μF	20% 16V	IC9405	8-759-830-08	IC NJM2068V-TE2	
C9559	1-164-156-11	CERAMIC CHIP	0.1μF	25V	IC9406	8-759-830-08	IC NJM2068V-TE2	
<b>CONNECTOR</b>					IC9407	8-759-829-87	IC CD0031AM	
CN9400	1-573-301-21	CONNECTOR, BOARD TO BOARD 20P			IC9408	8-759-830-08	IC NJM2068V-TE2	
CN9401	1-573-301-21	CONNECTOR, BOARD TO BOARD 20P			IC9409	8-759-830-08	IC NJM2068V-TE2	
* CN9402	1-564-511-11	PLUG, CONNNECTOR	8P		IC9410	8-759-830-08	IC NJM2068V-TE2	
					IC9411	8-759-830-08	IC NJM2068V-TE2	
					IC9413	8-759-278-58	IC NJM4558V-TE2	
					IC9414	8-759-278-58	IC NJM4558V-TE2	




REF. NO.	PART NO.	DESCRIPTION	VALUES	REF. NO.	PART NO.	DESCRIPTION	VALUES
IC9415	8-759-278-58	IC NJM4558V-TE2		R9419	1-216-839-11	RES-CHIP	33K 5% 1/10W
IC9416	8-759-278-58	IC NJM4558V-TE2		R9420	1-216-821-11	RES-CHIP	1K 5% 1/10W
IC9420	8-759-830-08	IC NJM2068V-TE2		R9421	1-216-821-11	RES-CHIP	1K 5% 1/10W
IC9422	8-759-641-26	IC NJM2391DL1-33(TE1)		R9422	1-216-818-11	RES-CHIP	560 5% 1/10W
				R9423	1-216-809-11	RES-CHIP	100 5% 1/10W
		<b>COIL</b>		R9424	1-216-809-11	RES-CHIP	100 5% 1/10W
L9401	1-469-555-21	INDUCTOR	10μH	R9425	1-216-833-11	RES-CHIP	10K 5% 1/10W
		<b>TRANSISTOR</b>		R9426	1-216-821-11	RES-CHIP	1K 5% 1/10W
Q9400	8-729-026-49	TRANSISTOR 2SA1037AK-T146-QR		R9428	1-216-809-11	RES-CHIP	100 5% 1/10W
Q9401	8-729-026-49	TRANSISTOR 2SA1037AK-T146-QR		R9429	1-216-825-11	RES-CHIP	2.2K 5% 1/10W
Q9402	8-729-026-49	TRANSISTOR 2SA1037AK-T146-QR		R9430	1-216-821-11	RES-CHIP	1K 5% 1/10W
Q9403	8-729-120-28	TRANSISTOR 2SC2412K-T-146-QR		R9431	1-216-825-11	RES-CHIP	2.2K 5% 1/10W
Q9405	8-729-120-28	TRANSISTOR 2SC2412K-T-146-QR		R9432	1-216-815-11	RES-CHIP	330 5% 1/10W
Q9406	8-729-120-28	TRANSISTOR 2SC2412K-T-146-QR		R9433	1-216-825-11	RES-CHIP	2.2K 5% 1/10W
Q9407	8-729-120-28	TRANSISTOR 2SC2412K-T-146-QR		R9434	1-216-833-11	RES-CHIP	10K 5% 1/10W
Q9408	8-729-120-28	TRANSISTOR 2SC2412K-T-146-QR		R9435	1-216-825-11	RES-CHIP	2.2K 5% 1/10W
Q9411	8-729-120-28	TRANSISTOR 2SC2412K-T-146-QR		R9436	1-216-809-11	RES-CHIP	100 5% 1/10W
Q9412	8-729-120-28	TRANSISTOR 2SC2412K-T-146-QR		R9437	1-216-809-11	RES-CHIP	100 5% 1/10W
Q9413	8-729-120-28	TRANSISTOR 2SC2412K-T-146-QR		R9438	1-216-815-11	RES-CHIP	330 5% 1/10W
Q9414	8-729-120-28	TRANSISTOR 2SC2412K-T-146-QR		R9439	1-216-815-11	RES-CHIP	330 5% 1/10W
Q9415	8-729-120-28	TRANSISTOR 2SC2412K-T-146-QR		R9440	1-216-817-11	RES-CHIP	470 5% 1/10W
Q9416	8-729-028-28	TRANSISTOR 2SK2036(TE85L)		R9441	1-216-829-11	RES-CHIP	4.7K 5% 1/10W
Q9417	8-729-028-28	TRANSISTOR 2SK2036(TE85L)		R9442	1-218-700-11	METAL CHIP	2.2K 0.50% 1/16W
		<b>RESISTOR</b>		R9443	1-218-692-11	METAL CHIP	1K 0.50% 1/16W
R9400	1-216-841-11	RES-CHIP	47K 5% 1/10W	R9444	1-216-837-11	RES-CHIP	22K 5% 1/10W
R9401	1-216-809-11	RES-CHIP	100 5% 1/10W	R9446	1-216-821-11	RES-CHIP	1K 5% 1/10W
R9402	1-216-833-11	RES-CHIP	10K 5% 1/10W	R9447	1-216-821-11	RES-CHIP	1K 5% 1/10W
R9403	1-216-864-11	SHORT CHIP	0	R9448	1-216-818-11	RES-CHIP	560 5% 1/10W
R9404	1-216-833-11	RES-CHIP	10K 5% 1/10W	R9449	1-216-823-11	RES-CHIP	1.5K 5% 1/10W
R9405	1-216-821-11	RES-CHIP	1K 5% 1/10W	R9450	1-216-823-11	RES-CHIP	1.5K 5% 1/10W
R9406	1-216-837-11	RES-CHIP	22K 5% 1/10W	R9451	1-218-700-11	METAL CHIP	2.2K 0.50% 1/16W
R9407	1-216-821-11	RES-CHIP	1K 5% 1/10W	R9452	1-218-700-11	METAL CHIP	2.2K 0.50% 1/16W
R9408	1-216-821-11	RES-CHIP	1K 5% 1/10W	R9453	1-216-833-11	RES-CHIP	10K 5% 1/10W
R9410	1-216-825-11	RES-CHIP	2.2K 5% 1/10W	R9454	1-218-700-11	METAL CHIP	2.2K 0.50% 1/16W
R9411	1-216-809-11	RES-CHIP	100 5% 1/10W	R9455	1-218-700-11	METAL CHIP	2.2K 0.50% 1/16
R9412	1-216-823-11	RES-CHIP	1.5K 5% 1/10W	R9456	1-216-833-11	RES-CHIP	10K 5% 1/10W
R9413	1-216-825-11	RES-CHIP	2.2K 5% 1/10W	R9457	1-216-833-11	RES-CHIP	10K 5% 1/10W
R9414	1-216-823-11	RES-CHIP	1.5K 5% 1/10W	R9458	1-216-839-11	RES-CHIP	33K 5% 1/10W
R9415	1-216-821-11	RES-CHIP	1K 5% 1/10W	R9459	1-218-724-11	METAL CHIP	22K 0.50% 1/16W
R9416	1-216-825-11	RES-CHIP	2.2K 5% 1/10W	R9460	1-218-724-11	METAL CHIP	22K 0.50% 1/16W
R9417	1-216-809-11	RES-CHIP	100 5% 1/10W	R9461	1-218-724-11	METAL CHIP	22K 0.50% 1/16W
R9418	1-216-809-11	RES-CHIP	100 5% 1/10W	R9462	1-218-724-11	METAL CHIP	22K 0.50% 1/16W
				R9463	1-218-716-11	METAL CHIP	10K 0.50% 1/16W
				R9464	1-218-716-11	METAL CHIP	10K 0.50% 1/16W







REF. NO.	PART NO.	DESCRIPTION	VALUES	REF. NO.	PART NO.	DESCRIPTION	VALUES
R9465	1-218-716-11	METAL CHIP	10K 0.50% 1/16W	R9541	1-216-827-11	RES-CHIP	3.3K 5% 1/10W
R9466	1-218-716-11	METAL CHIP	10K 0.50% 1/16W	R9542	1-218-714-11	METAL CHIP	8.2K 0.50% 1/16W
R9467	1-218-700-11	METAL CHIP	2.2K 0.50% 1/16W	R9545	1-216-839-11	RES-CHIP	33K 5% 1/10W
R9468	1-218-700-11	METAL CHIP	2.2K 0.50% 1/16W	R9546	1-218-720-11	METAL CHIP	15K 0.50% 1/16W
R9469	1-218-700-11	METAL CHIP	2.2K 0.50% 1/16W	R9548	1-218-740-11	METAL CHIP	100K 0.50% 1/16W
R9470	1-218-700-11	METAL CHIP	2.2K 0.50% 1/16W	R9549	1-218-722-11	METAL CHIP	18K 0.50% 1/16W
R9471	1-218-724-11	METAL CHIP	22K 0.50% 1/16W	R9550	1-216-837-11	RES-CHIP	22K 5% 1/10W
R9472	1-218-724-11	METAL CHIP	22K 0.50% 1/16W	R9551	1-216-809-11	RES-CHIP	100 5% 1/10W
R9473	1-218-724-11	METAL CHIP	22K 0.50% 1/16W	R9553	1-216-821-11	RES-CHIP	1K 5% 1/10W
R9474	1-218-724-11	METAL CHIP	22K 0.50% 1/16W	R9554	1-216-821-11	RES-CHIP	1K 5% 1/10W
R9475	1-218-716-11	METAL CHIP	10K 0.50% 1/16W	R9555	1-216-833-11	RES-CHIP	10K 5% 1/10W
R9476	1-218-716-11	METAL CHIP	10K 0.50% 1/16W	R9556	1-216-821-11	RES-CHIP	1K 5% 1/10W
R9477	1-218-716-11	METAL CHIP	10K 0.50% 1/16W	R9557	1-216-821-11	RES-CHIP	1K 5% 1/10W
R9478	1-218-716-11	METAL CHIP	10K 0.50% 1/16W	R9558	1-216-821-11	RES-CHIP	1K 5% 1/10W
R9479	1-218-700-11	METAL CHIP	2.2K 0.50% 1/16W	R9559	1-216-821-11	RES-CHIP	1K 5% 1/10W
R9480	1-218-700-11	METAL CHIP	2.2K 0.50% 1/16W	R9565	1-216-833-11	RES-CHIP	10K 5% 1/10W
R9481	1-218-700-11	METAL CHIP	2.2K 0.50% 1/16W	R9566	1-216-833-11	RES-CHIP	10K 5% 1/10W
R9482	1-218-700-11	METAL CHIP	2.2K 0.50% 1/16W	R9567	1-216-833-11	RES-CHIP	10K 5% 1/10W
R9483	1-218-724-11	METAL CHIP	22K 0.50% 1/16W	R9568	1-216-864-11	SHORT CHIP	0
R9484	1-218-724-11	METAL CHIP	22K 0.50% 1/16W	R9569	1-216-864-11	SHORT CHIP	0
R9485	1-218-724-11	METAL CHIP	22K 0.50% 1/16W	R9570	1-216-864-11	SHORT CHIP	0
R9486	1-218-716-11	METAL CHIP	10K 0.50% 1/16W	R9571	1-216-864-11	SHORT CHIP	0
R9487	1-218-724-11	METAL CHIP	22K 0.50% 1/16W	R9572	1-216-833-11	RES-CHIP	10K 5% 1/10W
R9488	1-218-716-11	METAL CHIP	10K 0.50% 1/16W	R9573	1-216-833-11	RES-CHIP	10K 5% 1/10W
R9489	1-218-716-11	METAL CHIP	10K 0.50% 1/16W	R9574	1-216-797-11	RES-CHIP	10 5% 1/10W
R9490	1-218-716-11	METAL CHIP	10K 0.50% 1/16W	R9575	1-216-797-11	RES-CHIP	10 5% 1/10W
R9494	1-216-855-11	RES-CHIP	680K 5% 1/10W	<b>RESISTOR BRIDGE</b>			
R9495	1-216-853-11	RES-CHIP	470K 5% 1/10W	RB9400	1-233-576-11	RES, CHIP NETWORK	100
R9496	1-216-853-11	RES-CHIP	470K 5% 1/10W	RB9401	1-233-576-11	RES, CHIP NETWORK	100
R9497	1-216-855-11	RES-CHIP	680K 5% 1/10W	RB9402	1-233-576-11	RES, CHIP NETWORK	100
R9502	1-216-829-11	RES-CHIP	4.7K 5% 1/10W	<b>VARIATOR</b>			
R9503	1-216-845-11	RES-CHIP	100K 5% 1/10W	VD9404	1-804-499-21	VARIATOR, CHIP	
R9504	1-216-829-11	RES-CHIP	4.7K 5% 1/10W	VD9405	1-804-499-21	VARIATOR, CHIP	
R9505	1-216-843-11	RES-CHIP	68K 5% 1/10W	VD9406	1-804-499-21	VARIATOR, CHIP	
R9509	1-216-843-11	RES-CHIP	68K 5% 1/10W	VD9407	1-804-499-21	VARIATOR, CHIP	
R9510	1-216-829-11	RES-CHIP	4.7K 5% 1/10W	<b>CRYSTAL</b>			
R9511	1-216-845-11	RES-CHIP	100K 5% 1/10W	X9401	1-767-922-11	VIBRATOR, CERAMIC	
R9512	1-216-829-11	RES-CHIP	4.7K 5% 1/10W				
R9515	1-216-821-11	RES-CHIP	1K 5% 1/10W				
R9516	1-216-821-11	RES-CHIP	1K 5% 1/10W				
R9520	1-216-821-11	RES-CHIP	1K 5% 1/10W				
R9527	1-216-821-11	RES-CHIP	1K 5% 1/10W				
R9539	1-218-706-11	METAL CHIP	3.9K 0.50% 1/16W				
R9540	1-218-702-11	METAL CHIP	2.7K 0.50% 1/16W				

**NOTE:** The components identified by shading and  mark are critical for safety. Replace only with part number specified.

**NOTE:** Les composants identifiés par un trame et une  sont critiques pour la sécurité. Ne les remplacer que par une pièce portant le numéro spécifique.



REF. NO.	PART NO.	DESCRIPTION	VALUES	REF. NO.	PART NO.	DESCRIPTION	VALUES
				C8035	1-162-927-11	CERAMIC CHIP	100pF 5% 50V
 *	A-1300-560-A	D BOARD, COMPLETE		C8036	1-126-968-11	ELECT	100μF 20% 50V
	4-382-854-11	SCREW (M3X10), P, SW (+)		C8037	1-126-968-11	ELECT	100μF 20% 50V
	7-682-952-09	SCREW#NAME? 3X16		C8040	1-115-349-51	CERAMIC	0.01μF 2KV
The high-voltage leads associated with the FBT on the D board are not included and must be ordered separately. Order the following leads when requesting this D board:				C8041	1-162-927-11	CERAMIC CHIP	100pF 5% 50V
	1-779-095-51	HV LEAD ASSY		C8042	1-162-927-11	CERAMIC CHIP	100pF 5% 50V
	1-900-260-40	CONNECTOR ASSY., MV		C8045	1-126-965-91	ELECT	22μF 20% 50V
<b>CAPACITOR</b>				C8046	1-126-965-91	ELECT	22μF 20% 50V
C8001	1-164-227-11	CERAMIC CHIP	0.022μF 10% 25V	C8047	1-162-974-11	CERAMIC CHIP	0.01μF 50V
C8002	1-162-927-11	CERAMIC CHIP	100pF 5% 50V	C8048	1-126-965-91	ELECT	22μF 20% 50V
C8003	1-162-927-11	CERAMIC CHIP	100pF 5% 50V	C8049	1-162-974-11	CERAMIC CHIP	0.01μF 50V
C8004	1-104-666-11	ELECT	220μF 20% 25V	C8050	1-126-965-91	ELECT	22μF 20% 50V
C8005	1-126-942-61	ELECT	1000μF 20% 25V	C8051	1-102-038-00	CERAMIC	0.001μF 500V
C8006	1-126-942-61	ELECT	1000μF 20% 25V	C8052	1-126-965-91	ELECT	22μF 20% 50V
C8007	1-162-927-11	CERAMIC CHIP	100pF 5% 50V	C8053	1-162-974-11	CERAMIC CHIP	0.01μF 50V
C8008	1-162-927-11	CERAMIC CHIP	100pF 5% 50V	C8054	1-162-974-11	CERAMIC CHIP	0.01μF 50V
C8009	1-162-970-11	CERAMIC CHIP	0.01μF 10% 25V	C8055	1-164-156-11	CERAMIC CHIP	0.1μF 25V
C8010	1-136-177-00	FILM	1μF 5% 50V	C8056	1-107-652-11	ELECT	10μF 20% 250V
C8011	1-162-927-11	CERAMIC CHIP	100pF 5% 50V	C8057	1-126-959-11	ELECT	0.47μF 20% 50V
C8012	1-162-970-11	CERAMIC CHIP	0.01μF 10% 25V	C8058	1-164-230-11	CERAMIC CHIP	220pF 5% 50V
C8013	1-162-927-11	CERAMIC CHIP	100pF 5% 50V	C8059	1-127-715-91	CERAMIC CHIP	0.22μF 10% 16V
C8014	1-104-665-11	ELECT	100μF 20% 25V	C8060	1-104-665-11	ELECT	100μF 20% 25V
C8015	1-126-969-11	ELECT	220μF 20% 50V	C8061	1-107-826-11	CERAMIC CHIP	0.1μF 10% 16V
C8016	1-104-665-11	ELECT	100μF 20% 25V	C8062	1-162-970-11	CERAMIC CHIP	0.01μF 10% 25V
C8017	1-162-964-11	CERAMIC CHIP	0.001μF 10% 50V	C8063	1-107-826-11	CERAMIC CHIP	0.1μF 10% 16V
C8018	1-126-964-11	ELECT	10μF 20% 50V	C8064	1-107-636-11	ELECT	10μF 20% 160V
C8019	1-162-927-11	CERAMIC CHIP	100pF 5% 50V	C8065	1-106-383-00	MYLAR	0.047μF 10% 200V
C8020	1-162-927-11	CERAMIC CHIP	100pF 5% 50V	C8066	1-162-970-11	CERAMIC CHIP	0.01μF 10% 25V
C8021	1-162-927-11	CERAMIC CHIP	100pF 5% 50V	C8067	1-104-665-11	ELECT	100μF 20% 25V
C8022	1-106-220-00	MYLAR	0.1μF 10% 100V	C8068	1-162-318-11	CERAMIC	0.001μF 10% 500V
C8023	1-106-220-00	MYLAR	0.1μF 10% 100V	C8069	1-162-970-11	CERAMIC CHIP	0.01μF 10% 25V
C8024	1-164-227-11	CERAMIC CHIP	0.022μF 10% 25V	C8070	1-126-964-11	ELECT	10μF 20% 50V
C8025	1-126-968-11	ELECT	100μF 20% 50V	C8071	1-126-964-11	ELECT	10μF 20% 50V
C8026	1-126-968-11	ELECT	100μF 20% 50V	C8072	1-126-964-11	ELECT	10μF 20% 50V
C8027	1-126-968-11	ELECT	100μF 20% 50V	C8073	1-162-970-11	CERAMIC CHIP	0.01μF 10% 25V
C8028	1-126-968-11	ELECT	100μF 20% 50V	C8074	1-104-665-11	ELECT	100μF 20% 25V
C8029	1-126-968-11	ELECT	100μF 20% 50V	C8075	1-162-970-11	CERAMIC CHIP	0.01μF 10% 25V
C8030	1-107-636-11	ELECT	10μF 20% 160V	C8076	1-128-551-11	ELECT	22μF 20% 25V
C8031	1-107-636-11	ELECT	10μF 20% 160V	C8077	1-162-970-11	CERAMIC CHIP	0.01μF 10% 25V
C8032	1-126-968-11	ELECT	100μF 20% 50V	C8078	1-115-416-11	CERAMIC CHIP	0.001μF 5% 25V
C8033	1-126-968-11	ELECT	100μF 20% 50V	C8079	1-126-964-11	ELECT	10μF 20% 50V
C8034	1-162-927-11	CERAMIC CHIP	100pF 5% 50V	C8080	1-126-964-11	ELECT	10μF 20% 50V
				C8081	1-115-416-11	CERAMIC CHIP	0.001μF 5% 25V
				C8082	1-165-176-11	CERAMIC CHIP	0.047μF 10% 16V



NOTE: The components identified by shading and  $\triangle$  mark are critical for safety. Replace only with part number specified.


NOTE: Les composants identifiés par un triangle et une marque  $\triangle$  sont critiques pour la sécurité. Ne les remplacer que par une pièce portant le numéro spécifique.


REF. NO.	PART NO.	DESCRIPTION	VALUES			REF. NO.	PART NO.	DESCRIPTION	VALUES		
C8083	1-130-495-00	MYLAR	0.1 $\mu$ F	5%	50V	C8132	1-126-927-11	ELECT	2200 $\mu$ F	20%	10V
C8084	1-130-992-11	FILM	0.022 $\mu$ F	5%	50V	C8133	1-107-649-11	ELECT	2.2 $\mu$ F	20%	250V
C8085	1-162-924-11	CERAMIC CHIP	56pF	5%	50V	C8135	1-117-813-11	FILM	0.75 $\mu$ F	5%	250V
C8086	1-162-970-11	CERAMIC CHIP	0.01 $\mu$ F	10%	25V	C8136	1-130-495-00	MYLAR	0.1 $\mu$ F	5%	50V
C8087	1-126-960-11	ELECT	1 $\mu$ F	20%	50V	C8137	1-126-927-11	ELECT	2200 $\mu$ F	20%	10V
C8088	1-126-964-11	ELECT	10 $\mu$ F	20%	50V	C8138	1-162-964-11	CERAMIC CHIP	0.001 $\mu$ F	10%	50V
C8089	1-162-134-11	CERAMIC	470pF	10%	2KV	C8139	1-126-964-11	ELECT	10 $\mu$ F	20%	50V
C8090	1-126-960-11	ELECT	1 $\mu$ F	20%	50V	C8140	1-102-030-00	CERAMIC	330pF	10%	500V
C8091	1-104-665-11	ELECT	100 $\mu$ F	20%	25V	C8141	1-162-927-11	CERAMIC CHIP	100pF	5%	50V
C8092	1-117-640-11	FILM	6800pF	3%	1.2KV	C8142	1-117-664-11	FILM	0.27 $\mu$ F	5%	250V
C8093	1-107-648-91	ELECT	100 $\mu$ F	20%	160V	C8143	1-109-889-11	ELECT	1 $\mu$ F	20%	50V
C8094	1-126-947-11	ELECT	47 $\mu$ F	20%	25V	C8145	1-162-970-11	CERAMIC CHIP	0.01 $\mu$ F	10%	25V
C8095	1-162-970-11	CERAMIC CHIP	0.01 $\mu$ F	10%	25V	C8146	1-162-970-11	CERAMIC CHIP	0.01 $\mu$ F	10%	25V
C8096	1-136-684-51	MYLAR	0.0022 $\mu$ F	10%	100V	C8153	1-126-960-11	ELECT	1 $\mu$ F	20%	50V
C8097	1-162-131-11	CERAMIC	220pF	10%	2KV	C8154	1-126-947-11	ELECT	47 $\mu$ F	20%	16V
C8098	1-162-131-11	CERAMIC	220pF	10%	2KV	C8155	1-126-947-11	ELECT	47 $\mu$ F	20%	16V
C8099	1-115-416-11	CERAMIC CHIP	0.001 $\mu$ F	5%	25V	C8156	1-107-636-11	ELECT	10 $\mu$ F	20%	160V
C8100	1-104-665-11	ELECT	100 $\mu$ F	20%	25V	C8158	1-107-826-11	CERAMIC CHIP	0.1 $\mu$ F	10%	16V
C8102	1-162-318-11	CERAMIC	0.001 $\mu$ F	10%	500V	C8159	1-106-383-00	MYLAR	0.047 $\mu$ F	10%	200V
C8103	1-126-964-11	ELECT	10 $\mu$ F	20%	50V	C8160	1-127-715-91	CERAMIC CHIP	0.22 $\mu$ F	10%	16V
C8104	1-162-965-11	CERAMIC CHIP	0.0015 $\mu$ F	10%	50V	C8162	1-162-318-11	CERAMIC	0.001 $\mu$ F	10%	500V
C8105	1-107-826-11	CERAMIC CHIP	0.1 $\mu$ F	10%	16V	C8163	1-126-960-11	ELECT	1 $\mu$ F	20%	50V
C8106	1-107-826-11	CERAMIC CHIP	0.1 $\mu$ F	10%	16V	C8165	1-126-965-91	ELECT	22 $\mu$ F	20%	50V
C8107	1-136-187-11	MYLAR	0.047 $\mu$ F	10%	250V						
C8108	1-126-964-11	ELECT	10 $\mu$ F	20%	50V			<b>CONNECTOR</b>			
C8109	1-162-924-11	CERAMIC CHIP	56pF	5%	50V	*	CN8003	1-691-135-11	PIN,CONNECTOR (PC BOARD)	4P	
C8110	1-126-960-11	ELECT	1 $\mu$ F	20%	50V	*	CN8006	1-564-506-11	PLUG,CONNECTOR	3P	
C8111	1-126-960-11	ELECT	1 $\mu$ F	20%	50V	*	CN8007	1-564-506-11	PLUG,CONNECTOR	3P	
C8113	1-130-495-00	MYLAR	0.1 $\mu$ F	5%	50V	*	CN8008	1-564-506-11	PLUG,CONNECTOR	3P	
C8114	1-125-473-11	ELECT(BLOCK)	1000 $\mu$ F	20%	160V	*	CN8009	1-564-506-11	PLUG,CONNECTOR	3P	
C8115	1-107-826-11	CERAMIC CHIP	0.1 $\mu$ F	10%	16V	*	CN8010	1-564-507-11	PLUG,CONNECTOR	4P	
C8116	1-107-826-11	CERAMIC CHIP	0.1 $\mu$ F	10%	16V	*	CN8011	1-564-507-11	PLUG,CONNECTOR	4P	
C8117	1-162-318-11	CERAMIC	0.001 $\mu$ F	10%	500V	*	CN8012	1-564-507-11	PLUG,CONNECTOR	4P	
C8118	1-136-189-00	MYLAR	0.1 $\mu$ F	10%	250V		CN8013	1-779-092-11	PIN,CONNECTOR (PC BOARD)	10P	
C8120	1-107-826-11	CERAMIC CHIP	0.1 $\mu$ F	10%	16V	*	CN8015	1-506-371-00	PIN,CONNECTOR	2P	
C8121	1-115-349-51	CERAMIC	0.01 $\mu$ F		2KV	*	CN8016	1-564-507-11	PLUG,CONNECTOR	4P	
C8122	1-126-934-11	ELECT	220 $\mu$ F	20%	16V	*	CN8018	1-580-689-11	PIN,CONNECTOR (PC BOARD)	4P	
C8123	1-107-444-11	CERAMIC	100pF	10%	2KV	*	CN8019	1-580-689-11	PIN,CONNECTOR (PC BOARD)	4P	
$\triangle$ C8124	1-117-642-11	FILM	8200pF	3%	1.2KV	*	CN8020	1-580-689-11	PIN,CONNECTOR (PC BOARD)	4P	
C8125	1-107-826-11	CERAMIC CHIP	0.1 $\mu$ F	10%	16V	*	CN8022	1-564-510-11	PLUG,CONNECTOR	7P	
C8126	1-106-357-00	MYLAR	0.0039 $\mu$ F	20%	200V	*	CN8023	1-564-507-11	PLUG,CONNECTOR	4P	
C8127	1-126-942-61	ELECT	1000 $\mu$ F	20%	25V	*	CN8025	1-779-890-11	CONNECTOR, BOARD TO BOARD	10P	
C8129	1-137-150-11	MYLAR	0.01 $\mu$ F	5%	50V		CN8026	1-573-298-21	CONNECTOR, BOARD TO BOARD	20P	
C8131	1-128-582-11	ELECT	10 $\mu$ F	20%	100V		CN8027	1-573-298-21	CONNECTOR, BOARD TO BOARD	20P	













REF. NO.	PART NO.	DESCRIPTION	VALUES	REF. NO.	PART NO.	DESCRIPTION	VALUES
* CN8028	1-564-507-11	PLUG,CONNECTOR	4P	<b>FERRITE BEAD</b>			
* CN8029	1-564-510-11	PLUG,CONNECTOR	7P	FB8001	1-410-397-21	FERRITE	1.1µH
* CN8030	1-564-510-11	PLUG,CONNECTOR	7P	FB8002	1-410-397-21	FERRITE	1.1µH
* CN8031	1-779-890-11	CONNECTOR, BOARD TO BOARD	10P	FB8005	1-469-869-21	FERRITE	0µH
<b>DIODE</b>				FB8006	1-469-869-21	FERRITE	0µH
D8001	8-719-109-89	DIODE MTZJ-T-77-5.6B		FB8014	1-469-869-21	FERRITE	0µH
D8002	8-719-110-53	DIODE MTZJ-T-77-20B		FB8015	1-469-869-21	FERRITE	0µH
D8003	8-719-924-13	DIODE MTZJ-T-77-22B		FB8016	1-469-869-21	FERRITE	0µH
D8004	8-719-908-03	DIODE GP08DPKG23		FB8017	1-469-869-21	FERRITE	0µH
D8005	8-719-988-61	DIODE 1SS355TE-17		FB8018	1-469-869-21	FERRITE	0µH
D8006	8-719-988-61	DIODE 1SS355TE-17		FB8021	1-410-397-21	FERRITE	1.1µH
D8008	8-719-988-61	DIODE 1SS355TE-17		FB8022	1-410-396-41	FERRITE	0.45µH
D8010	8-719-988-61	DIODE 1SS355TE-17		FB8023	1-410-396-41	FERRITE	0.45µH
D8011	8-719-988-61	DIODE 1SS355TE-17		<b>IC</b>			
D8012	8-719-988-61	DIODE 1SS355TE-17		IC8001	8-749-019-08	IC STK392-560	
D8013	8-719-109-85	DIODE MTZJ-T-77-5.1B		IC8002	8-749-019-08	IC STK392-560	
D8014	8-719-109-85	DIODE MTZJ-T-77-5.1B		IC8003	8-759-593-33	IC LA78045	
D8015	8-719-988-61	DIODE 1SS355TE-17		IC8004	8-759-701-79	IC NJM7812FA	
D8016	8-719-988-61	DIODE 1SS355TE-17		IC8005	8-759-585-82	IC BA9759F-E2	
D8019	8-719-988-61	DIODE 1SS355TE-17		IC8006	8-759-700-07	IC NJM2903M-TE2	
D8020	8-719-988-61	DIODE 1SS355TE-17		IC8007	8-759-700-07	IC NJM2903M-TE2	
D8022	8-719-988-61	DIODE 1SS355TE-17		IC8008	8-759-585-82	IC BA9759F-E2	
D8023	8-719-988-61	DIODE 1SS355TE-17		IC8009	8-759-803-42	IC LA6500P-FA	
D8024	8-719-110-41	DIODE MTZJ-T-77-15B		IC8010	8-759-471-81	IC PQ05RD11	
D8025	8-719-988-61	DIODE 1SS355TE-17		IC8012	8-759-701-01	IC NJM2904M(Te2)	
D8026	8-719-109-89	DIODE MTZJ-T-77-5.6B		<b>COIL</b>			
D8027	8-719-028-45	DIODE D2L20U-TA		L8001	1-412-533-21	INDUCTOR	47µH
D8028	8-719-110-41	DIODE MTZJ-T-77-15B		L8002	1-412-533-21	INDUCTOR	47µH
D8029	8-719-027-43	DIODE S2L20µF		L8003	1-412-525-31	INDUCTOR	10µH
D8030	8-719-027-43	DIODE S2L20µF		L8004	1-412-533-21	INDUCTOR	47µH
D8032	8-719-302-43	DIODE RGP10GPKG23		L8005	1-412-533-21	INDUCTOR	47µH
D8033	8-719-028-72	DIODE RGP02-17EL-6433		L8006	1-412-525-31	INDUCTOR	10µH
D8036	8-719-110-41	DIODE MTZJ-T-77-15B		L8007	1-412-533-21	INDUCTOR	47µH
D8037	8-719-028-45	DIODE D2L20U-F		L8008	1-412-533-21	INDUCTOR	47µH
D8038	8-719-302-43	DIODE RGP10GPKG23		L8009	1-412-525-31	INDUCTOR	10µH
D8039	8-719-028-72	DIODE RGP02-17PKG23		L8010	1-414-187-11	INDUCTOR	47µH
D8042	8-719-988-61	DIODE 1SS355TE-17		L8011	1-414-856-11	INDUCTOR	10µH
D8043	8-719-988-61	DIODE 1SS355TE-17		L8012	1-414-187-11	INDUCTOR	47µH
D8045	8-719-908-03	DIODE GP08DPKG23		L8013	1-414-856-11	INDUCTOR	10µH
D8047	8-719-988-61	DIODE 1SS355TE-17		L8014	1-414-189-31	INDUCTOR	100µH
D8050	8-719-988-61	DIODE 1SS355TE-17		L8015	1-414-189-31	INDUCTOR	100µH
D8051	8-719-988-61	DIODE 1SS355TE-17					
D8052	8-719-988-61	DIODE 1SS355TE-17					

NOTE: The components identified by shading and  mark are critical for safety. Replace only with part number specified.

NOTE: Les composants identifiés par un trame et une  sont critiques pour la securite. Ne les remplacer que par une piece portant le numero specifie.




REF. NO.	PART NO.	DESCRIPTION	VALUES	REF. NO.	PART NO.	DESCRIPTION	VALUES
L8016	1-412-537-31	INDUCTOR	100µH	Q8021	8-729-120-28	TRANSISTOR 2SC2412K-T-146-QR	
L8017	1-414-856-11	INDUCTOR	10µH	Q8022	8-729-120-28	TRANSISTOR 2SC2412K-T-146-QR	
L8018	1-406-667-11	INDUCTOR	220µH	Q8023	8-729-048-47	TRANSISTOR 2SC2688(5)-LK	
L8019	1-456-109-11	COIL,HORIZONTAL LINEARITY(HLC)		Q8024	6-550-144-01	TRANSISTOR 2SC5778-YB	
L8020	1-412-525-31	INDUCTOR	10µH	Q8027	6-550-153-01	TRANSISTOR FQpF12P20XDTU	
L8021	1-406-659-11	INDUCTOR	10µH	Q8028	8-729-120-28	TRANSISTOR 2SC2412K-T-146-QR	
L8022	1-412-552-11	INDUCTOR	2.2MH	Q8029	8-729-120-28	TRANSISTOR 2SC2412K-T-146-QR	
L8025	1-414-856-11	INDUCTOR	10µH	Q8030	8-729-026-49	TRANSISTOR 2SA1037AK-T146-QR	
L8026	1-414-856-11	INDUCTOR	10µH	Q8031	8-729-120-28	TRANSISTOR 2SC2412K-T-146-QR	
L8028	1-414-187-11	INDUCTOR	47µH	Q8035	6-550-153-01	TRANSISTOR FQpF12P20XDTU	
L8029	1-414-187-11	INDUCTOR	47µH	Q8039	8-729-048-47	TRANSISTOR 2SC2688(5)-LK	
L8030	1-414-187-11	INDUCTOR	47µH	Q8041	8-729-026-49	TRANSISTOR 2SA1037AK-T146-QR	
L8031	1-414-187-11	INDUCTOR	47µH	Q8042	8-729-048-47	TRANSISTOR 2SC2688(5)-LK	
L8032	1-414-856-11	INDUCTOR	10µH	Q8043	6-550-144-01	TRANSISTOR 2SC5778-YB	
L8033	1-414-856-11	INDUCTOR	10µH	Q8044	8-729-120-28	TRANSISTOR 2SC2412K-T-146-QR	
				Q8101	8-729-026-49	TRANSISTOR 2SA1037AK-T146-QR	
	<b>NEON LAMP</b>				<b>RESISTOR</b>		
NL8001	1-517-778-21	LAMP, NEON		R8001	1-216-825-11	RES-CHIP	2.2K 5% 1/10W
				R8002	1-216-809-11	RES-CHIP	100 5% 1/10W
				R8003	1-216-809-11	RES-CHIP	100 5% 1/10W
				R8004	1-216-809-11	RES-CHIP	100 5% 1/10W
				R8005	1-215-875-11	METAL OXIDE	10K 5% 1W
	<b>IC LINK</b>			R8007	1-216-809-11	RES-CHIP	100 5% 1/10W
	PS8001	1-533-595-31	LINK, IC	R8008	1-216-809-11	RES-CHIP	100 5% 1/10W
	PS8002	1-533-595-31	LINK, IC	R8009	1-216-809-11	RES-CHIP	100 5% 1/10W
	PS8003	1-533-595-31	LINK, IC	R8010	1-260-131-11	CARBON	470K 5% 1/2W
	PS8004	1-533-595-31	LINK, IC	R8011	1-216-829-11	RES-CHIP	4.7K 5% 1/10W
	PS8005	1-533-595-31	LINK, IC	R8012	1-216-829-11	RES-CHIP	4.7K 5% 1/10W
	PS8006	1-533-595-31	LINK, IC	R8013	1-218-710-11	METAL CHIP	5.6K 0.50% 1/16W
	PS8007	1-533-594-31	LINK, IC	R8014	1-218-710-11	METAL CHIP	5.6K 0.50% 1/16W
PS8008	1-532-685-00	LINK, IC	0.8A/150V	R8015	1-216-837-11	RES-CHIP	22K 5% 1/10W
	<b>TRANSISTOR</b>			R8016	1-216-829-11	RES-CHIP	4.7K 5% 1/10W
Q8001	8-729-120-28	TRANSISTOR 2SC2412K-T-146-QR		R8017	1-216-829-11	RES-CHIP	4.7K 5% 1/10W
Q8002	8-729-046-80	TRANSISTOR 2SC4634LS-CB11		R8018	1-216-821-11	RES-CHIP	1K 5% 1/10W
Q8003	8-729-026-49	TRANSISTOR 2SA1037AK-T146-QR		R8019	1-218-712-11	METAL CHIP	6.8K 0.50% 1/16W
Q8004	8-729-026-49	TRANSISTOR 2SA1037AK-T146-QR		R8020	1-216-829-11	RES-CHIP	4.7K 5% 1/10W
Q8007	8-729-046-80	TRANSISTOR 2SC4634LS-CB11		 R8021	1-216-833-11	RES-CHIP	10K 5% 1/10W
Q8008	8-729-207-89	TRANSISTOR 2SA1358-Y		R8022	1-216-839-11	RES-CHIP	33K 5% 1/10W
Q8009	8-729-207-82	TRANSISTOR 2SC3421-Y		R8023	1-216-833-11	RES-CHIP	10K 5% 1/10W
Q8010	8-729-120-28	TRANSISTOR 2SC2412K-T-146-QR		R8024	1-216-833-11	RES-CHIP	10K 5% 1/10W
Q8011	8-729-026-49	TRANSISTOR 2SA1037AK-T146-QR		R8025	1-216-829-11	RES-CHIP	4.7K 5% 1/10W
Q8014	8-729-120-28	TRANSISTOR 2SC2412K-T-146-QR		R8026	1-216-829-11	RES-CHIP	4.7K 5% 1/10W
Q8015	8-729-120-28	TRANSISTOR 2SC2412K-T-146-QR					
Q8016	8-729-120-28	TRANSISTOR 2SC2412K-T-146-QR					
Q8019	8-729-026-49	TRANSISTOR 2SA1037AK-T146-QR					
Q8020	8-729-120-28	TRANSISTOR 2SC2412K-T-146-QR					


NOTE: The components identified by shading and  $\triangle$  mark are critical for safety. Replace only with part number specified.

NOTE: Les composants identifiés par un trame et une marque  $\triangle$  sont critiques pour la sécurité. Ne les remplacer que par une pièce portant le numéro spécifique.









REF. NO.	PART NO.	DESCRIPTION	VALUES			REF. NO.	PART NO.	DESCRIPTION	VALUES		
R8029	1-216-829-11	RES-CHIP	4.7K	5%	1/10W	R8078	1-214-808-11	METAL	4.7	1%	1/2W
R8030	1-215-903-11	METAL OXIDE	68K	5%	2W	R8079	1-214-808-11	METAL	4.7	1%	1/2W
R8031	1-216-829-11	RES-CHIP	4.7K	5%	1/10W	R8080	1-216-353-00	METAL OXIDE	2.2	5%	1W
R8032	1-216-821-11	RES-CHIP	1K	5%	1/10W	R8081	1-214-808-11	METAL	4.7	1%	1/2W
R8033	1-216-833-11	RES-CHIP	10K	5%	1/10W	R8082	1-214-808-11	METAL	4.7	1%	1/2W
R8034	1-216-833-11	RES-CHIP	10K	5%	1/10W	R8083	1-216-821-11	RES-CHIP	1K	5%	1/10W
R8035	1-218-692-11	METAL CHIP	1K	0.50%	1/16W	R8084	1-216-833-11	RES-CHIP	10K	5%	1/10W
R8036	1-214-800-11	METAL	2.2	1%	1/2W	R8085	1-214-808-11	METAL	4.7	1%	1/2W
R8037	1-215-903-11	METAL OXIDE	68K	5%	2W	R8086	1-214-808-11	METAL	4.7	1%	1/2W
R8038	1-216-809-11	RES-CHIP	100	5%	1/10W	$\triangle$ R8087	1-249-385-11	CARBON	2.2	5%	1/4W
R8039	1-214-800-11	METAL	2.2	1%	1/2W	$\triangle$ R8088	1-249-385-11	CARBON	2.2	5%	1/4W
R8040	1-215-913-11	METAL OXIDE	220	5%	3W	R8089	1-214-808-11	METAL	4.7	1%	1/2W
R8041	1-218-710-11	METAL CHIP	5.6K	0.50%	1/16W	R8090	1-214-808-11	METAL	4.7	1%	1/2W
R8042	1-216-826-11	RES-CHIP	2.7K	5%	1/10W	R8091	1-214-808-11	METAL	4.7	1%	1/2W
R8043	1-218-740-11	METAL CHIP	100K	0.50%	1/16W	R8092	1-214-808-11	METAL	4.7	1%	1/2W
R8044	1-218-712-11	METAL CHIP	6.8K	0.50%	1/16W	R8093	1-214-808-11	METAL	4.7	1%	1/2W
R8045	1-214-808-11	METAL	4.7	1%	1/2W	R8094	1-214-808-11	METAL	4.7	1%	1/2W
R8046	1-214-808-11	METAL	4.7	1%	1/2W	R8095	1-216-801-11	RES-CHIP	22	5%	1/10W
R8047	1-215-857-71	METAL OXIDE	10	5%	1W	R8096	1-216-801-11	RES-CHIP	22	5%	1/10W
R8048	1-216-833-11	RES-CHIP	10K	5%	1/10W	R8097	1-214-808-11	METAL	4.7	1%	1/2W
R8050	1-216-833-11	RES-CHIP	10K	5%	1/10W	R8098	1-214-808-11	METAL	4.7	1%	1/2W
R8051	1-214-808-11	METAL	4.7	1%	1/2W	R8100	1-216-475-11	METAL OXIDE	120	5%	3W
R8053	1-214-808-11	METAL	4.7	1%	1/2W	R8101	1-216-475-11	METAL OXIDE	120	5%	3W
R8055	1-218-748-11	METAL CHIP	220K	0.50%	1/16W	R8102	1-218-734-11	METAL CHIP	56K	0.50%	1/16W
R8056	1-216-829-11	RES-CHIP	4.7K	5%	1/10W	R8103	1-216-816-11	RES-CHIP	390	5%	1/10W
R8057	1-216-829-11	RES-CHIP	4.7K	5%	1/10W	R8104	1-216-828-11	RES-CHIP	3.9K	5%	1/10W
R8058	1-216-809-11	RES-CHIP	100	5%	1/10W	R8105	1-214-808-11	METAL	4.7	1%	1/2W
R8059	1-214-808-11	METAL	4.7	1%	1/2W	R8106	1-214-808-11	METAL	4.7	1%	1/2W
R8060	1-214-808-11	METAL	4.7	1%	1/2W	R8109	1-216-813-11	RES-CHIP	220	5%	1/10W
R8061	1-216-392-11	METAL OXIDE	1.8	5%	3W	R8110	1-249-424-11	CARBON	3.9K	5%	1/4W
R8062	1-260-107-11	CARBON	4.7K	5%	1/2W	R8111	1-216-819-11	RES-CHIP	680	5%	1/10W
R8063	1-214-808-11	METAL	4.7	1%	1/2W	R8112	1-216-824-11	RES-CHIP	1.8K	5%	1/10W
R8064	1-214-808-11	METAL	4.7	1%	1/2W	R8113	1-216-475-11	METAL OXIDE	120	5%	3W
R8065	1-260-328-11	CARBON	1K	5%	1/2W	R8114	1-216-475-11	METAL OXIDE	120	5%	3W
R8066	1-214-808-11	METAL	4.7	1%	1/2W	R8115	1-216-475-11	METAL OXIDE	120	5%	3W
R8067	1-214-808-11	METAL	4.7	1%	1/2W	R8116	1-216-475-11	METAL OXIDE	120	5%	3W
R8068	1-216-809-11	RES-CHIP	100	5%	1/10W	R8117	1-216-833-11	RES-CHIP	10K	5%	1/10W
R8069	1-214-808-11	METAL	4.7	1%	1/2W	R8118	1-216-833-11	RES-CHIP	10K	5%	1/10W
R8070	1-214-808-11	METAL	4.7	1%	1/2W	R8119	1-216-833-11	RES-CHIP	10K	5%	1/10W
R8071	1-215-381-00	METAL	22	1%	1/4W	R8120	1-216-833-11	RES-CHIP	10K	5%	1/10W
R8073	1-214-808-11	METAL	4.7	1%	1/2W	R8121	1-216-809-11	RES-CHIP	100	5%	1/10W
R8075	1-214-808-11	METAL	4.7	1%	1/2W	R8123	1-216-821-11	RES-CHIP	1K	5%	1/10W
R8076	1-216-829-11	RES-CHIP	4.7K	5%	1/10W	R8124	1-249-377-11	CARBON	0.47	5%	1/4W
R8077	1-216-829-11	RES-CHIP	4.7K	5%	1/10W	R8125	1-216-816-11	RES-CHIP	390	5%	1/10W


NOTE: The components identified by shading and  mark are critical for safety. Replace only with part number specified.

NOTE: Les composants identifiés par un trame et une  sont critiques pour la sécurité. Ne les remplacer que par une pièce portant le numéro spécifique.









REF. NO.	PART NO.	DESCRIPTION	VALUES			REF. NO.	PART NO.	DESCRIPTION	VALUES		
R8126	1-216-823-11	RES-CHIP	1.5K	5%	1/10W	R8173	1-216-845-11	RES-CHIP	100K	5%	1/10W
R8127	1-216-341-11	METAL OXIDE	0.22	5%	1W	R8174	1-249-425-11	CARBON	4.7K	5%	1/4W
R8128	1-216-845-11	RES-CHIP	100K	5%	1/10W	R8176	1-218-740-11	METAL CHIP	100K	0.50%	1/16W
R8129	1-216-825-11	RES-CHIP	2.2K	5%	1/10W	R8178	1-216-841-11	RES-CHIP	47K	5%	1/10W
R8130	1-216-825-11	RES-CHIP	2.2K	5%	1/10W	R8180	1-216-845-11	RES-CHIP	100K	5%	1/10W
R8131	1-216-833-11	RES-CHIP	10K	5%	1/10W	R8181	1-216-845-11	RES-CHIP	100K	5%	1/10W
R8132	1-216-833-11	RES-CHIP	10K	5%	1/10W	R8182	1-218-740-11	METAL CHIP	100K	0.50%	1/16W
R8133	1-215-923-00	METAL OXIDE	10K	5%	3W	R8183	1-218-740-11	METAL CHIP	100K	0.50%	1/16W
R8134	1-215-873-00	METAL OXIDE	4.7K	5%	1W	R8189	1-249-377-11	CARBON	0.47	5%	1/4W
R8135	1-215-923-00	METAL OXIDE	10K	5%	3W	R8190	1-215-429-00	METAL	2.2K	1%	1/4W
R8136	1-216-833-11	RES-CHIP	10K	5%	1/10W	R8191	1-215-415-00	METAL	560	1%	1/4W
R8137	1-218-740-11	METAL CHIP	100K	0.50%	1/16W	R8192	1-215-445-00	METAL	10K	1%	1/4W
R8138	1-216-833-11	RES-CHIP	10K	5%	1/10W	R8193	1-215-445-00	METAL	10K	1%	1/4W
R8139	1-216-827-11	RES-CHIP	3.3K	5%	1/10W	R8194	1-215-445-00	METAL	10K	1%	1/4W
R8140	1-216-833-11	RES-CHIP	10K	5%	1/10W	R8195	1-215-445-00	METAL	10K	1%	1/4W
R8141	1-216-827-11	RES-CHIP	3.3K	5%	1/10W	R8196	1-249-425-11	CARBON	4.7K	5%	1/4W
R8142	1-216-833-11	RES-CHIP	10K	5%	1/10W	R8198	1-215-445-00	METAL	10K	1%	1/4W
R8143	1-218-734-11	METAL CHIP	56K	0.50%	1/16W	R8201	1-249-397-11	CARBON	22	5%	1/4W
R8144	1-216-809-11	RES-CHIP	100	5%	1/10W	R8202	1-260-092-11	CARBON	270	5%	1/2W
R8145	1-218-716-11	METAL CHIP	10K	0.50%	1/16W	 R8205	1-249-377-11	CARBON	0.47	5%	1/4W
R8146	1-218-716-11	METAL CHIP	10K	0.50%	1/16W	R8206	1-249-377-11	CARBON	0.47	5%	1/4W
R8147	1-218-710-11	METAL CHIP	5.6K	0.50%	1/16W	R8208	1-260-288-11	CARBON	0.47	5%	1/2W
R8148	1-218-740-11	METAL CHIP	100K	0.50%	1/16W	R8209	1-216-833-11	RES-CHIP	10K	5%	1/10W
R8149	1-249-401-11	CARBON	47	5%	1/4W	R8210	1-216-809-11	RES-CHIP	100	5%	1/10W
R8150	1-218-740-11	METAL CHIP	100K	0.50%	1/16W	R8211	1-215-906-11	METAL OXIDE	15	5%	3W
R8151	1-218-692-11	METAL CHIP	1K	0.50%	1/16W	R8212	1-215-907-11	METAL OXIDE	22	5%	3W
R8152	1-218-716-11	METAL CHIP	10K	0.50%	1/16W	R8213	1-216-821-11	RES-CHIP	1K	5%	1/10W
R8153	1-218-692-11	METAL CHIP	1K	0.50%	1/16W	R8216	1-216-833-11	RES-CHIP	10K	5%	1/10W
R8154	1-218-728-11	METAL CHIP	33K	0.50%	1/16W	R8217	1-216-821-11	RES-CHIP	1K	5%	1/10W
R8155	1-215-469-00	METAL	100K	1%	1/4W	R8218	1-260-123-11	CARBON	100K	5%	1/2W
R8156	1-215-469-00	METAL	100K	1%	1/4W	 R8219	1-249-377-11	CARBON	0.47	5%	1/4W
R8157	1-218-738-11	METAL CHIP	82K	0.50%	1/16W	R8220	1-216-821-11	RES-CHIP	1K	5%	1/10W
R8159	1-216-833-11	RES-CHIP	10K	5%	1/10W	R8222	1-216-341-11	METAL OXIDE	0.22	5%	1W
R8161	1-216-845-11	RES-CHIP	100K	5%	1/10W	R8223	1-218-752-11	METAL CHIP	330K	0.50%	1/16W
R8162	1-249-377-11	CARBON	0.47	5%	1/4W	R8224	1-260-127-11	CARBON	220K	5%	1/2W
R8163	1-216-845-11	RES-CHIP	100K	5%	1/10W	 R8225	1-260-292-11	CARBON	1	5%	1/2W
R8164	1-218-734-11	METAL CHIP	56K	0.50%	1/16W	 R8228	1-260-314-11	CARBON	68	5%	1/2W
R8165	1-249-425-11	CARBON	4.7K	5%	1/4W	R8230	1-218-751-11	METAL CHIP	300K	0.50%	1/16W
R8166	1-218-716-11	METAL CHIP	10K	0.50%	1/16W	R8232	1-216-809-11	RES-CHIP	100	5%	1/10W
R8168	1-216-809-11	RES-CHIP	100	5%	1/10W	R8233	1-216-809-11	RES-CHIP	100	5%	1/10W
R8169	1-216-845-11	RES-CHIP	100K	5%	1/10W	R8234	1-216-809-11	RES-CHIP	100	5%	1/10W
R8170	1-218-712-11	METAL CHIP	6.8K	0.50%	1/16W	R8235	1-216-809-11	RES-CHIP	100	5%	1/10W
R8171	1-216-809-11	RES-CHIP	100	5%	1/10W	R8236	1-216-855-11	RES-CHIP	680K	5%	1/10W
 R8172	1-249-405-11	CARBON	100	5%	1/4W	R8237	1-216-855-11	RES-CHIP	680K	5%	1/10W

NOTE: The components identified by shading and  mark are critical for safety. Replace only with part number specified.

A component identified by this  symbol indicates that it has been carefully factory-selected to satisfy regulations regarding X-ray radiation. Should replacement be required, replace only with the value originally used.



REF. NO.	PART NO.	DESCRIPTION	VALUES			REF. NO.	PART NO.	DESCRIPTION	VALUES		
R8242	1-216-864-11	SHORT CHIP	0			C2006	1-164-156-11	CERAMIC CHIP	0.1µF		25V
R8243	1-216-809-11	RES-CHIP	100	5%	1/10W	C2007	1-126-964-11	ELECT	10µF	20%	50V
R8249	1-215-923-00	METAL OXIDE	10K	5%	3W	C2010	1-164-156-11	CERAMIC CHIP	0.1µF		25V
R8250	1-215-923-00	METAL OXIDE	10K	5%	3W	C2011	1-164-156-11	CERAMIC CHIP	0.1µF		25V
R8251	1-216-821-11	RES-CHIP	1K	5%	1/10W	C2012	1-107-826-11	CERAMIC CHIP	0.1µF	10%	16V
R8253	1-216-816-11	RES-CHIP	390	5%	1/10W	C2014	1-164-156-11	CERAMIC CHIP	0.1µF		25V
R8254	1-216-823-11	RES-CHIP	1.5K	5%	1/10W	C2015	1-164-156-11	CERAMIC CHIP	0.1µF		25V
R8255	1-215-873-00	METAL OXIDE	4.7K	5%	1W	C2017	1-126-964-11	ELECT	10µF	20%	50V
R8256	1-249-401-11	CARBON	47	5%	1/4W	C2019	1-126-964-11	ELECT	10µF	20%	50V
R8258	1-216-833-11	RES-CHIP	10K	5%	1/10W	C2020	1-126-964-11	ELECT	10µF	20%	50V
R8259	1-216-809-11	RES-CHIP	100	5%	1/10W	C2022	1-126-964-11	ELECT	10µF	20%	50V
R8260	1-216-845-11	RES-CHIP	100K	5%	1/10W	C2024	1-126-933-11	ELECT	100µF	20%	16V
R8261	1-216-845-11	RES-CHIP	100K	5%	1/10W	C2025	1-164-156-11	CERAMIC CHIP	0.1µF		25V
R8262	1-216-845-11	RES-CHIP	100K	5%	1/10W	C2027	1-126-964-11	ELECT	10µF	20%	50V
R8263	1-216-845-11	RES-CHIP	100K	5%	1/10W	C2028	1-126-933-11	ELECT	100µF	20%	16V
<b>TRANSFORMER</b>						C2029	1-126-964-11	ELECT	10µF	20%	50V
T8001	1-437-708-11	TRANSFORMER, FERRITE (DFT)				C2031	1-107-826-11	CERAMIC CHIP	0.1µF	10%	16V
T8002	1-437-739-11	TRANSFORMER, FERRITE (HDT)				C2032	1-107-826-11	CERAMIC CHIP	0.1µF	10%	16V
T8003	1-437-401-11	TRANSFORMER, FERRITE (HOT)				C2033	1-126-933-11	ELECT	100µF	20%	16V
 T8004	1-437-399-21	TRANSFORMER, FERRITE (LOT)				C2034	1-162-917-11	CERAMIC CHIP	15pF	5%	50V
 T8005	1-453-285-51	FBT ASSY NX-4006//X4P4				C2035	1-162-917-11	CERAMIC CHIP	15pF	5%	50V
T8006	1-437-739-11	TRANSFORMER, FERRITE (HDT)				C2036	1-164-156-11	CERAMIC CHIP	0.1µF		25V
<b>THERMISTOR</b>						C2037	1-164-156-11	CERAMIC CHIP	0.1µF		25V
TH8001	1-800-193-00	THERMISTOR				C2038	1-162-916-11	CERAMIC CHIP	12pF	5%	50V
<b>VARIABLE RESISTOR</b>						C2039	1-107-826-11	CERAMIC CHIP	0.1µF	10%	16V
  VR8001	1-225-627-91	RES, VAR, ADJ, CERMET	2K			C2040	1-125-891-11	CERAMIC CHIP	0.47µF	10%	10V
  VR8002	1-225-630-91	RES, VAR, ADJ, CERMET	20K			C2041	1-107-826-11	CERAMIC CHIP	0.1µF	10%	16V
<b>M</b>						C2042	1-107-826-11	CERAMIC CHIP	0.1µF	10%	16V
The M board is <b>not</b> field repairable. If service is required, use the following part number to order a complete replacement board. Data is provided for reference only.						C2043	1-107-826-11	CERAMIC CHIP	0.1µF	10%	16V
*	<b>A-1300-646-A</b>	<b>M BOARD, COMPLETE</b>				C2044	1-164-315-11	CERAMIC CHIP	470pF	5%	50V
<b>CAPACITOR</b>						C2045	1-126-933-11	ELECT	100µF	20%	16V
C2001	1-162-917-11	CERAMIC CHIP	15pF	5%	50V	C2046	1-107-826-11	CERAMIC CHIP	0.1µF	10%	16V
C2002	1-126-933-11	ELECT	100µF	20%	16V	C2047	1-107-826-11	CERAMIC CHIP	0.1µF	10%	16V
C2003	1-164-156-11	CERAMIC CHIP	0.1µF		25V	C2048	1-164-315-11	CERAMIC CHIP	470pF	5%	50V
C2004	1-164-227-11	CERAMIC CHIP	0.022µF	10%	25V	C2049	1-162-916-11	CERAMIC CHIP	12pF	5%	50V
C2005	1-162-964-11	CERAMIC CHIP	0.001µF	10%	50V	C2050	1-164-156-11	CERAMIC CHIP	0.1µF		25V
						C2051	1-125-837-91	CERAMIC CHIP	1µF	10%	6.3V
						C2052	1-125-891-11	CERAMIC CHIP	0.47µF	10%	10V
						C2053	1-125-891-11	CERAMIC CHIP	0.47µF	10%	10V
						C2054	1-107-826-11	CERAMIC CHIP	0.1µF	10%	16V
						C2055	1-126-933-11	ELECT	100µF	20%	16V
						C2056	1-125-891-11	CERAMIC CHIP	0.47µF	10%	10V
						C2057	1-164-156-11	CERAMIC CHIP	0.1µF		25V
						C2058	1-126-963-11	ELECT	4.7µF	20%	50V





REF. NO.	PART NO.	DESCRIPTION	VALUES			REF. NO.	PART NO.	DESCRIPTION	VALUES		
C2059	1-107-826-11	CERAMIC CHIP	0.1μF	10%	16V	C2108	1-126-933-11	ELECT	100μF	20%	16V
C2060	1-107-826-11	CERAMIC CHIP	0.1μF	10%	16V	C2109	1-125-837-91	CERAMIC CHIP	1μF	10%	6.3V
C2061	1-107-826-11	CERAMIC CHIP	0.1μF	10%	16V	C2111	1-126-964-11	ELECT	10μF	20%	50V
C2062	1-164-156-11	CERAMIC CHIP	0.1μF		25V	C2112	1-126-964-11	ELECT	10μF	20%	50V
C2063	1-126-963-11	ELECT	4.7μF	20%	50V	C2113	1-126-964-11	ELECT	10μF	20%	50V
C2064	1-162-970-11	CERAMIC CHIP	0.01μF	10%	25V	C2114	1-126-964-11	ELECT	10μF	20%	50V
C2065	1-126-933-11	ELECT	100μF	20%	16V	C2115	1-164-156-11	CERAMIC CHIP	0.1μF		25V
C2066	1-164-156-11	CERAMIC CHIP	0.1μF		25V	C2116	1-126-933-11	ELECT	100μF	20%	16V
C2067	1-125-891-11	CERAMIC CHIP	0.47μF	10%	10V	C2117	1-164-156-11	CERAMIC CHIP	0.1μF		25V
C2068	1-164-156-11	CERAMIC CHIP	0.1μF		25V	C2120	1-126-964-11	ELECT	10μF	20%	50V
C2069	1-107-826-11	CERAMIC CHIP	0.1μF	10%	16V	C2121	1-126-964-11	ELECT	10μF	20%	50V
C2070	1-162-970-11	CERAMIC CHIP	0.01μF	10%	25V	C2122	1-162-970-11	CERAMIC CHIP	0.01μF	10%	25V
C2071	1-126-963-11	ELECT	4.7μF	20%	50V	C2123	1-125-837-91	CERAMIC CHIP	1μF	10%	6.3V
C2072	1-107-826-11	CERAMIC CHIP	0.1μF	10%	16V	C2124	1-164-156-11	CERAMIC CHIP	0.1μF		25V
C2073	1-164-156-11	CERAMIC CHIP	0.1μF		25V	C2126	1-107-826-11	CERAMIC CHIP	0.1μF	10%	16V
C2074	1-126-933-11	ELECT	100μF	20%	16V	C2130	1-126-933-11	ELECT	100μF	20%	16V
C2075	1-107-826-11	CERAMIC CHIP	0.1μF	10%	16V	C2131	1-164-156-11	CERAMIC CHIP	0.1μF		25V
C2076	1-125-891-11	CERAMIC CHIP	0.47μF	10%	10V	C2132	1-164-156-11	CERAMIC CHIP	0.1μF		25V
C2077	1-162-970-11	CERAMIC CHIP	0.01μF	10%	25V	C2134	1-164-156-11	CERAMIC CHIP	0.1μF		25V
C2078	1-162-970-11	CERAMIC CHIP	0.01μF	10%	25V	C2135	1-125-837-91	CERAMIC CHIP	1μF	10%	6.3V
C2079	1-107-826-11	CERAMIC CHIP	0.1μF	10%	16V	C2200	1-164-156-11	CERAMIC CHIP	0.1μF		25V
C2080	1-126-963-11	ELECT	4.7μF	20%	50V	C2201	1-164-156-11	CERAMIC CHIP	0.1μF		25V
C2081	1-107-826-11	CERAMIC CHIP	0.1μF	10%	16V	C2202	1-164-156-11	CERAMIC CHIP	0.1μF		25V
C2082	1-125-891-11	CERAMIC CHIP	0.47μF	10%	10V	C2204	1-164-156-11	CERAMIC CHIP	0.1μF		25V
C2083	1-125-891-11	CERAMIC CHIP	0.47μF	10%	10V	C2205	1-164-156-11	CERAMIC CHIP	0.1μF		25V
C2084	1-107-826-11	CERAMIC CHIP	0.1μF	10%	16V	C2206	1-164-156-11	CERAMIC CHIP	0.1μF		25V
C2085	1-125-891-11	CERAMIC CHIP	0.47μF	10%	10V	C2207	1-164-156-11	CERAMIC CHIP	0.1μF		25V
C2086	1-162-970-11	CERAMIC CHIP	0.01μF	10%	25V	C2208	1-164-156-11	CERAMIC CHIP	0.1μF		25V
C2087	1-125-891-11	CERAMIC CHIP	0.47μF	10%	10V	C2209	1-164-156-11	CERAMIC CHIP	0.1μF		25V
C2088	1-216-864-11	SHORT CHIP	0			C2210	1-164-156-11	CERAMIC CHIP	0.1μF		25V
C2089	1-164-156-11	CERAMIC CHIP	0.1μF		25V	C2211	1-164-156-11	CERAMIC CHIP	0.1μF		25V
C2090	1-216-864-11	SHORT CHIP	0			C2212	1-126-933-11	ELECT	100μF	20%	16V
C2096	1-125-891-11	CERAMIC CHIP	0.47μF	10%	10V	C2213	1-126-947-11	ELECT	47μF	20%	25V
C2097	1-125-891-11	CERAMIC CHIP	0.47μF	10%	10V	C2214	1-126-933-11	ELECT	100μF	20%	16V
C2098	1-125-837-91	CERAMIC CHIP	1μF	10%	6.3V	C2215	1-164-156-11	CERAMIC CHIP	0.1μF		25V
C2099	1-125-837-91	CERAMIC CHIP	1μF	10%	6.3V	C2216	1-164-156-11	CERAMIC CHIP	0.1μF		25V
C2100	1-125-891-11	CERAMIC CHIP	0.47μF	10%	10V	C2217	1-164-156-11	CERAMIC CHIP	0.1μF		25V
C2101	1-126-933-11	ELECT	100μF	20%	16V	C2218	1-164-156-11	CERAMIC CHIP	0.1μF		25V
C2102	1-125-891-11	CERAMIC CHIP	0.47μF	10%	10V	C2219	1-164-156-11	CERAMIC CHIP	0.1μF		25V
C2103	1-125-891-11	CERAMIC CHIP	0.47μF	10%	10V	C2220	1-164-156-11	CERAMIC CHIP	0.1μF		25V
C2104	1-164-156-11	CERAMIC CHIP	0.1μF		25V	C2221	1-162-917-11	CERAMIC CHIP	15pF	5%	50V
C2105	1-125-891-11	CERAMIC CHIP	0.47μF	10%	10V	C2222	1-162-917-11	CERAMIC CHIP	15pF	5%	50V
C2106	1-164-156-11	CERAMIC CHIP	0.1μF		25V	C2223	1-125-837-91	CERAMIC CHIP	1μF	10%	6.3V
C2107	1-164-156-11	CERAMIC CHIP	0.1μF		25V	C2224	1-115-156-11	CERAMIC CHIP	1μF		10V



REF. NO.	PART NO.	DESCRIPTION	VALUES			REF. NO.	PART NO.	DESCRIPTION	VALUES		
C2225	1-162-917-11	CERAMIC CHIP	15pF	5%	50V	C2322	1-164-156-11	CERAMIC CHIP	0.1μF		25V
C2226	1-164-156-11	CERAMIC CHIP	0.1μF		25V	C2323	1-164-156-11	CERAMIC CHIP	0.1μF		25V
C2227	1-126-933-11	ELECT	100μF	20%	16V	C2324	1-164-156-11	CERAMIC CHIP	0.1μF		25V
C2228	1-162-913-11	CERAMIC CHIP	8pF	0.50pF	50V	C2325	1-164-156-11	CERAMIC CHIP	0.1μF		25V
C2229	1-162-913-11	CERAMIC CHIP	8pF	0.50pF	50V	C2326	1-164-156-11	CERAMIC CHIP	0.1μF		25V
C2230	1-162-915-11	CERAMIC CHIP	10pF	0.50pF	50V	C2327	1-126-933-11	ELECT	100μF	20%	16V
C2231	1-125-837-91	CERAMIC CHIP	1μF	10%	6.3V	C2328	1-126-933-11	ELECT	100μF	20%	16V
C2232	1-164-156-11	CERAMIC CHIP	0.1μF		25V	C2329	1-164-156-11	CERAMIC CHIP	0.1μF		25V
C2233	1-164-156-11	CERAMIC CHIP	0.1μF		25V	C2330	1-164-156-11	CERAMIC CHIP	0.1μF		25V
C2234	1-126-933-11	ELECT	100μF	20%	16V	C2331	1-164-156-11	CERAMIC CHIP	0.1μF		25V
C2235	1-164-156-11	CERAMIC CHIP	0.1μF		25V	C2332	1-164-156-11	CERAMIC CHIP	0.1μF		25V
C2236	1-164-156-11	CERAMIC CHIP	0.1μF		25V	C2333	1-125-891-11	CERAMIC CHIP	0.47μF	10%	10V
C2237	1-162-917-11	CERAMIC CHIP	15pF	5%	50V	C2334	1-164-156-11	CERAMIC CHIP	0.1μF		25V
C2238	1-126-933-11	ELECT	100μF	20%	16V	C2335	1-164-156-11	CERAMIC CHIP	0.1μF		25V
C2239	1-164-156-11	CERAMIC CHIP	0.1μF		25V	C2336	1-164-156-11	CERAMIC CHIP	0.1μF		25V
C2240	1-126-933-11	ELECT	100μF	20%	16V	C2337	1-164-156-11	CERAMIC CHIP	0.1μF		25V
C2241	1-107-826-11	CERAMIC CHIP	0.1μF	10%	16V	C2338	1-125-891-11	CERAMIC CHIP	0.47μF	10%	10V
C2242	1-126-934-11	ELECT	220μF	20%	16V	C2339	1-164-156-11	CERAMIC CHIP	0.1μF		25V
C2243	1-126-934-11	ELECT	220μF	20%	16V	C2340	1-107-826-11	CERAMIC CHIP	0.1μF	10%	16V
C2244	1-107-826-11	CERAMIC CHIP	0.1μF	10%	16V	C2341	1-164-156-11	CERAMIC CHIP	0.1μF		25V
C2245	1-164-156-11	CERAMIC CHIP	0.1μF		25V	C2342	1-107-826-11	CERAMIC CHIP	0.1μF	10%	16V
C2246	1-126-947-11	ELECT	47μF	20%	25V	C2343	1-107-826-11	CERAMIC CHIP	0.1μF	10%	16V
C2247	1-162-975-11	CERAMIC CHIP	24pF	5%	50V	C2344	1-164-230-11	CERAMIC CHIP	220pF	5%	50V
C2248	1-162-975-11	CERAMIC CHIP	24pF	5%	50V	C2345	1-107-826-11	CERAMIC CHIP	0.1μF	10%	16V
C2249	1-164-360-11	CERAMIC CHIP	0.1μF		16V	C2346	1-164-230-11	CERAMIC CHIP	220pF	5%	50V
C2250	1-164-360-11	CERAMIC CHIP	0.1μF		16V	C2347	1-164-156-11	CERAMIC CHIP	0.1μF		25V
C2251	1-164-392-11	CERAMIC CHIP	390pF	5%	50V	C2348	1-126-933-11	ELECT	100μF	20%	16V
C2300	1-162-968-11	CERAMIC CHIP	0.0047μF	10%	50V	C2349	1-162-968-11	CERAMIC CHIP	0.0047μF	10%	50V
C2301	1-126-933-11	ELECT	100μF	20%	16V	C2352	1-126-933-11	ELECT	100μF	20%	16V
C2302	1-164-156-11	CERAMIC CHIP	0.1μF		25V	C2353	1-164-156-11	CERAMIC CHIP	0.1μF		25V
C2305	1-164-156-11	CERAMIC CHIP	0.1μF		25V	C2354	1-162-907-11	CERAMIC CHIP	2pF	0.25pF	50V
C2306	1-162-920-11	CERAMIC CHIP	27pF	5%	50V	C2355	1-164-245-11	CERAMIC CHIP	0.015μF	10%	25V
C2307	1-162-919-11	CERAMIC CHIP	22pF	5%	50V	C2358	1-126-935-11	ELECT	470μF	20%	6.3V
C2308	1-164-156-11	CERAMIC CHIP	0.1μF		25V	C2359	1-164-156-11	CERAMIC CHIP	0.1μF		25V
C2309	1-164-156-11	CERAMIC CHIP	0.1μF		25V	C2361	1-126-933-11	ELECT	100μF	20%	16V
C2310	1-162-919-11	CERAMIC CHIP	22pF	5%	50V	C2362	1-126-933-11	ELECT	100μF	20%	16V
C2311	1-164-156-11	CERAMIC CHIP	0.1μF		25V	C2370	1-164-156-11	CERAMIC CHIP	0.1μF		25V
C2312	1-162-910-11	CERAMIC CHIP	5pF	0.25pF	50V	C2500	1-162-966-11	CERAMIC CHIP	0.0022μF	10%	50V
C2313	1-115-156-11	CERAMIC CHIP	1μF		10V	C2501	1-162-966-11	CERAMIC CHIP	0.0022μF	10%	50V
C2315	1-164-156-11	CERAMIC CHIP	0.1μF		25V	C2503	1-107-826-11	CERAMIC CHIP	0.1μF	10%	16V
C2317	1-164-156-11	CERAMIC CHIP	0.1μF		25V	C2504	1-126-933-11	ELECT	100μF	20%	16V
C2318	1-164-156-11	CERAMIC CHIP	0.1μF		25V	C2506	1-164-156-11	CERAMIC CHIP	0.1μF		25V
C2319	1-164-156-11	CERAMIC CHIP	0.1μF		25V	C2508	1-126-933-11	ELECT	100μF	20%	16V
C2321	1-164-156-11	CERAMIC CHIP	0.1μF		25V	C2510	1-162-960-11	CERAMIC CHIP	220pF	10%	50V



REF. NO.	PART NO.	DESCRIPTION	VALUES			REF. NO.	PART NO.	DESCRIPTION	VALUES		
C2512	1-135-834-91	CERAMIC CHIP	2.2E+06pF	6.3V		C2566	1-107-826-11	CERAMIC CHIP	0.1μF	10%	16V
C2513	1-162-966-11	CERAMIC CHIP	0.0022μF	10%	50V	C2569	1-126-961-11	ELECT	2.2μF	20%	50V
C2514	1-164-156-11	CERAMIC CHIP	0.1μF	25V		C2570	1-162-966-11	CERAMIC CHIP	0.0022μF	10%	50V
C2515	1-107-826-11	CERAMIC CHIP	0.1μF	10%	16V	C2571	1-164-156-11	CERAMIC CHIP	0.1μF	25V	
C2516	1-126-933-11	ELECT	100μF	20%	16V	C2572	1-126-960-11	ELECT	1μF	20%	50V
C2517	1-162-966-11	CERAMIC CHIP	0.0022μF	10%	50V	C2574	1-162-966-11	CERAMIC CHIP	0.0022μF	10%	50V
C2518	1-162-966-11	CERAMIC CHIP	0.0022μF	10%	50V	C2575	1-126-960-11	ELECT	1μF	20%	50V
C2519	1-107-826-11	CERAMIC CHIP	0.1μF	10%	16V	C2579	1-107-826-11	CERAMIC CHIP	0.1μF	10%	16V
C2520	1-162-960-11	CERAMIC CHIP	220pF	10%	50V	C2582	1-126-933-11	ELECT	100μF	20%	16V
C2521	1-162-960-11	CERAMIC CHIP	220pF	10%	50V	C2584	1-126-933-11	ELECT	100μF	20%	16V
C2522	1-126-947-11	ELECT	47μF	20%	25V	<b>CONNECTOR</b>					
C2523	1-107-826-11	CERAMIC CHIP	0.1μF	10%	16V	CN2006	1-793-174-11	SOCKET,PCCONNECTOR (PC BOARD)			
C2524	1-135-834-91	CERAMIC CHIP	2.2E+06pF	6.3V		CN2304	1-764-334-11	PLUG,CONNECTOR		11P	
C2525	1-135-834-91	CERAMIC CHIP	2.2E+06pF	6.3V		CN2305	1-770-721-11	CONNECTOR, BOARD TO BOARD 4P			
C2527	1-135-834-91	CERAMIC CHIP	2.2E+06pF	6.3V		<b>DIODE</b>					
C2528	1-162-962-11	CERAMIC CHIP	470pF	10%	50V	D2300	8-719-914-43	DIODE DAN202K-T-146			
C2530	1-126-947-11	ELECT	47μF	20%	25V	D2301	8-719-914-43	DIODE DAN202K-T-146			
C2532	1-135-834-91	CERAMIC CHIP	2.2E+06pF	6.3V		D2302	8-719-914-44	DIODE DAP202K-T-146			
C2533	1-162-960-11	CERAMIC CHIP	220pF	10%	50V	D2303	8-719-914-44	DIODE DAP202K-T-146			
C2534	1-126-947-11	ELECT	47μF	20%	25V	D2310	8-719-083-57	DIODE UDZSTE-173.6B			
C2535	1-162-962-11	CERAMIC CHIP	470pF	10%	50V	D2500	8-719-404-50	DIODE MA111-TX			
C2536	1-135-834-91	CERAMIC CHIP	2.2E+06pF	6.3V		D2501	8-719-404-50	DIODE MA111-TX			
C2538	1-126-947-11	ELECT	47μF	20%	25V	D2502	8-719-404-50	DIODE MA111-TX			
C2539	1-107-826-11	CERAMIC CHIP	0.1μF	10%	16V	<b>FERRITE BEAD</b>					
C2540	1-162-915-11	CERAMIC CHIP	10pF	0.50pF	50V	FB2001	1-414-229-11	FERRITE		0μH	
C2541	1-162-915-11	CERAMIC CHIP	10pF	0.50pF	50V	FB2002	1-414-229-11	FERRITE		0μH	
C2542	1-107-826-11	CERAMIC CHIP	0.1μF	10%	16V	FB2200	1-414-229-11	FERRITE		0μH	
C2543	1-107-826-11	CERAMIC CHIP	0.1μF	10%	16V	FB2500	1-216-864-11	SHORT CHIP		0	
C2544	1-126-963-11	ELECT	4.7μF	20%	50V	FB2501	1-216-864-11	SHORT CHIP		0	
C2545	1-162-966-11	CERAMIC CHIP	0.0022μF	10%	50V	FB2503	1-216-864-11	SHORT CHIP		0	
C2546	1-162-966-11	CERAMIC CHIP	0.0022μF	10%	50V	FB2504	1-216-864-11	SHORT CHIP		0	
C2548	1-126-947-11	ELECT	47μF	20%	25V	FB2505	1-414-229-11	FERRITE		0μH	
C2549	1-107-826-11	CERAMIC CHIP	0.1μF	10%	16V	FB2507	1-414-229-11	FERRITE		0μH	
C2550	1-126-963-11	ELECT	4.7μF	20%	50V	FB2508	1-414-229-11	FERRITE		0μH	
C2551	1-107-826-11	CERAMIC CHIP	0.1μF	10%	16V	FB2509	1-216-864-11	SHORT CHIP		0	
C2553	1-126-947-11	ELECT	47μF	20%	25V	FB2510	1-414-229-11	FERRITE		0μH	
C2554	1-126-947-11	ELECT	47μF	20%	25V	FB2511	1-216-864-11	SHORT CHIP		0	
C2558	1-126-963-11	ELECT	4.7μF	20%	50V	FB2512	1-414-229-11	FERRITE		0μH	
C2559	1-126-933-11	ELECT	100μF	20%	16V	FB2513	1-216-864-11	SHORT CHIP		0	
C2550	1-126-963-11	ELECT	4.7μF	20%	50V	FB2514	1-216-864-11	SHORT CHIP		0	
C2551	1-107-826-11	CERAMIC CHIP	0.1μF	10%	16V	FB2515	1-414-229-11	FERRITE		0μH	
C2553	1-126-947-11	ELECT	47μF	20%	25V						
C2554	1-126-947-11	ELECT	47μF	20%	25V						
C2558	1-126-963-11	ELECT	4.7μF	20%	50V						
C2559	1-126-933-11	ELECT	100μF	20%	16V						
C2560	1-126-947-11	ELECT	47μF	20%	25V						
C2561	1-126-963-11	ELECT	4.7μF	20%	50V						
C2563	1-126-961-11	ELECT	2.2μF	20%	50V						
C2564	1-126-961-11	ELECT	2.2μF	20%	50V						
C2565	1-125-837-91	CERAMIC CHIP	1μF	10%	6.3V						



REF. NO.	PART NO.	DESCRIPTION	VALUES	REF. NO.	PART NO.	DESCRIPTION	VALUES
FB2516	1-414-229-11	FERRITE	0μH	<b>COIL</b>			
FB2517	1-414-229-11	FERRITE	0μH	L2001	1-469-555-21	INDUCTOR	10μH
FB2518	1-414-229-11	FERRITE	0μH	L2003	1-469-555-21	INDUCTOR	10μH
FB2519	1-414-229-11	FERRITE	0μH	L2004	1-469-555-21	INDUCTOR	10μH
FB2520	1-216-864-11	SHORT CHIP	0	L2005	1-469-555-21	INDUCTOR	10μH
FB2521	1-216-864-11	SHORT CHIP	0	L2006	1-469-555-21	INDUCTOR	10μH
FB2522	1-414-229-11	FERRITE	0μH	L2007	1-469-555-21	INDUCTOR	10μH
<b>FILTER</b>				L2008	1-469-555-21	INDUCTOR	10μH
FL2001	1-239-848-21	FILTER, LOW PASS		L2009	1-469-555-21	INDUCTOR	10μH
FL2002	1-239-848-21	FILTER, LOW PASS		L2010	1-469-555-21	INDUCTOR	10μH
FL2003	1-239-848-21	FILTER, LOW PASS		L2011	1-469-555-21	INDUCTOR	10μH
FL2201	1-239-848-21	FILTER, LOW PASS		L2012	1-469-555-21	INDUCTOR	10μH
FL2202	1-239-848-21	FILTER, LOW PASS		L2013	1-469-555-21	INDUCTOR	10μH
FL2203	1-239-848-21	FILTER, LOW PASS		L2200	1-469-555-21	INDUCTOR	10μH
FL2204	1-239-848-21	FILTER, LOW PASS		L2201	1-469-555-21	INDUCTOR	10μH
<b>IC</b>				L2202	1-469-555-21	INDUCTOR	10μH
IC2001	8-752-394-69	IC CXD2073Q-T4		L2203	1-216-001-00	RES-CHIP	10 5% 1/10W
IC2004	8-752-102-21	IC CXA2103AQ		L2204	1-469-555-21	INDUCTOR	10μH
IC2005	8-752-102-21	IC CXA2103AQ		L2205	1-216-001-00	RES-CHIP	10 5% 1/10W
IC2006	8-752-103-44	IC CXA2171Q		L2206	1-469-555-21	INDUCTOR	10μH
IC2008	8-759-448-68	IC NJM2283V-TE1		L2207	1-469-553-21	INDUCTOR	4.7μH
IC2009	6-700-205-01	IC TC74LVX157FT(EL)		L2301	1-469-555-21	INDUCTOR	10μH
IC2010	6-700-205-01	IC TC74LVX157FT(EL)		L2302	1-469-555-21	INDUCTOR	10μH
IC2200	6-700-960-01	IC UPD64083GF-3BA		L2303	1-469-555-21	INDUCTOR	10μH
IC2201	6-700-399-01	IC UPC2925T-E1		L2501	1-412-537-31	INDUCTOR	100μH
IC2300	6-802-167-01	IC M306V3MG-052FP		L2502	1-216-295-91	SHORT CHIP	0
IC2301	6-801-375-01	IC PST9129NL		<b>TRANSISTOR</b>			
IC2302	8-759-682-41	IC M24C32-WMN6T(A)		Q2001	8-729-422-27	TRANSISTOR 2SD601A-QRS-TX	
IC2303	8-752-930-68	IC CXP964032-001Q		Q2002	8-729-422-27	TRANSISTOR 2SD601A-QRS-TX	
IC2304	8-752-930-68	IC CXP964032-001Q		Q2003	8-729-424-02	TRANSISTOR 2SB709A-QRS-TX	
IC2305	8-759-641-26	IC NJM2391DL1-33(TE1)		Q2004	8-729-422-27	TRANSISTOR 2SD601A-QRS-TX	
IC2500	8-759-394-57	IC PST593C-MMP-4P		Q2005	8-729-424-02	TRANSISTOR 2SB709A-QRS-TX	
IC2501	6-801-750-01	IC TC94A04F-014		Q2006	8-729-422-27	TRANSISTOR 2SD601A-QRS-TX	
IC2502	8-759-331-71	IC NJM4558E(TE2)		Q2007	8-729-422-27	TRANSISTOR 2SD601A-QRS-TX	
IC2504	8-759-642-22	IC UPC29M05T-E2		Q2008	8-729-422-27	TRANSISTOR 2SD601A-QRS-TX	
<b>CHIP CONDUCTOR</b>				Q2009	8-729-422-27	TRANSISTOR 2SD601A-QRS-TX	
JR1	1-216-864-11	SHORT CHIP	0	Q2010	8-729-422-27	TRANSISTOR 2SD601A-QRS-TX	
JR2001	1-216-864-11	SHORT CHIP	0	Q2011	8-729-424-02	TRANSISTOR 2SB709A-QRS-TX	
JR2002	1-216-864-11	SHORT CHIP	0	Q2012	8-729-424-02	TRANSISTOR 2SB709A-QRS-TX	
JR2003	1-216-864-11	SHORT CHIP	0	Q2013	8-729-424-02	TRANSISTOR 2SB709A-QRS-TX	
JR2004	1-216-864-11	SHORT CHIP	0	Q2014	8-729-422-27	TRANSISTOR 2SD601A-QRS-TX	
JR2005	1-216-864-11	SHORT CHIP	0	Q2015	8-729-424-02	TRANSISTOR 2SB709A-QRS-TX	



REF. NO.	PART NO.	DESCRIPTION	VALUES	REF. NO.	PART NO.	DESCRIPTION	VALUES
Q2016	8-729-422-27	TRANSISTOR 2SD601A-QRS-TX		Q2502	8-729-424-02	TRANSISTOR 2SB709A-QRS-TX	
Q2018	8-729-422-27	TRANSISTOR 2SD601A-QRS-TX		Q2503	8-729-422-27	TRANSISTOR 2SD601A-QRS-TX	
Q2019	8-729-422-27	TRANSISTOR 2SD601A-QRS-TX		Q2504	8-729-422-27	TRANSISTOR 2SD601A-QRS-TX	
Q2200	8-729-424-02	TRANSISTOR 2SB709A-QRS-TX		Q2505	8-729-422-27	TRANSISTOR 2SD601A-QRS-TX	
Q2201	8-729-424-02	TRANSISTOR 2SB709A-QRS-TX		Q2506	8-729-422-27	TRANSISTOR 2SD601A-QRS-TX	
Q2202	8-729-422-27	TRANSISTOR 2SD601A-QRS-TX		Q2507	8-729-422-27	TRANSISTOR 2SD601A-QRS-TX	
Q2203	8-729-424-02	TRANSISTOR 2SB709A-QRS-TX		Q2508	8-729-422-27	TRANSISTOR 2SD601A-QRS-TX	
Q2204	8-729-424-02	TRANSISTOR 2SB709A-QRS-TX		Q2509	8-729-422-27	TRANSISTOR 2SD601A-QRS-TX	
Q2205	8-729-422-27	TRANSISTOR 2SD601A-QRS-TX		Q2510	8-729-422-27	TRANSISTOR 2SD601A-QRS-TX	
Q2206	8-729-422-27	TRANSISTOR 2SD601A-QRS-TX		Q2511	8-729-422-27	TRANSISTOR 2SD601A-QRS-TX	
Q2207	8-729-422-27	TRANSISTOR 2SD601A-QRS-TX		Q2512	8-729-422-27	TRANSISTOR 2SD601A-QRS-TX	
Q2208	8-729-422-27	TRANSISTOR 2SD601A-QRS-TX		Q2513	8-729-422-27	TRANSISTOR 2SD601A-QRS-TX	
Q2209	8-729-422-27	TRANSISTOR 2SD601A-QRS-TX					
Q2210	8-729-422-27	TRANSISTOR 2SD601A-QRS-TX		<b>RESISTOR</b>			
Q2211	8-729-422-27	TRANSISTOR 2SD601A-QRS-TX		R2001	1-216-809-11	RES-CHIP	100 5% 1/10W
				R2002	1-216-821-11	RES-CHIP	1K 5% 1/10W
Q2212	8-729-422-27	TRANSISTOR 2SD601A-QRS-TX		R2003	1-218-686-11	METAL CHIP	560 0.50% 1/16W
Q2213	8-729-422-27	TRANSISTOR 2SD601A-QRS-TX		R2004	1-216-821-11	RES-CHIP	1K 5% 1/10W
Q2214	8-729-424-02	TRANSISTOR 2SB709A-QRS-TX		R2005	1-216-821-11	RES-CHIP	1K 5% 1/10W
Q2215	8-729-422-27	TRANSISTOR 2SD601A-QRS-TX					
Q2216	8-729-424-02	TRANSISTOR 2SB709A-QRS-TX		R2006	1-216-825-11	RES-CHIP	2.2K 5% 1/10W
				R2007	1-218-708-11	METAL CHIP	4.7K 0.50% 1/16W
Q2301	8-729-422-27	TRANSISTOR 2SD601A-QRS-TX		R2008	1-218-692-11	METAL CHIP	1K 0.50% 1/16W
Q2302	8-729-422-27	TRANSISTOR 2SD601A-QRS-TX		R2009	1-216-821-11	RES-CHIP	1K 5% 1/10W
Q2303	8-729-422-27	TRANSISTOR 2SD601A-QRS-TX		R2010	1-216-821-11	RES-CHIP	1K 5% 1/10W
Q2304	8-729-422-27	TRANSISTOR 2SD601A-QRS-TX					
Q2305	8-729-422-27	TRANSISTOR 2SD601A-QRS-TX		R2011	1-218-686-11	METAL CHIP	560 0.50% 1/16W
				R2012	1-216-821-11	RES-CHIP	1K 5% 1/10W
Q2306	8-729-422-27	TRANSISTOR 2SD601A-QRS-TX		R2013	1-216-825-11	RES-CHIP	2.2K 5% 1/10W
Q2307	8-729-422-27	TRANSISTOR 2SD601A-QRS-TX		R2014	1-216-821-11	RES-CHIP	1K 5% 1/10W
Q2308	8-729-424-02	TRANSISTOR 2SB709A-QRS-TX		R2015	1-218-734-11	METAL CHIP	56K 0.50% 1/16W
Q2309	8-729-424-02	TRANSISTOR 2SB709A-QRS-TX					
Q2310	8-729-422-27	TRANSISTOR 2SD601A-QRS-TX		R2016	1-216-839-11	RES-CHIP	33K 5% 1/10W
				R2017	1-216-837-11	RES-CHIP	22K 5% 1/10W
Q2311	8-729-422-27	TRANSISTOR 2SD601A-QRS-TX		R2018	1-216-812-11	RES-CHIP	180 5% 1/10W
Q2312	8-729-422-27	TRANSISTOR 2SD601A-QRS-TX		R2020	1-216-811-11	RES-CHIP	150 5% 1/10W
Q2313	8-729-422-27	TRANSISTOR 2SD601A-QRS-TX		R2022	1-218-704-11	METAL CHIP	3.3K 0.50% 1/16W
Q2314	8-729-424-02	TRANSISTOR 2SB709A-QRS-TX					
Q2315	8-729-424-02	TRANSISTOR 2SB709A-QRS-TX		R2023	1-216-839-11	RES-CHIP	33K 5% 1/10W
				R2024	1-216-837-11	RES-CHIP	22K 5% 1/10W
Q2316	8-729-424-02	TRANSISTOR 2SB709A-QRS-TX		R2025	1-218-700-11	METAL CHIP	2.2K 0.50% 1/16W
Q2317	8-729-422-27	TRANSISTOR 2SD601A-QRS-TX		R2026	1-218-704-11	METAL CHIP	3.3K 0.50% 1/16W
Q2318	8-729-422-27	TRANSISTOR 2SD601A-QRS-TX		R2027	1-216-864-11	SHORT CHIP	0
Q2320	8-729-422-27	TRANSISTOR 2SD601A-QRS-TX					
Q2321	8-729-422-27	TRANSISTOR 2SD601A-QRS-TX		R2030	1-216-817-11	RES-CHIP	470 5% 1/10W
				R2032	1-216-817-11	RES-CHIP	470 5% 1/10W
Q2322	8-729-422-27	TRANSISTOR 2SD601A-QRS-TX		R2035	1-216-817-11	RES-CHIP	470 5% 1/10W
Q2323	8-729-422-27	TRANSISTOR 2SD601A-QRS-TX		R2036	1-216-837-11	RES-CHIP	22K 5% 1/10W
Q2500	8-729-422-27	TRANSISTOR 2SD601A-QRS-TX		R2040	1-216-817-11	RES-CHIP	470 5% 1/10W
Q2501	8-729-422-27	TRANSISTOR 2SD601A-QRS-TX					





REF. NO.	PART NO.	DESCRIPTION	VALUES			REF. NO.	PART NO.	DESCRIPTION	VALUES		
R2041	1-216-837-11	RES-CHIP	22K	5%	1/10W	R2112	1-216-809-11	RES-CHIP	100	5%	1/10W
R2045	1-218-686-11	METAL CHIP	560	0.50%	1/16W	R2113	1-216-809-11	RES-CHIP	100	5%	1/10W
R2046	1-218-686-11	METAL CHIP	560	0.50%	1/16W	R2114	1-216-805-11	RES-CHIP	47	5%	1/10W
R2048	1-218-710-11	METAL CHIP	5.6K	0.50%	1/16W	R2115	1-216-805-11	RES-CHIP	47	5%	1/10W
R2049	1-218-710-11	METAL CHIP	5.6K	0.50%	1/16W	R2116	1-216-805-11	RES-CHIP	47	5%	1/10W
R2050	1-216-817-11	RES-CHIP	470	5%	1/10W	R2118	1-216-809-11	RES-CHIP	100	5%	1/10W
R2051	1-216-817-11	RES-CHIP	470	5%	1/10W	R2119	1-216-809-11	RES-CHIP	100	5%	1/10W
R2052	1-216-835-11	RES-CHIP	15K	5%	1/10W	R2120	1-216-809-11	RES-CHIP	100	5%	1/10W
R2053	1-216-864-11	SHORT CHIP	0			R2123	1-216-809-11	RES-CHIP	100	5%	1/10W
R2054	1-216-835-11	RES-CHIP	15K	5%	1/10W	R2124	1-216-809-11	RES-CHIP	100	5%	1/10W
R2055	1-216-833-11	RES-CHIP	10K	5%	1/10W	R2125	1-216-809-11	RES-CHIP	100	5%	1/10W
R2056	1-216-809-11	RES-CHIP	100	5%	1/10W	R2126	1-216-809-11	RES-CHIP	100	5%	1/10W
R2057	1-216-809-11	RES-CHIP	100	5%	1/10W	R2131	1-216-809-11	RES-CHIP	100	5%	1/10W
R2058	1-216-809-11	RES-CHIP	100	5%	1/10W	R2133	1-216-864-11	SHORT CHIP	0		
R2059	1-216-809-11	RES-CHIP	100	5%	1/10W	R2201	1-216-821-11	RES-CHIP	1K	5%	1/10W
R2061	1-216-828-11	RES-CHIP	3.9K	5%	1/10W	R2202	1-216-809-11	RES-CHIP	100	5%	1/10W
R2064	1-216-828-11	RES-CHIP	3.9K	5%	1/10W	R2203	1-216-809-11	RES-CHIP	100	5%	1/10W
R2067	1-216-809-11	RES-CHIP	100	5%	1/10W	R2204	1-216-821-11	RES-CHIP	1K	5%	1/10W
R2069	1-216-864-11	SHORT CHIP	0			R2205	1-216-864-11	SHORT CHIP	0		
R2071	1-216-864-11	SHORT CHIP	0			R2206	1-216-864-11	SHORT CHIP	0		
R2072	1-216-841-11	RES-CHIP	47K	5%	1/10W	R2207	1-216-809-11	RES-CHIP	100	5%	1/10W
R2073	1-216-841-11	RES-CHIP	47K	5%	1/10W	R2208	1-216-809-11	RES-CHIP	100	5%	1/10W
R2074	1-216-833-11	RES-CHIP	10K	5%	1/10W	R2209	1-216-821-11	RES-CHIP	1K	5%	1/10W
R2075	1-216-864-11	SHORT CHIP	0			R2210	1-216-818-11	RES-CHIP	560	5%	1/10W
R2076	1-216-864-11	SHORT CHIP	0			R2211	1-216-821-11	RES-CHIP	1K	5%	1/10W
R2077	1-216-833-11	RES-CHIP	10K	5%	1/10W	R2212	1-216-818-11	RES-CHIP	560	5%	1/10W
R2081	1-216-809-11	RES-CHIP	100	5%	1/10W	R2213	1-216-829-11	RES-CHIP	4.7K	5%	1/10W
R2082	1-216-809-11	RES-CHIP	100	5%	1/10W	R2214	1-216-821-11	RES-CHIP	1K	5%	1/10W
R2083	1-216-851-11	RES-CHIP	330K	5%	1/10W	R2215	1-216-830-11	RES-CHIP	5.6K	5%	1/10W
R2086	1-216-818-11	RES-CHIP	560	5%	1/10W	R2216	1-216-817-11	RES-CHIP	470	5%	1/10W
R2087	1-216-818-11	RES-CHIP	560	5%	1/10W	R2217	1-216-817-11	RES-CHIP	470	5%	1/10W
R2091	1-216-809-11	RES-CHIP	100	5%	1/10W	R2218	1-216-830-11	RES-CHIP	5.6K	5%	1/10W
R2092	1-216-818-11	RES-CHIP	560	5%	1/10W	R2219	1-216-830-11	RES-CHIP	5.6K	5%	1/10W
R2093	1-216-818-11	RES-CHIP	560	5%	1/10W	R2220	1-216-821-11	RES-CHIP	1K	5%	1/10W
R2094	1-218-716-11	METAL CHIP	10K	0.50%	1/16W	R2221	1-216-825-11	RES-CHIP	2.2K	5%	1/10W
R2095	1-216-864-11	SHORT CHIP	0			R2222	1-216-833-11	RES-CHIP	10K	5%	1/10W
R2097	1-216-809-11	RES-CHIP	100	5%	1/10W	R2223	1-216-825-11	RES-CHIP	2.2K	5%	1/10W
R2099	1-216-809-11	RES-CHIP	100	5%	1/10W	R2224	1-216-809-11	RES-CHIP	100	5%	1/10W
R2101	1-216-821-11	RES-CHIP	1K	5%	1/10W	R2225	1-216-818-11	RES-CHIP	560	5%	1/10W
R2103	1-216-809-11	RES-CHIP	100	5%	1/10W	R2226	1-216-817-11	RES-CHIP	470	5%	1/10W
R2105	1-216-809-11	RES-CHIP	100	5%	1/10W	R2227	1-216-816-11	RES-CHIP	390	5%	1/10W
R2107	1-216-809-11	RES-CHIP	100	5%	1/10W	R2228	1-216-825-11	RES-CHIP	2.2K	5%	1/10W
R2110	1-216-818-11	RES-CHIP	560	5%	1/10W	R2229	1-216-849-11	RES-CHIP	220K	5%	1/10W
R2111	1-216-818-11	RES-CHIP	560	5%	1/10W	R2230	1-216-841-11	RES-CHIP	47K	5%	1/10W



REF. NO.	PART NO.	DESCRIPTION	VALUES			REF. NO.	PART NO.	DESCRIPTION	VALUES		
R2231	1-216-819-11	RES-CHIP	680	5%	1/10W	R2311	1-216-809-11	RES-CHIP	100	5%	1/10W
R2232	1-216-821-11	RES-CHIP	1K	5%	1/10W	R2312	1-216-809-11	RES-CHIP	100	5%	1/10W
R2233	1-216-821-11	RES-CHIP	1K	5%	1/10W	R2313	1-216-809-11	RES-CHIP	100	5%	1/10W
R2234	1-216-820-11	RES-CHIP	820	5%	1/10W	R2314	1-216-809-11	RES-CHIP	100	5%	1/10W
R2235	1-216-822-11	RES-CHIP	1.2K	5%	1/10W	R2315	1-216-809-11	RES-CHIP	100	5%	1/10W
R2236	1-216-813-11	RES-CHIP	220	5%	1/10W	R2316	1-216-809-11	RES-CHIP	100	5%	1/10W
R2237	1-216-820-11	RES-CHIP	820	5%	1/10W	R2317	1-216-809-11	RES-CHIP	100	5%	1/10W
R2238	1-216-819-11	RES-CHIP	680	5%	1/10W	R2318	1-216-821-11	RES-CHIP	1K	5%	1/10W
R2239	1-216-821-11	RES-CHIP	1K	5%	1/10W	R2319	1-216-809-11	RES-CHIP	100	5%	1/10W
R2240	1-216-834-11	RES-CHIP	12K	5%	1/10W	R2320	1-216-809-11	RES-CHIP	100	5%	1/10W
R2241	1-216-839-11	RES-CHIP	33K	5%	1/10W	R2321	1-216-809-11	RES-CHIP	100	5%	1/10W
R2242	1-218-680-11	METAL CHIP	330	0.50%	1/16W	R2322	1-216-809-11	RES-CHIP	100	5%	1/10W
R2243	1-216-834-11	RES-CHIP	12K	5%	1/10W	R2323	1-216-833-11	RES-CHIP	10K	5%	1/10W
R2244	1-216-839-11	RES-CHIP	33K	5%	1/10W	R2324	1-216-809-11	RES-CHIP	100	5%	1/10W
R2245	1-218-684-11	METAL CHIP	470	0.50%	1/16W	R2325	1-216-864-11	SHORT CHIP	0		
R2246	1-216-821-11	RES-CHIP	1K	5%	1/10W	R2326	1-216-809-11	RES-CHIP	100	5%	1/10W
R2247	1-216-805-11	RES-CHIP	47	5%	1/10W	R2327	1-216-809-11	RES-CHIP	100	5%	1/10W
R2248	1-216-821-11	RES-CHIP	1K	5%	1/10W	R2328	1-216-809-11	RES-CHIP	100	5%	1/10W
R2249	1-216-805-11	RES-CHIP	47	5%	1/10W	R2329	1-216-815-11	RES-CHIP	330	5%	1/10W
R2250	1-216-830-11	RES-CHIP	5.6K	5%	1/10W	R2330	1-216-817-11	RES-CHIP	470	5%	1/10W
R2251	1-216-818-11	RES-CHIP	560	5%	1/10W	R2333	1-216-809-11	RES-CHIP	100	5%	1/10W
R2252	1-216-821-11	RES-CHIP	1K	5%	1/10W	R2335	1-216-820-11	RES-CHIP	820	5%	1/10W
R2253	1-216-809-11	RES-CHIP	100	5%	1/10W	R2336	1-216-809-11	RES-CHIP	100	5%	1/10W
R2254	1-216-817-11	RES-CHIP	470	5%	1/10W	R2337	1-216-809-11	RES-CHIP	100	5%	1/10W
R2255	1-216-817-11	RES-CHIP	470	5%	1/10W	R2338	1-216-864-11	SHORT CHIP	0		
R2256	1-216-821-11	RES-CHIP	1K	5%	1/10W	R2339	1-216-809-11	RES-CHIP	100	5%	1/10W
R2257	1-216-864-11	SHORT CHIP	0			R2340	1-216-809-11	RES-CHIP	100	5%	1/10W
R2258	1-216-833-11	RES-CHIP	10K	5%	1/10W	R2341	1-216-809-11	RES-CHIP	100	5%	1/10W
R2259	1-216-833-11	RES-CHIP	10K	5%	1/10W	R2342	1-216-829-11	RES-CHIP	4.7K	5%	1/10W
R2260	1-216-840-11	RES-CHIP	39K	5%	1/10W	R2343	1-216-833-11	RES-CHIP	10K	5%	1/10W
R2261	1-216-821-11	RES-CHIP	1K	5%	1/10W	R2344	1-216-833-11	RES-CHIP	10K	5%	1/10W
R2298	1-216-821-11	RES-CHIP	1K	5%	1/10W	R2345	1-216-809-11	RES-CHIP	100	5%	1/10W
R2299	1-216-841-11	RES-CHIP	47K	5%	1/10W	R2346	1-218-734-11	METAL CHIP	56K	0.50%	1/16W
R2300	1-216-841-11	RES-CHIP	47K	5%	1/10W	R2347	1-216-833-11	RES-CHIP	10K	5%	1/10W
R2301	1-216-809-11	RES-CHIP	100	5%	1/10W	R2348	1-216-829-11	RES-CHIP	4.7K	5%	1/10W
R2302	1-216-809-11	RES-CHIP	100	5%	1/10W	R2349	1-216-833-11	RES-CHIP	10K	5%	1/10W
R2303	1-216-809-11	RES-CHIP	100	5%	1/10W	R2350	1-216-809-11	RES-CHIP	100	5%	1/10W
R2304	1-216-829-11	RES-CHIP	4.7K	5%	1/10W	R2351	1-216-833-11	RES-CHIP	10K	5%	1/10W
R2305	1-216-809-11	RES-CHIP	100	5%	1/10W	R2352	1-216-833-11	RES-CHIP	10K	5%	1/10W
R2306	1-216-809-11	RES-CHIP	100	5%	1/10W	R2353	1-216-809-11	RES-CHIP	100	5%	1/10W
R2307	1-216-809-11	RES-CHIP	100	5%	1/10W	R2354	1-216-829-11	RES-CHIP	4.7K	5%	1/10W
R2308	1-216-809-11	RES-CHIP	100	5%	1/10W	R2355	1-216-809-11	RES-CHIP	100	5%	1/10W
R2309	1-216-809-11	RES-CHIP	100	5%	1/10W	R2356	1-216-805-11	RES-CHIP	47	5%	1/10W
R2310	1-216-833-11	RES-CHIP	10K	5%	1/10W	R2357	1-216-833-11	RES-CHIP	10K	5%	1/10W



REF. NO.	PART NO.	DESCRIPTION	VALUES			REF. NO.	PART NO.	DESCRIPTION	VALUES		
R2358	1-216-821-11	RES-CHIP	1K	5%	1/10W	R2402	1-216-811-11	RES-CHIP	150	5%	1/10W
R2359	1-216-805-11	RES-CHIP	47	5%	1/10W	R2403	1-216-857-11	RES-CHIP	1M	5%	1/10W
R2360	1-216-864-11	SHORT CHIP	0			R2404	1-218-706-11	METAL CHIP	3.9K	0.50%	1/16W
R2361	1-216-864-11	SHORT CHIP	0			R2405	1-216-811-11	RES-CHIP	150	5%	1/10W
R2362	1-216-805-11	RES-CHIP	47	5%	1/10W	R2406	1-216-811-11	RES-CHIP	150	5%	1/10W
R2363	1-216-841-11	RES-CHIP	47K	5%	1/10W	R2407	1-216-811-11	RES-CHIP	150	5%	1/10W
R2364	1-216-809-11	RES-CHIP	100	5%	1/10W	R2408	1-216-829-11	RES-CHIP	4.7K	5%	1/10W
R2365	1-216-864-11	SHORT CHIP	0			R2409	1-216-833-11	RES-CHIP	10K	5%	1/10W
R2366	1-216-864-11	SHORT CHIP	0			R2410	1-216-833-11	RES-CHIP	10K	5%	1/10W
R2367	1-216-829-11	RES-CHIP	4.7K	5%	1/10W	R2411	1-216-825-11	RES-CHIP	2.2K	5%	1/10W
R2368	1-216-809-11	RES-CHIP	100	5%	1/10W	R2412	1-216-825-11	RES-CHIP	2.2K	5%	1/10W
R2369	1-216-805-11	RES-CHIP	47	5%	1/10W	R2413	1-216-829-11	RES-CHIP	4.7K	5%	1/10W
R2370	1-216-833-11	RES-CHIP	10K	5%	1/10W	R2414	1-216-827-11	RES-CHIP	3.3K	5%	1/10W
R2371	1-216-809-11	RES-CHIP	100	5%	1/10W	R2415	1-218-692-11	METAL CHIP	1K	0.50%	1/16W
R2372	1-216-809-11	RES-CHIP	100	5%	1/10W	R2416	1-216-833-11	RES-CHIP	10K	5%	1/10W
R2373	1-216-864-11	SHORT CHIP	0			R2417	1-216-827-11	RES-CHIP	3.3K	5%	1/10W
R2374	1-216-864-11	SHORT CHIP	0			R2418	1-218-692-11	METAL CHIP	1K	0.50%	1/16W
R2375	1-216-837-11	RES-CHIP	22K	5%	1/10W	R2419	1-216-825-11	RES-CHIP	2.2K	5%	1/10W
R2376	1-216-805-11	RES-CHIP	47	5%	1/10W	R2420	1-216-825-11	RES-CHIP	2.2K	5%	1/10W
R2377	1-216-833-11	RES-CHIP	10K	5%	1/10W	R2421	1-216-841-11	RES-CHIP	47K	5%	1/10W
R2378	1-216-829-11	RES-CHIP	4.7K	5%	1/10W	R2422	1-216-833-11	RES-CHIP	10K	5%	1/10W
R2379	1-216-821-11	RES-CHIP	1K	5%	1/10W	R2423	1-216-833-11	RES-CHIP	10K	5%	1/10W
R2380	1-216-809-11	RES-CHIP	100	5%	1/10W	R2424	1-216-833-11	RES-CHIP	10K	5%	1/10W
R2381	1-216-833-11	RES-CHIP	10K	5%	1/10W	R2425	1-216-825-11	RES-CHIP	2.2K	5%	1/10W
R2382	1-216-833-11	RES-CHIP	10K	5%	1/10W	R2426	1-216-841-11	RES-CHIP	47K	5%	1/10W
R2383	1-216-833-11	RES-CHIP	10K	5%	1/10W	R2427	1-216-833-11	RES-CHIP	10K	5%	1/10W
R2384	1-216-833-11	RES-CHIP	10K	5%	1/10W	R2428	1-216-824-11	RES-CHIP	1.8K	5%	1/10W
R2385	1-216-833-11	RES-CHIP	10K	5%	1/10W	R2429	1-216-824-11	RES-CHIP	1.8K	5%	1/10W
R2386	1-216-833-11	RES-CHIP	10K	5%	1/10W	R2430	1-216-825-11	RES-CHIP	2.2K	5%	1/10W
R2387	1-216-833-11	RES-CHIP	10K	5%	1/10W	R2431	1-216-841-11	RES-CHIP	47K	5%	1/10W
R2388	1-216-815-11	RES-CHIP	330	5%	1/10W	R2432	1-216-841-11	RES-CHIP	47K	5%	1/10W
R2389	1-216-815-11	RES-CHIP	330	5%	1/10W	R2433	1-216-833-11	RES-CHIP	10K	5%	1/10W
R2390	1-216-809-11	RES-CHIP	100	5%	1/10W	R2434	1-216-821-11	RES-CHIP	1K	5%	1/10W
R2391	1-216-809-11	RES-CHIP	100	5%	1/10W	R2435	1-216-820-11	RES-CHIP	820	5%	1/10W
R2392	1-216-809-11	RES-CHIP	100	5%	1/10W	R2436	1-216-820-11	RES-CHIP	820	5%	1/10W
R2393	1-216-809-11	RES-CHIP	100	5%	1/10W	R2437	1-216-809-11	RES-CHIP	100	5%	1/10W
R2394	1-216-864-11	SHORT CHIP	0			R2438	1-216-820-11	RES-CHIP	820	5%	1/10W
R2395	1-216-864-11	SHORT CHIP	0			R2450	1-216-864-11	SHORT CHIP	0		
R2396	1-216-833-11	RES-CHIP	10K	5%	1/10W	R2452	1-216-839-11	RES-CHIP	33K	5%	1/10W
R2397	1-216-833-11	RES-CHIP	10K	5%	1/10W	R2453	1-216-833-11	RES-CHIP	10K	5%	1/10W
R2398	1-216-857-11	RES-CHIP	1M	5%	1/10W	R2454	1-216-809-11	RES-CHIP	100	5%	1/10W
R2399	1-218-706-11	METAL CHIP	3.9K	0.50%	1/16W	R2455	1-216-833-11	RES-CHIP	10K	5%	1/10W
R2400	1-216-811-11	RES-CHIP	150	5%	1/10W	R2459	1-216-821-11	RES-CHIP	1K	5%	1/10W
R2401	1-216-811-11	RES-CHIP	150	5%	1/10W	R2460	1-216-809-11	RES-CHIP	100	5%	1/10W



REF. NO.	PART NO.	DESCRIPTION	VALUES			REF. NO.	PART NO.	DESCRIPTION	VALUES		
R2461	1-216-833-11	RES-CHIP	10K	5%	1/10W	R2533	1-216-864-11	SHORT CHIP	0		
R2463	1-216-833-11	RES-CHIP	10K	5%	1/10W	R2534	1-216-837-11	RES-CHIP	22K	5%	1/10W
R2464	1-216-833-11	RES-CHIP	10K	5%	1/10W	R2535	1-216-821-11	RES-CHIP	1K	5%	1/10W
R2466	1-216-833-11	RES-CHIP	10K	5%	1/10W	R2536	1-216-829-11	RES-CHIP	4.7K	5%	1/10W
R2467	1-216-833-11	RES-CHIP	10K	5%	1/10W	R2538	1-216-841-11	RES-CHIP	47K	5%	1/10W
R2469	1-216-809-11	RES-CHIP	100	5%	1/10W	R2539	1-216-841-11	RES-CHIP	47K	5%	1/10W
R2470	1-216-833-11	RES-CHIP	10K	5%	1/10W	R2540	1-216-864-11	SHORT CHIP	0		
R2471	1-216-833-11	RES-CHIP	10K	5%	1/10W	R2541	1-216-864-11	SHORT CHIP	0		
R2472	1-216-833-11	RES-CHIP	10K	5%	1/10W	R2542	1-216-829-11	RES-CHIP	4.7K	5%	1/10W
R2473	1-216-839-11	RES-CHIP	33K	5%	1/10W	R2543	1-216-864-11	SHORT CHIP	0		
R2474	1-216-837-11	RES-CHIP	22K	5%	1/10W	R2546	1-216-813-11	RES-CHIP	220	5%	1/10W
R2480	1-216-845-11	RES-CHIP	100K	5%	1/10W	R2547	1-216-813-11	RES-CHIP	220	5%	1/10W
R2481	1-216-833-11	RES-CHIP	10K	5%	1/10W	R2548	1-216-841-11	RES-CHIP	47K	5%	1/10W
R2483	1-216-829-11	RES-CHIP	4.7K	5%	1/10W	R2549	1-216-813-11	RES-CHIP	220	5%	1/10W
R2484	1-216-841-11	RES-CHIP	47K	5%	1/10W	R2550	1-216-821-11	RES-CHIP	1K	5%	1/10W
R2500	1-216-809-11	RES-CHIP	100	5%	1/10W	R2551	1-216-821-11	RES-CHIP	1K	5%	1/10W
R2501	1-216-839-11	RES-CHIP	33K	5%	1/10W	R2552	1-216-809-11	RES-CHIP	100	5%	1/10W
R2502	1-216-864-11	SHORT CHIP	0			R2553	1-216-853-11	RES-CHIP	470K	5%	1/10W
R2503	1-216-829-11	RES-CHIP	4.7K	5%	1/10W	R2554	1-216-809-11	RES-CHIP	100	5%	1/10W
R2506	1-216-841-11	RES-CHIP	47K	5%	1/10W	R2555	1-216-853-11	RES-CHIP	470K	5%	1/10W
R2508	1-216-825-11	RES-CHIP	2.2K	5%	1/10W	R2556	1-216-821-11	RES-CHIP	1K	5%	1/10W
R2509	1-216-829-11	RES-CHIP	4.7K	5%	1/10W	R2557	1-216-821-11	RES-CHIP	1K	5%	1/10W
R2510	1-216-839-11	RES-CHIP	33K	5%	1/10W	R2558	1-216-833-11	RES-CHIP	10K	5%	1/10W
R2511	1-216-839-11	RES-CHIP	33K	5%	1/10W	R2559	1-216-833-11	RES-CHIP	10K	5%	1/10W
R2512	1-216-829-11	RES-CHIP	4.7K	5%	1/10W	R2560	1-216-833-11	RES-CHIP	10K	5%	1/10W
R2513	1-216-825-11	RES-CHIP	2.2K	5%	1/10W	R2561	1-216-833-11	RES-CHIP	10K	5%	1/10W
R2514	1-216-841-11	RES-CHIP	47K	5%	1/10W	R2562	1-216-833-11	RES-CHIP	10K	5%	1/10W
R2515	1-216-841-11	RES-CHIP	47K	5%	1/10W	R2563	1-216-833-11	RES-CHIP	10K	5%	1/10W
R2516	1-216-839-11	RES-CHIP	33K	5%	1/10W	R2564	1-216-817-11	RES-CHIP	470	5%	1/10W
R2517	1-216-841-11	RES-CHIP	47K	5%	1/10W	R2565	1-216-837-11	RES-CHIP	22K	5%	1/10W
R2518	1-216-825-11	RES-CHIP	2.2K	5%	1/10W	R2566	1-216-837-11	RES-CHIP	22K	5%	1/10W
R2519	1-216-857-11	RES-CHIP	1M	5%	1/10W	R2567	1-216-821-11	RES-CHIP	1K	5%	1/10W
R2520	1-216-864-11	SHORT CHIP	0			R2568	1-216-837-11	RES-CHIP	22K	5%	1/10W
R2521	1-216-864-11	SHORT CHIP	0			R2569	1-216-821-11	RES-CHIP	1K	5%	1/10W
R2522	1-216-829-11	RES-CHIP	4.7K	5%	1/10W	R2570	1-216-837-11	RES-CHIP	22K	5%	1/10W
R2523	1-216-813-11	RES-CHIP	220	5%	1/10W	R2571	1-216-821-11	RES-CHIP	1K	5%	1/10W
R2524	1-216-809-11	RES-CHIP	100	5%	1/10W	R2572	1-216-837-11	RES-CHIP	22K	5%	1/10W
R2525	1-216-813-11	RES-CHIP	220	5%	1/10W	R2573	1-216-837-11	RES-CHIP	22K	5%	1/10W
R2526	1-216-864-11	SHORT CHIP	0			R2574	1-216-837-11	RES-CHIP	22K	5%	1/10W
R2528	1-216-809-11	RES-CHIP	100	5%	1/10W	R2575	1-216-837-11	RES-CHIP	22K	5%	1/10W
R2529	1-216-809-11	RES-CHIP	100	5%	1/10W	R2576	1-216-821-11	RES-CHIP	1K	5%	1/10W
R2530	1-216-809-11	RES-CHIP	100	5%	1/10W	R2577	1-216-837-11	RES-CHIP	22K	5%	1/10W
R2531	1-216-821-11	RES-CHIP	1K	5%	1/10W	R2578	1-216-821-11	RES-CHIP	1K	5%	1/10W
R2532	1-216-837-11	RES-CHIP	22K	5%	1/10W	R2579	1-216-837-11	RES-CHIP	22K	5%	1/10W



REF. NO.	PART NO.	DESCRIPTION	VALUES			REF. NO.	PART NO.	DESCRIPTION	VALUES		
R2580	1-216-821-11	RES-CHIP	1K	5%	1/10W	R1101	1-247-895-91	CARBON	470K	5%	1/4W
R2581	1-216-825-11	RES-CHIP	2.2K	5%	1/10W	R1102	1-247-804-11	CARBON	75	5%	1/4W
R2582	1-216-809-11	RES-CHIP	100	5%	1/10W	R1103	1-247-804-11	CARBON	75	5%	1/4W
R2584	1-216-813-11	RES-CHIP	220	5%	1/10W	R1106	1-249-417-11	CARBON	1K	5%	1/4W
R2585	1-216-864-11	SHORT CHIP	0			R1107	1-247-804-11	CARBON	75	5%	1/4W
R2593	1-216-864-11	SHORT CHIP	0			<div style="border: 1px solid black; padding: 5px; width: fit-content; margin-bottom: 10px;"> <b>HM</b> </div> <p>The HM board is <u>not</u> field repairable. If service is required, use the following part number to order a complete replacement board. Data is provided for reference only.</p>					
R2603	1-216-845-11	RES-CHIP	100K	5%	1/10W						
R2604	1-216-845-11	RES-CHIP	100K	5%	1/10W						
R2605	1-216-864-11	SHORT CHIP	0								
R2607	1-216-821-11	RES-CHIP	1K	5%	1/10W						
R2608	1-216-833-11	RES-CHIP	10K	5%	1/10W						
<u>CRYSTAL</u>											
X2001	1-567-505-11	OSCILLATOR, CRYSTAL									
X2002	1-567-505-11	OSCILLATOR, CRYSTAL									
X2003	1-781-282-11	VIBRATOR, CERAMIC									
X2200	1-767-606-11	VIBRATOR, CRYSTAL									
X2300	1-795-572-11	VIBRATOR, CRYSTAL									
X2302	1-795-565-21	VIBRATOR, CERAMIC									
X2303	1-795-565-21	VIBRATOR, CERAMIC									
X2500	1-767-639-21	VIBRATOR, CRYSTAL									
<u>CAPACITOR</u>											
C7205	1-164-156-11	CERAMIC CHIP	0.1µF		25V						
C7206	1-163-021-91	CERAMIC CHIP	0.01µF	10%	50V						
C7208	1-124-779-00	ELECT CHIP	10µF	20%	16V						
C7209	1-164-156-11	CERAMIC CHIP	0.1µF		25V						
C7210	1-163-021-91	CERAMIC CHIP	0.01µF	10%	50V						
C7212	1-164-156-11	CERAMIC CHIP	0.1µF		25V						
C7213	1-124-778-00	ELECT CHIP	22µF	20%	6.3V						
C7214	1-107-826-11	CERAMIC CHIP	0.1µF	10%	16V						
C7215	1-107-826-11	CERAMIC CHIP	0.1µF	10%	16V						
C7216	1-107-826-11	CERAMIC CHIP	0.1µF	10%	16V						
C7217	1-124-778-00	ELECT CHIP	22µF	20%	6.3V						
C7219	1-162-970-11	CERAMIC CHIP	0.01µF	10%	25V						
C7220	1-162-970-11	CERAMIC CHIP	0.01µF	10%	25V						
<u>CONNECTOR</u>											
CN7201	1-816-402-11	CONNECTOR, MEMORY STICK									
CN7205	1-695-915-11	TAB (CONTACT)									
<u>DIODE</u>											
D7201	8-719-800-76	DIODE MA153-TX									
D7202	8-719-800-76	DIODE MA153-TX									
D7203	8-719-800-76	DIODE MA153-TX									
D7204	8-719-800-76	DIODE MA153-TX									
D7205	8-719-800-76	DIODE MA153-TX									
D7206	8-719-800-76	DIODE MA153-TX									
D7207	8-719-800-76	DIODE MA153-TX									
D7208	8-719-800-76	DIODE MA153-TX									
D7209	6-500-182-01	DIODE L1503CB/ID									
D7210	8-719-083-58	DIODE UDZSTE-173.9B									



\* **A-1400-747-A** **HB BOARD, MOUNTED**

CAPACITOR

C1100	1-126-960-11	ELECT	1µF	20%	50V
C1101	1-126-960-11	ELECT	1µF	20%	50V

CONNECTOR

\* CN1101 1-564-526-11 PLUG,CONNECTOR 11P

DIODE

D1100	8-719-110-17	DIODE MTZJ-T-77-10B
D1101	8-719-110-17	DIODE MTZJ-T-77-10B
D1103	8-719-110-17	DIODE MTZJ-T-77-10B

JACK

J1101 1-770-361-11 TERMINAL BLOCK, S

RESISTOR

R1100 1-247-895-91 CARBON 470K 5% 1/4W

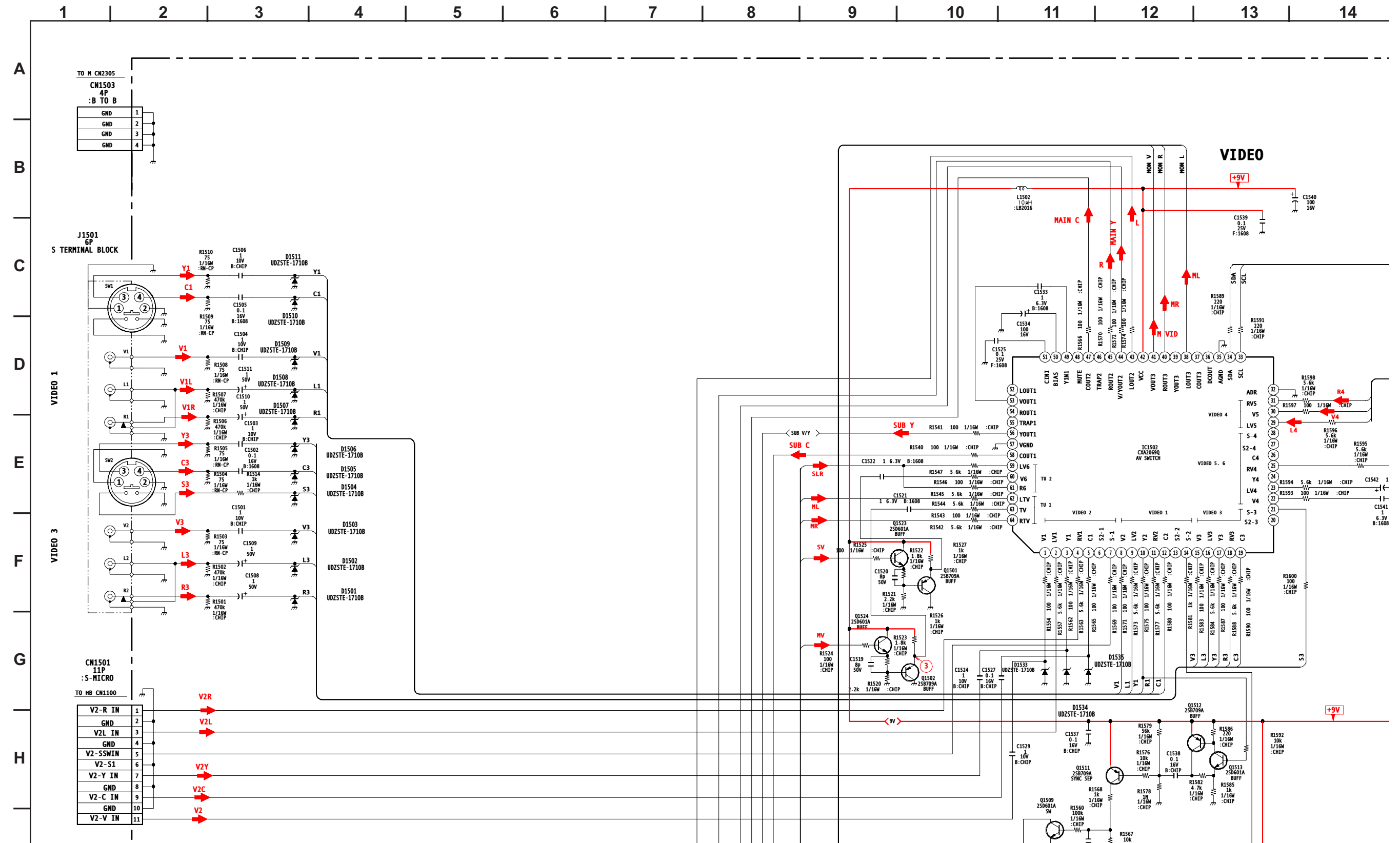


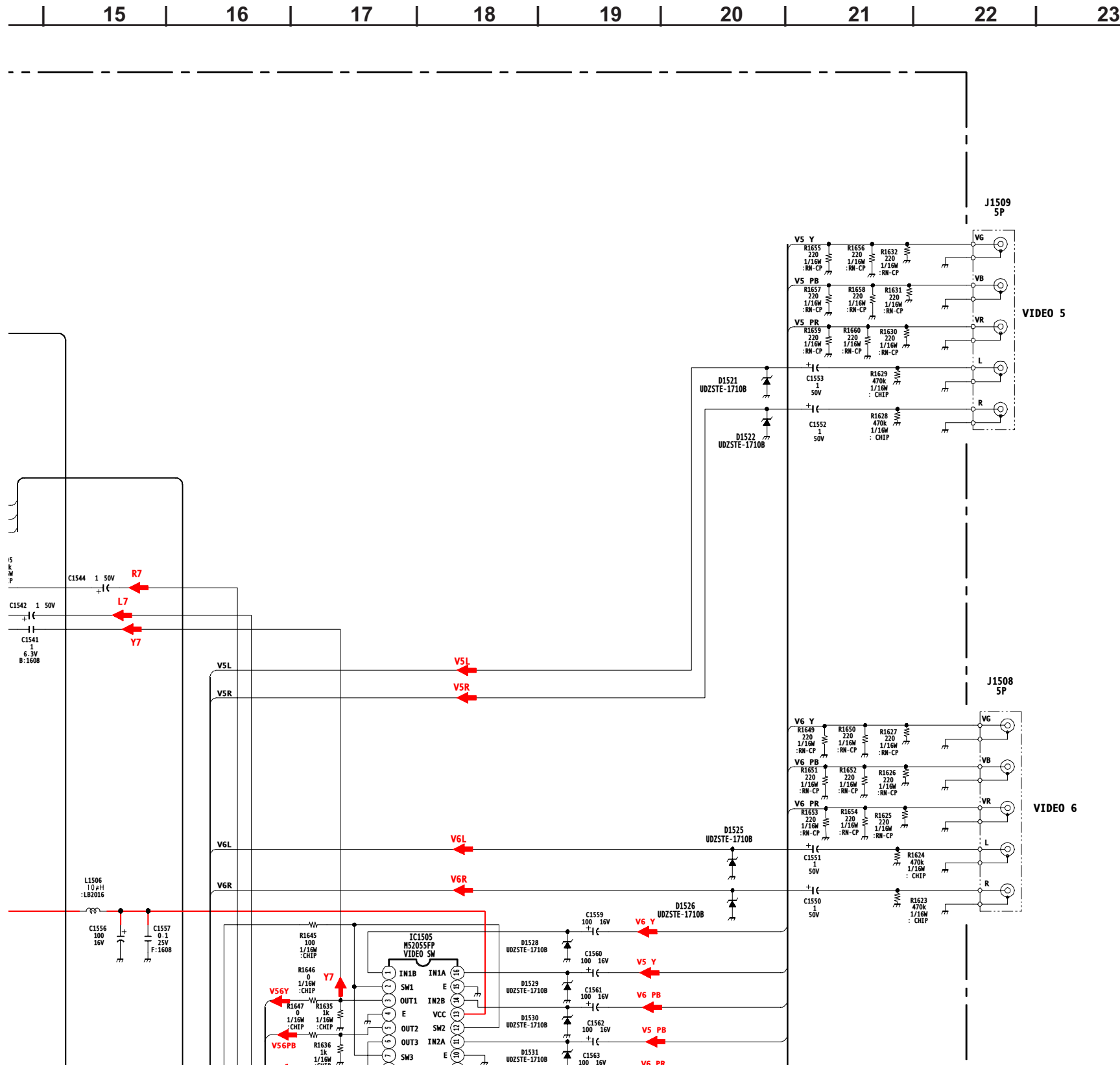




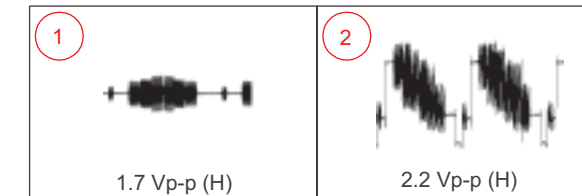
REF. NO.	PART NO.	DESCRIPTION	VALUES	REF. NO.	PART NO.	DESCRIPTION	VALUES
<p>The SR board is <u>not</u> field repairable. If service is required, use the following part number to order a complete replacement board. Data is provided for reference only.</p>				<b>ACCESSORIES AND PACKING</b>			
*	A-1400-759-A	SR BOARD, MOUNTED			1-796-426-11	CD-ROM	
	<b>CONNECTOR</b>			*	4-042-463-01	SHEET, PROTECTION	
*	CN9901	1-564-506-11	PLUG,CONNECTOR 3P	*	4-076-420-01	BAG, PROTECTION	
	<b>DIODE</b>				4-088-026-11	MANUAL, INSTRUCTION	
	D9902	8-719-069-55	DIODE UDZSTE-175.6B		4-088-026-21	MANUAL, INSTRUCTION (KP-57WV700/65WV700 ONLY)	
	<b>BATTERY</b>				4-088-026-31	MANUAL, INSTRUCTION (KP-65WV700 ONLY)	
	SB9901	1-756-295-11	BATTERY, SOLAR	*	4-088-440-01	CUSHION, UPPER (KP-57WV600/57WV700 ONLY)	
				*	4-088-441-01	CUSHION, LOWER (KP-57WV700 ONLY)	
				*	4-088-444-01	CUSHION, LOWER (KP-57WV600 ONLY)	
				*	4-088-445-01	CUSHION, UPPER (KP-65WV600/65WV700 ONLY)	
				*	4-088-446-01	CUSHION, LOWER (KP-65WV600/65WV700 ONLY)	
				*	4-088-442-01	INDIVIDUAL, CARTON (KP-57WV600/57WV700 ONLY)	
				*	4-088-447-01	INDIVIDUAL, CARTON (KP-65WV600/65WV700 ONLY)	
				*	4-088-443-01	TRAY (KP-57WV600/57WV700 ONLY)	
				*	4-088-448-01	TRAY (KP-65WV600/65WV700 ONLY)	
					1-468-681-11	REMOTE COMMANDER RM-Y188	
					4-081-888-01	BATTERY COVER (for RM-Y188)	

# U BOARD SCHEMATIC DIAGRAM





### U BOARD WAVEFORMS



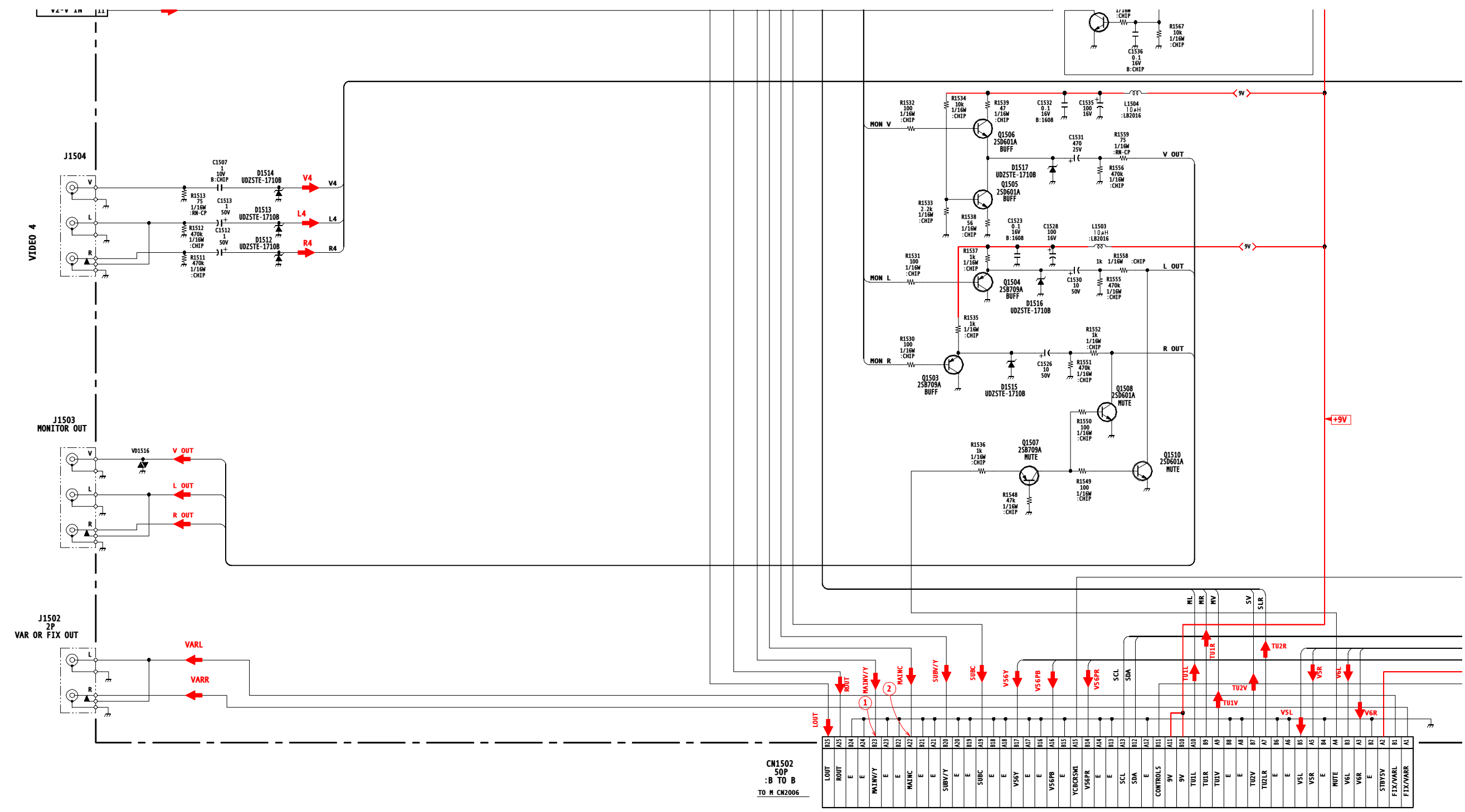
### U BOARD IC VOLTAGE LIST

IC1502		21	4.9	43	4.5	IC1505	
PIN	VOLT	22	3.9	44	4.3	PIN	VOLT
1	3.9	23	4.5	45	4.5	1	4.7
2	4.5	24	N/C	46	N/C	2	0.0
3	3.9	25	4.5	47	4.4	3	3.2
4	4.5	26	N/C	48	N/C	4	GND
5	4.5	27	N/C	49	4.9	5	3.2
6	N/C	28	N/C	50	4.5	6	3.2
7	4.9	29	4.5	51	4.5	7	0.0
8	4.3	30	3.9	52	N/C	8	4.6
9	4.5	31	4.5	53	4.4	9	4.6
10	3.9	32	GND	54	N/C	10	GND
11	4.5	33	4.6	55	N/C	11	4.7
12	4.5	34	4.6	56	4.1	12	0.0
13	N/C	35	GND	57	GND	13	9.0
14	4.9	36	N/C	58	4.4	14	4.7
15	3.9	37	N/C	59	4.5	15	GND
16	4.5	38	4.5	60	5.0	16	4.7
17	3.9	39	N/C	61	4.5	All voltages are in V.	
18	4.5	40	4.5	62	4.5		
19	4.5	41	4.4	63	4.9		
20	N/C	42	9.0	64	4.5		

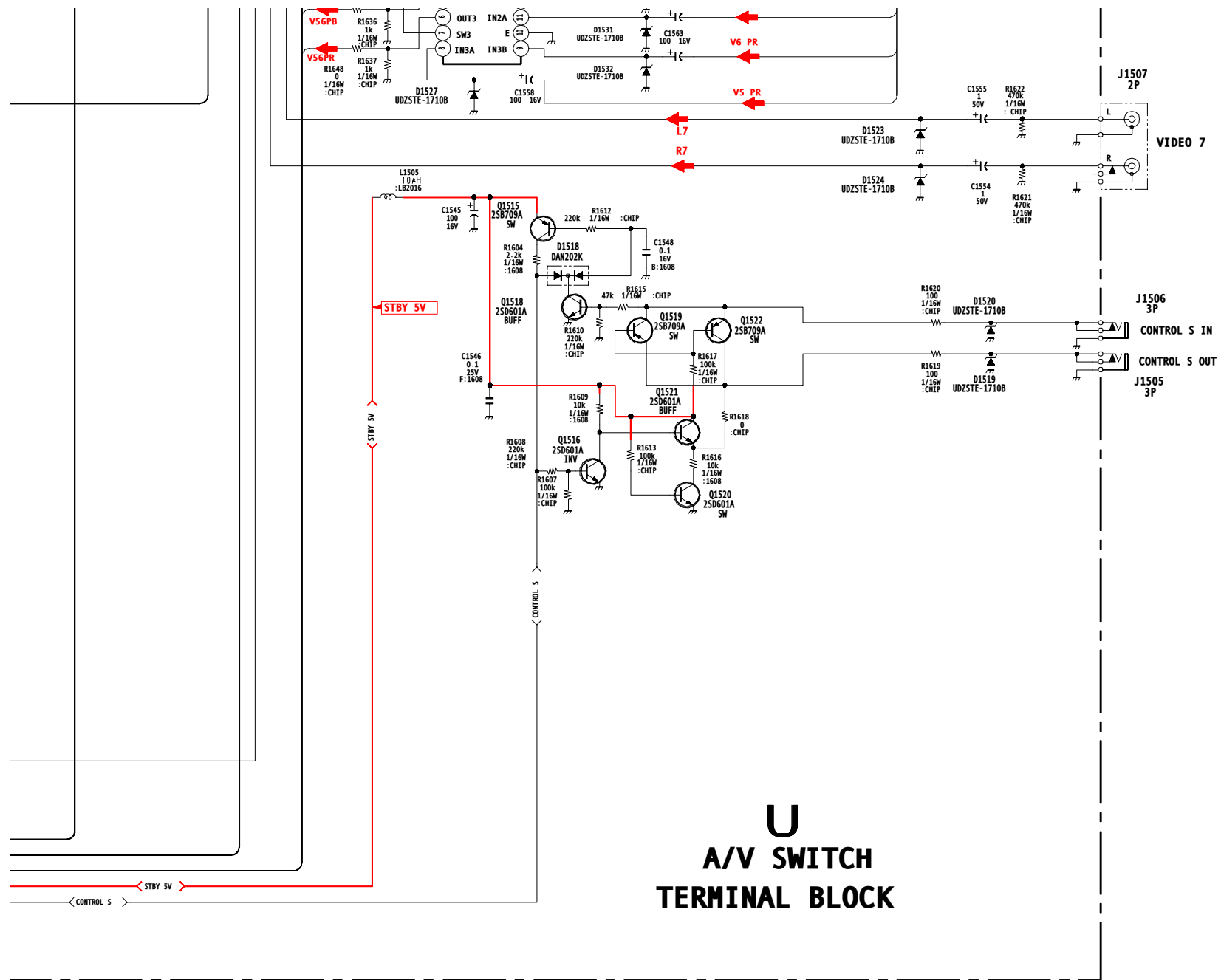
### U BOARD TRANSISTOR TABLE

	B	C	E
Q1501	2.0	GND	2.7
Q1502	3.3	GND	4.0

I  
J  
K  
L  
M  
N  
O  
P





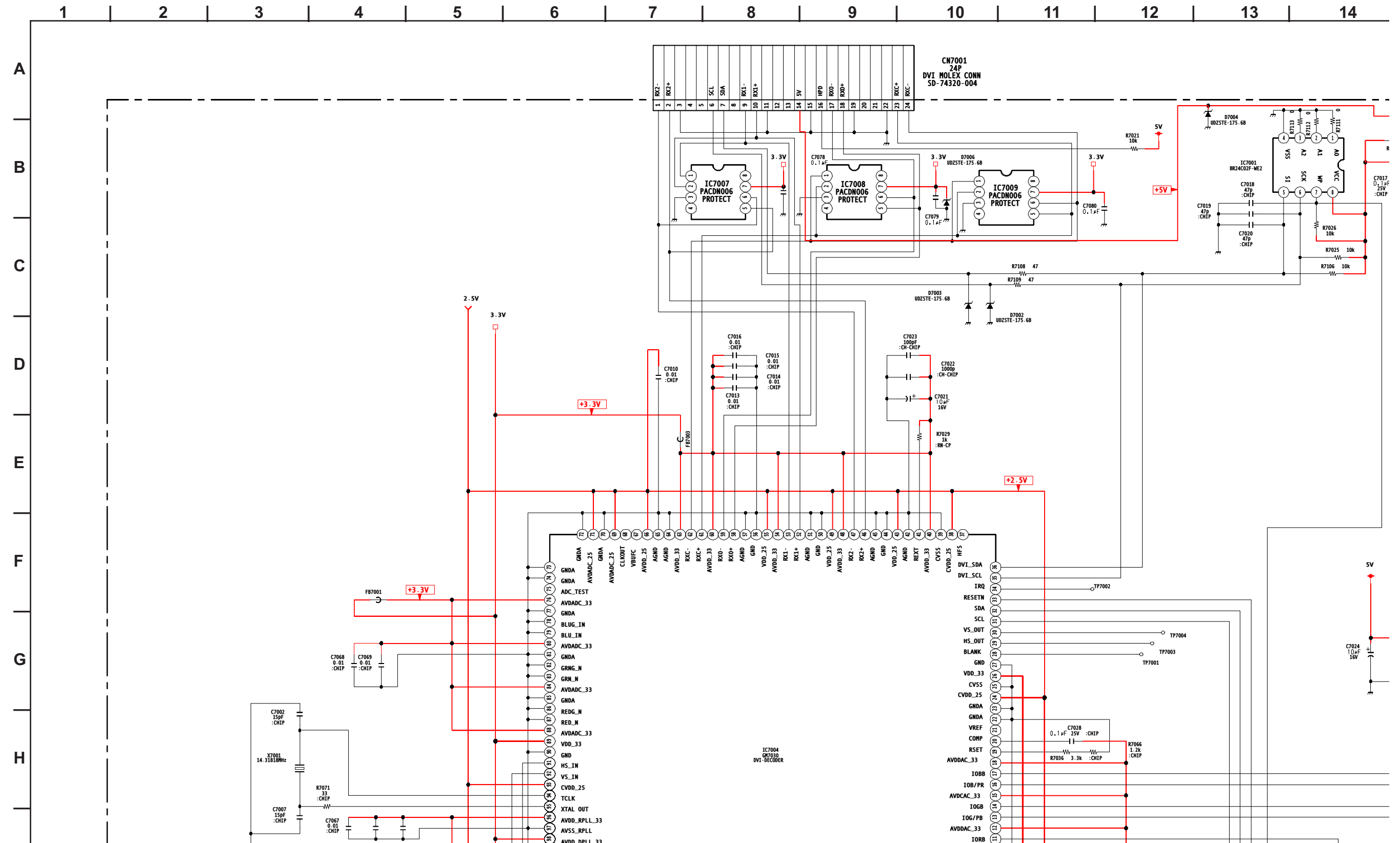


9-965-926-01<DA4X> U

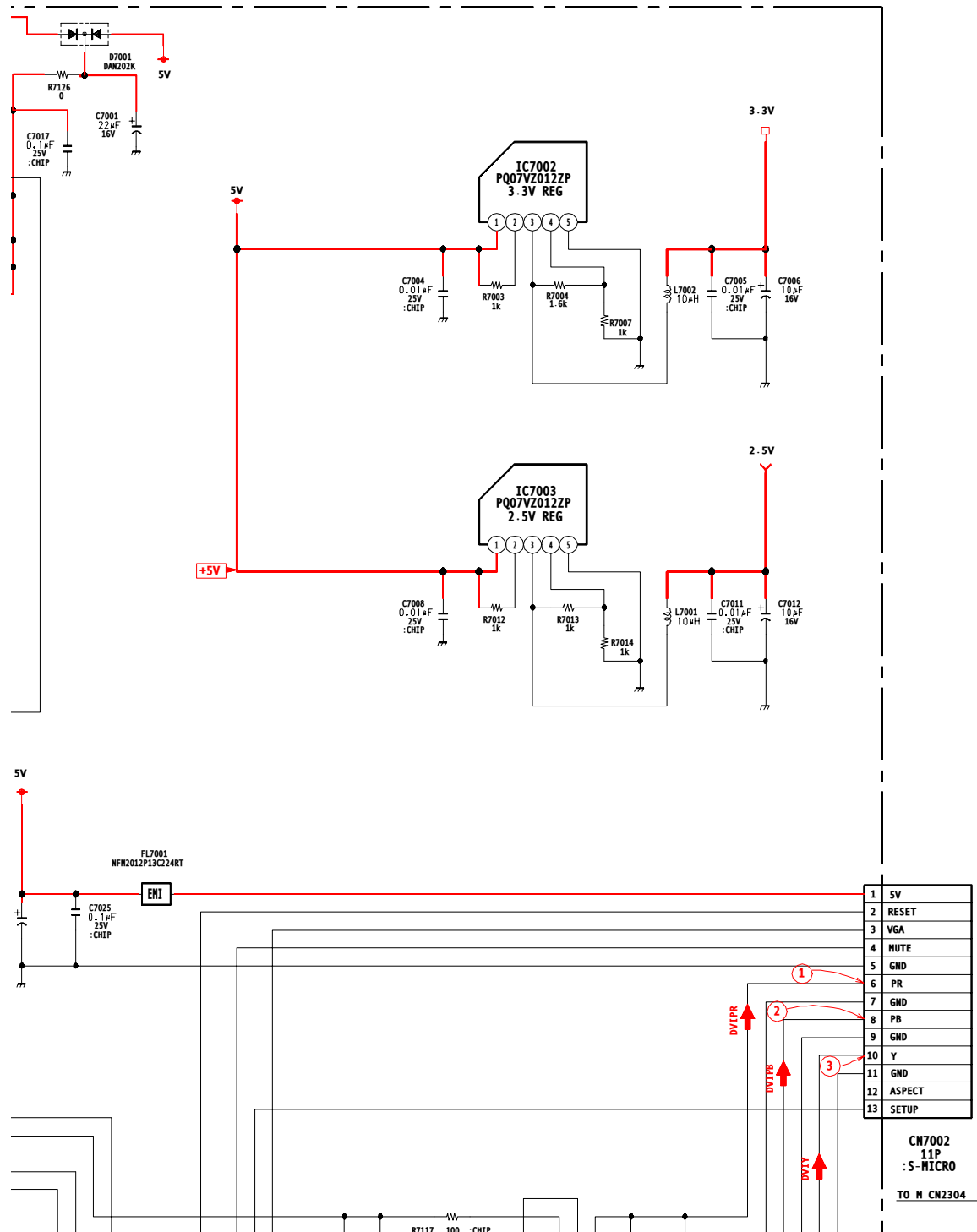
Q1502	3.3	GND	4.0
Q1503	4.5	GND	5.2
Q1504	4.5	GND	5.2
Q1505	1.6	3.7	0.9
Q1506	4.4	8.3	3.8
Q1507	0.0	0.0	0.0
Q1508	0.0	0.0	GND
Q1509	0.0	4.9	GND
Q1510	0.0	0.0	GND
Q1511	8.5	0.0	9.0
Q1512	8.4	5.3	9.0
Q1513	3.8	8.4	3.2
Q1515	4.9	4.2	5.0
Q1516	0.6	0.1	GND
Q1518	0.0	4.9	GND
Q1519	5.0	0.0	0.0
Q1520	0.6	0.0	GND
Q1521	0.1	5.0	0.0
Q1522	5.0	0.0	0.0
Q1523	4.5	9.0	3.9
Q1524	6.5	9.0	3.9

All voltages are in V.

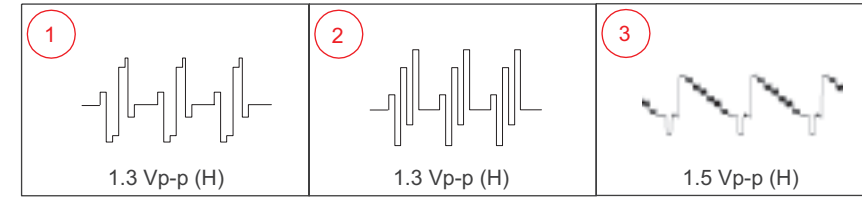
**UD BOARD SCHEMATIC DIAGRAM** The UD board is not field repairable. If service is required, use the following part number to order a complete replacement board.  
 A-1300-324-A UD Board, Complete



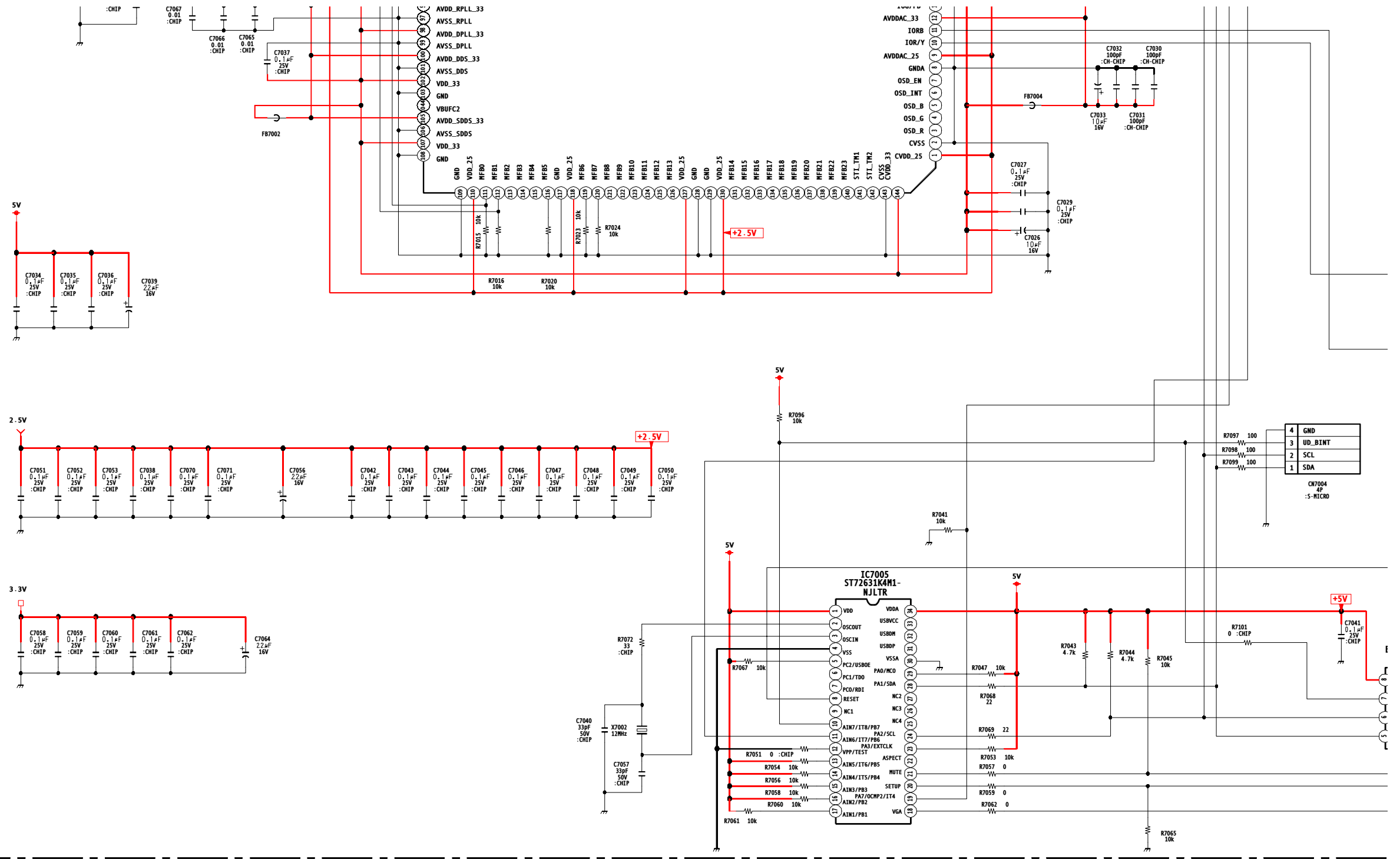
15 | 16 | 17 | 18 | 19 | 2

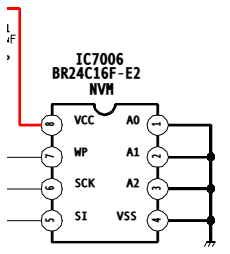
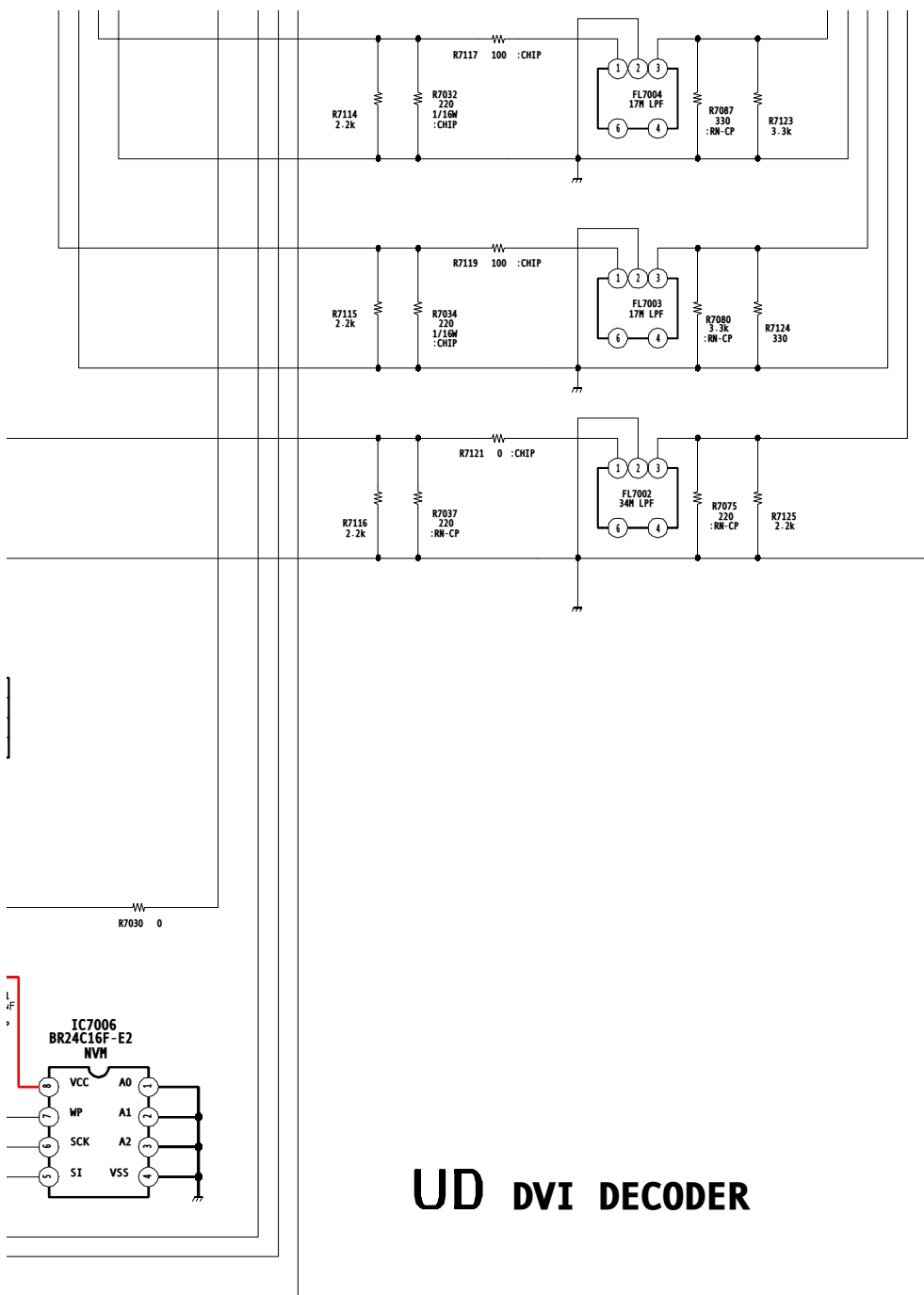


### UD BOARD WAVEFORMS



I  
J  
K  
L  
M  
N  
O  
P



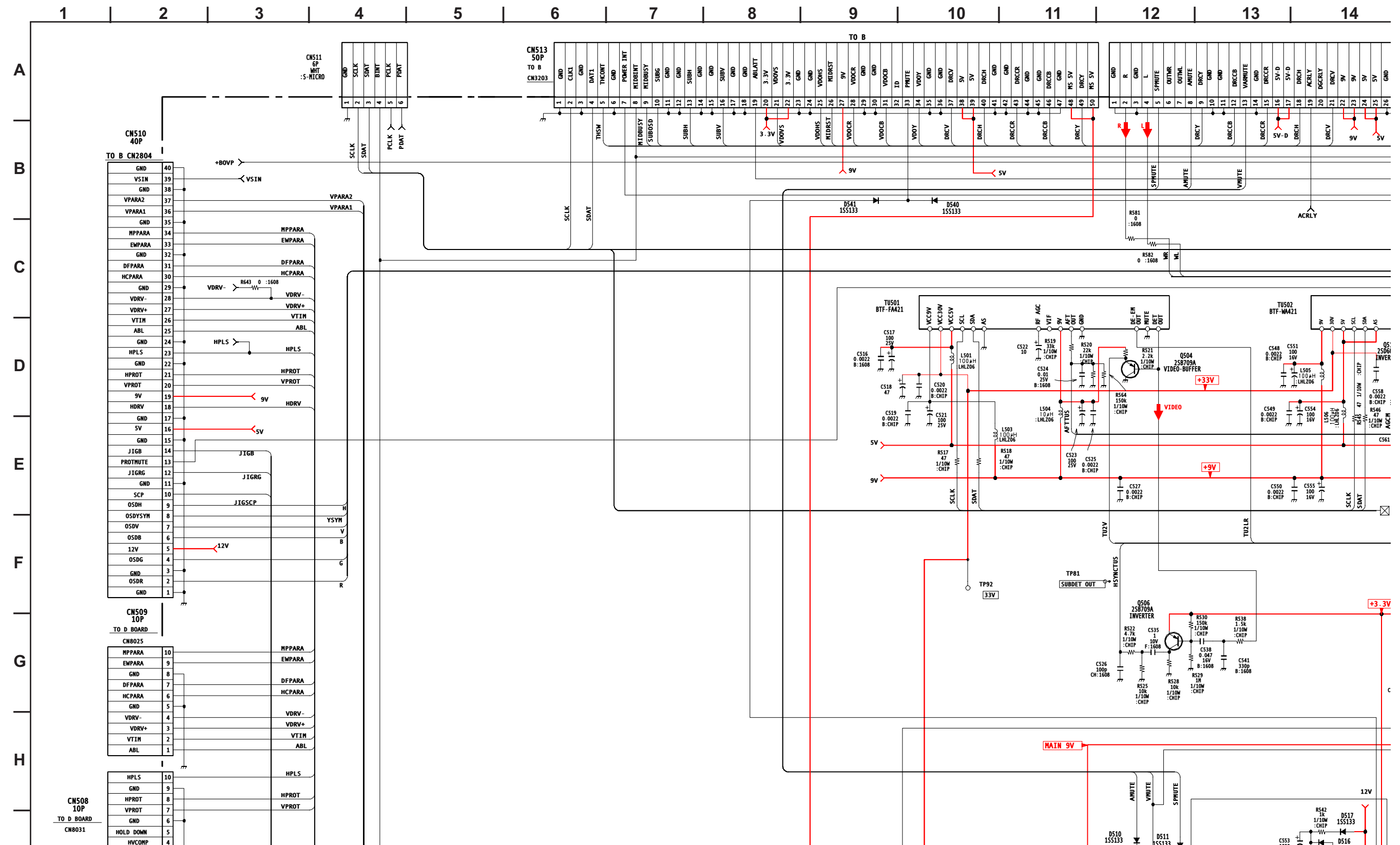


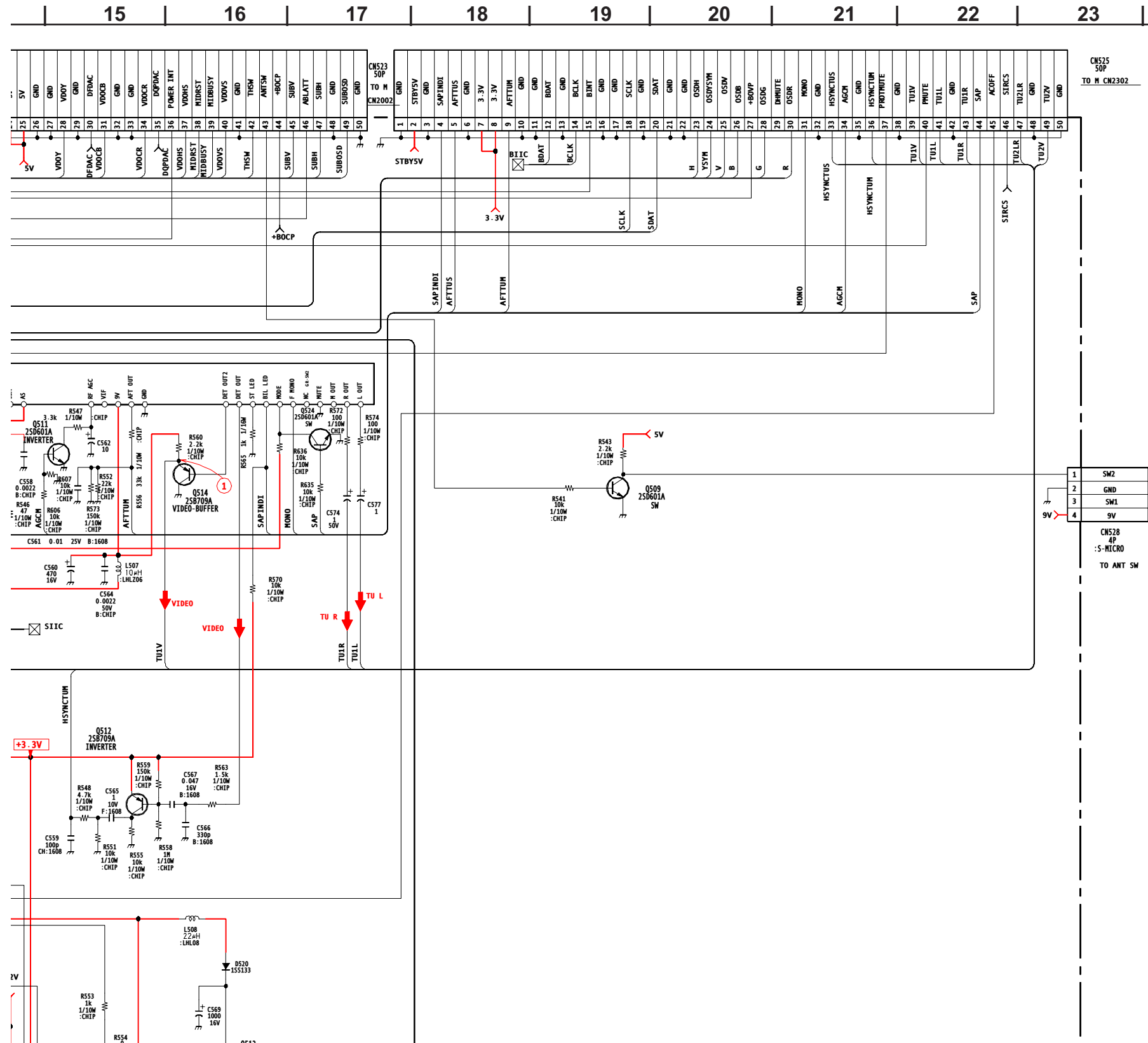
# UD DVI DECODER

TO M\_CN2304

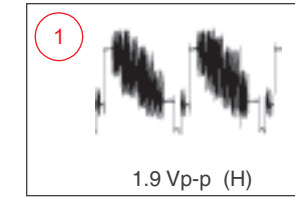


# A BOARD SCHEMATIC DIAGRAM





### A BOARD WAVEFORMS



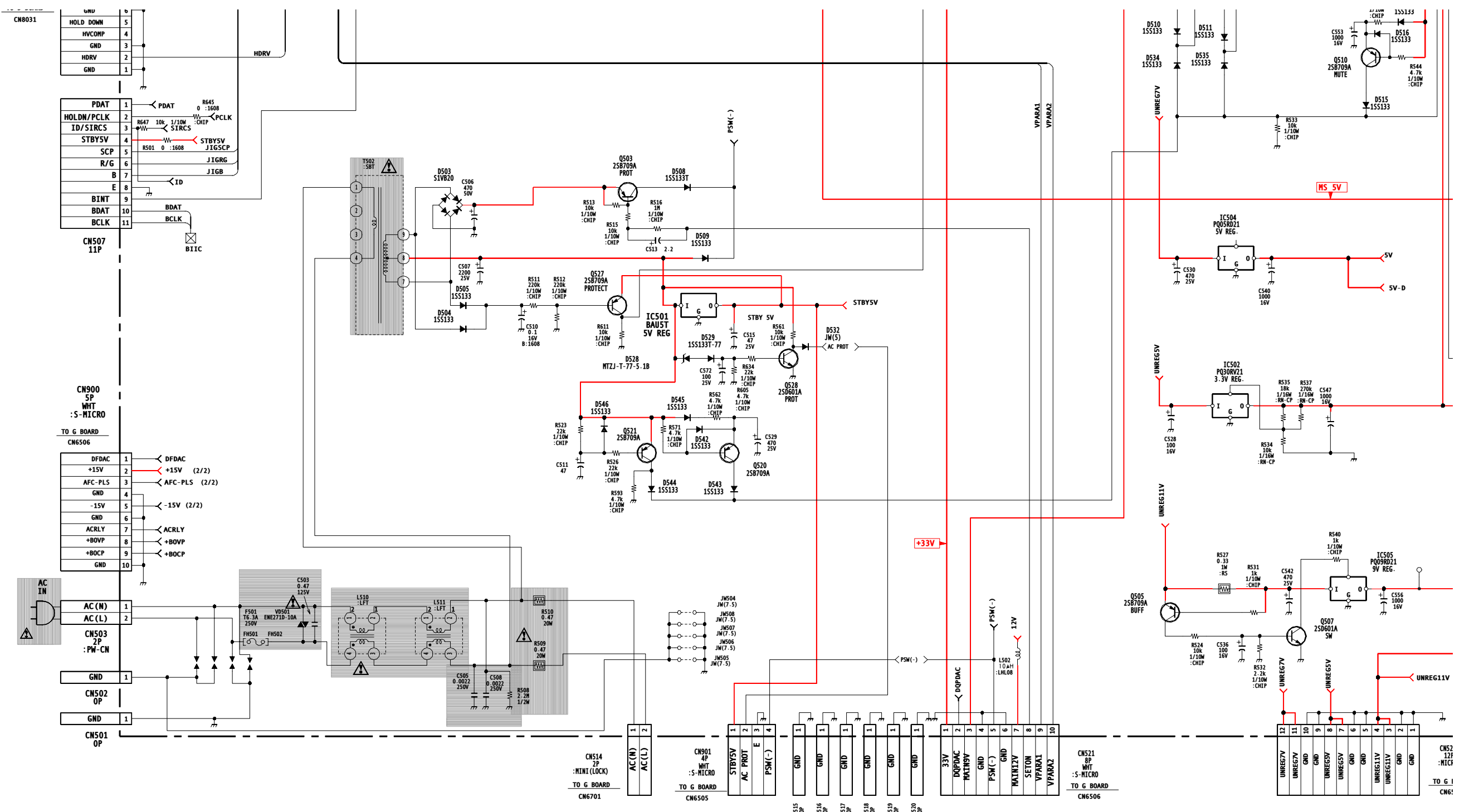
### A BOARD IC VOLTAGE LIST

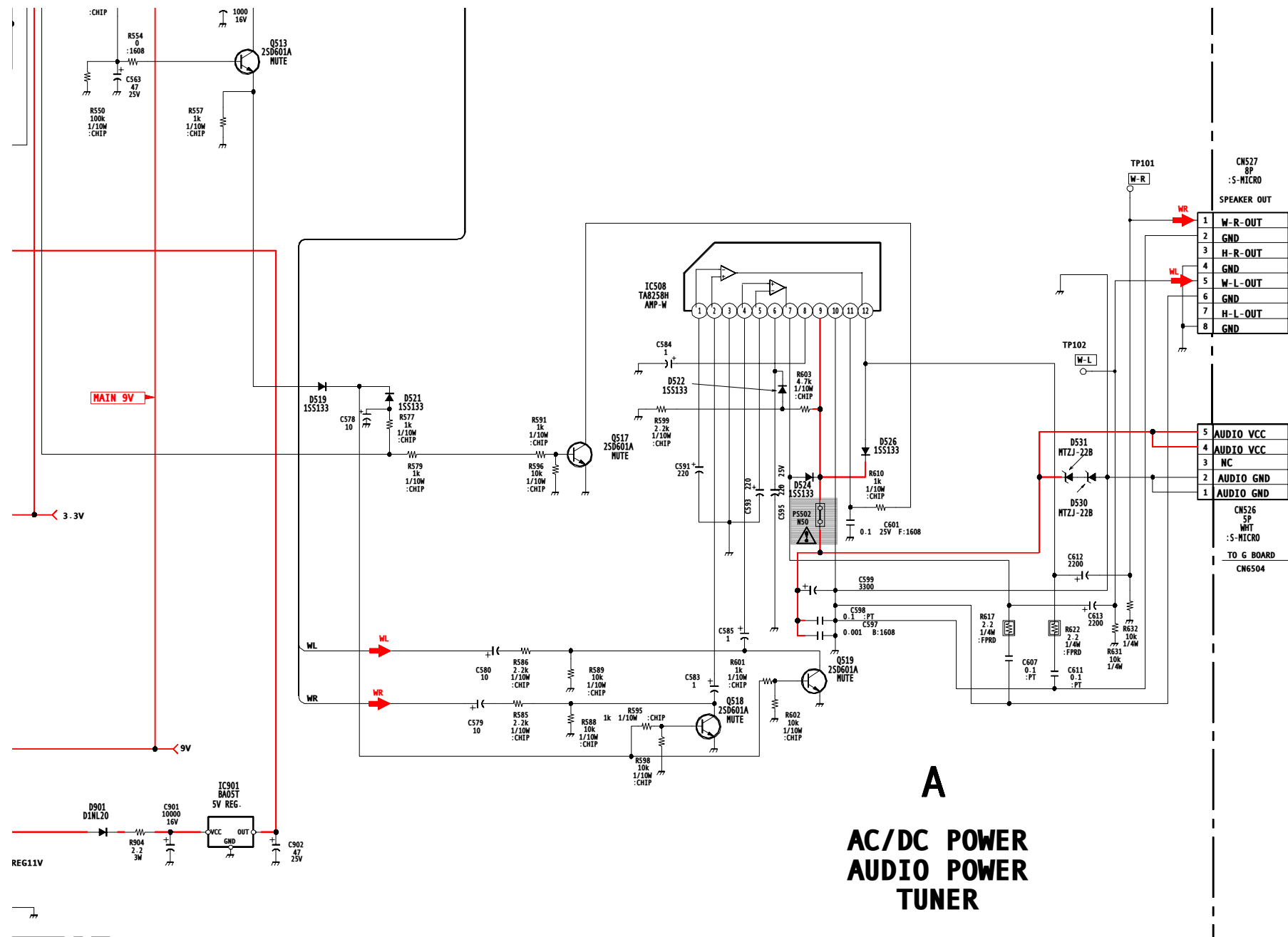
IC501		IC508	
PIN	VOLT	PIN	VOLT
I	9.7	1	1.6
O	5.0	2	0.1
GND	GND	3	GND
IC502		4	0.1
PIN	VOLT	5	1.6
I	5.0	6	7.9
O	3.3	7	11.0
GND	GND	8	5.1
4	3.4	9	24.0
IC504		10	0.0
PIN	VOLT	11	4.4
I	7.0	12	10.6
O	5.0	IC901	
GND	GND	PIN	VOLT
4	N/C	I	11.0
IC505		O	5.0
PIN	VOLT	GND	GND
I	11.0	All voltages are in V.	
O	9.0		
GND	GND		
4	2.3		

### A BOARD TRANSISTOR VOLTAGE LIST

	B	C	E
Q503	21.2	0.2	21.3
Q504	3.9	GND	4.5
Q505	10.0	0.1	11.0
Q506	2.5	0.5	2.2

I  
J  
K  
L  
M  
N  
O  
P





Q505	10.0	0.1	11.0
Q506	3.5	0.5	3.3
Q507	0.1	2.3	GND
Q509	0.7	0.1	GND
Q510	12.0	0.0	12.0
Q511	0.1	7.5	GND
Q512	3.3	0.5	3.3
Q513	0.0	9.0	0.0
Q514	5.9	GND	6.5
Q517	0.0	4.4	GND
Q518	0.0	0.0	GND
Q519	0.0	0.0	GND
Q520	9.7	0.0	9.7
Q521	9.7	0.0	9.7
Q524	0.7	0.1	GND
Q527	9.8	0.0	5.0
Q528	0.7	0.0	GND

All voltages are in V.

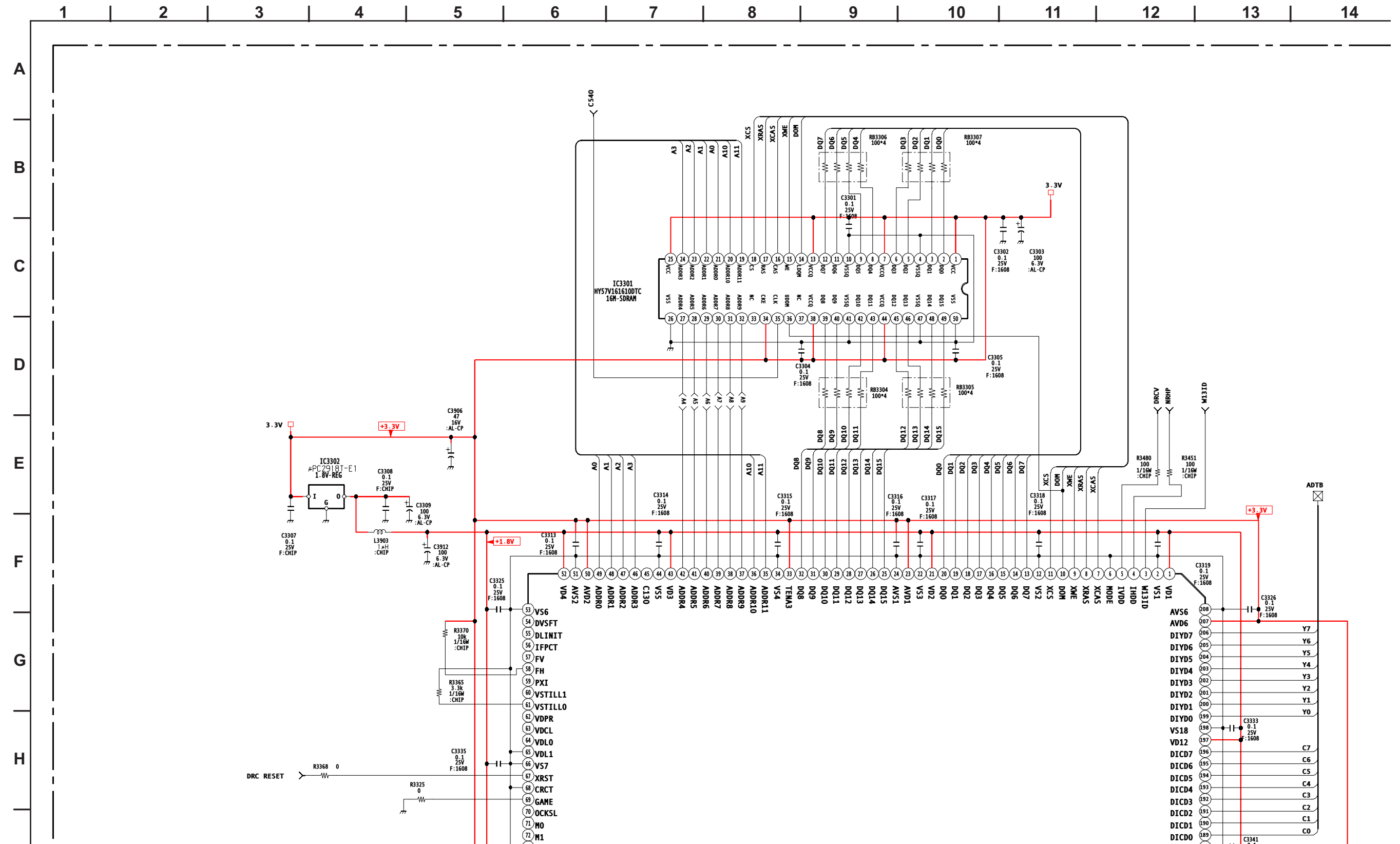
**A**  
**AC/DC POWER**  
**AUDIO POWER**  
**TUNER**

9-965-926-01<DA4x>A

CN524  
12P  
:MICRO  
TO G BOARD  
CN6507

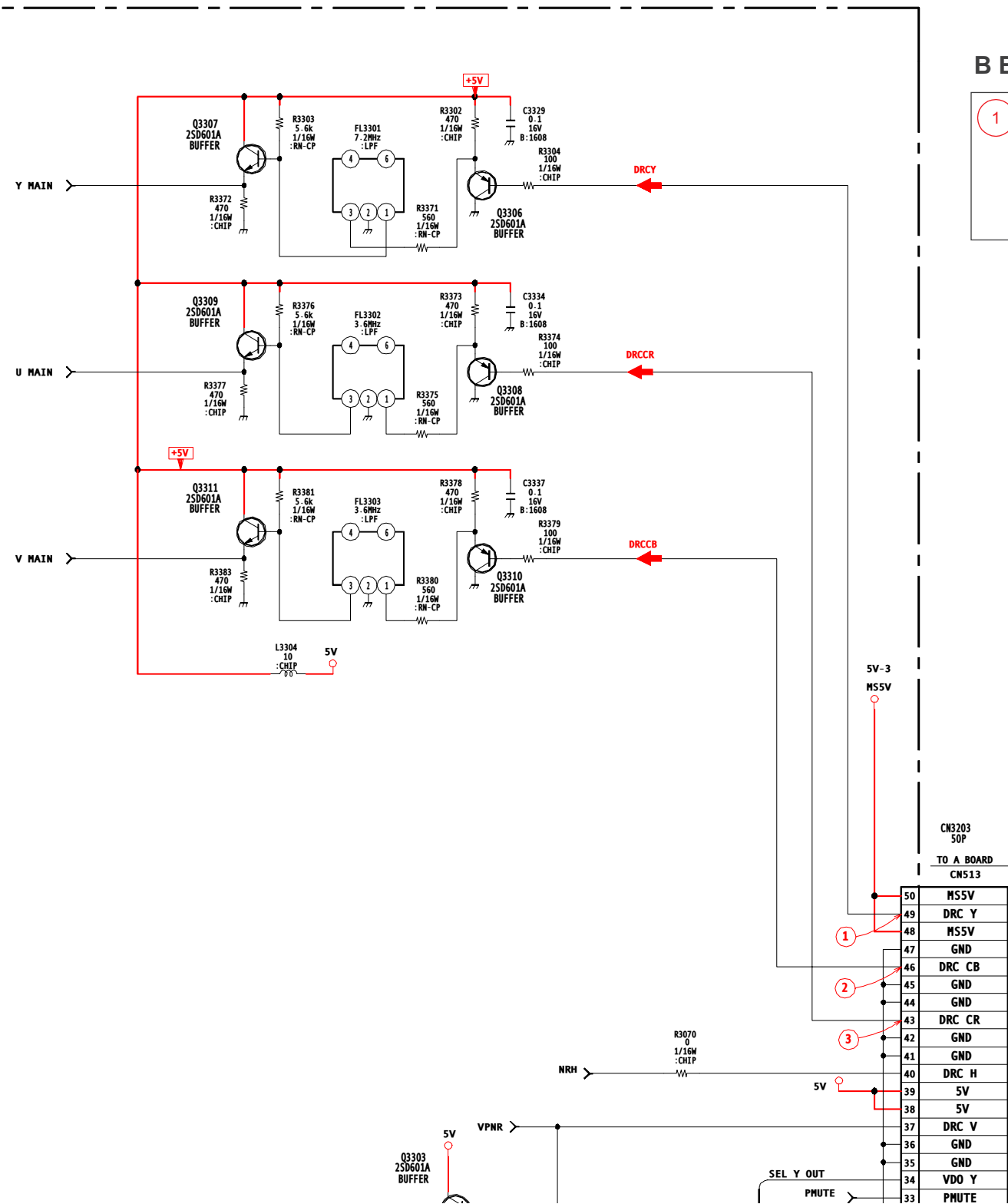
# B BOARD SCHEMATIC DIAGRAM (1 OF 6)

The B board is not field repairable. If service is required, use the following part number to order a complete replacement board.  
A-1300-407-A B Board, Complete

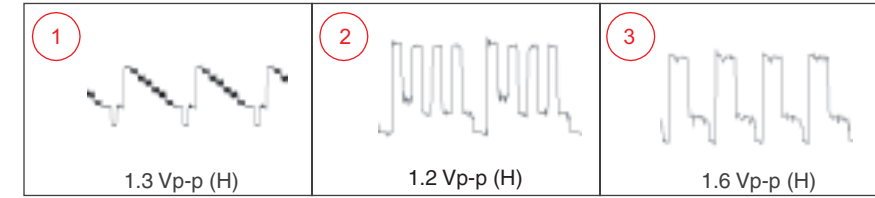




15 | 16 | 17 | 18 | 19 | 20 | 21 | 22 | 23 | 24



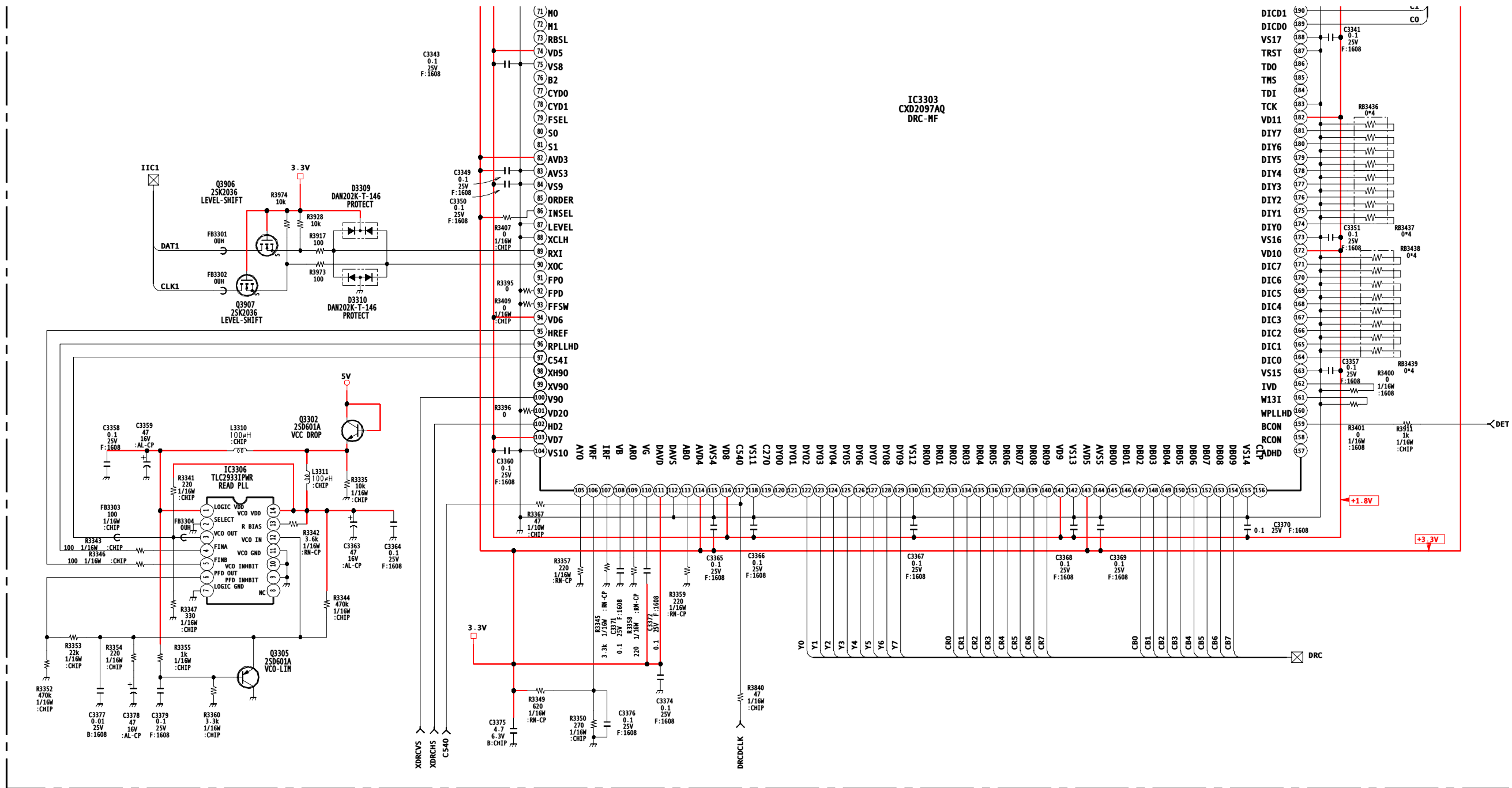
**B BOARD WAVEFORMS**



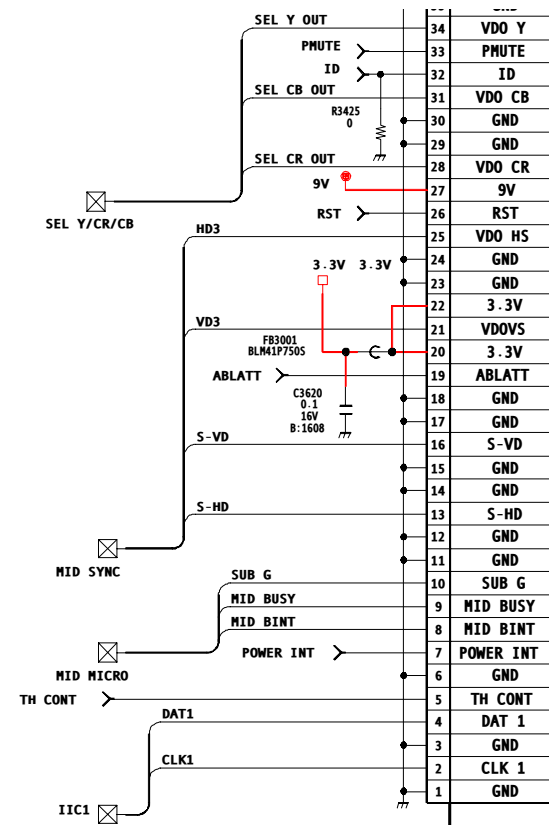
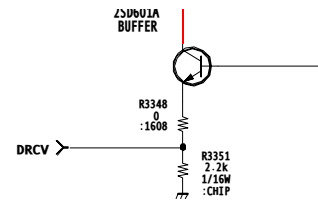
CN3203  
50P  
TO A BOARD  
CN513

50	MS5V
49	DRC Y
48	MS5V
47	GND
46	DRC CB
45	GND
44	GND
43	DRC CR
42	GND
41	GND
40	DRC H
39	5V
38	5V
37	DRC V
36	GND
35	GND
34	VDO Y
33	PMUTE

I  
J  
K  
L  
M  
N  
O  
P

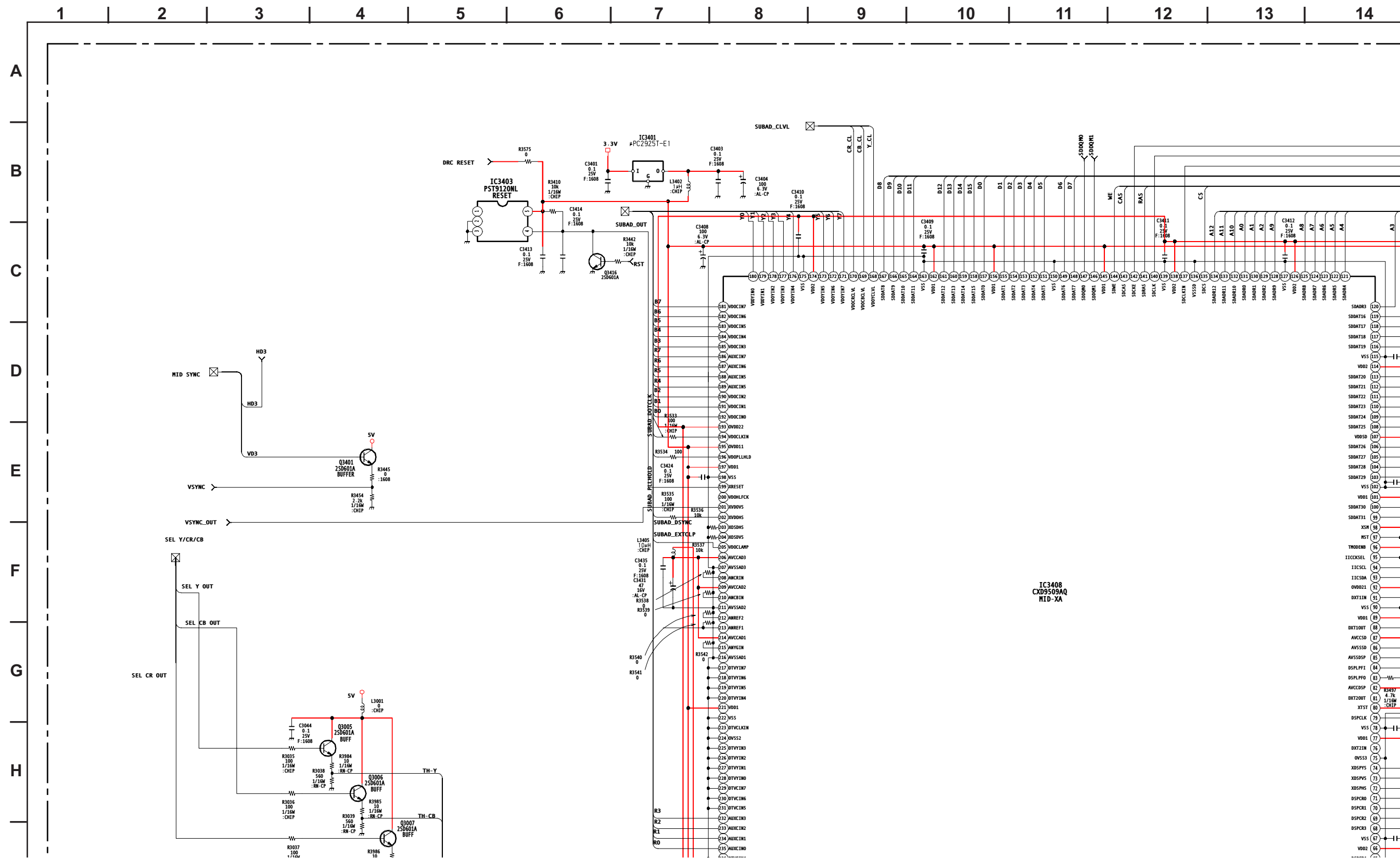


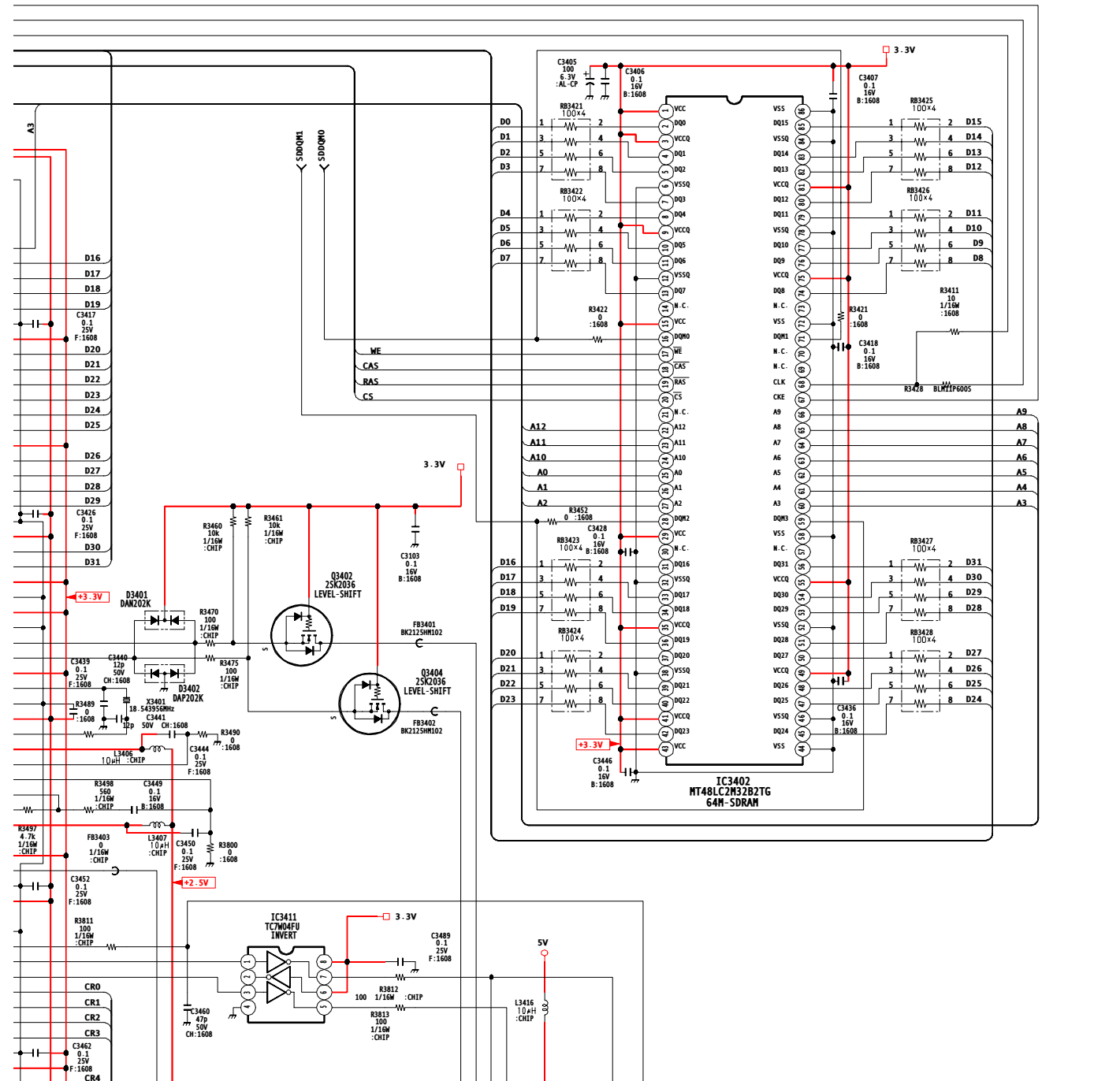
DETECT



**B (1/6)**  
AD-DRC

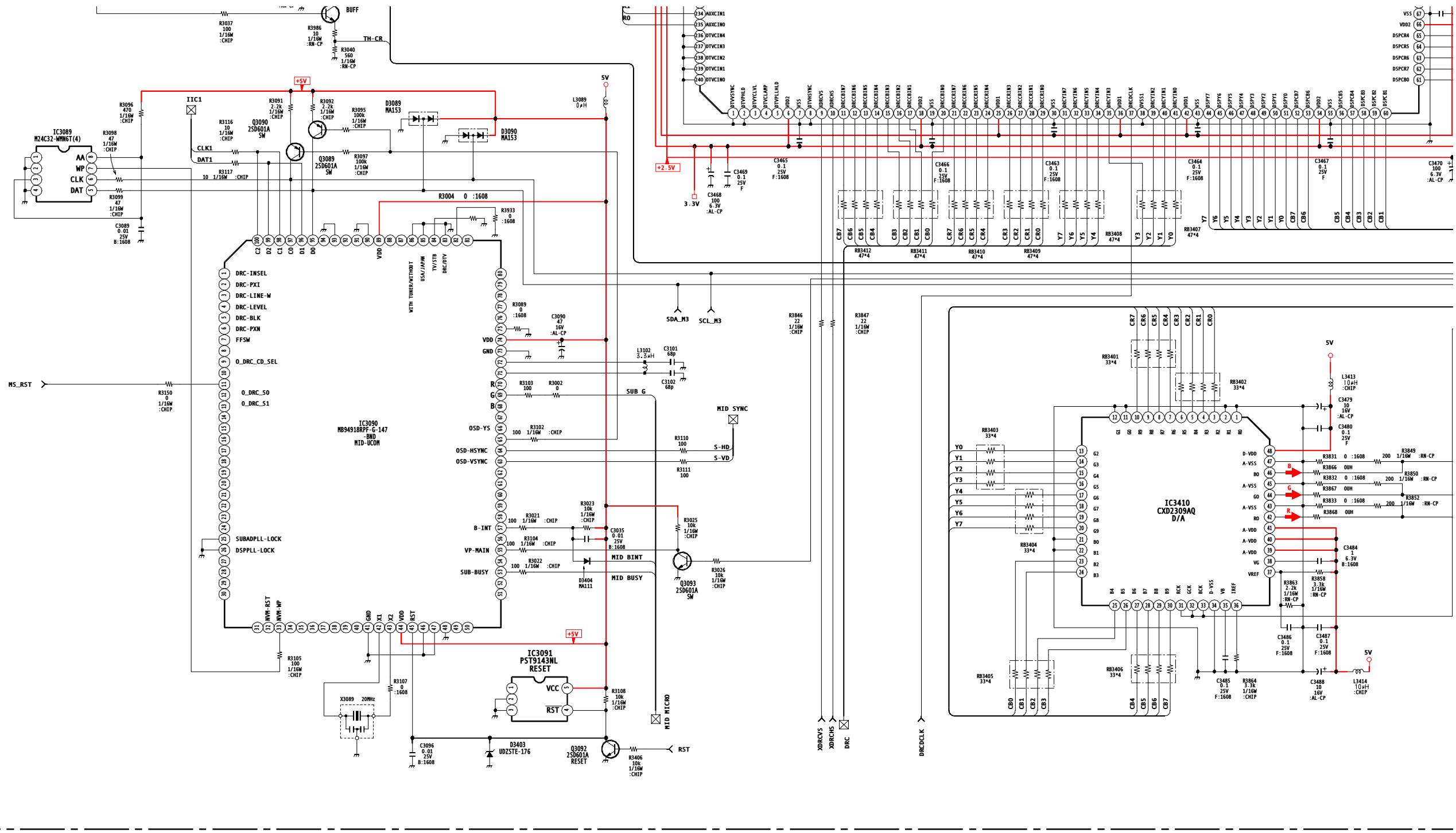
# B BOARD SCHEMATIC DIAGRAM (2 OF 6)

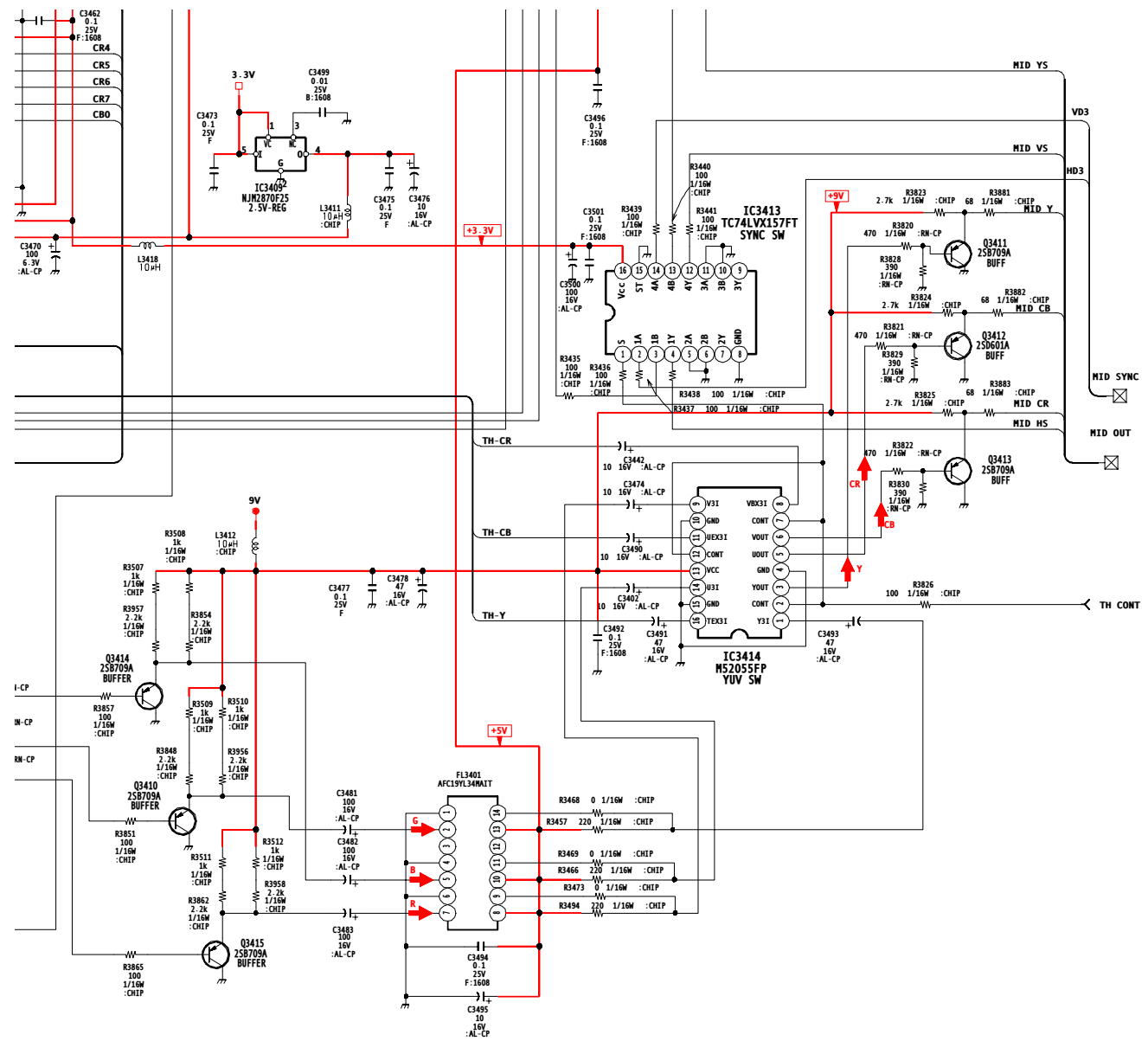






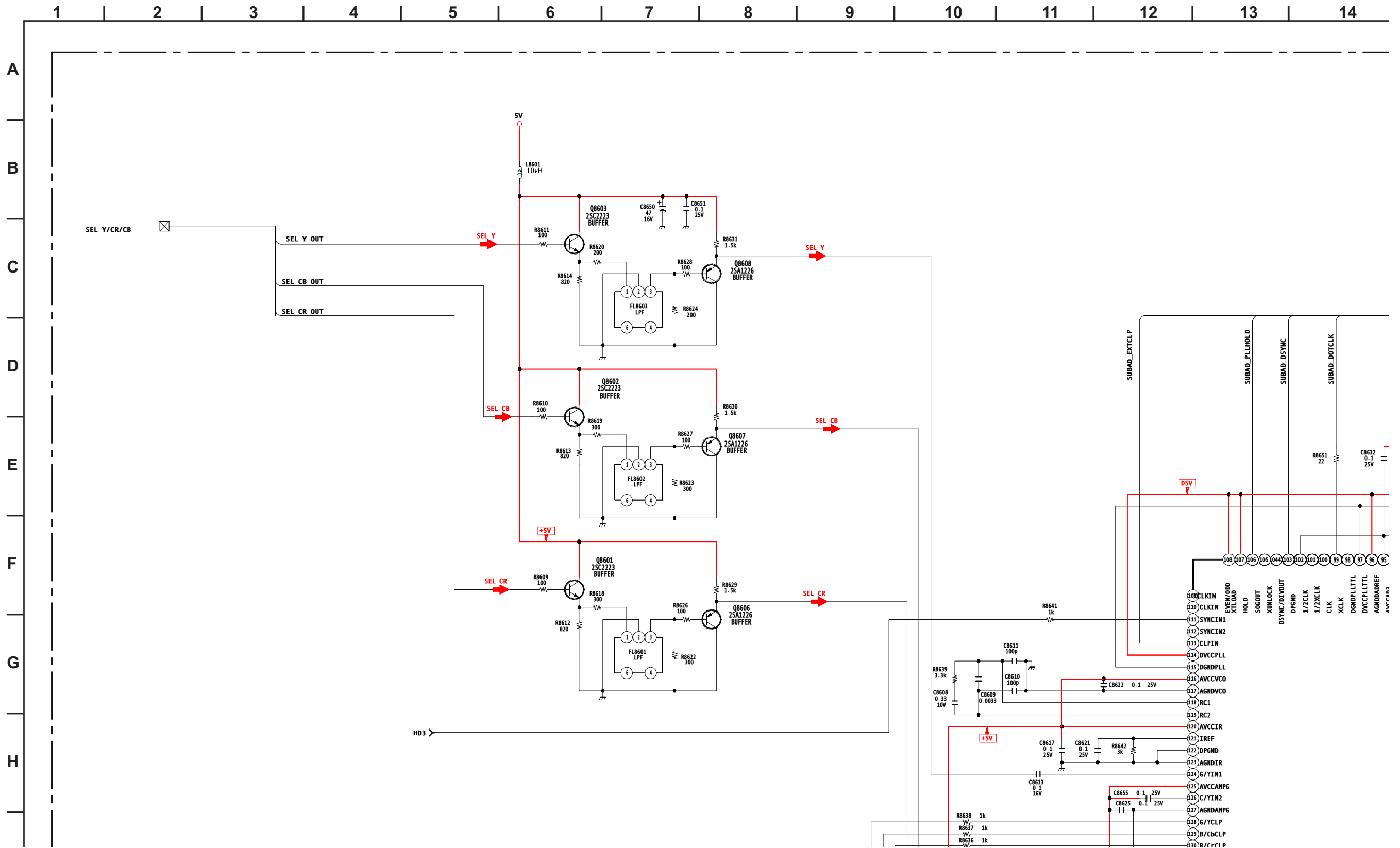
I  
J  
K  
L  
M  
N  
O  
P



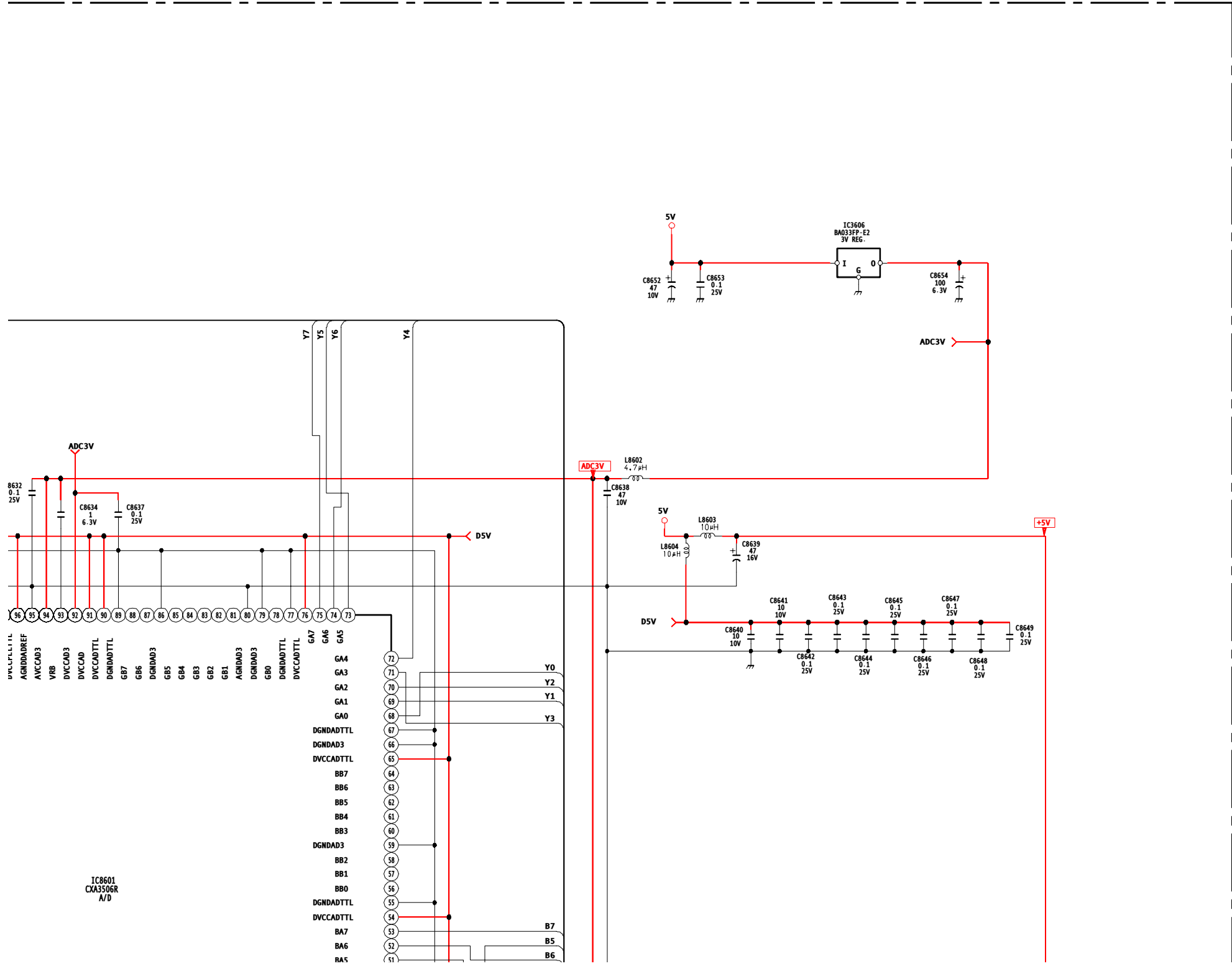


**B (2/6)**  
**MID-XA**

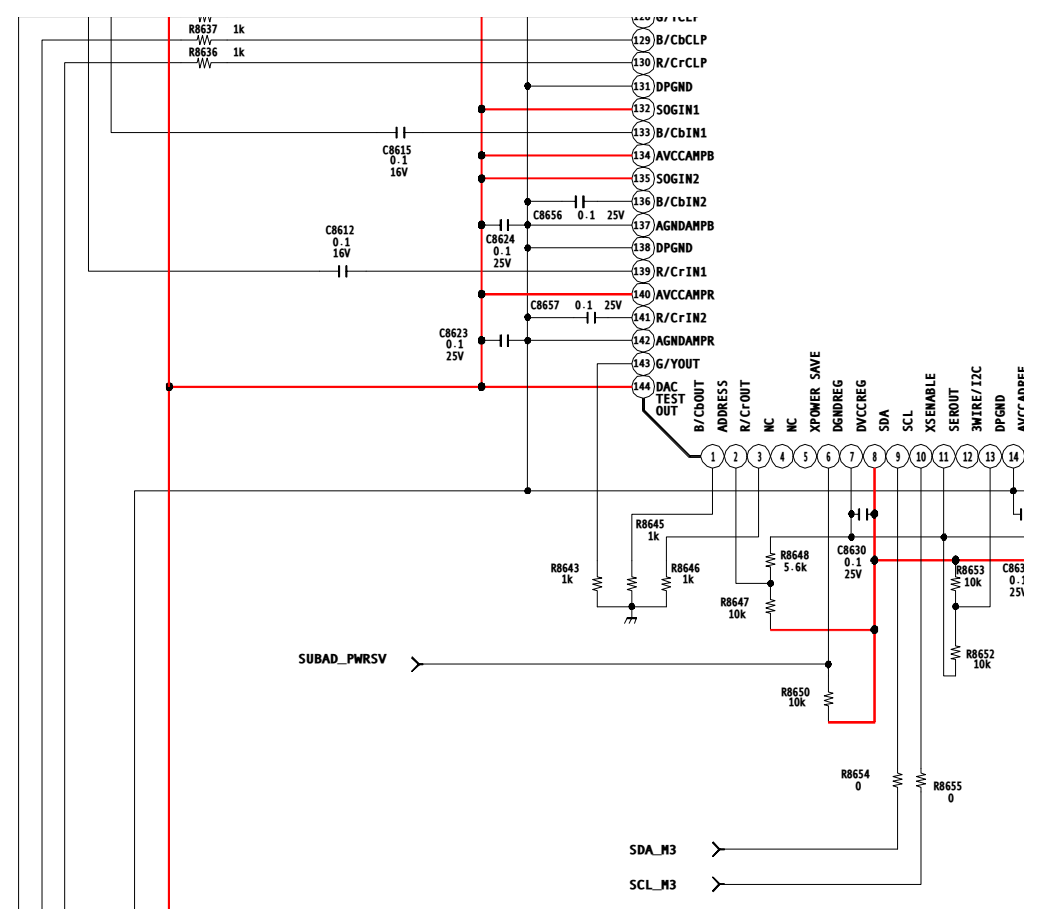
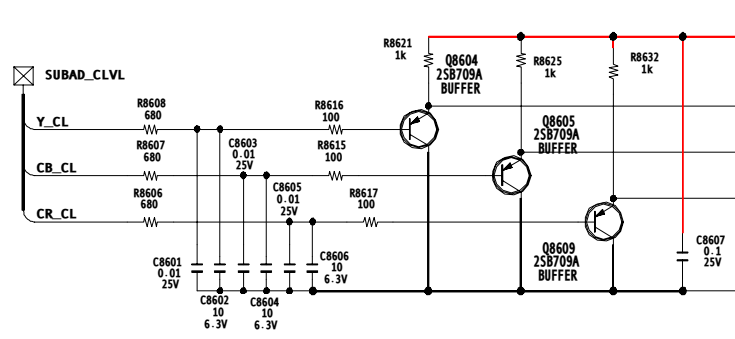
# B BOARD SCHEMATIC DIAGRAM (3 OF 6)



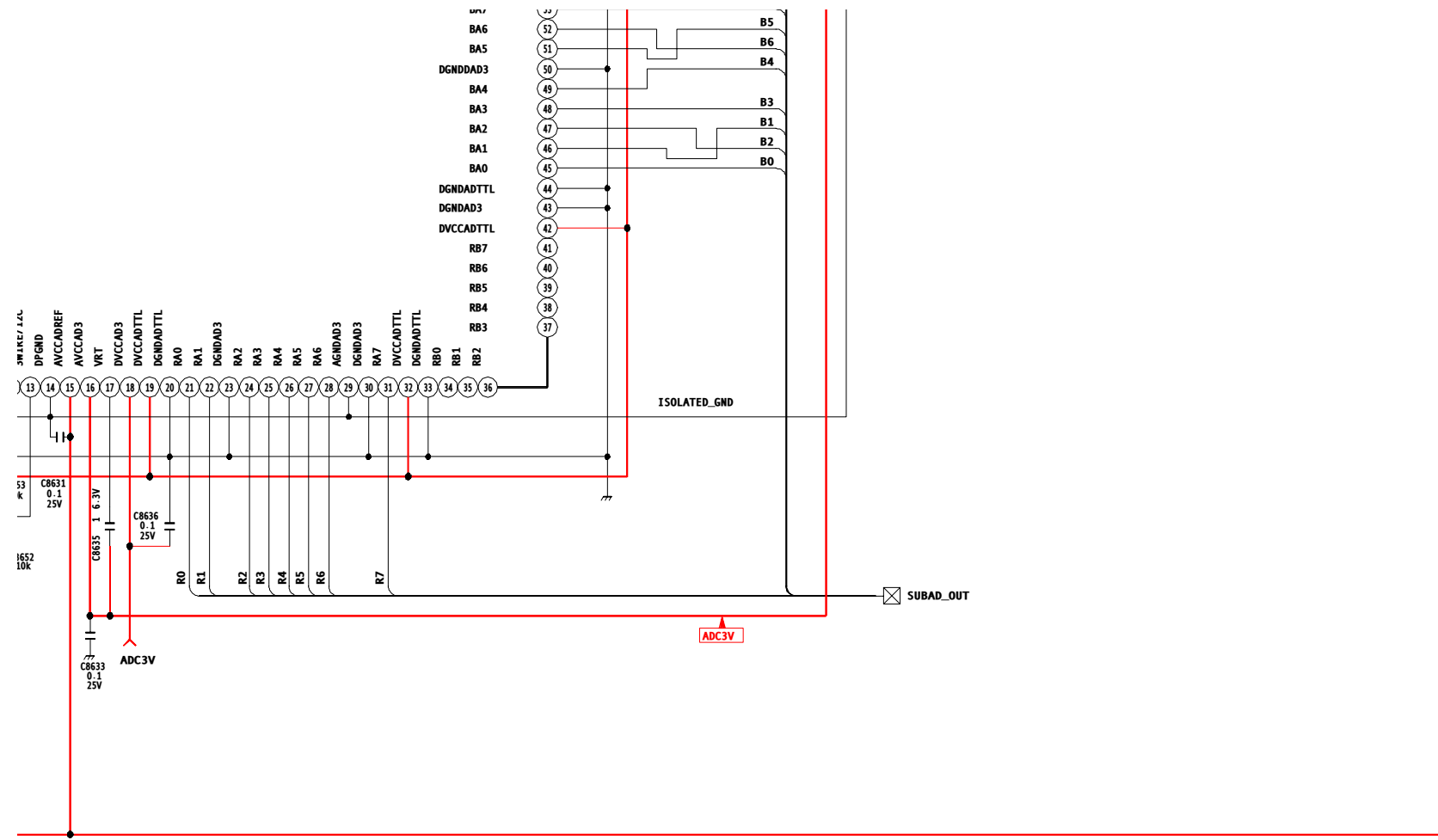
15 | 16 | 17 | 18 | 19 | 20 | 21 | 22 | 23 | 24 | 25



I  
J  
K  
L  
M  
N  
O  
P



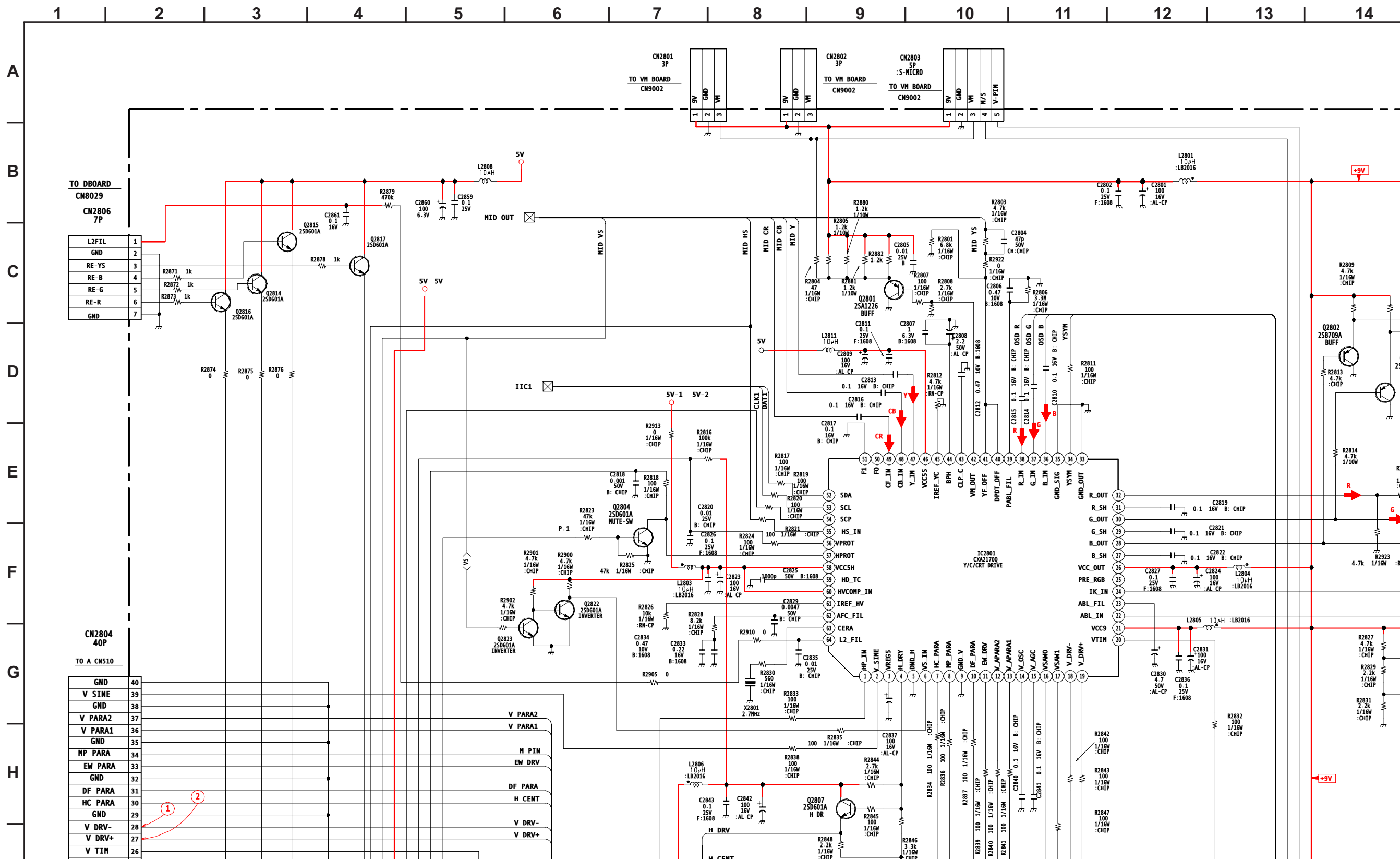


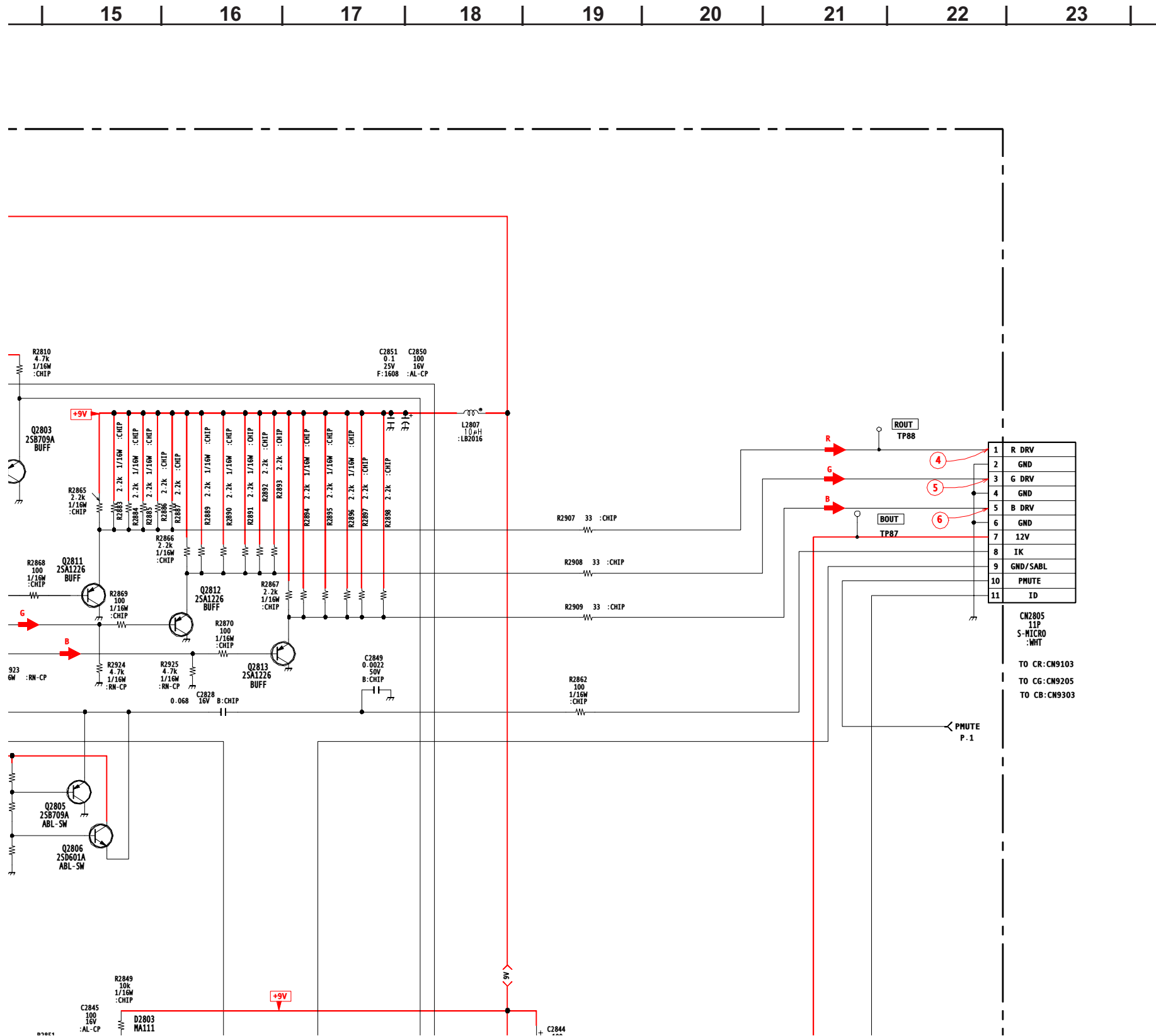


# B (3/6)

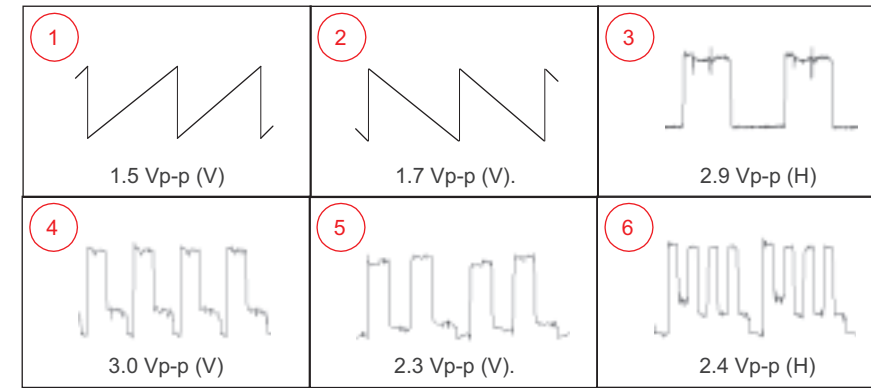
## HD-ADC

# B BOARD SCHEMATIC DIAGRAM (4 OF 6)





**B BOARD WAVEFORMS**

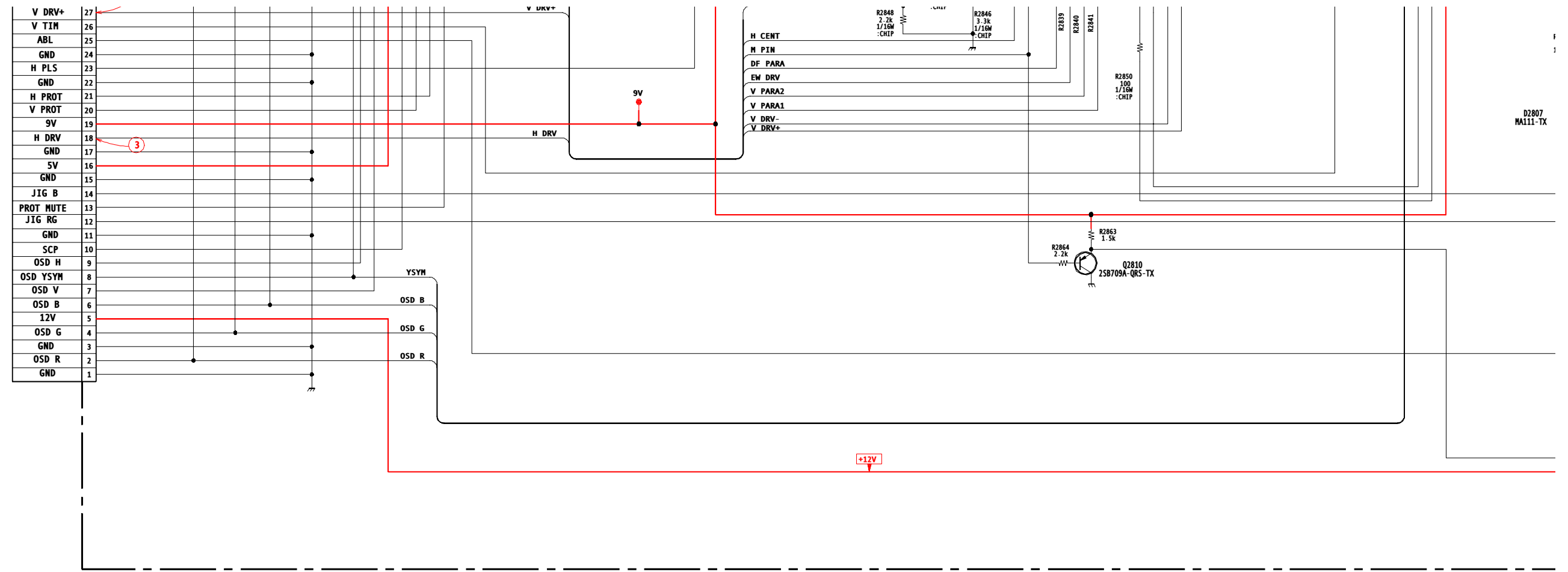


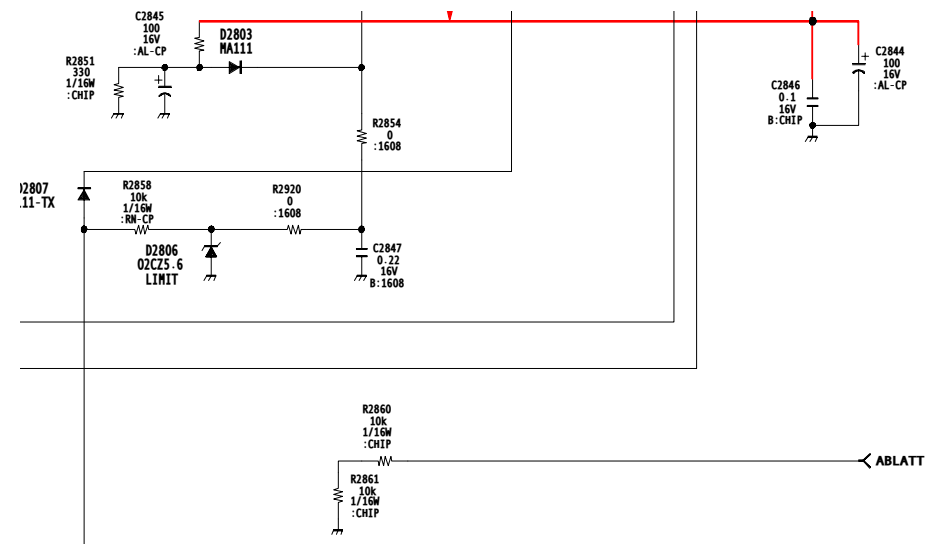
1	R DRV
2	GND
3	G DRV
4	GND
5	B DRV
6	GND
7	12V
8	IK
9	GND/SABL
10	PMUTE
11	ID

CN2805  
11P  
S-MICRO  
:MHT  
TO CR: CN9103  
TO CG: CN9205  
TO CB: CN9303

PMUTE  
P.1

I  
J  
K  
L  
M  
N

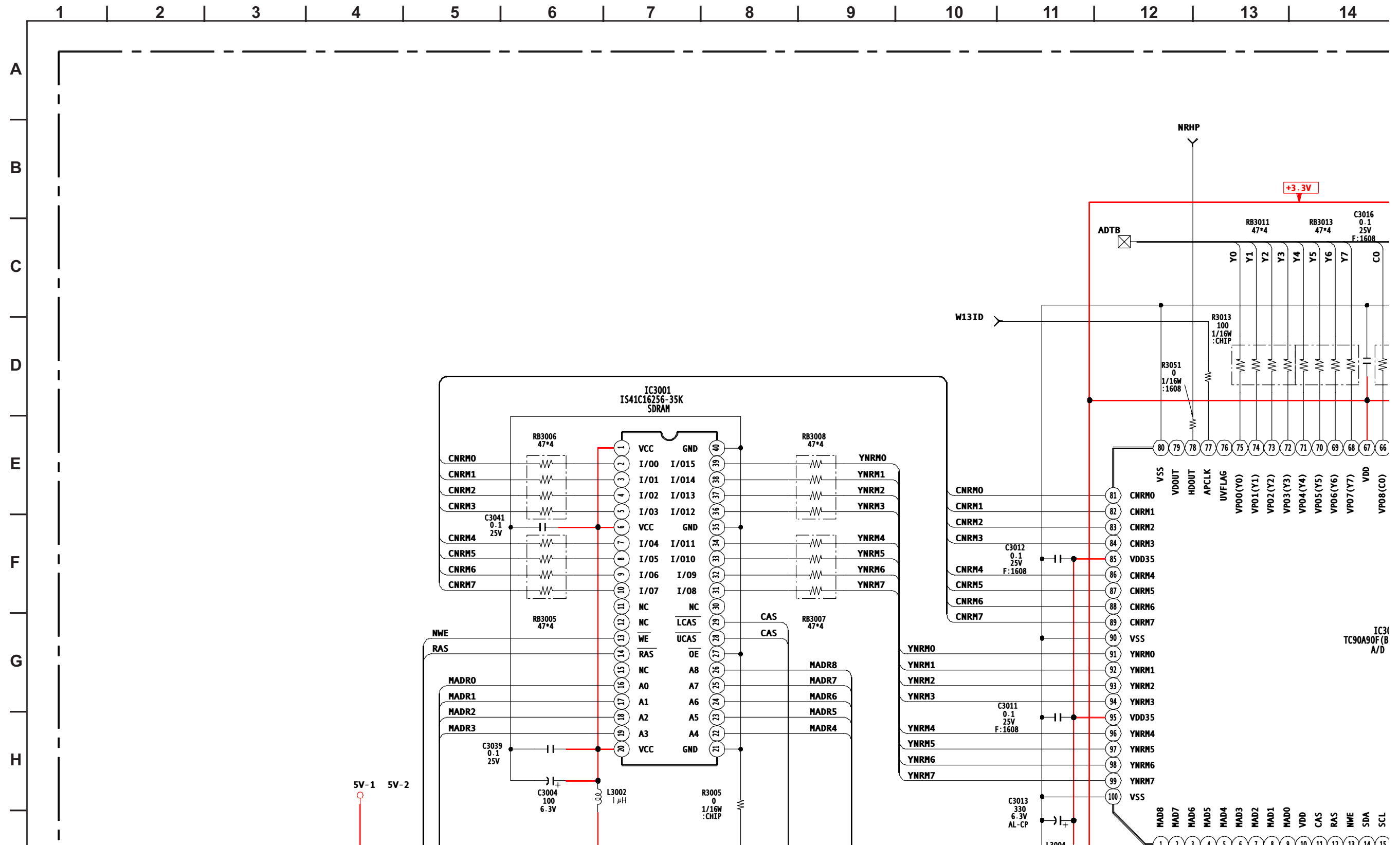


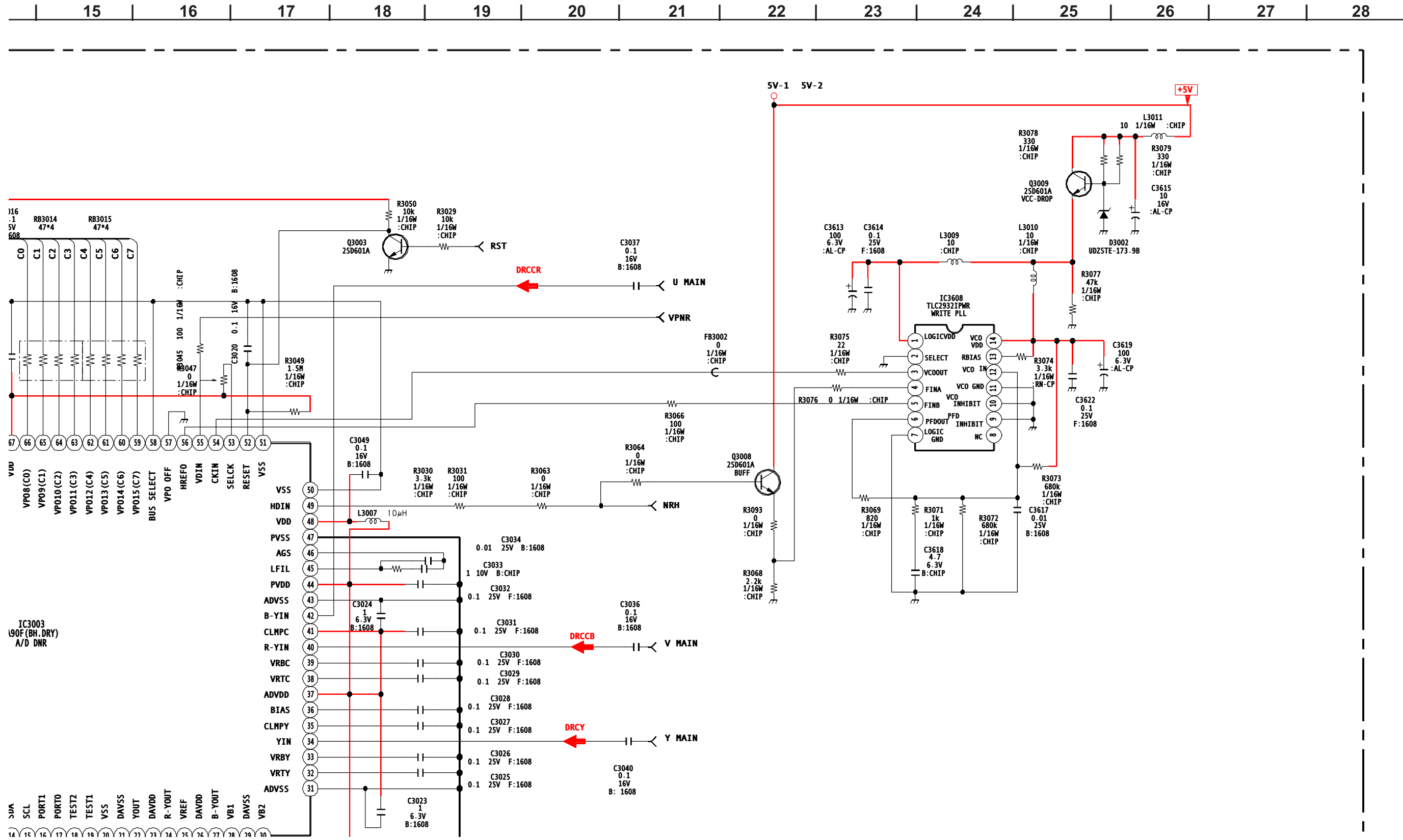


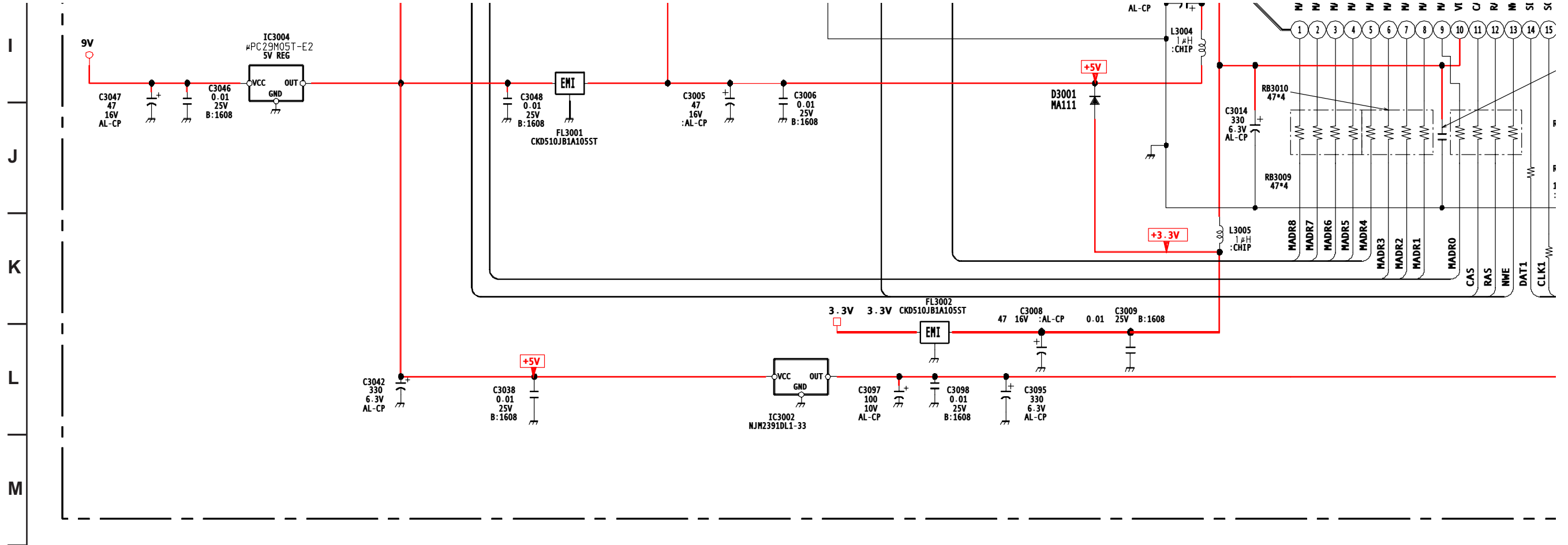
**B (4/6)**  
**CRT DRIVE**

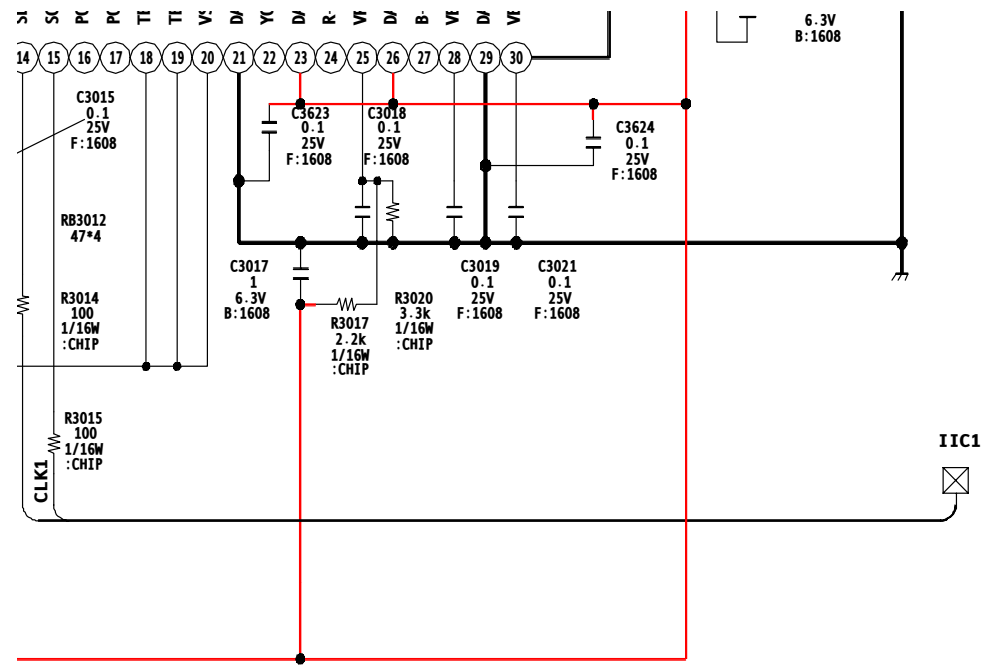


B BOARD SCHEMATIC DIAGRAM (5 OF 6)



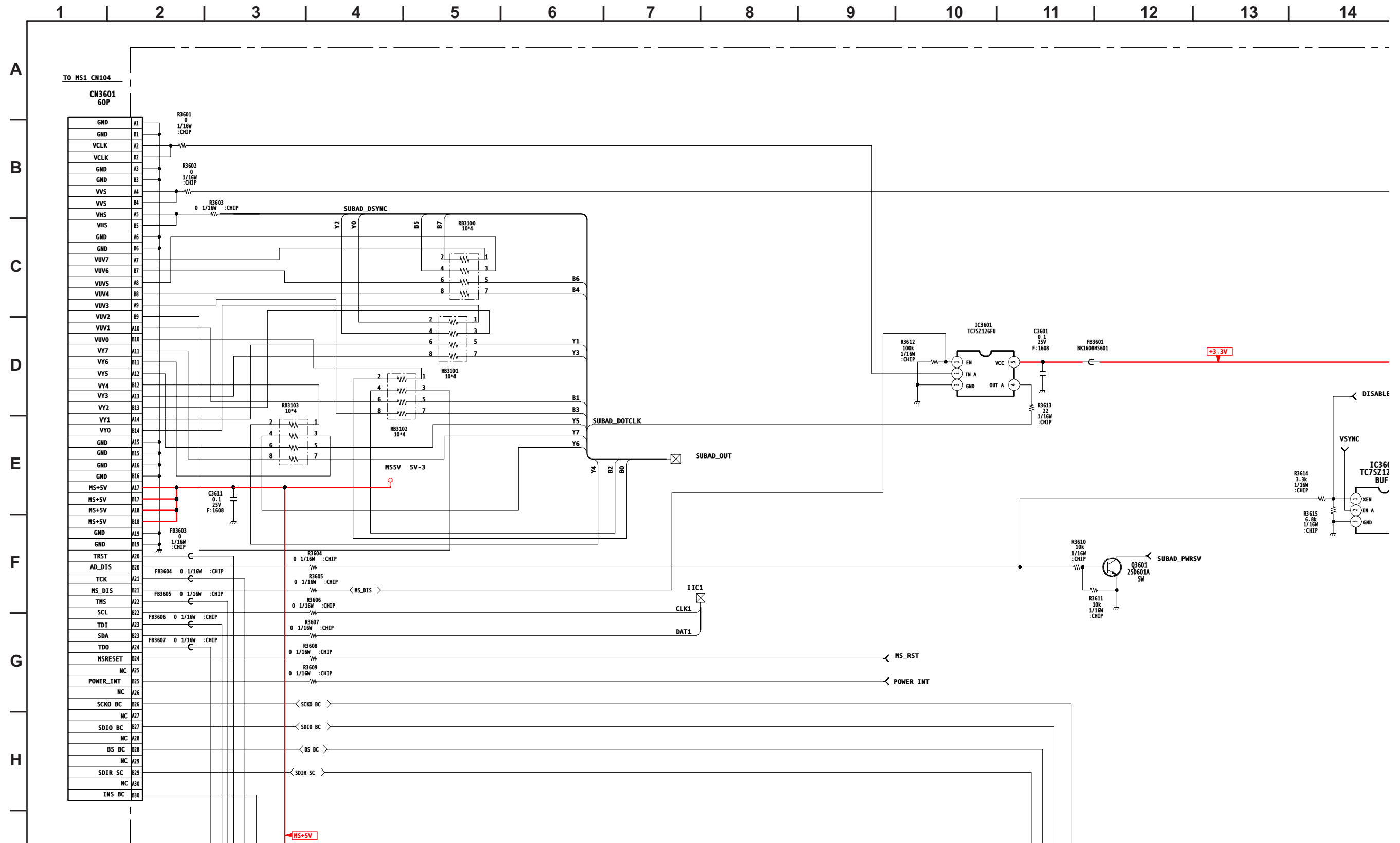




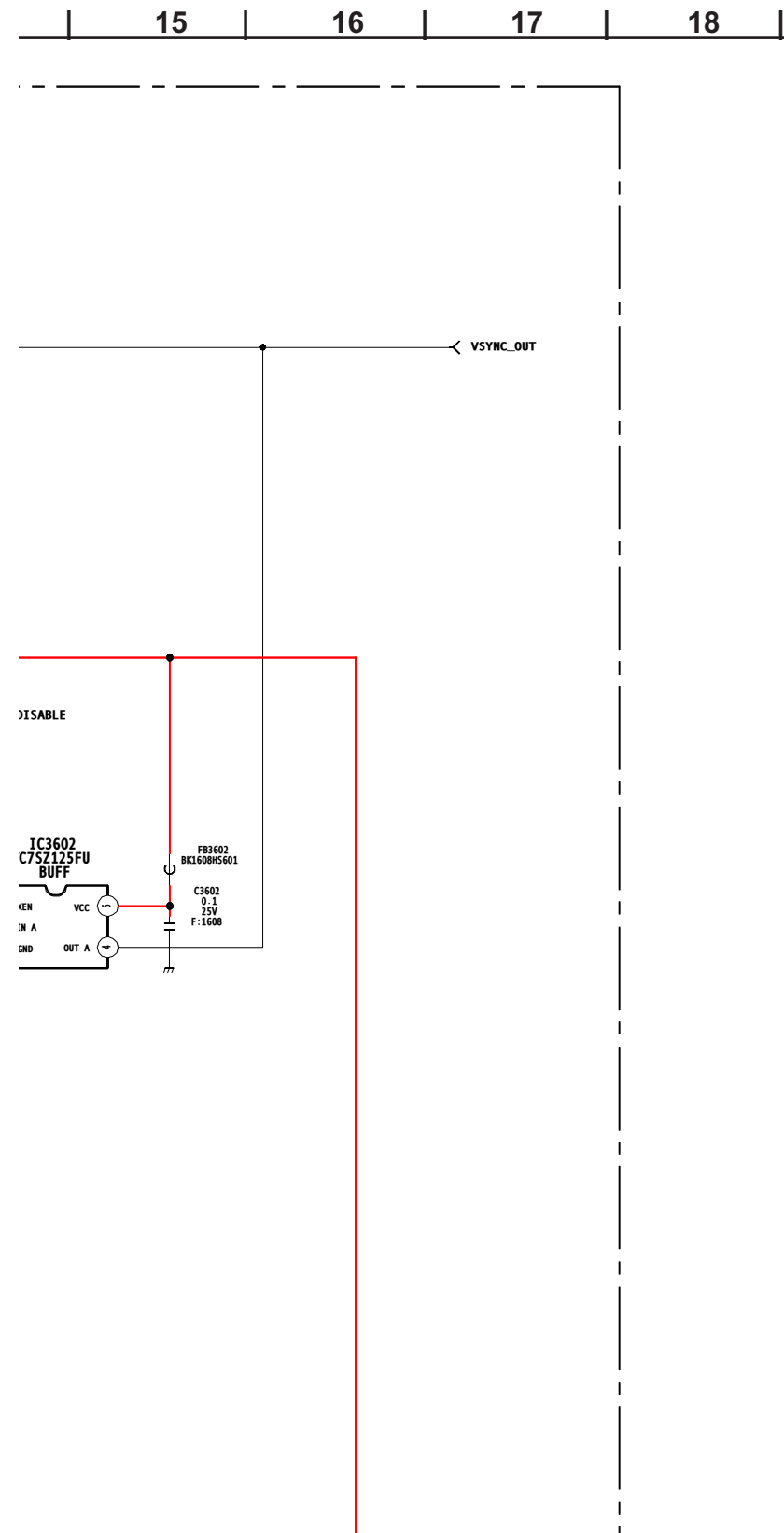


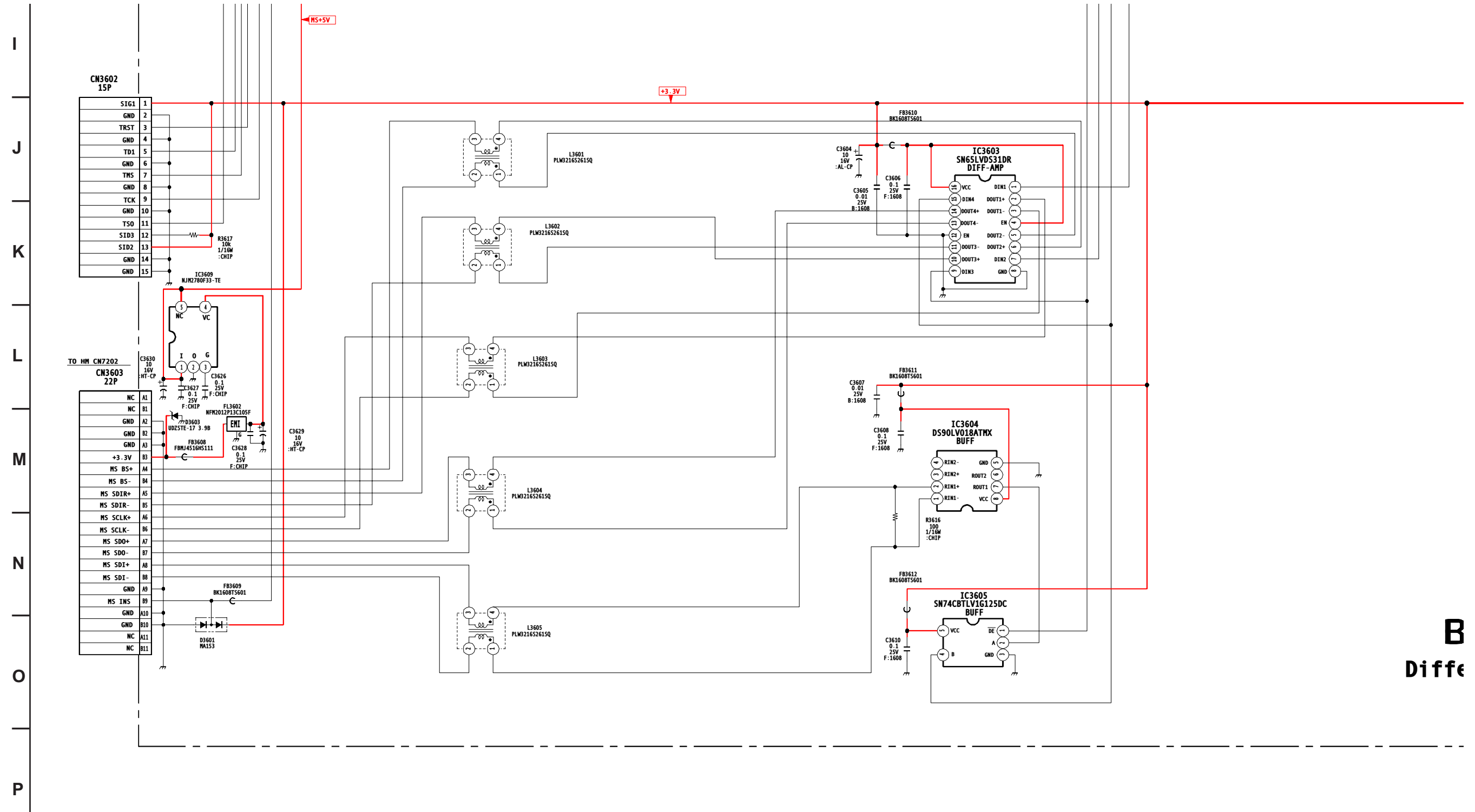
**B (5/6)**  
**A/D (DNR)**

# B BOARD SCHEMATIC DIAGRAM (6 OF 6)









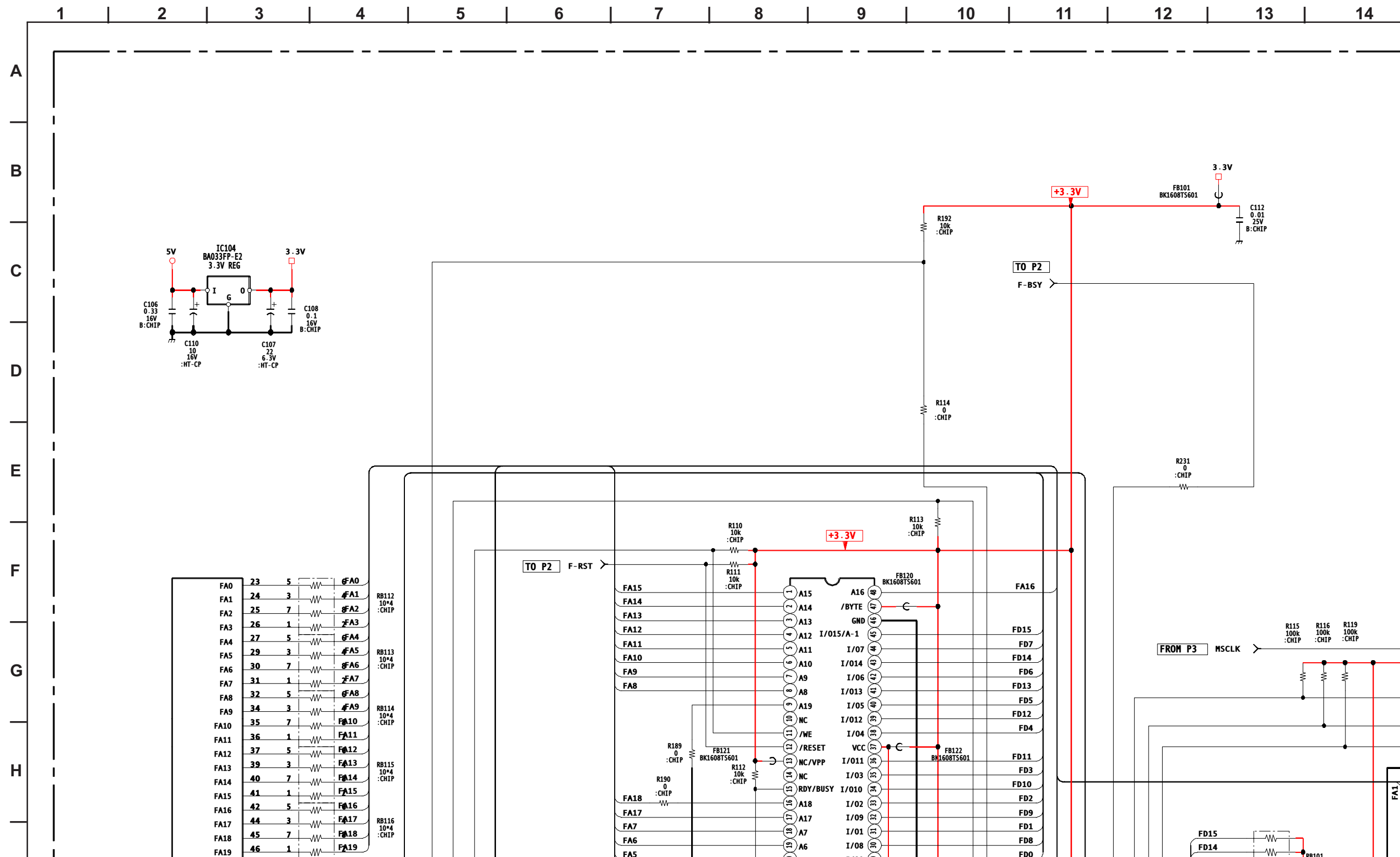
**B**  
Diffe



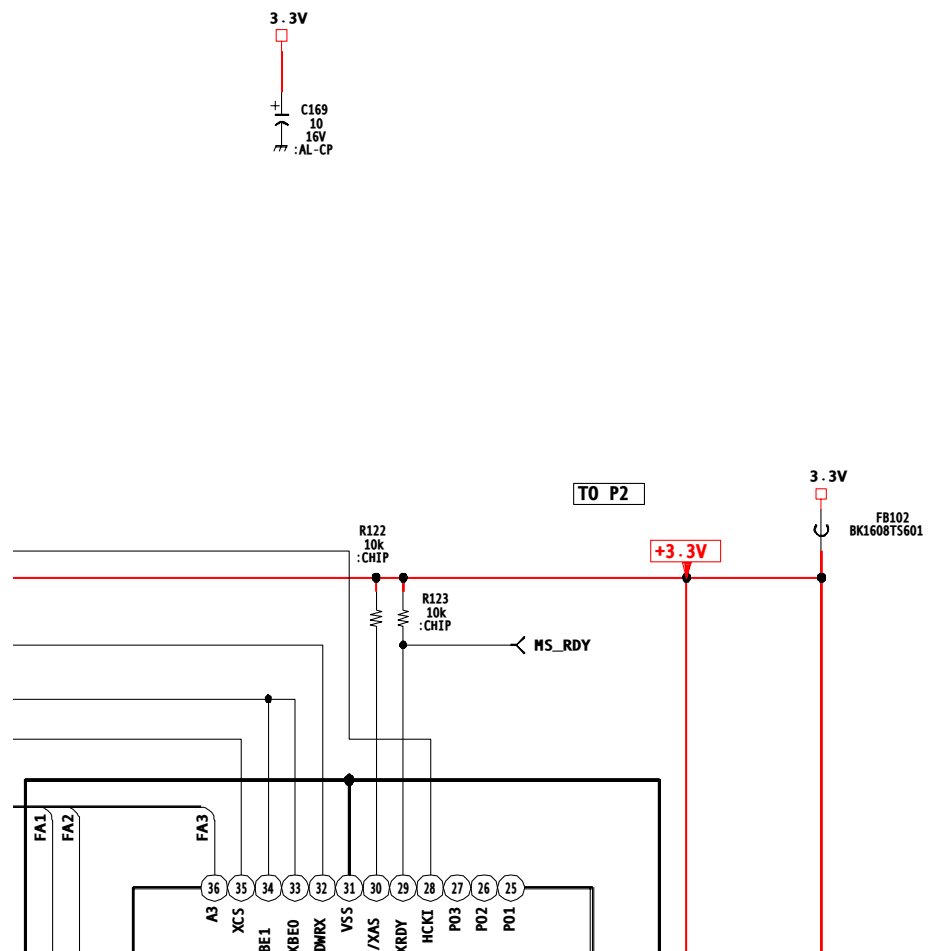
**B (6/6)**  
**Differential Input**

**MS1 BOARD SCHEMATIC DIAGRAM (1 OF 3)**

The MS1 board is not field repairable. If service is required, use the following part number to order a complete replacement board.  
 A-1300-408-A MS1 Board, Complete

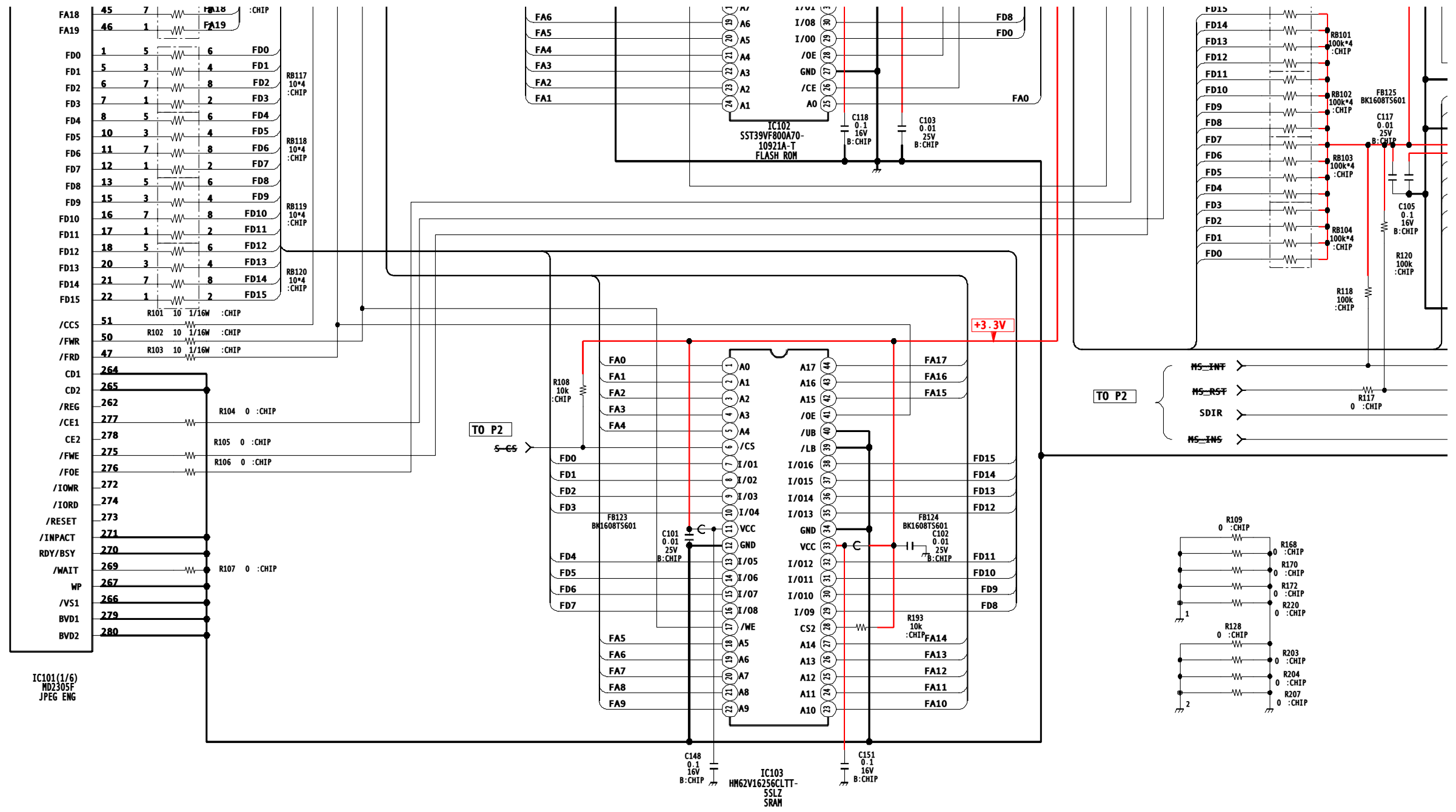


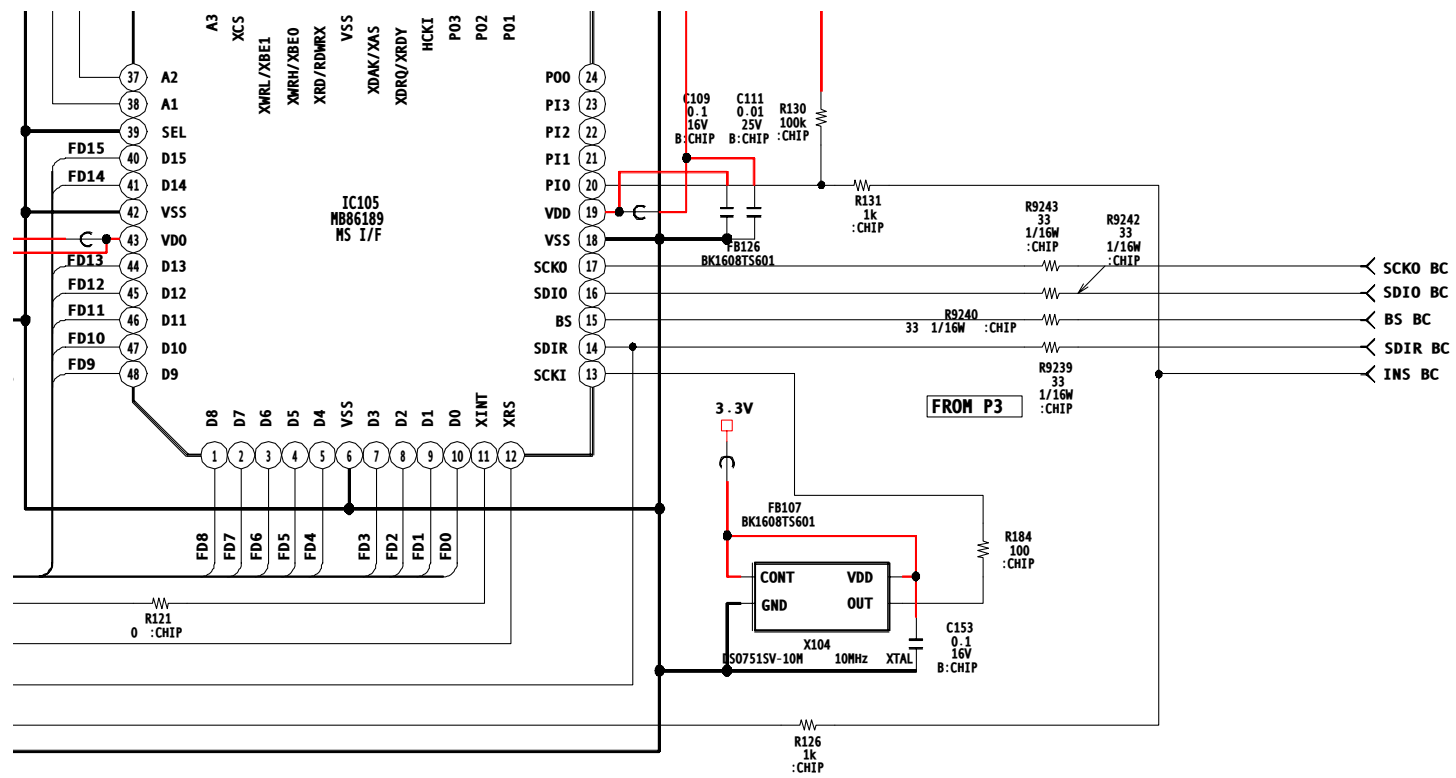
15 | 16 | 17 | 18 | 19 | 20 | 21 | 22 | 23





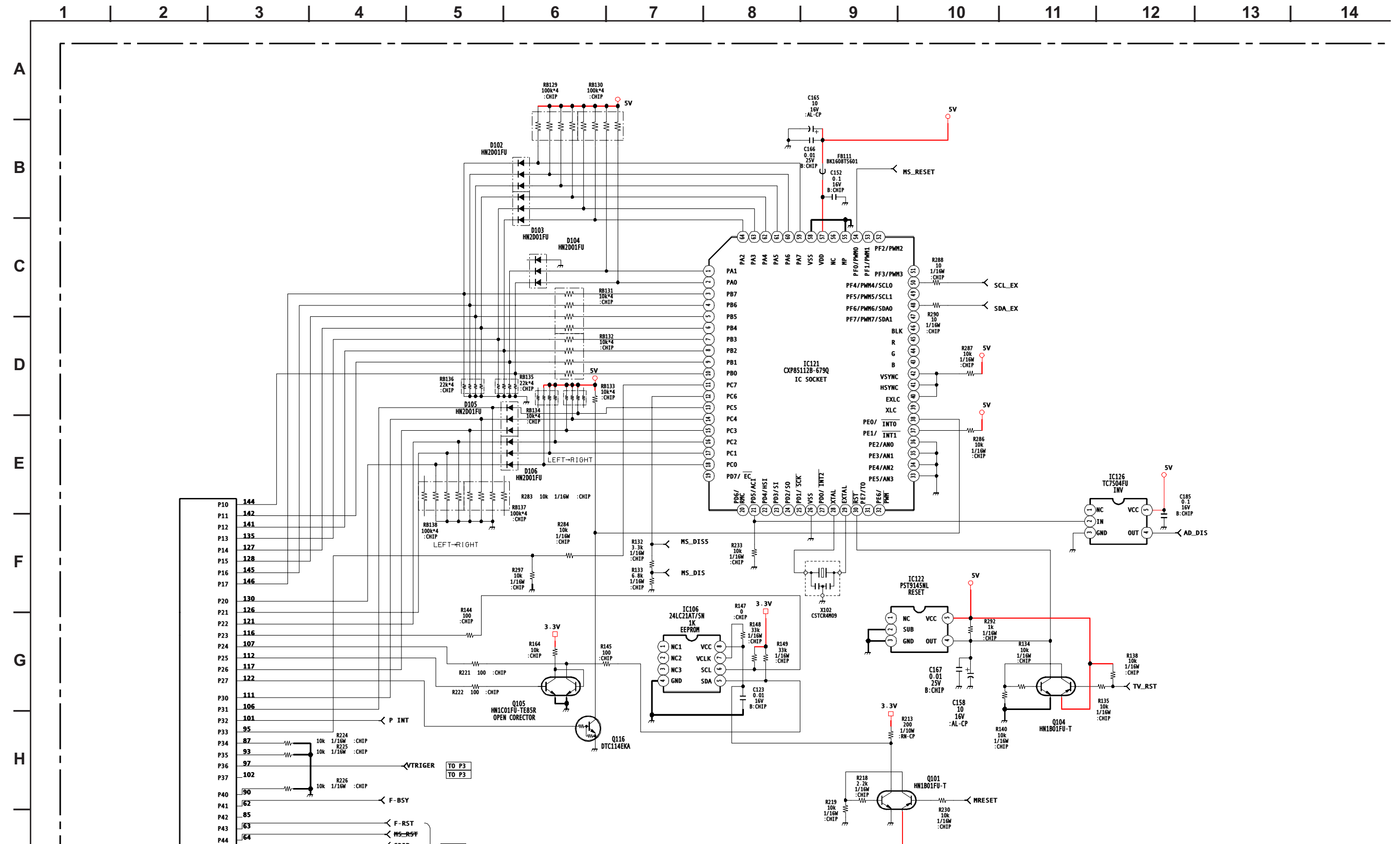
I  
J  
K  
L  
M  
N  
O  
P

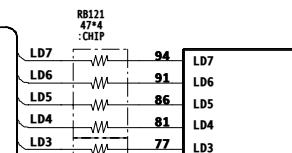
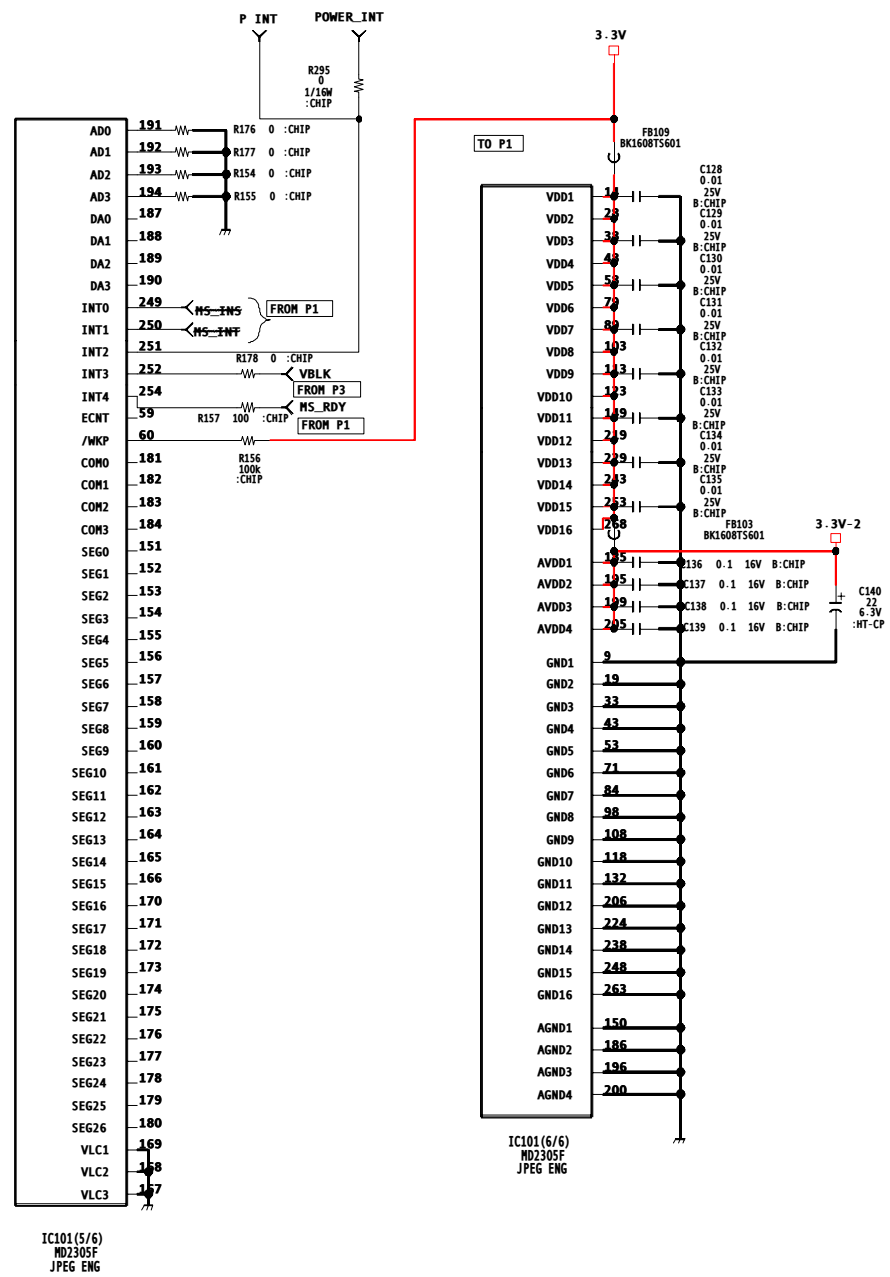




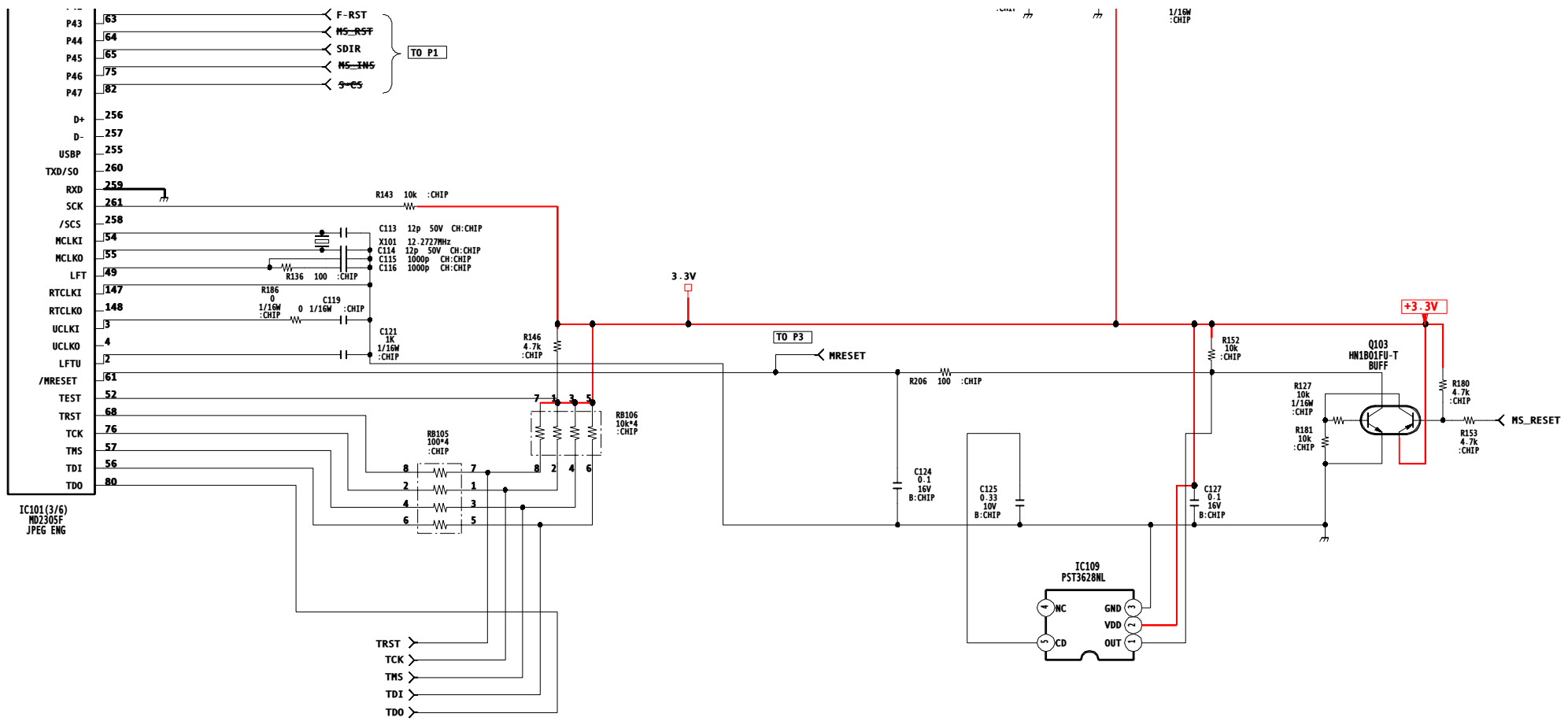
# MS1 1/3 MEMORY STICK DECODER BOARD

# MS1 BOARD SCHEMATIC DIAGRAM (2 OF 3)

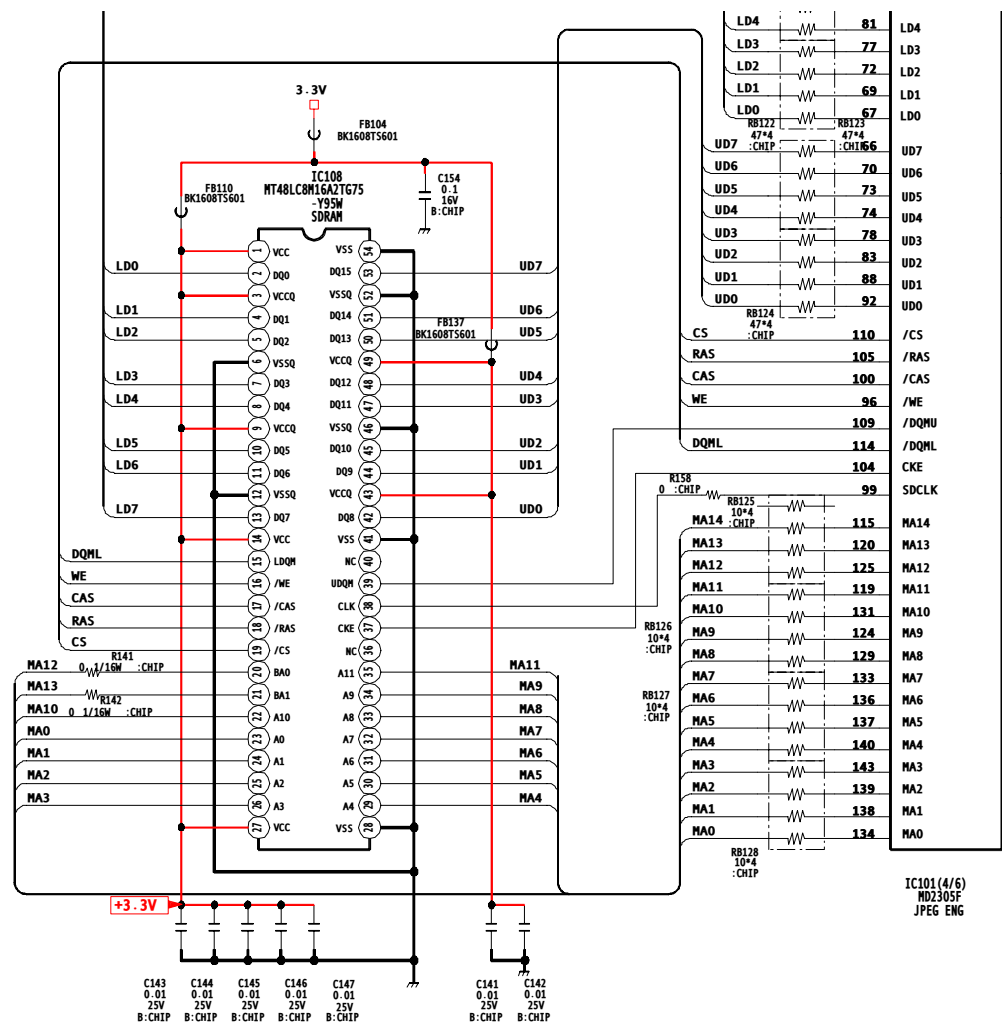




I  
J  
K  
L  
M  
N  
O  
P

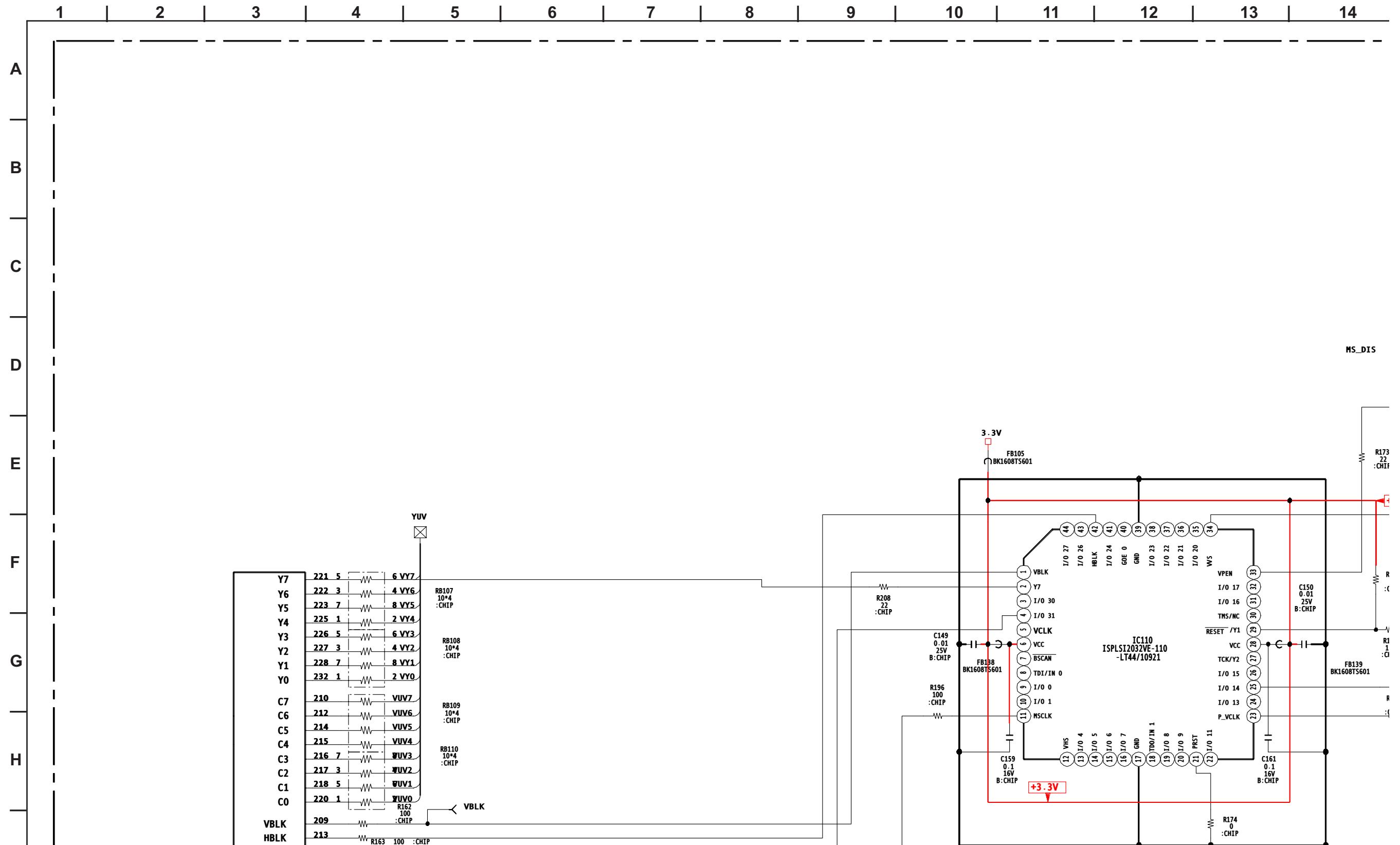


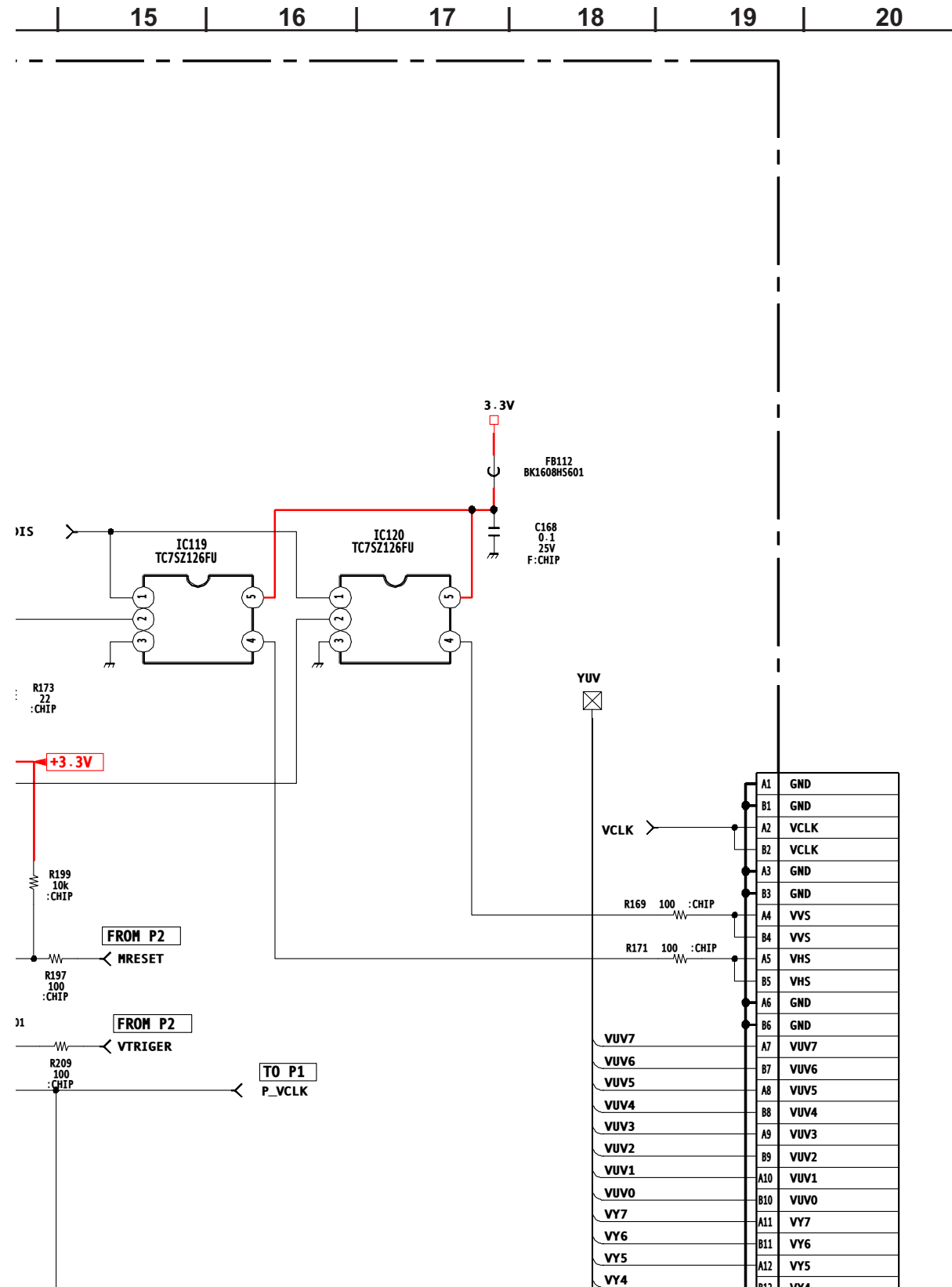




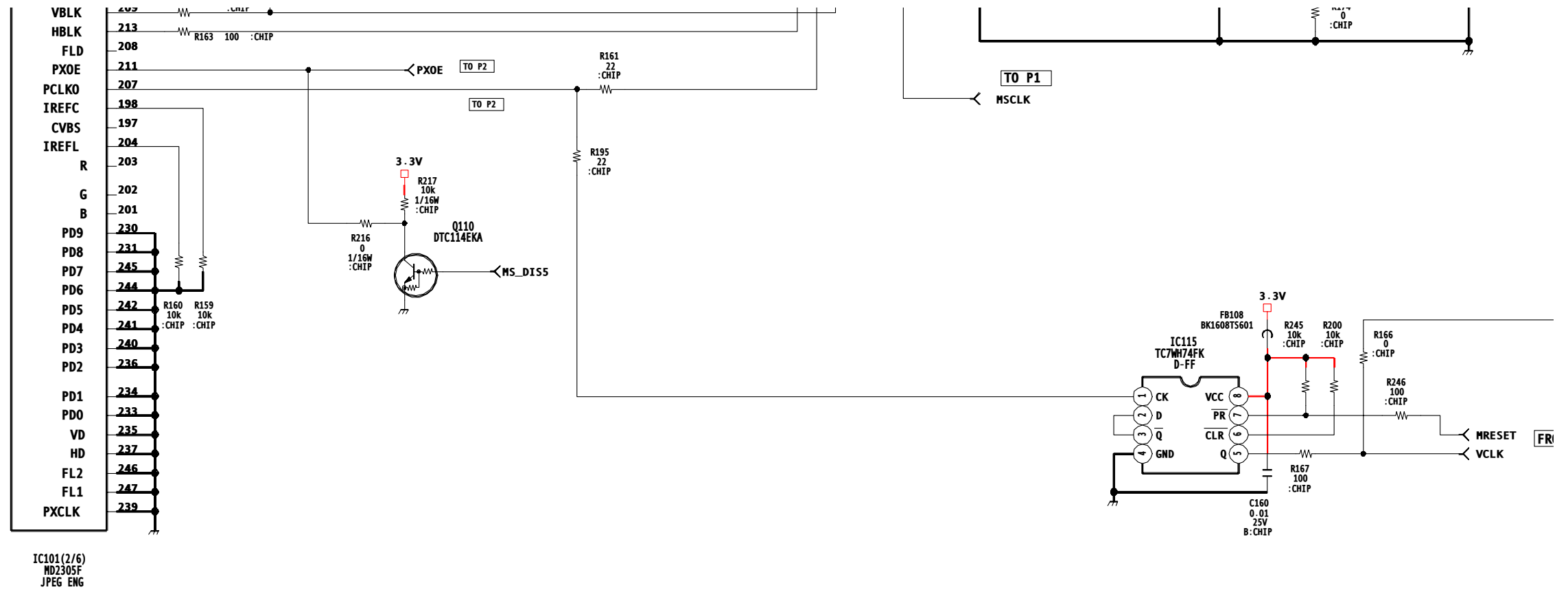
# MS1 2/3 JPEG ENG

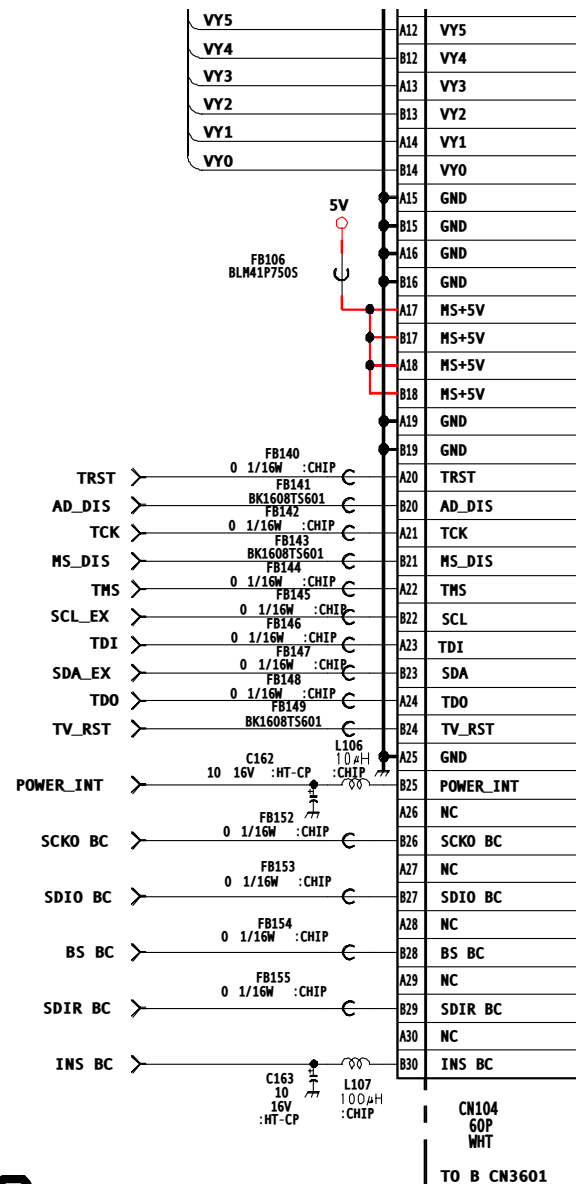
MS1 BOARD SCHEMATIC DIAGRAM (3 OF 3)





I  
J  
K  
L  
M  
N  
O  
P





CN104  
60P  
WHT  
TO B CN3601

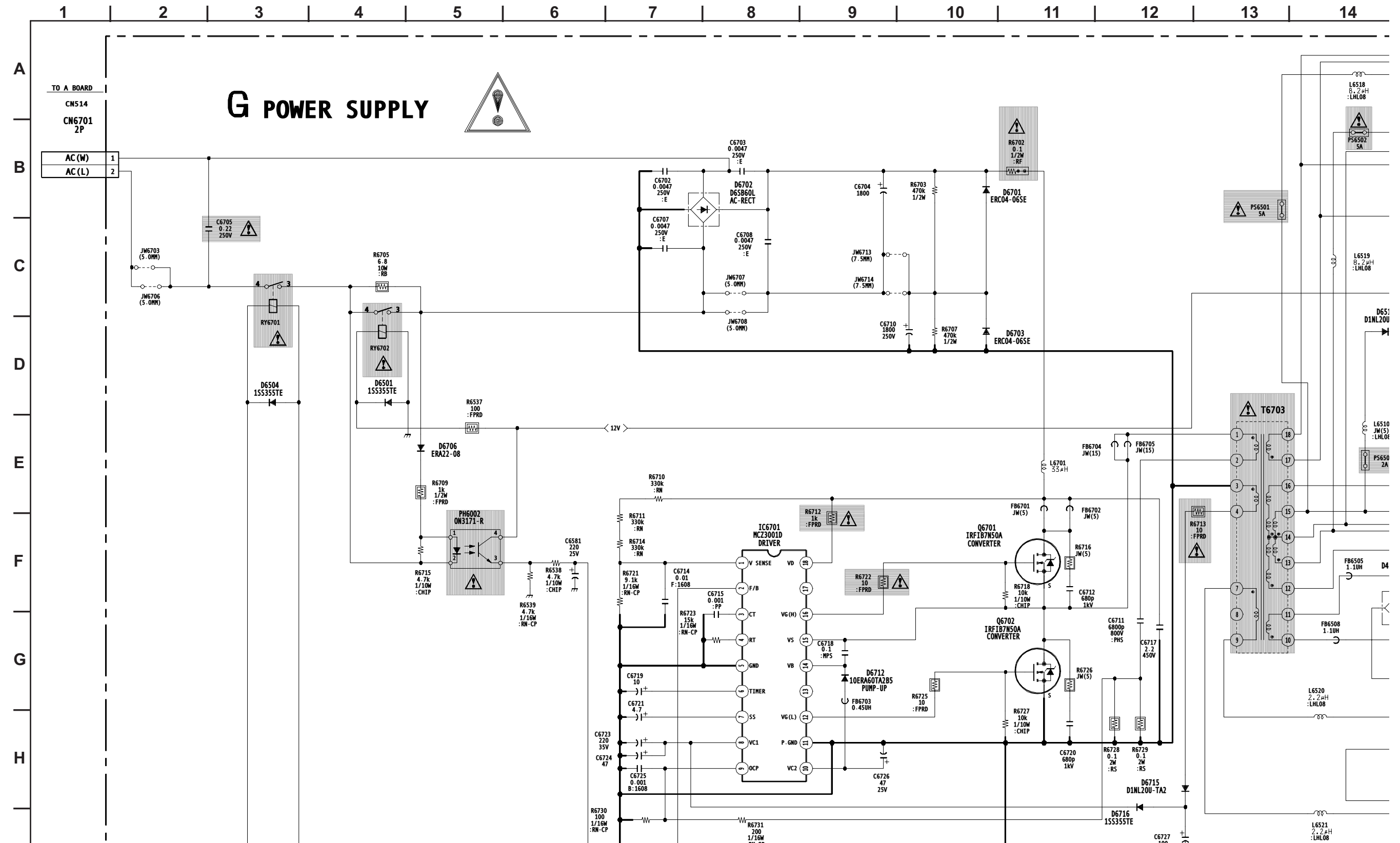
# MS1 3/3

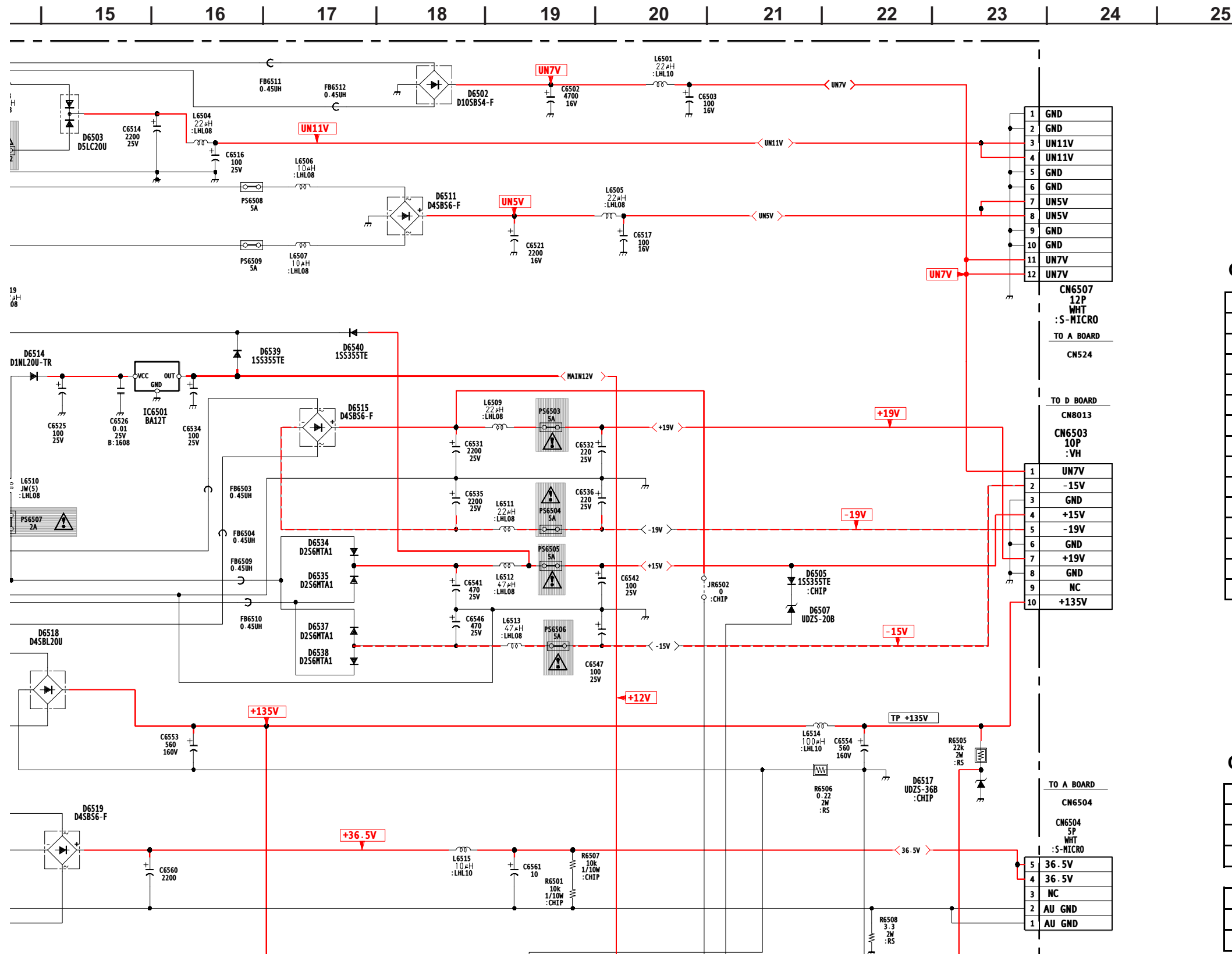
## MEMORY STICK MIRC0

FROM P2



# G BOARD SCHEMATIC DIAGRAM





### G BOARD IC VOLTAGE LIST

IC6501		IC6503			
PIN	VOLT	PIN	VOLT		
VCC	15.0	1	133.7	5	GND
O	12.0	2	N/C	6	0.0
G	GND	3	2.5	7	4.6
IC6502		4	15.9	8	20.1
1	-0.2	IC6504		10	10.5
2	0.1	PIN	VOLT	11	GND
3	0.1	1	2.3	12	4.9
4	-0.2	2	0.0	13	N/C
5	2.1	3	2.3	14	155.6
6	2.3	IC6701		15	145.6
7	-0.2	PIN	VOLT	16	150.6
8	5.0	1	2.8	17	N/C
		2	1.9	18	304.5

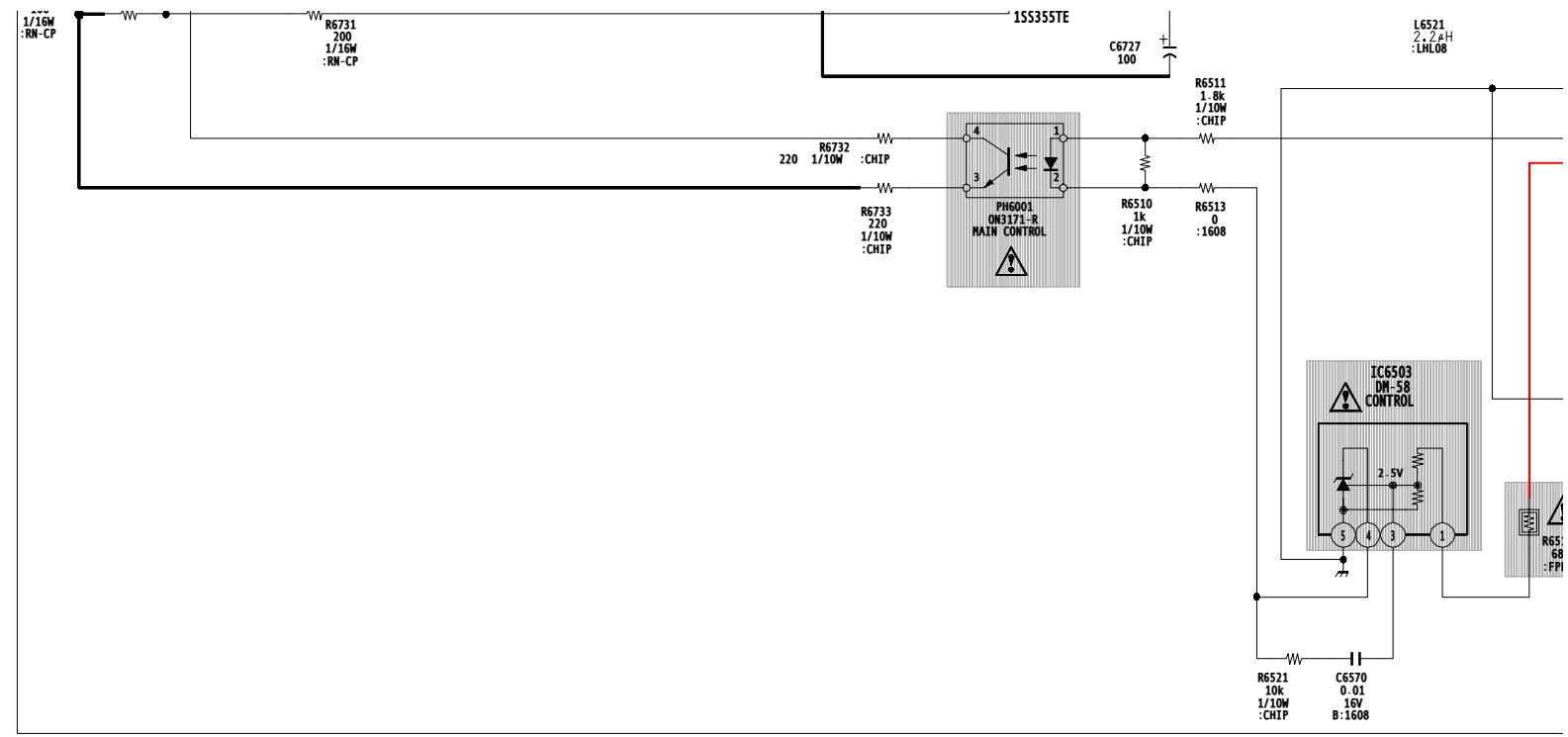
All voltages are in V.

### G BOARD TRANSISTOR VOLTAGE LIST

	B	C	E
Q6502	2.2	0	2.2
Q6503	0.7	0.0	GND
Q6504	0.0	2.2	GND

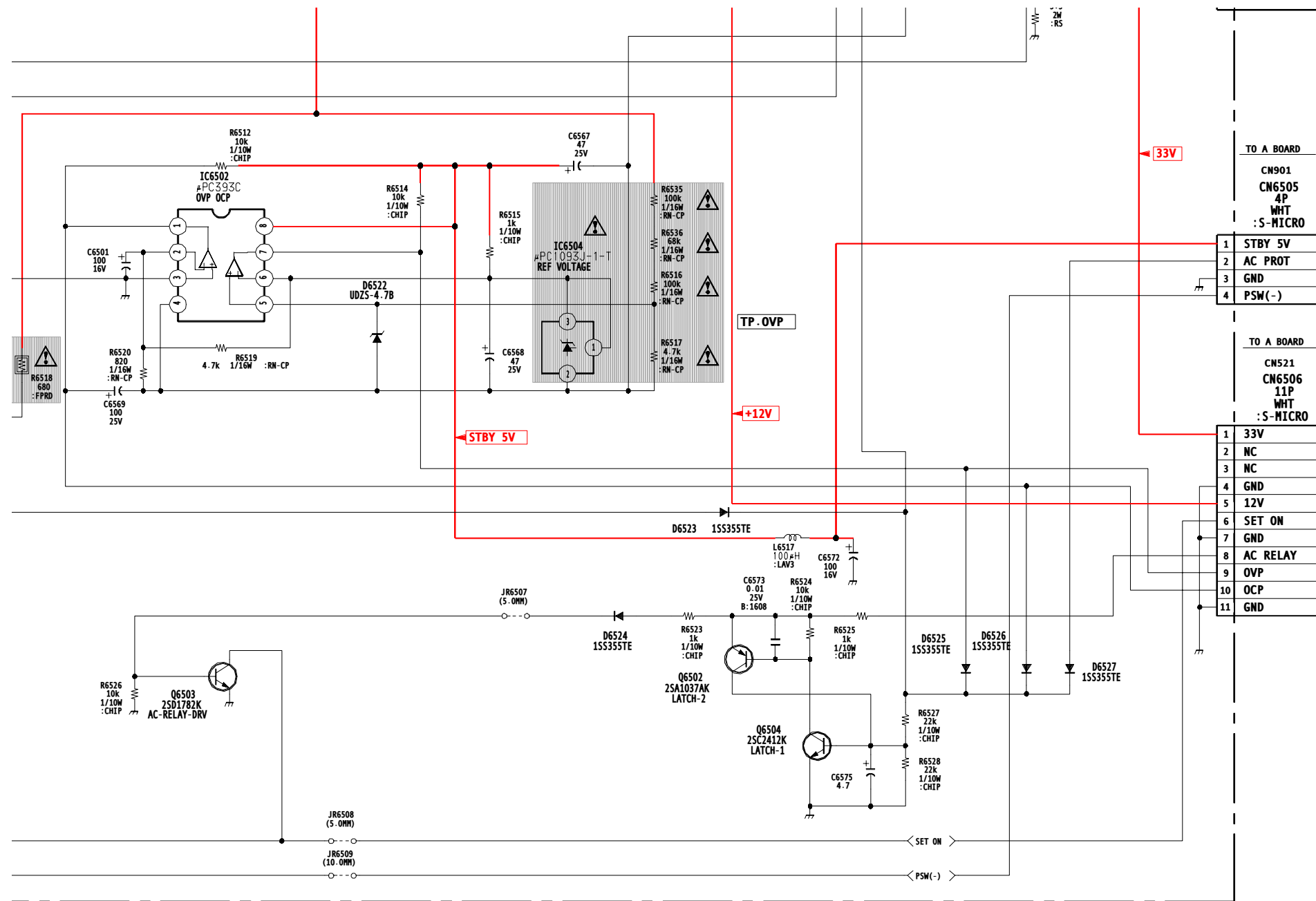
	D	G	S
Q6701	152.0	3.9	-1.5
Q6702	-1.3	-147.5	-152.2

I  
J  
K  
L  
M  
N  
O  
P



Q6702	-1.3	-147.5	-152.2
-------	------	--------	--------

All voltages are in V.



TO A BOARD

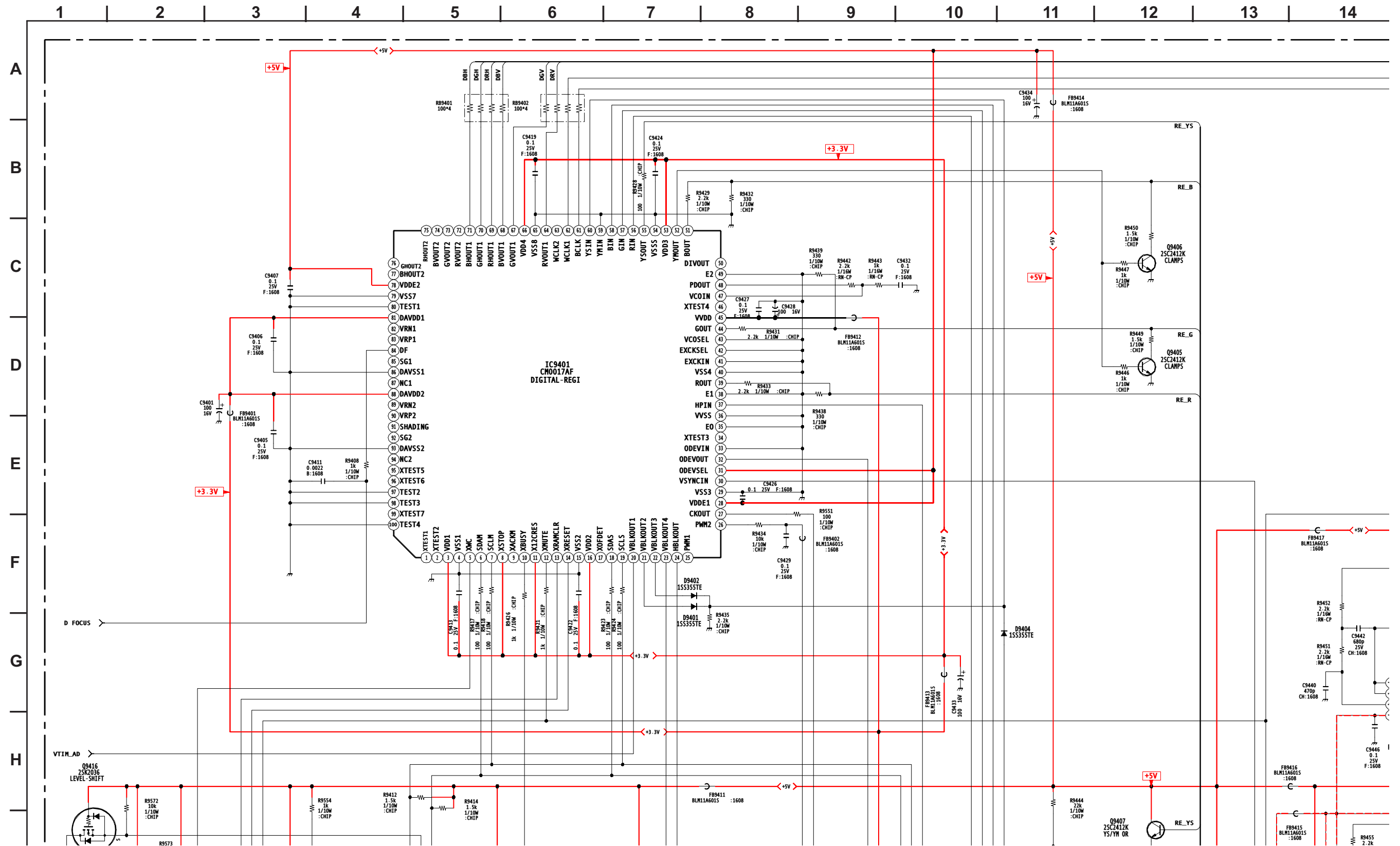
CN901	
1	STBY 5V
2	AC PROT
3	GND
4	PSW(-)

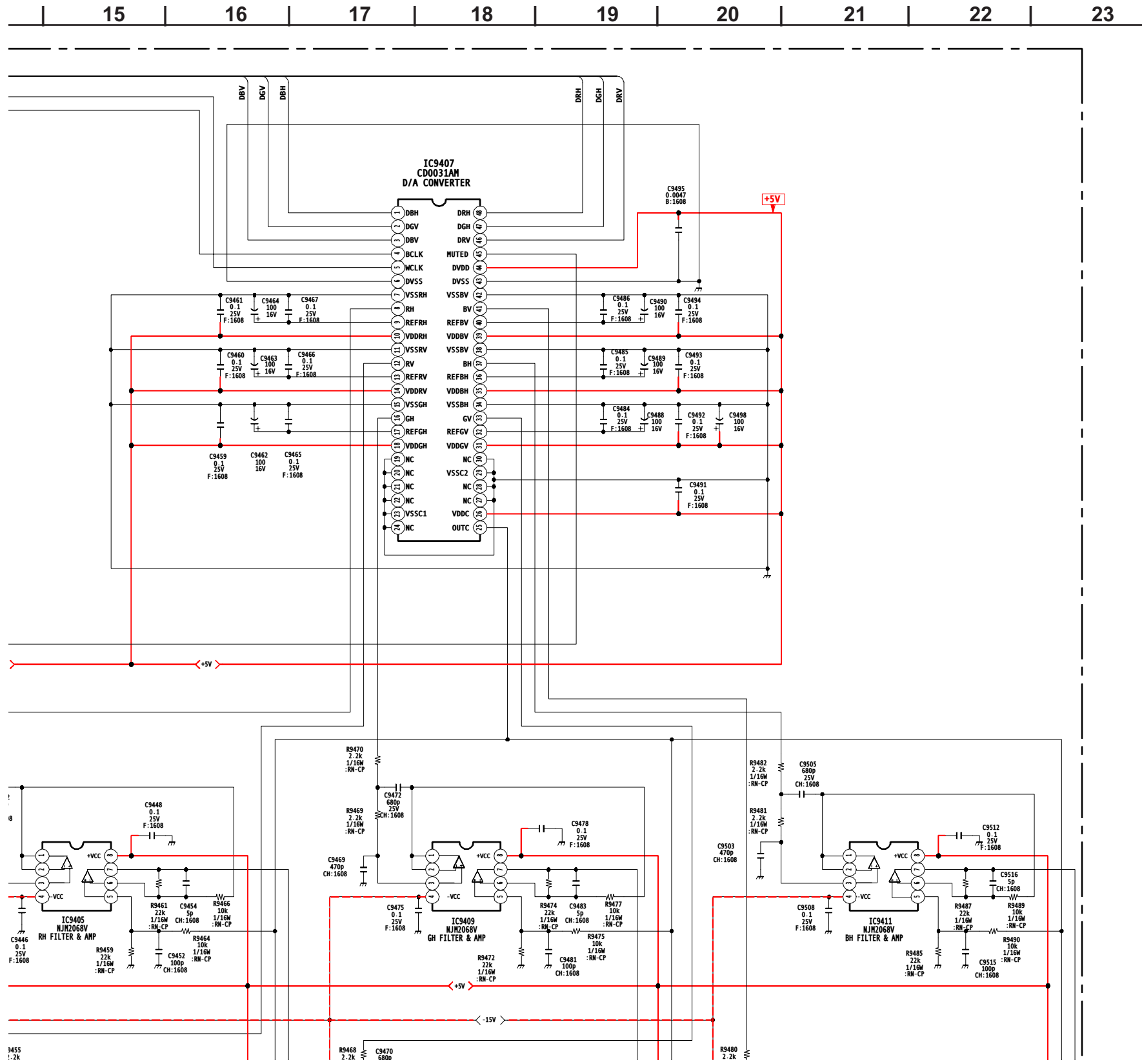
TO A BOARD

CN521	
CN6506	
11P WHT :S-MICRO	
1	33V
2	NC
3	NC
4	GND
5	12V
6	SET ON
7	GND
8	AC RELAY
9	OVP
10	OC
11	GND

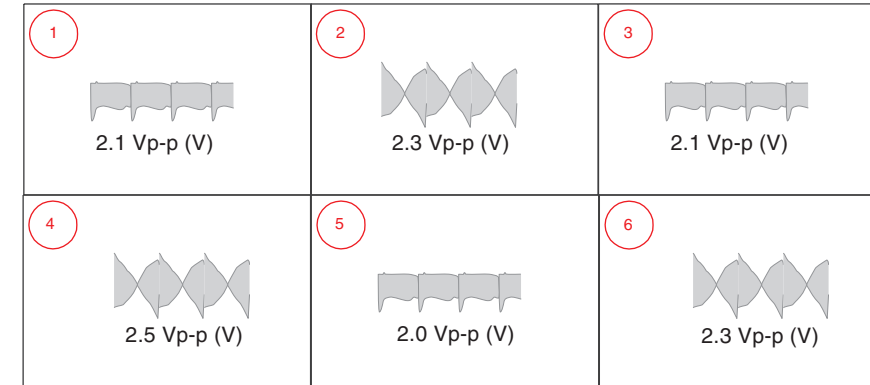
**AD BOARD SCHEMATIC DIAGRAM (1 OF 2)**

The AD board is not field repairable. If service is required, use the following part number to order a complete replacement board.  
 A-1300-411-A AD Board, Complete

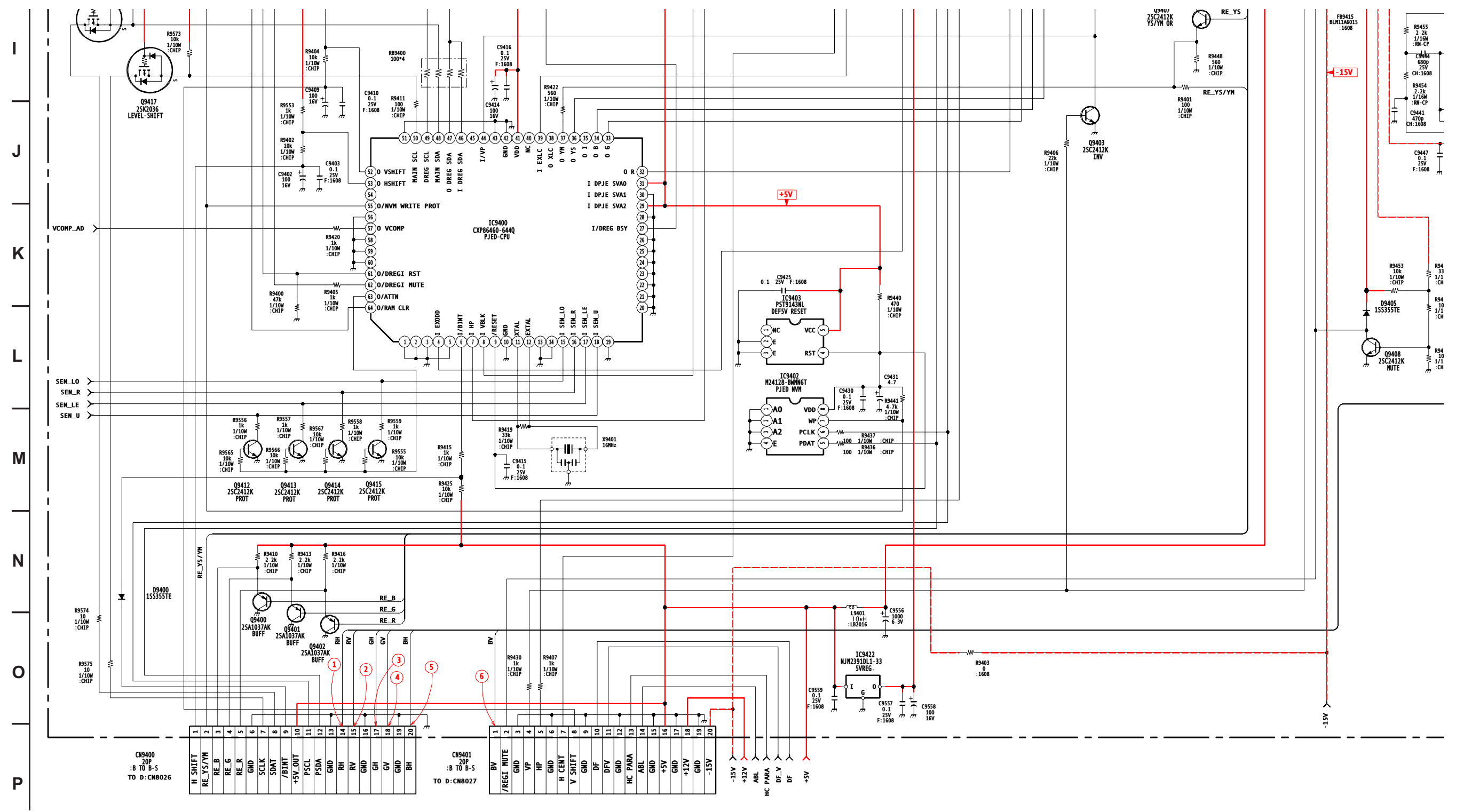




AD BOARD WAVEFORMS



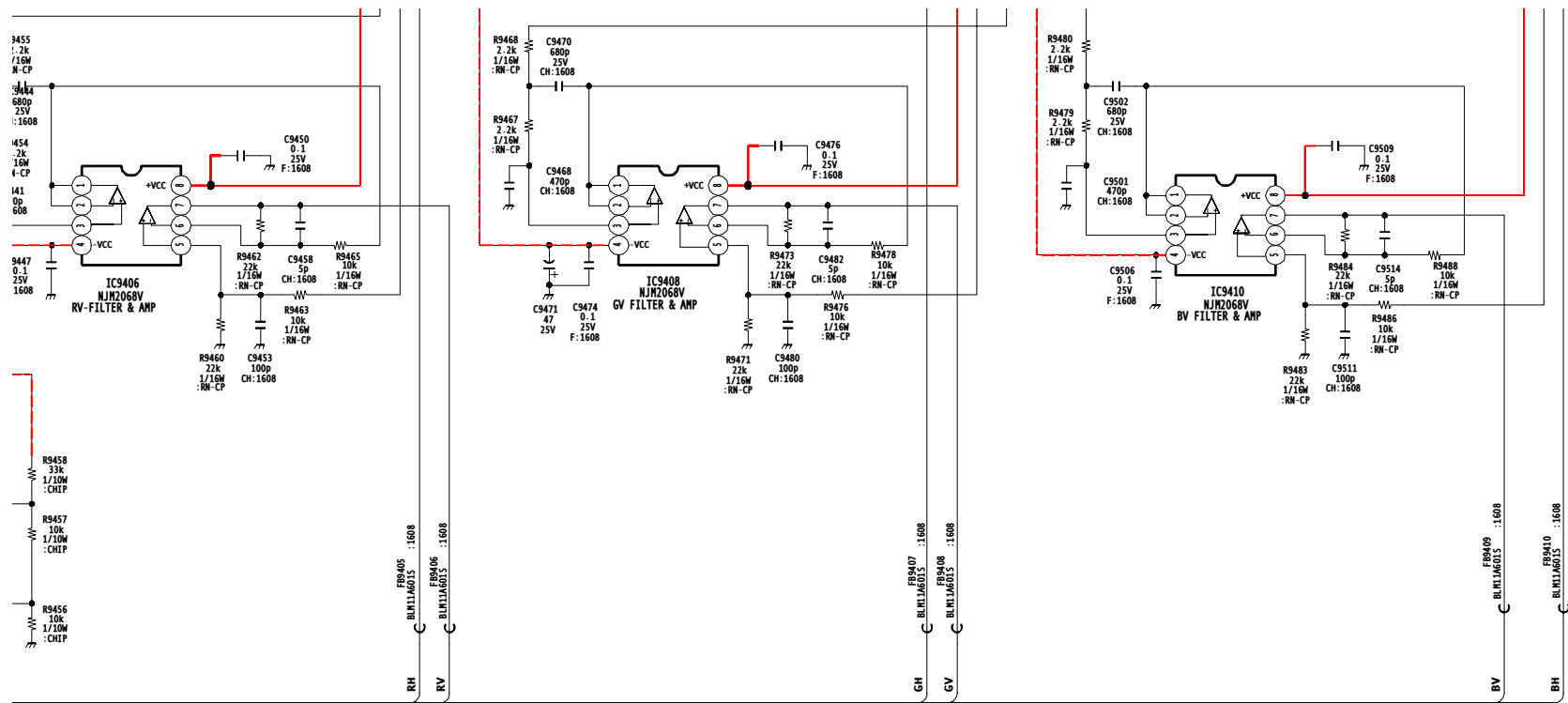




I  
J  
K  
L  
M  
N  
O  
P

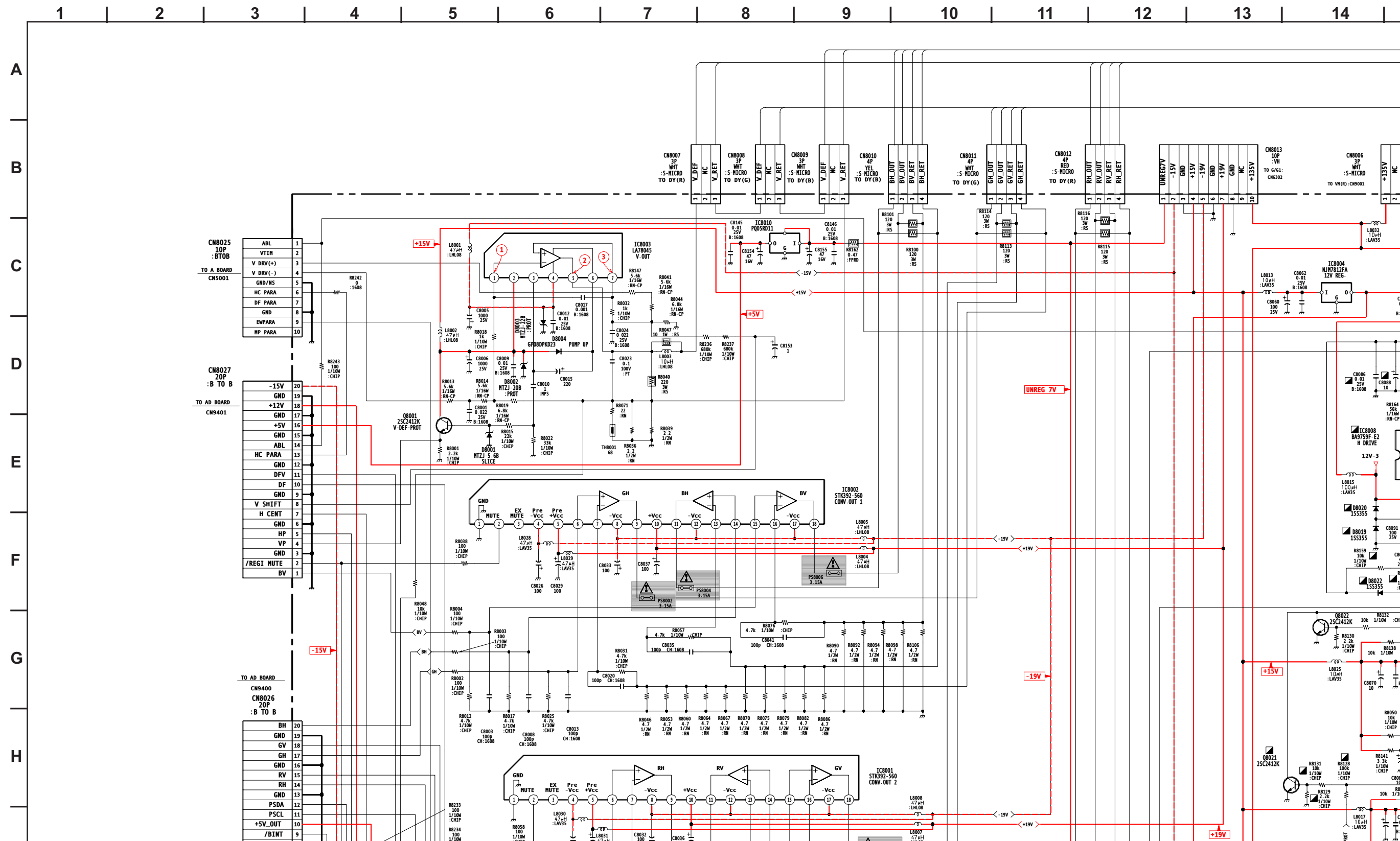
CN9400  
20P  
:B TO B-5  
TO D:CN8026

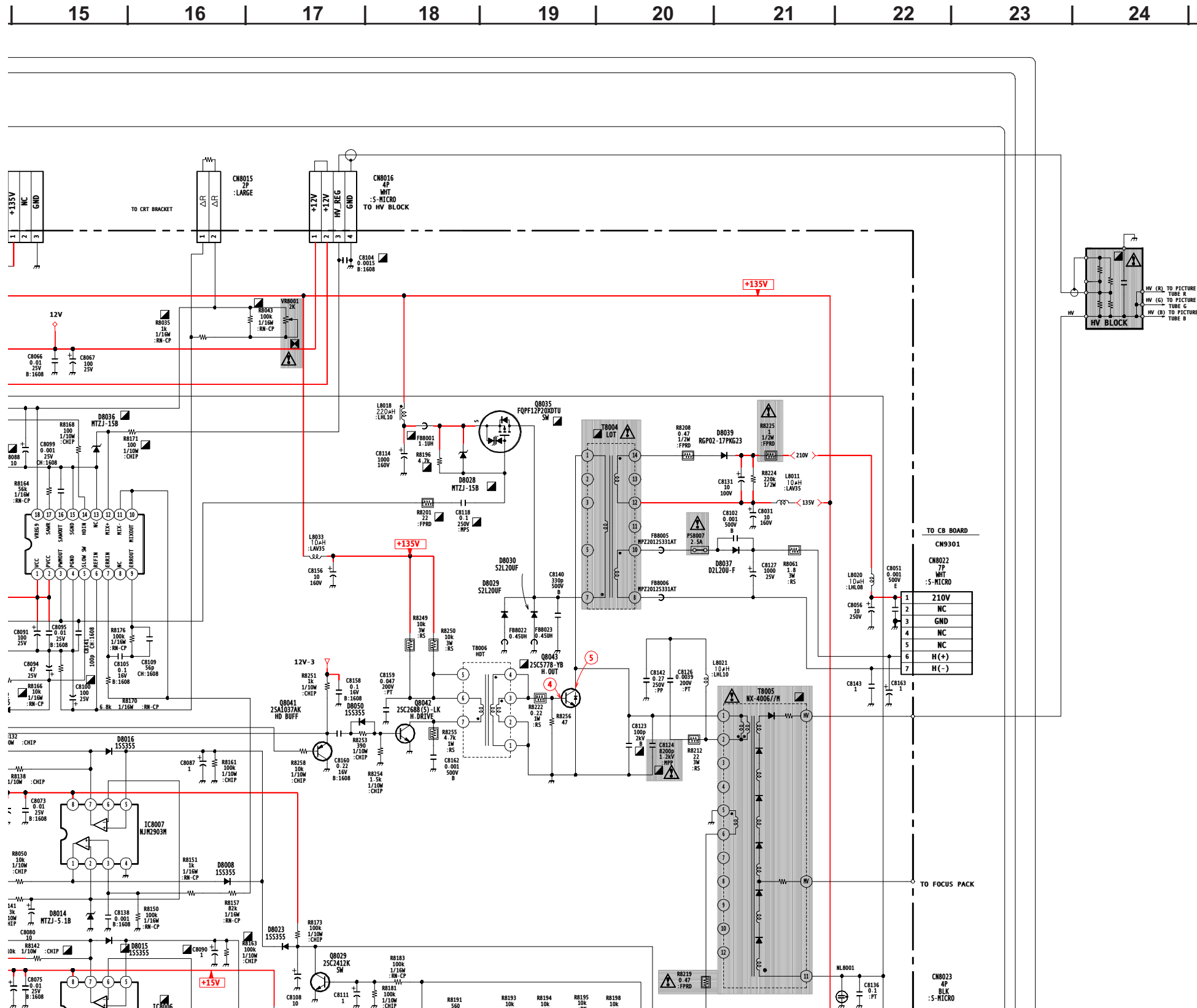
CN9401  
20P  
:B TO B-5  
TO D:CN8027



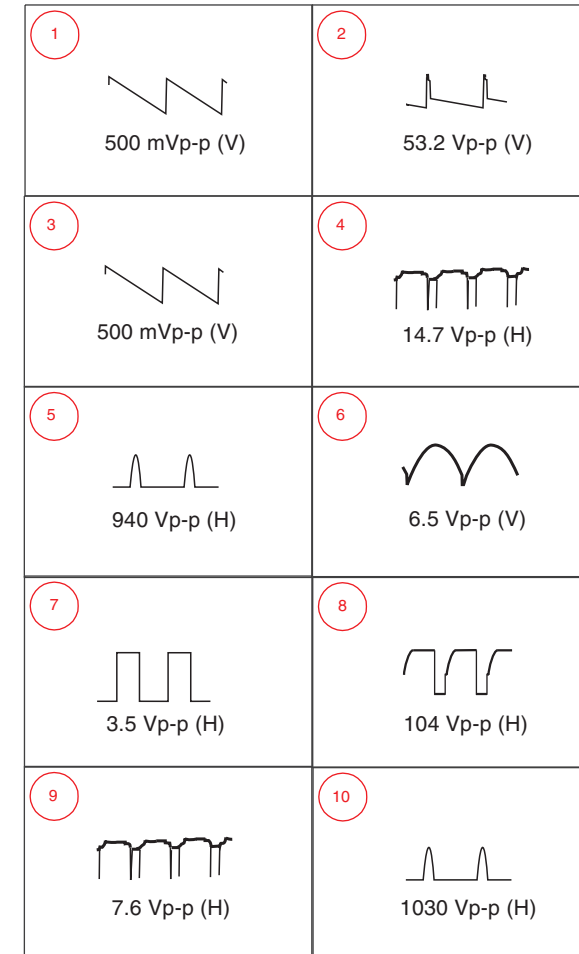
**AD (1/2)**  
**DIGITAL REGI**  
**PJED CPU**  
**PJE DRIVE**

# D BOARD SCHEMATIC DIAGRAM





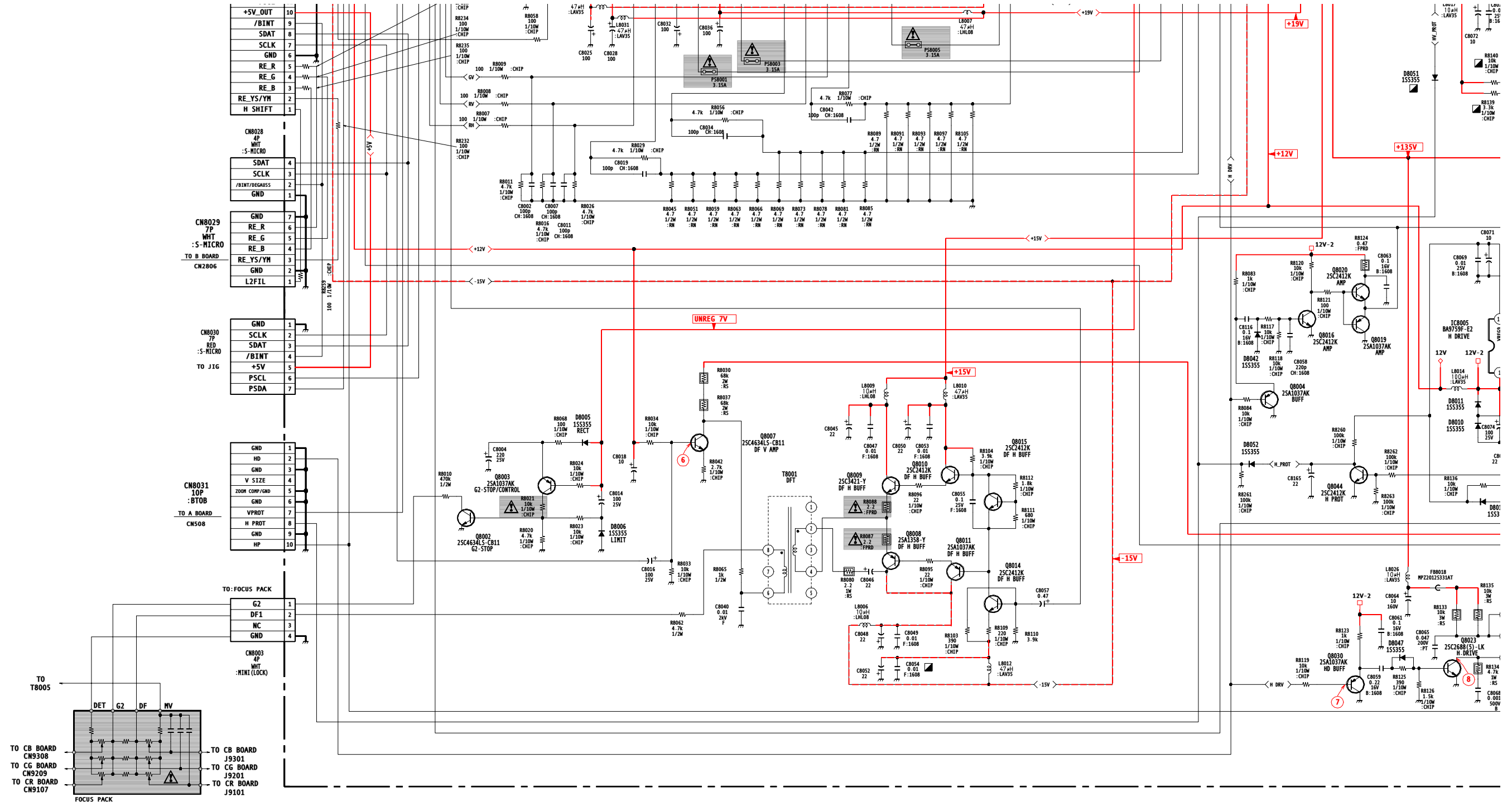
D BOARD WAVEFORMS

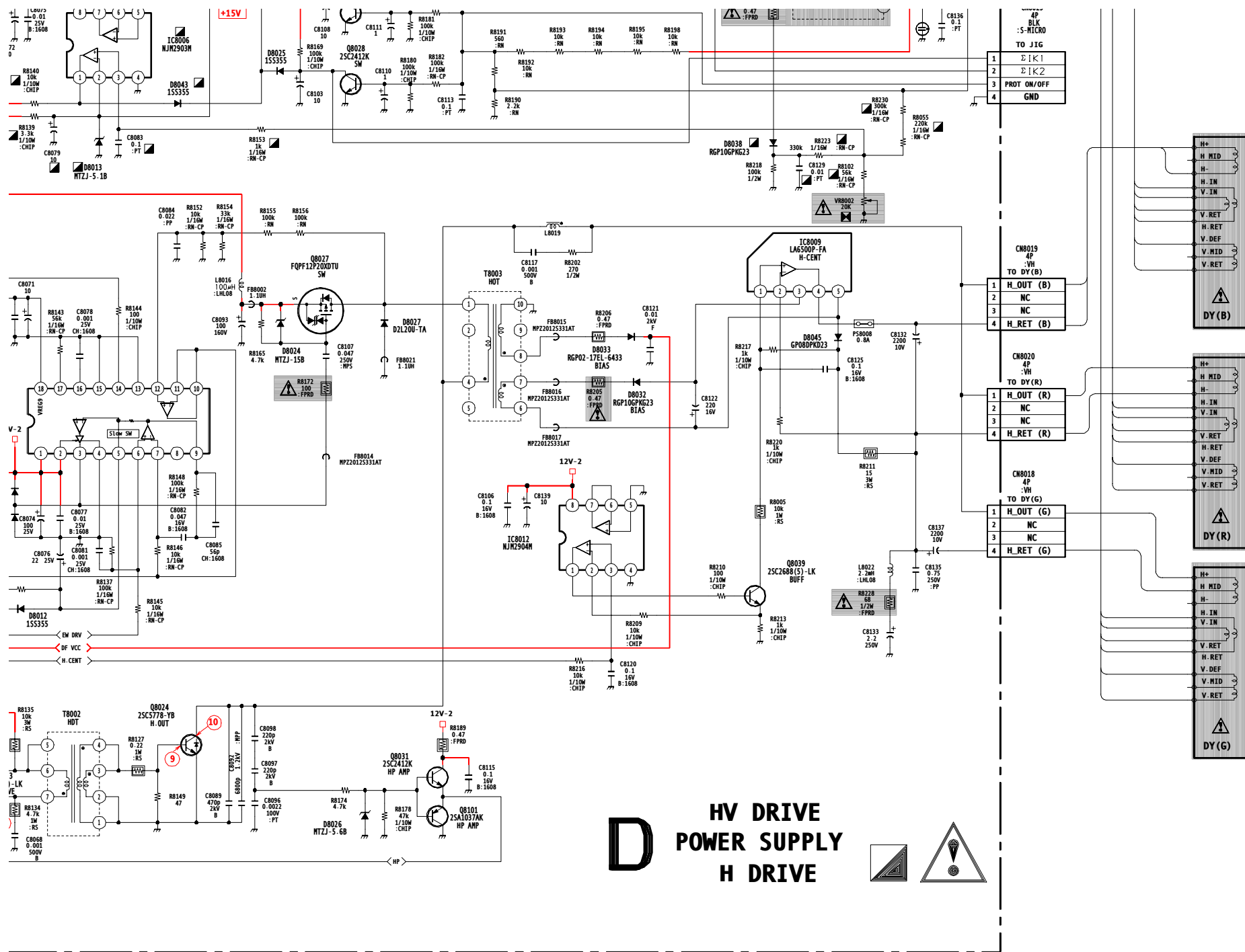


D BOARD IC VOLTAGE LIST

IC8001	14	0.3	15	GND	10	7.4	
PIN	VOLT	15	0	16	3.2	11	7.4
1	GND	16	0	17	2.6	12	7.4
2	4.3	17	-22	18	9.1	13	GND
3	N/C	18	0.1	<b>IC8006</b>		14	7.1
4	-22.0	<b>IC8003</b>		PIN	VOLT	15	GND
5	22.0	PIN	VOLT	1	0.1	16	3.2
6	-0.3	1	1.3	2	5.0	17	2.6
7	-0.3	2	15.0	3	4.5	18	9.1
8	-22.0	3	-13.1	4	GND	<b>IC8009</b>	
9	-0.5	4	-15.0	5	0.0	PIN	VOLT
10	22.0	5	0.4	6	5.0	1	98.2
11	0.1	6	15.0	7	0.1	2	98.2
12	-22.0	7	1.3	8	15.0	3	94.0
13	0.0	<b>IC8004</b>		<b>IC8007</b>		4	97.8
14	0.0	PIN	VOLT	PIN	VOLT	5	101.1

I  
J  
K  
L  
M  
N  
O  
P





13	U.U	IC8004		IC8007		4	97.8
14	0.0	PIN	VOLT	PIN	VOLT	5	101.1
15	0.0	I	15.0	1	0.1	<b>IC8010</b>	
16	0.0	O	12.0	2	5.0	PIN	VOLT
17	-22.0	G	GND	3	4.0	I	7.0
18	0.1	<b>IC8005</b>		4	GND	O	5.0
<b>IC8002</b>		PIN	VOLT	5	0.0	G	GND
PIN	VOLT	1	12.0	6	5.0	<b>IC8012</b>	
1	GND	2	12.0	7	0.1	PIN	VOLT
2	4.3	3	5.8	8	15.0	1	2.7
3	N/C	4	GND	<b>IC8008</b>		2	2.1
4	-22.0	5	7.9	PIN	VOLT	3	2.1
5	22.0	6	3.8	1	12.0	4	GND
6	-0.1	7	3.8	2	12.0	5	GND
7	-0.1	8	N/C	3	6.0	6	0.0
8	-22.0	9	3.8	4	GND	7	0.0
9	0.0	10	3.6	5	8.0	8	12.0
10	22.0	11	3.6	6	7.4	All voltages are in V.	
11	0.5	12	3.6	7	7.4		
12	-22.0	13	GND	8	N/C		
13	0.3	14	7.1	9	3.3		

**D BOARD TRANSISTOR VOLTAGE LIST**

	B	C	E		B	C	E
Q8001	-0.4	15.0	0.1	Q8021	0.0	8.9	GND
Q8002	0	13.0	GND	Q8022	0.0	8.9	GND
Q8003	14.6	0.0	14.6	Q8023	-0.5	68.0	GND
Q8004	3.4	GND	4.0	Q8024	0.1	242.0	GND
Q8007	5.8	204.0	5.2	Q8028	0.5	0.0	GND
Q8008	2.8	-22.0	3.3	Q8029	0.5	0.0	GND
Q8009	4.0	22.0	3.4	Q8030	3.4	GND	4.0
Q8010	4.5	22.0	4.0	Q8031	0.2	12.0	0.6
Q8011	2.3	-22.0	2.7	Q8039	2.7	76.7	2.1
Q8014	-20.0	2.3	-20.6	Q8041	3.4	GND	8.9
Q8015	2.9	4.5	2.3	Q8042	9.6	29.8	GND
Q8016	-0.3	7.4	GND	Q8043	8.9	192.0	0.1
Q8019	7.4	GND	7.2	Q8044	0.6	0.0	GND
Q8020	7.4	12.0	7.2	Q8101	0.2	GND	0.6

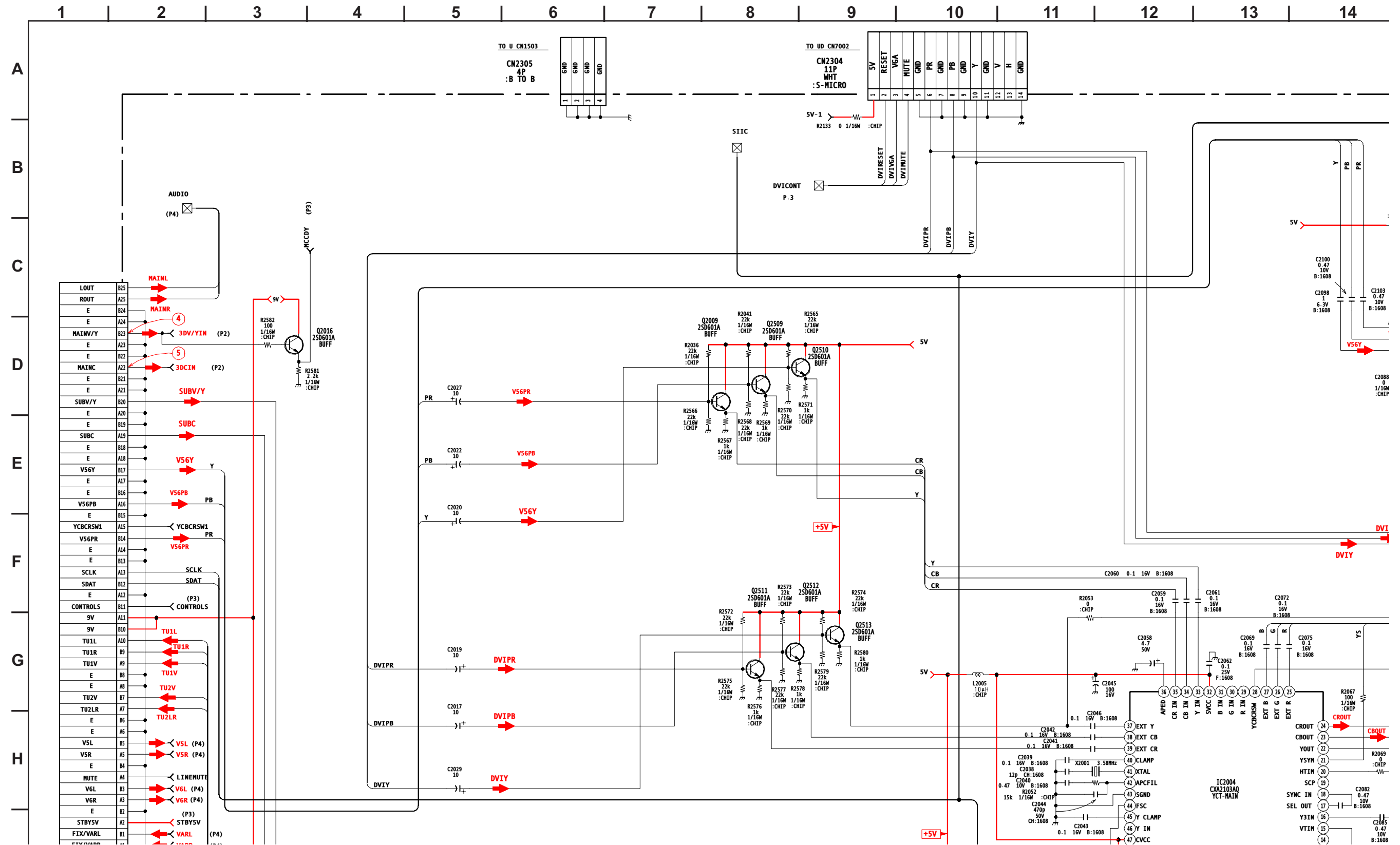
	D	G	S
Q8027	112.3	131.1	135.0
Q8035	115.6	130.9	135.9

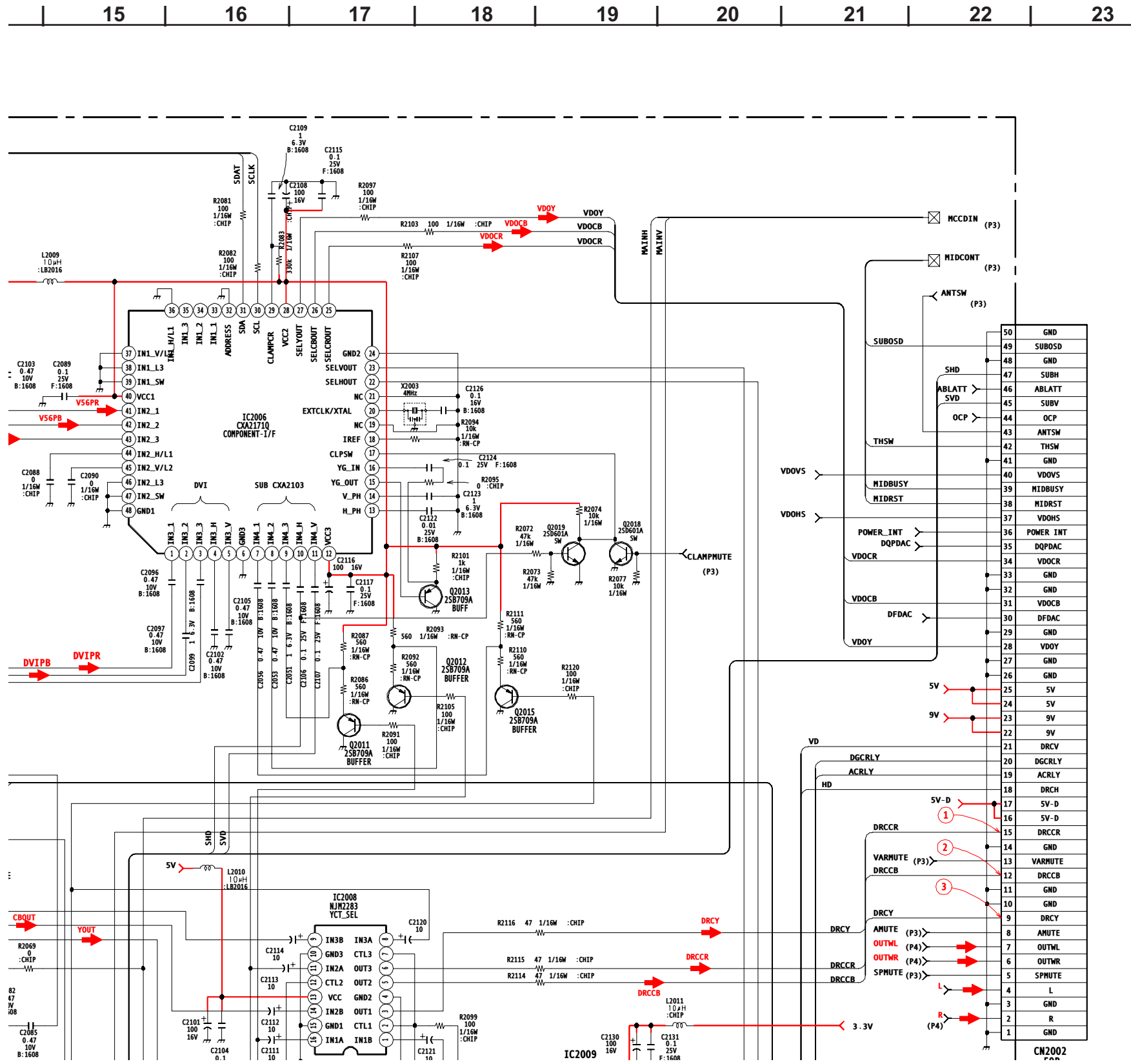
All voltages are in V.



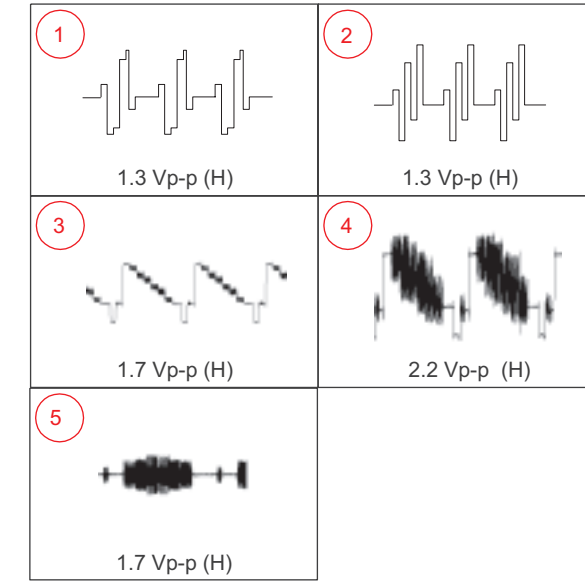
# M BOARD SCHEMATIC DIAGRAM (1 OF 4)

The M board is not field repairable. If service is required, use the following part number to order a complete replacement board.  
 A-1300-646-A M Board, Complete



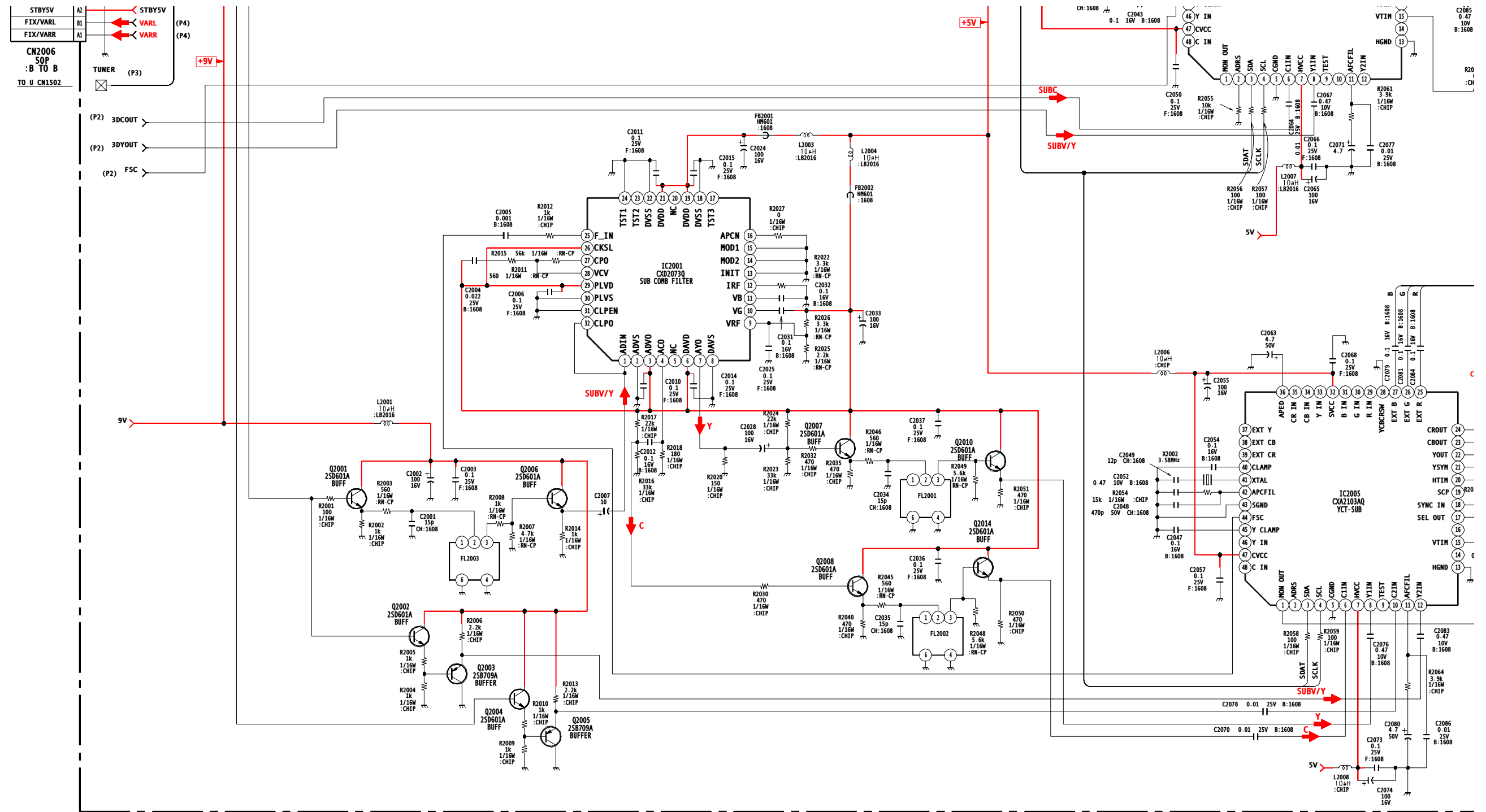


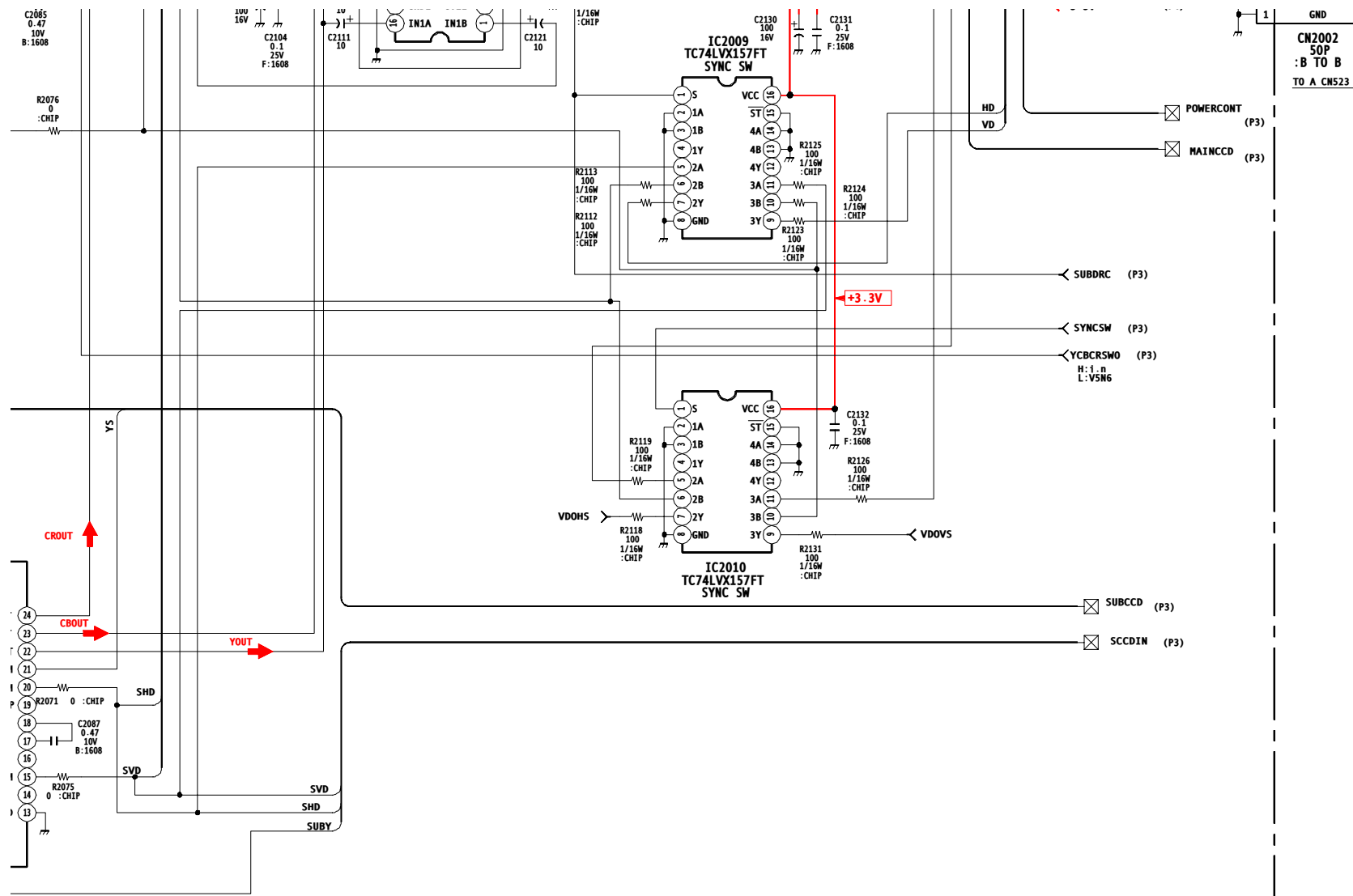
M BOARD WAVEFORMS



50	GND
49	SUBOSD
48	GND
47	SUBH
46	ABLATT
45	SUBV
44	OCV
43	ANTSM
42	THSW
41	GND
40	VDDOVS
39	MIDBUSY
38	MIDRST
37	VDDOHS
36	POWER_INT
35	DQPDAC
34	VDDOCR
33	GND
32	VDDOCB
31	DFDAC
30	VDDOY
29	GND
28	VDDOY
27	GND
26	GND
25	5V
24	5V
23	9V
22	9V
21	DGCRLY
20	ACRLY
19	ACRLY
18	DRCH
17	5V-D
16	5V-D
15	DRCCR
14	GND
13	VARMUTE
12	DRCCB
11	GND
10	GND
9	DRCY
8	AMUTE
7	OUTWL
6	OUTWR
5	SPMUTE
4	L
3	GND
2	R
1	GND

I  
J  
K  
L  
M  
N  
O  
P

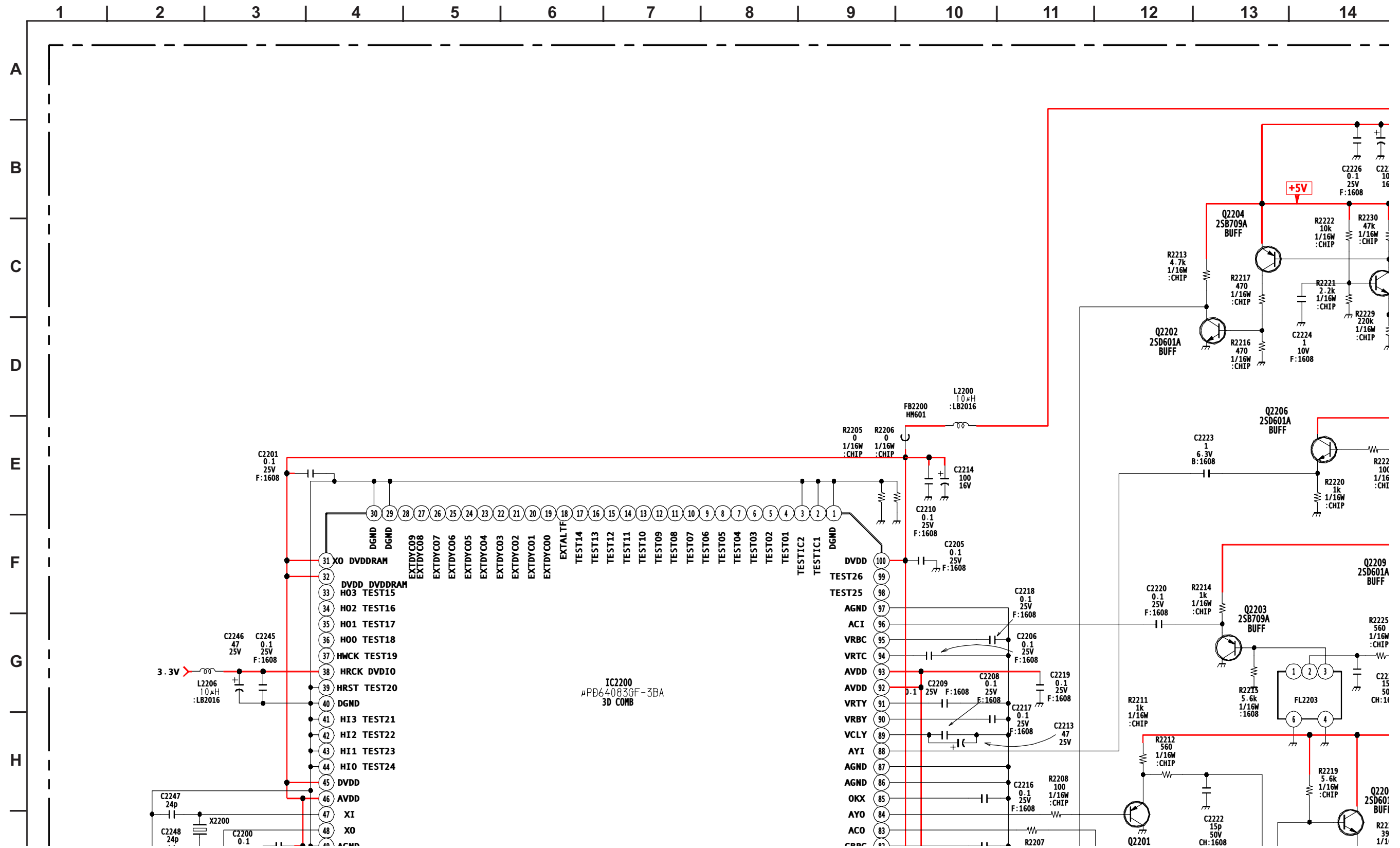


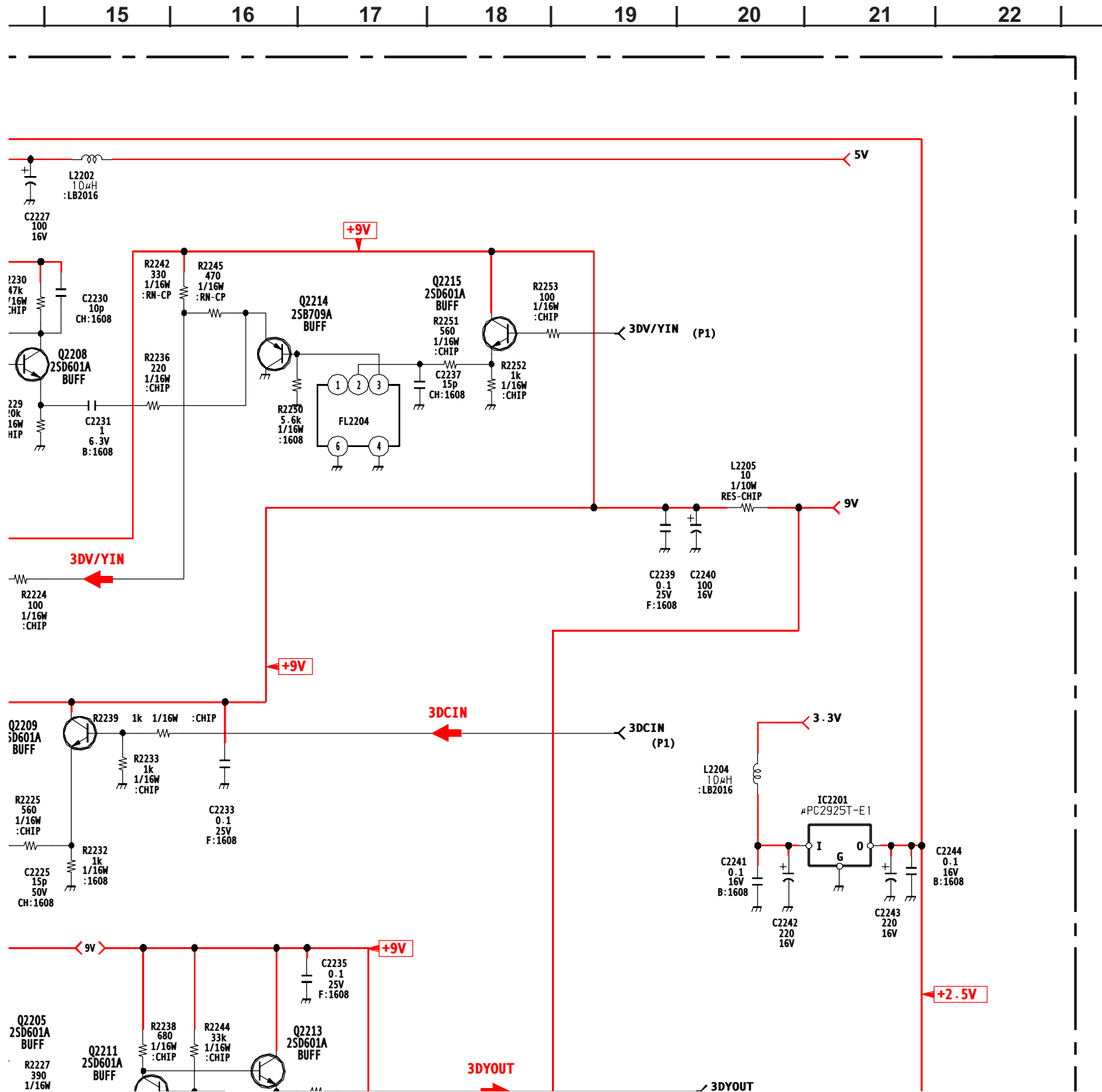


# M BOARD 1/4

## VIDEO PROCESSOR

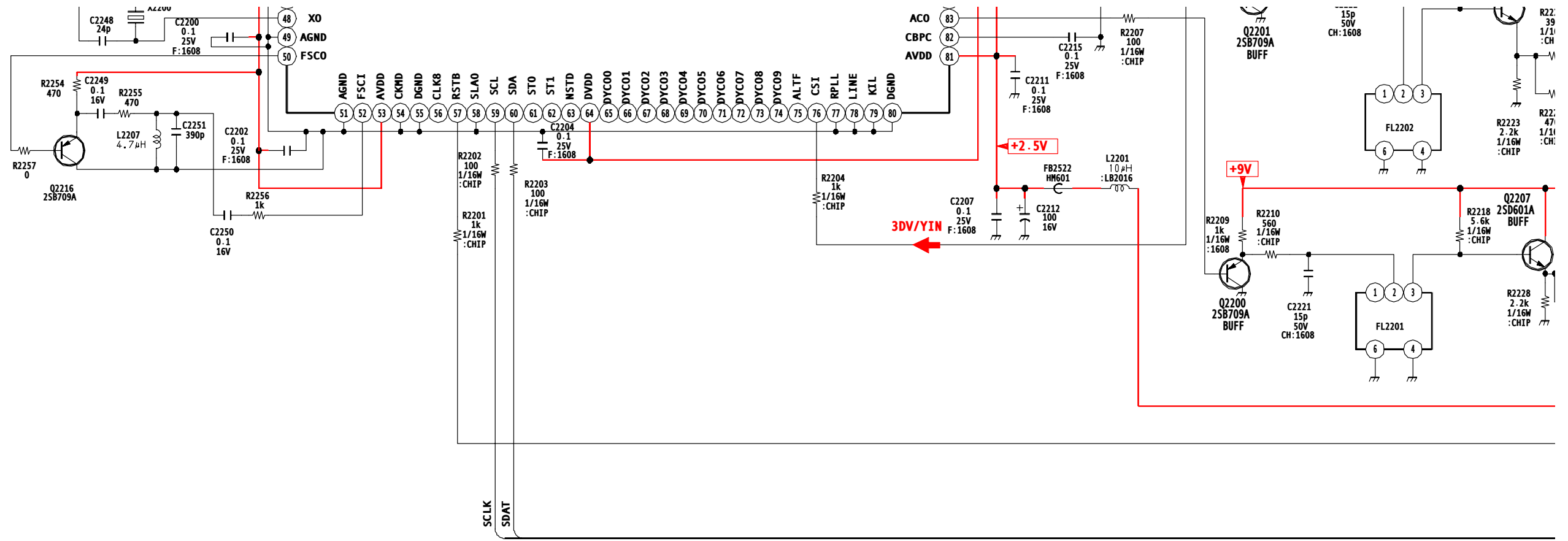
M BOARD SCHEMATIC DIAGRAM (2 OF 4)

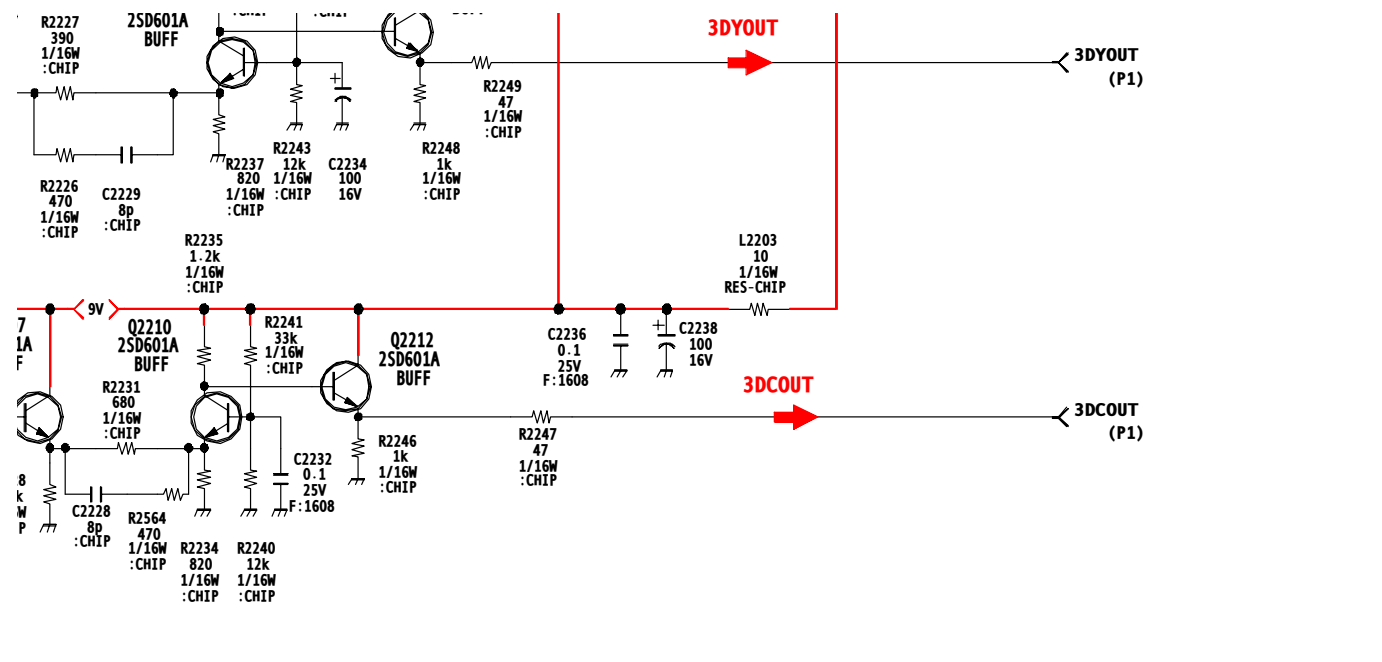






I  
J  
K  
L  
M  
N  
O  
P





3DYOUT (P1)

3DCOUT (P1)

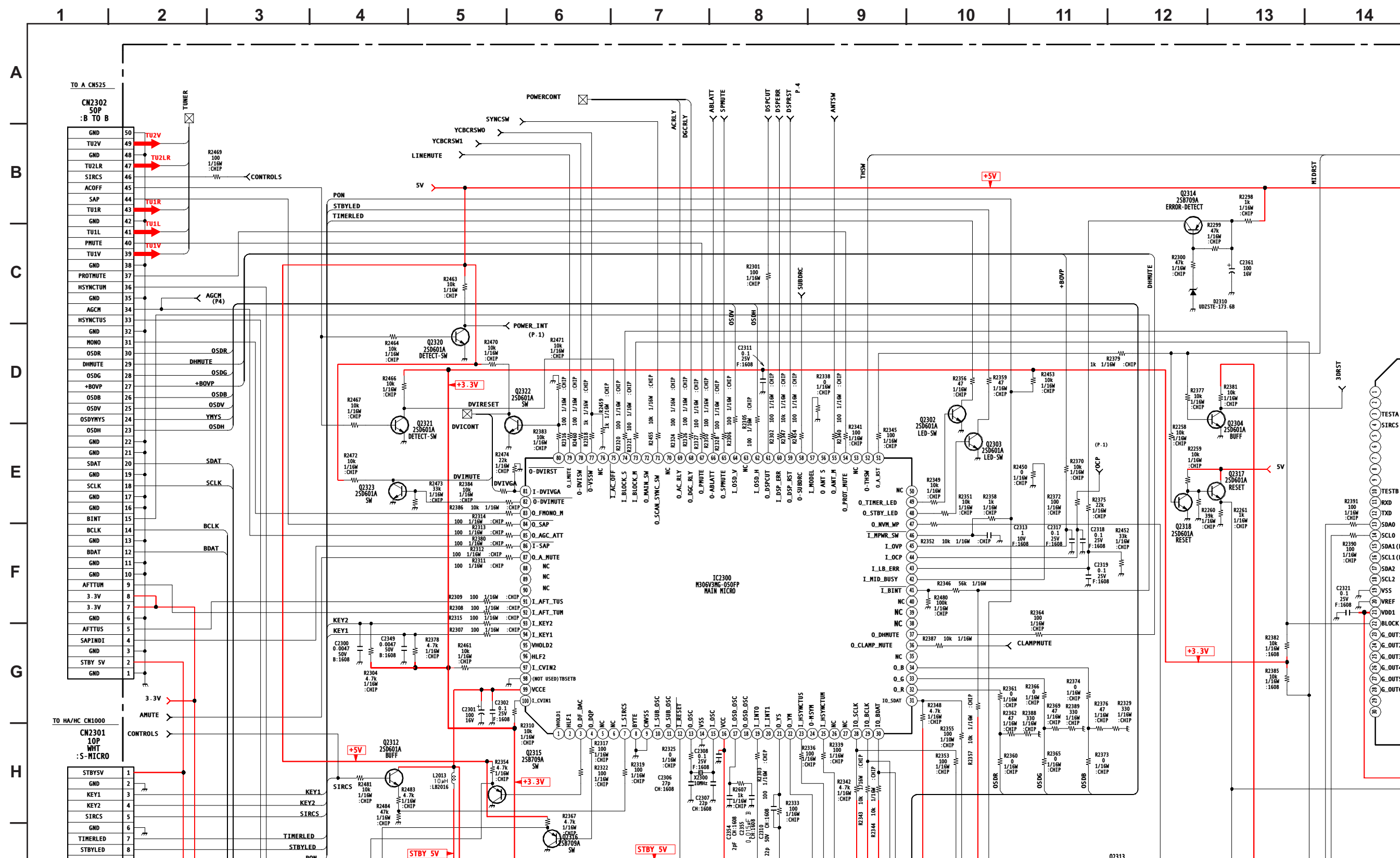
3DRST (P3)

SIIC (P1.3.4)

# M BOARD 2/4

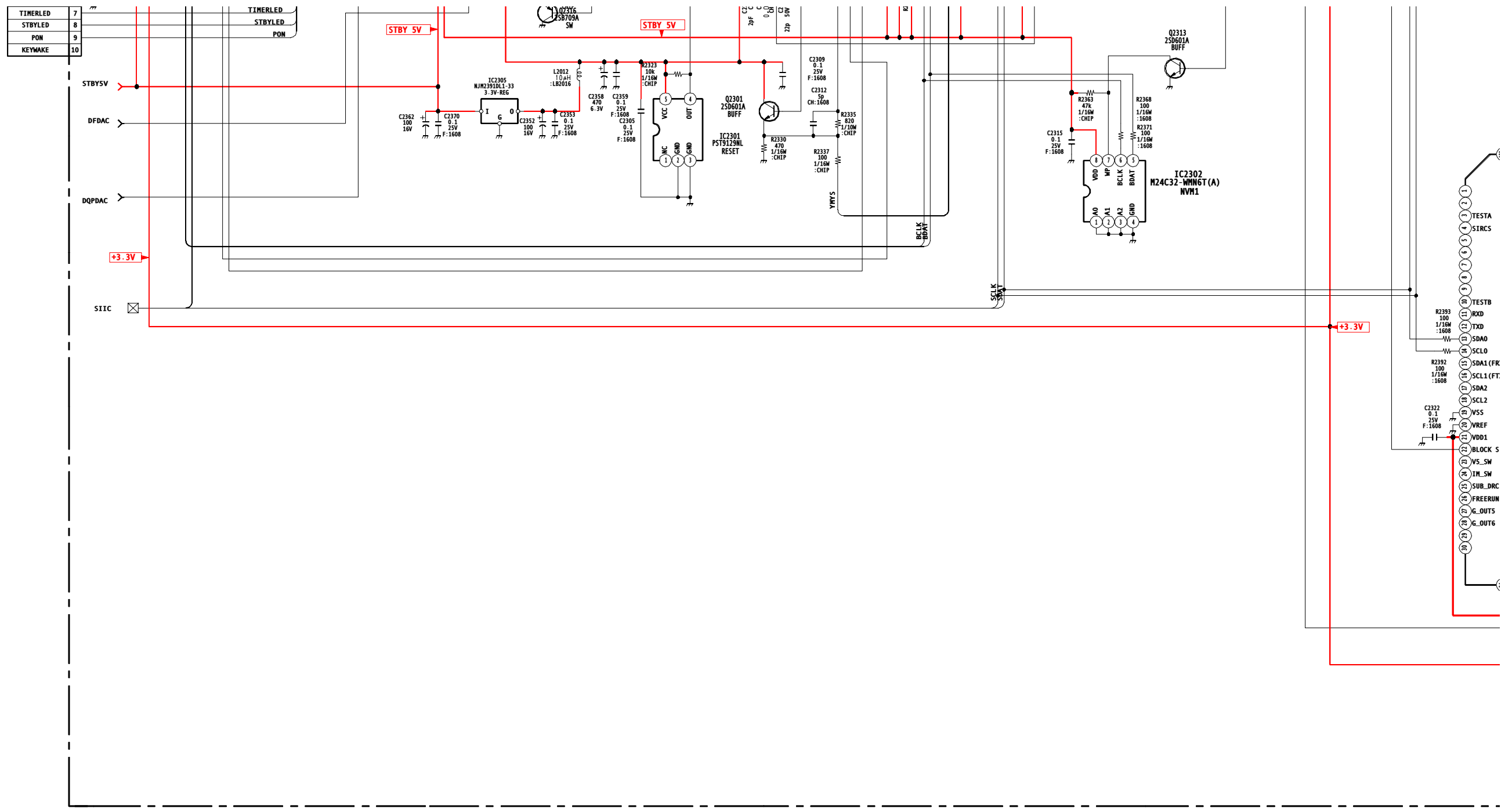
## 3D-COMB

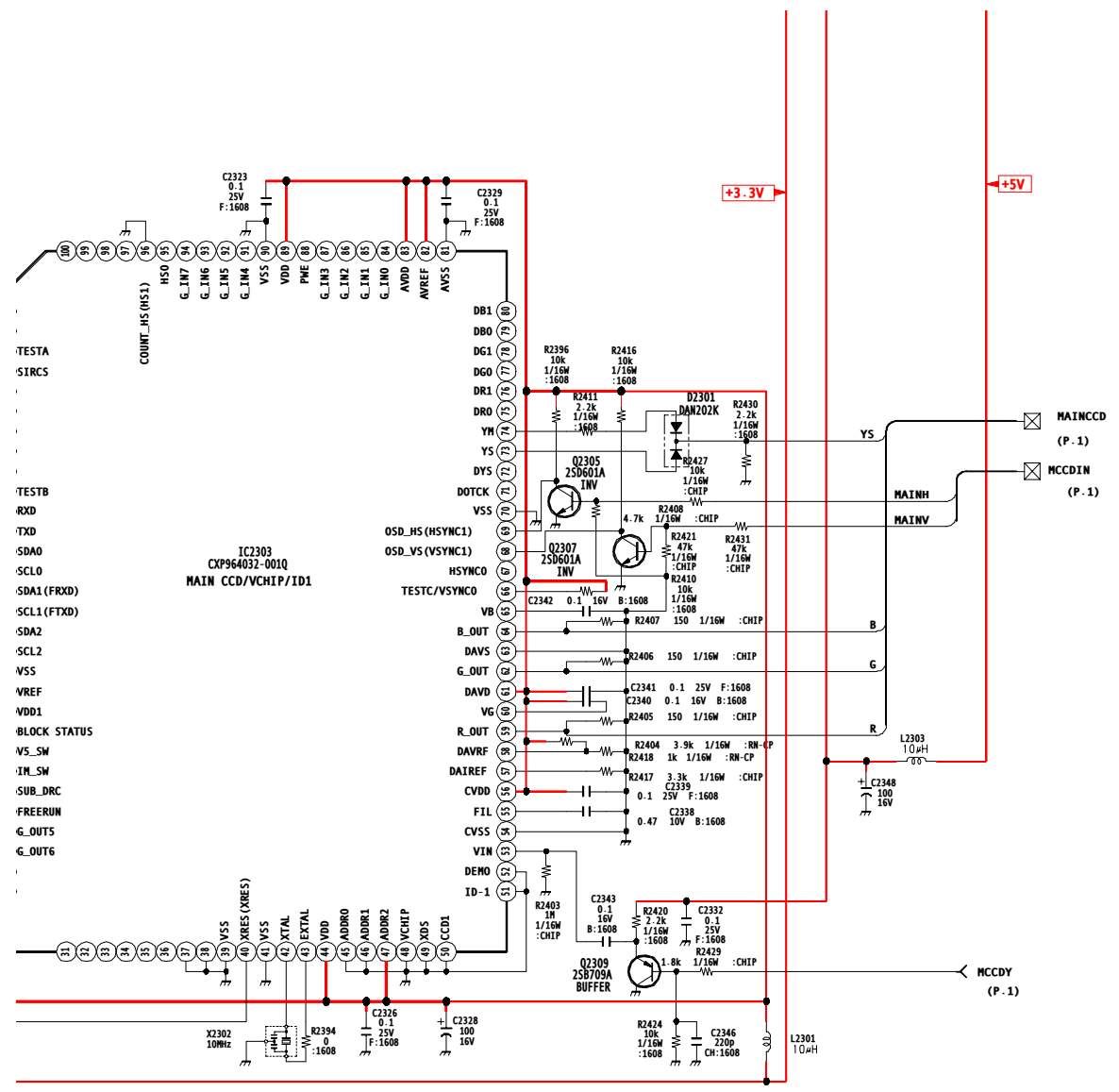
# M BOARD SCHEMATIC DIAGRAM (3 OF 4)





I  
J  
K  
L  
M  
N  
O  
P

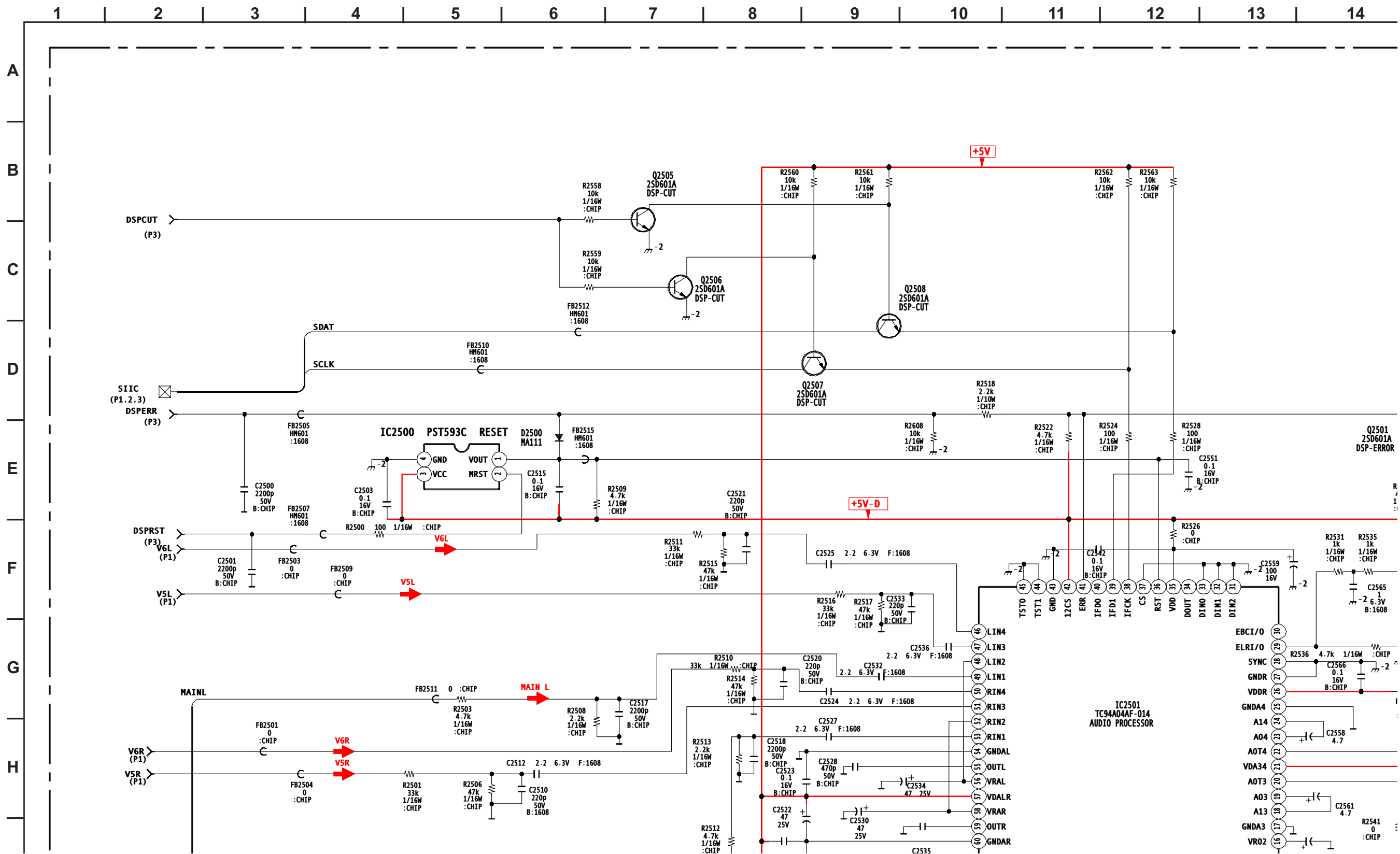


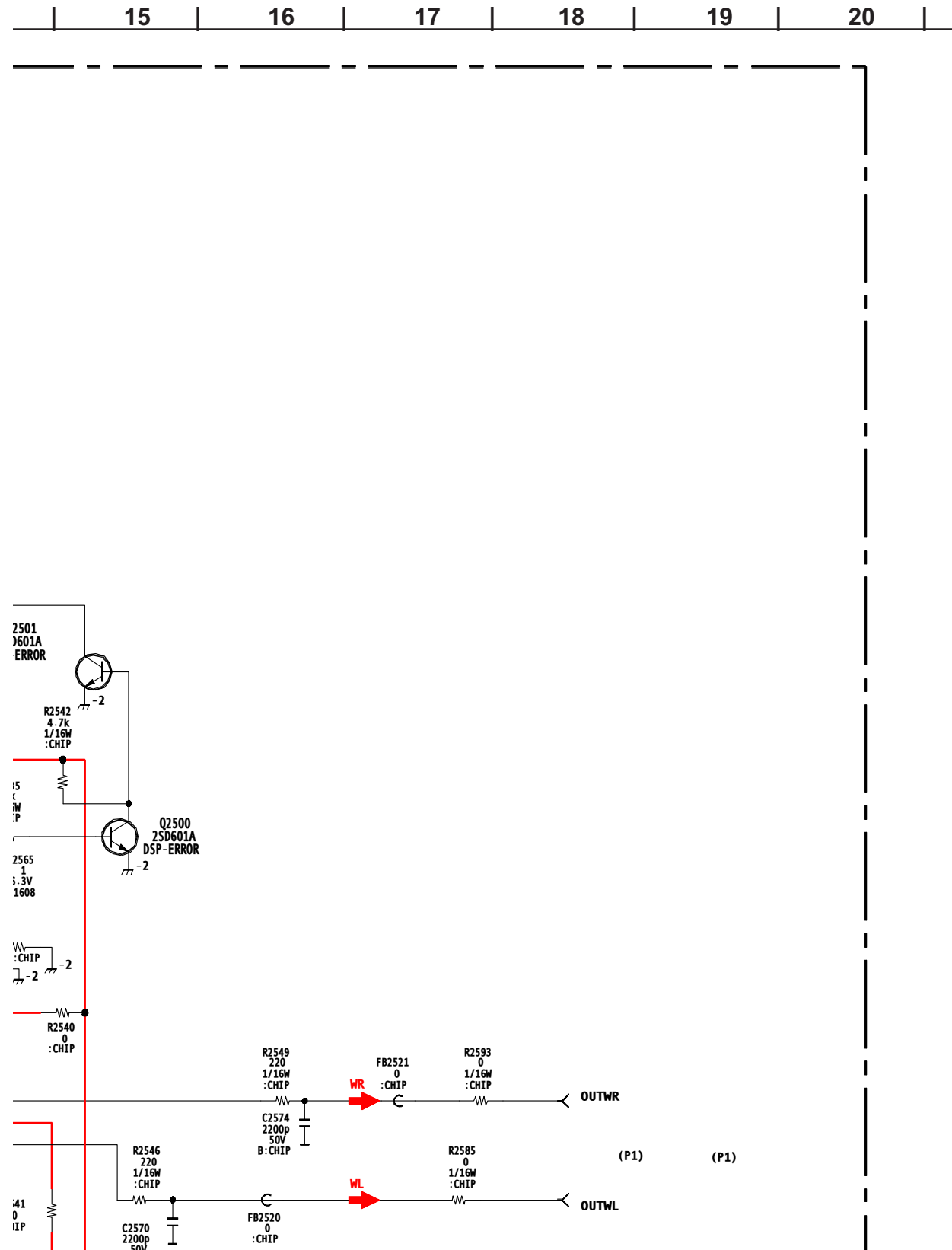


# M BOARD 3/4 MICRO (MAIN.CCD)

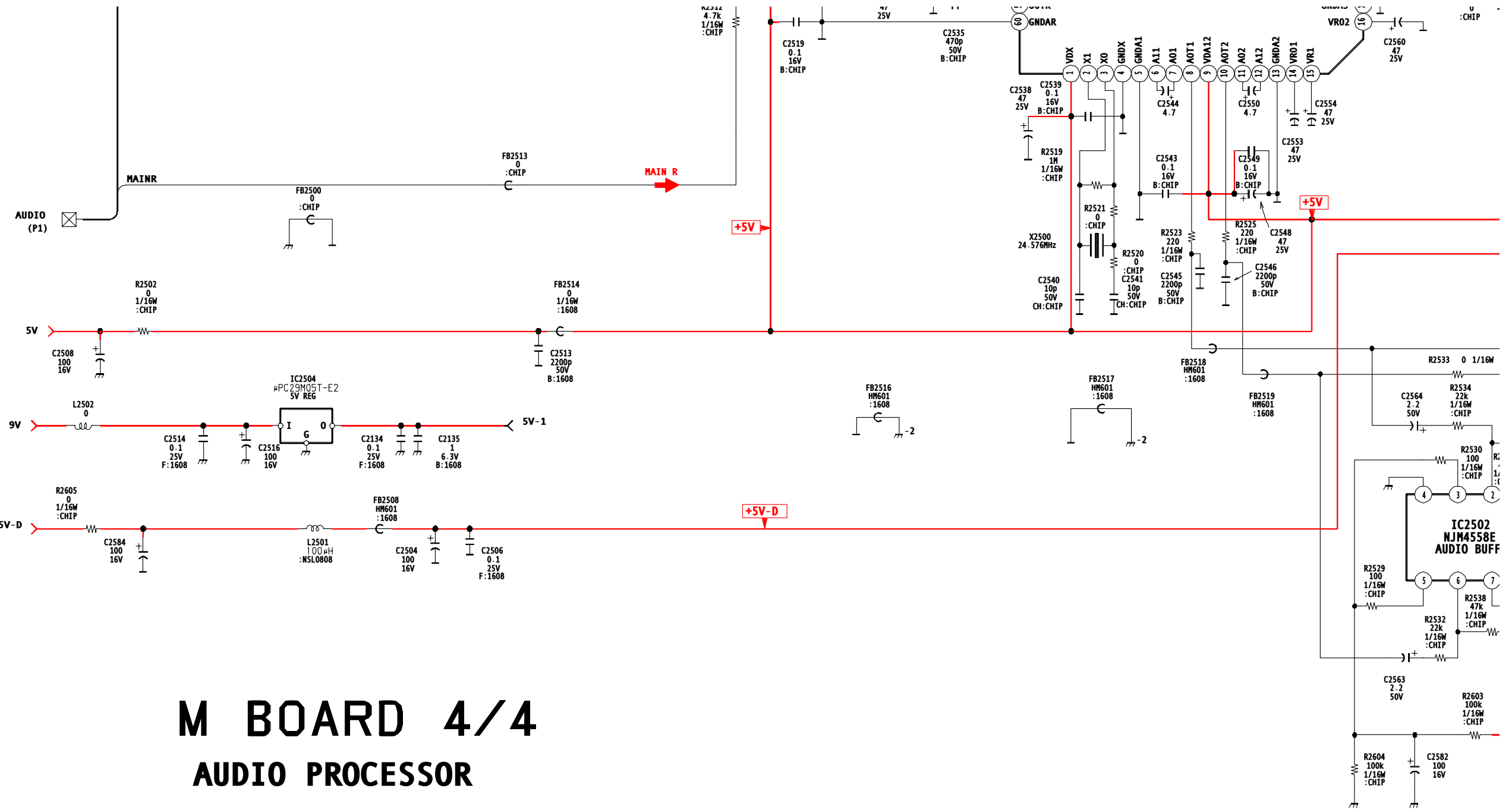


# M BOARD SCHEMATIC DIAGRAM (4 OF 4)

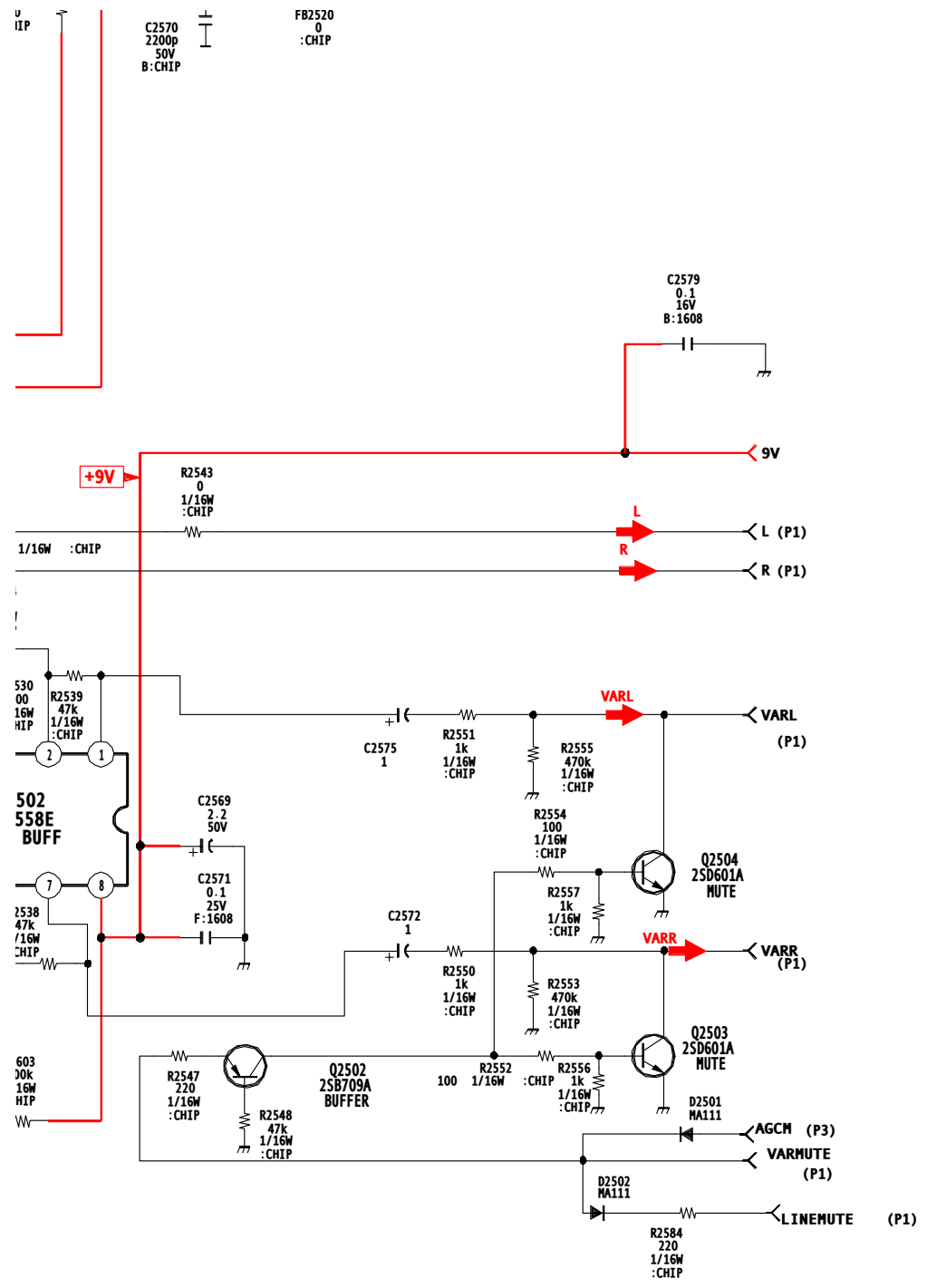


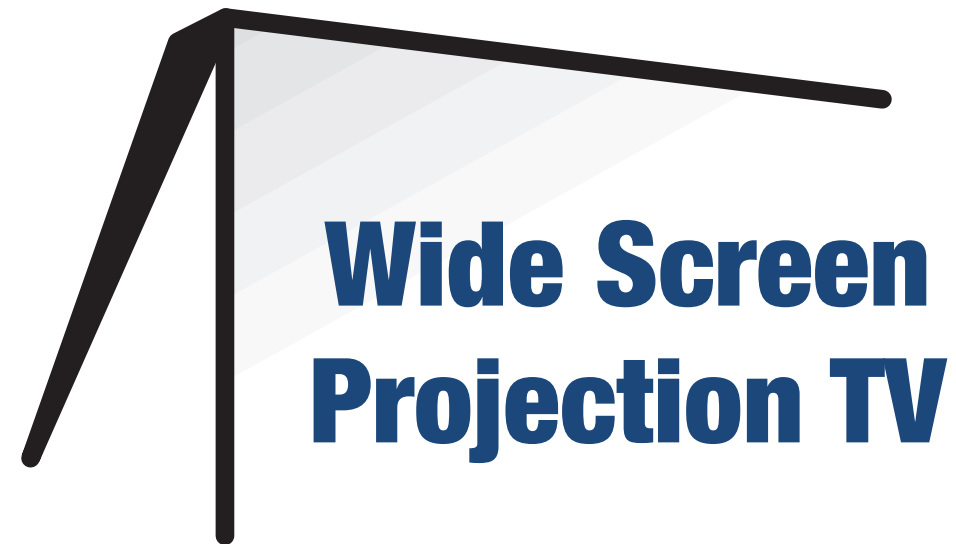


I  
J  
K  
L  
M  
N  
O  
P



# M BOARD 4/4 AUDIO PROCESSOR





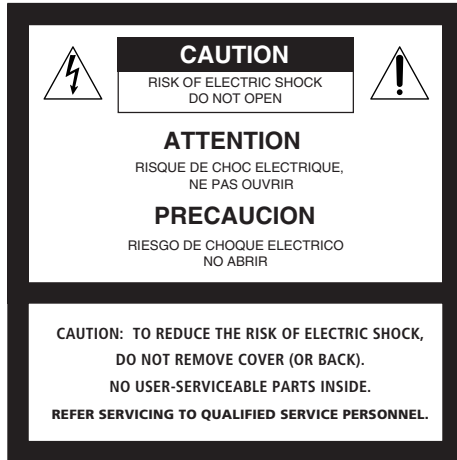
# Wide Screen Projection TV

Operating Instructions

© 2002 Sony Corporation

## WARNING

To reduce the risk of fire or shock hazard, do not expose the projection TV to rain or moisture.



This symbol is intended to alert the user to the presence of uninsulated "dangerous voltage" within the product's enclosure that may be of sufficient magnitude to constitute a risk of electric shock to persons.



This symbol is intended to alert the user to the presence of important operating and maintenance (servicing) instructions in the literature accompanying the appliance.

## CAUTION

To prevent electric shock, do not use this polarized AC plug with an extension cord, receptacle or other outlet unless the blades can be fully inserted to prevent blade exposure.

## CAUTION

**When using TV games, computers, and similar products with your projection TV, or viewing a TV station whose logo always stays on the screen, keep the brightness and contrast functions at low settings. If a fixed (non-moving) pattern such as a station logo is left on the screen for long periods of time, especially at a high brightness or contrast setting, the image can be permanently imprinted onto the screen. These types of imprints are not covered by your warranty.**

## Note on Caption Vision

This television receiver provides display of television closed captioning in accordance with §15.119 of the FCC rules.

## Note on Convergence Adjustment

Before you use your projection TV, make sure to adjust convergence. For details, see "Adjusting the Convergence Automatically (Flash Focus)" on page 44.

## Note to CATV System Installer

This reminder is provided to call the CATV system installer's attention to Article 820-40 of the National Electrical Code (NEC) that provides guidelines for proper grounding and, in particular, specifies that the cable ground shall be connected to the grounding system of the building, as close to the point of cable entry as practical.

Use of this television receiver for other than private viewing of programs broadcast on UHF or VHF or transmitted by cable companies for the use of the general public may require authorization from the broadcaster/cable company and/or program owner.

## NOTIFICATION

This equipment has been tested and found to comply with the limits for a Class B digital device pursuant to Part 15 of the FCC Rules. These limits are designed to provide reasonable protection against harmful interference in a residential installation. This equipment generates, uses, and can radiate radio frequency energy and, if not installed and used in accordance with the instructions, may cause harmful interference with radio communications. However, there is no guarantee that interference will not occur in a particular installation. If this equipment does cause harmful interference to radio or television reception, which can be determined by turning the equipment off and on, the user is encouraged to try to correct the interference by one or more of the following measures:

- Reorient or relocate the receiving antennas.
- Increase the separation between the equipment and receiver.
- Connect the equipment into an outlet on a circuit different from that to which the receiver is connected.
- Consult the dealer or an experienced radio/TV technician for help.

You are cautioned that any changes or modifications not expressly approved in this manual could void your authority to operate this equipment.

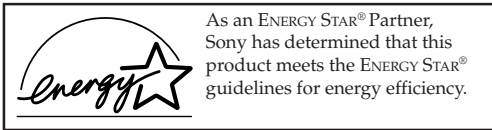
## Safety

- Operate the projection TV only on 120 V AC.
- The plug is designed, for safety purposes, to fit into the wall outlet only one way. If you are unable to insert the plug fully into the outlet, contact your dealer.
- If any liquid or solid object should fall inside the cabinet, unplug the projection TV immediately and have it checked by qualified service personnel before operating it further.
- If you will not be using the projection TV for several days, disconnect the power by pulling the plug itself. Never pull on the cord.
- For details concerning safety precautions, see "Important Safeguards" on page 3.




## Installing

- ❑ To prevent internal heat buildup, do not block the ventilation openings.
- ❑ Do not install the projection TV in a hot or humid place, or in a place subject to excessive dust or mechanical vibration.
- ❑ Avoid operating the projection TV at temperatures below 5°C (41°F).
- ❑ If the projection TV is transported directly from a cold to a warm location, or if the room temperature changes suddenly, the picture may be blurred or show poor color due to moisture condensation. In this case, please wait a few hours to let the moisture evaporate before turning on the projection TV.
- ❑ To obtain the best picture, do not expose the screen to direct illumination or direct sunlight. It is recommended to use spot lighting directed down from the ceiling or to cover the windows that face the screen with opaque drapery. It is desirable to install the projection TV in a room where the floor and walls are not of a reflective material.



ENERGY STAR® is a U.S. registered mark.

## Trademark Information

TruSurround and the  symbol are trademarks of SRS Labs, Inc. TruSurround technology is incorporated under license from SRS Labs, Inc.

BBE and BBE Symbol are trademarks of BBE Sound, Inc. and are licensed by BBE Sound, Inc. under U.S. Patent No. 4,638,258 and 4,482,866.

Steady Sound, Digital Reality Creation, Caption Vision, CineMotion, Memory Stick, and Twin View are registered trademarks of Sony Corporation. ClearEdge VM, HD Detailer, and Uniform Brightness Screen are trademarks of Sony Corporation.

## Owner's Record

The model and serial numbers are located at the rear of the projection TV, below the Sony logo, on the sticker, and also on the TV box (white label). Record these numbers in the spaces provided below. Refer to them whenever you call upon your Sony dealer regarding this product.

Model No. \_\_\_\_\_

Serial No. \_\_\_\_\_

## CAUTION

**How to reduce the risk of "Image Retention" on your Projection TV**

**Bright, stationary images such as TV station logos displayed on your TV can cause permanent damage to your TV, resulting in retention of the image in the picture. Please take the following steps to reduce the risk of causing image retention:**

**View a variety of program sources or programming material.**

**Image retention can occur when bright stationary images such as TV station logos are viewed. Changing the program material viewed reduces the possibility that a single image will become imprinted on the picture tubes in your TV.**

**When viewing programs with stationary images, adjust the picture setting to reduce the "Picture" and "Brightness" levels. Image retention is accelerated by higher "Brightness" and higher "Picture" settings.**

**Please see page 72 for instructions on adjusting picture settings.**

**This will help you reduce the risk of causing image retention.**

**IMAGE RETENTION IS NOT COVERED BY YOUR WARRANTY**

# IMPORTANT SAFEGUARDS

For your protection, please read these instructions completely, and keep this manual for future reference.

Carefully observe and comply with all warnings, cautions and instructions placed on the set or described in the operating instructions or service manual.

## WARNING

To guard against injury, the following basic safety precautions should be observed in the installation, use and servicing of the set.

## Use

### Power Sources

This set should be operated only from the type of power source indicated on the serial/model plate. If you are not sure of the type of electrical power supplied to your home, consult your dealer or local power company. For those sets designed to operate from battery power, refer to the operating instructions.



### Grounding or Polarization

This set is equipped with a polarized AC power cord plug (a plug having one blade wider than the other), or with a three-wire grounding type plug (a plug having a third pin for grounding). Follow the instructions below:

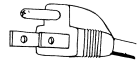
#### For the set with a polarized AC power cord plug

This plug will fit into the power outlet only one way. This is a safety feature. If you are unable to insert the plug fully into the outlet, try reversing the plug. If the plug still fails to fit, contact your electrician to have a suitable outlet installed. Do not defeat the safety purpose of the polarized plug by forcing it in.



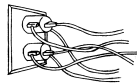
#### For the set with a three-wire grounding type AC plug

This plug will only fit into a grounding-type power outlet. This is a safety feature. If you are unable to insert the plug into the outlet, contact your electrician to have a suitable outlet installed. Do not defeat the safety purpose of the grounding plug.



## Overloading

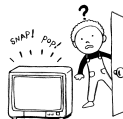
Do not overload wall outlets, extension cords or convenience receptacles beyond their capacity, since this can result in fire or electric shock.



Always turn the set off when it is not being used. When the set is left unattended and unused for long periods of time, unplug it from the wall outlet as a precaution against the possibility of an internal malfunction that could create a fire hazard.



If a snapping or popping sound from a TV set is continuous or frequent while the TV is operating, unplug the TV and consult your dealer or service technician. It is normal for some TV sets to make occasional snapping or popping sounds, particularly when being turned on or off.



## Object and Liquid Entry

Never push objects of any kind into the set through the cabinet slots as they may touch dangerous voltage points or short out parts that could result in a fire or electric shock. Never spill liquid of any kind on the set.



## Cleaning

Clean the cabinet of the projection TV with a dry soft cloth. To remove dust from the screen, wipe it gently with a soft cloth. Stubborn stains may be removed with a cloth slightly dampened with a solution of mild soap and warm water. Never use strong solvents such as thinner or benzene for cleaning.



If the picture becomes dark after using the projection TV for a long period of time, it may be necessary to clean the inside of the projection TV. Consult qualified service personnel.

## Attachments

Do not use attachments not recommended by the manufacturer, as they may cause hazards.



## Installation

### Water and Moisture

Do not use power-line operated sets near water — for example, near a bathtub, washbowl, kitchen sink, or laundry tub, in a wet basement, or near a swimming pool, etc.



## Accessories

Do not place the set on an unstable cart, stand, table or shelf. The set may fall, causing serious injury to a child or an adult and serious damage to the set. Use only a cart or stand recommended by Sony for the specific model of TV. No part of the TV set should overhang any edge of the TV cart or stand; any overhanging edge is a safety hazard. An appliance and cart combination should be moved with care. Quick stops, excessive force, and uneven surfaces may cause the appliance and cart combination to overturn.



## Ventilation

The slots and openings in the cabinet and in the back or bottom are provided for necessary ventilation. To ensure reliable operation of the set, and to protect it from overheating, these slots and openings must never be blocked or covered.

- ❑ Never cover the slots and openings with a cloth or other materials.
- ❑ Never block the slots and openings by placing the set on a bed, sofa, rug or other similar surface.
- ❑ Never place the set in a confined space, such as a bookcase or built-in cabinet, unless proper ventilation is provided.
- ❑ Do not place the set near or over a radiator or heat register, or where it is exposed to direct sunlight.



## Power-Cord Protection

Do not allow anything to rest on or roll over the power cord, and do not place the set where the power cord is subject to wear or abuse.



## Antennas

### Outdoor Antenna Grounding

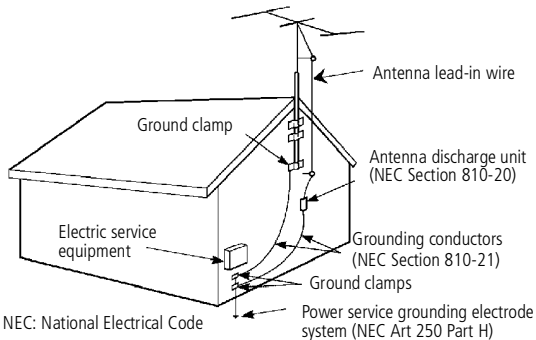
If an outdoor antenna is installed, follow the precautions below. An outdoor antenna system should not be located in the vicinity of overhead power lines or other electric light or power circuits, or where it can come in contact with such power lines or circuits.

**WHEN INSTALLING AN OUTDOOR ANTENNA SYSTEM, EXTREME CARE SHOULD BE TAKEN TO KEEP FROM CONTACTING SUCH POWER LINES OR CIRCUITS AS CONTACT WITH THEM IS ALMOST INVARIABLY FATAL.**

Be sure the antenna system is grounded so as to provide some protection against voltage surges and built-up static charges.

Section 810 of the National Electrical Code (NEC) in USA and Section 54 of the Canadian Electrical Code in Canada provides information with respect to proper grounding of the mast and supporting structure, grounding of the lead-in wire to an antenna discharge unit, size of grounding conductors, location of antenna discharge unit, connection to grounding electrodes, and requirements for the grounding electrode.

### Antenna Grounding According to the National Electrical Code, ANSI/NFPA 70



NEC: National Electrical Code

## Lightning

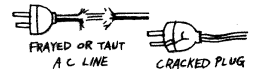
For added protection for this television receiver during a lightning storm, or when it is left unattended and unused for long periods of time, unplug it from the wall outlet and disconnect the antenna. This will prevent damage to the receiver due to lightning and power-line surges.

## Service

### Damage Requiring Service

Unplug the set from the wall outlet and refer servicing to qualified service personnel under the following conditions:

- ❑ When the power cord or plug is damaged or frayed.
- ❑ If liquid has been spilled into the set.
- ❑ If the set has been exposed to rain or water.
- ❑ If the set has been subject to excessive shock by being dropped, or the cabinet has been damaged.
- ❑ If the set does not operate normally when following the operating instructions. Adjust only those controls that are specified in the operating instructions. Improper adjustment of other controls may result in damage and will often require extensive work by a qualified technician to restore the set to normal operation.
- ❑ When the set exhibits a distinct change in performance, it indicates a need for service.



### Servicing

Do not attempt to service the set yourself since opening the cabinet may expose you to dangerous voltage or other hazards. Refer all servicing to qualified service personnel.



### Replacement Parts

When replacement parts are required, be sure the service technician certifies in writing that he has used replacement parts specified by the manufacturer that have the same characteristics as the original parts.

Unauthorized substitutions may result in fire, electric shock or other hazards.

### Safety Check

Upon completion of any service or repairs to the set, ask the service technician to perform routine safety checks (as specified by the manufacturer) to determine that the set is in safe operating condition, and to so certify. When the set reaches the end of its useful life, improper disposal could result in a picture tube implosion. Ask a qualified service technician to dispose of the set.

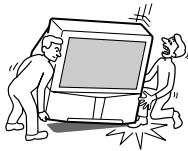


## For Safety

### Be careful when moving the projection TV

When you place the projection TV in position, be careful not to drop it on your foot or fingers.

Watch your footing while installing the projection TV.



### Carry the projection TV in the specified manner

If you carry the projection TV in a manner other than the specified manner and without the specified number of persons, it may drop and a serious injury may be caused. Be sure to follow the instructions mentioned below.

- Carry the projection TV with the specified number of persons (see “Carrying Your Projection TV” on page 12).
- Do not carry the projection TV holding the speaker grill.
- Hold the projection TV tightly when carrying it.

The projection TV includes handles that you can use to carry the unit.



# Contents

## **Introducing the Projection TV**

<b>Welcome</b> .....	<b>9</b>
Package Contents.....	9
Features .....	9

## **Setting Up the TV**

<b>Overview</b> .....	<b>11</b>
<b>Carrying Your Projection TV</b> .....	<b>12</b>
<b>Installing the TV</b> .....	<b>12</b>
<b>TV Controls and Connectors</b> .....	<b>13</b>
Front Video Controls .....	13
KP-57/65WV600 Front Panel .....	14
KP-57/65WV700 Front Panel .....	15
Rear Panel .....	16
<b>Basic Connections: Connecting a Cable or Antenna</b> .....	<b>18</b>
Cable or Antenna Only .....	19
Cable and Antenna Only .....	20
Cable Box and Cable Only .....	22
Cable Box Only .....	24
<b>Connecting Optional Equipment</b> .....	<b>25</b>
About Using S VIDEO .....	25
VCR and Cable .....	26
VCR and Cable Box .....	28
Two VCRs for Tape Editing .....	30
Satellite Receiver .....	32
Satellite Receiver and VCR .....	34
DVD Player with Component Video Connectors.....	36
DVD Player with S VIDEO and Audio Connectors .....	38
Digital TV Set-Top Box with Component Video Connectors.....	39
Camcorder .....	40
Audio Receiver .....	41
<b>Using the CONTROL S Feature</b> .....	<b>42</b>
<b>Setting Up the Channel List</b> .....	<b>43</b>
Using Auto Setup .....	43
<b>Adjusting the Convergence Automatically (Flash Focus)</b> .....	<b>44</b>
<b>Adjusting the Convergence Manually</b> .....	<b>45</b>
Notes on Adjusting the Convergence Manually.....	46

## **Using the Remote Control**

<b>Overview</b> .....	<b>47</b>
<b>Inserting Batteries</b> .....	<b>47</b>
<b>Button Descriptions</b> .....	<b>48</b>
<b>Programming the Remote Control</b> .....	<b>51</b>
<b>Using Other Equipment with Your TV Remote Control</b> .....	<b>53</b>



## Using the Features

<b>Overview</b> .....	<b>55</b>
<b>Watching TV</b> .....	<b>56</b>
<b>Using the Scrolling Index</b> .....	<b>57</b>
<b>Using Wide Mode</b> .....	<b>58</b>
<b>Using Twin View</b> .....	<b>59</b>
Displaying Twin Pictures .....	59
Factors Affecting Twin View .....	59
Activating the Picture .....	60
Changing the Picture Size .....	61
<b>Using Favorite Channels</b> .....	<b>62</b>
Creating a List of Favorite Channels .....	62
Displaying a List of Favorite Channels .....	62
<b>Using the Freeze Function</b> .....	<b>63</b>
<b>Using the Memory Stick Picture Viewer</b> .....	<b>64</b>
About Memory Stick .....	64
Supported Image Types .....	64
Unsupported Image Types .....	65
Inserting and Removing a Memory Stick .....	66
Displaying the Memory Stick Menu .....	67
Using the Memory Stick Index .....	68
Using the Memory Stick Slideshow .....	69
Changing the Memory Stick Setup Options .....	69
Using the Rotate Picture Screen .....	70

## Using the Menus

<b>Overview</b> .....	<b>71</b>
<b>Navigating Through Menus</b> .....	<b>71</b>
<b>Using the Video Menu</b> .....	<b>72</b>
<b>Using the Audio Menu</b> .....	<b>74</b>
<b>Using the Screen Menu</b> .....	<b>76</b>
<b>Using the Channel Menu</b> .....	<b>78</b>
<b>Using the Parent Menu</b> .....	<b>80</b>
<b>Using the Setup Menu</b> .....	<b>83</b>

## Other Information

<b>Overview</b> .....	<b>87</b>
<b>Glossary</b> .....	<b>88</b>
<b>Notes on Using Memory Stick Media</b> .....	<b>89</b>
<b>Contacting Sony</b> .....	<b>90</b>
<b>Troubleshooting</b> .....	<b>90</b>
<b>Specifications</b> .....	<b>95</b>
<b>Optional Accessories</b> .....	<b>96</b>
<b>Index</b> .....	<b>97</b>

# Introducing the Projection TV

## Welcome

Thank you for purchasing the Sony Projection TV. This manual is to be used with the following models:

- ❑ KP-57WV600
- ❑ KP-65WV600
- ❑ KP-57WV700
- ❑ KP-65WV700

---

## Package Contents

Along with your new projection TV, the package contains a remote control and two AA batteries. No additional cables are included. These items are all you need to set up and operate the projection TV in its basic configuration.

Most components (VCRs, DVD players, etc.) come with the necessary cables to connect them. If you want to set up a complex system, you may need to buy extra cables, connectors, etc. Be sure to have these on hand before you start to connect your system.

---

## Features

Some of the features that you will enjoy with your new TV include:

- ❑ **Wide Screen Mode:** Watch conventional 4:3 aspect ratio broadcasts in wide screen (16:9) mode.
- ❑ **DRC® (Digital Reality Creation) Multifunction V1:** Unlike conventional line doublers, the DRC Multifunction feature replaces the signal's NTSC waveform with the near-HD equivalent, while doubling the number of vertical and horizontal lines. This results in four times the density for quality sources, such as DVD, satellite, and digital camcorders. The Video Menu allows you to select interlaced, progressive, or CineMotion™ output. The DRC Palette option lets you customize the level of detail (Reality) and smoothness (Clarity) to create up to three custom palettes.
- ❑ **Scrolling Index:** Lets you preview and select programs from a scrolling index of video pictures.
- ❑ **Favorite Channels:** Allows you to preview and select from eight of your favorite channels.

- ❑ **Twin View™**: Using the Multi-Image Driver (MIDX), Twin View allows you to watch two programs side by side, with the ability to zoom in one picture. You can watch pictures from two different sources (1080i, 720p, 480p, and 480i) simultaneously. (Only the left Twin View window can display 1080i, 720p, and 480p sources.)
- ❑ **ClearEdge VM™ Velocity Modulation**: Sharpens picture definition by enhancing vertical lines.
- ❑ **Uniform Brightness Screen™** (*KP-57/65WV700 only*): Special optical technology expands the vertical viewing angle to nearly double that of other rear projection televisions.
- ❑ **Steady Sound®**: Equalizes volume levels so there is consistent output between programs and commercials.
- ❑ **Memory Stick® Picture Viewer**: Allows you to view on your TV screen digital images that are stored on Memory Stick media.
- ❑ **Component Video Inputs**: Offers the best video quality for DVD (480p, 480i), and digital set-top box (HD1080i, 720p) connections.
- ❑ **HD Detailer™**: Wideband video amplifier has a high bandwidth frequency rating, which allows it to send more video information to the screen, resulting in finer picture quality, especially for HD sources.
- ❑ **CineMotion™**: Reverse 3-2 pulldown processing provides optimal picture quality for film-based sources (media originally shot in 24 frames-per-second format).
- ❑ **Parental Control**: V-Chip technology allows parents to block unsuitable programming from younger viewers.
- ❑ **Digital Visual Interface (DVI)**: Can accommodate a copy-protected digital connection (HDCP\*) to other devices (such as digital set-top boxes) that have compatible interfaces. The DVI-HDTV input terminal is compliant with the EIA-861 standard and is not intended for use with personal computers.

---

\*High-bandwidth Digital Content Protection

# Setting Up the TV

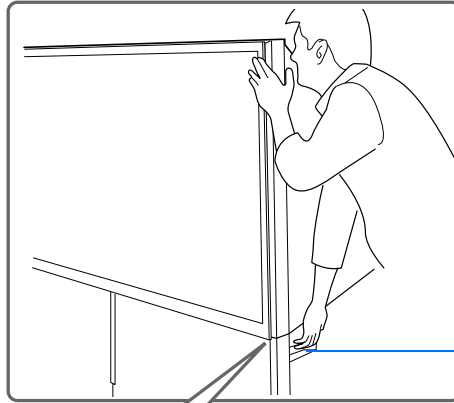
## Overview

This chapter includes illustrated instructions for setting up your TV.

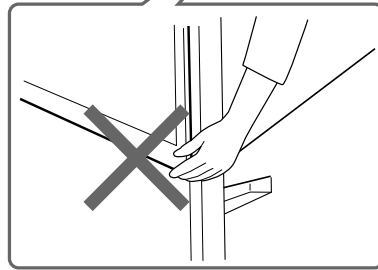
<i>Topic</i>	<i>Page(s)</i>
Carrying Your Projection TV	12
Installing the TV	12
TV Controls and Connectors	13-17
Basic Connections: Connecting a Cable or Antenna	18-24
Connecting Optional Equipment	
VCR and Cable	26
VCR and Cable Box	28
Two VCRs for Tape Editing	30
Satellite Receiver	32
Satellite Receiver and VCR	34
DVD Player with Component Video Connectors	36
DVD Player with S VIDEO and Audio Connectors	38
Digital TV Set-Top Box with Component Video Connectors	39
Camcorder	40
Audio Receiver	41
Using the CONTROL S Feature	42
Setting Up the Channel List	43
Adjusting the Convergence Automatically (Flash Focus)	44
Adjusting the Convergence Manually	45

## Carrying Your Projection TV

Carrying the TV requires four or more people. The TV is equipped with casters for easy movement on a hard surface. Be sure to move your projection TV using the casters. The TV includes handles that you can use to carry the unit.

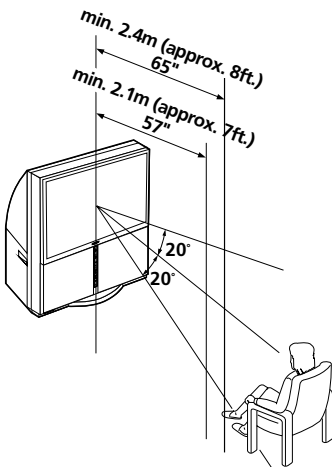


Handle (one on each side)

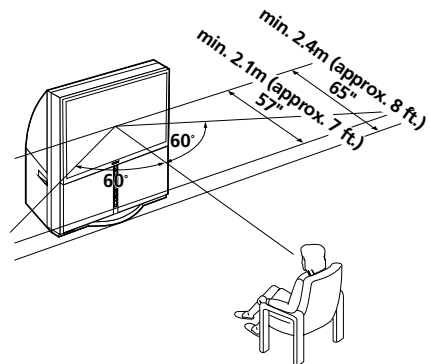


Do not carry the TV by placing hands under the front screen

## Installing the TV



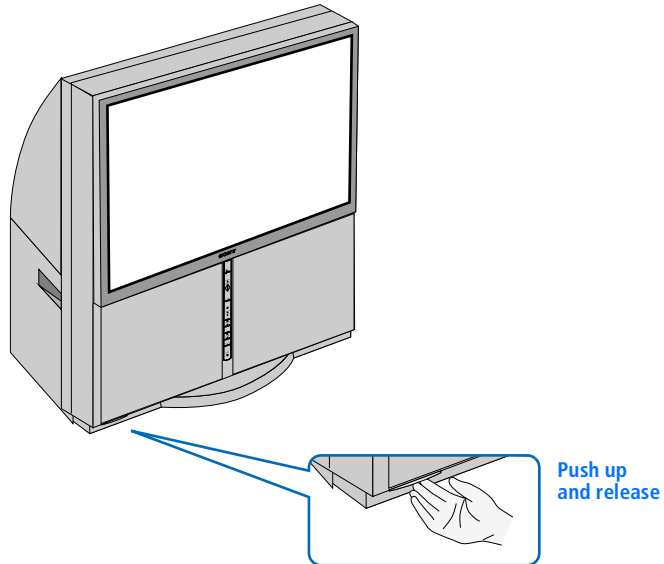
Recommended Vertical Viewing Angle



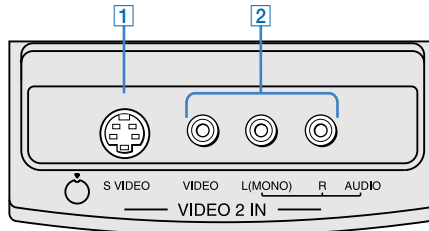
Recommended Horizontal Viewing Angle

## TV Controls and Connectors

To access the front video panel, push up and then release. The panel drops down automatically (KP-57/65WV700 shown).



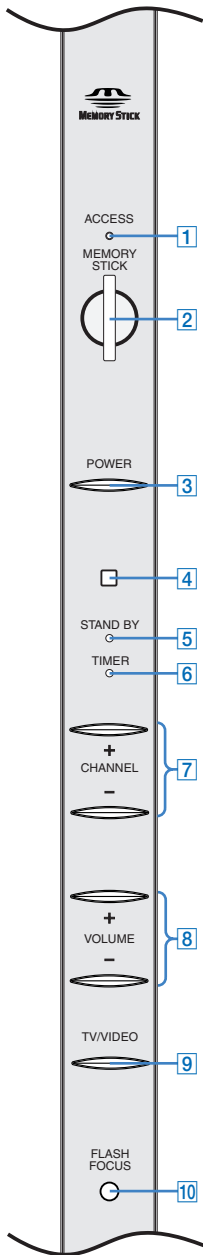
### Front Video Controls



- |  |  |
|--|--|
| <b>1</b> S VIDEO VIDEO 2 INPUT               | Connects to the S VIDEO OUT jack on your camcorder or other video equipment that has S VIDEO. Provides better picture quality than composite video ( <b>2</b> ). |
| <b>2</b> VIDEO/L(MONO)-AUDIO-R VIDEO 2 INPUT | Connects to the composite A/V output jacks on your camcorder or other video equipment.   |

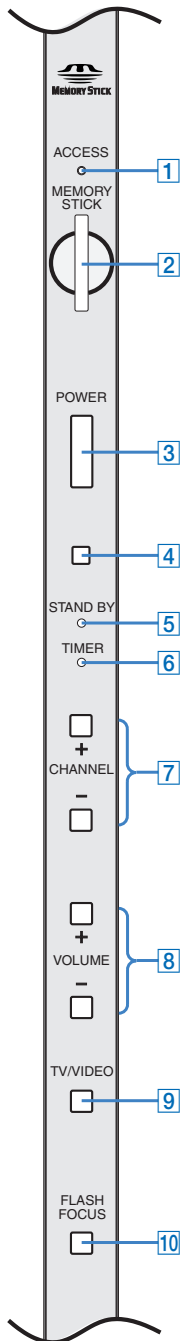


## KP-57/65WV600 Front Panel



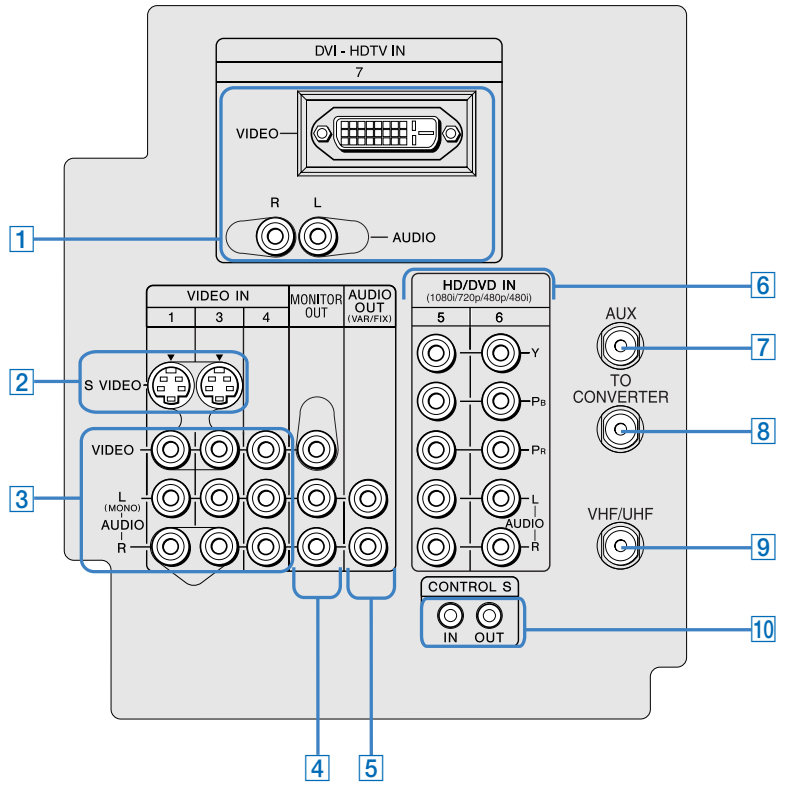
Item	Description
<b>1</b> MEMORY STICK ACCESS LED	When lit, indicates that the Memory Stick is being read. (Do not remove the Memory Stick when the indicator is lit.)
<b>2</b> MEMORY STICK	Memory Stick insertion slot. For details, see “Inserting and Removing a Memory Stick” on page 66.
<b>3</b> POWER	Press to turn on and off the TV.
<b>4</b> Infrared Receiver (IR)	Receives IR signals from the TV’s remote control.
<b>5</b> STAND BY LED	Blinks when the TV is turned on, then shuts off when the picture is displayed. If the LED blinks continuously, this may indicate the TV needs service (see “Contacting Sony” on page 90).
<b>6</b> TIMER LED	When lit, indicates one of the timers is set. When the timer is set, this LED will remain lit even if the TV is turned off. For details, see page 84.
<b>7</b> -CHANNEL+	Press to scan through channels. To scan quickly through channels, press and hold down either CHANNEL button.
<b>8</b> -VOLUME +	Press to adjust the volume.
<b>9</b> TV/VIDEO	Press repeatedly to cycle through the video equipment connected to the TV’s video inputs.
<b>10</b> FLASH FOCUS	Press to adjust the convergence (see page 44).

## KP-57/65WV700 Front Panel



Item	Description
<b>1</b> MEMORY STICK ACCESS LED	When lit, indicates that the Memory Stick is being read. (Do not remove the Memory Stick when the indicator is lit.)
<b>2</b> MEMORY STICK	Memory Stick insertion slot. For details, see “Inserting and Removing a Memory Stick” on page 66.
<b>3</b> POWER	Press to turn on and off the TV.
<b>4</b> Infrared Receiver (IR)	Receives IR signals from the TV’s remote control.
<b>5</b> STAND BY LED	Blinks when the TV is turned on, then shuts off when the picture is displayed. If the LED blinks continuously, this may indicate the TV needs service (see “Contacting Sony” on page 90).
<b>6</b> TIMER LED	When lit, indicates one of the timers is set. When the timer is set, this LED will remain lit even if the TV is turned off. For details, see page 84.
<b>7</b> -CHANNEL+	Press to scan through channels. To scan quickly through channels, press and hold down either CHANNEL button.
<b>8</b> -VOLUME +	Press to adjust the volume.
<b>9</b> TV/VIDEO	Press repeatedly to cycle through the video equipment connected to the TV’s video inputs.
<b>10</b> FLASH FOCUS	Press to adjust the convergence (see page 44).

# Rear Panel



Jack	Description
<a href="#">1</a> DVI-HDTV VIDEO AUDIO R/L (VIDEO 7 IN)	Can accommodate a copy-protected digital connection (HDCP*) to other devices (such as digital set-top boxes) that have compatible interfaces. The DVI-HDTV input terminal is compliant with the EIA-861 standard and is not intended for use with personal computers. See the instruction manual that came with your equipment for details about connecting and using it with the TV.
<a href="#">2</a> S VIDEO IN 1/3	Connects to the S VIDEO OUT jack of your VCR or other video equipment that has S VIDEO. S VIDEO provides better picture quality than either composite video ( <a href="#">3</a> ) or VHF/UHF ( <a href="#">9</a> ) connections.
<a href="#">3</a> VIDEO IN 1/3/4 VIDEO/L(MONO) -AUDIO-R	Connect to the composite A/V output jacks on your VCR or other video component. A fourth component A/V input jack (VIDEO 2) is located on the front panel of the TV. These video connections provide better picture quality than the VHF/UHF ( <a href="#">9</a> ) connections.
<a href="#">4</a> MONITOR OUT	Lets you record the program you are watching to a VCR. When two VCRs are connected, you can use the TV as a monitor for tape-to-tape editing (not available with 480p, 720p, or 1080i when the input is set to VIDEO 5-7).
<a href="#">5</a> AUDIO OUT (VAR/FIX) L (MONO)/R	Connects to the left and right audio input jacks of your audio or video equipment. You can use these outputs to listen to your TV's audio through your stereo system.
<a href="#">6</a> HD/DVD IN 5/6 (1080i/720p/480p/480i)	Connect to your DVD player's or digital set-top box's component video (Y, PB, PR) and audio (L/R) jacks. Component video provides better picture quality than <a href="#">2</a> , <a href="#">3</a> , or <a href="#">9</a> .
<a href="#">7</a> AUX	Auxiliary RF input that connects to your antenna, CATV cable, or cable box output jack. This is convenient if you are using two VHF/UHF sources (antenna, CATV cable, or cable box). For details, see pages 20 to 23.
<a href="#">8</a> TO CONVERTER	Connects to your cable box input jack. This VHF/UHF output jack lets you set up your TV to switch between scrambled channels (coming through a cable box) and unscrambled cable channels. Use this jack instead of a splitter to get better picture quality when you need to switch between scrambled and unscrambled cable channels. For details, see pages 22 to 23.
<a href="#">9</a> VHF/UHF	Primary RF input that connects to your VHF/UHF antenna or cable.
<a href="#">10</a> CONTROL S IN/OUT	Allows the TV to receive (IN) and send (OUT) remote control signals to other Sony infrared-controlled audio or video equipment that has the CONTROL S function.

\*High-bandwidth Digital Content Protection

## Basic Connections: Connecting a Cable or Antenna

The way in which you will connect your TV varies, depending on how your home receives a signal (cable, cable box, antenna) and whether or not you plan to connect a VCR.

<i>If You Are Connecting</i>	<i>See Page</i>
<b>Cable or Antenna Only</b>	19
<input type="checkbox"/> No cable box or VCR	
<b>Cable and Antenna Only</b>	20
<input type="checkbox"/> No cable box or VCR	
<b>Cable Box and Cable Only</b>	22
<input type="checkbox"/> Cable box unscrambles only some channels (usually premium channels)	
<input type="checkbox"/> No VCR	
<b>Cable Box Only</b>	24
<input type="checkbox"/> Cable box unscrambles all channels	
<input type="checkbox"/> No VCR	

### **If you are connecting a VCR**

- See the connections described on pages 26 and 28.

## Cable or Antenna Only

For best results, use one of the following connections if you are connecting a cable or an antenna and you:

- ❑ Do not need a cable box to unscramble channels. (If you have a cable box, see pages 22-24.)
- ❑ Do not intend to connect a VCR. (If you have a VCR, see pages 26 and 28.)

The connection you choose depends on the cable type you have in your home, as described below.

### 75-ohm coaxial cable (usually found in newer homes)

#### Cable Type

#### Connect As Shown

VHF Only or  
combined  
VHF/UHF or  
Cable

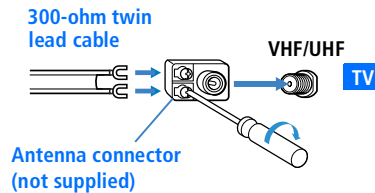


### 300-ohm twin lead cable (usually found in older homes)

#### Cable Type

#### Connect As Shown

VHF Only or  
UHF Only or  
combined  
VHF/UHF

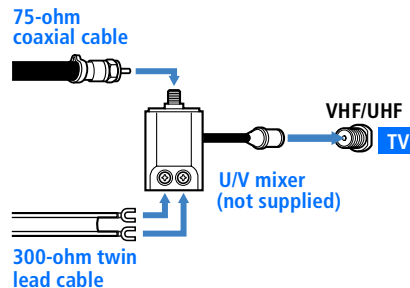


### 75-ohm coaxial and 300-ohm twin lead cable (found in some homes)

#### Cable Type

#### Connect As Shown

VHF and UHF

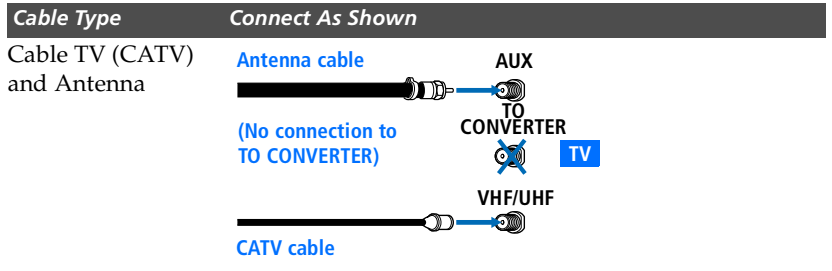




## Cable and Antenna Only

For best results, use this connection if you:

- ❑ Have a cable and an antenna.  
(This is convenient if you are using a separate rooftop antenna to receive additional channels that are not provided by your cable company.)
- ❑ Do not have a cable box or VCR. (If you have a cable box, see pages 22 to 24. If you have a VCR, see pages 26 and 28.)



### About Using This Connection with Dual Picture (Twin View, etc.) Features

With this connection, you cannot view antenna channels in the right dual picture window.

## Notes on Using This Connection

To Do This ...	Do This ...
Switch the TV's input between the cable and antenna	Press <b>ANT</b> to switch back and forth between the TV's VHF/UHF and AUX inputs.
Receive channels using an antenna, instead of the cable	<ol style="list-style-type: none"><li>1 Press <b>ANT</b> to switch to the AUX input.</li><li>2 Set the <b>Cable</b> option to <b>Off</b>. For details, see "Selecting Channel Options" on page 78.</li><li>3 Run the Auto Setup program, as described in "Using Auto Setup" on page 43.</li></ol>

## **Cable Box and Cable Only**

### **For best results, use this connection if:**

- ❑ Your cable company scrambles some channels, such as premium channels (which requires you to use a cable box), but does not scramble all channels.
- ❑ You do not have a VCR. (If you have a VCR, see pages 26 and 28.)

### **With this connection you can:**

- ❑ Use the TV remote control to change channels coming through the cable box to the TV's AUX input jack. (You must first program the remote control for your specific cable box; see "Programming the Remote Control" on page 51.)
- ❑ Use the TV remote control to change channels coming directly into the TV's VHF/UHF input. (The TV's tuner provides a better signal than the cable box.)

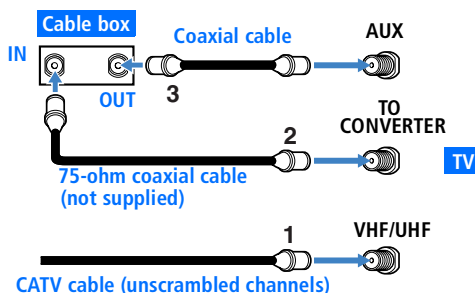
### **About Using This Connection with Dual Picture (Twin View, etc.) Features**

With this connection, you can use all the dual picture features for unscrambled channels coming directly into the TV's VHF/UHF input jack.

However, you can use only some of the dual picture features for channels coming through the cable box to the TV's AUX input jack. For example, when you switch the TV's input to AUX — to select the cable box input — the picture displays only in the left window. For example, if you turn on Twin View, you can watch cable channels coming into the VHF/UHF jack in the right window, but you cannot swap the pictures between the left and right windows.

### To connect the cable box and cable

- 1 Connect the cable from your cable company to the TV's VHF/UHF jack.
- 2 Use a coaxial cable to connect the TV's TO CONVERTER jack to the cable box's input jack. (The TV's internal converter lets you switch between unscrambled signals coming straight into the TV and scrambled signals coming in through the cable box, eliminating the need for an external splitter.)
- 3 Use a coaxial cable to connect the cable box's output jack to the TV's AUX jack.
- 4 Run the Auto Setup program, as described in "Setting Up the Channel List" on page 43.



### Notes on Using This Connection

To Do This ...	Do This ...
Use the cable box	Tune the TV to the channel the cable box is set to (usually channel 3 or 4) and then use the cable box to switch channels.
Set up the TV remote control to operate the cable box	Program the remote control. See "Programming the Remote Control" on pages 51-52.
Activate the remote control to operate the cable box	Press <b>SAT/CABLE FUNCTION</b> .
Prevent the accidental switching of TV channels	When using the cable box, you need the TV to stay on the channel the cable box is set to (usually channel 3 or 4). You can use the TV's Channel Fix feature to lock in a specific channel. For details, see "Using the Channel Menu" on page 78.
Switch the TV's input between the cable box and cable	Press <b>ANT</b> to switch back and forth between the TV's VHF/UHF (unscrambled channels) and AUX (scrambled) inputs.

## Cable Box Only

### For best results, use this connection if:

- ❑ Your cable company scrambles all channels, which requires you to use a cable box.
- ❑ You do not have a VCR. (If you have a VCR, see pages 26 and 28.)

### With this connection you can:

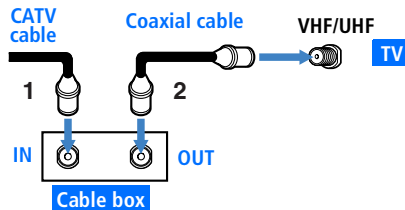
- ❑ Use the TV remote control to change channels coming through the cable box to the TV's VHF/UHF jack. (You must first program the remote control for your specific cable box.)

### About Using This Connection with Dual Picture (Twin View, etc.) Features

With this connection, all channels come to the TV through your cable box and only one unscrambled signal is sent to the TV, so you cannot use the dual picture features. If some of your channels are scrambled, but others are not, consider using the "Cable Box and Cable" connection on page 22 instead.

### To connect the cable box

- 1 Connect the CATV cable to the cable box's input jack.
- 2 Use a coaxial cable to connect the cable box's output jack to the TV's VHF/UHF jack.
- 3 Run the Auto Setup program, as described in "Setting Up the Channel List" on page 43.



### Notes on Using This Connection

To Do This ...	Do This ...
Use the cable box	Tune the TV to the channel the cable box is set to (usually channel 3 or 4) and then use the cable box to switch channels.
Set up the TV remote control to operate the cable box	Program the remote control. See "Programming the Remote Control" on pages 51-52.
Activate the remote control to operate the cable box	Press <b>SAT/CABLE FUNCTION</b> .
Prevent the accidental switching of TV channels	When using the cable box, you need the TV to stay on the channel the cable box is set to (usually channel 3 or 4). You can use the TV's Channel Fix feature to lock in a specific channel. For details, see "Using the Channel Menu" on page 78.

## Connecting Optional Equipment

Use the directions in this section to connect the following optional equipment:

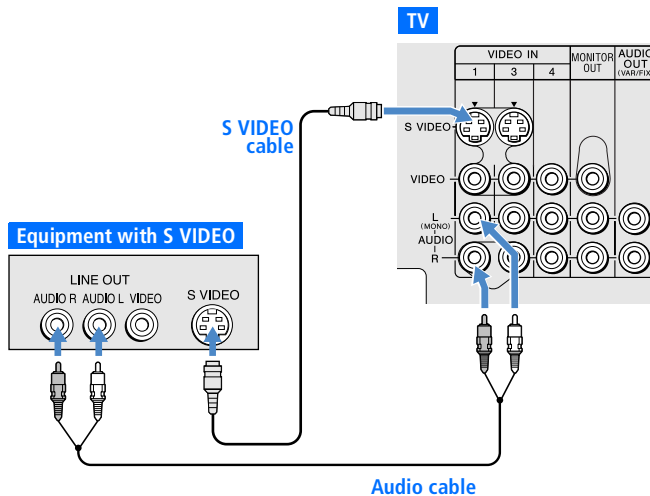
<i>If You Are Connecting</i>	<i>See Page</i>
VCR and Cable	26
VCR and Cable Box	28
Two VCRs for Tape Editing	30
Satellite Receiver	32
Satellite Receiver and VCR	34
DVD Player with Component Video Connectors	36
DVD Player with S VIDEO and Audio Connectors	38
Camcorder	40
Audio Receiver	41

### About Using S VIDEO



If the optional equipment you are connecting has an S VIDEO jack (shown at left), you can use an S VIDEO cable for improved picture quality (compared to an A/V cable). Because S VIDEO carries only the video signal, you also need to connect audio cables for sound, as shown below.

#### Example of an S VIDEO Connection



Cables are often color-coded to connectors. Connect red to red, white to white, etc.



## VCR and Cable

For best results, use this connection if:

- ❑ Your cable company does not require you to use a cable box.

### About Using This Connection with Dual Picture (Twin View, etc.) Features

With this connection, you can use all the dual picture features.

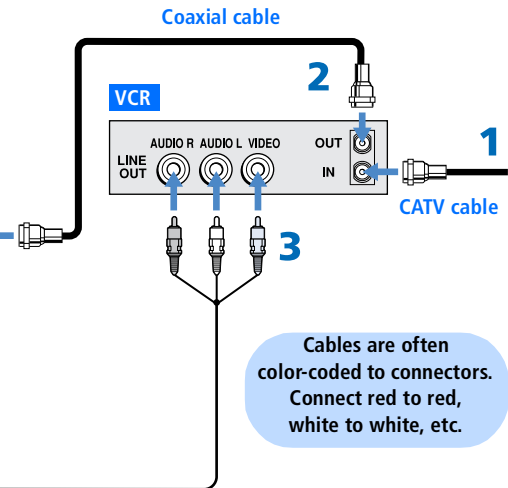
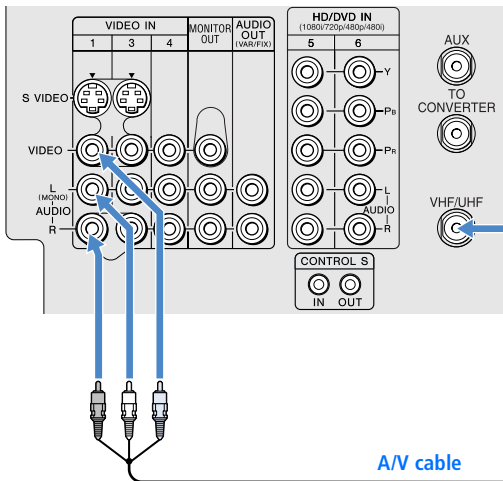
#### To connect the VCR and cable

- 1 Connect the CATV cable to the VCR's VHF/UHF input jack.
- 2 Use a coaxial cable to connect the VCR's VHF/UHF output jack to the TV's VHF/UHF jack.
- 3 Use an A/V cable to connect the VCR's A/V output jacks to the TV's A/V input jacks.
- 4 Run the Auto Setup program, as described in "Setting Up the Channel List" on page 43.



Using  
S VIDEO jacks?  
See page 25.

TV



Cables are often  
color-coded to connectors.  
Connect red to red,  
white to white, etc.

## Notes on Using This Connection

<i>To Do This ...</i>	<i>Do This ...</i>
Watch the VCR	Press <b>TV/VIDEO</b> repeatedly to select the VCR input (VIDEO 1 in the illustration).
Watch cable channels	Press <b>TV/VIDEO</b> repeatedly to select the cable input (VHF/UHF in the illustration).
Set up the TV remote control to operate the VCR	If you have a non-Sony VCR, you must program the remote control. See “Programming the Remote Control” on pages 51-52.
Activate the TV remote control to operate the VCR	Open the outside cover, as shown on page 50. Then set the A/V slide switch to the position you programmed for the VCR.
Control VCR functions with the TV remote control	See “Operating a VCR” on page 53.
Label video inputs to easily identify equipment connected to the TV	See the instructions for setting up Video Labels on pages 83-84.

## VCR and Cable Box

### For best results, use this connection if:

- ❑ Your cable company scrambles some channels, such as premium channels (which requires you to use a cable box), but does not scramble all channels.

### About Using This Connection with Dual Picture (Twin View, etc.) Features

With this connection, you can use all the dual picture features.

### With this connection you can:

- ❑ Use the TV remote control to change channels coming through the cable box. (You must first program the remote control for your specific cable box; see “Programming the Remote Control” on page 51.)
- ❑ Use the TV remote control to change channels coming directly into the TV’s VHF/UHF jack. (The TV’s tuner provides a better signal than the cable box.)
- ❑ Record channels coming through the cable box and channels coming directly into the TV.

### To connect a VCR and cable box, you need:

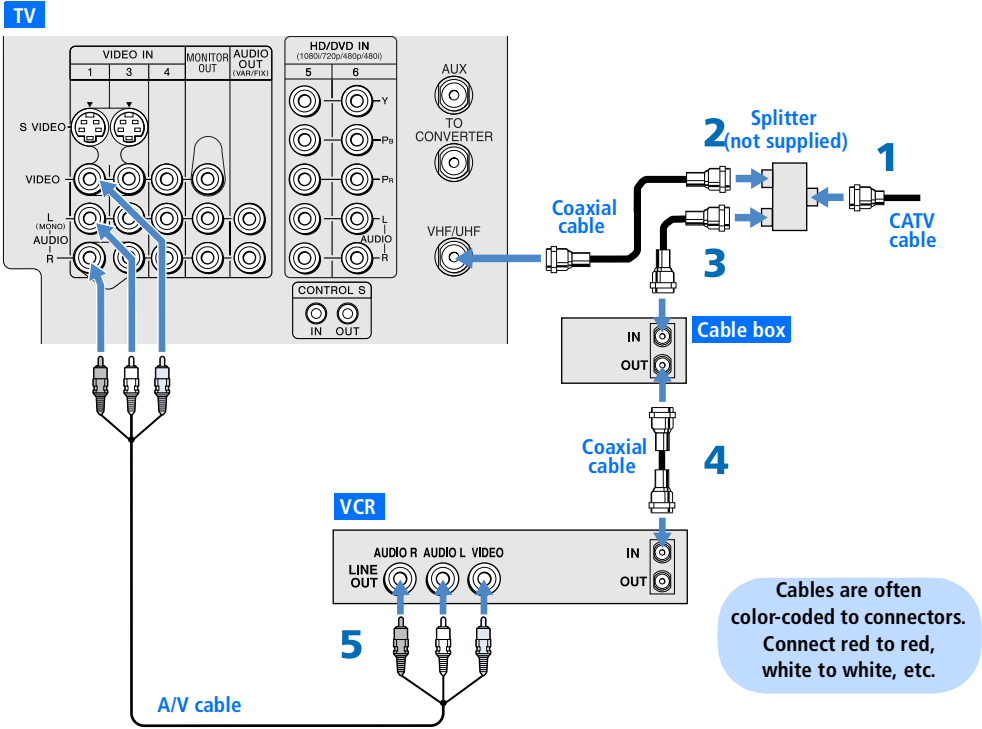
- ❑ A splitter, which is a small, inexpensive device that you can purchase at your local electronics store.
- ❑ Three coaxial cables.
- ❑ One A/V cable or one S VIDEO cable with audio cables.

### To connect the VCR and cable box

- 1 Connect the CATV cable to the single (input) jack of the splitter.
- 2 Use a coaxial cable to connect one of the splitter’s two output jacks to the TV’s VHF/UHF jack.
- 3 Use a coaxial cable to connect the splitter’s other output jack to the cable box’s input jack.
- 4 Use a coaxial cable to connect the cable box’s output jack to the VCR’s RF input jack.
- 5 Use an A/V cable to connect the VCR’s A/V output jacks to the TV’s A/V input jacks.
- 6 Run the Auto Setup program, as described in “Setting Up the Channel List” on page 43.



Using  
S VIDEO jacks?  
See page 25.



**Notes on Using This Connection**

To Do This ...	Do This ...
Watch cable (unscrambled) channels	Press <b>TV/VIDEO</b> repeatedly to select the cable input (UHF/VHF in the illustration).
Watch cable box (scrambled) channels	Turn on the VCR and tune it to the channel the cable box is set to (usually channel 3 or 4). Press <b>TV/VIDEO</b> repeatedly to select the VCR input (VIDEO 1 in the illustration). Use the cable box to change channels.
Watch the VCR	Press <b>TV/VIDEO</b> repeatedly to select the VCR input (VIDEO 1 in the illustration).
Set up the TV remote control to operate the cable box or VCR	If you have a non-Sony VCR, you must program the remote control. See "Programming the Remote Control" on pages 51-52.
Activate the remote control to operate the cable box or VCR	For the cable box, press <b>SAT/CABLE FUNCTION</b> . For the VCR, open the outside cover, as shown on page 50. Then set the A/V slide switch to the position you programmed for the VCR.
Control specific cable box and VCR functions with the TV remote control	See "Operating a Cable Box" on page 54 and "Operating a VCR" on page 53.
Label video inputs to easily identify equipment connected to the TV	See the instructions for setting up Video Labels on pages 83-84.

## Two VCRs for Tape Editing

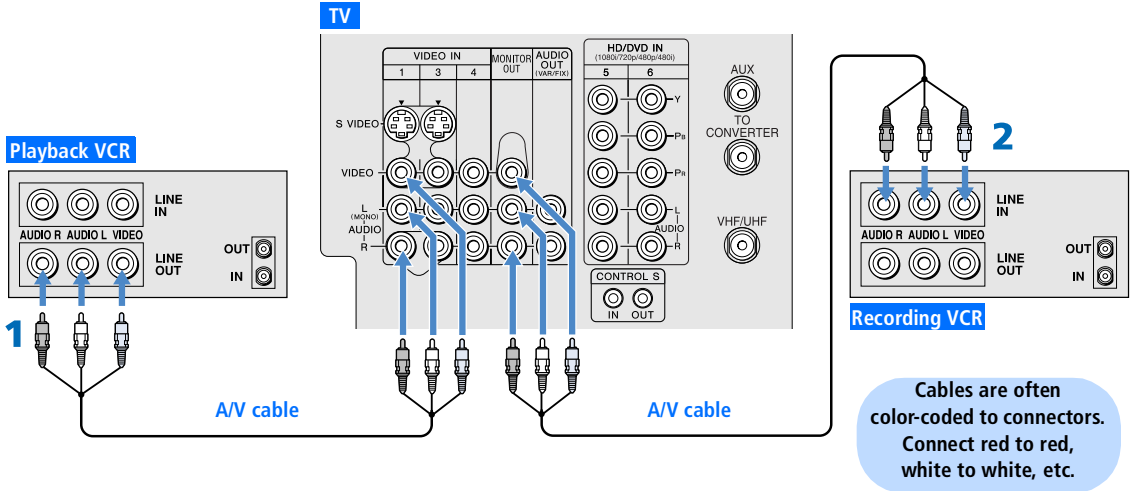


Using  
S VIDEO jacks?  
See page 25.

Connecting two VCRs lets you record from one VCR to the other. By connecting them as shown below, you can view (monitor) what is being recorded.

### To connect two VCRs for tape editing

- 1 Use an A/V cable to connect the playback VCR's A/V output jacks to the TV's A/V input jacks.
- 2 Use an A/V cable to connect the recording VCR's A/V input jacks to the TV's MONITOR OUT jacks.



## Notes on Using This Connection

<i>To Do This ...</i>	<i>Do This ...</i>
View (monitor) what is being recorded	Press <b>TV/VIDEO</b> repeatedly to select the VCR input (VIDEO 1 in the illustration above).
Set up the TV remote control to operate the VCR(s)	If you have a non-Sony VCR, you must program the remote control. See "Programming the Remote Control" on pages 51-52.
Activate the TV remote control to operate the VCR(s)	Open the outside cover, as shown on page 50. Then set the A/V slide switch to the position you programmed for the VCR.
Control VCR functions with the TV remote control	See "Operating a VCR" on page 53.
Label video inputs to easily identify equipment connected to the TV	See the instructions for setting up Video Labels on pages 83-84.



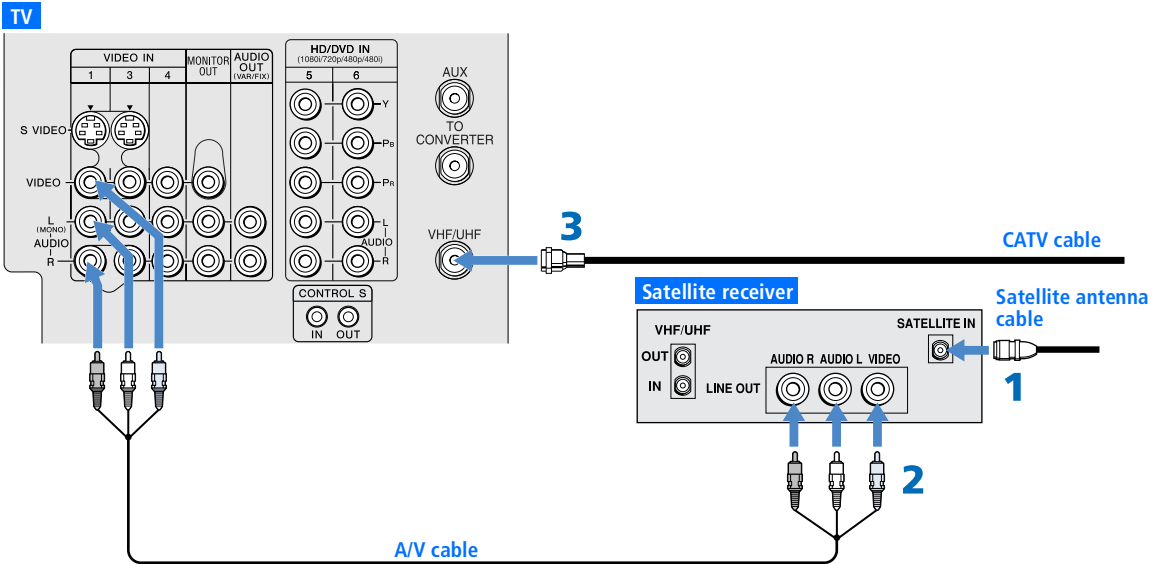
## Satellite Receiver



Using  
S VIDEO jacks?  
See page 25.

### To connect a satellite receiver

- 1 Connect the satellite antenna cable to the satellite receiver's satellite input jack.
- 2 Use an A/V cable to connect the satellite receiver's A/V output jacks to the TV's A/V input jacks.
- 3 Connect a CATV cable from your cable or antenna to the TV's VHF/UHF jack.
- 4 Run the Auto Setup program, as described in "Setting Up the Channel List" on page 43.



Cables are often color-coded to connectors. Connect red to red, white to white, etc.

## Notes on Using This Connection

To Do This ...	Do This ...
Watch the satellite receiver	Press <b>TV/VIDEO</b> repeatedly to select the satellite receiver input (VIDEO 1 in the illustration).
Set up the TV remote control to operate the satellite receiver	If you have a non-Sony satellite receiver, you must program the remote control. See "Programming the Remote Control" on pages 51-52.
Activate the TV remote control to operate the satellite receiver	Press <b>SAT/CABLE FUNCTION</b> .
Control satellite receiver functions with the TV remote control	See "Operating a Satellite Receiver" on page 53.
Label video inputs to easily identify equipment connected to the TV	See the instructions for setting up Video Labels on pages 83-84.

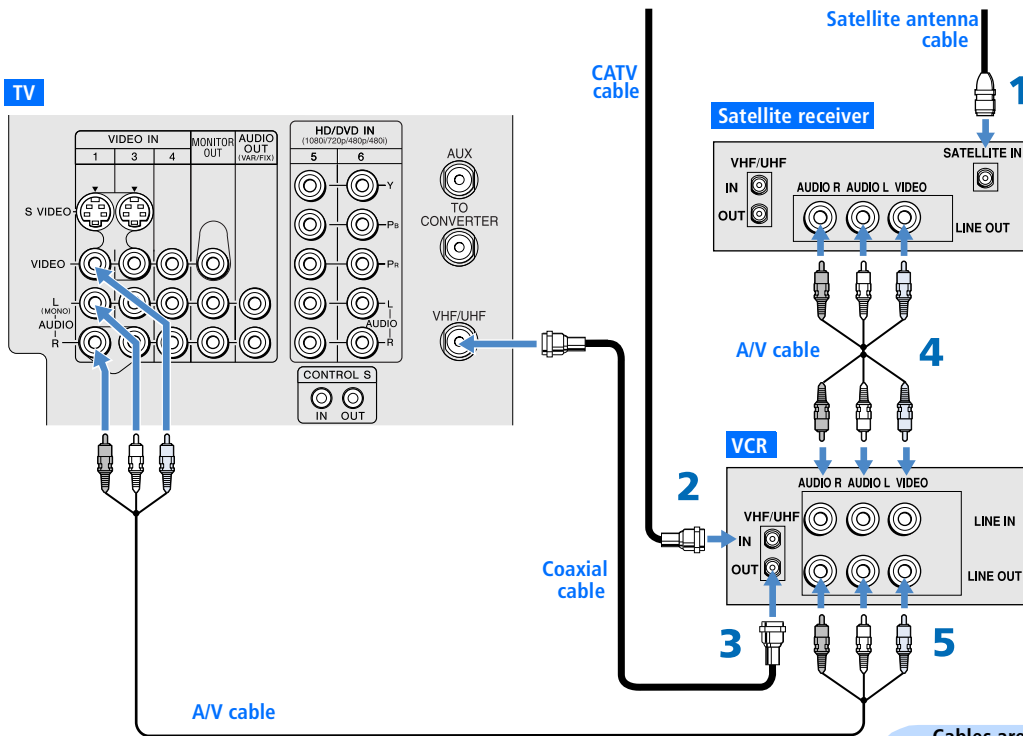
## Satellite Receiver and VCR



Using S VIDEO jacks? See page 25.

### To connect a satellite receiver and VCR

- 1 Connect the satellite antenna cable to the satellite receiver's satellite input jack.
- 2 Connect the CATV cable to the VCR's VHF/UHF input jack.
- 3 Use a coaxial cable to connect the VCR's VHF/UHF output jack to the TV's VHF/UHF jack.
- 4 Use an A/V cable to connect the satellite receiver's A/V output jacks to the VCR's A/V input jacks.
- 5 Use an A/V cable to connect the VCR's A/V output jacks to the TV's A/V input jacks.
- 6 Run the Auto Setup program, as described in "Setting Up the Channel List" on page 43.



Cables are often color-coded to connectors. Connect red to red, white to white, etc.

## Notes on Using This Connection


To Do This ...	Do This ...
Watch the satellite receiver	Press <b>TV/VIDEO</b> repeatedly to select the VCR input (VIDEO 1 in the illustration). The VCR may need to be turned on and set to the satellite receiver input.
Watch the VCR	Press <b>TV/VIDEO</b> repeatedly to select the input to which the VCR is connected (VIDEO 1 in the illustration).
Set up the TV remote control to operate the satellite receiver or VCR	If you have a non-Sony VCR or satellite receiver, you must program the remote control. See "Programming the Remote Control" on pages 51-52.
Activate the TV remote control to operate the satellite receiver or VCR	For the satellite receiver, press <b>SAT/CABLE FUNCTION</b> . For the VCR, open the outside cover, as shown on page 50. Then set the A/V slide switch to the position you programmed for the VCR.
Control satellite receiver and VCR functions with the TV remote control	See "Operating a Satellite Receiver" on page 53 and "Operating a VCR" on page 53.
Label video inputs to easily identify equipment connected to the TV	See the instructions for setting up Video Labels on pages 83-84.

## DVD Player with Component Video Connectors

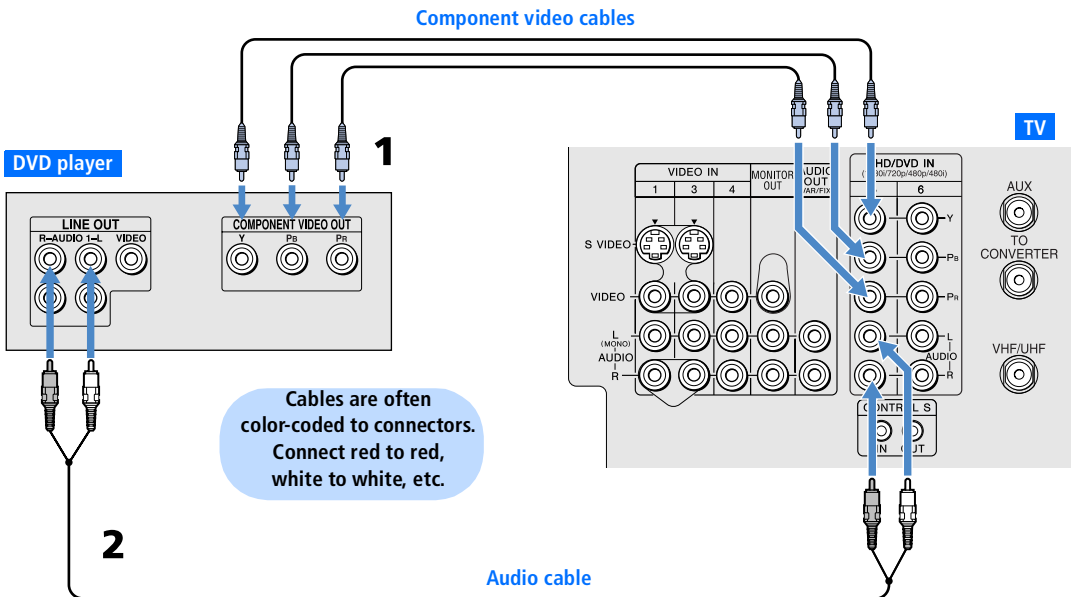
For best results, use this connection if your DVD player has component video (Y, P<sub>B</sub>, P<sub>R</sub>) jacks.

### To connect a DVD player with component video connectors

- 1 Use a component video cable, or three composite video cables, to connect the DVD player's Y, P<sub>B</sub> and P<sub>R</sub> jacks to the Y, P<sub>B</sub> and P<sub>R</sub> jacks (VIDEO 5) on the TV.


 The Y, P<sub>B</sub> and P<sub>R</sub> jacks on your DVD player are sometimes labeled Y, C<sub>B</sub> and C<sub>R</sub>, or Y, B-Y and R-Y. If so, connect the cables to like colors.

- 2 Use an audio cable to connect the DVD player's audio output jacks to the TV's VIDEO 5 audio input jacks.



## Notes on Using This Connection

To Do This ...	Do This ...
Watch the DVD player	Press <b>TV/VIDEO</b> repeatedly to select the DVD input (VIDEO 5 in the illustration).
Set up the TV remote control to operate the DVD player	If you have a non-Sony DVD player, you must program the remote control. See "Programming the Remote Control" on pages 51-52.
Activate the TV remote control to operate the DVD player	Open the outside cover, as shown on page 50. Then set the A/V slide switch to the position you programmed for the DVD player.
Control DVD functions with the TV remote control	See "Operating a DVD Player" on page 54.
Label video inputs to easily identify equipment connected to the TV	See the instructions for setting up Video Labels on pages 83-84.

 **You cannot record the signal from any equipment connected into the Y, PB, PR jacks.**



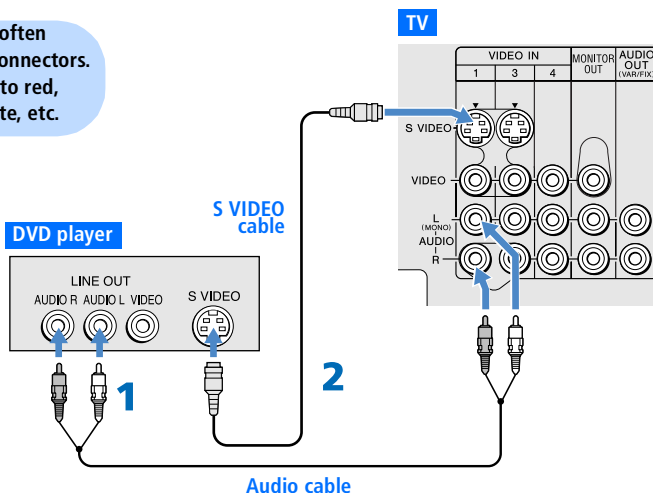
## DVD Player with S VIDEO and Audio Connectors

Use this connection if your DVD player does not have component video (Y, PB, PR) jacks.

### To connect a DVD player with A/V connectors

- 1 Use an audio cable to connect the DVD player's audio output jacks to the TV's audio input jacks.
- 2 Use an S VIDEO cable to connect the DVD player's S VIDEO jack to the TV's S VIDEO jack.

Cables are often color-coded to connectors. Connect red to red, white to white, etc.




### Notes on Using This Connection

To Do This ...	Do This ...
Watch the DVD player	Press <b>TV/VIDEO</b> repeatedly to select the DVD input (VIDEO 1 in the illustration).
Set up the TV remote control to operate the DVD player	If you have a non-Sony DVD player, you must program the remote control. See "Programming the Remote Control" on pages 51-52.
Activate the TV remote control to operate the DVD player	Open the outside cover, as shown on page 50. Then set the A/V slide switch to the position you programmed for the DVD player.
Control DVD functions with the TV remote control	See "Operating a DVD Player" on page 54.
Label video inputs to easily identify equipment connected to the TV	See the instructions for setting up Video Labels on pages 83-84.

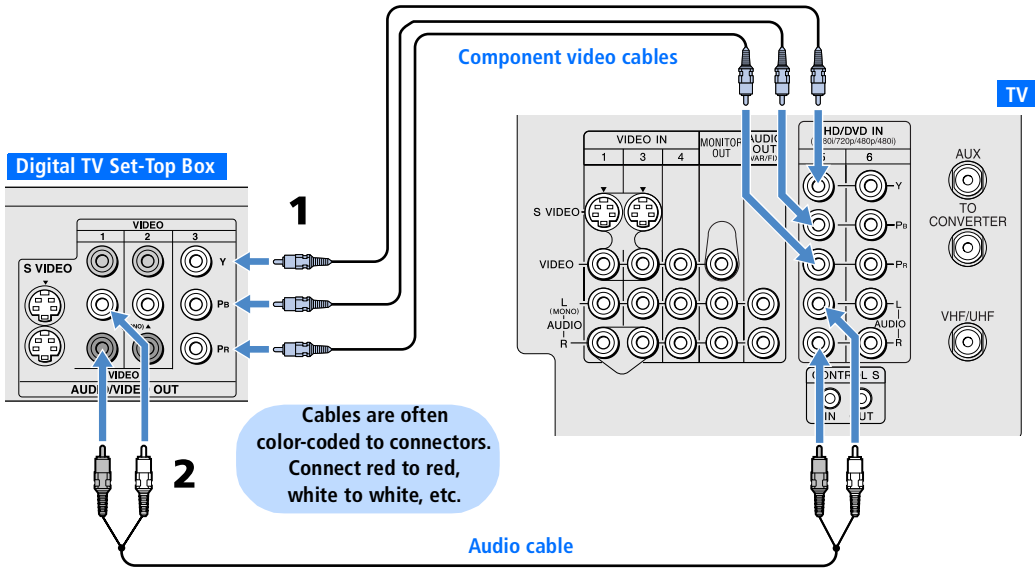
## Digital TV Set-Top Box with Component Video Connectors

To connect a digital TV set-top box with component video connectors

- 1 Use three separate component video cables to connect the DVD player's Y, PB and PR jacks to the Y, PB and PR jacks (VIDEO 5) on the TV.


 The Y, PB and PR jacks on your DVD player are sometimes labeled Y, CB and CR, or Y, B-Y and R-Y. If so, connect the cables to like colors.

- 2 Use an audio cable to connect the set-top box's audio output jacks to the TV's VIDEO 5 audio input jacks.



### Notes on Using This Connection

To Do This ...	Do This ...
Watch the digital TV set-top box	Press <b>TV/VIDEO</b> repeatedly to select the digital TV set-top box input (VIDEO 5 in the illustration).
Label video inputs to easily identify equipment connected to the TV	See the instructions for setting up Video Labels on pages 83-84.

 You cannot record the signal from any equipment connected into the Y, PB, PR jacks.

## Camcorder

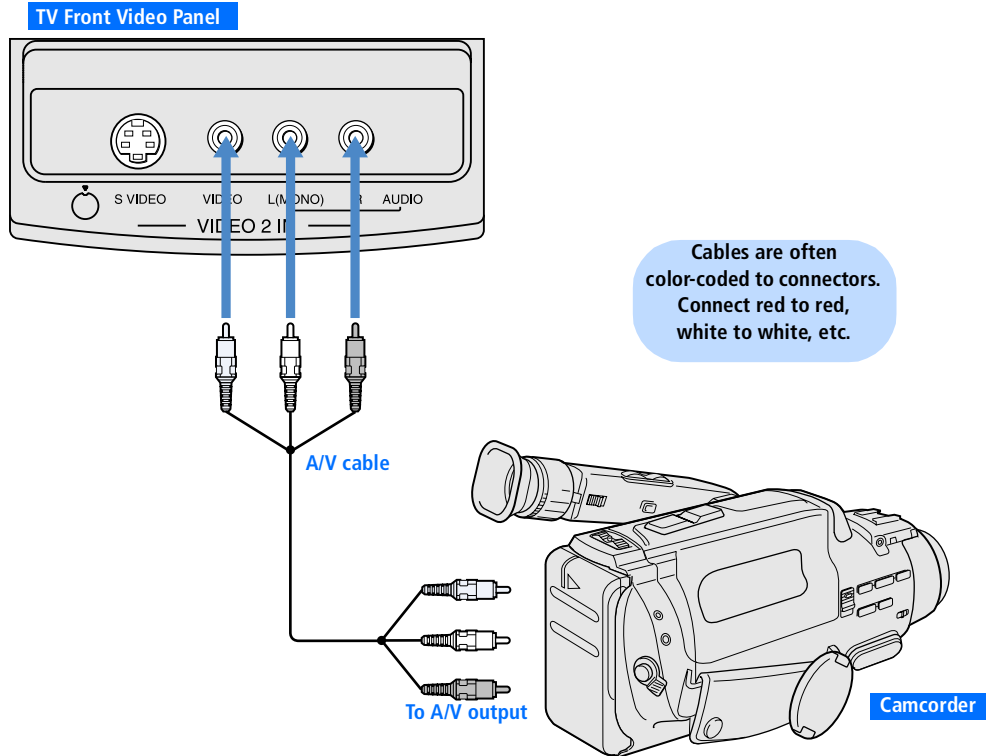
For easy connection of a camcorder, the TV has front A/V input jacks. If you prefer, however, you can connect the camcorder to the TV's rear A/V input jacks.



Using  
S VIDEO jacks?  
See page 25.

### To connect a camcorder

- 1 Open the front video panel, as shown on page 13.
- 2 Use A/V cables to connect the camcorder's A/V output jacks to the TV's A/V input jacks.



If you have a mono camcorder, connect its audio output jack to the TV's L MONO audio jack.

### Notes on Using This Connection

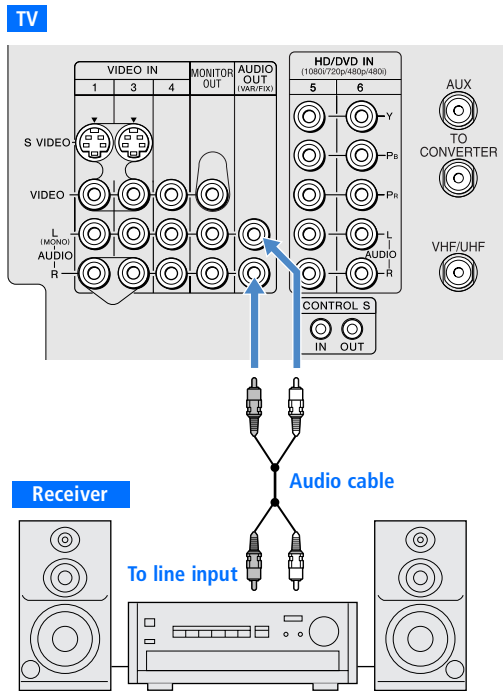
To Do This ...	Do This ...
Watch the camcorder	Press <b>TV/VIDEO</b> repeatedly to select the camcorder input (VIDEO 2 in the illustration).
Label video inputs to easily identify equipment connected to the TV	See the instructions for setting up Video Labels on pages 83-84.

## Audio Receiver

For improved sound quality, you may want to play the TV's audio through your stereo system.

### To connect an audio system

- 1 Use an audio cable to connect the TV's audio output jacks to the audio receiver's line input jacks.



- 2 Using the TV's Audio Menu, set the **Speaker** option to **Off**. Then set the **Audio Out** option to **Fixed** or **Variable**, depending on how you want to control the volume. For details, see "Using the Audio Menu" on page 74.
- 3 Turn on the audio receiver, and then set the receiver's line input to the jack into which you connected the TV.

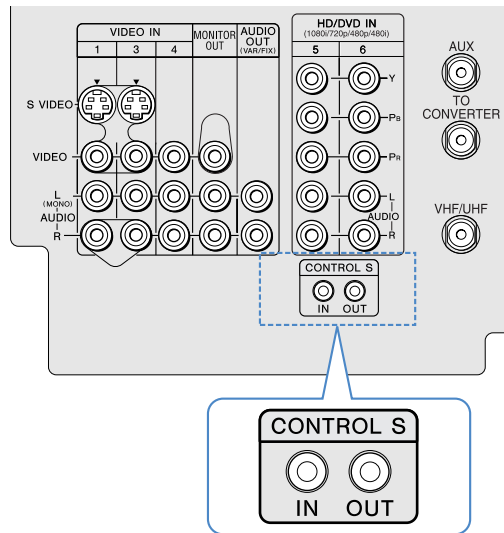
## Using the CONTROL S Feature

CONTROL S allows you to control your system and other Sony equipment with one remote control. In addition to allowing you to control multiple devices with one remote control, the CONTROL S feature allows you to always point your remote control at your TV, instead of having to point it at the other equipment, which might be hidden or out of direct line of sight.

Use CONTROL S IN to send signals to the TV.


Use CONTROL S OUT to send signals to connected equipment.

TV



## Setting Up the Channel List

After you finish connecting your TV, you need to run Auto Setup to set up your channels. The Auto Setup screen appears when you turn on your TV for the first time after hooking it up. If you do not want to set up the channels at this time, you can do it later by selecting the Auto Program option in the Channel Menu (see page 78).

 **The Auto Setup feature does not apply for installations that use a cable box for all channel selection.**

### Using Auto Setup

- 1 Press **POWER** to turn on the TV.
- 2 Press **TV FUNCTION** on the remote control.
- 3 To continue running Auto Setup, press **CH+**. To exit Auto Setup, press **CH-**.

Auto Setup automatically creates a list of receivable channels. When finished, the lowest numbered channel is displayed.

#### To reset the TV to factory settings


- 1 Press **POWER** to turn on the TV.
- 2 Hold down **RESET** on the remote control.
- 3 Press **TV POWER** on the TV. (The TV will turn itself off, then back on.)
- 4 Release **RESET**.



## Adjusting the Convergence Automatically (Flash Focus)

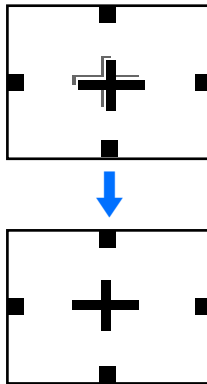
The projection tube image appears on the screen in three colors (red, green and blue). If they do not converge, the color is poor and the picture blurs. Before you use your TV, be sure to adjust the convergence. The Flash Focus feature allows you to adjust the convergence automatically.

 It is recommended that you perform Flash Focus about 30 minutes after the TV is first turned on.

 You can also access Flash Focus in the Setup menu. For details, see page 85.

- 1 Tune to a TV or cable TV program.
- 2 Press the **FLASH FOCUS** button on the front panel of the TV (see pages 14-15).


The cross pattern appears and Flash Focus begins to work.



The adjustment is completed when the TV picture returns.

### To Obtain Optimum Convergence

Whenever you find that the picture blurs, press **FLASH FOCUS**.


 You cannot perform any other functions until Flash Focus has completed its cycle. If you perform any other operation while Flash Focus is in progress, the Flash Focus operation is canceled.


### To Perform Additional Fine Manual Adjustments

- Use the Convergence feature, described on page 45.

## Adjusting the Convergence Manually

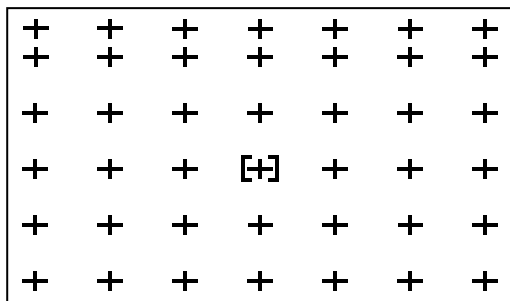
The Convergence feature gives you more control over the picture's convergence than the Flash Focus feature, allowing you to fine-tune the convergence.

 Before using the manual Convergence, you must first perform Flash Focus (as described on page 44).

 For details on using the Setup Menu, see page 83.

- 1 Press **MENU** to display the Menu.
- 2 Move the joystick **←** or **→** to highlight the Setup icon and press **⊕**.
- 3 Move the joystick to highlight **Convergence** and press **⊕**.

A pattern of white crosses appears, with a yellow **[+]** around one of the crosses. Aligned crosses (which do not need adjustment) look white and have little or no red or blue showing. Crosses that are not aligned show red or blue shades beyond their edges.



You can scroll up and down through the 9 x 7 field of crosses to manually converge all portions of the screen.

- 4 Using the joystick, move the **[+]** to surround a cross that you want to adjust. Press **⊕**. The **[+]** changes to red.
- 5 If the cross that you selected has red edges, move the joystick until the red image is replaced with a white cross. Once you have finished this (or the cross does not have red edges), press **⊕**. The **[+]** changes to blue.
- 6 If the cross you selected has blue edges, move the joystick until the blue image is replaced with a white cross. Once you have finished this, press **⊕**. The **[+]** changes to yellow again.
- 7 Repeat steps 4 to 6 to adjust other crosses. When finished, press **MENU** to exit the Setup Menu.

---

## **Notes on Adjusting the Convergence Manually**

- ❑ For best results, stand about 3 to 5 feet back from the picture when adjusting the convergence. Begin with the crosses in the center area of the screen and, once those are adjusted, move to the crosses on the edges of the screen.
- ❑ You can make separate adjustments to each wide mode: Full/Normal, Zoom, Wide Zoom, and Memory Stick/1080i high-definition input. (These features share a common convergence mode.) The cross pattern looks different in each of these, but the adjustment procedure is the same. Press the **WIDE MODE** button on the remote to toggle through the wide mode screens.
- ❑ To optimize the conditions for convergence adjustment, in the Video Menu, set **Mode** to **Pro** or **Movie** and lower the **Picture** level settings (see page 72). You can reset the adjustments by pressing the **RESET** button on the remote control.

# Using the Remote Control

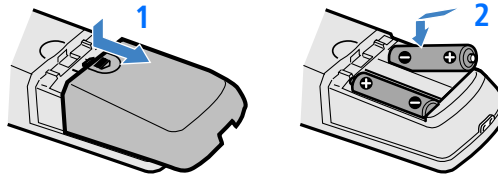
## Overview


This chapter describes how to set up, program, and use the TV's remote control.

Topic	Page
Inserting Batteries	47
Button Descriptions	
Outside Panel	48
Inside Panel	50
Programming the Remote Control	51

## Inserting Batteries

- 1 Remove the battery cover from the remote control.
- 2 Insert two size AA (R6) batteries (supplied) by matching the **+** and **-** terminals on the batteries to the diagram inside the battery compartment.
- 3 Replace the battery cover.



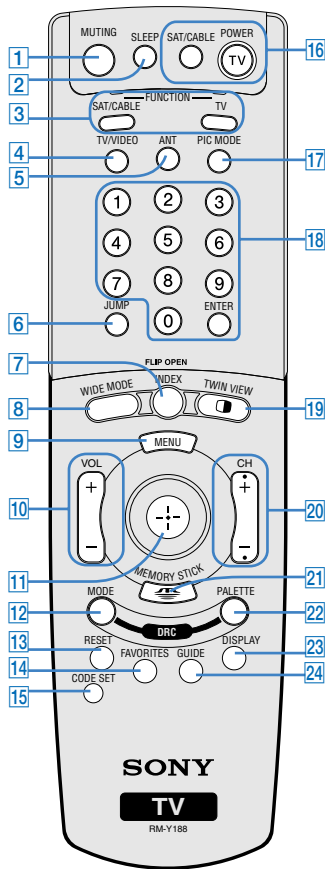
 Remove the batteries to avoid damage from possible battery leakage whenever you anticipate that the remote control will not be used for an extended period.

Handle the remote control with care.


Avoid dropping it, getting it wet, placing it in direct sunlight, near a heater, or where the humidity is high.



# Button Descriptions

## Outside Panel



Remote Control

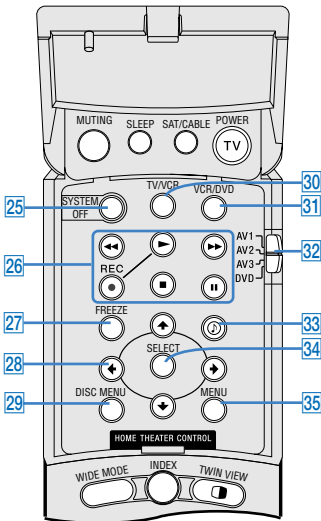
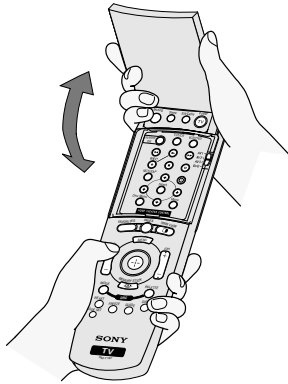
Button	Description
<b>1</b> MUTING	Press to mute the sound. Press again or press <b>VOL+</b> to restore the sound.
<b>2</b> SLEEP	Press repeatedly until the TV displays the time in minutes (15, 30, 45, 60, or 90) that you want the TV to remain on before shutting off automatically. To cancel press until <b>Sleep Off</b> appears. While the Sleep feature is set, press once to display the remaining time.
<b>3</b> FUNCTION Buttons	The indicator lights up momentarily when pressed to show which equipment the remote control is operating: <b>SAT/CABLE:</b> Press to have the remote control operate the satellite receiver or cable box. <b>TV:</b> Press to have the remote control operate the TV.
<b>4</b> TV/VIDEO	Press repeatedly to cycle through the video equipment connected to the TV's video inputs.
<b>5</b> ANT	Press to switch between the sources connected to the TV's VHF/UHF and AUX inputs.
<b>6</b> JUMP	Press to jump back and forth between two channels. The TV alternates between the current channel and the last channel that was selected.
<b>7</b> INDEX	Press to display the Scrolling Index. For details, see page 57.
<b>8</b> WIDE MODE	Press repeatedly to step through the Wide Mode settings: <b>Wide Zoom</b> , <b>Normal</b> , <b>Full</b> , <b>Zoom</b> . Also available in the Screen menu. For details, see pages 58 and 76.
<b>9</b> MENU	Press to display the Menu. Press again to exit from the Menu. For details, see page 71.
<b>10</b> VOL +/-	Press to adjust the volume.
<b>11</b> 	Move the joystick <b>▲</b> <b>▼</b> <b>◀</b> <b>▶</b> to move the on-screen cursor. To select an item, press the center of the joystick ( <b>⊕</b> ).
<b>12</b> DRC MODE	Press repeatedly to cycle through the available high-resolution picture modes: <b>Interlaced</b> , <b>Progressive</b> , <b>CineMotion</b> . Also available in the Video Menu. For details, see "Selecting Video Options" on pages 72-73.
<b>13</b> RESET	Press to reset the settings to the factory defaults. See pages 72 and 74. Also used to clear Favorite Channels (see page 62).
<b>14</b> FAVORITES	Press to display the Favorite Channels list. For details, see page 62.

<i>Button</i>	<i>Description</i>
<b>15</b> CODE SET	Press to program the remote control to operate non-Sony video equipment. For details, see "Programming the Remote Control" on page 51.
<b>16</b> POWER Buttons	<b>SAT/CABLE*</b> : Press to turn on and off the satellite receiver or cable box. <b>TV</b> : Press to turn on and off the TV.
<b>17</b> PIC MODE	Press repeatedly to cycle through the available video picture modes: <b>Vivid</b> , <b>Standard</b> , <b>Movie</b> , <b>Pro</b> . Also available in the Video Menu. For details, see "Selecting Video Options" on pages 72-73.
<b>18</b> 0 - 9 ENTER	Press <b>0 - 9</b> to select a channel; the channel changes after 3 seconds. Press <b>ENTER</b> to change channels immediately.
<b>19</b> TWIN VIEW 	Press to turn on and off Twin View. For details, see pages 59-61.
<b>20</b> CH +/-	Press to scan through channels. To scan quickly through channels, press and hold down either <b>CH</b> button.
<b>21</b> MEMORY STICK 	Press to display the Memory Stick Menu. For details, see "Using the Memory Stick Picture Viewer" on page 64.
<b>22</b> DRC PALETTE	Press repeatedly to cycle through the three Custom DRC Palette options. Also available in the Video Menu. For details, see "Selecting Video Options" on pages 72-73.
<b>23</b> DISPLAY	Press once to display the current channel number, current time, and channel label (if set). Press again to turn Display off.
<b>24</b> GUIDE*	Press to display the program guide of your satellite program provider.


\* Requires that you first program the remote control (page 51), if not Sony brand.




## Inside Panel



To access the inside panel, open the outside cover as shown.

 **Opening the outside cover automatically switches the remote control to operate your VCR or DVD player, depending on the position of the A/V slide switch. For details, see page 51.**

**VCR and DVD buttons require that you first program the remote (page 51), if the VCR and DVD player are not Sony brand.**

Button	Description
<b>25</b> SYSTEM OFF	Press to turn off all Sony brand audio/video equipment at once. (May not function with older Sony equipment.)
<b>26</b> Transport Buttons	<ul style="list-style-type: none"> <li>◀◀ Rewind</li> <li>▶ Play</li> <li>● Record (press together with ▶)</li> <li>■ Stop</li> <li>▶▶ Fast forward</li> <li>   Pause</li> </ul>
<b>27</b> FREEZE	Press to freeze the picture. Press again to restore the picture. For details, see “Using the Freeze Function” on page 63.
<b>28</b> ⬆ ⬇ ⬅ ➡	Press ⬆ ⬇ ⬅ ➡ to move the VCR or DVD player’s on-screen cursor.
<b>29</b> DISC MENU	Press to display the DVD Menu.
<b>30</b> TV/VCR	Press to change to the VHF/UHF output of the VCR.
<b>31</b> VCR/DVD	Press to turn on and off the VCR or DVD player.
<b>32</b> AV1/2/3/DVD Slide Switch	Use the A/V slide switch to control connected video equipment. You can program one video source for each switch position. For details, see “Programming the Remote Control” on page 51.
<b>33</b> 	Press repeatedly to step through the Audio Effect options. Also available in the Audio Menu. For details, see page 74.
<b>34</b> SELECT	Press to select an item in the VCR or DVD player’s menu.
<b>35</b> MENU	Press to display the DVD player setup menu.

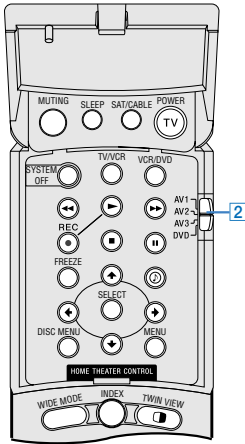
# Programming the Remote Control

The remote control is preset to operate Sony brand video equipment.

Sony Equipment	Switch Position on Remote Control	Programmable Code Number
Beta, Ed Beta VCRs	AV1	303
8 mm VCR	AV2	302
VHS VCR	AV3	301
DVD player	DVD	751

If you have video equipment other than Sony brand that you want to control with the TV's remote control, use the following procedure to program the remote control.

**The equipment must have infrared (IR) remote capability in order to be used with the remote control.**



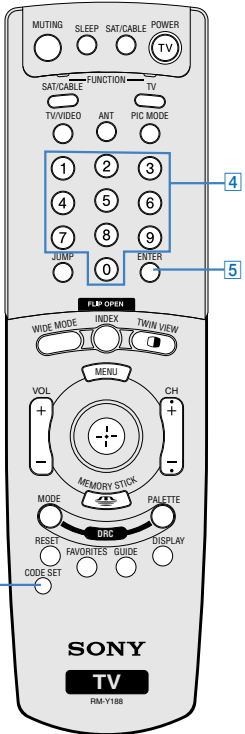
- 1 Turn to the list of “Manufacturer’s Codes” on page 52, and find the three-digit code number for the manufacturer of your equipment. (If more than one code number is listed, use the number listed first.)
- 2 Open the remote control and set the A/V slide switch to **1, 2, 3**, or **DVD**.
- 3 Press **CODE SET**.
- 4 Enter the three-digit manufacturer’s code number.
- 5 Press **ENTER**.

**You must do step 5 within 10 seconds of step 4, or you must redo steps 3 through 5.**

- 6 To check if the code number works, aim the TV's remote control at the equipment and press the **POWER** button that corresponds with that equipment. If it responds, you are done. If not, try using another code listed for that manufacturer.

### Notes

- ❑ If more than one code number is listed, try entering them one by one until you come to the correct code for your equipment.
- ❑ If you enter a new code number, the code number you previously entered at that setting is erased.
- ❑ In some cases, you may not be able to operate your equipment with the supplied remote control. In such cases, use the equipment's own remote control unit.
- ❑ Whenever you remove the batteries to replace them, the code numbers may revert to the factory setting and must be reset.



3

## Manufacturer's Codes

### VCRs

<i>Manufacturer</i>	<i>Code</i>
Sony	301, 302, 303
Admiral (M. Ward)	327
Aiwa	338, 344
Audio	314, 337
Dynamic	
Broksonic	319, 317
Canon	309, 308
Citizen	332
Craig	302, 332
Criterion	315
Curtis Mathes	304, 338, 309
Daewoo	341, 312, 309
DBX	314, 336, 337
Dimensia	304
Emerson	319, 320, 316, 317, 318, 341
Fisher	330, 335
Funai	338
General Electric	329, 304, 309
Go Video	322, 339, 340
Goldstar	332
Hitachi	306, 304, 305, 338
Instant Replay	309, 308
JC Penney	309, 305, 304, 330, 314, 336, 337
JVC	314, 336, 337, 345, 346, 347
Kenwood	314, 336, 332, 337
LXI (Sears)	332, 305, 330, 335, 338
Magnavox	308, 309, 310
Marantz	314, 336, 337
Marta	332
Memorex	309, 335
Minolta	305, 304
Mitsubishi/ MGA	323, 324, 325, 326
Multitech	325, 338, 321
NEC	314, 336, 337
Olympic	309, 308
Optimus	327

<i>Manufacturer</i>	<i>Code</i>
Orion	317
Panasonic	308, 309, 306, 307
Pentax	305, 304
Philco	308, 309
Philips	308, 309, 310
Pioneer	308
Quasar	308, 309, 306
RCA/ PROSCAN	304, 305, 308, 309, 311, 312, 313, 310, 329
Realistic	309, 330, 328, 335, 324, 338
Sansui	314
Samsung	322, 313, 321
Sanyo	330, 335
Scott	312, 313, 321, 335, 323, 324, 325, 326
Sharp	327, 328
Signature 2000 (M. Ward)	338, 327
SV2000	338
Sylvania	308, 309, 338, 310
Symphonic	338
Tashiro	332
Tatung	314, 336, 337
Teac	314, 336, 338, 337
Technics	309, 308
Toshiba	312, 311
Wards	327, 328, 335, 331, 332
Yamaha	314, 330, 336, 337
Zenith	331

### Laserdisc Players

<i>Manufacturer</i>	<i>Code</i>
Sony	701
Panasonic	704, 710
Pioneer	702

### DVD Players

<i>Manufacturer</i>	<i>Code</i>
Sony	751
General Electric	755
Hitachi	758
JVC	756
Magnavox	757
Mitsubishi	761
Oritron	759
Panasonic	753
Philips	757
Pioneer	752
RCA/Proscan	755
Samsung	758
Toshiba	754
Zenith	760

### Cable Boxes

<i>Manufacturer</i>	<i>Code</i>
Sony	230
Hamlin/Regal	222, 223, 224, 225, 226
Jerrold/G. I.	201, 202, 203, 204, 205, 206, 207, 208, 218
Oak	227, 228, 229
Panasonic	219, 220, 221
Pioneer	214, 215
Scientific	209, 210, 211
Atlanta	
Tocom	216, 217
Zenith	212, 213

### Satellite Receivers


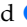







<i>Manufacturer</i>	<i>Code</i>
Sony	801
Dish Network	810
Echostar	810
General Electric	802
Hitachi	805
Hughes	804
Mitsubishi	809
Panasonic	803
RCA/ PROSCAN	802, 808
Toshiba	806, 807

## Using Other Equipment with Your TV Remote Control

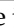


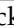

### All Equipment

To Do This ...	Do This ...
Switch the TV's input to the VCR, DVD player, or other connected equipment	Press <b>TV/VIDEO</b> repeatedly to cycle through the video equipment connected to the TV's video inputs.
Set up the TV remote control to operate non-Sony equipment	You must program the remote control the first time you use it. See "Programming the Remote Control" on pages 51 to 52.

### Operating a VCR

To Do This ...	Press
Activate the remote control to operate the VCR	Open the outside cover, as shown on page 50. Then set the A/V slide switch to the position you programmed for the VCR.
Change channels	<b>CH +/-</b>
Record	 and  simultaneously
Play	
Stop	
Fast forward	
Rewind the tape	
Pause	
Search the picture forward or backward	 or  during playback (release to resume normal playback)
Change input mode	<b>TV/VCR</b>

### Operating a Satellite Receiver

To Do This ...	Press
Activate the remote control to operate the satellite receiver	<b>SAT/CABLE FUNCTION</b>
Turn on/off	<b>SAT/CABLE POWER</b>
Select a channel	<b>0-9, ENTER</b>
Change channels	<b>CH +/-</b>
Back to previous channel	<b>JUMP</b>
Display channel number	<b>DISPLAY</b>
Display SAT Guide	<b>GUIDE</b>
Display SAT Menu	<b>MENU</b>
Move highlight (cursor)	Move the joystick    
Select item	

## Operating a Cable Box

To Do This ...	Press
Activate the remote control to operate the cable box	SAT/CABLE FUNCTION
Turn on/off	SAT/CABLE POWER
Select a channel	0-9, ENTER
Change channels	CH +/-
Back to previous channel	JUMP

## Operating a DVD Player

To Do This ...	Press
Activate the remote control to operate the DVD	Open the outside cover, as shown on page 50. Then set the A/V slide switch to the position you programmed for the DVD player.
Play	▶
Stop	■
Pause	⏸
Step through different tracks of the disc	▶▶ to step forward or ◀◀ to step backward
Step through different chapters of a video disc	CH+ to step forward or CH- to step backward
Display the DVD player Menu (Setup)	MENU (inside panel)
Display the DVD Menu	DISC MENU
Move highlight (cursor)	⬆ ⬇ ⬅ ➡
Select item	SELECT

## Operating an MDP (Laserdisc Player)

To Do This ...	Press
Activate the remote control to operate the MDP	Open the outside cover, as shown on page 50. Then set the A/V slide switch to the position you programmed for the MDP player.
Play	▶
Stop	■
Pause	⏸
Search the picture forward or backward	▶▶ or ◀◀ during playback (release to resume normal playback)
Search a chapter forward or backward	CH +/-

# Using the Features


## Overview

This chapter describes how to use the features of your TV.

<i>Topic</i>	<i>Page</i>
Watching TV	56
Using the Scrolling Index	57
Using Wide Mode	58
Using Twin View	59
Using Favorite Channels	62
Using the Freeze Function	63
Using the Memory Stick Picture Viewer	64



## Watching TV

 For a complete list of all the functions of the remote control, see pages 47-52.

To Do This ...	Do This ...
Activate the remote control to operate the TV	Press <b>TV FUNCTION</b>
Turn on/off the TV	Press <b>TV POWER</b>
Tune directly to a channel	Press <b>0-9</b> and then <b>ENTER</b> (or wait 3 seconds) or Press <b>CH+/-</b>
Adjust the volume	Press <b>VOL +/-</b>
Mute the volume	Press <b>MUTING</b> (press again to unmute)
Alternate back and forth between two channels	Press <b>JUMP</b> The TV alternates between the current channel and the last channel tuned.
Display the current channel number (and other information)	Press <b>DISPLAY</b> once to display the channel number, current time, and channel label (if set). Press <b>DISPLAY</b> again to turn Display off.
Switch the TV's input to the VCR, DVD player, or other connected equipment	Press <b>TV/VIDEO</b> repeatedly to cycle through the video equipment connected to the TV's video inputs.
Change video and audio options, customize the TV's setup, set parental controls, and more	Press <b>MENU</b> to display the Menu. For details, see "Using the Menus" on page 71.
Switch the TV's input between sources connected to the TV's VHF/UHF and AUX inputs	Press <b>ANT</b> to alternate between sources connected to the TV's VHF/UHF and AUX inputs.

## Using the Scrolling Index

The Scrolling Index lets you select programs from a scrolling index of video pictures.

- 1 Press **INDEX**.

The Scrolling Index appears, with the currently selected program in the main (left) window, and four scrolling video pictures in the right.



As each picture on the right scrolls to the live preview window, it changes briefly from a frozen video picture to a live video. The right side continues to scroll through the entire channel list.

- 2 To change the direction of the scrolling, move the joystick **▲** or **▼**.
- 3 To change the speed of the scrolling, move and hold the joystick **▲** or **▼**.
- 4 To change a frozen video picture to a live video, move the joystick **▲** or **▼** to highlight the picture, then press **⊕**.
- 5 To move the live video (from step 4 ) from the right to the main (left) window of the Scrolling Index, press **⊕** again.

### To exit the Scrolling Index

- ❑ Press **INDEX**.


### Factors Affecting Scrolling Index


- ❑ Scrolling Index feature does not function if you use a cable box to view all channels.
- ❑ Sources connected to the AUX, VIDEO 5, VIDEO 6, and VIDEO 7 inputs display in the left window, but not the right windows.
- ❑ Scrolling Index does not function if parental controls are set (see page 80).

# Using Wide Mode

Wide Screen mode lets you watch 4:3 normal broadcasts in several Wide Screen modes (16:9 aspect ratio).

 When viewing high-definition programs broadcast in 720p/1080i, it is not possible to change between Wide Screen modes.

 You can also access the Wide Mode settings in the Screen menu. For details, see page 76.

 When you change channels or inputs, the Wide Mode settings revert to the 4:3 Default setting in the Screen menu. To retain the current Wide Mode setting as channels and inputs are changed, set 4:3 Default to Off. For details, see page 77.

- Press **WIDE MODE** repeatedly to toggle through the following Wide Mode settings.



Wide Zoom

Wide Zoom enlarges the 4:3 picture, while the upper and lower parts of the picture are condensed to fit the 16:9 screen.



Normal

Normal returns the 4:3 picture to its original size.



Full

Full Mode stretches the 4:3 picture horizontally only, to fill the 16:9 screen.




Zoom

Zoom Mode enlarges the 4:3 picture horizontally and vertically to an equal aspect ratio that fills the 16:9 screen. Useful for watching Letterbox movies.

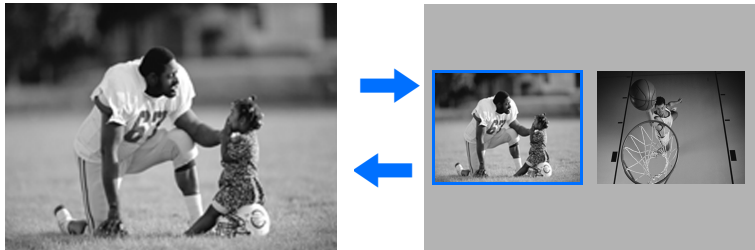
## Using Twin View

Twin View lets you see two pictures from two sources — from an antenna, VCR, DVD, etc. — on the screen at the same time. You hear the sound from only one of the sources at a time, but you can choose which source's sound is selected. You can also change the relative size of each of the pictures.



### Displaying Twin Pictures

- 1 Tune the TV to a working channel.
- 2 Press .

A second picture appears. The active picture is highlighted in blue.



To cancel Twin View and watch the active picture

- Press  or .

### Factors Affecting Twin View

- If you use a cable box to view all channels, the same channel appears in both windows because the cable box unscrambles only one channel at a time.
- If you use a cable box, you can view the cable box output in one window and view a different source (such as a VCR or DVD player) in the second window by using the [TV/VIDEO](#) button. For details, see “Connecting Optional Equipment” on page 25.
- Sources connected to the AUX, VIDEO 5, VIDEO 6, and VIDEO 7 inputs display in the left window, but not the right.
- If you are viewing a 4:3 source and a 16:9 enhanced source (such as a DVD) side by side, the 4:3 source appears larger.
- Twin View does not display channels that are blocked by parental settings (see page 80).

## Activating the Picture

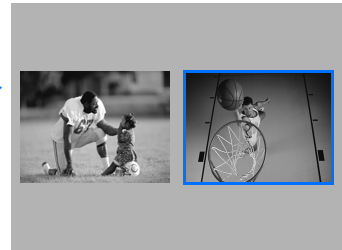
To activate the picture in the right window

- Move the joystick ➡.



To activate the picture in the left window

- Move the joystick ←.



### Functions Available in the Active (Highlighted) Window

To Do This ...	Do This ...
Tune to a channel	Press <b>0-9</b> and then <b>ENTER</b> (or wait 3 seconds) or Press <b>CH+/-</b>
Adjust the volume	Press <b>VOL +/-</b>
Mute the volume	Press <b>MUTING</b> (press again to unmute)
Switch the TV's input between sources connected to the TV's VHF/UHF and AUX inputs	Press <b>ANT</b> (left window only)
Switch the TV's input between sources connected to the TV's A/V inputs	Press <b>TV/VIDEO</b>
Change the picture size	Move the joystick <b>▲</b> or <b>▼</b> . (For details, see "Changing the Picture Size" on page 61.)

## Changing the Picture Size

The zoom feature lets you vary the relative size of the left and right pictures.

- 1 Move the joystick **←** or **→** to activate the picture that you want to resize.
- 2 Move the joystick **▲** to enlarge the picture.
- 3 Move the joystick **▼** to make the picture smaller.




When you adjust the picture sizes, the TV memorizes the change. The next time you use the Twin View function, the memorized sizes appear.

## Using Favorite Channels


The Favorite Channels feature lets you select programs from a list of up to eight favorite channels that you specify.

### Creating a List of Favorite Channels

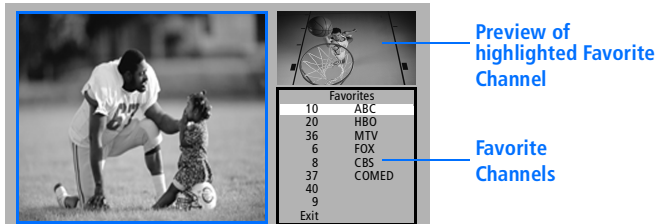
 For details on using the Channel Menu, see page 78.

- 1 Press **MENU** to display the Menu.
- 2 Move the joystick **←** or **→** to highlight the Channel icon and press **⊕**.
- 3 Press **⊕** to select **Favorite Channels**.
- 4 Move the joystick **▲** or **▼** to highlight a Favorite Channel number (1-8) and press **⊕**.
- 5 Move the joystick **▲** or **▼** to highlight a channel you want to assign to the Favorite Channel number. A preview of the highlighted channel appears in the upper right of the screen. Press **⊕** to select that channel as a Favorite Channel.
- 6 To add more channels to your favorites list, repeat steps 4-5. To clear a Favorite Channel, move the joystick **▲** or **▼** to highlight the channel you want to clear. Press **⊕** and then press **RESET**.
- 7 Press **MENU** to exit the Menu.

### Displaying a List of Favorite Channels

 To assign Channel Labels (e.g., ABC, HBO, MTV, etc.) to channel numbers, as shown at right, use the Channel Label feature in the Channel Menu (see page 79).

- 1 Press **FAVORITES**. The Favorite Channels list appears.




- 2 Move the joystick **▲** or **▼** to highlight the channel you want to watch. A preview of the highlighted Favorite Channel appears.
- 3 Press **⊕** to select the channel you want to watch.

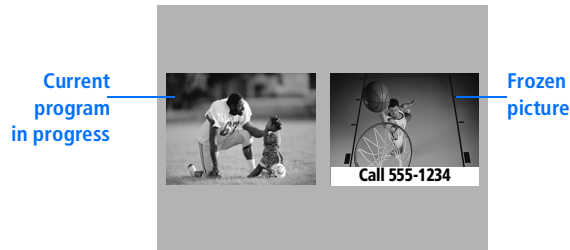


## Using the Freeze Function

The **FREEZE** button allows you to temporarily capture a program's picture. You can use this feature to write down information such as phone numbers, recipes, etc.

 **The Freeze feature is not available while you are using the Twin View or Scrolling Index features.**

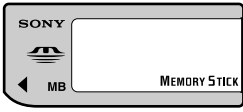
- 1 When the program information you want to capture is displayed, press **FREEZE**.
- 2 The TV switches to Twin View mode and displays the "frozen" picture on the right, while the current program continues on the left.




- 3 To cancel and return to normal viewing, press **FREEZE** (or just tune to another channel).

# Using the Memory Stick Picture Viewer

## About Memory Stick



Memory Stick (sold separately) is a new, compact, portable, and versatile Integrated Circuit recording medium with a data capacity that exceeds that of a floppy disk. Memory Stick is specially designed for exchanging and sharing digital data among Memory Stick compatible products such as digital cameras and digital video cameras. Because it is removable, Memory Stick can also be used for external data storage.


 **You cannot write to Memory Stick media using the TV.**

Memory Stick technology allows you to view on your TV screen digital (jpeg) images that are stored on Memory Stick media. You can choose from an index of the images stored on the Memory Stick, or you can run a slideshow of those images. You can also customize the features of the slideshow by selecting the length of time that each image is displayed, toggling the display of file information, and rotating each image.

For more information about the using Memory Stick media, see “Notes on Using Memory Stick Media” on page 89.


## Supported Image Types

This TV’s Memory Stick viewer can display only still images that have been recorded on Memory Stick media by Sony brand digital still and video cameras.

 **The TV’s Memory Stick viewer is compatible with Memory Sticks up to and including 128MB. It is not compatible with Memory Sticks that exceed 128MB.**

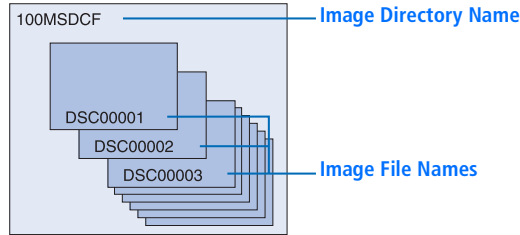
Recorded images must also meet the following specifications:


- Compression format: JPEG
- File name format: DCF compliant

 **JPEG stands for “Joint Photographic Experts Group,” which is the organization that implemented this format. DCF stands for “Design Rules for Camera File Systems,” which are specifications established by the Japan Electronic Industry Development Association (JEIDA).**

### About DCF File Names

Most Sony brand digital still and video cameras automatically record still images using DCF compliant directory and file names, as shown in the following example:



 **Do not rename directories. If the names are changed, the still images cannot be displayed on your TV.**

## Unsupported Image Types

This TV's Memory Stick viewer cannot display any of the following:

- Images recorded on digital still cameras and digital video cameras that are not Sony brand
- Images recorded using products that are not DCF compliant, including the following Sony products:

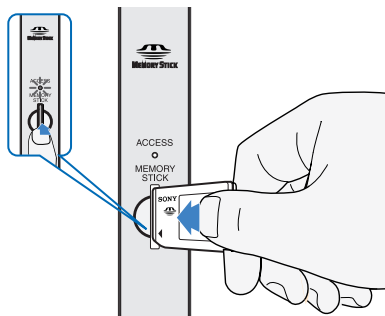
Digital still cameras	DSC-D700, DSC-D770
Digital video cameras	DCR-TRV900/DSR-PD100A


- Images stored on a Memory Stick that has a capacity that exceeds 128MB
- Images stored in TIFF or any other non-JPEG compression format
- Images in directories that were modified or renamed on a computer
- Images with less than 16 horizontal and/or vertical lines per dot
- Images with more than 4096 horizontal and/or vertical lines per dot
- Movie clips

## Inserting and Removing a Memory Stick

### To insert a Memory Stick

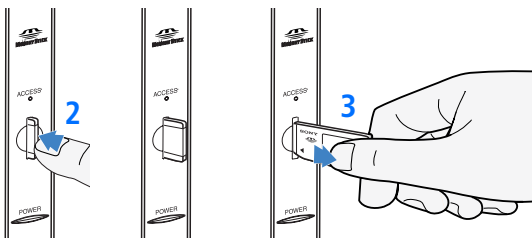
- 1 Locate the Memory Stick slot (see pages 14-15) and insert the Memory Stick into the Memory Stick slot as illustrated below. When inserted properly, it should slide in with little resistance and click into place.




-  **Be sure to insert the Memory Stick in the correct direction. If the Memory Stick is forced in the wrong way, it may become damaged.**
- Insert only Memory Stick media into the Memory Stick slot. Attempting to insert other objects into the slot may damage the TV.**


### To remove a Memory Stick

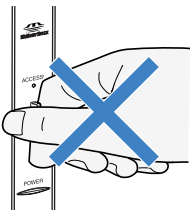
- 1 Check that the Memory Stick indicator is off. (When the light is on, this indicates that the TV is reading data from the Memory Stick.)
- 2 Push the Memory Stick gently into the slot, and then release it. The Memory Stick media is ejected.



- 3 Pull the Memory Stick completely out of the slot.

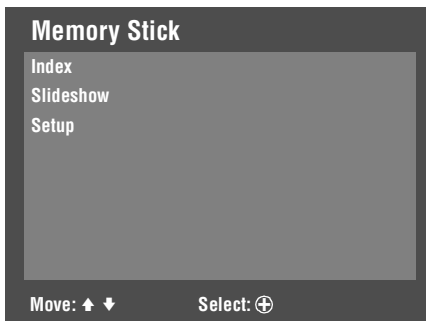
-  **To protect small children from injury from Memory Stick Media, remove all Memory Stick media from the TV's Memory Stick slot and store it in a safe location when it is not in use.**

 When removing the Memory Stick, do not attempt to just pull it from its slot. Follow steps 1-3 (right).



## Displaying the Memory Stick Menu


- 1 Insert a Memory Stick that contains the images you want to view. For details, see page 66.
- 2 Press the **MEMORY STICK** button on the remote control. The Memory Stick Menu appears.



- 3 To select an option, move the joystick **↑** or **↓** to highlight the option and press **⊕**.


<i>Option</i>	<i>Description</i>
<a href="#">Index</a>	Displays an index of thumbnail images that are on the Memory Stick. For details, see “Using the Memory Stick Index” on page 68.
<a href="#">Slideshow</a>	Displays a slideshow of images that are on the Memory Stick. For details, see “Using the Memory Stick Slideshow” on page 69.
<a href="#">Setup</a>	Allows you to change slideshow options and rotate images. For details, see “Changing the Memory Stick Setup Options” on page 69.

- 4 To exit the Memory Stick Menu, press **CH +/-**, **TV/VIDEO**, **ANT**, or use the **0-9** buttons and **ENTER** (or wait 3 seconds) to select a channel.



 **Memory Stick functions are not available while using Twin View, Freeze or Favorite Channel functions.**

## Using the Memory Stick Index

The Memory Stick Index lets you view images that are on the Memory Stick in an index of thumbnail images.

 There is no audio signal available while viewing images on Memory Stick.

- 1 Insert a Memory Stick that contains the images you want to view. For details, see page 66.
- 2 Press the **MEMORY STICK** button on the remote control. The Memory Stick Menu appears.
- 3 Move the joystick to highlight **Index** and press **⊕**. The Memory Stick Index appears.

 The Page and folder  buttons are available only if the Memory Stick contains more images or folders than can be displayed on one screen.




The selected image is highlighted in yellow


Information about the selected image

- 4 Move the joystick **↑ ↓ ← →** to highlight an image and press **⊕** to select the image. Selecting an image displays that image at full size. While an image is displayed full size, you can do any of the following:

To Do This ...	Do This ...
Display the previous image	Move the joystick <b>←</b> .
Display the next image	Move the joystick <b>→</b> . If you move the joystick <b>→</b> while viewing the last image, the first image is displayed. If you move the joystick <b>←</b> while viewing the first image, the last image is displayed.
Display the Memory Stick Index	Press <b>⊕</b> .

- 5 To return to the Memory Stick Menu, move the joystick to **Menu** and press **⊕**.

 If a blank square appears instead of a thumbnail image, this indicates that the image does not support a thumbnail view. Selecting the icon, however, displays the full-size image on the screen. It could also indicate that both the thumbnail and full-size images are corrupted or not supported.

 Larger images will take longer to display on screen.

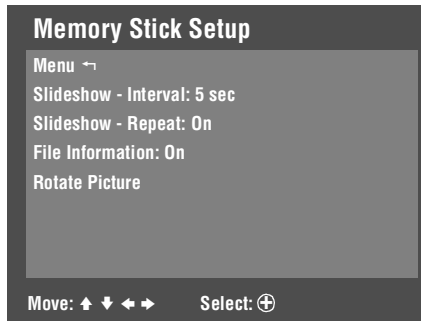
## Using the Memory Stick Slideshow

The Memory Stick Slideshow lets you watch a slideshow of the images that are on the Memory Stick.

- 1 Insert a Memory Stick that contains the images you want to view. For details, see page 66.
- 2 Press the **MEMORY STICK** button on the remote control. The Memory Stick Menu appears.
- 3 Move the joystick to highlight **Slideshow** and press **⊕**. The slideshow starts.
- 4 To end the slideshow, press **⊕**. The Memory Stick Menu is displayed.

## Changing the Memory Stick Setup Options

- 1 Press the **MEMORY STICK** button on the remote control. The Memory Stick Menu appears.
- 2 Move the joystick to highlight **Setup** and press **⊕**. The Memory Stick Setup Menu appears.



- 3 Move the joystick to highlight an option and press **⊕**.


Option	Description
<b>Menu</b>	Returns to the Memory Stick Menu.
<b>Slideshow – Interval</b>	Decrease or increase the length of time that each image is displayed: 5 seconds, 10 seconds, 1 minute, 5 minutes, or 15 minutes.
<b>Slideshow – Repeat</b>	Select <b>On</b> to set the slideshow to repeat after displaying all the images recorded on the Memory Stick. Select <b>Off</b> to not repeat the slideshow.
<b>File Information</b>	Select <b>On</b> to show file information of each image while that image is being displayed.
<b>Rotate Picture</b>	Displays the Rotate Picture screen. For details, see “Using the Rotate Picture Screen” on page 70.

- 4 Move the joystick **→** (or press **⊕**) to change settings. Move the joystick **←** (or press **⊕**) to select the changed setting.
- 5 To exit the Memory Stick Setup Menu, move the joystick to **Menu** and press **⊕**.


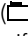


## Using the Rotate Picture Screen

The Rotate Picture Screen lets you rotate an image from an index of thumbnails.


 You cannot rotate images if the LOCK switch on the Memory Stick is on. To rotate the images, first set the LOCK switch to off.

- 1 In the Memory Stick Setup Menu, move the joystick to highlight **Rotate Picture** and press  $\odot$ . The Rotate Picture screen appears.

 The Page and folder  buttons are available only if the Memory Stick contains more images or folders than can be displayed on one screen.









- 2 Move the joystick  $\uparrow \downarrow \leftarrow \rightarrow$  to highlight an image that you want to rotate.
- 3 Press  $\odot$  to rotate an image 90 degrees in a clockwise direction.
- 4 To return to the Memory Stick Setup Menu, move the joystick to highlight **Menu** $\leftarrow$  and press  $\odot$ .


 If a blank square appears instead of the thumbnail image, this indicates that the image does not support a thumbnail view and cannot be rotated.

# Using the Menus

## Overview


The Menu gives you access to the following features:

Menu Icon	Description	Page
	Allows you to make adjustments to your picture settings. It also allows you to customize the Picture Mode based on the type of program you are viewing, select Advanced Video options, and more.	72
	Offers enhanced audio options such as listening to second audio programming (SAP) or customizing the Effect of the sound on your TV.	74
	Allows you to make Wide Mode adjustments and make changes to the screen's vertical center.	76
	Allows you to set up a Favorite Channel list, run the Auto Program function, skip and label channels, and more.	78
	Lets you control the viewing of programs based on their ratings.	80
	Provides options for setting up your system, including selecting closed caption modes, setting the Timer, labeling video inputs, selecting the language of the on-screen menus, and more.	83

 Press **MENU** to enter and exit Menus.

## Navigating Through Menus

To Do This ...	Press
Display the Menu	<b>MENU</b>
Move through the Menu	← →
Move through the Menu options	↑ ↓
Select an option to change	⊕
Change an option's settings	↑ ↓ ← →
Select (confirm) changed setting	⊕ or ←
Exit the Menu	<b>MENU</b>

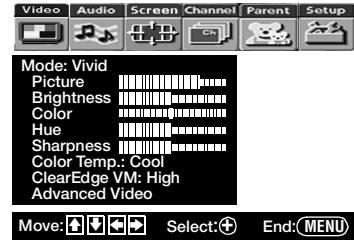
 Menus include navigation help text that appears at the bottom of each Menu.



## Using the Video Menu

### To select the Video Menu

- 1 Press **MENU**.
- 2 Move the joystick **←** or **→** to highlight the Video icon and press **⊕**.
- 3 Move the joystick to highlight an option. Press **⊕** to select an option.
- 4 Move the joystick **↑** **↓** **←** **→** to change settings. Press **⊕** to select the changed setting.
- 5 Press **MENU** to exit the Menu.



### To restore the factory default settings for the Video settings (excluding Advanced Video) of the Mode (Vivid, Standard, etc.) the TV is set to:

- Press **RESET** on the remote control when in the Video Menu.

## Selecting Video Options


To change from one Mode to another, use the **PIC MODE** button on the remote control.


You can alter the Video Menu settings (**Picture**, **Brightness**, **Color**, etc.) for each Mode.


The Video Menu includes the following options:


Option	Description
<b>Mode</b>	<b>Vivid</b> Select for enhanced picture contrast and sharpness.
<i>Customized picture viewing</i>	<b>Standard</b> Select for standard picture settings.
	<b>Movie</b> Select to display a softer picture.
	<b>Pro</b> Select to display a picture with minimum enhancements.
<b>Picture</b>	Adjust to increase picture contrast and deepen the color, or decrease picture contrast and soften the color.
<b>Brightness</b>	Adjust to brighten or darken the picture.
<b>Color</b>	Adjust to increase or decrease color intensity.
<b>Hue</b>	Adjust to increase or decrease the green tones.
<b>Sharpness</b>	Adjust to sharpen or soften the picture.
<i>Color Temp. White intensity adjustment</i>	<b>Cool</b> Select to give the white colors a blue tint.
	<b>Neutral</b> Select to give the white colors a neutral tint.
	<b>Warm</b> Select to give the white colors a red tint (NTSC-Standard).

Option	Description
<b>ClearEdge VM Velocity Modulation</b>	Sharpens picture definition to give every object a sharp, clean edge. Select from <b>High, Medium, Low, Off</b> .
<b>Advanced Video</b>	Select <b>Program</b> to choose among the <b>DRC Mode</b> and <b>DRC Palette</b> options while viewing NTSC sources.
<b>DRC Mode</b>	Creates a high-resolution picture with 4x density, for high quality sources (i.e., DVD player, satellite receiver).
<b>Interlaced</b>	Recommended for moving pictures.
<b>Progressive</b>	Recommended for still images and text.
<b>CineMotion</b>	Provides an optimized display by automatically detecting film content and applying a reverse 3/2 pulldown process. Moving pictures will appear clearer and more natural-looking.
<b>DRC Palette</b>	Allows you to customize the level of detail (Reality) and smoothness (Clarity) for up to three input sources. For example, you can create one Custom setting to optimize your cable input's picture, and create another to optimize your DVD player's picture. You can switch among the three Custom settings using the <b>DRC PALETTE</b> button on the remote control. <ol style="list-style-type: none"> <li>1 Move the joystick to highlight <b>Custom 1</b>, <b>Custom 2</b>, or <b>Custom 3</b> and then press <b>+</b>. The DRC palette appears.</li> </ol> <div data-bbox="792 1027 1038 1229" data-label="Diagram"> </div> <ol style="list-style-type: none"> <li>2 Move the joystick to adjust the position of the marker (●). As you move the ● higher along the Reality axis, the picture becomes more detailed. As you move the ● to the right along the Clarity axis, the picture becomes smoother.</li> <li>3 To save the setting, press <b>+</b>.</li> </ol> <p>To return the Custom options to the default factory settings, press the <b>RESET</b> button.</p>

 To change quickly from one DRC Mode to another, use the **DRC MODE** button on the remote control.

 **Advanced Video** options are not available (grayed out) when watching 480p, 720p, and 1080i sources.

 To change quickly from one DRC Palette to another, use the **DRC PALETTE** button on the remote control.

 For best results, adjust the Reality by moving the joystick **▲** **▼** until you are satisfied with the level of detail. Then adjust the Clarity by moving the joystick **◀** **▶** until you have a smooth image.



## Using the Audio Menu

### To select the Audio Menu


- 1 Press **MENU**.
- 2 Move the joystick **←** or **→** to highlight the Audio icon and press **⊕**.
- 3 Move the joystick to highlight an option. Press **⊕** to select an option.
- 4 Move the joystick **↑** **↓** **←** **→** to change settings. Press **⊕** to select the changed setting.
- 5 Press **MENU** to exit the Menu.



### To restore the factory default settings for Treble, Bass, and Balance

- ❑ Press **RESET** on the remote control when in the Audio Menu.

## Selecting Audio Options

 To change quickly from one Effect to another, use the **⊕** button on the inside panel of the remote control.

The Audio Menu includes the following options:

Option	Description
Treble	Adjust to decrease or increase higher-pitched sounds.
Bass	Adjust to decrease or increase lower-pitched sounds.
Balance	Adjust to emphasize left or right speaker balance.
Steady Sound	Auto Select to stabilize the volume.
	Off Select to turn off Steady Sound.
Effect	TruSurround Select for surround sound (for stereo programs only).
	Simulated Adds a surround-like effect to mono programs.
	Off Normal stereo or mono reception.
MTS <i>Enjoy stereo, bilingual and mono programs</i>	Stereo Select for stereo reception when viewing a program broadcast in stereo.
	Auto SAP Select to automatically switch the TV to second audio programs when a signal is received. (If no SAP signal is present, the TV remains in Stereo mode.)
	Mono Select for mono reception. (Use to reduce noise during weak stereo broadcasts.)

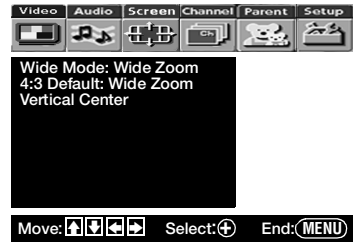
<i>Option</i>	<i>Description</i>
<b>Speaker</b>	<b>On</b> Select to turn on the TV speakers.
	<b>Off</b> Select to turn off the TV speakers and listen to the TV's sound only through your external audio system speakers.
<b>Audio Out</b> <i>Easy control of volume adjustments</i>	This option can be set only when the <b>Speaker</b> option is set to <b>Off</b> .
	<b>Variable</b> The TV's speakers are turned off, but the audio output from your audio system can still be controlled by the TV's remote control.
	<b>Fixed</b> The TV's speakers are turned off and the audio output of the TV is fixed. Use your audio receiver's remote control to adjust the volume (and other audio settings) through your audio system.




## Using the Screen Menu


### To select the Screen Menu

- 1 Press **MENU**.
- 2 Move the joystick **←** or **→** to move to the Screen icon and press **⊕**.
- 3 Move the joystick **↑** or **↓** to move to an option. Press **⊕** to select an option.
- 4 Move the joystick **←** **→** **↑** **↓** to change settings. Press **⊕** to select the changed setting.
- 5 Press **MENU** to exit the Menu.



## Selecting Screen Mode Options


 To change from one Wide Mode to another, use the **WIDE MODE** button on the remote control.

 For Wide Zoom and Zoom modes, you can adjust the vertical position of the picture. For details, see page 77.


The Screen menu includes the following options:




Option	Description
<b>Wide Mode</b> <i>Select a Wide Mode to use for 4:3 sources.</i>	<b>Wide Zoom</b> Select to enlarge the 4:3 size picture, while the upper and lower parts of the picture are condensed to fit the wide screen.
<b>Normal</b>	Select to return the 4:3 picture to normal mode.
<b>Full</b>	Select to enlarge the 4:3 picture horizontally only, to fill the wide screen.
<b>Zoom</b>	Select to enlarge the 4:3 picture horizontally and vertically to an equal aspect ratio that fills the wide screen.

Wide Mode is unavailable while in Twin View, or when viewing HD (1080i, 720p) sources.

 **In some cases, wide-screen programs will be shown in aspect ratios that require the display of black bands at the top and bottom of your 16:9 screen. For more details, see page 92.**



 If 4:3 Default is set to anything but Off, the Wide Mode setting changes only for the current channel. When you change channels (or inputs), Wide Mode is automatically replaced with the 4:3 Default setting. To retain the current Wide Mode setting as channels and inputs are changed, set 4:3 Default to Off.

Option	Description	
<b>4:3 Default</b> <i>Select the default Screen Mode to use for 4:3 sources</i>	<b>Wide Zoom</b>	Select to enlarge the 4:3 size picture, while the upper and lower parts of the picture are condensed to fit the wide screen.
	<b>Normal</b>	Select to return the 4:3 picture to normal mode.
	<b>Full</b>	Select to enlarge the 4:3 picture horizontally only, to fill the wide screen.
	<b>Zoom</b>	Select to enlarge the 4:3 picture horizontally and vertically to an equal aspect ratio that fills the wide screen.
	<b>Off</b>	Select to continue using the current Wide Mode setting when the channel or input is changed.
<b>Vertical Center</b>	<p>Allows you to move the position of the picture up and down in the window. (Available only in Wide Zoom and Zoom modes.)</p> <p>Move the joystick  or  and press  to choose a correction between +15 and -15 (Zoom mode), and +10 and -10 (Wide Zoom mode).</p>	



## Using the Channel Menu


### To select the Channel Menu


- 1 Press **MENU**.
- 2 Move the joystick **←** or **→** to highlight the Channel icon and press **⊕**.
- 3 Move the joystick to highlight an option. Press **⊕** to select an option.
- 4 Move the joystick **↑** **↓** **←** **→** to change settings. Press **⊕** to select the changed setting.
- 5 Press **MENU** to exit the Menu.





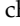







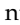






## Selecting Channel Options

The Channel Menu includes the following options:

Option	Description
<b>Favorite Channels</b>	Lets you set up a list of your favorite channels. For details, see "Using Favorite Channels" on page 62.
<b>Cable</b>	<p><b>On</b> Select if you are receiving cable channels with a CATV cable.</p> <p><b>Off</b> Select if you are using an antenna.</p>
<b> You should run Auto Program after changing this option.</b>	
<b>Channel Fix</b> <i>Useful when you have a cable box or satellite receiver connected</i>	<p><b>Off</b> Turns off Channel Fix.</p> <p><b>2-6</b> "Fix" your TV's channel setting to 2-6 and use the cable box or satellite receiver to change channels. Select one of these settings if you connected the equipment to the VHF/UHF jack.</p> <p><b>AUX 2-6</b> Same as 2-6, except you select one of these settings if you connected the equipment to the AUX jack (see page 17).</p> <p><b>Video 1</b> Use this setting if you have connected the equipment to the A/V input jacks.</p>
<b>Auto Program</b>	Automatically sets up the channel list on the TV for all receivable channels.

 Channels that you set to be skipped can be accessed only with the 0-9 buttons.

 Channel Label is not available (grayed out) when watching 480p, 720p, and 1080i sources.

<i>Option</i>	<i>Description</i>
<a href="#">Channel Skip/Add</a>	<p>Allows you to customize the channel list that appears when you use the CH+/- buttons.</p> <ol style="list-style-type: none"><li>1 Move the joystick  or  to scroll through the channels until you find the channel you want to skip or add. Then press .</li><li>2 Move the joystick  or  to toggle between <a href="#">Add</a> or <a href="#">Skip</a>. Then press .</li><li>3 To add or skip more channels, repeat steps 1 and 2.</li><li>4 Move the joystick  to return to the Channel Menu, or press <a href="#">MENU</a> to exit the Menus.</li></ol>
<a href="#">Channel Label</a>	<p>Allows you to assign labels (such as station call letters) to channel numbers. You can label up to 20 channels.</p> <ol style="list-style-type: none"><li>1 Move the joystick to highlight <a href="#">Channel</a> and press .</li><li>2 Move the joystick   to scroll through the channel numbers (1-125). Then press .</li><li>3 Move the joystick to highlight <a href="#">Label</a> and press .</li><li>4 Move the joystick   to scroll through the label characters (A-Z, 0-9, etc.). Then press .</li><li>5 Repeat to add up to 5 characters to the label.</li><li>6 To assign labels to more channels, repeat steps 1-4.</li><li>7 Move the joystick  to return to the Channel Menu, or press <a href="#">MENU</a> to exit the Menus.</li></ol>



## Using the Parent Menu

The Parent Menu allows you to set up the TV to block programs according to their content and rating levels.



### To select the Parent Menu

- 1 Press **MENU**.
- 2 Move the joystick **←** or **→** to highlight the Parent icon and press **[Enter]**.
- 3 Use the **0-9** buttons on the remote control to enter a four-digit password.
- 4 If this is the first time you are creating this password, confirm the password by entering it again. (The Parent Menu options appear.)
- 5 Move the joystick **↑ ↓ ← →** to change settings. Press **[Enter]** to select the changed setting.
- 6 Press **MENU** to exit the Menu.

**You need your password for any future access into the Parent Menu. If you lose your password, see "Lost password" on page 94.**

## Selecting Parent Options


If you are not familiar with the Parental Guideline rating system, you should select **Child**, **Youth**, or **Young Adult** to help simplify the rating selection. To set more specific ratings, select **Custom**.


For descriptions of **Child**, **Youth**, and **Young Adult** ratings, see page 81.


The Parent Menu includes the following options:

Option	Description
<b>Parental Lock</b>	<b>Off</b> Parental lock is off. No programs are blocked from viewing.
<b>Turn ratings on/off and select a rating system</b>	<p><b>Child</b> Maximum ratings permitted are:</p> <ul style="list-style-type: none"> <li><input type="checkbox"/> US: TV-Y, TV-G, G</li> <li><input type="checkbox"/> Canada: C, G, TV-Y</li> </ul> <p><b>Youth</b> Maximum ratings permitted are:</p> <ul style="list-style-type: none"> <li><input type="checkbox"/> US: TV-PG, PG</li> <li><input type="checkbox"/> Canada: C8+, PG, 8 ans+, TV-PG</li> </ul> <p><b>Y. Adult</b> Maximum ratings permitted are:</p> <ul style="list-style-type: none"> <li><input type="checkbox"/> US: TV-14, PG-13</li> <li><input type="checkbox"/> Canada: 14+, 13 ans+, TV-14</li> </ul> <p><b>Custom</b> Select to set ratings manually.</p> <ul style="list-style-type: none"> <li><input type="checkbox"/> US: See page 81 for details.</li> <li><input type="checkbox"/> Canada: See page 82 for details.</li> </ul>
<b>Change Password</b>	For changing your password.
<b>Select Country</b>	<p><b>U.S.A.</b> Select to use USA ratings (see page 81).</p> <p><b>Canada</b> Select to use Canadian ratings (see page 82).</p>

## US Models: Selecting Custom Rating Options

 The Content-Based Ratings are linked to the level of the Age-Based Rating. For example, a program with an Age-Based Rating of TV-PG V (Violence) rating may contain moderate violence, while a TV-14 V (Violence) rating may contain more intense violence.

 To ensure maximum blocking capability, set the Age-Based Ratings.

 If you block unrated TV programs, be aware that the following types of programs may be blocked: programs broadcast from another country, emergency broadcasts, political programs, sports, news, public service announcements, religious programs and weather.

## Viewing Blocked Programs

For US models, the Custom Rating Menu includes the following options. (For Canadian models, see page 82.)

Option	Description
<b>Movie Rating</b>	<b>G</b> All children and General Audience.
	<b>PG</b> Parental Guidance suggested.
	<b>PG-13</b> Parental Guidance for children under 13.
	<b>R</b> Restricted viewing, parental guidance is suggested for children under 17.
	<b>NC-17 and X</b> No one 17 or under allowed.
<b>TV Rating</b> <i>Block programs by their rating, content or both</i>	<b>Age-Based Ratings</b>
	<b>TV-Y</b> All children.
	<b>TV-Y7</b> Directed to children age 7 and older.
	<b>TV-G</b> General Audience.
	<b>TV-PG</b> Parental Guidance suggested.
	<b>TV-14</b> Parents Strongly cautioned.
	<b>TV-MA</b> Mature Audience only.
	<b>Content-Based Ratings</b>
	<b>FV</b> Fantasy Violence.
	<b>D</b> Suggestive Dialogue.
<b>L</b> Strong Language.	
<b>S</b> Sexual situations.	
<b>V</b> Violence.	
<b>Unrated</b> <i>Block programs or movies that are broadcast without a rating</i>	<b>Block</b> Blocks all programs and movies that are broadcast without a rating.
	<b>Allow</b> Allows programs and movies that are broadcast without a rating.

You can view blocked programs by entering the password. Press the **ENTER** button when tuned to a blocked program, then enter the password. This temporarily switches off the Parental Lock. To reactivate the Parental Lock settings, turn off the TV. When the TV is turned on again, your Parental Lock settings are reactivated.

## Canadian Models: Selecting Custom Rating Options

For Canadian models, the Custom Rating Menu includes the following options. (For US models, see page 81.)

Option	Description	
English Rating	C	All children.
	C8+	Children 8 years and older.
	G	General programming.
	PG	Parental Guidance.
	14+	Viewers 14 and older.
	18+	Adult programming.
French Rating	G	General programming.
	8 ans+	Not recommended for young children.
	13 ans+	Not recommended for ages under 13.
	16 ans+	Not recommended for ages under 16.
	18 ans+	Programming restricted to adults.
U.S.A. Rating	See "US Models" on page 81 for details.	

## Viewing Blocked Programs

You can view blocked programs by entering the password. Press the **ENTER** button when tuned to a blocked program, then enter the password. This temporarily switches off the Parental Lock. To reactivate the Parental Lock settings, turn off the TV. When the TV is turned on again, your Parental Lock settings are reactivated.




## Using the Setup Menu

### To select the Setup Menu

- 1 Press **MENU**.
- 2 Move the joystick **←** or **→** to highlight the Setup icon and press **⊕**.
- 3 Move the joystick to highlight an option. Press **⊕** to select an option.
- 4 Move the joystick **↑ ↓ ← →** to change settings. Press **⊕** to select the changed setting.
- 5 Press **MENU** to exit the Menu.



 To move from within one Menu to the main Menu of icons, move the joystick **←**.


## Selecting Setup Options


The Setup Menu includes the following options:


Option	Description
Caption Vision	Allows you to select from three closed caption modes (for programs that are broadcast with closed caption).
CC1, CC2, CC3, CC4	Displays a printed version of the dialog or sound effects of a program. (Should be set to <b>CC1</b> for most programs.)
Text1, Text2, Text3, Text4	Displays network/station information presented using either half or the whole screen (if available). For closed captioning, set to <b>CC1</b> .
Info	Displays the program name and the time remaining in the program (if the broadcaster offers this service). Displays when the channel is changed or the <b>DISPLAY</b> button is pressed.
Off	Turns off Caption Vision.









Option	Description							
Video Label	<p>Allows you to identify A/V equipment you connected to the TV, such as a VCR, DVD, etc. For example, if you have a DVD player connected to the VIDEO 5 jack, you can select the label <b>DVD</b> for the VIDEO 5 input. Then when you press the <b>TV/VIDEO</b> button to change inputs, the Video Label you assigned to that input appears on screen.</p> <ol style="list-style-type: none"> <li>1 Move the joystick <b>▲</b> or <b>▼</b> to highlight the video input (VIDEO 1-7) to which you want to assign a label. Then press <b>⊕</b> to select the input.</li> <li>2 Move the joystick <b>▲</b> or <b>▼</b> to highlight one of the displayed labels. Then press <b>⊕</b> to select the label.</li> </ol> <p>You can select from the following labels for each input:</p> <table border="1"> <tr> <td>Video 1/2/3/4</td> <td>VHS, DVD, Receiver, Satellite, Cable Box, 8mm, DTV, Game, LD, Web, Beta, Skip</td> </tr> <tr> <td>Video 5/6/7</td> <td>DVD, Satellite, Cable Box, DTV, HD, Skip</td> </tr> </table> <p><b>✍ If you select Skip, your TV skips this input when you press the TV/VIDEO button.</b></p>	Video 1/2/3/4	VHS, DVD, Receiver, Satellite, Cable Box, 8mm, DTV, Game, LD, Web, Beta, Skip	Video 5/6/7	DVD, Satellite, Cable Box, DTV, HD, Skip			
Video 1/2/3/4	VHS, DVD, Receiver, Satellite, Cable Box, 8mm, DTV, Game, LD, Web, Beta, Skip							
Video 5/6/7	DVD, Satellite, Cable Box, DTV, HD, Skip							
Language	Select to display all on-screen Menus in your language of choice.							
Clock/Timers	<p>Select to set the clock and to program your TV to turn on and off at two scheduled viewing times.</p> <table border="1"> <tr> <td>Timer 1</td> <td rowspan="2">You can use the Timers to program the TV to turn on and off and tune to a specific channel at two scheduled viewing times.</td> </tr> <tr> <td>Timer 2</td> </tr> </table> <p>Timer 1 and Timer 2 are not available to be set until you set the <b>Current Time</b>.</p> <ol style="list-style-type: none"> <li>1 Move the joystick <b>▲</b> or <b>▼</b> to highlight <b>Timer 1</b> or <b>Timer 2</b>. To set the timer, move the joystick <b>▶</b>.</li> <li>2 Move the joystick <b>▲</b> or <b>▼</b> to highlight one of the following options, then press <b>⊕</b>. <table border="1"> <tr> <td>Program</td> <td>Select to set the Timer by day, time, duration, and channel.</td> </tr> <tr> <td>Off</td> <td>Select to turn off the Timer. (Your previous settings are saved.)</td> </tr> </table> </li> <li>3 If you selected <b>Program</b> in step 2, move the joystick <b>▲</b> and <b>▼</b> to set the day(s), hour, minute, duration, and channel number. Press <b>⊕</b> or move the joystick <b>▶</b> to confirm each setting and move to the next setting. Move the joystick <b>◀</b> to go back to the previous setting.</li> <li>4 Press <b>MENU</b> to exit the Menu. An LED on the front panel will light, indicating the timer has been set.</li> </ol>	Timer 1	You can use the Timers to program the TV to turn on and off and tune to a specific channel at two scheduled viewing times.	Timer 2	Program	Select to set the Timer by day, time, duration, and channel.	Off	Select to turn off the Timer. (Your previous settings are saved.)
Timer 1	You can use the Timers to program the TV to turn on and off and tune to a specific channel at two scheduled viewing times.							
Timer 2								
Program	Select to set the Timer by day, time, duration, and channel.							
Off	Select to turn off the Timer. (Your previous settings are saved.)							

 The **Skip** label is useful for inputs that do not have equipment connected to them.

 To go directly to programming Timer 1 or 2, press **⊕** instead of moving the joystick **▶**.

 You can also access Flash Focus by pressing the **FLASH FOCUS** button on the front panel of the TV. For details, see pages 14-15.

<i>Option</i>	<i>Description</i>
<b>Clock/Timers</b> (continued)	<b>Current Time</b> <ol style="list-style-type: none"><li>1 Press  to select <b>Current Time</b>.</li><li>2 Move the joystick  and  to set the current time (day, hour, and minute). Press  (or move the joystick ) to confirm each setting and move to the next setting. Move the joystick  to go back to the previous setting.</li><li>3 Press <b>MENU</b> to exit the Menu.</li></ol>
<b>Flash Focus</b>	Allows you to adjust the convergence automatically. For details, see page 44.
<b>Convergence</b>	Allows you to fine-tune the convergence manually. For details, see page 45.
<b>Demo</b>	Runs a demonstration of on-screen Menus.



# Other Information

## Overview

This chapter includes the following topics:

<i>Topic</i>	<i>Page</i>
Glossary	88
Notes on Using Memory Stick Media	89
Contacting Sony	90
Troubleshooting	90
Specifications	95
Optional Accessories	96
Index	97

# Glossary

## analog signal

A signaling method that uses continuous changes in the amplitude or frequency of an electronic transmission to convey information.

## aspect ratio

Refers to the ratio between the width and height of the screen. This TV has a 16:9 (widescreen) aspect ratio, as opposed to a 4:3 aspect ratio.

### 4:3 aspect ratio



### 16:9 aspect ratio



## component video



Component video is sent through three cables: two color shade (chrominance) signals and one brightness (luminance) signal. Component video achieves greater color accuracy than composite video or S VIDEO by splitting chrominance into two separate portions.

## composite video



Composite video is sent through a single cable. Composite video combines the color shade (chrominance) and brightness (luminance) information into one video signal.

## digital television (DTV)

A new technology for transmitting and receiving broadcast television signals. DTV provides higher resolution and improved sound quality over analog television.

## National Television System Committee (NTSC)

A unit of the Federal Communications Commission, Washington, DC, that establishes television standards in the United States, such as NTSC Color, the standard used in this TV.

## RF

Radio Frequency. That part of the frequency spectrum in which it is possible to radiate (transmit) electromagnetic waves.

## S VIDEO



S VIDEO requires a single cable, which carries the brightness (luminance) and color (chrominance) signals of the picture separately. S VIDEO provides better resolution than composite video, which carries the signals together.

## VHF/UHF

VHF (Very High Frequency) is the part of the radio spectrum from 30 to 300 megahertz. UHF (Ultra High Frequency) is the part of the radio spectrum from 300 to 3,000 megahertz.

## 480i

Provides 480 lines of resolution. Displays images using interlaced scanning, which first transmits all the odd lines on the TV screen and then the even lines.

## 480p

Provides 480 lines of resolution. Displays images using progressive scanning, which transmits each line from top to bottom.

## 720p

Provides 720 lines of resolution. Displays images using progressive scanning, which transmits each line from top to bottom.

## 1080i

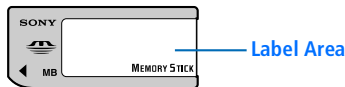
Provides 1080 lines of resolution. Displays images using interlaced scanning, which first transmits all the odd lines on the TV screen and then the even lines. 1080i is one of the formats used by HDTV (High Definition TV).

## Notes on Using Memory Stick Media

### Memory Stick Precautions

When using Memory Stick media, follow these precautions:

- ❑ To avoid permanent damage to still image data, do not turn off the TV or remove Memory Stick media from the insertion slot while data is being read (as indicated by the Memory Stick indicator light being on).
- ❑ Avoid touching the terminal of Memory Stick media or bringing it into contact with a metal object.
- ❑ Do not drop, bend, or submit Memory Stick media to external shock.
- ❑ Do not disassemble or modify Memory Stick media.
- ❑ Avoid getting liquid on Memory Stick media.
- ❑ Apply labels only within the designated label area.




- ❑ To avoid permanent damage to still image data, do not use or store Memory Stick media in a location subject to:
  - ❑ High temperature (such as near a heater or inside a hot car)
  - ❑ High humidity
  - ❑ Direct sunlight
  - ❑ Corrosive substances
  - ❑ Magnetic fields
  - ❑ Excessive dust
  - ❑ Static electricity or electric noise
- ❑ Store and carry Memory Stick media in its original case to ensure protection of stored data.
- ❑ Save a backup of stored data.

## Contacting Sony

If, after reading these operating instructions, you have additional questions related to the use of your Sony television, please call our Customer Information Services Center at 1-800-222-SONY (7669) (US residents only) or (416) 499-SONY (7669) (Canadian residents only).

## Troubleshooting

If you are having problems with your TV, you can reset all the TV's settings to their original factory default settings, as follows.

 **Notice:** The following procedure resets all custom settings, channel lists, etc., to the factory default settings.

- 1 Turn on the TV.
- 2 Hold down the **RESET** button on the remote control.
- 3 Press the **POWER** button on the front panel of the TV.
- 4 Release the **RESET** button on the remote control.

### Twin View

Problem	Possible Remedies
I cannot get Twin View to work	<ul style="list-style-type: none"><li>❑ If you are using a cable box to unscramble all channels (as shown on page 24), you cannot use the Twin View feature. This is because the cable box can unscramble only one channel at a time. But if you need the cable box to unscramble only some (usually premium) channels, you can use Twin View for unscrambled channels if you connect both a cable and cable box, as shown on page 22.</li><li>❑ You can use Twin View to view a signal from a different source that is connected to the TV's A/V jacks (such as a VCR or DVD player) in the second window by pressing the <b>TV/VIDEO</b> button while in Twin View.</li><li>❑ Sources connected to the AUX, VIDEO 5, VIDEO 6, and VIDEO 7 inputs display in the left Twin View window, but not the right.</li></ul>
There is no Twin View window, or it is just static	<ul style="list-style-type: none"><li>❑ Be sure the Twin View window is set to a video input or channel that has a signal airing.</li><li>❑ You might be tuned to a video input with nothing connected to it. Try cycling through the video inputs by pressing the <b>TV/VIDEO</b> button.</li><li>❑ If you connected equipment to the TV's AUX jack, it will display in the left Twin View window, but not the right.</li></ul>
Twin View cannot display anything but TV channels	<ul style="list-style-type: none"><li>❑ Try cycling through the video inputs by pressing the <b>TV/VIDEO</b> button. Check that the <b>Video Label</b> option is not set to <b>Skip</b>. (See the Setup Menu on page 84.)</li></ul>
Twin View displays the same program in both windows	<ul style="list-style-type: none"><li>❑ Both Twin View windows might be set to the same channel. Try changing channels in either window.</li></ul>



## Remote Control

Problem	Possible Remedies
Remote control does not operate	<ul style="list-style-type: none"> <li><input type="checkbox"/> The batteries could be weak. Replace the batteries.</li> <li><input type="checkbox"/> Check the orientation of the batteries.</li> <li><input type="checkbox"/> Press the <b>TV FUNCTION</b> button. You may have inadvertently pressed the <b>SAT/CABLE FUNCTION</b> button, which changes the remote control to SAT or CABLE mode.</li> <li><input type="checkbox"/> Make sure the TV's power cord is connected securely to the wall outlet.</li> <li><input type="checkbox"/> Locate the TV at least 3-4 feet away from fluorescent lights.</li> </ul>
Cannot change channels with the remote control	<ul style="list-style-type: none"> <li><input type="checkbox"/> If you are using the TV to change channels, first press the <b>TV FUNCTION</b> button.</li> <li><input type="checkbox"/> If you are using another device to change channels, be sure you have not inadvertently switched your TV from the channel 3 or 4 setting. Use the <b>Channel Fix</b> option to "fix" the channel based on the hookup you used (see page 78).</li> <li><input type="checkbox"/> If you are using another device to change channels, be sure to press the <b>FUNCTION</b> button for that device. For example, if you are using your cable box to change channels, be sure to press the <b>SAT/CABLE FUNCTION</b> button.</li> </ul>
Remote control does not operate non-Sony video equipment	<ul style="list-style-type: none"> <li><input type="checkbox"/> If you replaced the batteries to the remote recently, the code numbers for the video equipment may need to be reset.</li> <li><input type="checkbox"/> There may be more than one code for the equipment that you are attempting to operate.</li> <li><input type="checkbox"/> There is a possibility that some non-Sony equipment cannot be operated by your Sony TV remote. You may need to use the equipment's original remote control.</li> </ul>

## Memory Stick

Problem	Possible Remedies
Image does not display	<ul style="list-style-type: none"> <li><input type="checkbox"/> Make sure the image is supported by the TV (see pages 64-65).</li> <li><input type="checkbox"/> Make sure the Memory Stick is inserted properly (see page 66).</li> <li><input type="checkbox"/> Memory Stick functions are not available while using Twin View, Freeze or Favorite Channel functions.</li> </ul>
Blank square appears instead of a thumbnail image	<ul style="list-style-type: none"> <li><input type="checkbox"/> This indicates that the image does not support a thumbnail view. Selecting the icon, however, displays the full-size image on the screen. It could also indicate that both the thumbnail and full-size images are corrupted or not supported.</li> </ul>
Cannot rotate image, no thumbnail appears	<ul style="list-style-type: none"> <li><input type="checkbox"/> Be sure the LOCK switch on the Memory Stick is set to off.</li> <li><input type="checkbox"/> If a blank square appears instead of the thumbnail image, this indicates that the image does not support a thumbnail view and cannot be rotated.</li> </ul>
Cannot hear audio while using Memory Stick	<ul style="list-style-type: none"> <li><input type="checkbox"/> There is no audio available while using Memory Stick.</li> </ul>
Image file name does not appear; instead, dashes (--) appear	<ul style="list-style-type: none"> <li><input type="checkbox"/> Dashes appear instead of the file name if the image was recorded using equipment that is not DCF-compliant. Dashes also appear if a DCF-compliant file was renamed.</li> </ul>

## Video

Problem	Possible Remedies
No picture (screen not lit), no sound	<ul style="list-style-type: none"><li>❑ If your TV does not turn on, and a red light keeps flashing, your TV may need service. Call your local Sony Service Center.</li><li>❑ Make sure the power cord is plugged in.</li><li>❑ Press the <b>POWER</b> button on the front of the TV.</li><li>❑ Press the <b>TV/VIDEO</b> button to cycle through the connected video sources.</li><li>❑ Try another channel; it could be station trouble.</li></ul>
Dark, poor or no picture (screen lit), good sound	<ul style="list-style-type: none"><li>❑ Adjust the <b>Picture</b> option in the Video Menu (see page 72).</li><li>❑ Adjust the <b>Brightness</b> option in the Video Menu (see page 72).</li><li>❑ Check the antenna/cable connections.</li></ul>
No color	<ul style="list-style-type: none"><li>❑ Adjust the <b>Color</b> option in the Video Menu (see page 72).</li></ul>
Only snow and noise appear on the screen	<ul style="list-style-type: none"><li>❑ Check the antenna/cable connections.</li><li>❑ Try another channel; it could be station trouble.</li><li>❑ Press <b>ANT</b> to change the input mode (see page 48).</li></ul>
Dotted lines or stripes	<ul style="list-style-type: none"><li>❑ Adjust the antenna.</li><li>❑ Move the TV away from noise sources such as cars, neon signs, or hair-dryers.</li></ul>
Double images or ghosts	<ul style="list-style-type: none"><li>❑ Using a highly directional outdoor antenna or a cable may solve the problem.</li></ul>
“Black box” on screen	<ul style="list-style-type: none"><li>❑ You have selected a text option in the Setup Menu and no text is available. (See page 83 to reset Setup selections.) To turn off this feature, set the <b>Caption Vision</b> option to <b>Off</b>. If you were trying to select closed captioning, select <b>CC1</b> instead of <b>TEXT 1-4</b>.</li></ul>
Black bands appear at the top and bottom of the screen	<ul style="list-style-type: none"><li>❑ Some wide-screen programs are filmed in aspect ratios that are greater than 16:9 (this is especially common with theatrical releases). Your TV will show these programs with black bands at the top and bottom of the screen. For more details, check the documentation that came with your DVD (or contact your program provider).</li></ul>
Certain programs on DVD or other digital sources display a loss of detail, especially during fast-motion or dark scenes	<ul style="list-style-type: none"><li>❑ The compression used by certain digital broadcasts and DVDs may cause your TV's screen to display less detail than usual, or cause artifacts (small blocks or dots, pixelations) to appear on your screen. This is due to your TV's large screen and ability to show very fine detail, and is normal for certain digitally recorded programs. Adjust the reality/clarity in the DRC Palette menu (see page 73) to optimize the picture while viewing these sources.</li></ul>

## Audio

<b>Problem</b>	<b>Possible Remedies</b>
Good picture, no sound	<ul style="list-style-type: none"><li>❑ Press <b>MUTING</b> so that <b>Muting</b> disappears from the screen (see page 48).</li><li>❑ Make sure the <b>Speaker</b> option is set to <b>On</b> in the Audio Menu (see page 75).</li></ul>
Cannot gain enough volume when using a cable box	<ul style="list-style-type: none"><li>❑ Increase the volume of the cable box using the cable box's remote control. Then press <b>TV FUNCTION</b> and adjust the TV's volume.</li></ul>
Sound seems weak or insufficient	<ul style="list-style-type: none"><li>❑ The TV's audio might be set to <b>Auto SAP</b> or <b>Mono</b>, when it might be better set to <b>Stereo</b>. In the Audio Menu (see page 74), set the <b>MTS</b> setting to <b>Stereo</b>. If already set to <b>Stereo</b>, switch to <b>Mono</b> (which may reduce background noise during weak stereo broadcasts).</li></ul>
Cannot raise the volume on external audio speakers	<ul style="list-style-type: none"><li>❑ If the <b>Speaker</b> option is set to <b>Off</b> and the <b>Audio Out</b> option is set to <b>Fixed</b> (in order to output the sound to your audio system) use your audio receiver to adjust the sound (see page 74). Or, to use the TV remote control, set the <b>Audio Out</b> option to <b>Variable</b>.</li><li>❑ To turn on the TV speakers, set the <b>Speaker</b> option to <b>On</b> (see page 74).</li></ul>

## Channels

<b>Problem</b>	<b>Possible Remedies</b>
Cannot receive upper channels (UHF) when using an antenna	<ul style="list-style-type: none"><li>❑ Change the <b>Cable</b> option to <b>Off</b> (see page 78).</li><li>❑ Use <b>Auto Program</b> in the Channel Menu to add receivable channels that are not presently in the TV's memory (see page 78).</li></ul>
TV is fixed to one channel	<ul style="list-style-type: none"><li>❑ Use <b>Auto Program</b> in the Channel Menu to add receivable channels that are not presently in the TV's memory (see page 78).</li><li>❑ Check your Channel Fix settings (see page 78).</li></ul>
Cannot receive any channels when using cable TV	<ul style="list-style-type: none"><li>❑ Use <b>Auto Program</b> in the Channel Menu to add receivable channels that are not presently in the TV's memory (see page 78).</li><li>❑ Make sure the <b>Cable</b> option is set to <b>On</b> in the Channel Menu (see page 78).</li></ul>
Cannot receive or select channels	<ul style="list-style-type: none"><li>❑ Use <b>Auto Program</b> in the Channel Menu to add receivable TV channels that are not presently in TV memory (see page 78).</li></ul>

## General

<i>Problem</i>	<i>Possible Remedies</i>
How to reset TV to factory settings	<ul style="list-style-type: none"><li>❑ Turn on the TV. While holding down the <b>RESET</b> button on the remote control, press the <b>POWER</b> button on the TV. (The TV will turn itself off, then back on again.) Release the <b>RESET</b> button.</li></ul>
How to restore Video settings to factory settings	<ul style="list-style-type: none"><li>❑ Press the <b>RESET</b> button on the remote control while in the Video Menu (see page 72).</li></ul>
How to restore Audio settings to factory settings	<ul style="list-style-type: none"><li>❑ Press the <b>RESET</b> button on the remote control while in the Audio Menu (see page 74).</li></ul>
Cannot cycle through the other video equipment connected to the TV	<ul style="list-style-type: none"><li>❑ Be sure the <b>Video Label</b> option is not set to <b>Skip</b> (see page 84).</li></ul>
Cannot operate Menu	<ul style="list-style-type: none"><li>❑ If a menu option appears in gray, this indicates that the TV is in a state in which the menu option is not available.</li></ul>
Lost password	<ul style="list-style-type: none"><li>❑ In the password screen (see page 80), enter the following master password: <b>4357</b>. The master password clears your previous password; it cannot be used to temporarily unblock channels.</li></ul>
LED on front panel is lit	<ul style="list-style-type: none"><li>❑ The <b>STAND BY LED</b> (see page 14) blinks when the TV is turned on, then shuts off when the picture is displayed. If the LED blinks continuously, this may indicate the TV needs service.</li><li>❑ The <b>TIMER LED</b> (see page 14) indicates that the timer is set. When the timer is set, this LED will remain lit even when the TV is turned off.</li></ul>

## Specifications

Projection System	3 picture tubes, 3 lenses, horizontal in-line system	
Picture Tube	7-inch high-brightness monochrome tubes (6.3 raster size), with optical coupling and liquid cooling system	
Projection Lenses	High performance, large diameter hybrid lens F1.1	
Antenna	75 ohm external terminal for VHF/UHF	
Television System	NTSC, American TV Standard	
Channel Coverage	VHF	2-13
	UHF	14-69
	CATV	1-125
Power Requirements	120V, 60 Hz	
Inputs/Outputs		
DVI-HDTV	1 terminal, 3.3V T.M.D.S., 50 ohms The DVI-HDTV input terminal is compliant with the EIA-861 standard and is not intended for use with personal computers.	
Video (IN)	4 total (1 on front panel)	1 Vp-p, 75 ohms unbalanced, sync negative
S Video (IN)	3 total (1 on front panel)	Y: 1 Vp-p, 75 ohms unbalanced, sync negative C: 0.286 Vp-p (Burst signal), 75 ohms
Audio (IN)	7 total (1 on front panel)	500 mVrms (100% modulation) Impedance: 47 kilohm
Component Video Input	2 (Y, P <sub>B</sub> , P <sub>R</sub> )	Y: 1.0 Vp-p, 75 ohms unbalanced, sync negative; P <sub>B</sub> : 0.7 Vp-p, 75 ohms P <sub>R</sub> : 0.7 Vp-p, 75 ohms
CONTROLS (IN/OUT)	1	
Variable/Fixed Audio (OUT)	1	More than 408 mVrms at the maximum volume setting (Variable) More than 408 mVrms (Fixed) Impedance (output): 2 kilohms
Supplied Accessories	Remote Control	RM-Y188
	AA (R6) Batteries	2 supplied for remote control
Screen Size (measured diagonally)	KP-57WV600/700	57 inches
	KP-65WV600/700	65 inches
Speaker Output	20W x 2	
Dimensions (W x H x D)	KP-57WV600/700	1361 x 1394 x 689 mm (53 <sup>5</sup> / <sub>8</sub> x 54 <sup>15</sup> / <sub>16</sub> x 27 <sup>1</sup> / <sub>8</sub> in)
	KP-65WV600/700	1542 x 1516 x 735 mm (60 <sup>3</sup> / <sub>4</sub> x 59 <sup>3</sup> / <sub>4</sub> x 28 <sup>15</sup> / <sub>16</sub> in)
Mass	KP-57WV600/700	98Kg (216 lbs)
	KP-65WV600	136Kg (300 lbs)
	KP-65WV700	134Kg (295 lbs)
Power Consumption	In Use	295 W
	In Standby	Under 1 W

Design and specifications are subject to change without notice.

## ***Optional Accessories***

- ❑ A/V Cable (VMC-810/820/830 HG)
- ❑ Audio Cable (RKC-515HG)
- ❑ Component Video Cable (VMC-10/30 HG)
- ❑ Control S Cable (RK-G69HG)
- ❑ Memory Stick media: 8 MB (MSA-8A); 16 MB (MSA-16A); 32 MB (MSA-32A); 64 MB (MSA-64A); 128 MB (MSA-128A)

# Index

0-9 buttons 49, 56  
16:9 aspect ratio 58  
4:3 aspect ratio 58  
4:3 Default settings 77

## A

Advanced Video 73  
ANT button 48, 56  
antenna, connecting 19  
Audio Menu 71, 74  
Audio Out 75  
audio receiver, connecting 41  
Auto Program (channel setup) 43, 78  
Auto SAP, MTS setting 74  
AUX jack, described 17  
AV1-3/DVD slide switch 50

## B

balance, adjusting 74  
bass, adjusting 74  
batteries, inserting in remote 47  
bilingual audio 74  
blocking programs. *See ratings.*  
brightness, adjusting 72

## C

cable  
    connecting 19  
    setting On/Off 78  
    with VCR, connecting 26  
cable box  
    connecting with VCR 28  
    Twin View issues 59  
    using with TV remote control 54  
Caption Vision 83  
carrying the TV 12  
CATV. *See cable*  
CH buttons 14, 15, 49, 56  
changing picture size, in Twin View 61  
Channel Menu 71, 78  
Channel Skip/Add 79  
channels

    creating labels 79  
    setting up 43  
CineMotion 10, 48, 73  
ClearEdge VM 10, 73  
clearing, Favorite Channels 62  
closed caption modes 71, 83  
CODE SET button 49  
color, adjusting 72  
CONTROL S 42  
CONTROL S IN/OUT jacks, described 17  
Convergence, adjusting automatically 44  
Convergence, adjusting manually 45  
Cool, Color Temperature 72

## D

Demo, Menus 85  
Digital Reality Creation 9  
Digital Visual Interface (DVI) 10, 17  
DISC MENU button 50, 54  
DISPLAY button 49, 56  
DRC Mode 73  
DRC MODE button 48  
DRC Palette 73  
DRC PALETTE button 49  
DRC. *See Digital Reality Creation.*  
DVD player  
    using with TV remote control 54  
    with A/V connectors, connecting 38  
DVI. *See Digital Visual Interface.*  
DVI-HDTV 17, 95

## E

Effect button 50  
ENTER button 49, 56

## F

Fast-forward button 50  
Favorite Channels  
    clearing 62  
    in Channel Menu 78  
    using 62  
FAVORITES button 48



features 9  
Fixed audio setting 75  
Flash Focus 44  
FREEZE button 50, 63  
Freeze, using 63  
Full mode, setting 76

## G

GUIDE button 49

## H

HD Detailer 10  
HD/DVD IN (1080i/720p/480p/480i) jacks,  
described 17  
hue, adjusting 72

## I

INDEX button 48, 57  
interlaced 9, 48, 73, 88

## J

joystick 48  
JUMP button 48, 56

## L

label  
channels 79  
Language, setting 84  
LOCK switch, Memory Stick 70

## M

MDP, using with TV remote control 54  
Memory Stick  
Index 68  
indicator (LED) 14, 15  
inserting 66  
insertion slot 14, 15  
Menu 67  
precautions 89  
Rotate Picture 70  
Setup options 69  
Slideshow 69  
supported and unsupported images 64  
troubleshooting 91  
using 64–70  
Memory Stick button 49  
MENU button 48, 50, 56, 71  
Menus

Audio 71, 74  
Channel 71, 78  
Parent 71, 80  
Setup 83  
Video 71, 72, 76  
Mono, MTS setting 74  
Movie mode 72  
MTS 74  
MUTING button 48, 56

## N

Neutral, Color Temperature 72  
Normal mode, setting 76

## O

off, turning off the TV 14, 15  
on, turning on the TV 14, 15

## P

Parent Menu 71, 80  
parental control, described 10  
password, changing 80  
Pause button 50  
PIC MODE button 49  
picture contrast, adjusting 72  
Picture in Picture. *See Twin View.*  
Play button 50  
POWER button 14, 15  
powering on/off, the TV 14, 15  
presetting channels 78  
Pro (Video) mode 72  
problems, troubleshooting 90–94  
progressive 9, 48, 73, 88

## R

ratings, setting 80–82  
ratings, viewing blocked programs 81, 82  
Record buttons 50  
remote control  
inserting batteries 47  
programming 51–52  
removing, Favorite Channels 62  
RESET button 48  
resetting  
Audio options 74  
Rewind button 50  
rotate picture, Memory Stick 70

## S

- S VIDEO jack, described 13, 17
- SAT/CABLE FUNCTION button 48
- SAT/CABLE POWER button 49
- satellite receiver, using with TV remote control 53
- Scrolling Index, using 57
- SELECT button 50
- setting up channels 43
- Setup Menu 83
- sharpness, adjusting 72
- Simulated, Effect 74
- sizing, picture in Twin View 61
- SLEEP button 48
- slideshow 69
- speakers
  - turning on/off 75
  - using external speakers 75
- specifications 95
- STAND BY indicator 14, 15, 94
- Standard mode 72
- Steady Sound, described 10
- Steady Sound, setting 74
- Stereo, MTS setting 74
- Stop button 50
- surround sound 74
- SYSTEM OFF button 50

## T

- Timer 84
- TIMER indicator 14, 15, 94
- timers, setting 84
- transport buttons 50
- treble, adjusting 74
- troubleshooting 90–94
- TruSurround 74
- TruSurround, Effect 74
- turning on/off the TV 14, 15
- TV FUNCTION button 48, 56
- TV POWER button 49, 56
- TV/VCR button 50
- TV/VIDEO button 48, 56
- Twin View
  - described 10
  - using 59–61
- Twin View button 49

## U

- Uniform Brightness Screen 10

## V

- Variable audio setting 75
- VCR
  - using with TV remote control 53
  - with cable box, connecting 28
  - with cable, connecting 26
  - with satellite receiver, connecting 34
- VCR/DVD button 50
- Vertical Center, adjusting 77
- VHF/UHF jack, described 17
- VIDEO (L/R)/AUDIO jacks, described 17
- Video Menu 71, 72
- Video modes, selecting 72
- Vivid mode 72
- VOL buttons 14, 15, 48, 56

## W

- Warm, Color Temperature 72
- Wide Mode 76
- WIDE MODE button 48
- Wide Screen, described 9
- Wide Zoom mode, setting 76

## Z

- zoom feature, with Twin View 61
- Zoom mode, setting 76



**SONY**

4-088-026-21



# **Télévision à projection à grand écran**

**Mode d'emploi**

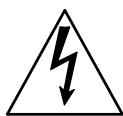
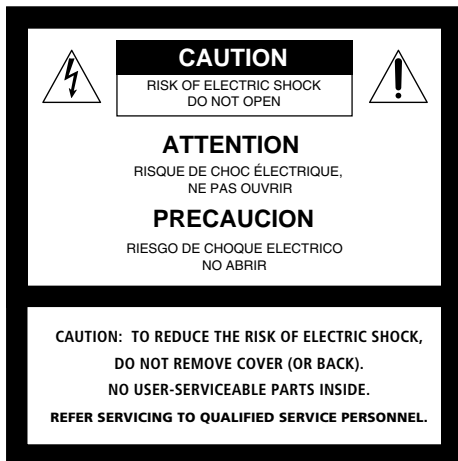
© 2002 Sony Corporation

**KP-57WV700 KP-65WV700**



## AVERTISSEMENT

Afin d'éviter tout risque d'incendie ou d'électrocution, ne pas exposer la télévision à projection à la pluie ou à l'humidité.



Ce symbole vise à signaler à l'utilisateur la présence, au sein de l'appareil, d'une « tension dangereuse » non isolée, dont la puissance peut être suffisante pour représenter un risque d'électrocution.



Ce symbole vise à signaler à l'utilisateur la présence d'instructions importantes concernant le mode d'emploi et l'entretien, dans les documents accompagnant l'appareil.

## ATTENTION

Afin de prévenir tout danger d'électrocution, ne pas utiliser cette fiche polarisée à c.a. avec une rallonge, une prise de courant ou tout autre prise à moins que les lames ne puissent être insérées entièrement afin d'éviter de les exposer.

## ATTENTION

Lorsque des jeux, des ordinateurs ou tout autre produit semblable sont utilisés avec votre télévision à projection, ou encore lors du visionnement d'une station de télévision dont le logo demeure toujours à l'écran, il est préférable de régler les fonctions de brillance et de contraste à des valeurs faibles. Une image fixe (non mobile), telle qu'un logo de station, demeurant à l'écran pendant de longues périodes de temps peut s'y imprimer en permanence lorsque la brillance et le contraste sont trop élevés. Ces impressions ne sont pas couvertes par la garantie.

## Remarque au sujet de Caption Vision (affichage des sous-titres)

Ce téléviseur permet d'afficher les sous-titres en conformité avec l'article § 15.119 des règlements de la FCC.

## Remarque sur le réglage de la convergence

Avant d'utiliser votre télévision à projection, assurez-vous de régler la convergence. Pour obtenir plus de détails, se reporter à « Régler la convergence automatiquement (Flash Focus) » à la page 44.

## Remarques à l'intention des installateurs du système CATV

Cette remarque vise à attirer l'attention des installateurs sur l'article 820-40 du Code national de l'électricité énonçant les directives concernant le raccordement à la masse, stipulant en particulier que le raccordement doit se faire à la masse de l'immeuble (ou maison), et aussi près que possible du point d'entrée du câble.

L'utilisation de ce téléviseur à des fins autres qu'un visionnement privé d'émissions diffusées par les canaux UHF ou VHF ou celles transmises par les sociétés de câblodistribution pour le grand public peut nécessiter l'obtention d'une autorisation auprès des sociétés de diffusion et de câblodistribution et/ou du propriétaire de l'émission.

## AVIS

Cet appareil a été testé et approuvé en conformité avec les limites qui définissent un appareil numérique de classe B conformément à la partie 15 des règlements de la FCC. Ces limites sont conçues pour assurer une protection raisonnable contre le brouillage nuisible dans une installation résidentielle. Cet appareil génère, utilise et peut émettre de l'énergie sur les fréquences radio et, s'il n'est pas installé en suivant les instructions, peut causer des interférences nuisibles aux communications radio. Cependant, il n'y a pas de garantie qu'aucune interférence ne sera produite dans une installation particulière. Si cet appareil cause une interférence nuisible à la réception de la radio ou de la télévision, ce qui peut être déterminé en éteignant et en rallumant l'appareil, l'utilisateur peut tenter de corriger la situation en prenant les mesures suivantes :

- Réorienter ou déplacer les antennes de réception.
- Augmenter la distance entre l'appareil et le récepteur.
- Brancher l'appareil à une prise d'un circuit différent de celui du récepteur.
- Consulter le revendeur ou un technicien qualifié en radio/télévision pour obtenir de l'aide.

Prendre note que tout changement ou modification qui n'est pas expressément approuvé dans ce manuel peut annuler l'autorisation de faire fonctionner l'appareil.

## Sécurité

- Ne faire fonctionner la télévision à projection que sur une fiche de 120 volts à c.a.
- La fiche est conçue, par mesure de sécurité, de façon à ne pouvoir s'insérer dans une prise de courant murale que d'une seule façon. Si vous êtes incapable d'insérer la fiche complètement dans la prise de courant, communiquez avec votre détaillant.
- Si un liquide ou un objet solide tombe à l'intérieur du cabinet, débranchez la télévision à projection immédiatement et faites-la vérifier par une personne qualifiée avant de l'utiliser à nouveau.
- Si ne prévoyez pas utiliser la télévision à projection pendant plusieurs jours, débranchez le courant en tirant sur la fiche elle-même. Ne tirez jamais sur le cordon.
- Pour obtenir des détails sur les mesures de sécurité, se reporter à « Importantes consignes de sécurité » à la page 3.

## Installation

- ❑ Afin d'éviter une accumulation de chaleur à l'intérieur de l'appareil, ne pas obstruer les ouvertures d'aération.
- ❑ Ne pas installer la télévision à projection dans un endroit chaud ou humide, ni dans un endroit où il serait soumis à des vibrations mécaniques ou exposé à des accumulations excessives de poussière.
- ❑ Éviter de faire fonctionner la télévision à projection à des températures inférieures à 5°C (41°F).
- ❑ Si la télévision à projection est déplacée d'un endroit froid à un endroit chaud, ou si la température de la pièce varie soudainement, l'image risque d'être embrouillée ou de ne pas présenter les bonnes couleurs à cause d'une condensation d'humidité. Dans ce cas, veuillez attendre quelques heures pour laisser l'humidité s'évaporer avant d'allumer la télévision à projection.
- ❑ Pour obtenir la meilleure image possible, n'exposez pas l'écran à un éclairage direct ou au soleil. Il est recommandé d'utiliser un éclairage local dirigé vers le bas à partir du plafond ou de couvrir les fenêtres qui font face à l'écran au moyen de rideaux opaques. Il est aussi préférable d'installer la télévision à projection dans une pièce où le plancher et les murs ne sont pas composés de matériaux réfléchissants.



ENERGY STAR® est une marque déposée aux États-Unis.

## MISE EN GARDE

**Comment réduire le risque de « rétention d'image » sur votre télévision à projection**

Des images brillantes et stationnaires, telles que les logos de station de télévision affichés sur votre écran peuvent causer des dommages permanents, provoquant la rétention du motif dans l'image.

Veuillez respecter les mesures suivantes en vue de réduire le risque de rétention d'image :

Regardez une variété d'émissions ou de sujets de programmation.

La rétention d'image peut se produire lorsque des images stationnaires brillantes, telles que des logos de station de télévision sont affichés. Le fait de varier les émissions que vous regardez réduit la possibilité qu'une seule image devienne imprimée sur les tubes-images de votre télévision.

Lorsque vous regardez des émissions avec des images stationnaires, réglez le réglage de l'image en vue de réduire les niveaux « d'Image » et de « Brillance ». La rétention d'image est accélérée par des réglages élevés de « Brillance » et « d'Image ».

Se reporter à la page 72 pour savoir comment effectuer les réglages de l'image.

Cela vous aidera à réduire le risque de rétention d'image.

**LA RÉTENTION D'IMAGE N'EST PAS COUVERTE PAR LA GARANTIE**

## Renseignements sur la marque de commerce

TruSurround et le symbole (●)\* sont des marques de commerce de SRS Labs, Inc. La technologie TruSurround est incorporée sous licence de SRS Labs, Inc.

BBE et le symbole BBE Symbol sont des marques de commerce de BBE Sound, Inc. et sont autorisés par BBE Sound, Inc. selon le brevet américain n° 4,638,258 and 4,482,866.

Steady Sound, Digital Reality Creation, Caption Vision, CineMotion, Memory Stick et Twin View sont des marques déposées de Sony Corporation. ClearEdge VM, HD Detailer et Uniform Brightness Screen sont des marques de commerce de Sony Corporation.

## Fiche du propriétaire

Les numéros de modèle et de série sont inscrits sur la page de couverture de ce mode d'emploi ainsi qu'à l'arrière de la télévision à projection, sous le logo Sony, sur la vignette autocollante et aussi sur la boîte du téléviseur (étiquette blanche). Inscrire ces numéros dans les espaces prévus à cet effet ci-dessous. S'y référer lors de toute consultation auprès de votre revendeur Sony au sujet de ce produit.

Modèle n° \_\_\_\_\_

N° de série \_\_\_\_\_



# IMPORTANTES CONSIGNES DE SÉCURITÉ

Pour votre sécurité, il est recommandé de lire toutes les instructions et de garder ce mode d'emploi afin de s'y référer au besoin.

Respecter les mises en garde, les avertissements et les instructions placés sur l'appareil ou décrits dans le mode d'emploi ou le guide d'entretien.

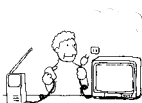
## AVERTISSEMENT

Afin de prévenir les blessures, suivre les consignes de sécurité de base lors de l'installation, l'utilisation et l'entretien de l'appareil.

## Utilisation

### Alimentation électrique

Cet appareil ne devrait être utilisé qu'avec le type d'alimentation électrique indiqué sur la plaque de modèle/série. En cas de doute concernant le type d'alimentation électrique de l'immeuble, consulter le revendeur ou l'entreprise locale d'électricité. Pour les appareils fonctionnant à pile, se référer au mode d'emploi.



### Mise à la terre ou polarisation

Cet appareil est muni d'un cordon d'alimentation électrique pour courant alternatif avec une fiche polarisée (une des lames est plus large que l'autre) ou du type à trois lames (avec une lame pour la mise à la terre). Selon le type de fiche, suivre les instructions correspondantes :

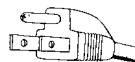
#### Pour un téléviseur muni d'un cordon d'alimentation polarisé pour courant alternatif

Cette fiche ne peut être insérée dans la prise que d'une seule manière. Il s'agit d'une mesure de sécurité. Si vous n'arrivez pas à enfoncer la fiche totalement dans la prise, tourner la fiche. Si la fiche ne peut toujours pas être insérée correctement, faire appel à un électricien afin de faire installer une prise convenable. Ne pas contourner cette mesure de sécurité en forçant la fiche polarisée dans la prise.



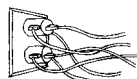
#### Pour un téléviseur muni d'un cordon d'alimentation à trois lames pour courant alternatif

Cette fiche ne peut être utilisée qu'avec une prise munie d'une mise à la terre. Il s'agit d'une mesure de sécurité. Si vous n'arrivez pas à enfoncer la fiche totalement dans la prise, faire appel à un électricien afin de faire installer une prise convenable. Ne pas contourner la mesure de sécurité de la fiche munie d'une mise à la terre.



### Surcharge

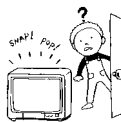
Ne pas surcharger les prises murales, les rallonges ou les prises au-delà de leur capacité car cela pourrait provoquer un incendie ou un choc électrique.



Toujours éteindre le téléviseur lorsqu'il n'est pas utilisé. Si le téléviseur n'est pas utilisé pour une période prolongée, débrancher l'appareil afin de prévenir toute possibilité de mauvais fonctionnement interne qui pourrait constituer un risque d'incendie.



Si un claquement ou un craquement continu ou fréquent se fait entendre lors du fonctionnement de l'appareil, débrancher le téléviseur et contacter le revendeur ou un technicien. Ces bruits sont normaux pour certains appareils particulièrement lors de la mise sous/hors tension.



### Intrusion de liquide ou d'objet

Ne jamais introduire d'objets dans le téléviseur par les fentes du boîtier car ceux-ci pourraient entrer en contact avec des points de tension dangereux ou sectionner des pièces et provoquer un incendie ou un choc électrique. Ne jamais renverser de liquide sur l'appareil.



### Nettoyage

Utiliser un chiffon doux et sec pour le nettoyage de l'extérieur de l'appareil. Pour éliminer la poussière de l'écran, l'essuyer doucement au moyen d'un chiffon doux. Les taches rebelles peuvent être éliminées au moyen d'un chiffon légèrement humidifié d'une solution d'eau et de savon doux. Ne jamais employer de nettoyants puissants, tels que du diluant ou du benzène.



Si l'image devient foncée après avoir utilisé la télévision à projection pendant de longues périodes de temps, il pourra s'avérer nécessaire de nettoyer l'intérieur de cette dernière. Consultez une personne qualifiée.

### Ajouts d'appareils

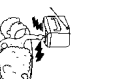
Ne pas ajouter d'appareils non recommandés par le fabricant, car ceux-ci pourraient être dangereux.



### Installation

#### Eau et humidité

Ne pas utiliser d'appareils électriques près de l'eau — par exemple près d'une baignoire, d'un évier de cuisine ou d'une cuve de lavage, dans un sous-sol mouillé ou près d'une piscine, etc.



### Accessoires

Ne pas placer l'appareil sur un chariot, une table, un trépied, un support ou une étagère instable. La chute de l'appareil peut causer des blessures graves à un enfant ou un adulte, en plus d'endommager l'appareil. Utiliser un support ou un meuble spécialement recommandé par le fabricant pour ce modèle de téléviseur. Tout montage de l'appareil doit respecter les directives du fabricant et utiliser les accessoires de montage recommandés par le fabricant. L'appareil et le meuble doivent être déplacés avec soin. Des arrêts brusques, une force excessive ou une surface inégale pourraient les renverser.



## Ventilation

Les fentes et les ouvertures du boîtier, situées à l'arrière et au bas de l'appareil, sont essentielles à la ventilation de l'appareil. Afin d'assurer le bon fonctionnement de l'appareil et le protéger d'une surchauffe, les ouvertures ne doivent jamais être bloquées ou couvertes.

- ❑ Ne jamais couvrir les fentes et les ouvertures avec une étoffe ou tout autre matériau.
- ❑ Ne jamais bloquer les fentes ou les ouvertures en plaçant le téléviseur sur un lit, un canapé, un tapis ou toute autre surface semblable.
- ❑ Ne jamais placer l'appareil dans un endroit clos, tel qu'une bibliothèque ou une étagère intégrée à moins de prévoir une ventilation suffisante.
- ❑ Ne pas placer l'appareil près ou sur un radiateur, une source de chaleur ou l'exposer aux rayons du soleil.



## Protection du cordon d'alimentation

Ne rien poser ni rouler sur le cordon d'alimentation. Ne pas placer l'appareil dans un endroit où le cordon d'alimentation pourrait être abîmé.



## Antennes

### Mise à la terre d'une antenne extérieure

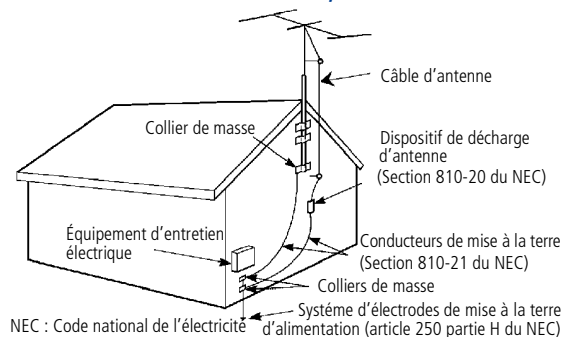
En cas d'installation d'une antenne extérieure, suivre les précautions ci-dessous. Une antenne extérieure ne devrait pas être située près de fils électriques, d'un lampadaire, d'un circuit d'alimentation électrique ou encore, dans un endroit où l'antenne pourrait toucher des installations ou des circuits électriques.

**LORS DE L'INSTALLATION DE L'ANTENNE EXTÉRIEURE, UNE ATTENTION TOUTE PARTICULIÈRE DOIT ÊTRE PORTÉE AFIN D'ÉVITER TOUT CONTACT AVEC LES LIGNES D'ALIMENTATION ÉLECTRIQUE OU LES CIRCUITS PUISQUE CELA POURRAIT CAUSER UN ACCIDENT FATAL.**

S'assurer que l'antenne est mise à la terre afin d'offrir une protection contre les sauts de courant ou l'accumulation de charge statique.

La section 810 du Code national de l'électricité aux États-Unis et la section 54 du Code canadien de l'électricité au Canada fournissent les informations concernant la mise à la terre correcte du mât et du bâti, la mise à la terre du câble d'antenne à un dispositif de décharge d'antenne, le calibre des conducteurs de mise à la terre, l'emplacement du dispositif de décharge d'antenne, le raccordement aux électrodes de mise à la terre et les spécifications de l'électrode de mise à la terre.

### Mise à la terre de l'antenne selon les recommandations du Code national de l'électricité, ANSI/SFPA 70



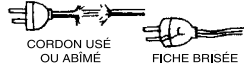




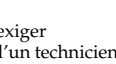
## Foudre

Afin de mieux protéger le téléviseur lors d'orages électriques et en cas d'absence ou de période prolongée pendant laquelle l'appareil n'est pas utilisé, il est recommandé de débrancher le téléviseur et l'antenne. Cette mesure vise à prévenir les dommages causés au récepteur lors d'orage ou de saut de courant.


## Entretien

### Dommages exigeant des réparations


Débrancher l'appareil et le confier à un technicien qualifié lorsque l'une ou l'autre des situations suivantes se produit :

- ❑ Lorsque le cordon d'alimentation ou la fiche sont abîmés ou usés. 
- ❑ Si un liquide a été déversé sur l'appareil ou si des objets se sont introduits dans l'appareil. 
- ❑ Si le téléviseur a été exposé à la pluie ou à l'eau. 
- ❑ Si le téléviseur a subi un choc violent à la suite d'une chute ou si le boîtier a été endommagé. 
- ❑ Si l'appareil ne fonctionne pas normalement après avoir suivi le mode d'emploi. Ne procéder qu'aux ajustements spécifiés dans le mode d'emploi. Tout ajustement supplémentaire non conforme pourrait occasionner des dommages pouvant exiger d'importants travaux de réparation de la part d'un technicien qualifié afin de remettre l'appareil en état normal de fonctionnement. 
- ❑ Si le rendement de l'appareil est nettement différent, il a besoin d'être réparé. 

## Entretien


Ne pas tenter de procéder soi-même à l'entretien de l'appareil puisque l'ouverture du boîtier pourrait vous exposer à des tensions dangereuses et à d'autres risques. Confier tout entretien à un technicien qualifié. 

## Pièces de rechange

Lors du remplacement de certaines pièces, demander au technicien de certifier par écrit que les pièces de rechange utilisées sont celles qui sont spécifiées par le fabricant et dont les caractéristiques correspondent aux pièces d'origine. 

Toute substitution non autorisée pourrait causer un incendie, un choc électrique ou d'autres dangers.

## Vérification de sécurité

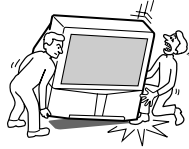
Par mesure de prudence, après la réparation ou l'entretien de l'appareil, demander au technicien d'effectuer une vérification de routine (telle que spécifiée par le fabricant), afin de s'assurer que l'appareil peut fonctionner normalement. Le technicien pourra certifier que l'appareil fonctionne en toute sécurité. Lorsque l'appareil ne sera plus utilisable, en disposer de façon inappropriée pourrait provoquer l'implosion du tube. Demander à un technicien de s'en débarrasser. 

## Par mesure de sécurité

### Faites attention lors du déplacement de la télévision à projection

Lorsque vous placez cette dernière en position, assurez-vous de ne pas l'échapper sur vos pieds ou vos doigts.

Gardez bien votre équilibre lors de l'installation de la télévision à projection.



### Transportez la télévision à projection de la façon indiquée

Si vous transportez la télévision à projection d'une façon autre que celle indiquée et sans le nombre précisé de personnes, elle risque de tomber et de causer des blessures graves. Assurez-vous de respecter les directives ci-dessous.

- Transportez la télévision à projection avec le nombre de personnes précisé (voir « Transporter votre télévision à projection » à la page 12).
- Ne transportez pas la télévision à projection en tenant la grille du haut-parleur.
- Tenez la télévision à projection fermement lorsque vous la transportez.

La télévision à projection est munie de poignées que vous pouvez utiliser pour la transporter.



# Contenu

## **Présentation de la télévision à projection**

<b>Bienvenue</b> .....	<b>9</b>
Contenu de l'emballage .....	9
Fonctions.....	9

## **Réglage de la télévision**

<b>Aperçu</b> .....	<b>11</b>
<b>Transporter votre télévision à projection</b> .....	<b>12</b>
<b>Installation de la télévision</b> .....	<b>12</b>
<b>Commandes et raccordements de la télévision</b> .....	<b>13</b>
Commandes vidéo avant .....	13
Panneau avant .....	14
Panneau arrière .....	16
<b>Raccordements de base : comment relier un câble ou une antenne</b> .....	<b>18</b>
Câble ou antenne seulement .....	19
Câble et antenne seulement .....	20
Décodeur et câble seulement.....	22
Décodeur seulement.....	24
<b>Raccordement d'appareil en option</b> .....	<b>25</b>
Au sujet de l'utilisation du S VIDEO.....	25
Magnétoscope et câble .....	26
Magnétoscope et décodeur .....	28
Deux magnétoscopes pour l'édition de vidéocassettes .....	30
Récepteur satellite .....	32
Récepteur satellite et magnétoscope.....	34
Lecteur DVD avec connecteurs de composants vidéo.....	36
Lecteur DVD avec connecteurs audio et S VIDEO.....	38
Décodeur de télévision numérique avec raccordements de composantes video.....	39
Caméscope .....	40
Récepteur audio .....	41
<b>Utilisation de la fonction CONTROL S</b> .....	<b>42</b>
<b>Réglage de la liste de canaux</b> .....	<b>43</b>
<b>Régler la convergence automatiquement (Flash Focus)</b> .....	<b>44</b>
<b>Régler la convergence manuellement</b> .....	<b>45</b>

## **Utilisation de la télécommande**

<b>Aperçu</b> .....	<b>47</b>
<b>Insertion des piles</b> .....	<b>47</b>
<b>Descriptions des touches</b> .....	<b>48</b>
Panneau extérieur.....	48
Panneau intérieur .....	50
<b>Programmation de la télécommande</b> .....	<b>51</b>
<b>Utilisation d'autres appareils avec la télécommande du téléviseur</b> .....	<b>53</b>

## Utilisation des fonctions

<b>Aperçu</b> .....	<b>55</b>
<b>Regarder le téléviseur</b> .....	<b>56</b>
<b>Utilisation de l'index déroulant</b> .....	<b>57</b>
Facteurs affectant l'index déroulant .....	57
<b>Utilisation du Mode Cinéma</b> .....	<b>58</b>
<b>Utilisation du syntoniseur Twin View</b> .....	<b>59</b>
Comment afficher des images doubles .....	59
Les facteurs qui affectent le syntoniseur Twin View.....	59
Activation de l'image.....	60
Modification du format de l'image .....	61
<b>Utilisation de la fonction Canaux Préférés</b> .....	<b>62</b>
Pour créer une liste de canaux préférés.....	62
Pour afficher la liste des canaux préférés.....	62
<b>Utilisation de la fonction d'arrêt</b> .....	<b>63</b>
<b>Utilisation du visualiseur d'images Memory Stick</b> .....	<b>64</b>
Au sujet du support Memory Stick.....	64
Types d'images supportés.....	64
Types d'images non supportés.....	65
Insertion et retrait du support Memory Stick .....	66
Affichage du menu du support Memory Stick.....	67
Utilisation de l'index du support Memory Stick.....	68
Utilisation du diaporama du support Memory Stick.....	69
Modification des options de réglage du support Memory Stick .....	69
Utilisation de l'écran Rotation de l'image .....	70

## Utilisation des menus

<b>Aperçu</b> .....	<b>71</b>
<b>Navigation des menus</b> .....	<b>71</b>
<b>Utilisation du menu Vidéo</b> .....	<b>72</b>
<b>Utilisation du menu Audio</b> .....	<b>74</b>
<b>Utilisation du menu Écran</b> .....	<b>76</b>
<b>Utilisation du menu Canal</b> .....	<b>78</b>
<b>Utilisation du menu Parent</b> .....	<b>80</b>
<b>Utilisation du menu Réglage</b> .....	<b>83</b>

## Informations en sus

<b>Aperçu</b> .....	<b>87</b>
<b>Glossaire</b> .....	<b>88</b>
<b>Remarques sur l'utilisation du support Memory Stick</b> .....	<b>89</b>
<b>Comment communiquer avec Sony</b> .....	<b>90</b>
<b>Guide de dépannage</b> .....	<b>90</b>
<b>Spécifications</b> .....	<b>95</b>
<b>Accessoires en option</b> .....	<b>96</b>
<b>Index</b> .....	<b>97</b>

# Présentation de la télévision à projection

## Bienvenue

Merci d'avoir acheté la télévision à projection de Sony. Utilisez ce manuel avec les modèles suivants :

- ❑ KP-57WV700
- ❑ KP-65WV700

---

## Contenu de l'emballage

En plus de la nouvelle télévision à projection, cet emballage contient une télécommande et deux piles de type AA. Aucun câble supplémentaire n'est compris. Ce sont les seuls articles nécessaires au réglage et au fonctionnement du téléviseur.

La plupart des composants (magnétoscopes, lecteurs DVD, etc.) sont munis des câbles nécessaires pour effectuer les raccordements. Si vous désirez installer un système complexe, vous devrez peut-être acheter des câbles, des connecteurs, etc. supplémentaires. Assurez-vous d'avoir ces articles à la portée de la main avant de commencer à raccorder votre système.

---

## Fonctions

Voici quelques-unes des fonctions offertes avec votre nouvelle télévision :

- ❑ **Mode Cinéma** : Permet de regarder les programmes à rapport hauteur/largeur traditionnel de 4:3 en mode grand écran (16:9).
- ❑ **Multifonction DRC® (Digital Reality Creation en anglais ou création de réalité numérique)** : Contrairement aux redoubleurs de lignes traditionnels, l'option multifonction DRC remplace la représentation oscillographique NTSC du signal par son équivalent HD, tout en doublant le nombre de lignes horizontales et verticales. Cela produit une densité quatre fois plus élevée pour les sources de qualité telles que les lecteurs DVD, les satellites et les caméscopes numériques. Le menu Vidéo permet de sélectionner une sortie entrelacé, progressif ou CineMotion™. L'option palette DRC vous permet de personnaliser le niveau de détail (réalité) et la régularité (clarté) en vue de créer jusqu'à trois palettes personnalisées.
- ❑ **Index déroulant** : Vous permet de prévisualiser et de sélectionner les programmes à partir d'un index déroulant d'images vidéo.
- ❑ **Canaux préférés** : Permet de voir et de choisir parmi huit de vos canaux préférés.



- ❑ **Twin View™** : En utilisant le lecteur d'image composite (MIDX), la syntonisation juxtaposée vous permet de regarder deux émissions côte à côte, avec la possibilité de zoomer une image. Vous pouvez regarder des images de deux sources différentes (1080i, 720p, 480p et 480i) simultanément. (Seule la fenêtre de gauche de Twin View peut afficher des sources de 1080i, 720p et 480p.)
- ❑ **Modulation de vitesse ClearEdge VM™** : Augmente la définition de l'image en améliorant les lignes verticales.
- ❑ **Uniform Brightness Screen™** : Une technologie optique spéciale agrandit l'angle de visualisation vertical à près du double de celui des autres télévisions à projection arrière.
- ❑ **Steady Sound®** : Équilibre le niveau du volume en vue d'obtenir un son constant entre les programmes et les messages publicitaires.
- ❑ **Visualiseur d'images Memory Stick®** : Vous permet de voir sur l'écran de votre téléviseur, des images numériques enregistrées sur un support Memory Stick.
- ❑ **Entrées pour composants vidéo** : Permet d'obtenir la meilleure qualité vidéo lors de raccordements de lecteurs DVD (480p, 480i) et de décodeurs numériques (HD1080i, 720p).
- ❑ **HD Detailer™** : Amplificateur vidéo à bande large muni d'une capacité en fréquence de grand calibre pour permettre d'envoyer un plus grand nombre d'information vidéo à l'écran, produisant ainsi une image de plus grande qualité, particulièrement pour les sources HD.
- ❑ **CineMotion™** : Traitement d'entraînement d'inversion 3-2 offrant la meilleure qualité d'image pour les sources à base de film (médium originalement capté en format de 24 images par seconde).
- ❑ **Blocage parental** : La puce V Chip permet aux parents de bloquer les émissions qui ne conviennent pas aux jeunes téléspectateurs.
- ❑ **Interface visuelle numérique (DVI)** : Peut accepter une connexion numérique protégée (HDCP\*) vers d'autres appareils (tels que des décodeurs numériques) qui sont munis d'interfaces compatibles. La borne d'entrée DVI-HDTV est conforme à la norme EIA-861 et n'est pas conçue pour être utilisée avec des ordinateurs personnels.

---

\*High-bandwidth Digital Content Protection : Protection numérique du contenu en bande large

# Réglage de la télévision

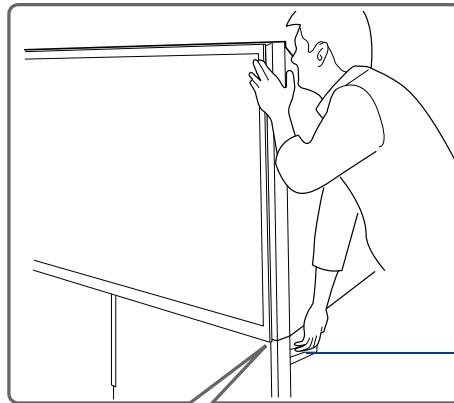
## Aperçu

Ce chapitre présente les illustrations pour les réglages de la télévision.

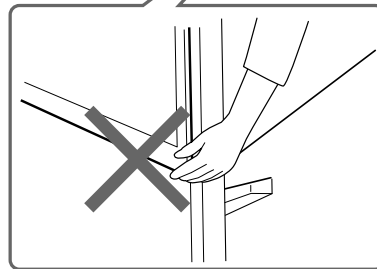
<i>Sujet</i>	<i>Page(s)</i>
Transporter votre télévision à projection	12
Installation de la télévision	12
Commandes et raccordements de la télévision	13-17
Raccordements de base : comment relier un câble ou une antenne	18-24
Raccordement d'appareil en option	
Magnétoscope et câble	26
Magnétoscope et décodeur	28
Deux magnétoscopes pour l'édition de vidéocassettes	30
Récepteur satellite	32
Récepteur satellite et magnétoscope	34
Lecteur DVD avec connecteurs de composantes vidéo	36
Lecteur DVD avec connecteurs audio et S VIDEO	38
Décodeur de télévision numérique avec raccordements de composantes vidéo	39
Caméscope	40
Récepteur audio	41
Utilisation de la fonction CONTROL S	42
Réglage de la liste de canaux	43
Régler la convergence automatiquement (Flash Focus)	44
Régler la convergence manuellement	45

## Transporter votre télévision à projection

Le transport de la télévision demande quatre personnes ou plus. Elle est munie de roulettes pour faciliter son déplacement sur des surfaces dures. S'assurer de déplacer la télévision à projection au moyen des roulettes. La télévision est aussi munie de poignées que vous pouvez utiliser pour transporter l'appareil.

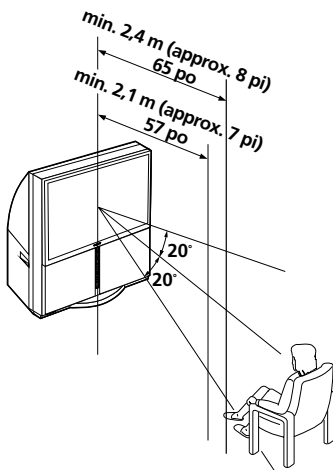


Poignée (une de chaque côté)

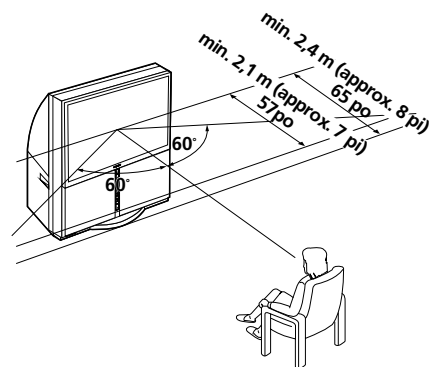


Ne pas transporter la télévision en plaçant les mains sous l'écran avant

## Installation de la télévision



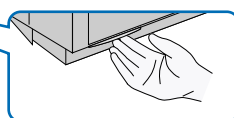
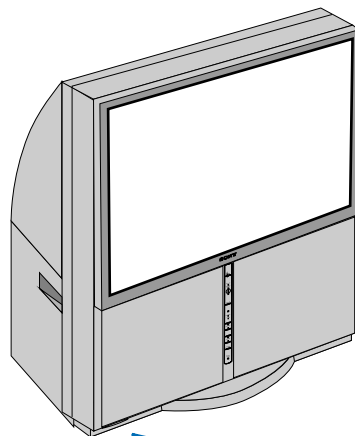
Angle de visionnement vertical recommandé



Angle de visionnement horizontal recommandé

## Commandes et raccordements de la télévision

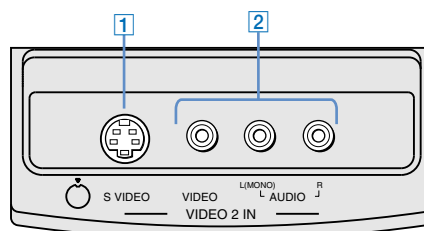
Pour accéder au panneau vidéo avant, pousser vers le haut puis relâcher. Le panneau s'abaisse automatiquement.



Pousser vers le haut et relâcher

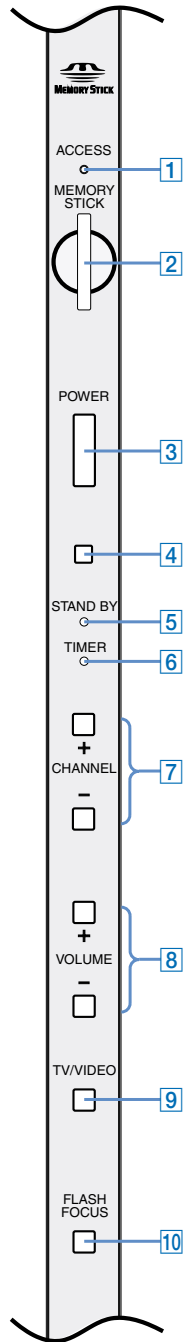
Réglage

### Commandes vidéo avant



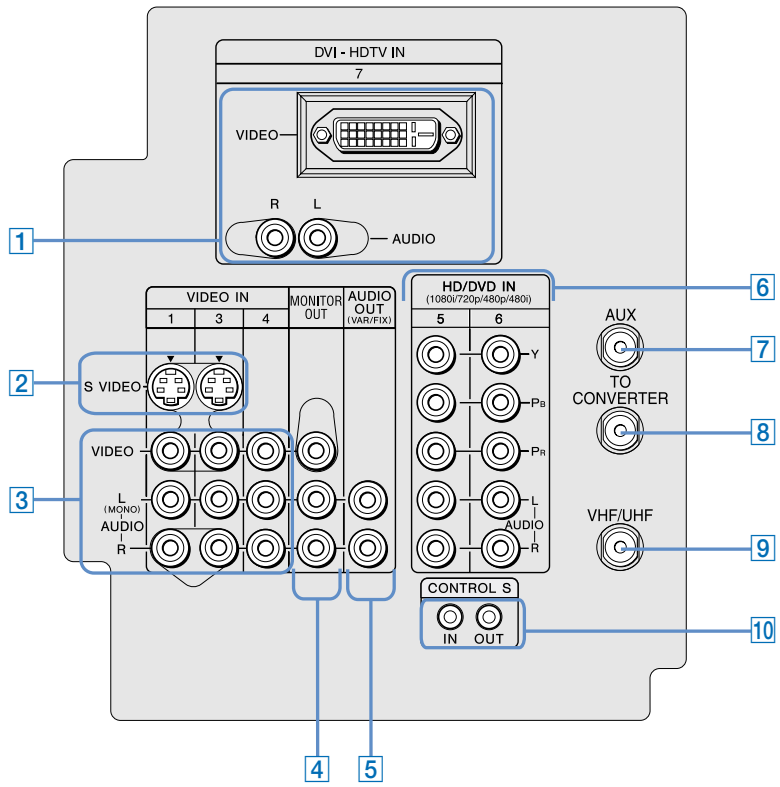
- |   |  |
|---|--|
| <b>1</b> S VIDEO<br>VIDEO 2 INPUT                   | Se relie à la prise de sortie S VIDEO OUT qui se trouve sur votre caméscope ou tout autre appareil vidéo muni de S VIDEO. Offre une meilleure qualité d'image que le vidéo composite ( <b>2</b> ). |
| <b>2</b> VIDEO/L(MONO)-<br>AUDIO-R<br>VIDEO 2 INPUT | Se relie aux prises de sortie A/V composite qui se trouvent sur votre caméscope ou tout autre appareil vidéo.  |

**Panneau avant**



Élément	Description
1 MEMORY STICK ACCESS LED	Lorsqu'allumé, il indique que le Memory Stick est en train d'être lu. (Ne pas retirer le support Memory Stick lorsque l'indicateur est allumé.)
2 MEMORY STICK	Fente d'insertion du support Memory Stick. Pour de plus amples détails, se reporter à « Insertion et retrait du support Memory Stick » à la page 66.
3 POWER	Appuyer pour allumer et éteindre le téléviseur.
4 Infrared Receiver (IR)	Reçoit les signaux IR provenant de la télécommande du téléviseur.
5 STAND BY LED	Clignote lorsque le téléviseur fonctionne, puis s'éteint lorsque l'image est affichée. Si le DEL clignote de façon continue, cela peut signifier que le téléviseur a besoin d'être réparé (se reporter à « Comment communiquer avec Sony » à la page 90).
6 TIMER LED	Lorsqu'allumé, indique que l'une des minuteries est réglée. Lorsque la minuterie est réglée, ce DEL demeurera allumé même si le téléviseur est éteint. Pour de plus amples détails, se reporter à la page 84.
7 -CHANNEL+	Appuyer pour passer en revue les canaux. Pour procéder plus rapidement, appuyer et tenir enfoncé une des touches CHANNEL.
8 -VOLUME +	Appuyer pour régler le volume.
9 TV/VIDEO	Appuyer à plusieurs reprises pour passer en revue les appareils vidéo raccordés aux entrées vidéo du téléviseur.
10 FLASH FOCUS	Appuyer pour régler la convergence (se reporter à la page 44).

**Panneau arrière**





Raccordement	Description
<b>1</b> DVI-HDTV VIDEO AUDIO R/L (VIDEO 7 IN)	Peut accepter une connexion numérique protégée (HDCP*) vers d'autres appareils (tels que des décodeurs numériques) qui sont munis d'interfaces compatibles. La borne d'entrée DVI-HDTV est conforme à la norme EIA-861 et n'est pas conçue pour être utilisée avec des ordinateurs personnels. Se reporter au manuel d'utilisation de l'appareil pour obtenir les détails sur le raccordement et son utilisation avec le téléviseur.
<b>2</b> S VIDEO IN 1/3	Se relie à la prise de sortie S VIDEO de votre magnétoscope ou de tout autre appareil vidéo muni d'une prise S VIDEO. S VIDEO offre une meilleure qualité d'image que les raccordements vidéo composite ( <b>3</b> ) ou VHF/UHF ( <b>9</b> ).
<b>3</b> VIDEO IN 1/3/4 VIDEO/L(MONO) -AUDIO-R	Se relie aux prises de sortie A/V composite de votre magnétoscope ou de tout autre appareil vidéo. Une quatrième prise d'entrée A/V composante (VIDEO 2) est située sur le panneau avant du téléviseur. Ce raccordement vidéo offre une meilleure qualité d'image que le raccordement VHF/UHF ( <b>9</b> ).
<b>4</b> MONITOR OUT	Permet d'enregistrer l'émission que vous regardez sur un magnétoscope. Lorsque deux magnétoscopes sont raccordés, vous pouvez utiliser le téléviseur comme moniteur pour l'édition de bande vidéo à bande vidéo (option non offerte avec 480p, 720p ou 1080i lorsque la sortie est réglée à VIDEO 5-7).
<b>5</b> AUDIO OUT (VAR/FIX) L (MONO)/R	Se relie aux prises d'entrée audio droite et gauche de vos appareils vidéo ou audio. Vous pouvez utiliser ces sorties pour écouter le son du téléviseur grâce à votre chaîne stéréophonique.
<b>6</b> HD/DVD IN 5/6 (1080i/720p/480p/480i)	Se raccorde à la composante vidéo de votre lecteur DVD ou de votre décodeur (Y, PB, PR) et aux prises audio (L/R). La composante vidéo offre la meilleure qualité d'image (meilleure que <b>2</b> , <b>3</b> ou <b>9</b> ).
<b>7</b> AUX	Entrée RF auxiliaire qui relie l'antenne, le câble CATV ou la prise de sortie du décodeur. Il s'agit d'une option pratique pour utiliser deux sources VHF/UHF (antenne, câble CATV ou décodeur). Pour de plus amples détails, se reporter aux pages 20 à 23.
<b>8</b> TO CONVERTER	Se relie à la prise d'entrée du décodeur. Cette prise de sortie VHF/UHF permet de régler le téléviseur pour pouvoir passer des canaux brouillés (par un décodeur) aux canaux normaux du câble. Utiliser cette prise au lieu d'un diviseur pour obtenir une image de meilleure qualité lorsqu'il faut passer des canaux câblés brouillés à ceux qui ne sont pas brouillés. Pour de plus amples détails, se reporter aux pages 22 à 23.
<b>9</b> VHF/UHF	Entrée RF primaire qui se relie à l'antenne VHF/UHF ou au câble.
<b>10</b> CONTROL S IN/OUT	Permet au téléviseur de recevoir (IN) et de transmettre (OUT) des signaux par télécommande à d'autres appareils vidéo ou audio à commande infrarouge de Sony possédant la fonction CONTROL S.

\*High Bandwidth Digital Content Protection : Protection numérique du contenu en bande large

## Raccordements de base : comment relier un câble ou une antenne

Le choix de raccordement dépendra du type d'installation dans l'immeuble (câble, décodeur, antenne) et si un magnétoscope sera raccordé ou non.

<i>Si vous raccordez</i>	<i>Se reporter à la page</i>
<b><i>Câble ou antenne seulement</i></b>	19
<input type="checkbox"/> Pas de décodeur ni de magnétoscope	
<b><i>Câble et antenne seulement</i></b>	20
<input type="checkbox"/> Pas de décodeur ni de magnétoscope	
<b><i>Décodeur et câble seulement</i></b>	22
<input type="checkbox"/> Décodeur ne débrouille que certains canaux (habituellement les canaux de la télévision payante)	
<input type="checkbox"/> Pas de magnétoscope	
<b><i>Décodeur seulement</i></b>	24
<input type="checkbox"/> Décodeur débrouille tous les canaux	
<input type="checkbox"/> Pas de magnétoscope	

### Si vous raccordez un magnétoscope

- Se reporter aux raccordements décrits aux pages 26 et 28.

## Câble ou antenne seulement

Pour obtenir de meilleurs résultats, utiliser un des raccordements suivants pour raccorder un câble ou une antenne et si :

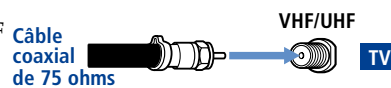
- ❑ Vous n'avez pas besoin de décodeur pour débrouiller les canaux. (Si vous avez un décodeur, se reporter aux pages 22-24.)
- ❑ Vous n'avez pas l'intention de raccorder un magnétoscope. (Si vous avez un magnétoscope, se reporter aux pages 26 et 28.)

Le raccordement choisi dépendra du type de câble qui se trouve dans votre maison, tel qu'il est décrit ci-dessous.

### Câble coaxial 75 ohms (se trouve habituellement dans les maisons plus nouvelles)

Type de câble Raccorder comme suit

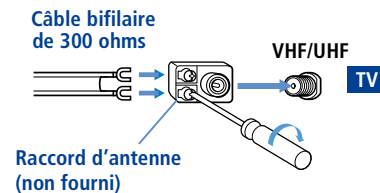
VHF seulement ou combiné VHF/UHF ou câble



### Câble bifilaire de 300 ohms (se trouve habituellement dans les maisons plus anciennes)

Type de câble Raccorder comme suit

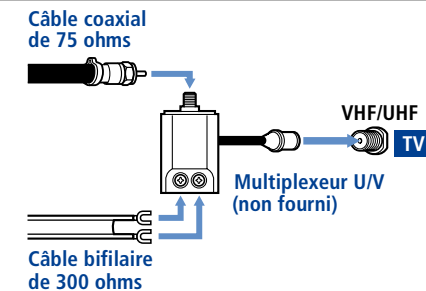
VHF seulement ou UHF seulement ou une combinaison VHF/UHF



### Câble bifilaire de 300 ohms et coaxial de 75 ohms (se trouve dans certaines maisons)

Type de câble Raccorder comme suit

VHF et UHF



## Câble et antenne seulement

Pour obtenir de meilleurs résultats, utiliser ce raccordement si vous :

- ❑ Possédez un câble et une antenne.  
(Il s'agit d'un moyen pratique si vous utilisez une antenne de toit séparée pour recevoir des canaux supplémentaires qui ne sont pas offerts par votre société de câblodistribution.)
- ❑ Ne possédez pas de décodeur ou de magnétoscope. (Si vous avez un décodeur, reportez-vous aux pages 22 à 24. Si vous avez un magnétoscope, reportez-vous aux pages 26 et 28.)

Type de câble	Raccorder comme suit
Câble TV (CATV) et antenne	<p><b>Câble d'antenne</b></p> <p>(Aucun raccordement à TO CONVERTER)</p> <p><b>Câble de CATV</b></p>

*Remarque sur l'utilisation des options d'image double (syntoniseur Twin View, etc.) avec ce raccordement*

Avec ce raccordement, vous ne pouvez pas voir les canaux de l'antenne dans la fenêtre de droite d'images double.

### Remarques sur l'utilisation de ce raccord

<i>Pour faire ceci ...</i>	<i>Faire cela ...</i>
Basculer l'entrée du téléviseur entre le câble et l'antenne	Appuyer sur <b>ANT</b> pour basculer entre les entrées VHF/UHF et AUX du téléviseur.
Capter des canaux avec une antenne, au lieu du câble	<ol style="list-style-type: none"><li>1 Appuyer sur <b>ANT</b> pour passer à l'entrée AUX.</li><li>2 Régler l'option <b>Câble</b> à <b>Non</b>. Pour plus de détails sur cette option, se reporter à « Sélection des options du canal » à la page 78.</li><li>3 Exécuter le programme d'auto-réglage, tel qu'il est décrit dans la section « Utilisation de l'auto-réglage » à la page 43.</li></ol>

## Décodeur et câble seulement

### Pour obtenir de meilleurs résultats, utiliser ce raccordement si :

- ❑ Votre société de câblodistribution ne brouille que certains canaux, tels que les canaux de la télévision payante (qui demandent l'utilisation d'un décodeur), mais pas tous les canaux.
- ❑ Vous n'avez pas de magnétoscope. (Si vous avez un magnétoscope, se reporter aux pages 26 et 28.)

### Grâce à ce raccordement, vous pouvez :

- ❑ Utiliser la télécommande du téléviseur pour changer les canaux qui proviennent du décodeur jusqu'à la prise d'entrée AUX du téléviseur. (Vous devez d'abord programmer la télécommande selon votre propre décodeur; se reporter à « Programmation de la télécommande » à la page 51.)
- ❑ Utiliser la télécommande du téléviseur pour changer les canaux qui proviennent directement dans l'entrée VHF/UHF du téléviseur. (Le syntoniseur du téléviseur offre une meilleure réception de signal que le décodeur.)

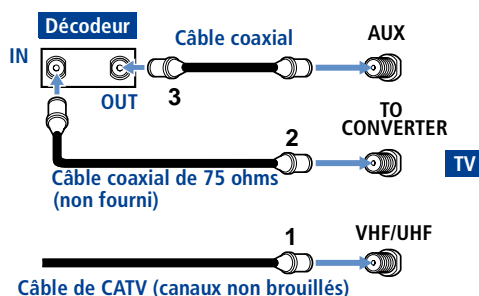
### Remarque sur l'utilisation des options d'image double (syntoniseur Twin View, etc.) avec ce raccordement

Grâce à ce raccordement, vous pouvez utiliser toutes les fonctions de l'image double pour les canaux non brouillés transmis directement dans la prise d'entrée VHF/UHF du téléviseur.

Cependant, vous ne pouvez utiliser que quelques fonctions de l'image double pour les canaux qui sont transmis par le décodeur dans la prise d'entrée AUX du téléviseur. Par exemple, lorsque vous passez l'entrée du téléviseur à AUX — pour choisir l'entrée du décodeur — l'image n'est affichée que dans la fenêtre gauche. Si vous allumez le syntoniseur Twin View, vous pouvez regarder les canaux de câble transmis dans la prise VHF/UHF dans la fenêtre de droite, mais vous ne pouvez pas échanger les images entre les fenêtres gauches et droites.

### Raccorder le décodeur et le câble

- 1 Raccorder le câble de votre société de câblodistribution à la prise VHF/UHF du téléviseur.
- 2 Utiliser un câble coaxial pour raccorder la prise TO CONVERTER du téléviseur à la prise d'entrée du décodeur. (Le convertisseur interne du téléviseur permet de passer des signaux non brouillés arrivant directement au téléviseur aux signaux brouillés arrivant du décodeur, éliminant ainsi le besoin d'installer un diviseur externe.)
- 3 Utiliser un câble coaxial pour raccorder la prise de sortie du décodeur à la prise AUX du téléviseur.
- 4 Lancer le programme d'auto-réglage, tel qu'il est décrit dans la section « Réglage de la liste de canaux » à la page 43.



### Remarques sur l'utilisation de ce raccord

Pour faire ceci ...	Faire cela ...
Utiliser le décodeur	Syntoniser le téléviseur au canal auquel le décodeur est réglé (habituellement le canal 3 ou 4) puis utiliser le décodeur pour changer les canaux.
Régler la télécommande du téléviseur pour qu'elle fasse fonctionner le décodeur	Programmer la télécommande. Se reporter à « Programmation de la télécommande » aux pages 51-52.
Activer la télécommande pour qu'elle fasse fonctionner le décodeur	Appuyer sur <b>SAT/CABLE FUNCTION</b> .
Pour éviter tout changement involontaire des canaux du téléviseur	Lorsqu'un décodeur est utilisé, il est nécessaire de bloquer le téléviseur sur un canal précis (habituellement le canal 3 ou 4). Utiliser la fonction Canal Fixe pour bloquer le téléviseur sur un canal précis. Pour plus de détails, se reporter à « Utilisation du menu Canal » à la page 78.
Basculer l'entrée du téléviseur entre le décodeur et le câble	Appuyer sur <b>ANT</b> pour basculer entre les entrées VHF/UHF (canaux non brouillés) et AUX (brouillés) du téléviseur.



## Décodeur seulement

### Pour obtenir de meilleurs résultats, utiliser ce raccordement si :

- ❑ Votre société de câblodistribution brouille tous les canaux, nécessitant l'utilisation d'un décodeur.
- ❑ Vous n'avez pas de magnétoscope. (Si vous avez un magnétoscope, se reporter aux pages 26 et 28.)

### Grâce à ce raccordement vous pouvez :

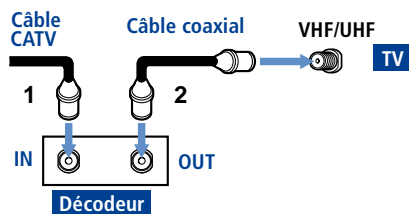
- ❑ Utiliser la télécommande du téléviseur pour changer les canaux transmis par le décodeur dans la prise VHF/UHF du téléviseur. (Vous devez d'abord programmer la télécommande selon votre décodeur particulier.)

*Remarque sur l'utilisation des options d'image double (syntoniseur Twin View, etc.) avec ce raccordement*

Avec ce raccordement, tous les canaux sont transmis à votre téléviseur par le décodeur et un seul signal non brouillé est envoyé au téléviseur. Par conséquent, il n'est pas possible d'utiliser la fonction de l'image double. Si certains canaux sont brouillés et certains autres ne le sont pas, considérer l'utilisation du raccordement « Décodeur et câble seulement » à la page 22.

### Pour raccorder le décodeur

- 1 Raccorder le câble CATV à la prise d'entrée du décodeur.
- 2 Utiliser un câble coaxial pour raccorder la prise de sortie du décodeur à la prise VHF/UHF du téléviseur.
- 3 Lancer le programme d'auto-régulation, tel qu'il est décrit dans la section « Régulation de la liste de canaux » à la page 43.



### Remarques sur l'utilisation de ce raccord

Pour faire ceci ...	Faire cela ...
Utiliser le décodeur	Syntoniser le téléviseur au canal auquel le décodeur est réglé (habituellement le canal 3 ou 4) puis utiliser le décodeur pour changer les canaux.
Régler la télécommande du téléviseur pour qu'elle fasse fonctionner le décodeur	Programmer la télécommande. Se reporter à « Programmation de la télécommande » aux pages 51-52.
Activer la télécommande pour qu'elle fasse fonctionner le décodeur	Appuyer sur <b>SAT/CABLE FUNCTION</b> .
Pour éviter tout changement involontaire des canaux du téléviseur	Lorsqu'un décodeur est utilisé, il est nécessaire de bloquer le téléviseur sur un canal précis (habituellement le canal 3 ou 4). Utiliser la fonction Canal Fixe pour bloquer le téléviseur sur un canal précis. Pour plus de détails, se reporter à « Utilisation du menu Canal » à la page 78.

## Raccordement d'appareil en option

Utiliser les directives comprises dans cette section pour raccorder les appareils en option suivants :

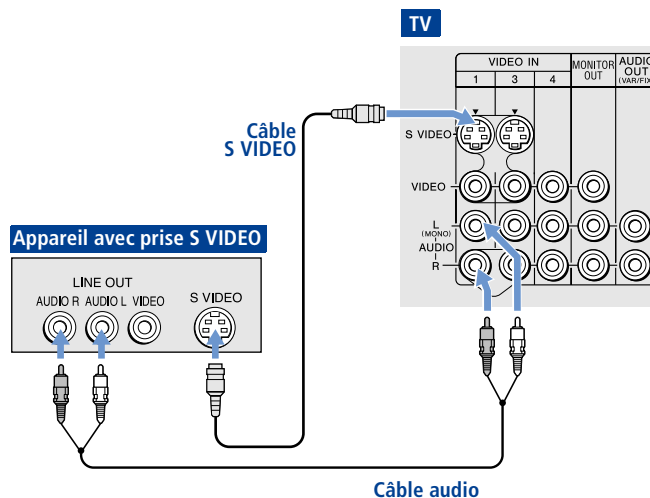
Pour raccorder	Voir la page
Magnétoscope et câble	26
Magnétoscope et décodeur	28
Deux magnétoscopes pour l'édition de vidéocassettes	30
Récepteur satellite	32
Récepteur satellite et magnétoscope	34
Lecteur DVD avec connecteurs de composantes vidéo	36
Lecteur DVD avec connecteurs audio et S VIDEO	38
Caméscope	40
Récepteur audio	41

### Au sujet de l'utilisation du S VIDEO



Si l'appareil en option devant être raccordé est muni d'une prise S VIDEO (illustrée à gauche), vous pouvez utiliser un câble S VIDEO pour améliorer la qualité de l'image (comparativement à un câble A/V). Puisque la fonction S VIDEO ne transmet que le signal vidéo, vous devez aussi raccorder des câbles audio pour le son, tel qu'illustré ci-dessous.

#### Exemple d'un raccordement S VIDEO



Les câbles sont souvent chromocodés aux raccords. Raccorder le câble rouge à la prise rouge, le câble blanc à la prise blanche, etc.

## Magnétoscope et câble

Pour obtenir de meilleurs résultats, utiliser ce raccordement si:

- ❑ Votre société de câblodistribution n'exige pas l'utilisation d'un décodeur.

*Remarque sur l'utilisation des options d'image double (syntoniseur Twin View, etc.) avec ce raccordement*

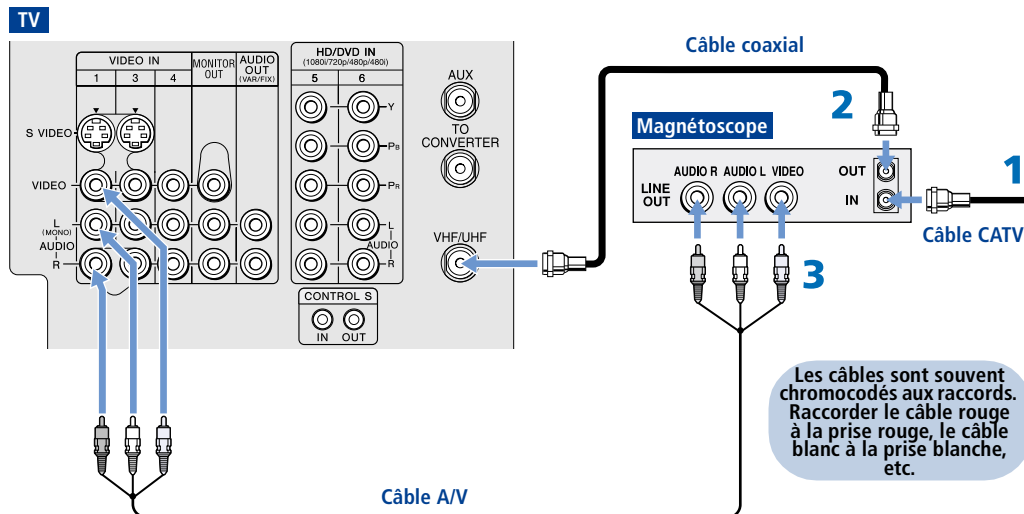
Avec ce raccordement, vous pouvez utiliser toutes les options d'image double.



**Vous utilisez des prises S VIDEO?**  
Voir la page 25.

### Pour raccorder le magnétoscope et le câble

- 1 Raccorder un câble CATV à la prise d'entrée VHF/UHF du téléviseur.
- 2 Utiliser un câble coaxial pour raccorder la prise de sortie VHF/UHF du magnétoscope à la prise UHF/VHF du téléviseur.
- 3 Utiliser un câble A/V pour raccorder les prises de sortie A/V du magnétoscope aux prises d'entrée A/V du téléviseur.
- 4 Exécuter programme d'auto-réglage, tel qu'il est décrit dans la section « Réglage de la liste de canaux » à la page 43.



### Remarques sur l'utilisation de ce raccord

<i>Pour faire ceci ...</i>	<i>Faire cela ...</i>
Regarder le magnétoscope	Appuyer sur <b>TV/VIDEO</b> à plusieurs reprises pour sélectionner l'entrée du magnétoscope (VIDEO 1 dans l'illustration).
Regarder les canaux du câble	Appuyer sur <b>TV/VIDEO</b> à plusieurs reprises pour sélectionner l'entrée du câble (VHF/UHF dans l'illustration).
Régler la télécommande pour qu'elle fasse fonctionner le magnétoscope	Si votre magnétoscope n'est pas fabriqué par Sony, vous devez programmer la télécommande. Se reporter à « Programmation de la télécommande » aux pages 51-52.
Activer la télécommande pour qu'elle fasse fonctionner le magnétoscope	Ouvrir le couvercle extérieur, tel qu'indiqué à la page 50. Ensuite, régler l'interrupteur à glissière A/V à la position programmée pour le magnétoscope.
Contrôler les fonctions du magnétoscope à partir de la télécommande du téléviseur	Se reporter à « Fonctionnement d'un magnétoscope » à la page 53.
Étiqueter les entrées vidéo pour facilement identifier les appareils raccordés au téléviseur	Se reporter aux directives de réglage des étiquettes vidéo aux pages 83-84.

## Magnétoscope et décodeur

### Pour obtenir de meilleurs résultats, utilisez ce raccordement si :

- ❑ Votre société de câblodistribution brouille certains canaux, tels que la télévision payante (qui exige l'utilisation d'un décodeur), mais ne brouille pas tous les canaux.

*Remarque sur l'utilisation des options d'image double (syntoniseur Twin View, etc.) avec ce raccordement*

Avec ce raccordement, vous pouvez utiliser toutes les options d'image double.

### Grâce à ce raccordement vous pouvez :

- ❑ Utiliser la télécommande du téléviseur pour changer les canaux transmis par le décodeur. (Vous devez d'abord programmer la télécommande selon votre décodeur particulier; se reporter à « Programmation de la télécommande » à la page 51.)
- ❑ Utiliser la télécommande du téléviseur pour changer les canaux transmis directement dans la prise VHF/UHF du téléviseur. (Le syntoniseur du téléviseur offre un meilleur signal que le décodeur.)
- ❑ Enregistrer des émissions provenant du décodeur et transmis directement dans le téléviseur.

### Pour raccorder un magnétoscope et un décodeur, vous devez avoir :

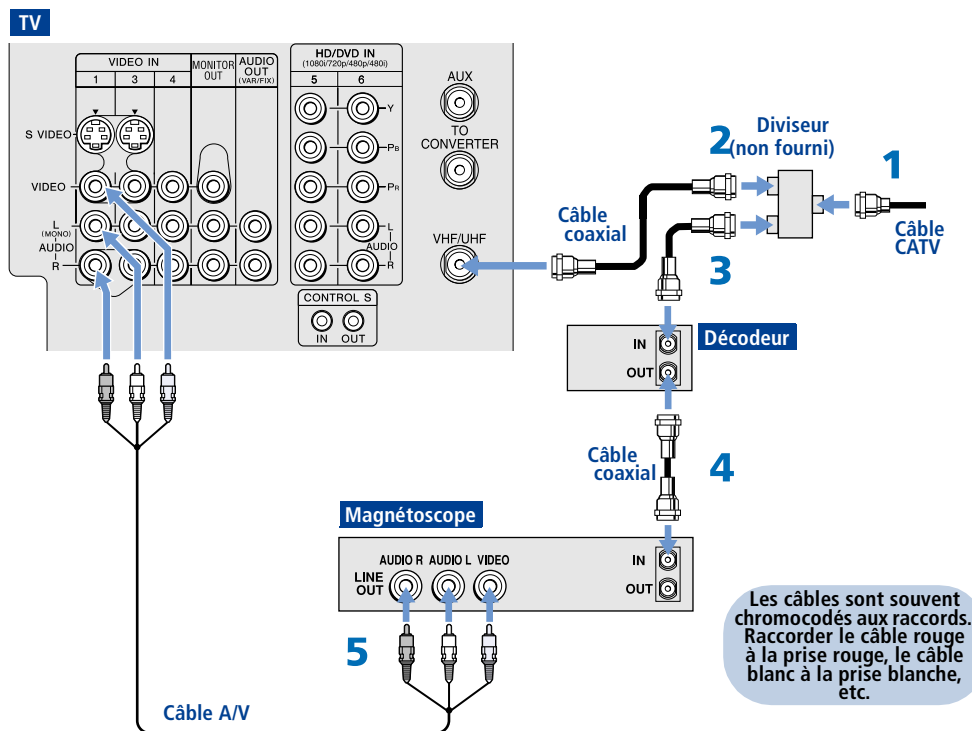
- ❑ Un diviseur, qui est un petit dispositif peu coûteux que vous pouvez vous procurer chez votre marchand de fournitures électriques local.
- ❑ Trois câbles coaxiaux.
- ❑ Un câble A/V ou un câble S VIDEO et des câbles audio.

### Pour raccorder le magnétoscope et un décodeur

- 1 Raccorder le câble CATV à la prise simple (entrée) du diviseur.
- 2 Utiliser un câble coaxial pour raccorder une des deux prises de sortie du diviseur à la prise VHF/UHF du téléviseur.
- 3 Utiliser un câble coaxial pour raccorder l'autre prise de sortie du diviseur à la prise d'entrée du décodeur.
- 4 Utiliser un câble coaxial pour raccorder la prise de sortie du décodeur à la prise d'entrée RF du magnétoscope.
- 5 Utiliser un câble A/V pour raccorder les prises de sortie A/V du magnétoscope aux prises d'entrée A/V du téléviseur.
- 6 Lancer le programme d'auto-réglage, tel qu'il est décrit dans la section « Réglage de la liste de canaux » à la page 43.



**Vous utilisez des prises S VIDEO?**  
Voir la page 25.



**Remarques sur l'utilisation de ce raccord**

Pour faire ceci ...	Faire cela ...
Regarder les canaux du câble (non brouillés)	Appuyer sur <b>TV/VIDEO</b> à plusieurs reprises pour sélectionner l'entrée du câble (UHF/VHF dans l'illustration).
Regarder les canaux du décodeur (brouillés)	Allumer le magnétoscope et le syntoniser au canal auquel est réglé le décodeur (habituellement, le canal 3 ou 4). Appuyer sur <b>TV/VIDEO</b> à plusieurs reprises sélectionner l'entrée du magnétoscope (VIDEO 1 dans l'illustration). Utiliser le décodeur pour changer les canaux.
Regarder le magnétoscope	Appuyer sur <b>TV/VIDEO</b> à plusieurs reprises pour sélectionner l'entrée du magnétoscope (VIDEO 1 dans l'illustration).
Régler la télécommande pour qu'elle fasse fonctionner le décodeur ou le magnétoscope	Si votre magnétoscope n'est pas fabriqué par Sony, vous devez programmer la télécommande. Se reporter à « Programmation de la télécommande » aux pages 51-52.
Activer la télécommande pour qu'elle fasse fonctionner le décodeur ou le magnétoscope	Pour le décodeur, appuyer sur <b>SAT/CABLE FUNCTION</b> . Pour le magnétoscope, ouvrir le couvercle extérieur, tel qu'indiqué à la page 50. Ensuite, régler l'interrupteur à glissière A/V à la position choisie pour le magnétoscope.
Contrôler des fonctions précises du décodeur et du magnétoscope à partir de la télécommande du téléviseur	Se reporter à « Fonctionnement d'un décodeur » à la page 54 et « Fonctionnement d'un magnétoscope » à la page 53.
Étiqueter les entrées vidéo pour facilement identifier les appareils raccordés au téléviseur	Se reporter aux directives de réglage des étiquettes vidéo aux pages 83-84.

## Deux magnétoscopes pour l'édition de vidéocassettes

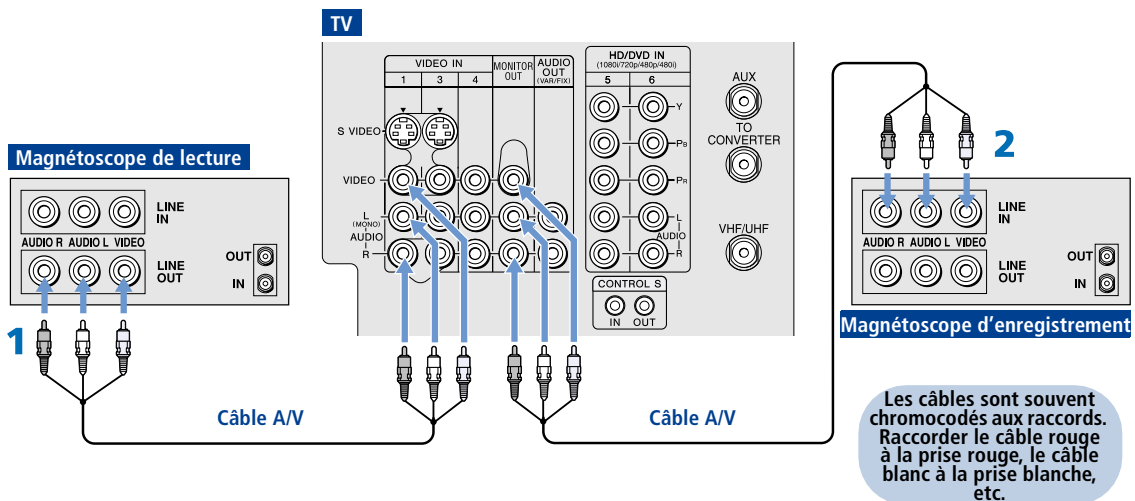


Vous utilisez des prises S VIDEO? Voir la page 25.

Le raccordement de deux magnétoscopes vous permet d'enregistrer d'un magnétoscope à l'autre. En les raccordant tel qu'il est illustré ci-dessous, il est possible de vérifier l'enregistrement.

### Pour raccorder deux magnétoscopes pour l'édition de vidéocassettes

- 1 Utiliser un câble A/V pour raccorder les prises de sortie A/V du magnétoscope de lecture aux prises d'entrée A/V du téléviseur.
- 2 Utiliser un câble A/V pour raccorder les prises d'entrée A/V du magnétoscope d'enregistrement aux prises de sortie MONITOR OUT du téléviseur.





### Remarques sur l'utilisation de ce raccord

<i>Pour faire ceci ...</i>	<i>Faire cela ...</i>
Voir (contrôler) ce qui est enregistré	Appuyer sur <b>TV/VIDEO</b> à plusieurs reprises pour sélectionner l'entrée du magnétoscope (VIDEO 1 dans l'illustration).
Régler la télécommande pour qu'elle fasse fonctionner les magnétoscopes	Si votre magnétoscope n'est pas fabriqué par Sony, vous devez programmer la télécommande. Se reporter à « Programmation de la télécommande » aux pages 51-52.
Activer la télécommande pour qu'elle fasse fonctionner les magnétoscopes	Ouvrir le couvercle extérieur, tel qu'indiqué à la page 50. Ensuite, régler l'interrupteur à glissière A/V à la position programmée pour le magnétoscope.
Contrôler les fonctions du magnétoscope à partir de la télécommande du téléviseur	Se reporter à « Fonctionnement d'un magnétoscope » à la page 53.
Étiqueter les entrées vidéo pour facilement identifier les appareils raccordés au téléviseur	Se reporter aux directives de réglage des étiquettes vidéo aux pages 83-84.

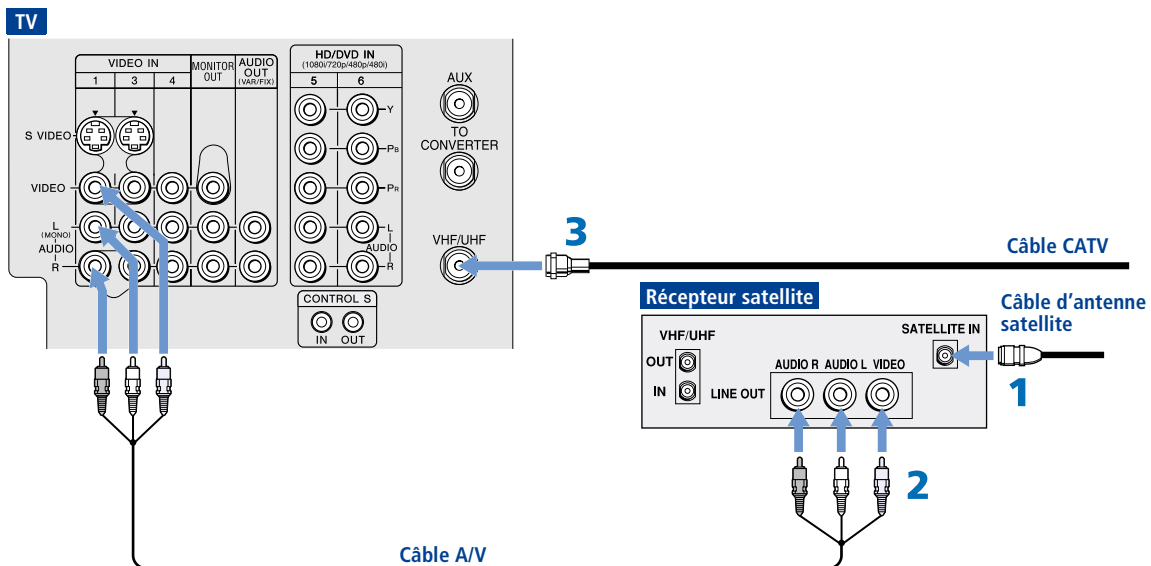
## Récepteur satellite



Vous utilisez des prises S VIDEO? Voir la page 25.

### Pour raccorder un récepteur satellite

- 1 Raccorder le câble de l'antenne satellite à la prise d'entrée satellite du récepteur satellite.
- 2 Utiliser un câble A/V pour raccorder les prises de sortie A/V du récepteur satellite aux prises d'entrée A/V du téléviseur.
- 3 Raccorder un câble CATV de l'antenne ou du câble à la prise VHF/UHF du téléviseur.
- 4 Lancer le programme d'auto-réglage, tel qu'il est décrit dans la section « Réglage de la liste de canaux » à la page 43.



Les câbles sont souvent chromocodés aux raccords. Raccorder le câble rouge à la prise rouge, le câble blanc à la prise blanche, etc.

### Remarques sur l'utilisation de ce raccord

<i>Pour faire ceci ...</i>	<i>Faire cela ...</i>
Regarder le récepteur satellite	Appuyer sur <b>TV/VIDEO</b> à plusieurs reprises pour sélectionner l'entrée du récepteur satellite (VIDEO 1 dans l'illustration).
Régler la télécommande pour qu'elle fasse fonctionner le récepteur satellite	Si votre récepteur satellite n'est pas fabriqué par Sony, vous devez programmer la télécommande. Se reporter à « Programmation de la télécommande » aux pages 51-52.
Activer la télécommande pour qu'elle fasse fonctionner le récepteur satellite	Appuyer sur <b>SAT/CABLE FUNCTION</b> .
Contrôler les fonctions du récepteur satellite à partir de la télécommande du téléviseur	Se reporter à « Fonctionnement d'un récepteur satellite » à la page 53.
Étiqueter les entrées vidéo pour facilement identifier les appareils raccordés au téléviseur	Se reporter aux directives de réglage des étiquettes vidéo aux pages 83-84.

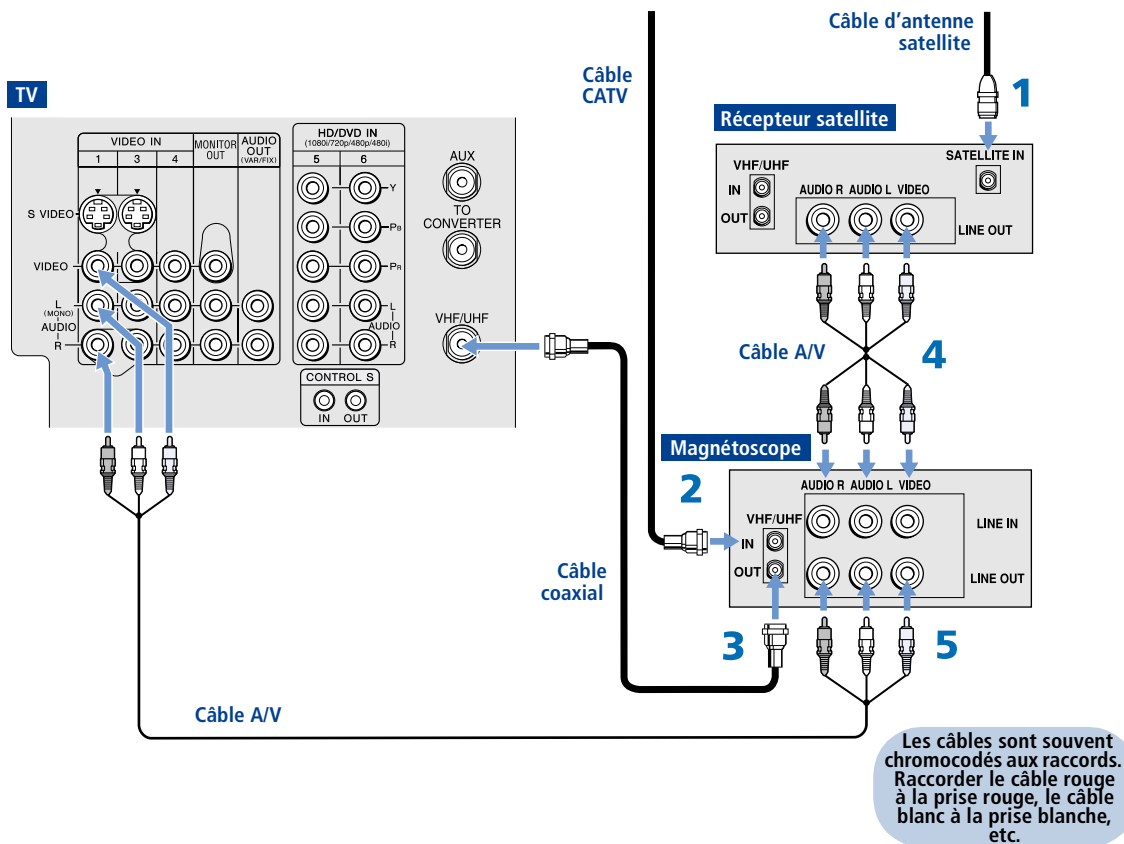
## Récepteur satellite et magnéto



Vous utilisez des prises S VIDEO? Voir la page 25.

### Pour raccorder un récepteur satellite et un magnéto

- 1 Raccorder le câble de l'antenne satellite à la prise d'entrée satellite du récepteur satellite.
- 2 Raccorder le câble CATV à la prise d'entrée VHF/UHF du magnéto.
- 3 Utiliser un câble coaxial pour raccorder la prise de sortie VHF/UHF du magnéto à la prise VHF/UHF du téléviseur.
- 4 Utiliser un câble A/V pour raccorder les prises de sortie A/V du récepteur satellite aux prises d'entrée A/V du magnéto.
- 5 Utiliser un câble A/V pour raccorder les prises de sortie A/V du magnéto aux prises d'entrée A/V du téléviseur.
- 6 Lancer le programme d'auto-réglage, tel qu'il est décrit dans la section « Réglage de la liste de canaux » à la page 43.



## Remarques sur l'utilisation de ce raccord


<i>Pour faire ceci ...</i>	<i>Faire cela ...</i>
Regarder le récepteur satellite	Appuyer sur <b>TV/VIDEO</b> à plusieurs reprises pour sélectionner l'entrée du magnétoscope (VIDEO 1 dans l'illustratio). Le magnétoscope aura peut-être besoin d'être allumé et réglé à l'entrée du récepteur satellite.
Regarder le magnétoscope	Appuyer sur <b>TV/VIDEO</b> à plusieurs reprises pour sélectionner l'entrée à laquelle le magnétoscope est raccordé (VIDEO 1 dans l'illustration).
Régler la télécommande pour qu'elle fasse fonctionner le récepteur satellite ou le magnétoscope	Si votre magnétoscope ou récepteur satellite n'est pas fabriqué par Sony, vous devez programmer la télécommande. Se reporter à « Programmation de la télécommande » aux pages 51-52.
Activer la télécommande pour qu'elle fasse fonctionner le récepteur satellite ou le magnétoscope	Pour le récepteur satellite, appuyer sur <b>SAT/CABLE FUNCTION</b> . Pour le magnétoscope, ouvrir le couvercle extérieur, tel qu'indiqué à la page 50. Ensuite, régler l'interrupteur à glissière A/V à la position choisie pour le magnétoscope.
Contrôler les fonctions du récepteur satellite et du magnétoscope à partir de la télécommande du téléviseur	Se reporter à « Fonctionnement d'un récepteur satellite » à la page 53 et « Fonctionnement d'un magnétoscope » à la page 53.
Étiqueter les entrées vidéo pour facilement identifier les appareils raccordés au téléviseur	Se reporter aux directives de réglage des étiquettes vidéo aux pages 83-84.

## Lecteur DVD avec connecteurs de composantes vidéo

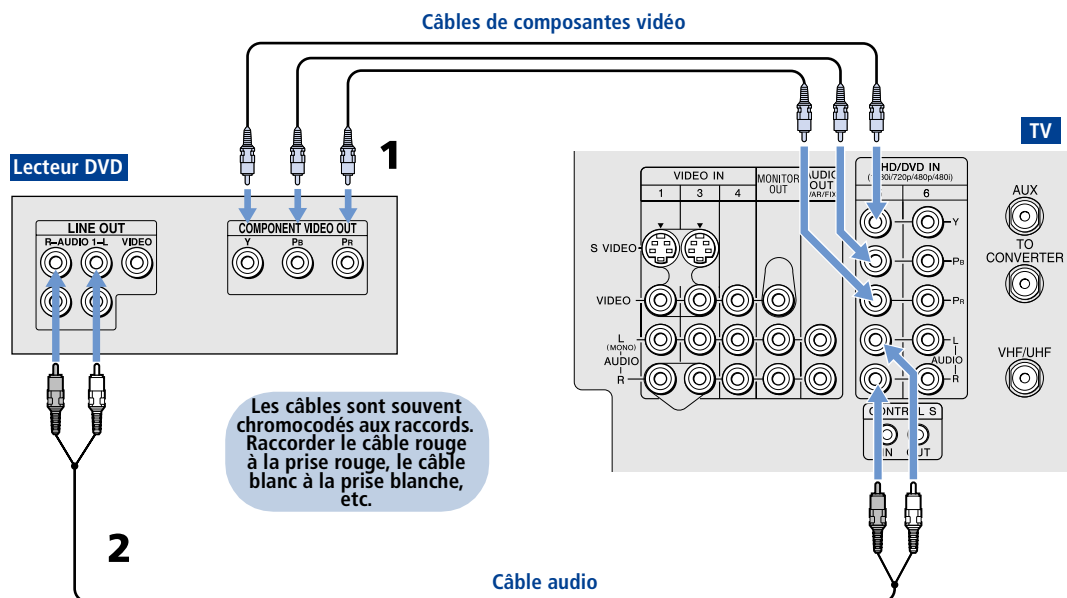
Pour obtenir de meilleurs résultats, utiliser ce raccordement si votre lecteur DVD possède des prises de composantes vidéo (Y, Pb, Pr).

### Pour raccorder un lecteur DVD avec connecteurs de composantes vidéo

- 1 Utiliser trois câbles de composantes vidéo séparés pour raccorder les prises Y, Pb et Pr du lecteur DVD aux prises Y, Pb et Pr (VIDEO 5) du téléviseur.

 Les prises Y, Pb et Pr de votre lecteur DVD sont parfois étiquetées Y, Cb et Cr ou Y, B-Y et R-Y. Dans ce cas, utiliser le code couleur pour effectuer les raccordements.

- 2 Utiliser un câble audio pour raccorder les prises de sortie audio du lecteur DVD aux prises d'entrée audio VIDEO 5 du téléviseur.



### Remarques sur l'utilisation de ce raccord

<i>Pour faire ceci ...</i>	<i>Faire cela ...</i>
Regarder le lecteur DVD	Appuyer sur <b>TV/VIDEO</b> à plusieurs reprises pour sélectionner l'entrée du DVD (VIDEO 5 dans l'illustration).
Régler la télécommande pour qu'elle fasse fonctionner le lecteur DVD	Si votre lecteur DVD n'est pas fabriqué par Sony, vous devez programmer la télécommande. Se reporter à « Programmation de la télécommande » aux pages 51-52.
Activer la télécommande pour qu'elle fasse fonctionner le lecteur DVD	Ouvrir le couvercle extérieur, tel qu'indiqué à la page 50. Ensuite, régler l'interrupteur à glissière A/V à la position programmée pour le lecteur DVD.
Contrôler les fonctions du DVD à partir de la télécommande du téléviseur	Se reporter à « Fonctionnement d'un lecteur DVD » à la page 54.
Étiqueter les entrées vidéo pour facilement identifier les appareils raccordés au téléviseur	Se reporter aux directives de réglage des étiquettes vidéo aux pages 83-84.



**Vous ne pouvez pas enregistrer le signal provenant d'un appareil raccordé aux prises Y, Pb, Pr.**



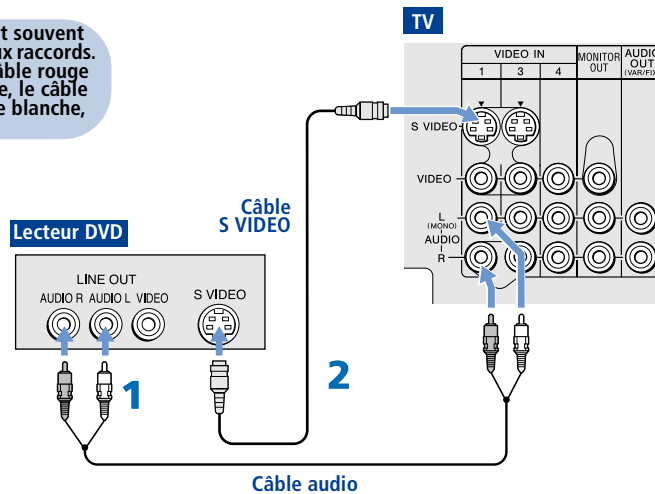
## Lecteur DVD avec connecteurs audio et S VIDEO

Utiliser ce raccordement si le lecteur DVD ne possède pas de prises de composantes vidéo (Y, PB, PR).

### Pour raccorder un lecteur DVD avec connecteurs A/V

- 1 Utiliser un câble audio pour raccorder les prises de sortie audio du lecteur DVD aux prises d'entrée audio du téléviseur.
- 2 Utiliser un câble S VIDEO pour raccorder la prise S VIDEO du lecteur DVD à la prise S VIDEO du téléviseur.

Les câbles sont souvent chromocodés aux raccords. Raccorder le câble rouge à la prise rouge, le câble blanc à la prise blanche, etc.




### Remarques sur l'utilisation de ce raccord

Pour faire ceci ...	Faire cela ...
Regarder le lecteur DVD	Appuyer sur <b>TV/VIDEO</b> à plusieurs reprises pour sélectionner l'entrée du DVD (VIDEO 1 dans l'illustration).
Régler la télécommande pour qu'elle fasse fonctionner le lecteur DVD	Si votre lecteur DVD n'est pas fabriqué par Sony, vous devez programmer la télécommande. Se reporter à « Programmation de la télécommande » aux pages 51-52.
Activer la télécommande pour qu'elle fasse fonctionner le lecteur DVD	Ouvrir le couvercle extérieur, tel qu'indiqué à la page 50. Ensuite, régler l'interrupteur à glissière A/V à la position programmée pour le lecteur DVD.
Contrôler les fonctions du DVD à partir de la télécommande du téléviseur	Se reporter à « Fonctionnement d'un lecteur DVD » à la page 54.
Étiqueter les entrées vidéo pour facilement identifier les appareils raccordés au téléviseur	Se reporter aux directives de réglage des étiquettes vidéo aux pages 83-84.

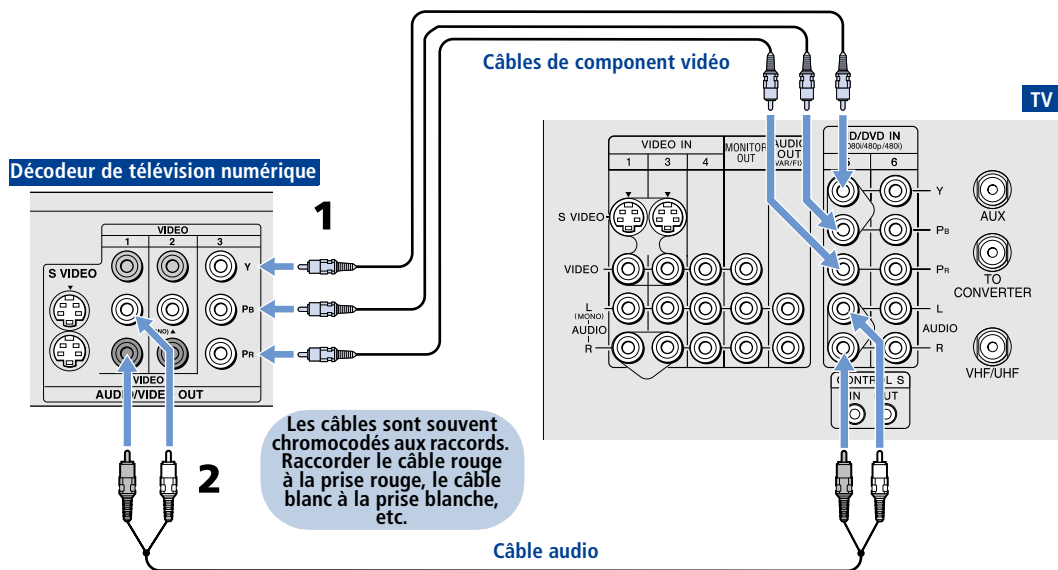
## Décodeur de télévision numérique avec raccords de composantes vidéo

Pour raccorder un décodeur de télévision numérique avec des raccords de composantes vidéo

- 1 Utiliser trois câbles de composantes vidéo séparés pour raccorder les prises Y, PB et PR du lecteur DVD aux prises Y, PB et PR (VIDEO 5) de la télévision.

 Les prises Y, PB et PR de votre lecteur DVD sont parfois étiquetées Y, CB et CR ou encore Y, B-Y et R-Y. Dans ce cas, utiliser le code couleur pour effectuer les raccords.

- 2 Utiliser un câble audio pour raccorder les prises de sortie audio du décodeur aux prises d'entrée audio VIDEO 5 de la télévision.



### Remarques sur l'utilisation de ce raccord

Pour faire ceci ...


Faire cela ...

Regarder le décodeur numérique de la télévision

Appuyer sur TV/VIDEO à plusieurs reprises pour sélectionner l'entrée du décodeur de télévision numérique (VIDEO 5 dans l'illustration).

Étiqueter les entrées vidéo pour facilement identifier les appareils raccordés à la télévision

Se reporter aux directives de réglage des étiquettes vidéo aux pages 83-84.

 Vous ne pouvez pas enregistrer le signal provenant d'un appareil raccordé aux prises Y, PB, PR.

## Caméscope

Pour faciliter le raccordement du caméscope, les prises d'entrée audio et vidéo sont situées sur le devant du téléviseur. Cependant, si vous le désirez, il est aussi possible de faire les raccordements du caméscope aux prises d'entrée A/V situées à l'arrière du téléviseur.

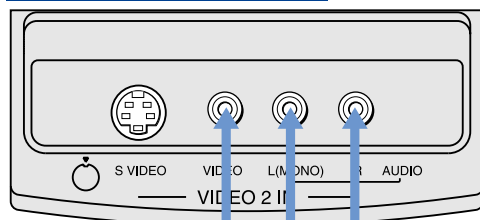


**Vous utilisez des prises S VIDEO?**  
Voir la page 25.

### Pour raccorder un caméscope

- 1 Ouvrir le panneau vidéo avant, tel qu'indiqué à la page 13.
- 2 Utiliser des câbles A/V pour raccorder les prises de sortie A/V du caméscope aux prises d'entrée A/V du téléviseur.

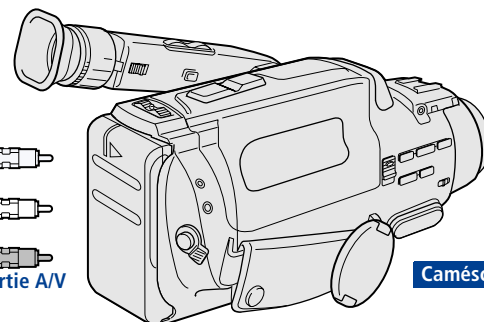
Panneau vidéo avant du téléviseur



Les câbles sont souvent chromocodés aux raccords. Raccorder le câble rouge à la prise rouge, le câble blanc à la prise blanche, etc.

Câble A/V

Vers la sortie A/V



Caméscope

Si vous possédez un caméscope mono, raccorder sa prise de sortie audio à la prise audio mono gauche du téléviseur.

### Remarques sur l'utilisation de ce raccord

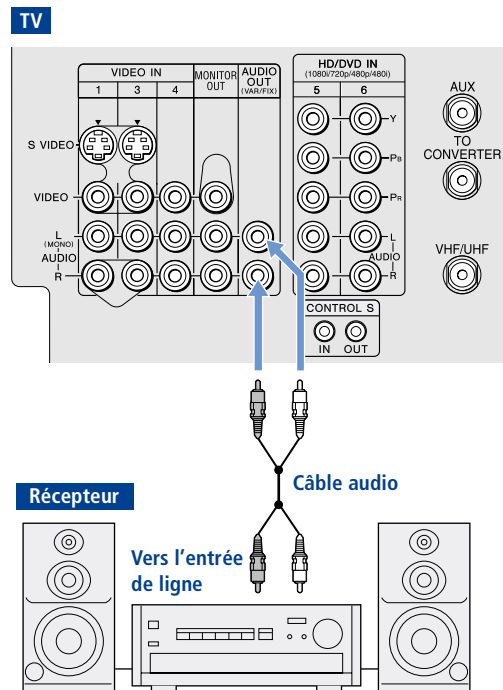
Pour faire ceci ...	Faire cela ...
Regarder le caméscope	Appuyer sur <b>TV/VIDEO</b> à plusieurs reprises pour sélectionner l'entrée du caméscope (VIDEO 2 dans l'illustration).
Étiqueter les entrées vidéo pour facilement identifier les appareils raccordés au téléviseur	Se reporter aux directives de réglage des étiquettes vidéo aux pages 83-84.

## Récepteur audio

Pour améliorer la qualité du son, il est possible de faire jouer le son du téléviseur par votre chaîne stéréophonique.

### Pour raccorder une chaîne stéréophonique

- 1 Utiliser un câble audio pour raccorder les prises de sortie audio du téléviseur aux prises d'entrée de ligne du récepteur audio.



Réglage

- 2 À l'aide du menu Audio du téléviseur, régler l'option **Haut-parleur** à **Non**. Régler ensuite l'option **Sortie audio** à **Fixe** ou **Variable**, selon la façon dont vous désirez contrôler le volume. Pour plus de détails, se reporter à « Utilisation du menu Audio » à la page 74.
- 3 Allumer le récepteur audio, puis régler l'entrée de ligne du récepteur avec la prise dans laquelle vous avez raccordé le téléviseur.

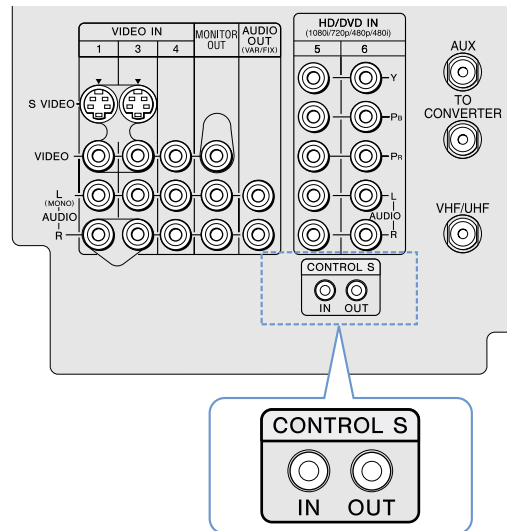
## Utilisation de la fonction CONTROL S

La fonction CONTROL S vous permet de contrôler votre système et tout autre appareil Sony au moyen d'une seule télécommande. En plus de vous permettre de contrôler plusieurs appareils au moyen d'une seule télécommande, la fonction CONTROL S vous permet de toujours diriger la télécommande vers le téléviseur au lieu d'avoir à la diriger vers les autres appareils, qui peuvent être cachés ou hors du champ direct.

Utiliser la fonction CONTROL S IN pour transmettre des signaux au téléviseur.

Utiliser la fonction CONTROL S OUT pour transmettre des signaux aux appareils raccordés.

### TV



## Réglage de la liste de canaux

Après avoir terminé les raccordements du téléviseur, vous devez lancer le programme d'auto-réglage pour régler les canaux. L'écran d'auto-réglage apparaît lorsque vous allumez le téléviseur pour la première fois après l'avoir raccordé. Si vous ne désirez pas régler les canaux dès maintenant, vous pouvez le faire plus tard en choisissant l'option du Auto programmation à partir du menu Canal (se reporter à la page 78).



La fonction d'auto-réglage ne s'applique pas aux installations qui utilisent un décodeur pour la sélection de tous les canaux.

### Utilisation de l'auto-réglage

- 1 Appuyer sur **POWER** pour allumer le téléviseur.
- 2 Appuyer sur **TV FUNCTION** qui se trouve sur la télécommande.
- 3 Pour continuer à exécuter l'auto-réglage, appuyer sur **CH+**. Pour quitter l'auto-réglage, appuyer sur **CH-**.


L'auto-réglage crée automatiquement une liste des canaux recevables. Lorsque terminé, le canal possédant le chiffre le plus bas est affiché.


#### Pour remettre les réglages en usine du téléviseur

- 1 Appuyer sur **POWER** pour allumer le téléviseur.
- 2 Tenir enfoncée **RESET** qui se trouve sur la télécommande.
- 3 Appuyer sur **TV POWER** qui se trouve sur le téléviseur. (Le téléviseur s'éteindra tout seul puis se rallumera.)
- 4 Relâcher **RESET**.

## Régler la convergence automatiquement (Flash Focus)

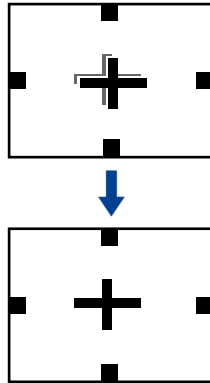
Le tube-image à projection apparaît à l'écran en trois couleurs (rouge, vert et bleu). Si les couleurs ne se convergent pas, la couleur est mauvaise et l'image est embrouillée. Avant d'utiliser votre télévision, s'assurer de régler la convergence. La fonction foyer éclair vous permet de régler la convergence automatiquement.

 Vous pouvez également accéder au Flash Focus à partir du menu Réglage. Pour plus de détails, se reporter à la page 85.

 Il est recommandé de régler le foyer éclair environ 30 minutes après avoir allumé la télévision pour la première fois.

- 1 Syntoniser un programme de télévision ou de câble.
- 2 Appuyer sur la touche **FLASH FOCUS** située sur le panneau avant de la télévision (se reporter aux pages 14-15).


Le motif croisé apparaît et Flash Focus commence à fonctionner.



Le réglage est terminé lorsque l'image de la télévision réapparaît à l'écran.

### Pour obtenir une convergence optimale

Lorsque l'image devient embrouillée, appuyer sur **FLASH FOCUS**.

 Il n'est pas possible d'effectuer d'autres fonctions tant que le cycle du Flash Focus n'est pas terminé. Si vous effectuez une autre opération pendant le cycle du Flash Focus, ce dernier sera annulé.


### Pour effectuer d'autres réglages minutieux manuellement


- Utiliser la fonction convergence décrite à la page 45.



## Régler la convergence manuellement

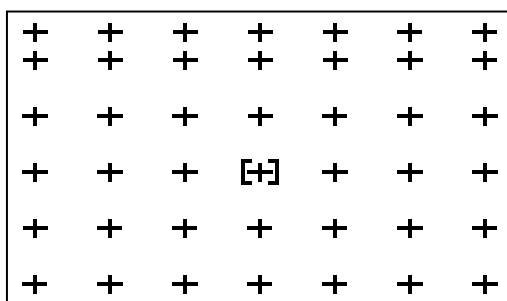
La fonction convergence vous offre plus de contrôle sur la convergence de l'image que la fonction Flash Focus, vous permettant ainsi de mettre au point la convergence.

 Avant d'utiliser la convergence manuelle, vous devez d'abord effectuer la fonction Flash Focus (tel que décrit à la page 44).

 Pour obtenir les détails sur l'utilisation du menu Réglage, se reporter à la page 83.

Réglage

- 1 Appuyer sur **MENU** pour afficher le menu.
- 2 Déplacer la manette ◀ ou ▶ pour choisir l'icône de réglage et appuyer sur ⊕.
- 3 Déplacer la manette pour choisir **Convergence** et appuyer sur ⊕.  
Un motif de croix blanches apparaît avec un [ ] jaune autour d'une des croix. Les croix alignées (qui n'ont pas besoin d'être réglées) paraissent blanches et ne reflètent que très peu de bleu ou de rouge, ou pas du tout. Les croix qui ne sont pas alignées présentent des tons de rouge ou de bleu au-delà de leurs rebords.



Vous pouvez faire défiler le champ de croix 9 x 7 vers le haut et vers le bas pour converger manuellement toutes les parties de l'écran.

- 4 Au moyen de la manette, déplacer le [ ] pour entourer la croix que vous désirez régler. Appuyer sur ⊕. Le [ ] devient rouge.
- 5 Si la croix que vous avez sélectionnée possède des rebords rouges, déplacer la manette jusqu'à ce que l'image rouge soit remplacée par une croix blanche. Après avoir terminé cette opération (ou lorsque la croix ne présente plus de rebords rouges), appuyer sur ⊕. Le [ ] devient bleu.
- 6 Si la croix que vous avez sélectionnée possède des rebords bleus, déplacer la manette jusqu'à ce que l'image bleue soit remplacée par une croix blanche. Après avoir terminé cette opération, appuyer sur ⊕. Le [ ] redevient jaune.
- 7 Répéter les étapes 4 à 6 pour régler les autres croix. Après avoir terminé, appuyer sur **MENU** pour quitter le menu Réglage.

---

**Remarques sur le réglage manuel de la convergence**

- ❑ Pour obtenir de meilleurs résultats, se tenir à une distance d'environ 0,9 à 1,5 mètre de l'image lors du réglage de la convergence. Commencer avec les croix qui se trouvent au centre de l'écran et une fois que celles-ci sont réglées, se déplacer vers les croix qui se trouvent sur les rebords de l'écran.
- ❑ Il est possible d'effectuer des réglages séparés dans chacun des modes grand écran : Plein écran/normal, zoom, grand zoom et entrée Memory Stick/1080i haute définition. (Ces fonctions partagent un mode de convergence commun.) Le motif croisé est différent dans chacun de ces modes, mais la procédure de réglage est la même. Appuyer sur la touche **WIDE MODE** située sur la télécommande pour basculer entre les écrans du mode grand écran.
- ❑ Pour optimiser les conditions du réglage de la convergence, à partir du menu Vidéo, régler **Mode** à **Pro** ou **Film** et baisser les réglages du niveau **Image** (se reporter à la page 72). Vous pouvez réinitialiser les réglages en appuyant sur la touche **RESET** qui se trouve sur la télécommande.

# Utilisation de la télécommande

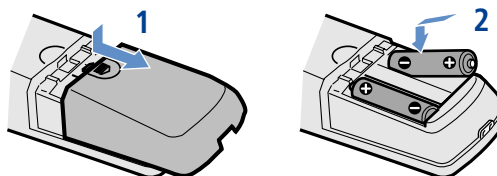
## Aperçu


Ce chapitre décrit la façon de régler, de programmer et d'utiliser la télécommande du téléviseur.

Sujet	Page
Insertion des piles	47
Descriptions des touches	
Panneau extérieur	48
Panneau intérieur	50
Programmation de la télécommande	51

## Insertion des piles

- 1 Retirer le couvercle du compartiment des piles de la télécommande.
- 2 Insérer deux piles AA (R6) (fournies) en faisant correspondre les bornes **+** et **-** des piles avec le diagramme qui se trouve à l'intérieur du compartiment des piles.
- 3 Replacer le couvercle.



 Retirer les piles pour éviter tout dommage causé par une fuite des piles lorsque vous ne prévoyez pas utiliser la télécommande pendant de longues périodes de temps.

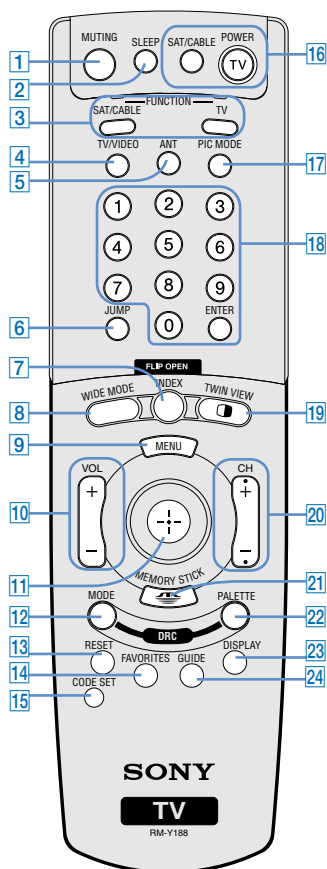
Manipuler la télécommande avec soins.


Éviter de l'échapper, de la mouiller, de la placer directement au soleil, près d'une source de chaleur ou dans un endroit où le taux d'humidité est élevé.



## Descriptions des touches

### Panneau extérieur

Télécommande




Touche	Description
1 MUTING	Appuyer pour assourdir le son. Appuyer à nouveau ou appuyer sur <b>VOL+</b> pour remettre le son.
2 SLEEP	Appuyer à plusieurs reprises jusqu'à ce que le téléviseur affiche en minutes (15, 30, 45, 60 ou 90) la durée de temps pendant laquelle vous désirez que le téléviseur demeure allumé avant qu'il ne s'éteigne automatiquement. Pour annuler, appuyer jusqu'à ce que <b>Sleep Non</b> apparaisse. Pendant que l'option de sommeil est activée, appuyer une fois pour afficher le temps qui reste.
3 Touches FUNCTION	Le témoin lumineux s'allume temporairement lorsqu'il est déprimé pour indiquer quel appareil est activé par la télécommande : <b>SAT/CABLE</b> : Appuyer pour allumer et éteindre le récepteur satellite ou le décodeur. <b>TV</b> : Appuyer pour allumer et éteindre le téléviseur.
4 TV/VIDEO	Appuyer à plusieurs reprises pour faire défiler les appareils vidéo raccordés aux entrées vidéo du téléviseur.
5 ANT	Appuyer pour basculer entre les sources raccordées aux entrées AUX et VHF/UHF du téléviseur.
6 JUMP	Appuyer pour aller et revenir entre deux canaux. Le téléviseur alterne entre le canal actuel et le dernier canal syntonisé.
7 INDEX	Appuyer pour afficher l'index de défilement. Pour plus de détails, se reporter à la page 57.
8 WIDE MODE	Appuyer à plusieurs reprises pour faire défiler les réglages du mode grand écran : <b>Grand Zoom</b> , <b>Normal</b> , <b>Plein écran</b> , <b>Zoom</b> . Cette fonction est aussi disponible à partir du menu Écran. Pour plus de détails, se reporter aux pages 58 et 76.
9 MENU	Appuyer pour afficher le menu. Appuyer à nouveau pour quitter l'écran du menu. Pour plus de détails, se reporter à la page 71.
10 VOL +/-	Appuyer pour régler le volume.
11 	Déplacer la manette <b>↑ ↓ ← →</b> pour déplacer le curseur à l'écran. Pour choisir une option, appuyer au centre de la manette ( <b>+</b> ).
12 DRC MODE	Appuyer à plusieurs reprises pour faire défiler les modes de haute résolution disponibles : <b>Entrelacé</b> , <b>Progressif</b> , <b>CineMotion</b> . Cette fonction est aussi accessible à partir du menu Vidéo. Pour plus de détails, se reporter à « Sélection des options vidéo » aux pages 72-73.

<i>Touche</i>	<i>Description</i>
13 RESET	Appuyer pour réinitialiser les réglages du fabricant. Se reporter aux pages 72 et 74. Sert aussi à effacer la liste de canaux préférés (se reporter à la page 62).
14 FAVORITES	Appuyer pour afficher la liste de canaux préférés. Pour plus de détails, se reporter à la page 62.
15 CODE SET	Appuyer afin de programmer la télécommande à faire fonctionner des appareils non fabriqués par Sony. Pour plus de détails, se reporter à « Programmation de la télécommande » à la page 51.
16 Touches POWER	<b>SAT/CABLE*</b> : Appuyer pour allumer et éteindre le récepteur satellite ou le décodeur. <b>TV</b> : Appuyer pour allumer et éteindre le téléviseur.
17 PIC MODE	Appuyer à plusieurs reprises pour faire défiler les modes image vidéo disponibles : <b>Éclatant</b> , <b>Standard</b> , <b>Film</b> , <b>Pro</b> . Cette option est aussi accessible à partir du menu Vidéo. Pour plus de détails, se reporter à « Sélection des options vidéo » aux pages 72-73.
18 0 - 9 ENTER	Appuyer sur <b>0 - 9</b> pour choisir un canal; le canal change après 3 secondes. Appuyer sur <b>ENTER</b> pour changer les canaux immédiatement.
19 TWIN VIEW 	Appuyer pour activer et désactiver le syntoniseur Twin View. Pour plus de détails, se reporter aux pages 59-61.
20 CH +/-	Appuyer pour faire défiler les canaux. Pour défiler rapidement à travers les canaux, appuyer et tenir enfoncée une des touches <b>CH</b> .
21 MEMORY STICK 	Appuyer pour faire défiler le menu Memory Stick. Pour plus de détails, se reporter à « Utilisation du visualiseur d'images Memory Stick » à la page 64.
22 DRC PALETTE	Appuyer à plusieurs reprises pour faire défiler les trois options personnalisées de la palette DRC. Cette fonction est aussi disponible à partir du menu Vidéo. Pour plus de détails, se reporter à « Sélection des options vidéo » aux pages 72-73.
23 DISPLAY	Appuyer une fois pour afficher le numéro du canal actuel, l'heure et l'étiquette du canal (si réglée). Appuyer à nouveau pour désactiver l'affichage.
24 GUIDE*	Appuyer pour afficher le guide d'émissions de votre fournisseur de service satellite.

\* La télécommande doit d'abord être programmée (page 51), si cette dernière n'a pas été fabriquée par Sony.

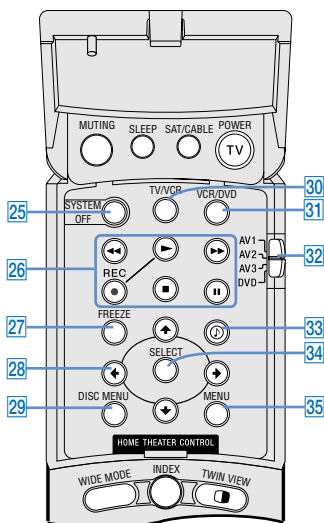
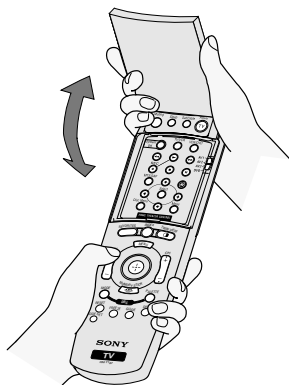
## Panneau intérieur

Pour accéder au panneau intérieur, ouvrir le couvercle extérieur comme dans l'illustration.

 L'ouverture du couvercle extérieur commute automatiquement la télécommande à faire fonctionner votre magnétoscope ou lecteur DVD, selon la position de l'interrupteur à glissière A/V. Pour plus de détails, se reporter à la page 51.

Les touches du magnétoscope et DVD exigent que la télécommande soit d'abord programmée (page 51), si le magnétoscope et le lecteur DVD n'ont pas été fabriqués par Sony.

Télécommande




Touche	Description
25 SYSTEM OFF	Appuyer pour éteindre tous les appareils audio/vidéo de marque Sony en même temps. (Cette fonction peut ne pas fonctionner avec des appareils Sony plus anciens.)
26 Touches de Transport	<ul style="list-style-type: none"> <li>◀◀ Rebobiner</li> <li>▶▶ Marche</li> <li>● Enregistrer (appuyer simultanément avec ▶▶)</li> <li>■ Arrêt</li> <li>▶▶ Avance rapide</li> <li>   Pause</li> </ul>
27 FREEZE	Appuyer pour arrêter l'image. Appuyer à nouveau pour remettre l'image. Pour plus de détails, se reporter à la « Utilisation de la fonction d'arrêt » à la page 63.
28 ⬆ ⬇ ⬅ ➡	Appuyer sur ⬆ ⬇ ⬅ ➡ pour déplacer le curseur à l'écran du magnétoscope ou du lecteur DVD.
29 DISC MENU	Appuyer pour afficher le menu DVD.
30 TV/VCR	Appuyer pour changer la sortie VHF/UHF du magnétoscope.
31 VCR/DVD	Appuyer pour allumer et éteindre le magnétoscope ou le lecteur DVD.
32 AV1/2/3/DVD Interrupteur à glissière	Utiliser l'interrupteur à glissière A/V pour contrôler les appareils vidéo raccordés. Vous pouvez programmer une source vidéo pour chaque position de l'interrupteur. Pour plus de détails, se reporter à « Programmation de la télécommande » à la page 51.
33 ⌂	Appuyer à plusieurs reprises pour faire défiler les options d'effet audio. Cette option est aussi accessible à partir du menu Audio. Pour plus de détails, se reporter à page 74.
34 SELECT	Appuyer pour sélectionner un élément à partir du menu du magnétoscope ou du lecteur DVD.
35 MENU	Appuyer pour afficher le menu Réglage du lecteur DVD.

## Programmation de la télécommande


La télécommande est préréglée pour faire fonctionner des appareils de marque Sony.

Appareil Sony	Changer la position sur la télécommande	Numéro de code programmable
Magnétoscopes Beta, Ed Beta	AV1	303
Magnétoscopes 8mm	AV2	302
Magnétoscopes VHS	AV3	301
Lecteur DVD	DVD	751

Si vous désirez contrôler un appareil vidéo de marque autre que Sony par la télécommande du téléviseur, suivre les étapes ci-dessous pour la programmation de la télécommande.

 **L'appareil doit être en mesure de reconnaître un signal infrarouge (IR) pour qu'il soit utilisé avec la télécommande.**

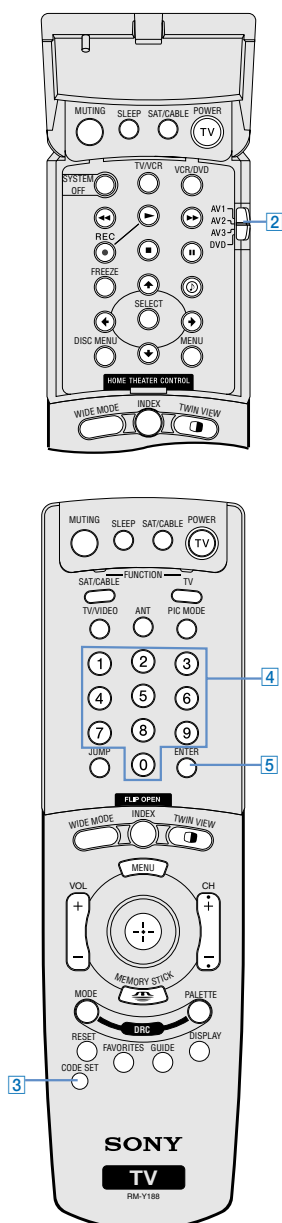
- 1 À partir des « Codes des fabricants » à la page 52, sélectionner le code à trois chiffres correspondant à la marque de l'appareil. (Si la liste comprend plus d'un code, essayer d'abord le premier code.)
- 2 Ouvrir la télécommande et régler l'interrupteur à glissière A/V à 1, 2, 3 ou DVD.
- 3 Appuyer sur **CODE SET**.
- 4 Entrer le code à trois chiffres du fabricant.
- 5 Appuyer sur **ENTER**.

 **L'étape 5 doit être effectuée moins de 10 secondes après l'étape 4. Sinon, il faudra reprendre les étapes 3 à 5.**

- 6 Pour vérifier qu'il s'agit du bon code, pointer la télécommande du téléviseur vers l'appareil et appuyer sur la touche **POWER** qui correspond à cet appareil. Si l'appareil réagit, le code est bon. Sinon, essayer les autres codes indiqués pour ce fabricant.

### Remarques

- ❑ Si plus d'un code est indiqué, les essayer un par un jusqu'à l'obtention du bon code pour votre appareil.
- ❑ Si vous entrez un nouveau code, le code entré précédemment pour ce réglage est effacé.
- ❑ Dans certains cas, il est possible de ne pas pouvoir faire fonctionner l'appareil au moyen de la télécommande fournie. Dans ce cas, utiliser la télécommande de l'appareil en question pour le contrôler.
- ❑ Lorsque les piles sont retirées et remplacées, les codes peuvent revenir aux réglages effectués en usine et doivent être réglés à nouveau.





## Codes des fabricants

## Magnétoscopes

Fabricant	Code
Sony	301, 302, 303
Admiral (M. Ward)	327
Aiwa	338, 344
Audio	314, 337
Dynamic	
Broksonic	319, 317
Canon	309, 308
Citizen	332
Craig	302, 332
Criterion	315
Curtis Mathes	304, 338, 309
Daewoo	341, 312, 309
DBX	314, 336, 337
Dimensia	304
Emerson	319, 320, 316, 317, 318, 341
Fisher	330, 335
Funai	338
General Electric	329, 304, 309
Go Video	322, 339, 340
Goldstar	332
Hitachi	306, 304, 305, 338
Instant Replay	309, 308
JC Penney	309, 305, 304, 330, 314, 336, 337
JVC	314, 336, 337, 345, 346, 347
Kenwood	314, 336, 332, 337
LXI (Sears)	332, 305, 330, 335, 338
Magnavox	308, 309, 310
Marantz	314, 336, 337
Marta	332
Memorex	309, 335
Minolta	305, 304
Mitsubishi/ MGA	323, 324, 325, 326
Multitech	325, 338, 321
NEC	314, 336, 337
Olympic	309, 308
Optimus	327

Fabricant	Code
Orion	317
Panasonic	308, 309, 306, 307
Pentax	305, 304
Philco	308, 309
Philips	308, 309, 310
Pioneer	308
Quasar	308, 309, 306
RCA/ PROSCAN	304, 305, 308, 309, 311, 312, 313, 310, 329
Realistic	309, 330, 328, 335, 324, 338
Sansui	314
Samsung	322, 313, 321
Sanyo	330, 335
Scott	312, 313, 321, 335, 323, 324, 325, 326
Sharp	327, 328
Signature 2000 (M. Ward)	338, 327
SV2000	338
Sylvania	308, 309, 338, 310
Symphonic	338
Tashiro	332
Tatung	314, 336, 337
Teac	314, 336, 338, 337
Technics	309, 308
Toshiba	312, 311
Wards	327, 328, 335, 331, 332
Yamaha	314, 330, 336, 337
Zenith	331

## Lecteurs de disque laser

Fabricant	Code
Sony	701
Panasonic	704, 710
Pioneer	702

## Lecteurs DVD

Fabricant	Code
Sony	751
General Electric	755
Hitachi	758
JVC	756
Magnavox	757
Mitsubishi	761
Oritron	759
Panasonic	753
Philips	757
Pioneer	752
RCA/Proscan	755
Samsung	758
Toshiba	754
Zenith	760

## Décodeurs

Fabricant	Code
Sony	230
Hamlin/Regal	222, 223, 224, 225, 226
Jerrold/G. I.	201, 202, 203, 204, 205, 206, 207, 208, 218
Oak	227, 228, 229
Panasonic	219, 220, 221
Pioneer	214, 215
Scientific	209, 210, 211
Atlanta	
Tocom	216, 217
Zenith	212, 213

## Récepteurs satellite

Fabricant	Code
Sony	801
Dish Network	810
Echostar	810
General Electric	802
Hitachi	805
Hughes	804
Mitsubishi	809
Panasonic	803
RCA/ PROSCAN	802, 808
Toshiba	806, 807

## Utilisation d'autres appareils avec la télécommande du téléviseur

### Tous les appareils

Pour faire ceci ...	Faire cela ...
Permuter l'entrée du téléviseur vers le magnétoscope, le lecteur DVD ou un autre appareil raccordé	Appuyer sur <b>TV/VIDEO</b> à plusieurs reprises pour faire défiler les appareils vidéo qui sont raccordés aux entrées vidéo du téléviseur.
Régler la télécommande du téléviseur pour qu'elle fasse fonctionner un appareil non fabriqué par Sony	Vous devez d'abord programmer la télécommande la première fois que vous l'utilisez. Se reporter à « Programmation de la télécommande » aux pages 51 à 52.

### Fonctionnement d'un magnétoscope

Pour faire ceci ...	Appuyer sur
Activer la télécommande pour qu'elle fasse fonctionner le magnétoscope	Ouvrir le couvercle extérieur, tel qu'indiqué à la page 50. Ensuite, régler l'interrupteur à glissière à la position programmée pour le magnétoscope.
Changer les canaux	<b>CH +/-</b>
Enregistrer	<b>▶</b> et <b>●</b> simultanément
Marche	<b>▶</b>
Arrêt	<b>■</b>
Avance rapide	<b>▶▶</b>
Rebobiner	<b>◀◀</b>
Pause	<b>  </b>
Faire une recherche avant ou arrière de l'image	<b>▶▶</b> ou <b>◀◀</b> pendant la relecture (relâcher pour revenir à la relecture normale)
Modifier le mode d'entrée	<b>TV/VCR</b>

### Fonctionnement d'un récepteur satellite

Pour faire ceci ...	Appuyer sur
Activer la télécommande pour qu'elle fasse fonctionner le récepteur satellite	<b>SAT/CABLE FUNCTION</b>
Allumer/éteindre	<b>SAT/CABLE POWER</b>
Choisir un canal	<b>0-9, ENTER</b>
Changer les canaux	<b>CH +/-</b>
Revenir au canal précédent	<b>JUMP</b>
Afficher le numéro de canal	<b>DISPLAY</b>
Afficher le guide SAT	<b>GUIDE</b>
Afficher le menu SAT	<b>MENU</b>
Déplacer la mise en évidence (curseur)	Mover la manette <b>▲ ▼ ◀ ▶</b>
Effectuer une sélection	<b>⊕</b>

## Fonctionnement d'un décodeur

<i>Pour faire ceci ...</i>	<i>Appuyer sur</i>
Activer la télécommande pour qu'elle fasse fonctionner le décodeur	SAT/CABLE FUNCTION
Allumer/éteindre	SAT/CABLE POWER
Choisir un canal	0-9, ENTER
Changer les canaux	CH +/-
Revenir au canal précédent	JUMP

## Fonctionnement d'un lecteur DVD

<i>Pour faire ceci ...</i>	<i>Appuyer sur</i>
Activer la télécommande pour qu'elle fasse fonctionner le lecteur DVD	Ouvrir le couvercle extérieur, tel qu'indiqué à la page 50. Ensuite, Régler l'interrupteur à glissière à la position programmée pour le lecteur DVD.
Marche	▶
Arrêt	■
Pause	
Accéder à différentes pistes du disque	▶▶ pour aller vers l'avant ou ◀◀ pour aller vers l'arrière
Accéder à différents chapitres d'un disque vidéo	CH+ pour aller vers l'avant ou CH- pour aller vers l'arrière
Afficher le menu Lecteur DVD (réglage)	MENU (panneau intérieur)
Afficher le menu DVD	DISC MENU
Déplacer la mise en évidence (curseur)	↑ ↓ ◀ ▶
Effectuer une sélection	SELECT

## Fonctionnement d'un lecteur de disques laser (MDP)

<i>Pour faire ceci ...</i>	<i>Appuyer sur</i>
Activer la télécommande pour qu'elle fasse fonctionner le lecteur MDP	Ouvrir le couvercle extérieur, tel qu'indiqué à la page 50. Ensuite, régler l'interrupteur à glissière à la position programmée pour le lecteur MDP.
Marche	▶
Arrêt	■
Pause	
Rechercher l'image vers l'avant ou l'arrière	▶▶ ou ◀◀ pendant la relecture (relâcher pour revenir à la relecture normale)
Rechercher un chapitre vers l'avant ou l'arrière	CH +/-


# Utilisation des fonctions

## Aperçu

Ce chapitre décrit l'utilisation des fonctions du téléviseur.

<i>Sujet</i>	<i>Page</i>
Regarder le téléviseur	56
Utilisation de l'index déroulant	57
Utilisation du Mode Cinéma	58
Utilisation du syntoniseur Twin View	59
Utilisation de la fonction Canaux Préférés	62
Utilisation de la fonction d'arrêt	63
Utilisation du visualiseur d'images Memory Stick	64

## Regarder le téléviseur

 Pour obtenir une liste complète des fonctions de la télécommande, se reporter aux pages 47-52.

<i>Pour faire ceci ...</i>	<i>Faire cela ...</i>
Activer la télécommande pour qu'elle fasse fonctionner le téléviseur	Appuyer sur <b>TV FUNCTION</b>
Allumer/éteindre le téléviseur	Appuyer sur <b>TV POWER</b>
Passer directement à un canal	Appuyer sur <b>0-9</b> puis <b>ENTER</b> (ou attendre 3 secondes) ou Appuyer sur <b>CH+/-</b>
Régler le volume	Appuyer sur <b>VOL +/-</b>
Mettre le volume en sourdine	Appuyer sur <b>MUTING</b> (appuyer à nouveau pour remettre le son)
Alterner entre deux canaux	Appuyer sur <b>JUMP</b> Le téléviseur alterne entre le canal actuel et le dernier canal syntonisé.
Afficher le numéro du canal actuel (et d'autres renseignements)	Appuyer sur <b>DISPLAY</b> une fois pour afficher le numéro du canal, l'heure actuelle et l'étiquette du canal (si réglée). Appuyer sur <b>DISPLAY</b> à nouveau pour désactiver l'affichage.
Changer l'entrée du téléviseur vers le magnétoscope, le lecteur DVD ou un autre appareil raccordé	Appuyer sur <b>TV/VIDEO</b> plusieurs fois pour faire défiler les appareils vidéo raccordés aux entrées vidéo du téléviseur.
Modifier les options vidéo et audio, personnaliser le réglage du téléviseur, régler la surveillance parentale et autres	Appuyer sur <b>MENU</b> pour afficher le menu. Pour plus de détails, se reporter à « Utilisation des menus » à la page 71.
Changer l'entrée du téléviseur entre les sources raccordées aux entrées AUX et VHF/UHF du téléviseur	Appuyer sur <b>ANT</b> pour alterner entre les sources raccordées aux entrées AUX et VHF/UHF du téléviseur.

## Utilisation de l'index déroulant

L'index déroulant vous permet de sélectionner des programmes à partir d'un index de défilement d'images vidéo.

### 1 Appuyer sur INDEX.

L'index déroulant apparaît, avec le programme actuellement sélectionné dans la fenêtre principale (gauche) et quatre images vidéo de défilement dans la fenêtre de droite.



Pendant que chaque image qui se trouve du côté droit défile dans la fenêtre de visionnement, elle se transforme brièvement d'une image vidéo stationnaire en une vidéo directe. Le côté droit continu à défiler la liste complète de canaux.

- 2 Pour modifier la direction du défilement, déplacer la manette ▲ ou ▼.
- 3 Pour modifier la vitesse du défilement, déplacer et tenir la manette ▲ ou ▼.
- 4 Pour transformer une image vidéo stationnaire en une image vidéo directe, déplacer la manette ▲ ou ▼ pour choisir l'image puis appuyer sur ⊕.
- 5 Pour déplacer l'image vidéo directe (de l'étape 4) de la fenêtre de droite à la fenêtre principale (gauche) de l'index de défilement, appuyer sur ⊕ à nouveau.

#### Pour quitter la fonction de l'index déroulant


- Appuyez sur INDEX.


### Facteurs affectant l'index déroulant


- La fonction index déroulant ne fonctionne pas si vous utilisez un décodeur pour voir tous les canaux.
- Les sources raccordées aux entrées AUX, VIDEO 5, VIDEO 6 et VIDEO 7 sont affichées dans la fenêtre de gauche, et non pas dans les fenêtres de droite.
- L'index déroulant ne fonctionne pas lorsque le blocage parental est activé (se reporter à la page 80).

## Utilisation du Mode Cinéma

Le Mode Cinéma vous permet de regarder des émissions normales 4:3 selon plusieurs modes grand écran (rapport hauteur/largeur 16:9).

 Lors du visionnement de programmes à haute définition télédiffusés en 720p/1080i, il n'est pas possible de basculer entre les modes grand écran.

 Vous pouvez également accéder aux réglages du Mode Cinéma à partir du menu Écran. Pour plus de détails, se reporter à la page 76.

 Lorsque vous changez des canaux ou des entrées, les réglages du Mode Cinéma reviennent aux réglages du fabricant 4:3 dans le menu Écran. Pour conserver le réglage du mode grand écran pendant le changement de canaux et d'entrées, désactiver l'option 4:3 par défaut (Non). Pour plus de détails, se reporter à la page 77.

- Appuyer sur **WIDE MODE** à plusieurs reprises pour basculer entre les réglages du Mode Cinéma suivants.



Grand zoom

Grand zoom agrandit l'image 4:3, tandis que les parties supérieures et inférieures de l'image sont condensées pour s'ajuster à l'écran 16:9.



Normal

Normal remet l'image 4:3 à sa dimension originale.



Plein écran

Plein écran élargit l'image 4:3 horizontalement seulement, de façon à remplir l'écran 16:9.



Zoom

Zoom agrandit l'image 4:3 horizontalement et verticalement selon un rapport équivalent qui remplit l'écran 16:9. C'est un mode utile pour regarder les films de format letter box.



## Utilisation du syntoniseur Twin View

Le syntoniseur Twin View vous permet de voir deux images de deux sources — d'une antenne, d'un magnétoscope, d'un lecteur DVD, etc. — à l'écran en même temps. Vous n'entendez le son que d'une des sources à la fois, mais vous pouvez sélectionner quelle source sera entendue. Vous pouvez également modifier le format relatif des images.

### Comment afficher des images doubles




1 Syntoniser le téléviseur sur un canal qui fonctionne.

2 Appuyer sur .

Une deuxième image apparaît. L'image active est mise en évidence en bleu.



Pour annuler le syntoniseur Twin View et regarder l'image active

 Appuyer sur  ou .

### Les facteurs qui affectent le syntoniseur Twin View

- ❑ Si vous utilisez un décodeur pour voir tous les canaux, les mêmes canaux apparaissent dans les deux fenêtres du syntoniseur Twin View parce que le décodeur débrouille seulement un canal à la fois.
- ❑ Si vous utilisez un décodeur, vous pouvez voir la sortie du décodeur dans une fenêtre Twin View et un regarder l'image d'une source différente (tel qu'un magnétoscope ou un lecteur DVD) dans la deuxième fenêtre en utilisant la touche **TV/VIDEO**. Pour plus de détails, se reporter à « Raccordement d'appareil en option » à la page 25.
- ❑ Les sources raccordées aux entrées AUX, VIDEO 5, VIDEO 6 et VIDEO 7 sont affichées dans la fenêtre gauche du syntoniseur Twin View, et non pas dans celle de droite.
- ❑ Si vous regardez une source 4:3 et une source 16:9 améliorée (tel qu'un lecteur DVD) côte à côte dans le syntoniseur Twin View, la source 4:3 apparaît plus grande.
- ❑ Le syntonisateur Twin View n'affiche pas les canaux qui sont bloqués par les réglages du menu Parent (se reporter à la page 80).

## Activation de l'image

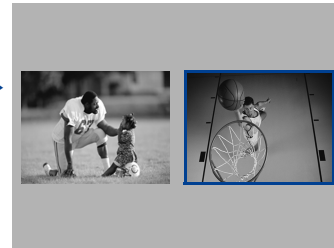
Pour activer l'image dans la fenêtre de droite

- Déplacer la manette ➔.



Pour activer l'image dans la fenêtre de gauche

- Déplacer la manette ←.



### Fonctions disponibles dans la fenêtre active (mise en évidence)

Pour faire ceci ...	Faire cela ...
Sintoniser un canal	Appuyer sur <b>0-9</b> puis sur <b>ENTER</b> (ou attendre 3 secondes) ou Appuyer <b>CH+/-</b>
Régler le volume	Appuyer sur <b>VOL +/-</b>
Mettre le volume en sourdine	Appuyer sur <b>MUTING</b> (appuyer à nouveau pour remettre le son)
Permuter l'entrée du téléviseur entre les sources raccordées aux entrées VHF/UHF et AUX du téléviseur	Appuyer sur <b>ANT</b> (fenêtre gauche seulement)
Permuter l'entrée du téléviseur entre les sources raccordées aux entrées A/V du téléviseur	Appuyer sur <b>TV/VIDEO</b>
Modifier le format de l'image	Déplacer la manette <b>▲</b> ou <b>▼</b> . (Pour plus de détails, se reporter à « Modification du format de l'image » à la page 61.)

## **Modification du format de l'image**

La fonction zoom vous permet de varier le format relatif des images de gauche et de droite.

- 1 Déplacer la manette ◀ ou ▶ pour activer l'image dont vous désirez modifier le format.
- 2 Déplacer la manette ▲ pour agrandir l'image.
- 3 Déplacer la manette ▼ pour réduire l'image.




**Fonctions**

Lorsque vous réglez le format de l'image, le téléviseur mémorise le changement. Lorsque vous utiliserez le syntoniseur Twin View la prochaine fois, les formats mémorisés apparaissent.

## Utilisation de la fonction Canaux Préférés


La fonction Canaux Préférés permet de sélectionner des émissions parmi une liste pouvant atteindre huit canaux préférés que vous avez sélectionnés.

### Pour créer une liste de canaux préférés

 Pour plus de détails sur l'utilisation du menu Canal, se reporter à la page 78.

- 1 Appuyer sur **MENU** pour afficher le menu.
- 2 Déplacer la manette **←** ou **→** pour mettre en évidence l'icône Canal et appuyer sur **⊕**.
- 3 Appuyer sur **⊕** to select **Canaux Préférés**.
- 4 Déplacer la manette **↑** ou **↓** pour mettre en évidence un numéro de canal préféré (1-8) et appuyer sur **⊕**.
- 5 Déplacer la manette **↑** ou **↓** pour mettre en évidence le canal auquel vous désirez assigner le numéro de canal préféré. Un aperçu du canal mis en évidence apparaît dans le coin supérieur droit de l'écran. Appuyer sur **⊕** pour choisir ce canal comme canal préféré.
- 6 Pour ajouter d'autres canaux à votre liste, répéter les étapes 4 et 5. Pour éliminer un canal préféré, déplacer la manette **↑** ou **↓** pour mettre en évidence le canal que vous désirez effacer. Appuyer sur **⊕** puis sur **RESET**.
- 7 Appuyer sur **MENU** pour quitter le menu.

### Pour afficher la liste des canaux préférés

 Pour assigner une étiquette de canal (p.ex. ABC, HBO, MTV, etc.) aux numéros de canal, tel qu'il est indiqué à la droite, utiliser la fonction Légende de canal à partir du menu Canal (se reporter à page 79).

- 1 Appuyer sur **FAVORITES**. La liste de canaux préférés apparaît.



- 2 Déplacer la manette **↑** ou **↓** pour mettre en évidence le canal que vous désirez regarder.  
Un aperçu du canal préféré mis en évidence apparaît.
- 3 Appuyer sur **⊕** pour choisir le canal que vous désirez regarder.

## Utilisation de la fonction d'arrêt

La touche **FREEZE** vous permet de temporairement capter l'image d'une émission. Vous pouvez utiliser cette fonction pour écrire des renseignements, tels que des numéros de téléphone, des recettes, etc.



**La fonction d'arrêt n'est pas disponible lorsque le syntoniseur Twin View est utilisé.**

- 1 Lorsque les renseignements que vous désirez prendre en note sont affichés, appuyer sur **FREEZE**.
- 2 Le téléviseur passe au mode Twin View et affiche l'image « arrêtée » à la droite, pendant que le programme actuel continue à la gauche.

Émission  
actuelle  
en cours

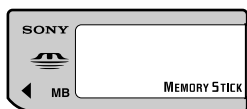


Image  
arrêtée

- 3 Pour annuler et revenir au visionnement normal, appuyer sur **FREEZE** (ou encore, syntoniser un autre canal).

## Utilisation du visualiseur d'images Memory Stick

### Au sujet du support Memory Stick



Le support Memory Stick (vendu séparément) est un nouveau média d'enregistrement à circuit intégré polyvalent, portable et compact muni d'une capacité de données excédant celle d'une disquette. Le support Memory Stick est particulièrement conçu pour échanger et partager des données numériques entre des produits à Memory Stick compatibles, tels que des caméscopes numériques et des caméscopes vidéo numériques. Puisqu'il est amovible, le support Memory Stick peut aussi être utilisé pour l'entreposage de données externes.


 **Vous ne pouvez pas utiliser le support Memory Stick pour enregistrer des données à partir du téléviseur.**

La technologie Memory Stick vous permet de regarder sur l'écran de votre téléviseur des images numériques (jpeg) enregistrées sur le support Memory Stick. Vous pouvez sélectionner parmi un index des images enregistrées sur le Memory Stick ou encore, vous pouvez présenter un diaporama de ces images. Vous pouvez également personnaliser les fonctions du diaporama en sélectionnant la durée pendant laquelle chaque image sera présentée, en basculant l'affichage des renseignements au fichier et en faisant pivoter chaque image.

Pour plus de renseignements sur l'utilisation du support Memory Stick, se reporter à « Remarques sur l'utilisation du support Memory Stick » à la page 89.


### Types d'images supportés

Ce visualiseur Memory Stick du téléviseur ne peut afficher que des images fixes qui ont été enregistrées sur le support Memory Stick par des appareils photo numériques ou des caméscopes de marque Sony.

 **Le visualiseur Memory Stick du téléviseur est compatible aux supports Memory Stick ayant une mémoire pouvant aller jusqu'à 128 MB inclusivement. Il n'est pas compatible aux supports Memory Stick excédant 128 MB.**

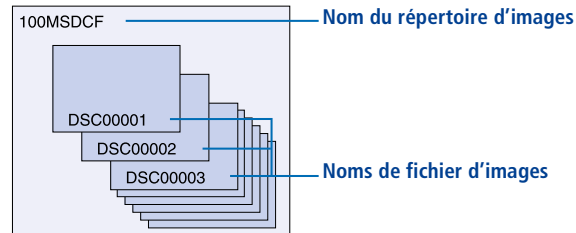
Les images enregistrées doivent aussi respecter les spécifications suivantes :


- Format de compression : JPEG
- Format du nom de fichier : conforme à DCF

 **JPEG signifie « Joint Photographic Experts Group » en anglais, qui représente l'organisation qui a implanté ce format. DCF signifie « Design Rules for Camera Files Systems », qui sont les spécifications établies par le Japan Electronic Industry Development Association (JEIDA).**

### Au sujet des noms de fichier DCF

La plupart des appareils photos et caméscopes de Sony enregistrent automatiquement des images fixes en utilisant un répertoire et des noms de fichier conformes à DCF, tel qu'il est indiqué dans l'exemple suivant :



 **Ne pas renommer les répertoires. Si les noms sont changés, les images fixes ne pourront pas être affichées par votre téléviseur.**

### **Types d'images non supportés**

Ce visualiseur Memory Stick du téléviseur ne peut pas afficher les types d'image suivants :


- ❑ Les images enregistrées par des appareils photos et des caméscopes qui ne sont pas fabriqués par Sony
- ❑ Les images enregistrées en utilisant des produits qui ne sont pas conformes à DCF, y compris les produits Sony suivants :

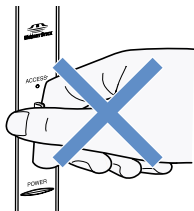
Appareils photos numériques	DSC-D700, DSC-D770
Caméscopes numériques	DCR-TRV900/DSR-PD100A

- ❑ Les images enregistrées dans de support Memory Stick dont la capacité excède 128 MB
- ❑ Les images enregistrées en TIFF ou tout autre format de compression autre que JPEG
- ❑ Les images qui se trouvent des dans répertoires dont le nom a été changé par ordinateur
- ❑ Les images qui possèdent moins de 16 lignes horizontales ou verticales par point
- ❑ Les images qui possèdent plus de 4096 lignes horizontales ou verticales par point
- ❑ Séquences de film



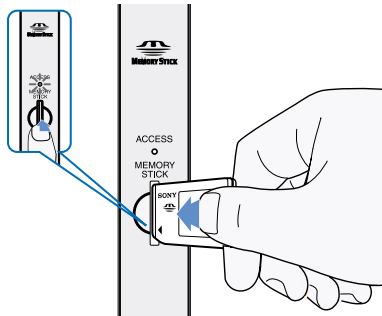
## Insertion et retrait du support Memory Stick


 Pour retirer un support Memory Stick, ne pas tenter de simplement le tirer de sa fente. Suivre les étapes 1-3 (à droite).



### Pour insérer un support Memory Stick

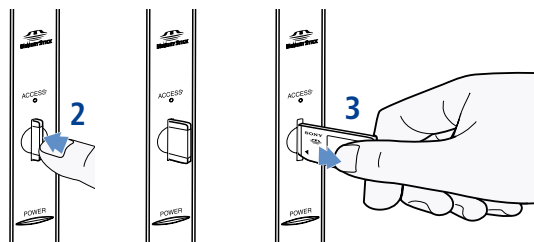
- 1 Repérer la fente Memory Stick (se reporter aux pages 14-15) et insérer le support Memory Stick dans celle-ci comme dans l'illustration ci-dessous. Lorsqu'il est inséré correctement, il doit se glisser sans résistance et s'enclencher en place.




 S'assurer d'insérer le support Memory Stick dans la bonne direction. Si le support est forcé en mauvaise direction, il risque d'être endommagé. Insérer le support Memory Stick dans la fente Memory Stick seulement. Toute tentative d'insérer d'autres objets dans la fente risque d'endommager la télévision.

### Pour retirer un support Memory Stick

- 1 S'assurer que l'indicateur de support Memory Stick est bien éteint. (Lorsque la lumière est allumée, cela signifie que le téléviseur est en train de lire des données provenant du support Memory Stick.)
- 2 Pousser le support Memory Stick doucement dans la fente, puis le relâcher. Le support Memory Stick est éjecté.



- 3 Retirer le support Memory Stick entièrement hors de la fente.

 En vue de protéger les petits enfants contre toute blessure éventuelle, retirer tous les supports Memory Stick de la fente du téléviseur prévue à cet effet et les ranger dans un endroit sûr lorsqu'ils ne sont pas utilisés.

## Affichage du menu du support Memory Stick


- 1 Insérer le support Memory Stick qui contient les images que vous désirez regarder. Pour plus de détails, se reporter à la page 66.
- 2 Appuyer sur la touche **MEMORY STICK** qui se trouve sur la télécommande. Le menu Memory Stick apparaît.




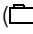
- 3 Pour choisir une option, déplacer la manette **↑** ou **↓** pour mettre en évidence l'option désirée et appuyer sur **⊕**.


Option	Description
Index	Affiche un index d'images miniatures qui se trouvent sur le support Memory Stick. Pour plus de détails, se reporter à « Utilisation de l'index du support Memory Stick » à la page 68.
Diaporama	Affiche des diapositives des images qui se trouvent sur le support Memory Stick. Pour plus de détails, se reporter à « Utilisation du diaporama du support Memory Stick » à la page 69.
Réglage	Vous permet de modifier les options de la présentation du diaporama et de faire pivoter les images. Pour plus de détails, se reporter à « Modification des options de réglage du support Memory Stick » à la page 69.

- 4 Pour quitter le menu Memory Stick, appuyer sur **CH +/-**, **TV/VIDEO**, **ANT**, ou utiliser les touches **0-9** et **ENTER** (ou attendre 3 secondes) pour choisir un canal.


 Les fonctions du support Memory Stick ne sont pas disponibles lorsque les fonctions du syntoniseur Twin View, d'arrêt d'image ou de canaux préférés sont utilisées.


## Utilisation de l'index du support Memory Stick

 Les touches Page et fichier () ne sont disponibles que si le support Memory Stick contient un nombre d'images ou de fichiers plus grand que celui qui peut être affiché sur un écran.

 Des images plus grandes prendront plus de temps à être affichées à l'écran.

L'index du support Memory Stick vous laisse voir les images qui se trouvent sur le support Memory Stick sous forme d'images minuscules.




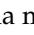
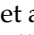
 Il n'y a pas de signal audio lors du visionnement des images qui se trouvent sur le support Memory Stick.

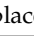
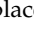
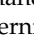
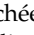

- 1 Insérer le support Memory Stick qui contient les images que vous désirez voir. Pour plus de détails, se reporter à la page 66.
- 2 Appuyer sur la touche **MEMORY STICK** qui se trouve sur la télécommande. Le menu Memory Stick apparaît.
- 3 Déplacer la manette pour mettre en évidence **Index** et appuyer sur . L'index du Memory Stick apparaît.




L'image choisie est mise en évidence en jaune

Renseignements sur l'image choisie

- 4 Déplacer la manette     pour mettre en évidence une image et appuyer sur  pour choisir l'image. La sélection d'une image affiche cette dernière au complet. Lorsqu'une image est affichée en pleine dimension, vous pouvez :

Pour faire ceci ...	Faire cela ...
Afficher l'image précédente	Déplacer la manette  .
Afficher l'image suivante	Déplacer la manette  . Si vous déplacez la manette  tandis que vous regardez la dernière image, la première image est affichée. Si vous déplacez la manette  tandis que vous regardez la première image, la dernière image est affichée.
Afficher l'index du Memory Stick	Appuyer sur  .

- 5 Pour revenir au menu Memory Stick, déplacer la manette vers **Menu** et appuyer sur .

 Si un cadre blanc apparaît au lieu d'une image minuscule, cela signifie que l'image ne supporte pas le visionnement miniature. Cependant, la sélection de l'icône affiche la pleine dimension de l'image à l'écran. Cela peut aussi signifier que les images miniatures et pleine dimension sont corrompues ou non supportées.

## Utilisation du diaporama du support Memory Stick

Le diaporama du support Memory Stick vous permet de regarder un diaporama des images qui se trouvent sur le support.

- 1 Insérer le support Memory Stick qui contient les images que vous désirez regarder. Pour plus de détails, se reporter à la page 66.
- 2 Appuyer sur la touche **MEMORY STICK** qui se trouve sur la télécommande. Le menu Memory Stick apparaît.
- 3 Déplacer la manette pour mettre en évidence **Diaporama** et appuyer sur **⊕**. Le diaporama commence.
- 4 Pour terminer le diaporama, appuyer sur **⊕**. Le menu Memory Stick est affiché.

## Modification des options de réglage du support Memory Stick

- 1 Appuyer sur la touche **MEMORY STICK** qui se trouve sur la télécommande. Le menu Memory Stick apparaît.
- 2 Déplacer la manette pour mettre en évidence **Réglage** et appuyer sur **⊕**. Le menu Réglage du Memory Stick apparaît.



- 3 Déplacer la manette pour mettre en évidence une option et appuyer sur **⊕**.

Option	Description
<b>Menu</b>	Pour revenir au menu Memory Stick.
<b>Diaporama – Intervalle</b>	Augmente ou diminue la durée de temps pendant laquelle chaque diapositive est affichée : 5 secondes, 10 secondes, 1 minute, 5 minutes ou 15 minutes.
<b>Diaporama – Reprise</b>	Choisir <b>Oui</b> pour que le diaporama se répète après avoir affiché toutes les images qui se trouvent sur le support Memory Stick. Choisir <b>Non</b> pour ne pas répéter le diaporama.
<b>Information sur le fichier</b>	Choisir <b>Oui</b> pour afficher les renseignements de fichier sur chaque image pendant que l'image est affichée.
<b>Rotation de l'image</b>	Affiche l'écran Faire pivoter l'image. Pour plus de détails, se reporter à « Utilisation de l'écran Rotation de l'image » à la page 70.

- 4 Déplacer la manette **→** (ou appuyer sur **⊕**) pour modifier les réglages. Déplacer la manette **←** (ou appuyer sur **⊕**) pour choisir le nouveau réglage.
- 5 Pour quitter le menu Réglage du Memory Stick, déplacer la manette vers **Menu↵** et appuyer sur **⊕**.

## Utilisation de l'écran Rotation de l'image

Les touches Page et fichier (📁) ne sont disponibles que si le support Memory Stick contient un nombre d'images ou de fichiers plus grand que celui qui peut être affiché sur un écran.

L'écran Rotation de l'image vous permet de faire pivoter une image à partir de l'index d'images miniatures.

Vous ne pouvez pas faire pivoter les images si l'interrupteur LOCK du support Memory Stick est allumé. Pour faire pivoter les images, placer d'abord l'interrupteur à la position fermée.

- 1 À partir du menu Réglage du Memory Stick, déplacer la manette pour mettre en évidence **Rotation de l'image** et appuyer sur **⊕**. L'écran Rotation de l'image apparaît.









- 2 Déplacer la manette **↑ ↓ ← →** pour mettre en évidence l'image que vous désirez faire pivoter.
- 3 Appuyer sur **⊕** pour faire pivoter une image de 90 degrés en direction horaire.
- 4 Pour revenir au menu Réglage du Memory Stick, déplacer la manette vers **Menu** et appuyer sur **⊕**.


Si un cadre blanc apparaît au lieu d'une image miniature, cela signifie que l'image ne supporte pas le visionnement miniature et ne peut pas être pivotée.

# Utilisation des menus

## Aperçu


Le menu vous donne l'accès aux fonctions suivantes :

Icône de menu	Description	Page
	Vous permet d'effectuer des ajustements aux réglages de 72 l'image. Vous permet aussi de personnaliser le mode image selon le type d'émission que vous regardez, de choisir les options de Vidéo avancé et autres.	
	Offre des options audio améliorées telles que l'écoute 74 d'une deuxième trame sonore (SAP) ou la personnalisation des effets sonores du téléviseur.	
	Vous permet d'effectuer des ajustements au Mode 76 Cinéma et des changements au centre vertical de l'écran.	
	Vous permet d'établir une liste de canaux préférés, 78 d'exécuter la fonction d'auto programmation, de sauter des canaux, de créer des étiquettes et autres.	
	Vous permet de contrôler le visionnement de certaines 80 émissions selon leur classement.	
	Vous offre plusieurs options pour régler votre système, y compris la sélection des modes de sous-titre codé, le réglage de la minuterie, l'étiquetage des entrées vidéo, la sélection de la langue des menus affichés à l'écran et autres.	83

 Appuyer sur **MENU** pour accéder et quitter les menus.

## Navigation des menus

Pour faire ceci ...	Appuyer sur
Afficher le menu	<b>MENU</b>
Faire défiler les menus	← →
Se déplacer à travers les options de menus	↑ ↓
Choisir une option à modifier	⊕
Modifier les réglages d'une option	↑ ↓ ← →
Choisir (confirmer) une modification de réglage	⊕ ou ←
Quitter le menu	<b>MENU</b>

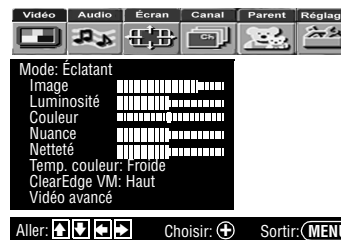
 Les menus comprennent un texte d'aide à la navigation qui apparaît au bas de chaque menu.



## Utilisation du menu Vidéo

Pour choisir le menu Vidéo

- 1 Appuyer sur **MENU**.
- 2 Déplacer la manette **←** ou **→** pour aller à l'icône Vidéo et appuyer sur **⊕**.
- 3 Déplacer la manette pour mettre en évidence une option. Appuyer sur **⊕** pour choisir l'option.
- 4 Déplacer la manette **↑** **↓** **←** **→** pour modifier les réglages. Appuyer sur **⊕** pour choisir le changement.
- 5 Appuyer sur **MENU** pour quitter l'écran du menu.



Pour réinitialiser les réglages par défaut vidéo (à l'exception de l'option Vidéo avancé) du mode (Éclatant, Standard, etc.) le téléviseur est réglé à :

- Appuyer sur **RESET** de la télécommande lorsque le menu Vidéo est affiché.


### Sélection des options vidéo


Pour passer d'un mode à l'autre, utiliser la touche **PIC MODE** de la télécommande.


Vous pouvez modifier les réglages du menu Vidéo (**Image**, **Luminosité**, **Couleur**, etc.) pour chaque mode.


Le menu Vidéo comprend les options suivantes :

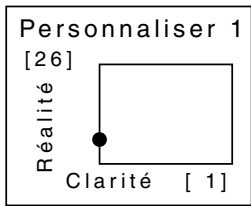
Option	Description
<b>Mode</b>	<b>Éclatant</b> Choisir pour améliorer le contraste et la précision de l'image.
<i>Mode image personnalisée</i>	<b>Standard</b> Choisir pour les réglages standard de l'image.
	<b>Film</b> Choisir pour afficher une image plus douce.
	<b>Pro</b> Choisir pour afficher une image avec un minimum d'améliorations.
<b>Image</b>	Ajuster pour augmenter le contraste de l'image et foncer la couleur ou diminuer le contraste et adoucir la couleur.
<b>Luminosité</b>	Régler pour assombrir ou éclaircir l'image.
<b>Couleur</b>	Régler pour augmenter ou diminuer l'intensité de la couleur.
<b>Nuance</b>	Régler pour augmenter ou diminuer les tons de vert.
<b>Netteté</b>	Régler pour rendre l'image plus nette ou plus douce.
<b>Temp. couleur</b>	<b>Froide</b> Choisir pour donner au blanc une teinte bleue.
<i>Réglage de l'intensité du blanc</i>	<b>Neutre</b> Choisir pour donner au blanc une teinte neutre.
	<b>Chaude</b> Choisir pour donner au blanc une teinte rouge (Standard-NTSC).
<b>ClearEdge VM</b>	Rend la définition de l'image plus nette et donne aux objets un contour précis et net. Choisir parmi <b>Haut</b> , <b>Moyen</b> , <b>Bas</b> , <b>Non</b> .
<i>Modulation de vitesse</i>	

 Pour passer rapidement du mode DRC à un autre mode, utiliser la touche **DRC MODE** de la télécommande.

 Les options **Vidéo avancé** ne sont pas disponibles (enrayées) lors du visionnement de sources 480p, 720p et 1080i.

 Pour passer rapidement d'une palette DRC à une autre, utiliser la touche **DRC PALETTE** de la télécommande.

 Pour obtenir de meilleurs résultats, régler la Réalité en déplaçant la manette **▲ ▼** jusqu'à ce que vous soyez satisfait du niveau de détails. Ensuite, régler la Clarté en déplaçant la manette **◀ ▶** jusqu'à l'obtention d'une image unie.

Option	Description
<b>Vidéo avancé</b>	Choisir <b>Programmer</b> pour sélectionner les options <b>DRC Mode</b> et <b>DRC Palette</b> pendant le visionnement de sources NTSC.
<b>DRC Mode</b>	Crée une image à haute résolution avec quadruple intensité pour des sources de haute qualité (c.-à-d. lecteur DVD, récepteur satellite).
<b>Entrelacé</b>	Recommandé pour les projections animées.
<b>Progressif</b>	Recommandé pour les images fixes et le texte.
<b>CineMotion</b>	Offre un affichage optimal en détectant automatiquement le contenu du film et en appliquant un processus d'entraînement arrière 3/2. Les projections animées apparaîtront plus clairement et de façon plus naturelle.
<b>DRC Palette</b>	<p>Vous permet de personnaliser le niveau de détail (réalité) et de régularité (clarté) pour trois sources d'entrée ou moins. Par exemple, vous pouvez créer un réglage personnalisé pour optimiser l'image du câble d'entrée et créer un autre réglage pour optimiser l'image de votre lecteur DVD. Vous pouvez basculer entre les trois réglages personnalisés au moyen de la touche <b>DRC PALETTE</b> située sur la télécommande.</p> <ol style="list-style-type: none"><li>1 Déplacer la manette pour aller à <b>Palette 1</b>, <b>Palette 2</b> ou <b>Palette 3</b> puis appuyer sur <b>⊕</b>. La DRC Palette apparaît.</li></ol> <div data-bbox="933 1171 1182 1375" data-label="Image"></div> <ol style="list-style-type: none"><li>2 Déplacer la manette pour régler la position du marqueur (●). Tandis que vous déplacez le ● vers le haut le long de l'axe de réalité, l'image devient plus détaillée. Si vous déplacez le ● vers la droite le long de l'axe de clarté, l'image devient plus régulière.</li><li>3 Pour sauvegarder le réglage, appuyer sur <b>⊕</b>.</li></ol> <p>Pour remettre les options de personnalisation aux réglages par défaut, appuyer sur la touche <b>RESET</b>.</p>





## Utilisation du menu Audio

Pour choisir le menu Audio



- 1 Appuyer sur **MENU**.
- 2 Déplacer la manette ← ou → pour aller à l'icône Audio et appuyer sur ⊕.
- 3 Déplacer la manette pour mettre en évidence une option. Appuyer sur ⊕ pour choisir l'option.
- 4 Déplacer la manette ↑ ↓ ← → pour modifier les réglages. Appuyer sur ⊕ pour choisir le changement.
- 5 Appuyer sur **MENU** pour quitter l'écran du menu.



Pour réinitialiser aux réglages initiaux du fabricant pour les options **Aigu**, **Grave** et **Balance**

- ❑ Appuyer sur la touche **RESET** de la télécommande lorsque le menu Audio est affiché.

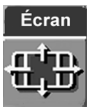
## Sélection des options audio

 Pour passer rapidement d'un effet à un autre, utiliser la touche  qui se trouve sur le panneau intérieur de la télécommande.

Le menu Audio comprend les options suivantes :

Option	Description
<b>Aigu</b>	Régler pour augmenter ou diminuer le niveau des sons aigus.
<b>Grave</b>	Régler pour augmenter ou diminuer le niveau des sons graves.
<b>Balance</b>	Régler pour accentuer l'équilibre du haut-parleur de droite ou de gauche.
<b>Volume auto</b>	<b>Auto</b> Choisir pour stabiliser le volume.
	<b>Non</b> Choisir pour éteindre la fonction volume auto.
<b>Effet</b>	<b>TruSurround</b> Choisir pour un son d'ambiance (pour les programmes stéréophoniques seulement).
	<b>Simulé</b> Ajoute un effet stéréophonique aux émissions mono.
	<b>Non</b> Réception stéréo ou mono normale.
<b>MTS</b> <i>Profitez de programmes en stéréo, bilingues et mono</i>	<b>Stéréo</b> Sélectionner pour la réception stéréo lors du visionnement d'un programme diffusé en stéréo.
	<b>Auto SAP</b> Choisir pour que le téléviseur passe automatiquement à la seconde trame sonore s'il reçoit le signal. (En l'absence de signal SAP, le téléviseur reste en mode stéréo.)
	<b>Mono</b> Choisir pour une réception mono. (Utiliser cette fonction pour réduire le bruit lorsque le signal de télédiffusion stéréo est faible.)

<i>Option</i>	<i>Description</i>	
<b>Haut-parleur</b>	<b>Oui</b>	Choisir pour activer les haut-parleurs du téléviseur.
	<b>Non</b>	Choisir pour désactiver les haut-parleurs du téléviseur. La trame sonore du téléviseur provient alors des haut-parleurs du système audio externe.
<b>Sortie audio</b> <i>Contrôle aisé des réglages du volume</i>	Pour régler cette option, l'option <b>Haut-parleur</b> doit être mise à <b>Non</b> .	
	<b>Variable</b>	Les haut-parleurs du téléviseur sont éteints mais le volume provenant de votre chaîne stéréophonique peut être contrôlé par la télécommande du téléviseur.
	<b>Fixe</b>	Les haut-parleurs du téléviseur sont éteints et le volume provenant du téléviseur reste fixe. Utiliser la télécommande du récepteur audio pour ajuster le volume à partir du système audio.




## Utilisation du menu Écran


### Pour choisir le menu Écran

- 1 Appuyer sur MENU.
- 2 Déplacer la manette ◀ ou ▶ pour aller à l'icône Écran et appuyer sur ⊕.
- 3 Déplacer la manette ▲ ou ▼ pour mettre en évidence une option. Appuyer sur ⊕ pour choisir l'option.
- 4 Déplacer la manette ◀ ▶ ▲ ▼ pour modifier les réglages. Appuyer sur ⊕ pour choisir le changement.
- 5 Appuyer sur MENU pour quitter l'écran du menu.



### Sélection mode des options écran


 Pour passer d'un Mode Cinéma à un autre, utiliser la touche **WIDE MODE** qui se trouve sur la télécommande.


 Pour les Modes Grand Zoom et Zoom, vous pouvez régler la position verticale de l'image. Pour plus de détails, se reporter à la page 77.




Le menu Écran comprend les options suivantes :

Option	Description
<b>Mode Cinéma</b> <i>Sélectionner un Mode Cinéma pour l'utiliser avec les sources 4:3</i>	<b>Grand Zoom</b> Choisir pour agrandir le format de l'image 4:3, tandis que les parties supérieures et inférieures de l'image sont condensées pour s'ajuster à la largeur de l'écran.
	<b>Normal</b> Choisir pour remettre l'image 4:3 au mode normal.
	<b>Plein écran</b> Choisir pour agrandir l'image 4:3 horizontalement seulement, pour remplir l'écran large.
	<b>Zoom</b> Choisir pour agrandir l'image 4:3 horizontalement et verticalement selon un rapport égal qui remplit l'écran large.

Le Mode Cinéma n'est pas disponible avec le syntonisateur Twin View ou encore lors du visionnement de sources HD (1080i, 720p).

 **Dans certains cas, les émissions à grand écran seront diffusées selon des rapports hauteur/largeur qui exigent l'affichage de bandes noires dans le haut et le bas de votre écran 16:9. Pour plus de détails, se reporter à la page 92.**

 Si le mode 4:3 par défaut n'est pas réglé à Non, le réglage du Mode Cinéma ne change seulement que pour le canal courant. Lorsque vous changez de canal (ou d'entrées), le Mode Cinéma est automatiquement remplacé par le réglage 4:3 par défaut. Pour conserver le réglage courant du Mode Cinéma tandis que les canaux et les entrées sont changés, régler le mode 4:3 par défaut à Non.

Option	Description
<b>4:3/défaut</b> <i>Sélectionner le mode d'écran par défaut pour utiliser les sources 4:3</i>	<b>Grand Zoom</b> Choisir pour agrandir le format de l'image 4:3, tandis que les parties supérieures et inférieures de l'image sont condensées pour s'ajuster à la largeur de l'écran.
	<b>Normal</b> Choisir pour remettre l'image 4:3 au mode normal.
	<b>Plein écran</b> Choisir pour agrandir l'image 4:3 horizontalement seulement, pour remplir l'écran large.
	<b>Zoom</b> Choisir pour agrandir l'image 4:3 horizontalement et verticalement selon un rapport égal qui remplit l'écran large.
	<b>Non</b> Choisir pour continuer à utiliser le Mode Cinéma actuel lorsque le canal ou l'entrée est changé.
<b>Centrage vertical</b>	Le centre vous permet de déplacer la position de l'image vers le haut et le bas de la fenêtre. (Disponible seulement dans les modes Grand zoom et zoom.) Déplacer la manette  ou  et appuyer sur  pour choisir une correction entre +15 et -15 (Zoom) et +10 et -10 (Grand Zoom).



## Utilisation du menu Canal

### Pour choisir le menu Canal


- 1 Appuyer sur **MENU**.
- 2 Déplacer la manette **←** ou **→** pour aller à l'icône Canal et appuyer sur **⊕**.
- 3 Déplacer la manette pour mettre une option en évidence. Appuyer sur **⊕** pour choisir une option.
- 4 Déplacer la manette **↑** **↓** **←** **→** pour modifier les réglages. Appuyer sur **⊕** pour choisir l'option souhaité.
- 5 Appuyer sur **MENU** pour quitter l'écran du menu.





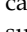


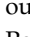




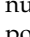

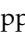

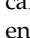
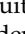

### Sélection des options du canal

Le menu Canal comprend les options suivantes :

Option	Description
Canaux préférés	Vous permet de créer une liste de vos canaux préférés. Pour plus de détails, se reporter à « Utilisation de la fonction Canaux Préférés » à la page 62.
Câble	Oui Choisir si la réception des canaux câblés est faite à l'aide d'un câble CATV.
	Non Choisir si une antenne est utilisée.
<b>Après une modification des réglages de l'option câble, lancer la fonction Auto programmation.</b>	
Canal Fixe <i>Cette option est très utile si un décodeur ou un récepteur satellite sont raccordés</i>	Non Permet d'éteindre la fonction canal fixe.
	2-6 « Fixer » le réglage des canaux du téléviseur à 2-6 et utiliser le décodeur ou le récepteur satellite pour changer les canaux. Choisir un de ces réglages si vous avez raccordés l'appareil à la prise VHF/UHF.
	AUX 2-6 Faire comme pour les canaux 2-6, mais choisir un de ces réglages si un appareil est raccordé à la prise AUX (voir la page 17).
Vidéo 1	Utiliser ce réglage si un appareil est raccordé aux prises d'entrée audio et vidéo.
Auto Programmation	Programme automatiquement le téléviseur pour recevoir tous les canaux recevables.

 Les canaux qui sont réglés de façon à être omis ne peuvent être accédé que par les touches 0-9.

 Légende de canal n'est pas disponible (enrayée) lors du visionnement de sources 480p, 720p et 1080i.

Option	Description
Saut/Ajout canal	<p>Permet de personnaliser la liste de canaux qui apparaît lorsque vous utilisez les touches CH+/-.</p> <ol style="list-style-type: none"><li>1 Déplacer la manette  ou  pour faire défiler les canaux jusqu'au canal à sauter ou à ajouter. Appuyer sur  pour choisir.</li><li>2 Déplacer la manette  ou  pour basculer entre Ajout ou Saut. Then appuyer sur  pour choisir.</li><li>3 Pour ajouter ou sauter d'autres canaux, répéter les étapes 1 et 2.</li><li>4 Déplacer la manette  pour revenir au menu Canal ou appuyer sur MENU pour quitter l'écran des menus.</li></ol>
Légende de canal	<p>Permet d'assigner une légende (telles que les lettres d'identification des canaux) aux numéros de canaux. Vous pouvez identifier jusqu'à 20 canaux.</p> <ol style="list-style-type: none"><li>1 Déplacer la manette pour choisir Canal et appuyer sur .</li><li>2 Déplacer la manette   pour faire défiler les numéros de canaux (1-125). Appuyer ensuite sur  pour choisir le numéro de canal auquel vous désirez assigner une légende.</li><li>3 Déplacer la manette pour mettre Légende en évidence et appuyer sur .</li><li>4 Déplacer la manette   pour faire défiler les caractères de la légende (A-Z, 0-9, etc.). Appuyer ensuite sur  pour choisir le caractère mis en évidence.</li><li>5 Répéter pour ajouter jusqu'à 5 caractères à la légende.</li><li>6 Pour assigner des légendes à d'autres canaux, répéter les étapes 1 à 4.</li><li>7 Déplacer la manette  pour revenir au menu Canal ou appuyer sur MENU pour quitter l'écran des menus.</li></ol>



## Utilisation du menu Parent

Le menu Parent permet de régler le téléviseur afin de bloquer des émissions selon leur contenu ou leur classement.

### Pour choisir le menu Parent

- 1 Appuyer sur **MENU**.
- 2 Déplacer la manette **←** ou **→** pour aller à l'icône Parent et appuyer sur **⊕**.
- 3 Utiliser les touches **0-9** de la télécommande pour entrer un mot de passe à quatre chiffres.
- 4 Si le mot de passe est créé pour la première fois, confirmer le mot de passe en le tapant à nouveau. (Les options du menu Parent apparaissent.)
- 5 Déplacer la manette **↑ ↓ ← →** pour passer en revue les différents réglages. Appuyer sur **⊕** pour choisir un réglage.
- 6 Appuyer sur **MENU** pour quitter l'écran du menu.



**Ce mot de passe sera nécessaire pour accéder au menu Parent. En cas d'oubli du mot de passe, se reporter à « Mot de passe oublié » à la page 94.**

## Sélection des options du parent


Si le système de classement à l'intention des parents ne vous est pas familier, il est recommandé d'utiliser les catégories prédéfinies **Enfant**, **Jeune** ou **Adolescent** afin de simplifier la sélection. Pour un réglage plus restrictif, choisir classement **Spécifique**.


Pour obtenir des descriptions des catégories **Enfant**, **Jeune** ou **Adolescent** se reporter à la page 81.


Le menu Parent comprend les options suivantes :

Option	Description
<b>Blocage parental</b>	<b>Non</b> Le blocage est éteint. Aucune émission n'est bloquée.
<i>Permet d'allumer ou d'éteindre le système et de choisir un système de classement</i>	<b>Enfant</b> Classement maximal permis : <input type="checkbox"/> É.-U. : TV-Y, TV-G, G <input type="checkbox"/> Canada : C, G, TV-Y
	<b>Jeune</b> Classement maximal permis : <input type="checkbox"/> É.-U. : TV-PG, PG <input type="checkbox"/> Canada : C8 et plus, PG, 8 ans et plus, TV-PG
	<b>Adolescent</b> Classement maximal permis : <input type="checkbox"/> É.-U. : TV-14, PG-13 <input type="checkbox"/> Canada : 14 et plus, 13 ans et plus, TV-14
	<b>Spécifique (personnalisé)</b> Réglage manuel du classement. <input type="checkbox"/> É.-U. : se reporter à la page 81 pour plus de détails. <input type="checkbox"/> Canada : se reporter à la page 82 pour plus de détails.
<b>Changer le mot de passe</b>	Pour changer le mot de passe.
<b>Pays</b>	<b>U.S.A.</b> Utilisation du classement américain (se reporter à page 81). <b>Canada</b> Utilisation du classement canadien (se reporter à la page 82).

## Modèle américain : sélection des options de Classement spécifique

 Les classements selon le contenu sont reliés au niveau de classement selon l'âge. Par exemple, une émission ayant une classification selon l'âge de TV-PG V (violence) peut contenir certaines scènes violentes, tandis qu'un classement TV-14 V (violence) peut contenir plus de violence.

 Pour assurer un blocage maximal, choisir les classements selon l'âge.

 Si vous bloquez des émissions non classées, soyez avisé que les types d'émissions suivantes peuvent être bloquées : diffusion d'urgence, émissions politiques, sports, nouvelles, communiqués d'intérêt public, émissions religieuses et la météo.

## Visionnement d'émissions bloquées

Pour les modèles américains, le menu Classement spécifique comprend les options suivantes. (Pour les modèles canadiens, se reporter à la page 82.)

Option	Description	
Classement des films	G	Tous les enfants et tout public.
	PG	Surveillance parentale conseillée.
	PG-13	Surveillance parentale conseillée pour les enfants de moins de 13 ans.
	R	Pour adultes seulement, surveillance parentale pour les enfants de moins de 17 ans.
	NC-17 et X	Interdit aux moins de 17 ans.
Classement de télé	<b>Classements selon l'âge</b>	
<i>Les émissions selon leur classement, leur contenu ou les deux</i>	TV-Y	Tous les enfants.
	TV-Y7	Pour les enfants âgés de 7 ans et plus.
	TV-G	Tout public.
	TV-PG	Surveillance parentale conseillée.
	TV-14	Avertissement fait aux parents.
TV-MA	Pour adultes seulement.	
	<b>Classements selon le contenu</b>	
	FV	Fiction violence.
	D	Dialogue suggestif.
	L	Langage grossier.
	S	Scènes sexuelles.
	V	Violence.
Non-classée	Bloquer	Bloque toutes les émissions ou tous les films diffusés sans classement.
<i>Blocage des émissions ou des films diffusés sans classement</i>	Permettre	Permet les émissions et les films diffusés sans classement.

Il est possible de visionner une émission bloquée en utilisant le mot de passe. Appuyer sur la touche **ENTER** lorsque l'émission diffusée est bloquée, puis taper le mot de passe. Cela désactivera temporairement la fonction Blocage parental. Pour réactiver les réglages du Blocage parental, éteindre le téléviseur. Lorsque le téléviseur sera rallumé, les réglages de la fonction Blocage parental seront réactivés.



---

### **Modèles canadiens : sélection des options de Classement spécifique**

Pour les modèles canadiens, le menu Classement spécifique comprend les options suivantes. (Pour les modèles américains, se reporter à la page 81.)

<i>Option</i>	<i>Description</i>	
Classement anglais	C	Tous les enfants.
	C8+	Enfants de 8 ans et plus.
	G	Tout public (général).
	PG	Surveillance parentale.
	14+	Pour les plus de 14 ans.
	18+	Pour adultes.
Classement français	G	Tout public (général).
	8 ans+	Ne convient pas aux jeunes enfants.
	13 ans+	Ne convient pas aux enfants de moins de 13 ans.
	16 ans+	Ne convient pas aux enfants de moins de 16 ans.
18 ans+	Pour adultes seulement.	
Classement U.S.A.	Pour plus de détails, se reporter à « Modèles américains » à la page 81.	

---

### **Visionnement d'émissions bloquées**

Il est possible de visionner une émission bloquée en utilisant le mot de passe. Appuyer sur la touche **ENTER** lorsque l'émission diffusée est bloquée, puis taper le mot de passe. Cela désactivera temporairement la fonction Blocage parental. Pour réactiver les réglages du Blocage parental, éteindre le téléviseur. Lorsque le téléviseur sera rallumé, les réglages de la fonction Blocage parental seront réactivés.




## Utilisation du menu Réglage

### Pour choisir le menu Réglage

- 1 Appuyer sur **MENU**.
- 2 Déplacer la manette ◀ ou ▶ pour aller à l'icône réglage et appuyer sur ⊕.
- 3 Déplacer la manette pour passer en revue les différentes options. Appuyer sur ⊕ pour choisir une option.
- 4 Déplacer la manette ▲ ▼ ◀ ▶ pour modifier les réglages. Appuyer sur ⊕ pour choisir l'option souhaitée.
- 5 Appuyer sur **MENU** pour quitter l'écran du menu.






 Pour se déplacer à l'intérieur du menu vers le menu principal d'icônes, déplacer la manette ◀.

















### Sélection des options de réglage


Le menu Réglage comprend les options suivantes :


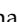
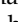
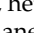
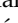

Option	Description
Caption Vision	Choix parmi trois modes de sous-titrage (pour les émissions diffusées avec sous-titres).
CC1, CC2, CC3, CC4	Affiche une version écrite du dialogue ou des effets sonores d'une émission. (Régler à CC1 pour la plupart des émissions.)
Text1, Text2, Text3, Text4	Identification du réseau ou de la station affichée sur la moitié ou la totalité de l'écran (si offert). Régler à CC1 pour l'affichage des sous-titres.
Info	Affiche le nom de l'émission et le temps de diffusion qui reste (si le télédiffuseur offre ce service). Apparaît lorsque le canal est changé ou lorsque la touche <b>DISPLAY</b> est déprimée.
Non	Désactive l'option CaptionVision (sous-titrage).

 L'étiquette **Sauter** est utile si aucun appareil n'est raccordé à cet ensemble de prises d'entrée.

 Pour aller directement à la programmation de la Minuterie 1 ou 2, appuyer sur  au lieu de déplacer la manette ➔.

Option	Description							
Étiquette vidéo	<p>Cette fonction permet d'identifier les appareils audio/vidéo raccordés au téléviseur, tels que magnétoscope, lecteur DVD, etc. Par exemple, si un lecteur DVD est raccordé à la prise VIDEO 5, vous pouvez choisir l'étiquette <b>DVD</b> pour l'entrée VIDEO 5. Ensuite, lorsque vous appuyez sur <b>TV/VIDEO</b> pour changer les entrées, l'étiquette vidéo assignée à cette entrée apparaît à l'écran.</p> <ol style="list-style-type: none"> <li>Déplacer la manette  ou  pour mettre en évidence l'entrée vidéo (VIDEO 1-7) à laquelle vous désirez assigner une étiquette. Appuyer sur  pour choisir.</li> <li>Déplacer la manette  ou  pour mettre en évidence une des étiquettes affichées. Appuyer sur  pour choisir l'étiquette.</li> </ol> <p>Vous pouvez choisir parmi les étiquettes suivantes pour chaque entrée :</p> <table border="1"> <tr> <td>Video 1/2/3/4</td> <td>VHS, DVD, Récepteur, Satellite, Décodeur, 8mm, DTV, Jeu, LD, Web, Beta, Sauter</td> </tr> <tr> <td>Video 5/6/7</td> <td>DVD, Satellite, Décodeur, DTV, HD, Sauter</td> </tr> </table> <p> <b>En choisissant Sauter, le téléviseur saute cette entrée lorsque la touche TV/VIDEO est déprimée.</b></p>	Video 1/2/3/4	VHS, DVD, Récepteur, Satellite, Décodeur, 8mm, DTV, Jeu, LD, Web, Beta, Sauter	Video 5/6/7	DVD, Satellite, Décodeur, DTV, HD, Sauter			
Video 1/2/3/4	VHS, DVD, Récepteur, Satellite, Décodeur, 8mm, DTV, Jeu, LD, Web, Beta, Sauter							
Video 5/6/7	DVD, Satellite, Décodeur, DTV, HD, Sauter							
Langue	Choisir pour afficher tous les écrans des menus dans la langue de votre choix.							
Horloge/Minuteries	<p>Choisir pour régler l'horloge et programmer la télévision à s'allumer et s'éteindre à deux moments de visionnement précis.</p> <table border="1"> <tr> <td>Minuterie 1</td> <td rowspan="2">Vous pouvez utiliser la minuterie pour programmer le téléviseur à s'allumer ou s'éteindre à un canal précis à deux moments différents.</td> </tr> <tr> <td>Minuterie 2</td> </tr> </table> <p><b>Minuterie 1 et Minuterie 2</b> ne peuvent pas être réglés si <b>Heure</b> n'est pas réglée.</p> <ol style="list-style-type: none"> <li>Déplacer la manette  ou  pour mettre en évidence <b>Minuterie 1</b> ou <b>Minuterie 2</b>. Pour régler l'heure, déplacer la manette ➔.</li> <li>Déplacer la manette  ou  pour mettre en évidence une des options suivantes, puis appuyer sur . <table border="1"> <tr> <td><b>Programmer</b></td> <td>Choisir pour régler la minuterie selon le jour, l'heure, la durée et le canal.</td> </tr> <tr> <td><b>Non</b></td> <td>Choisir pour éteindre la minuterie. (Vos réglages précédents sont sauvegardés.)</td> </tr> </table> </li> <li>Si vous avez sélectionné <b>Programmer</b> à l'étape 2, déplacer la manette  et  pour régler le(s) jour(s), l'heure, les minutes, la durée et le numéro de canal. Appuyer sur  ou déplacer la manette ➔ pour confirmer chaque réglage et passer au réglage suivant. Déplacer la manette  pour retourner au réglage précédent.</li> <li>Appuyer sur <b>MENU</b> pour quitter l'écran du menu. Un DEL situé sur le panneau avant s'allumera, indiquant que la minuterie a été réglée.</li> </ol>	Minuterie 1	Vous pouvez utiliser la minuterie pour programmer le téléviseur à s'allumer ou s'éteindre à un canal précis à deux moments différents.	Minuterie 2	<b>Programmer</b>	Choisir pour régler la minuterie selon le jour, l'heure, la durée et le canal.	<b>Non</b>	Choisir pour éteindre la minuterie. (Vos réglages précédents sont sauvegardés.)
Minuterie 1	Vous pouvez utiliser la minuterie pour programmer le téléviseur à s'allumer ou s'éteindre à un canal précis à deux moments différents.							
Minuterie 2								
<b>Programmer</b>	Choisir pour régler la minuterie selon le jour, l'heure, la durée et le canal.							
<b>Non</b>	Choisir pour éteindre la minuterie. (Vos réglages précédents sont sauvegardés.)							

 Vous pouvez également accéder au foyer éclair en appuyant sur la touche **FLASH FOCUS** située sur le panneau avant du téléviseur. Pour plus de détails, se reporter aux pages 14 et 15.

<i>Option</i>	<i>Description</i>
Horloge/Minuteries (suite)	<b>Heure</b> <b>1</b> Appuyer sur  pour sélectionner <b>Heure</b> . <b>2</b> Déplacer la manette  ou  pour régler l'heure actuelle (jour, heure et minutes). Appuyer sur  (ou déplacer la manette  ) pour confirmer chaque réglage et passer au réglage suivant. Déplacer la manette  pour revenir au réglage précédent. <b>3</b> Appuyer sur <b>MENU</b> pour quitter l'écran du menu.
Flash Focus	Vous permet de régler la convergence automatiquement. Pour plus de détails, se reporter à la page 44.
Convergence	Vous permet d'affiner la convergence manuellement. Pour plus de détails, se reporter à la page 45.
Demo	Exécute une démonstration des menus à l'écran.



# Informations en sus

## Aperçu

Ce chapitre présente les sujets suivants :

<i>Sujet</i>	<i>Page</i>
Glossaire	88
Remarques sur l'utilisation du support Memory Stick	89
Comment communiquer avec Sony	90
Guide de dépannage	90
Spécifications	95
Accessoires en option	96
Index	97

## Glossaire

### composante vidéo



La composante vidéo est transmise par trois câbles : deux signaux de teinte (chrominance) et un signal de luminosité (luminance). La composante vidéo atteint une meilleure précision de couleur que la composite vidéo ou S VIDEO en séparant la chrominance en deux portions séparées.

### composite vidéo



La composite vidéo est transmise par un seul câble. La composite vidéo combine les informations de teinte (chrominance) et de luminosité (luminance) en un seul signal vidéo.

### National Television System Committee (NTSC)

Une unité faisant partie de la Federal Communications Commission à Washington dans le D.C. qui établit les normes de télévision aux États-Unis, telles que la couleur NTSC, la norme utilisée dans ce téléviseur.

### rapport hauteur/largeur

Fait allusion au rapport entre la largeur et la hauteur de l'écran. Ce téléviseur possède un rapport 16:9 des grands écrans, contrairement au rapport 4:3.

#### rapport 4:3



#### rapport 16:9



### RF

Fréquence radio. Cette partie du spectre de fréquence dans laquelle il est possible de radier (transmettre) des ondes magnétiques.

### S VIDEO



S VIDEO exige un seul câble, qui transporte les signaux de luminosité (luminance) et de couleur (chrominance) de l'image séparément. S VIDEO offre une meilleure résolution que la composite vidéo, qui transporte les signaux ensemble.

### signal analogique

Une méthode de signalisation qui utilise des changements continus dans l'amplitude ou la fréquence d'une transmission électronique pour acheminer de l'information.

### téléviseur numérique (DTV)

Une nouvelle technologie pour transmettre et capter les signaux de télédiffusion. DTV offre une résolution plus claire et améliore la qualité du son par rapport aux téléviseurs analogiques.

### VHF/UHF

VHF (Very High Frequency/Très haute fréquence) représente la partie du spectre radio située entre 30 et 300 mégahertz. UHF (Ultra High Frequency/Ultra haute fréquence) représente la partie du spectre radio située entre 300 et 3000 mégahertz.

### 480i

Offre 480 lignes de résolution. Affiche les images à l'aide d'un balayage entrelacé, qui transmet d'abord toutes les lignes impaires de l'écran du téléviseur puis les lignes paires.

### 480p

Offre 480 lignes de résolution. Affiche les images à l'aide d'un balayage progressif, qui transmet chaque ligne du haut vers le bas.

### 720p

Offre 720 lignes de résolution. Affiche les images à l'aide d'un balayage progressif, qui transmet chaque ligne du haut vers le bas.

### 1080i

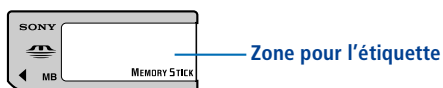
Offre 1080 lignes de résolution. Affiche les images à l'aide d'un balayage entrelacé, qui transmet d'abord toutes les lignes impaires de l'écran du téléviseur puis les lignes paires. 1080i est un des formats utilisés par HDTV (High Definition TV/Télévision numérique).

## Remarques sur l'utilisation du support Memory Stick

### Précautions relatives au support Memory Stick

Lors de l'utilisation du support Memory Stick, veuillez prendre les précautions suivantes :

- ❑ Afin d'éviter d'endommager de façon permanente les données d'images fixes, ne pas éteindre le téléviseur ni retirer le support Memory Stick de sa fente pendant la lecture des données (tel qu'indiqué par le témoin lumineux Memory Stick).
- ❑ Éviter de toucher la borne du support Memory Stick ou de mettre cette dernière en contact avec des objets métalliques.
- ❑ Ne pas échapper, plier ou soumettre le support Memory Stick à un choc externe.
- ❑ Ne pas démonter ou modifier le support Memory Stick.
- ❑ Éviter de renverser des liquides sur le support Memory Stick.
- ❑ Appliquer les étiquettes à l'intérieur des limites désignées à cet effet.



- ❑ Pour éviter d'endommager de façon permanente les données d'images fixes, ne pas utiliser le support Memory Stick dans des endroits pouvant exposer le support :
  - ❑ à des températures élevées (telles que près d'un appareil de chauffage ou à l'intérieur d'une voiture chaude);
  - ❑ à un taux d'humidité élevée;
  - ❑ aux rayons du soleil;
  - ❑ à des substances corrosives;
  - ❑ à des champs magnétiques;
  - ❑ à de la poussière excessive;
  - ❑ à de l'électricité statique ou des bruits électriques.
- ❑ Ranger et transporter le support Memory Stick dans son étui original pour assurer la protection des données.
- ❑ Conserver une sauvegarde de secours des données enregistrées.



## Comment communiquer avec Sony

Si, après avoir lu ces directives d'utilisation, vous avez d'autres questions concernant l'utilisation de votre téléviseur Sony, veuillez communiquer avec nos services d'informations à la clientèle en composant le 1 (416) 499-SONY (7669) (résidents du Canada seulement) ou le 1 800 222-SONY (7669) (résidents des États-Unis seulement).

## Guide de dépannage

Si vous avez des problèmes avec votre télévision, vous pouvez réinitialiser tous les réglages de la télévision aux réglages du fabricant, de la façon suivante.



**Avertissement : La procédure suivante restaure tous les réglages personnalisés, les listes de canaux, etc., aux réglages du fabricant.**

- 1 Allumer le téléviseur.
- 2 Tenir enfoncée la touche **RESET** qui se trouve sur la télécommande.
- 3 Appuyer sur la touche **POWER** qui se trouve sur le panneau avant du téléviseur.
- 4 Relâcher la touche **RESET** qui se trouve sur la télécommande.

### Twin View

Problème	Solutions possibles
Je ne réussis pas à faire fonctionner le syntoniseur Twin View	<ul style="list-style-type: none"><li><input type="checkbox"/> Si vous utilisez un décodeur pour débrouiller les canaux (tel qu'il est montré à la page 24), vous ne pouvez pas utiliser la fonction Twin View parce que le décodeur ne peut débrouiller qu'un seul canal à la fois. Cependant, si vous n'avez besoin du décodeur que pour débrouiller certains canaux (habituellement la télévision payante), vous pouvez utiliser le syntoniseur Twin View pour débrouiller les canaux si vous êtes raccordé à un câble et à un décodeur, tel qu'il est montré à la page 22.</li><li><input type="checkbox"/> Vous pouvez utiliser le syntoniseur Twin View pour syntoniser un signal provenant d'une source différente qui est raccordée aux prises A/V du téléviseur (tel qu'un magnétoscope ou un lecteur DVD) dans la deuxième fenêtre en appuyant sur la touche <b>TV/VIDEO</b> à partir de la fonction du syntoniseur Twin View.</li><li><input type="checkbox"/> Les sources raccordées aux entrées AUX, VIDEO 5, VIDEO 6 et VIDEO 7 sont affichées dans la fenêtre de gauche du syntoniseur Twin View, et pas dans celle de droite.</li></ul>
Il n'y a pas de fenêtre du syntoniseur Twin View, ou il n'y a que de la statique	<ul style="list-style-type: none"><li><input type="checkbox"/> S'assurer que la fenêtre du syntoniseur Twin View est réglée sur une entrée vidéo ou sur un canal qui diffuse un signal.</li><li><input type="checkbox"/> Il est possible que vous soyez syntonisé sur une prise d'entrée vidéo sur laquelle aucun appareil n'est raccordé. Essayez de faire défiler les entrées vidéo en appuyant sur la touche <b>TV/VIDEO</b>.</li><li><input type="checkbox"/> Si vous avez raccordé un appareil sur la prise AUX du téléviseur, il sera affiché dans la fenêtre de gauche du syntoniseur Twin View, et pas dans celle de droite.</li></ul>
Le syntoniseur Twin View n'affiche rien d'autre que les canaux du téléviseur	<ul style="list-style-type: none"><li><input type="checkbox"/> Essayez de faire défiler les entrées vidéo en appuyant sur la touche <b>TV/VIDEO</b>. S'assurer que l'option <b>Étiquette vidéo</b> ne soit pas réglée à <b>Sauter</b>. (Se reporter au menu Réglage à la page 84.)</li></ul>
Le syntoniseur Twin View affiche la même émission dans les deux fenêtres	<ul style="list-style-type: none"><li><input type="checkbox"/> Les deux fenêtres du syntoniseur Twin View sont peut-être réglées au même canal. Tentez de changer le canal dans l'une des fenêtres.</li></ul>

## Télécommande

Problème	Solutions possibles
La télécommande ne fonctionne pas	<ul style="list-style-type: none"><li>❑ Les piles sont peut-être faibles. Remplacer les piles.</li><li>❑ Vérifier l'orientation des piles dans le boîtier.</li><li>❑ Appuyer sur la touche <b>TV FUNCTION</b>. Il est possible que la touche <b>SAT/CABLE FUNCTION</b> ait été déprimée par erreur, ce qui modifie le mode de la télécommande à <b>SAT</b> ou <b>CABLE</b>.</li><li>❑ S'assurer que le cordon d'alimentation du téléviseur est bien raccordé à la prise de courant murale.</li><li>❑ Placer le téléviseur à une distance d'au moins 0,9 à 1,2 mètre des lampes fluorescentes.</li></ul>
Il n'est pas possible de changer les canaux avec la télécommande	<ul style="list-style-type: none"><li>❑ Pour utiliser le téléviseur pour changer les canaux, appuyer d'abord sur la touche <b>TV FUNCTION</b>.</li><li>❑ Pour utiliser un autre appareil pour changer les canaux, s'assurer de ne pas avoir changé par mégarde le réglage au canal 3 ou 4. Utiliser la fonction <b>Canal Fixe</b> pour « fixer » le canal selon le raccordement utilisé (se reporter à la page 78).</li><li>❑ Pour utiliser un autre appareil pour changer les canaux, s'assurer d'appuyer sur la touche <b>FUNCTION</b> de cet appareil. Par exemple, pour utiliser un décodeur pour changer les canaux, s'assurer d'appuyer sur la touche <b>SAT/CABLE FUNCTION</b>.</li></ul>
La télécommande ne fait pas fonctionner les appareils vidéo non fabriqués par Sony	<ul style="list-style-type: none"><li>❑ Si les piles de la télécommande ont été remplacées récemment, les numéros de code pour l'appareil vidéo ont probablement besoin d'être réglés à nouveau.</li><li>❑ Il peut y avoir plus d'un code pour l'appareil que vous tentez de faire fonctionner.</li><li>❑ Il est possible que certains appareils non fabriqués par Sony ne puissent pas être activés par votre télécommande Sony. Utiliser alors la télécommande originale de cet appareil.</li></ul>

## Memory Stick

Problème	Solutions possibles
L'image n'est pas affichée	<ul style="list-style-type: none"><li>❑ S'assurer que l'image est supportée par le téléviseur (se reporter aux pages 64-65).</li><li>❑ S'assurer que le support Memory Stick est inséré correctement (se reporter à la page 66).</li><li>❑ Les fonctions Memory Stick ne sont pas disponibles lors de l'utilisation du syntoniseur Twin View, de la fonction d'arrêt ou de la fonction canaux préférés.</li></ul>
Des carrés blancs apparaissent au lieu des images miniatures	<ul style="list-style-type: none"><li>❑ Cela signifie que l'image ne supporte pas le visionnement miniature. Cependant, la sélection de l'icône permet d'afficher l'image au complet à l'écran. Cela peut aussi indiquer que les images miniatures et complètes sont altérées ou non supportées.</li></ul>
Il n'est pas possible de faire pivoter l'image, aucune image miniature n'apparaît	<ul style="list-style-type: none"><li>❑ S'assurer que l'interrupteur <b>LOCK</b> du Memory Stick est éteint.</li><li>❑ Si un carré blanc apparaît au lieu d'une image miniature, cela signifie que l'image ne supporte pas le visionnement miniature et qu'elle ne peut pas être pivotée.</li></ul>
Il n'est pas possible d'entendre le son lors de l'utilisation du support Memory Stick	<ul style="list-style-type: none"><li>❑ Il n'y a pas de son lors de l'utilisation du support Memory Stick.</li></ul>
Le nom de fichier de l'image n'apparaît pas; des tirets (---) apparaissent à sa place	<ul style="list-style-type: none"><li>❑ Des tirets apparaissent au lieu du nom de fichier si l'image a été enregistrée au moyen d'un appareil non conforme à la norme DCF. Des tirets apparaissent également si le nom du fichier conforme à la norme DCF a été modifié.</li></ul>

## Vidéo

Problème	Solutions possibles
Aucune image (écran éteint), aucun son	<ul style="list-style-type: none"><li>❑ Si le téléviseur ne s'allume pas et que le voyant lumineux rouge continu à clignoter, le téléviseur pourrait avoir besoin d'entretien. Communiquer avec le centre de service Sony le plus près.</li><li>❑ S'assurer que le cordon d'alimentation est bien branché.</li><li>❑ Appuyer sur la touche <b>POWER</b> située sur le devant du téléviseur.</li><li>❑ Appuyer sur la touche <b>TV/VIDEO</b> pour faire défiler les sources vidéo raccordées.</li><li>❑ Essayer un autre canal, le problème provient peut-être de la station émettrice.</li></ul>
Image foncée, faible ou absente (écran allumé), son correct	<ul style="list-style-type: none"><li>❑ Faire les réglages <b>Image</b> dans le menu Vidéo (se reporter à la page 72).</li><li>❑ Faire les réglages <b>Luminosité</b> dans le menu Vidéo (se reporter à la page 72).</li><li>❑ Vérifier les raccordements de l'antenne ou du câble.</li></ul>
Aucune couleur	<ul style="list-style-type: none"><li>❑ Faire les réglages <b>Couleur</b> dans le menu Vidéo (se reporter à la page 72).</li></ul>
Écran brouillé et bruyant	<ul style="list-style-type: none"><li>❑ Vérifier les raccordements de l'antenne ou du câble.</li><li>❑ Essayer un autre canal; la station éprouve peut-être des difficultés.</li><li>❑ Appuyer sur <b>ANT</b> changer le mode d'entrée (se reporter à la page 48).</li></ul>
Lignes pointillées ou des barres	<ul style="list-style-type: none"><li>❑ Régler l'antenne.</li><li>❑ Éloigner le téléviseur des sources de bruits tels les voitures, les enseignes au néon ou les sèche-cheveux.</li></ul>
Images doubles ou fantômes	<ul style="list-style-type: none"><li>❑ Une antenne directionnelle extérieure ou le raccordement au câble pourrait résoudre ce problème.</li></ul>
Il y a une boîte noire à l'écran	<ul style="list-style-type: none"><li>❑ Une option de texte a été sélectionnée dans le menu Réglage et aucun texte n'est offert. (Se reporter à la page 83 pour réinitialiser la sélection des réglages.) Pour désactiver cette fonction, choisir <b>Non</b> dans l'option <b>Caption Vision</b>. Pour obtenir les sous-titres, choisir l'option <b>CC1</b> au lieu de <b>Text 1-4</b>.</li></ul>
Des bandes noires apparaissent dans le haut et le bas de l'écran	<ul style="list-style-type: none"><li>❑ Certaines émissions à grand écran sont filmées selon des rapports hauteur/largeur supérieurs à 16:9 (c'est le cas, en particulier, des longs métrages de cinéma). Votre télévision affichera ces émissions avec des bandes noires dans le haut et le bas de l'écran. Pour plus de détails, vérifier la documentation offerte avec votre lecteur DVD (ou communiquer avec votre fournisseur de programmes).</li></ul>
Certains programmes sur DVD ou d'autres sources numériques affichent une perte de détails, particulièrement lors de scènes sombres ou accélérées	<ul style="list-style-type: none"><li>❑ La compression utilisée par certaines émissions numériques et DVD peut entraîner l'écran de télévision à afficher moins de détails que d'habitude ou causer l'apparition d'artefacts (des petits blocs ou points, pixellations) à l'écran. Cela est causé par le grand écran de votre télévision et sa capacité à afficher de menus détails et il s'agit d'une réaction normale pour certains programmes enregistrés numériquement. Régler la réalité/clarté à partir du menu palette DRC (se reporter à la page 73) pour optimiser l'image pendant le visionnement de ces sources.</li></ul>

## Audio

Problème	Solutions possibles
Image correcte, aucun son	<ul style="list-style-type: none"><li>❑ Appuyer sur <b>MUTING</b> pour faire disparaître le mot <b>Muting</b> de l'écran (se reporter à la page 48).</li><li>❑ S'assurer que la fonction <b>Haut-parleur</b> du menu Audio est en position <b>Oui</b> (se reporter à la page 75).</li></ul>
Trop faible augmentation de volume lorsqu'il y a raccordement avec un décodeur	<ul style="list-style-type: none"><li>❑ Augmenter le volume du décodeur à l'aide de la télécommande du décodeur. Puis appuyer sur <b>TV FUNCTION</b> et régler le volume du téléviseur.</li></ul>
Le son semble faible ou insuffisant	<ul style="list-style-type: none"><li>❑ L'audio du téléviseur peut être réglé à <b>Auto SAP</b> ou <b>Mono</b>, alors qu'il serait préférable de le régler à <b>Stéréo</b>. À partir du menu Audio (se reporter à la page 74), placer le réglage <b>MTS</b> à <b>Stereo</b>. Si le réglage se trouve déjà à <b>Stéréo</b>, passer au mode <b>Mono</b> (ce qui peut réduire les bruits de fond lors des télédiffusions stéréo faibles).</li></ul>
Impossible de monter le volume des haut-parleurs extérieurs	<ul style="list-style-type: none"><li>❑ Si l'option <b>Haut-parleur</b> est réglée à <b>Non</b> et que l'option <b>Sortie audio</b> réglée à <b>Fixe</b> (en vue de transmettre le son par votre chaîne stéréophonique) utiliser votre récepteur audio pour régler le son (se reporter à la page 74). Ou encore, pour utiliser la télécommande du téléviseur, régler l'option <b>Sortie audio</b> à <b>Variable</b>.</li><li>❑ Pour allumer les haut-parleurs, régler l'option <b>Haut-paleur</b> à <b>Oui</b> (se reporter à page 74).</li></ul>

## Canaux

Problème	Solutions possibles
Aucune réception de canaux supérieurs (UHF) lorsque l'antenne est utilisée	<ul style="list-style-type: none"><li>❑ Mettre la fonction <b>Câble</b> en position <b>Non</b> (se reporter à la page 78).</li><li>❑ Utiliser la fonction <b>Auto programmation</b> du menu Canal pour ajouter des canaux qui ne sont pas inscrits dans la mémoire du téléviseur (se reporter à page 78).</li></ul>
Le téléviseur est fixé sur un canal	<ul style="list-style-type: none"><li>❑ Utiliser la fonction <b>Auto programmation</b> du menu Canal pour ajouter des canaux qui ne sont pas inscrits dans la mémoire du téléviseur (se reporter à page 78).</li><li>❑ Vérifier les réglages de Canal fixe (se reporter à la page 78).</li></ul>
Aucun canal reçu avec le câble	<ul style="list-style-type: none"><li>❑ Utiliser la fonction <b>Auto programmation</b> du menu Canal pour ajouter des canaux qui ne sont pas inscrits dans la mémoire du téléviseur (se reporter à la page 78).</li><li>❑ S'assurer que la fonction <b>Câble</b> du menu Canal est en position <b>Oui</b> (se reporter à la page 78).</li></ul>
Impossible de recevoir ou de choisir des canaux	<ul style="list-style-type: none"><li>❑ Utiliser la fonction <b>Auto programmation</b> du menu Canal pour ajouter des canaux qui ne sont pas inscrits dans la mémoire du téléviseur (se reporter à la page 78).</li></ul>

## Général

Problème	Solutions possibles
Réinitialiser le téléviseur aux réglages du fabricant	<ul style="list-style-type: none"><li>□ Allumer le téléviseur. Tout en maintenant la touche <b>RESET</b> de la télécommande, appuyer sur la touche <b>POWER</b> du téléviseur. (Le téléviseur s'éteindra puis se rallumera de lui-même.) Relâcher la touche <b>RESET</b>.</li></ul>
Réinitialiser les réglages vidéo aux réglages du fabricant	<ul style="list-style-type: none"><li>□ Appuyer sur la touche <b>RESET</b> de la télécommande à partir du menu Vidéo (se reporter à la page 72).</li></ul>
Réinitialiser les réglages audio aux réglages du fabricant	<ul style="list-style-type: none"><li>□ Appuyer sur la touche <b>RESET</b> de la télécommande à partir du menu Audio (se reporter à la page 74).</li></ul>
Impossible de passer en revue les autres appareils vidéo raccordés au téléviseur	<ul style="list-style-type: none"><li>□ Vérifier que la fonction <b>Étiquette vidéo</b> n'est pas en position <b>Sauter</b> (se reporter à page 84).</li></ul>
Impossible de faire fonctionner le menu	<ul style="list-style-type: none"><li>□ Si une option de menu apparaît en gris, cela signifie que le téléviseur se trouve dans un état dans lequel l'option de menu n'est pas disponible.</li></ul>
Mot de passe oublié	<ul style="list-style-type: none"><li>□ Dans l'écran du mot de passe (se reporter à la page 80), entrer le passe-partout suivant : <b>4357</b>. Le passe-partout efface le mot de passe précédent, il ne peut pas être utilisé pour un déblocage temporaire des canaux.</li></ul>
Le DEL qui se trouve sur le panneau avant est allumé	<ul style="list-style-type: none"><li>□ Le <b>STAND BY LED</b> (se reporter à la page 14 et 15) clignote lorsque le téléviseur est allumé, puis s'éteint lorsque l'image est affichée. Si le DEL clignote de façon continue, cela peut indiquer que le téléviseur a besoin d'entretien.</li><li>□ Le <b>TIMER LED</b> (se reporter à la page 14 et 15) indique que la minuterie est réglée. Lorsque la minuterie est réglée, ce DEL demeure allumé même lorsque le téléviseur est éteint.</li></ul>

## Spécifications

Système de projection	Système en ligne horizontal à trois tubes-images et trois lentilles	
Tube image	Tubes monochromes à haute luminosité de 17,8 cm (7 po) (format de canevas de 16 cm), avec couplage optique et un système de refroidissement liquide	
Lentilles de projection	Lentille hybride F1.1 à grand diamètre et à haute performance	
Antenne	75 ohms terminal extérieur pour VHF/UHF	
Système de télévision	Standard américain de télévision NTSC	
Plage de canaux	VHF	2-13
	UHF	14-69
	CATV	1-125
Alimentation requise	120 V, 60 Hz	
Nombre d'entrées/ sorties		
DVI-HDTV	1 borne, 3,3 volts T.M.D.S., 50 ohms La borne d'entrée DVI-HDTV est conforme à la norme EIA-861 et n'est pas conçue pour être utilisée avec des ordinateurs personnels.	
Vidéo (IN)	4 au total (1 sur le panneau avant)	1 Vp-p, 75 ohms non balancés, sync. négative
S Vidéo (IN)	3 au total (1 sur le panneau avant)	Y : 1 Vp-p, 75 ohms non balancés, sync. négative C : 0,286 Vp-p (signal par salve), 75 ohms
Audio (IN)	7 total (1 sur le panneau avant)	500 mVrms (modulation à 100 %) Impédance : 47 kilohm
Entrée de composante vidéo	2 (Y, P <sub>B</sub> , P <sub>R</sub> )	Y : 1.0 Vp-p, 75 ohms non balancés, sync. négative; P <sub>B</sub> : 0.7 Vp-p, 75 ohms P <sub>R</sub> : 0.7 Vp-p, 75 ohms
CONTROL S (IN/OUT)	1	
Audio variable/fixe (OUT)	1	Plus de 408 mVrms au réglage maximum du volume (variable) Plus de 408 mVrms (fixe) Impédance (sortie) : 2 kilohms
Accessoires fournis	Télécommande	RM-Y188
	Piles AA (R6)	2, fournies pour la télécommande
Taille de l'écran (mesuré en diagonale)	KP-57WV600/700	57 po
	KP-65WV600/700	65 po
Puissance du haut-parleur	20W x 2	
Taille (L x H x P)	KP-57WV700	1361 x 1394 x 689 mm (53 <sup>5</sup> / <sub>8</sub> x 54 <sup>15</sup> / <sub>16</sub> x 27 <sup>1</sup> / <sub>8</sub> po)
	KP-65WV700	1542 x 1516 x 735 mm (60 <sup>3</sup> / <sub>4</sub> x 59 <sup>3</sup> / <sub>4</sub> x 28 <sup>15</sup> / <sub>16</sub> po)
Poids	KP-57WV700	98 Kg (216 lb)
	KP-65WV700	134 Kg (295 lb)
Consommation	En fonctionnement	295 W
	En veille	Moins d'un watt

Les spécifications peuvent être modifiées sans préavis.

## ***Accessoires en option***

- ❑ Câble A/V (VMC-810/820/830 HG)
- ❑ Câble audio (RKC-515HG)
- ❑ Câble de composante vidéo (VMC-10/30 HG)
- ❑ Câble de Control S (RK-G69HG)
- ❑ Support Memory Stick : 8 MB (MSA-8A); 16 MB (MSA-16A); 32 MB (MSA-32A); 64 MB (MSA-64A); 128 MB (MSA-128A)

# Index

0-9, touches 49, 56

## A

activation/désactivation de la télévision 14, 15  
aigu, réglage 74  
allumer/éteindre la télévision 14, 15  
allumer le téléviseur 14, 15  
ANT, touche 48, 56  
antenne, raccordement 19  
arrêt, touche 50  
Arrêt, utilisation 63  
audio bilingue 74  
audio fixe, réglage 75  
Audio, menu 71, 74  
Audio, sortie 75  
audio variable, réglage 75  
Auto SAP, MTS, réglage 74  
Autoprogrammation (réglage des canaux) 43, 78  
AUX, prise, description 17  
avance rapide, touche 50

## B

blocage d'émissions. *Se reporter aux classements.*  
blocage parental, description 10  
bruit stable. *Se reporter à Steady Sound.*

## C

Canal, menu 71, 78  
canaux  
    création d'étiquettes 79  
    réglage 43  
Canaux préférés  
    effacer 62  
    dans le menu Canal 78  
    utilisation 62  
Caption Vision 83  
CATV. *Se reporter à câble.*  
centre vertical, réglage 77  
CH, touches 14, 15, 49, 56  
chaude, température de la couleur 72  
classements, réglage 80–82

classements, visionnement d'émissions  
    bloquées 81, 82  
ClearEdge VM 10, 72  
CineMotion 10, 48, 73  
CODE SET, touche 49  
contraste de l'image, réglage 72  
CONTROL S 42  
CONTROL S, prises d'entrée et de sortie,  
    description 17  
Convergence, réglage automatique 44  
Convergence, réglage manuel 45  
couleur, réglage 72  
création de réalité numérique (Digital Reality  
    Creation) 9  
câble  
    raccordement 19  
    réglage allumé/éteint 78  
    avec magnétoscope, raccordement 26

## D

Demo (démonstration), menus 85  
diaporama 69  
DISC MENU, touche 50, 54  
DISPLAY, touche 49, 56  
DRC. *Se reporter à création de réalité numérique.*  
DRC MODE, touche 48  
DRC PALETTE, touche 49  
DVI. *Se reporter à l'interface visuelle numérique.*  
DVI-HDTV 17, 95  
décodeur  
    questions au sujet du syntoniseur Twin View 59  
    raccordement avec un magnétoscope 28  
    utilisation avec la télécommande du téléviseur 54  
dépannage 90–94

## E

effacer, canaux préférés 62  
effet, touche 50  
enregistrement, touches 50  
ENTER, touche 49, 56  
entrelacé 9, 48, 73, 88



éclatant, mode 72  
éliminer, canaux préférés 62  
équilibre, réglage 74  
éteindre le téléviseur 14, 15

## F

faire pivoter l'image, support Memory Stick 70  
FAVORITES, touche 49  
film, mode 72  
Flash Focus (foyer éclair) 44  
fonctions 9  
FREEZE, touche 50, 63  
Froide, température de la couleur 72

## G

grand écran, description 9  
Grand zoom, mode, réglage 76  
grave, réglage 74  
GUIDE, touche 49

## H

haut-parleurs  
allumer/éteindre 75  
utilisation de haut-parleurs externes 75  
HD Detailer 10  
HD/DVD IN (1080i/720p/480p/480i), prises  
d'entrée, description 17

## I

index déroulant, utilisation 57  
INDEX, touche 48, 57  
interface visuelle numérique (Digital Visual  
Interface (DVI) 10, 17  
interrupteur à glissière AV1-3/DVD 50

## J

JUMP, touche 48, 56

## L

Langue, réglage 84  
lecteur DVD  
utilisation avec la télécommande du téléviseur 54  
utilisation avec connecteurs A/V, raccordement 38  
Legende du canal (étiquette)  
canaux 79  
LOCK, interrupteur, support Memory Stick 70  
luminosité, réglage 72

## M

magnétoscope  
utilisation avec la télécommande de la  
télévision 53  
avec décodeur, raccordement 28  
avec câble, raccordement 26  
avec récepteur satellite, raccordement 34  
manette 48  
Marche, touche 50  
MDP, utilisation avec la télécommande du  
téléviseur 54  
Memory Stick  
diaporama 69  
dépannage 91  
faire pivoter l'image 70  
fente d'insertion 14, 15  
images supportées et non supportées 64, 65  
Index 68  
insertion 66  
menu 67  
options de réglage 69  
précautions 89  
témoin (DEL) 14, 15  
utilisation 64–70  
Memory Stick, touche 49  
MENU, touche 48, 50, 56, 71  
Menus  
Audio 71, 74  
Canal 71, 78  
Écran 71, 76  
Parent 71, 80  
Réglage 83  
Vidéo 71, 72, 76  
minuterie 84  
minuteries, réglage 84  
Mode Cinéma 76  
mode DRC 73  
Mode normal, réglage 76  
Mode Plain écran, réglage 76  
mode zoom, réglage 76  
modes de sous-titrage 71, 83  
modifier la taille de l'image, avec Twin View 61  
Mono, réglage MTS 74  
mot de passe, changer 80  
MTS 74  
MUTING, touche 48, 56

## N

netteté, réglage 72  
neutre, température de la couleur 72  
nuance, réglage 72

## P

Palette DRC 73  
Parent, menu 71, 80  
Pause, touche 50  
PIC MODE, touche 49  
Picture in Picture. *Se reporter au syntoniseur Twin View.*  
piles, insertion dans la télécommande 47  
POWER, touche 14, 15  
préréglage des canaux 78  
Pro mode (vidéo) 72  
problèmes, dépannage 90–94  
progressif 9, 48, 73, 88

## R

rapport hauteur/largeur 16:9 58  
rapport hauteur/largeur 4:3 58  
Rebobinage, touche 50  
RESET, touche 49  
récepteur audio, raccordement 41  
récepteur satellite, utilisation avec la télécommande du téléviseur 53  
réglage des canaux 43  
Réglage, menu 83  
réglages par défaut 4:3 77  
réinitialisation  
options audio 74

## S

S VIDEO, prise, description 13, 17  
SAT/CABLE FUNCTION, touche 48  
SAT/CABLE POWER, touche 49  
sauter/ajouter un canal 79  
SELECT, touche 50  
simulé, effet 74  
SLEEP, touche 48  
spécifications 95  
standard, mode 72  
Steady Sound (Volume auto), description 10  
stéréo, réglage MTS 74  
son d'ambiance 74  
syntoniseur Twin View  
description 10

utilisation 59–61

SYSTEM OFF, touche 50

## T

taille, image du syntoniseur Twin View 61  
télécommande  
insertion des piles 47  
programmation 51–52  
témoins STAND BY 14, 15, 94  
témoin TIMER 14, 15, 94  
touches de transport 50  
transporter la télévision 12  
TruSurround 74  
TruSurround, effet 74  
TV FUNCTION, touche 48, 56  
TV POWER, touche 49, 56  
TV/VCR, touche 50  
TV/VIDEO, touche 48, 56  
Twin View, touche 49

## U

Uniform Brightness Screen (écran uniformité de brillance) 10

## V

VCR/DVD, touche 50  
VHF/UHF, prise, description 17  
VIDEO (L/R)/AUDIO, prise, description 17  
Vidéo avancé 73  
Vidéo, menu 71, 72  
Vidéo, modes, sélection 72  
VOL, touches 14, 15, 48, 56  
Volume auto (Steady Sound), réglage 74

## W

WIDE MODE, touche 48

## Z

zoom, fonction, avec Twin View 61

<http://www.world.sony.com/>

Sony Corporation

Printed in U.S.A.

# PRINTING THE SERVICE MANUAL

The PDF of this service manual is not designed to be printed from cover to cover. The pages vary in size, and must therefore be printed in sections based on page dimensions.

## NON-SCHEMATIC PAGES

Data that does NOT INCLUDE schematic diagrams are formatted to 8.5 x 11 inches and can be printed on standard letter-size and/or A4-sized paper.

## SCHEMATIC DIAGRAMS

The schematic diagram pages are provided in two ways, full size and tiled. The full-sized schematic diagrams are formatted on paper sizes between 8.5" x 11" and 18" x 30" depending upon each individual diagram size. Those diagrams that are LARGER than 11" x 17" in full-size mode have been tiled for your convenience and can be printed on standard 11" x 17" (tabloid-size) paper, and reassembled.

### TO PRINT FULL SIZE SCHEMATIC DIAGRAMS

---

If you have access to a large paper plotter or printer capable of outputting the full-sized diagrams, output as follows:

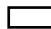
- 1) Note the page size(s) of the schematics you want to output as indicated in the middle window at the bottom of the viewing screen.
- 2) Go to the File menu and select Print Set-up. Choose the printer name and driver for your large format printer. Confirm that the printer settings are set to output the indicated page size or larger.
- 3) Close the Print Set Up screen and return to the File menu. Select "Print..." Input the page number of the schematic(s) you want to print in the print range window. Choose OK.

### TO PRINT TILED VERSION OF SCHEMATICS

---

Schematic pages that are larger than 11" x 17" full-size are provided in a 11" x 17" printable tiled format near the end of the document. These can be printed to tabloid-sized paper and assembled to full-size for easy viewing.



If you have access to a printer capable of outputting the tabloid size (11" x 17") paper, then output the tiled version of the diagram as follows:

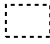
- 1) Note the page number(s) of the schematics you want to output as indicated in the middle window at the bottom of the viewing screen.
- 2) Go to the File menu and select Print Set-up. Choose the printer name and driver for your printer. Confirm that the plotter settings are set to output 11" x 17", or tabloid size paper in landscape (  ) mode.
- 3) Close the Print Set Up screen and return to the File menu. Select "Print..." Input the page number of the schematic(s) you want to print in the print range window. Choose OK.

### TO PRINT SPECIFIC SECTIONS OF A SCHEMATIC

---

To print just a particular section of a PDF, rather than a full page, access the Graphics Select tool in the Acrobat Reader tool bar.

- 1) To view the Graphics Select Tool, press and HOLD the mouse button over the Text Select Tool which looks like: . This tool will expand to reveal to additional tools. Choose the Graphics Select tool by placing the cursor over the button on of the far right that looks like: .
- 2) After selecting the Graphics Select Tool, place your cursor in the document window and the cursor will change to a plus (+) symbol. Click and drag the cursor over the area you want to print. When you release the mouse button, a marquee (or dotted lined box) will be displayed outlining the area you selected.
- 3) With the marquee in place, go to the file menu and select the "Print..." option. When the print window appears, choose the option under the section called "Print Range" which says "Selected Graphic".

Select OK and the output will print only the area that you outlined with the marquee. 

(continued >)

## ON-SCREEN SEARCH OPTION

All of the text within the service manual PDF is content searchable. This means that you can enter any text, word, phrase or reference number that appears in the manual, and the PDF software will search, find and move the cursor to the location where you requested text first appears. This feature can be particularly useful in locating components on a specific schematic or printed wire circuit board (PWB) diagrams.

Follow these steps to effectively locate a component on a schematic diagram:

- 1) Locate the schematic you want to search by clicking on the corresponding bookmark on the left side of the screen. The view on the right of the screen will then jump to the desired schematic page.
- 2) Magnify the diagram to at least 400% before conducting a component search. This will enable you to easily view the reference number when it is highlighted on screen. To do this, click on the magnifying glass button on the tool bar at the top of the screen. Move the cursor over the diagram and RIGHT click you mouse. Select the 400% magnification option on the pop-up menu. Click on the button with the icon of the open hand to deactivate the magnification tool
- 3) Search the diagram (or the entire manual) by clicking on the binocular button tool at the top of the screen. The "Find" window will appear and allow you to type in your desired text. Type in a reference designator, such as R502, and click on the "Find" button. If the component is not on the diagram, but is listed anywhere else in the manual, the cursor will jump to the first location the text is found in the file. To find another instance of that same text, click on the binocular button again and select "Find Again."

<u>MODEL NAME</u>	<u>REMOTE COMMANDER</u>	<u>DESTINATION</u>	<u>CHASSIS NO.</u>
<b>KP-57WV600</b>	RM-Y188	US/CND	SCC-P92D-A
<b>KP-57WV700</b>	RM-Y188	US/CND	SCC-P92B-A
<b>KP-65WV600</b>	RM-Y188	US/CND	SCC-P92C-A
<b>KP-65WV700</b>	RM-Y188	US/CND	SCC-P92A-A

## CORRECTION- 1

SUBJECT: EXPLODED VIEW COVER DIAGRAMS

Correct the service manual as shown.  
File this Correction with the service manual.

 : Corrected Item

### Section 6: Exploded View

6-1. COVER (KP-57WV600/57WV700 ONLY) (Page 107)

6-2. COVER (KP-65WV600/65WV700 ONLY) (Page 108)

COLOR REAR VIDEO PROJECTOR


**SONY**<sup>®</sup>


## SECTION 6: EXPLODED VIEWS

Components not identified by a part number or description are not stocked because they are seldom required for routine service.

The component parts of an assembly are indicated by the reference numbers in the far right column of the parts list and within the dotted lines of the diagram.

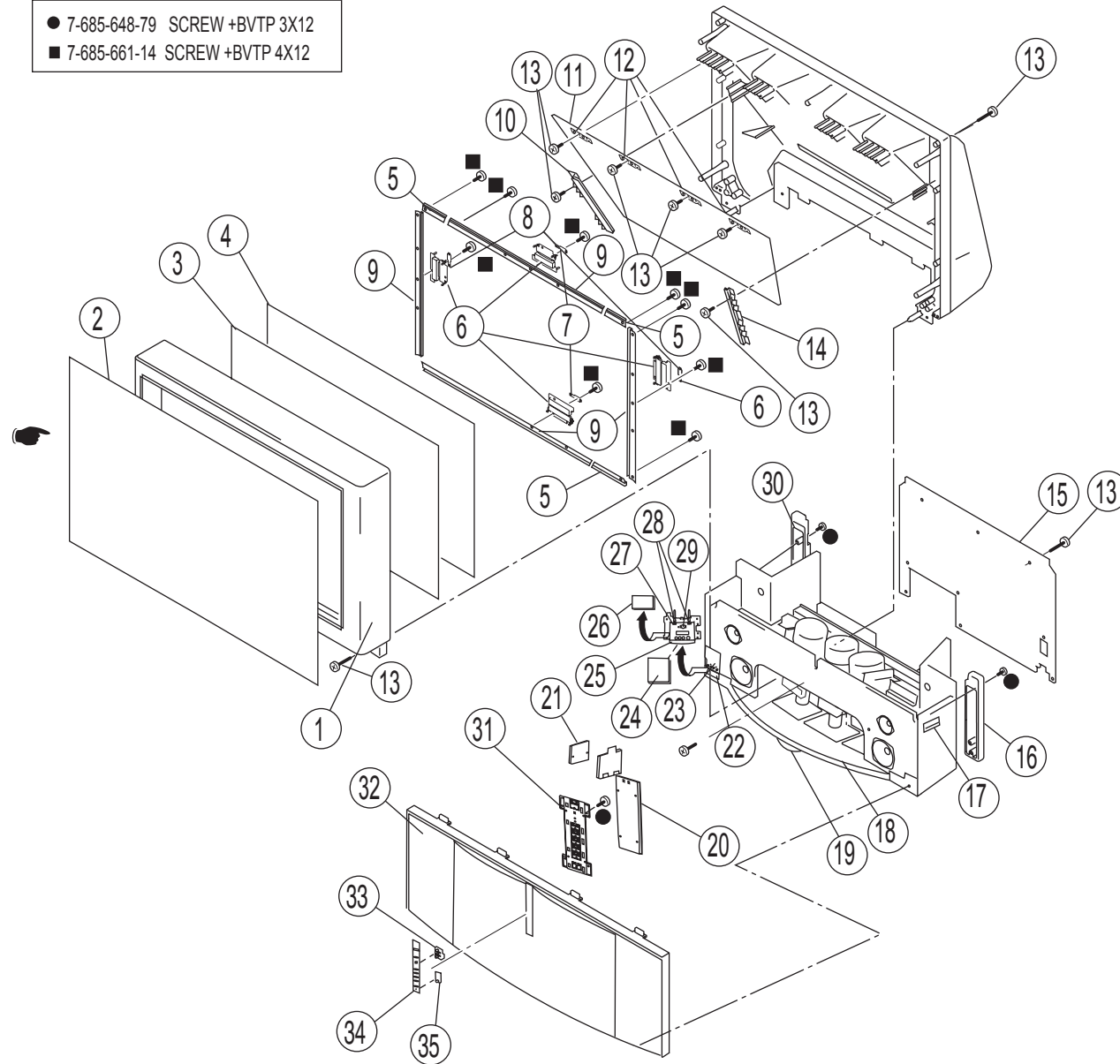
\* Items marked with an asterisk are not stocked since they are seldom required for routine service. Expect some delay when ordering these components.

NOTE: The components identified by shading and  mark are critical for safety. Replace only with part number specified.


NOTE: Les composants identifiés par un trame et une marque  sont critiques pour la sécurité. Ne les remplacer que par une pièce portant le numéro spécifié.


### 6-1. COVER (KP-57WV600/57WV700 ONLY)

- 7-685-648-79 SCREW +BVTP 3X12
- 7-685-661-14 SCREW +BVTP 4X12



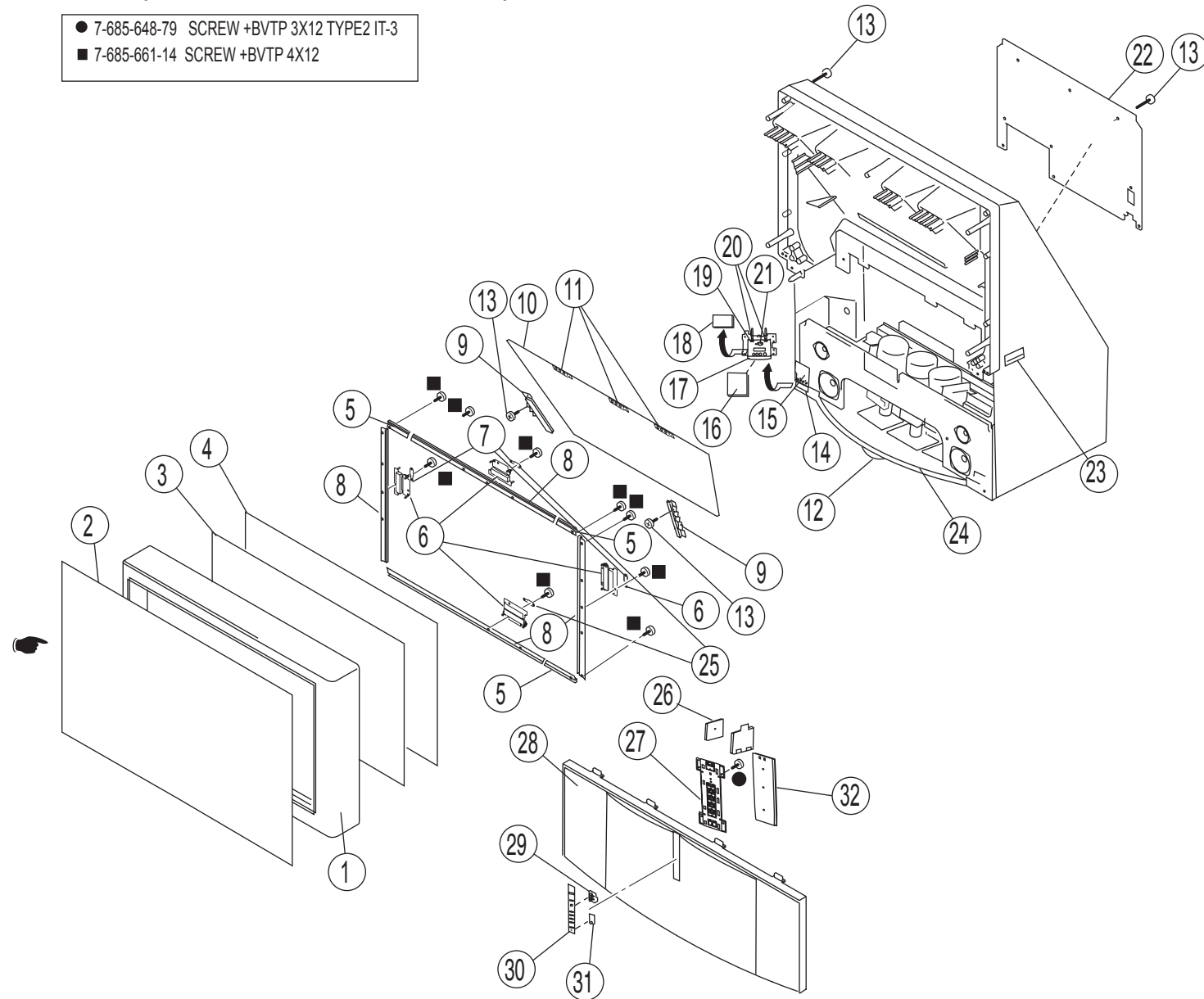
REF.NO.	PART NO.	DESCRIPTION	REF.NO.	PART NO.	DESCRIPTION
1	X-4040-450-1	BEZNET ASSY KP-57WV600 ONLY	18	4-088-631-01	SKIRT, FRONT KP-57WV600 ONLY
1	X-4040-448-1	BEZNET ASSY KP-57WV700 ONLY	18	4-088-603-01	SKIRT, FRONT KP-57WV700 ONLY
2	A-1603-725-A	CONTRAST SCREEN ASSY KP-57WV600 ONLY	19	4-075-020-01	FOOT, PLASTIC
2	A-1603-723-A	CONTRAST SCREEN ASSY KP-57WV700 ONLY	20	* A-1400-748-A	HA MOUNT
3	4-088-638-11	PLATE, DIFFUSION (WL) KP-57WV600 ONLY	21	* A-1300-323-A	HM COMPLETE PC BOARD
3	4-088-611-11	PLATE, DIFFUSION (WL) KP-57WV700 ONLY	22	4-088-572-01	LABEL, INPUT TERMINAL
4	4-088-637-11	PLATE, DIFFUSION (WF) KP-57WV600 ONLY	23	4-088-569-01	BRACKET, INPUT TERMINAL
4	4-088-610-11	PLATE, DIFFUSION (WF) KP-57WV700 ONLY	24	4-088-571-01	PLATE, INPUT TERMINAL
5	* 4-089-180-01	HOLDER, SCREEN SHORT	25	3-973-975-41	DAMPER, OIL
6	* A-1400-759-A	SR MOUNT	26	* A-1400-747-A	HB MOUNT
7	4-088-460-21	CUSHION, SCREEN	27	4-088-570-01	COVER, INPUT TERMINAL
8	4-088-460-31	CUSHION, SCREEN	28	4-088-573-01	SPRING
9	* 4-088-461-01	HOLDER, SCREEN	29	4-047-464-01	CATCHER, PUSH
10	* 4-088-600-01	HOLDER (L), MIRROR	30	* 4-088-629-01	PANEL L, SIDE KP-57WV600 ONLY
11	4-088-598-01	MIRROR	30	* 4-088-606-01	PANEL (L), SIDE KP-57WV700 ONLY
12	* 4-081-501-01	HOLDER, MIRROR	31	4-088-622-01	BUTTON KP-57WV600 ONLY
13	4-081-063-01	SCREW, DOME WASHER HEX TAP 4X20	31	4-088-585-01	BUTTON KP-57WV700 ONLY
14	* 4-088-601-01	HOLDER (R), MIRROR	32	X-4040-323-1	GRILLE ASSY, SPEAKER KP-57WV600 ONLY
15	* 4-088-115-01	BOARD, REAR KP-57WV600 ONLY	32	X-4040-326-1	GRILLE ASSY, SPEAKER KP-57WV700 ONLY
15	* 4-091-605-01	BOARD, REAR KP-57WV700 ONLY	33	4-088-588-01	GUIDE, LED
16	* 4-088-630-01	PANEL R, SIDE KP-57WV600 ONLY	34	4-088-621-01	PANEL, CONTROL KP-57WV600 ONLY
16	* 4-088-607-01	PANEL (R), SIDE KP-57WV700 ONLY	34	4-088-584-01	PANEL, CONTROL KP-57WV700 ONLY
17	* 4-088-541-01	HANDLE	35	4-088-586-01	GUIDE, LED

NOTE: The components identified by shading and  mark are critical for safety. Replace only with part number specified.

NOTE: Les composants identifiés par un trame et une marque  sont critiques pour la securite. Ne les remplacer que par une piece portant le numero specifie.

**6-2. COVER (KP-65WV600/65WV700 ONLY)**

- 7-685-648-79 SCREW +BVTP 3X12 TYPE2 IT-3
- 7-685-661-14 SCREW +BVTP 4X12



REF.NO.	PART NO.	DESCRIPTION	REF.NO.	PART NO.	DESCRIPTION
1	X-4040-449-1	BEZNET ASSY KP-65WV600 ONLY	17	3-973-975-41	DAMPER, OIL
1	X-4040-447-1	BEZNET ASSY KP-65WV700 ONLY	18	* A-1400-747-A	HB MOUNT
2	A-1603-724-A	CONTRAST SCREEN ASSY KP-65WV600 ONLY	19	4-088-570-01	COVER, INPUT TERMINAL
2	A-1603-722-A	CONTRAST SCREEN ASSY KP-65WV700 ONLY	20	4-088-573-01	SPRING
3	4-088-627-11	PLATE, DIFFUSION (WL) KP-65WV600 ONLY	21	4-047-464-01	CATCHER, PUSH
3	4-088-594-11	PLATE, DIFFUSION (WL) KP-65WV700 ONLY	22	* 4-088-575-01	BOARD, REAR
4	4-088-626-11	PLATE, DIFFUSION (WF) KP-65WV600 ONLY	23	* 4-088-541-01	HANDLE
4	4-088-596-11	PLATE, DIFFUSION (WF) KP-65WV700 ONLY	24	4-088-620-01	SKIRT, FRONT KP-65WV600 ONLY
5	* 4-089-179-01	HOLDER, SCREEN SHORT	24	4-088-574-01	SKIRT, FRONT KP-65WV700 ONLY
6	* A-1400-759-A	SR MOUNT	25	4-088-460-01	CUSHION, SCREEN
7	4-088-460-11	CUSHION, SCREEN	26	* A-1300-323-A	HM COMPLETE PC BOARD
8	* 4-088-461-01	HOLDER, SCREEN	27	4-088-622-01	BUTTON KP-65WV600 ONLY
9	4-088-579-01	HOLDER, MIRROR SLIDE	27	4-088-585-01	BUTTON KP-65WV700 ONLY
10	* 4-088-577-01	MIRROR	28	X-4040-321-1	GRILLE ASSY, SPEAKER KP-65WV600 ONLY
11	* 4-088-580-01	HOLDER, MIRROR BASE	28	X-4040-325-1	GRILLE ASSY, SPEAKER KP-65WV700 ONLY
12	4-075-020-01	FOOT, PLASTIC	29	4-088-588-01	GUIDE, LED
13	4-081-063-01	SCREW, DOME WASHER HEX TAP 4 X 20	30	4-088-621-01	PANEL, CONTROL KP-65WV600 ONLY
14	4-088-572-01	LABEL, INPUT TERMINAL	30	4-088-584-01	PANEL, CONTROL KP-65WV700 ONLY
15	4-088-569-01	BRACKET, INPUT TERMINAL	31	4-088-586-01	GUIDE, LED
16	4-088-571-01	PLATE, INPUT TERMINAL	32	* A-1400-748-A	HA MOUNT



