

HISTORY INFORMATION FOR THE FOLLOWING MANUAL:

SERVICE MANUAL

LA-3 CHASSIS

<u>MODEL NAME</u>	<u>REMOTE COMMANDER</u>	<u>DESTINATION</u>
KDF-55WF655	RM-Y915	US/CND
KDF-60WF655	RM-Y915	US/CND

ORIGINAL MANUAL ISSUE DATE: 9/2004

 :UPDATED ITEM

<u>REVISION DATE</u>	<u>SUBJECT</u>
9/2004	No revisions or updates are applicable at this time.
10/2004	Updated Block Diagram (Replaced Page 35 with Page 35) Corrected PN for Cabinet Assembly Bottom, Added missing parts to Exploded View section (Replaced Page 73 with Page 73, Replaced Page 74 with Page 74) Added PN for Lamp and Washer (Replaced Page 122 with Page 122)
1/2005	Corrected Section 2-1. Setting the Service Adjustment Mode and 2-2. Service Adjustment Mode Memory (Replaced Page 27 with Page 27) Corrected Section 2-4. Remote Adjustment Buttons and Indicators (Replaced Page 28 with Page 28) Updated contact information for Service Data requests (Replaced Page 30 with Page 30) Updated contact information for Tiled Schematic requests (Replaced Last Page with Last Page)
1/2005	Added Caution statement (Replaced Page 6 with Page 6)
8/2005	Corrected location of LVDS Cables (Replaced Page 75 with Page 75)

LCD PROJECTION TELEVISION

SONY[®]

SERVICE MANUAL

LA-3 CHASSIS

<u>MODEL NAME</u>	<u>REMOTE COMMANDER</u>	<u>DESTINATION</u>
KDF-55WF655	RM-Y915	US/CND
KDF-60WF655	RM-Y915	US/CND



KDF-55WF655



RM-Y915

LCD PROJECTION TELEVISION

SONY®

TABLE OF CONTENTS

SECTION TITLE	PAGE	SECTION TITLE	PAGE
Specifications	4	SECTION 3: DIAGRAMS.....	33
Warnings and Cautions	6	3-1. Circuit Boards Location	33
Safety Check-Out	7	3-2. Printed Wiring Boards and Schematic Diagrams Information	33
Self-Diagnostic Function.....	8	3-3. Block Diagram	35
SECTION 1: DISASSEMBLY.....	13	3-4. Schematics and Supporting Information	36
1-1. Rear Cover Removal.....	13	A Board Schematic Diagram (1 of 3).....	36
1-2. Center Pillar Removal	13	A Board Schematic Diagram (2 of 3).....	37
1-3. Chassis Assembly and fan Removal	14	A Board Schematic Diagram (3 of 3).....	38
1-4. Service Position	14	B Board Schematic Diagram (1 of 6)	41
1-5. Power Supply Block Removal (Lamp Drive Unit).....	15	B Board Schematic Diagram (2 of 6)	42
1-6. RF Antenna Switch and P Board Removal	15	B Board Schematic Diagram (3 of 6)	43
1-7. U Board, H4 Board, and Fan Removal	16	B Board Schematic Diagram (4 of 6)	44
1-8. F Board and G1 Board Board Removal	16	B Board Schematic Diagram (5 of 6)	45
1-9. A Board and KD Board Removal.....	17	B Board Schematic Diagram (6 of 6)	46
1-10. Q Box Assembly and B Board Removal.....	17	G2 Board Schematic Diagram (1 of 2).....	49
1-11. G2 Board Removal.....	18	G2 Board Schematic Diagram (2 of 2).....	50
1-12. Woofer Removal	18	P Board Schematic Diagram	53
1-13. Optics Unit Block Assembly and D.C. Fan Removal.....	19	KD Board Schematic Diagram	54
1-14. T Board Removal	19	G1 Board Schematic Diagram (1 of 2).....	56
1-15. Front Cover Assembly Removal.....	20	G1 Board Schematic Diagram (2 of 2).....	57
1-15-1. Replacing the Lamp.....	20	F Board Schematic Diagram.....	60
1-16. HM Board and H2 Board Removal.....	20	HM Board Schematic Diagram.....	62
1-17. H1 Board Removal.....	21	H1 Board Schematic Diagram.....	64
1-18. Screen Mirror Block Assembly Removal	21	H2 Board Schematic Diagram.....	66
1-19. Mirror Cover Assembly, H3 Board, and Speaker Removal ..	22	H3 Board Schematic Diagram.....	68
1-19-1. Diffusion plates (Screens) Tape Method.....	22	H4 Board Schematic Diagram.....	69
Wire Dressing	23	T Board Schematic Diagram	69
SECTION 2: CIRCUIT ADJUSTMENTS.....	27	U Board Schematic Diagram.....	70
2-1. Setting the Service Adjustment Mode	27	3-5. Semiconductors	72
2-2. Service Adjustment Mode Memory	27	SECTION 4: EXPLODED VIEWS.....	73
2-3. Memory Write Confirmation Method	28	4-1. Cover.....	73
2-4. Remote Adjustment Buttons and Indicators.....	28	4-2. Bottom Cabinet	74
2-5. H/V Center Confirmation and Adjustments	29	4-3. Chassis	75
2-6. Service Data.....	30	SECTION 5: ELECTRICAL PARTS LIST.....	76
2-7. ID Map Table	32		

SPECIFICATIONS

Power Requirements	120V AC, 60Hz	Control S (IN)	1 total
Power Consumption (W)	230W		Minijack
In Use (Max)	Under 20W	Control S (OUT)	1 total
In Standby	HDMI IN		Minijack
Inputs/Outputs	Video - 1080i, 720p, 480p, 480i	Component Video Input	2 (Y, P _B , P _R)
	Audio - Two channel linear PCM 32, 44.1 and 48 kHz, 16, 20, and 24 bit		Y: 1.0 Vp-p, 75 ohms unbalanced, sync negative
	Video (IN)		P _B : 0.7 Vp-p, 75 ohms;
	4 total (1 on front panel)		P _R : 0.7 Vp-p, 75 ohms
	1Vp-p, 75ohms unbalanced, sync negative	RF Inputs	2 total
	S Video (IN)	Digital Audio Optical Output (PCM/Dolby Digital)	1 total
	4 total (1 on front panel)		Optical Rectangular (1)
	Y: 1Vp-p, 75ohms unbalanced, sync negative	CableCARD Slot	1 total
	C: 0.286Vp-p (Burst signal), 75ohms		PCMCIA Type I/II
	Audio (IN)		
	7 total (1 on front panel)		
	500 mVrms (100% modulation)		
	Impedance:47 kilo ohms		
	Audio (VAR/FIX) Out		
	1 total		
	500 mVrms at the maximum volume setting (Variable)		
	500 mVrms (Fixed)		
	Impedance (Output):2 kilo ohm		
	Note: Audio Out jacks are operable only when the TV's speaker is set to Off.		

	KDF-55WF655	KDF-60WF655
Speaker Output (W)	5W x 2	
Woofer	20W	
Dimensions (W x H x D)		
mm	1,456 x 943 x 491 mm	1,574 x 1,005 x 518 mm
in	57 ^{1/3} x 37 ^{1/8} x 19 ^{1/3} in	62 x 39 ^{1/2} x 20 ^{1/3} in
Mass		
kg	46 kg	50.5 kg
lbs	101 lbs 7 oz	111 lbs 5 oz

CableCARD™ is a trademark of Cable Television Laboratories, Inc.

TruSurround, SRS and the (●)® symbol are trademarks of SRS Labs, Inc.

TruSurround technology is incorporated under license from SRS Labs, Inc.

BBE and BBE are trademarks of BBE Sound, Inc. and are licensed by BBE Sound, Inc. under U.S. Patent No. 4,638,258 and 4,482,866.



Manufactured under license from Dolby Laboratories Licensing Corporation. Dolby and the double-D symbol are trademarks of Dolby Laboratories Licensing Corporation.



This TV incorporates High-Definition Multimedia Interface (HDMI™) technology. HDMI, the HDMI logo and High-Definition Multimedia Interface are trademarks or registered trademarks of HDMI Licensing LLC.

WEGA, Steady Sound, Digital Reality Creation, CineMotion, Memory Stick, Memory Stick Duo, Memory Stick PRO, Memory Stick PRO Duo, MagicGate, MID and Twin View are trademarks of Sony Corporation.

Design and specifications are subject to change without notice.

Television system

American TV standard, NTSC
ATSC compliant 8VSB, ATSC (8VSB terrestrial)
ANSI/SCTE 07 2000 QAM on cable

Channel coverage

Terrestrial 2-69/ Cable TV: 1-125 (analog)
Terrestrial: 2-69/ Cable TV: 1-135 (digital)

Screen Size (measured diagonally)

55 inches (KDF-55WF655 Only)
60 inches (KDF-60WF655 Only)

Antenna

75-ohm external antenna terminal for VHF/UHF

Projection System

3 LCD Panels, 1 lens projection system

LCD Panel

0.87 inch TFT LCD panel Approx. 3.28 million dots
(1,042,168 pixels)

Projection Lens

High Performance, large diameter hybrid lens F2.4

Lamp

UHP lamp, 100W XL-2100 or XL2100U

Supplied Accessories

Remote Commander RM-Y915
Two Size AA (R6) Batteries

WARNINGS AND CAUTIONS


CAUTION

- ☞ These servicing instructions are for use by qualified service personnel only. To reduce the risk of electric shock, do not perform any servicing other than that contained in the operating instructions unless you are qualified to do so.

WARNING!!

An isolation transformer should be used during any service to avoid possible shock hazard, because of live chassis. The chassis of this receiver is directly connected to the ac power line.

SAFETY-RELATED COMPONENT WARNING!!


Components identified by shading and  mark on the schematic diagrams, exploded views, and in the parts list are critical for safe operation. Replace these components with Sony parts whose part numbers appear as shown in this manual or in supplements published by Sony. Circuit adjustments that are critical for safe operation are identified in this manual. Follow these procedures whenever critical components are replaced or improper operation is suspected.

ATTENTION!!

- ☞ Ces instructions de service sont à l'usage du personnel de service qualifié seulement. Pour prévenir le risque de choc électrique, ne pas faire l'entretien autre que celui contenu dans le Mode d'emploi à moins que vous soyez qualifié faire ainsi.

Afin d'éviter tout risque d'électrocution provenant d'un châssis sous tension, un transformateur d'isolement doit être utilisé lors de tout dépannage. Le châssis de ce récepteur est directement raccordé à l'alimentation du secteur.

ATTENTION AUX COMPOSANTS RELATIFS A LA SECURITE!!

Les composants identifiés par une trame et par une marque  sur les schémas de principe, les vues explosées et les listes de pièces sont d'une importance critique pour la sécurité du fonctionnement. Ne les remplacer que par des composants Sony dont le numéro de pièce est indiqué dans le présent manuel ou dans des suppléments publiés par Sony. Les réglages de circuit dont l'importance est critique pour la sécurité du fonctionnement sont identifiés dans le présent manuel. Suivre ces procédures lors de chaque remplacement de composants critiques, ou lorsqu'un mauvais fonctionnement suspecte.

SAFETY CHECK-OUT

After correcting the original service problem, perform the following safety checks before releasing the set to the customer:

1. Check the area of your repair for unsoldered or poorly soldered connections. Check the entire board surface for solder splashes and bridges.
2. Check the interboard wiring to ensure that no wires are "pinched" or touching high-wattage resistors.
3. Check that all control knobs, shields, covers, ground straps, and mounting hardware have been replaced. Be absolutely certain that you have replaced all the insulators.
4. Look for unauthorized replacement parts, particularly transistors, that were installed during a previous repair. Point them out to the customer and recommend their replacement.
5. Look for parts which, though functioning, show obvious signs of deterioration. Point them out to the customer and recommend their replacement.
6. Check the line cords for cracks and abrasion. Recommend the replacement of any such line cord to the customer.
7. Check the B+ and HV to see if they are specified values. Make sure your instruments are accurate; be suspicious of your HV meter if sets always have low HV.
8. Check the antenna terminals, metal trim, "metallized" knobs, screws, and all other exposed metal parts for AC leakage. Check leakage as described below.

Leakage Test

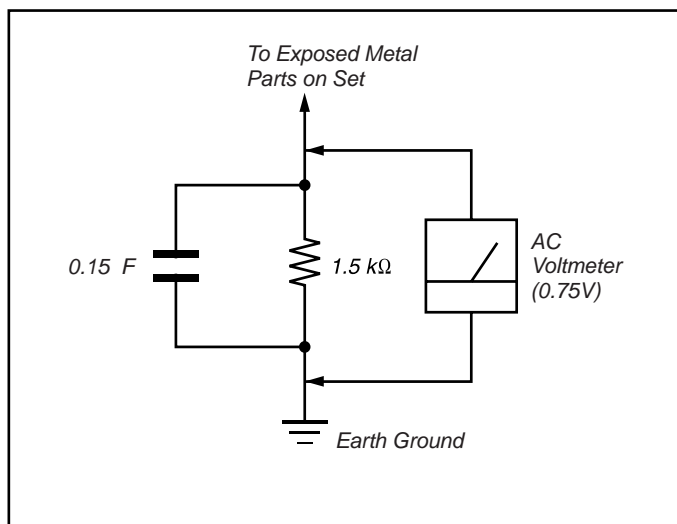


Figure A. Using an AC voltmeter to check AC leakage.

The AC leakage from any exposed metal part to earth ground and from all exposed metal parts to any exposed metal part having a return to chassis, must not exceed 0.5 mA (500 microamperes). Leakage current can be measured by any one of three methods.

1. A commercial leakage tester, such as the Simpson 229 or RCA WT-540A. Follow the manufacturers' instructions to use these instructions.
2. A battery-operated AC milliammeter. The Data Precision 245 digital multimeter is suitable for this job.
3. Measuring the voltage drop across a resistor by means of a VOM or battery-operated AC voltmeter. The "limit" indication is 0.75 V, so analog meters must have an accurate low voltage scale. The Simpson's 250 and Sanwa SH-63TRD are examples of passive VOMs that are suitable. Nearly all battery-operated digital multimeters that have a 2 VAC range are suitable (see Figure A).

How to Find a Good Earth Ground

A cold-water pipe is a guaranteed earth ground; the cover-plate retaining screw on most AC outlet boxes is also at earth ground. If the retaining screw is to be used as your earth ground, verify that it is at ground by measuring the resistance between it and a cold-water pipe with an ohmmeter. The reading should be zero ohms.

If a cold-water pipe is not accessible, connect a 60- to 100-watt trouble-light (not a neon lamp) between the hot side of the receptacle and the retaining screw. Try both slots, if necessary, to locate the hot side on the line; the lamp should light at normal brilliance if the screw is at ground potential (see Figure B).

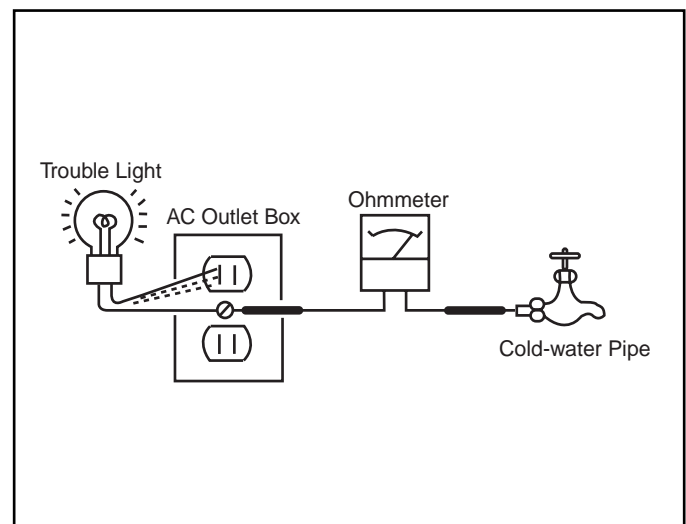


Figure B. Checking for earth ground.

SELF-DIAGNOSTIC FUNCTION



The units in this manual contain a self-diagnostic function. If an error occurs, the POWER/STANDBY or LAMP LED will automatically begin to flash. The number of times the LED flashes translates to a probable source of the problem. A definition of the POWER/STANDBY or LAMP LED flash indicators is listed in the instruction manual for the user's knowledge and reference. If an error symptom is difficult to reproduced use the Remote Commander to display the record that is stored at the internal NVM to specify the cause of the failure.

Diagnostic Test Indicators

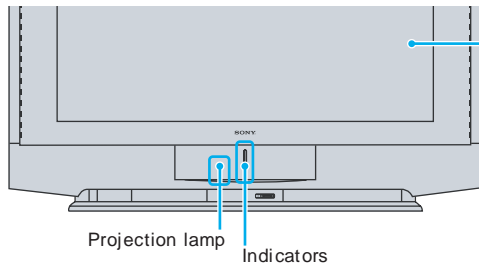
When an error occurs, the POWER/STANDBY or LAMP LED will flash a set number of times to indicate the possible cause of the problem. If there is more than one error, the LED will identify the first of the problem areas. If the errors occur simultaneously, the one that corresponds to the fewest flashes is identified first.

Results for all of the following diagnostic items are displayed on screen. No error has occurred if the screen displays a "0".

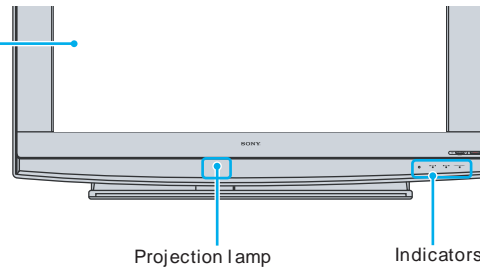
Diagnostic Item Description	Number of times STANDBY or LAMP LED lamp flashes	Probable Cause	Detected Symptoms
Lamp cover error	3 times	- Lamp cover is not fastened securely	- No picture/No sound
Fan error	4 times	- Fan1-4 Power is not supplied.(G2 board) - Fan connector is not seated securely - Fan caught wires or harnesses	- No picture/No sound
Temp error	4 times	- Internal temperature is too high - IIC-E line connector is not seated properly (WE:H3 board, WF/XS:H4 board)	- No picture/No sound
Lamp driver error	5 times	- Lamp driver defect	- No picture/No sound
Low B error	6 times	-No "DD 6V " output (G1 board)	- No picture/No sound
Audio error	7 times	- Short-circuit of Audio power supply line (KD board, G1 board) - Blowout of a fuse (F4702,F4703,F4704 on KD board) - IC failure (IC4703,IC4708,IC4710 on KD board)	- No picture/No sound
D-OVP error	8 times	- Overvoltage of +3.3V or +2.5V (A board, B board)	- No picture/No sound
ATSC-OVP error	10 times	-No "DTL MODULE 5V " output (G1 board, G2 board)	- No picture/No sound
Lamp error	LAMP-LED is ON.	- Lamp is dead	- No picture/No sound

Display of POWER/STANDBY or LAMP LED Flash Count

For K DF-WE655 series



For KDF-WF655 series



- One flash is not used for self-diagnosis

- Example

Diagnosis	Number of times LED Flash
Lamp cover	3 times
Fan	4 times

LED ON : 0.3sec
 LED OFF : 0.3sec
 LED OFF : 3.0sec

Releasing the POWER/STANDBY LED Flash

Unplug the power cord from the outlet to temporarily stop the POWER/STANDBY lamp from flashing.

Self-Diagnosis Screen Display

For failures that are difficult to reproduce, or accompany occasional power off and/or picture mute, the Self-Diagnosis screen display is useful to specify the cause..

To Bring Up Screen Test

In standby mode, press the buttons on the Remote Commander sequentially, in rapid succession, as shown below:

1. → → →

Self-Diagnostic Screen Display

SELF CHECK		
1	: LAMP ERR	0
3	: LAMP COVER	0
4	: FAN-E/TEMP-E	1
5	: LAMP DRIVER	0
6	: LowB-ERR	0
7	: Audio-Prot	1
8	: D-OVP	0
10	: ATSC_OVP	0
101	: WDT	0

"1" is displayed when a failure is detected one or more times
 "0" is displayed when no failure has been detected

Since the diagnostic results displayed on the screen are not automatically cleared, always check the self-diagnostic screen during repairs. When you have completed the repairs, clear the result display to "0".

Note: The self-diagnostic function will not be able to detect any subsequent faults after completion of the repairs unless the result display is cleared to "0".

Clearing the Result Display

To clear the result display to "0", press the buttons on the Remote Commander sequentially when the diagnostic screen is displayed, as shown below:

1. If the screen is already displayed, proceed to step 3. If not, Power off (Set to Standby model).
2. Press **Display** → **Channel 5** → **Sound Volume 1** → **Power ON**
3. Press **Channel 8** → **ENTER**

Clearing the Self-Diagnostic Screen

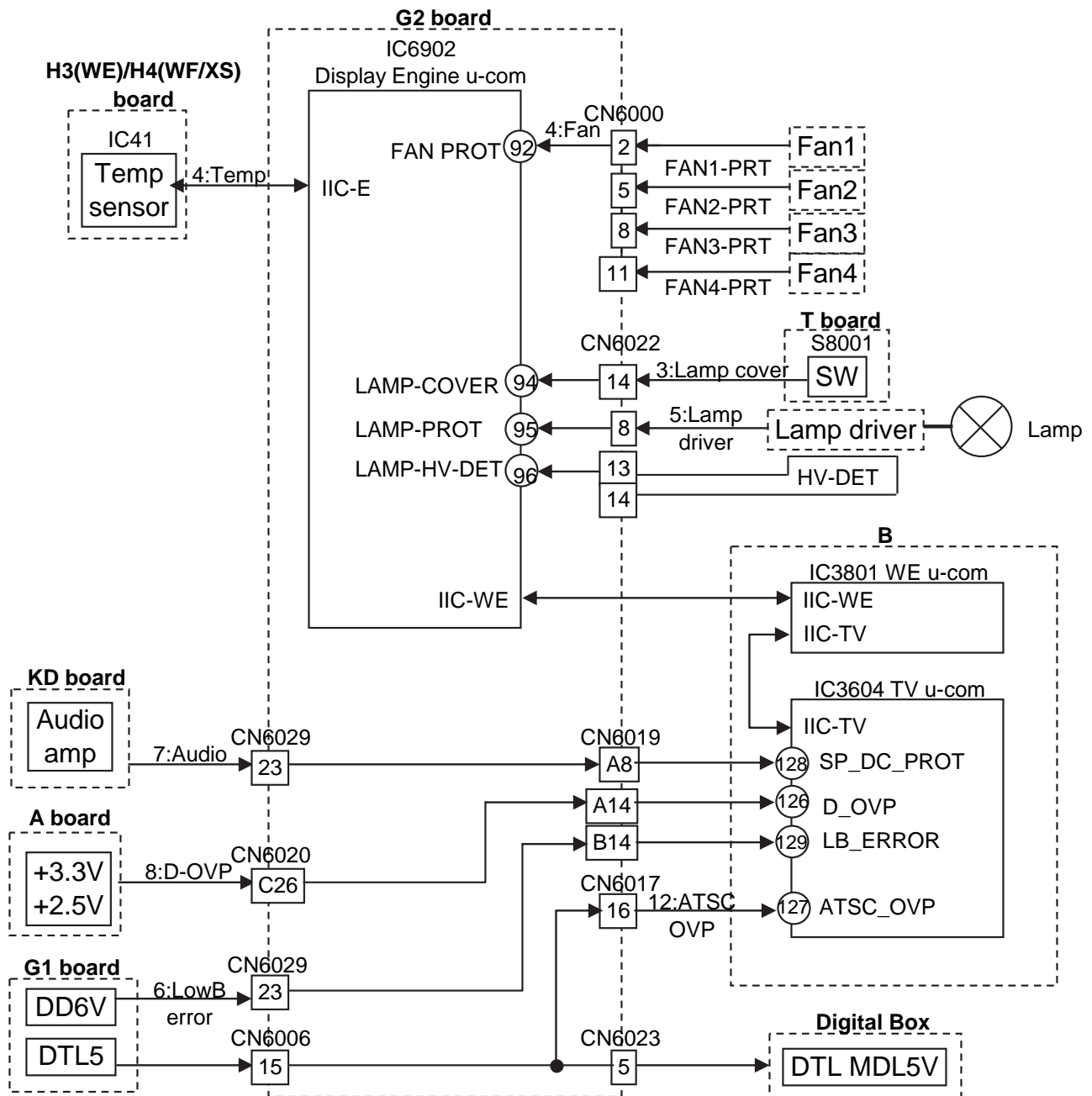
The self diagnosis screen display is cleared by turning off the set using the Remote Commander or the power switch.

Self-Diagnostic Circuit

Self-Diagnosis Function Operation

3	Lamp cover	The rib at the back of the lamp cover closes the SW on the T board to ground pin 3 of CN8001. It is monitored by the DE-micro (pin 94 of IC6902) and turns off the lamp when it is opened.
4	Fan	Fan rotation is detected by "FAN-PROT" and the DE-micro (pin 92 of IC6902) turns off the lamp when it is "high".
4	Temp	When the temperature sensor on the H3 board (WE models) or H4 board (WF/XS models) detects high temperature, or IIC-E line connector (CN6022:G2 board, CN44:H3board/H4board) is not seated securely, the DE-micro turns off the lamp.
5	Lamp driver	When the "LAMP-PROT" (pin 95) is low, the lamp is not turned on. If the "LAMP-HV-DET" (pin 96) is low at the same time, it is classified as no high voltage of the lamp driver.
6	Low B error	When no "DD 6V " is detected, pin 129 of TV-micro is low and it turns off the main power.
7	Audio	When DC voltage is detected at the speaker or woofer outputs, pin 128 of TV-micro is low and it turns off the main power.
8	D-OVP	When overvoltage of "+3.3V" or "+2.5V" is detected, pin 126 of TV-micro is low and it turns off the main power.
10	ATSC-OVP	When no "Digital Module 5V" is detected, pin 127 of TV-micro is low and it turns off the main power.
LAMP	Lamp	When the "LAMP-PROT" (pin 95) is low, the lamp is not turned on. If the "LAMP-HV-DET" (pin96) is high at the same time, it is classified as no lamp or a dead lamp.

Self-Diagnosis Block Diagram



Reading Lamp and Panel time

Use the following to determine the lamp and panel time of a set.

Screen Display Method

In standby mode, press the buttons on the Remote Commander sequentially, in rapid succession, as shown below:

1. Press **Display** → Channel **5** → Sound Volume **+** → Power ON
2. To enter the DE-micro service menu, press **Jump** 3 times.
3. To display the Lamp time, press Channel **2** 9 times.

example

PANEL	NVM OK	9	OPTION_E
0 LAMP	0 Diff	1	
LampTM	14	LampCT	71

The screen displays:

"Total lamp time is 14 hours" and "Total lamp ON/OFF cycle is 71 times"

To reset the lamp time press Channel **3** → **Mute** → **Enter**.

WRI-EXE(Character color is Red) is momentarily displayed and LampTM is reset to "0".

4. To display the Panel time, press Channel **1** 7 times

example

PANEL	NVM OK	9	OPTION_E
7 SH SFT1	10 Diff	1	
PanelTM	14h		

The screen displays:

"Total Panel time is 14 hours"

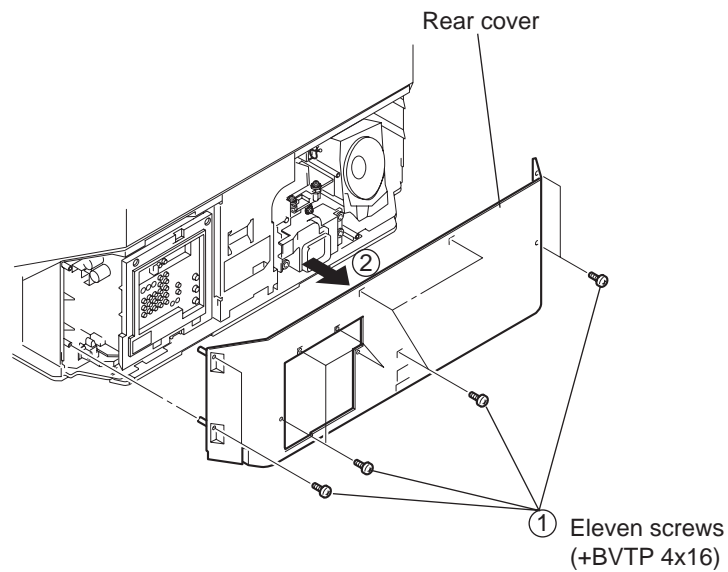
NOTE: You cannot reset the Panel time with the Service menu.

Exiting Service Mode

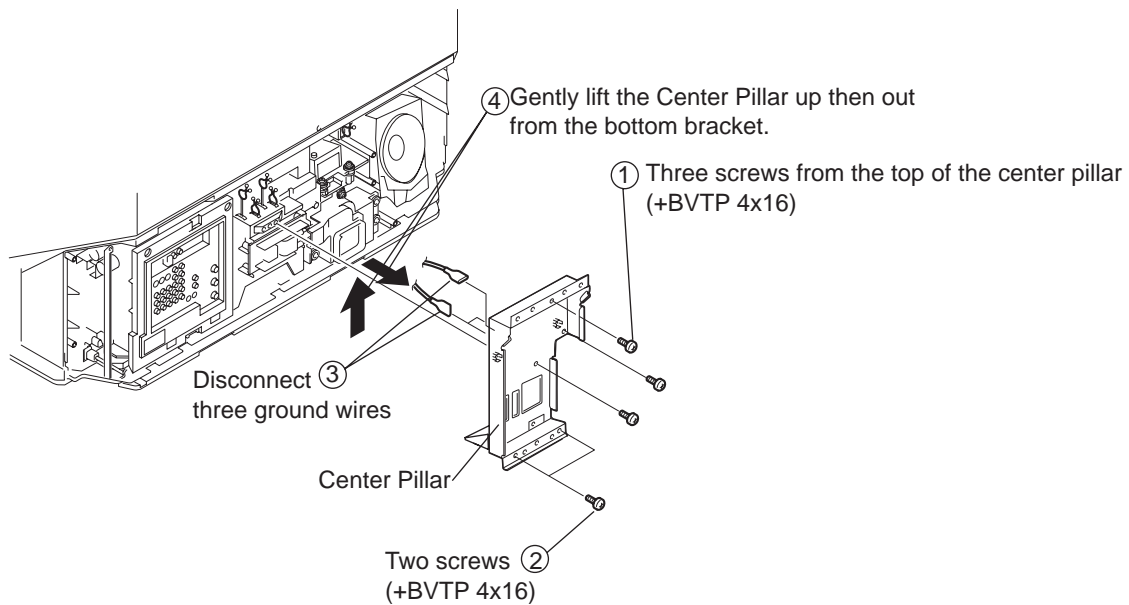
After completing the changes exit service mode by turning off the set using the Remote Commander or the power switch.

SECTION 1: DISASSEMBLY

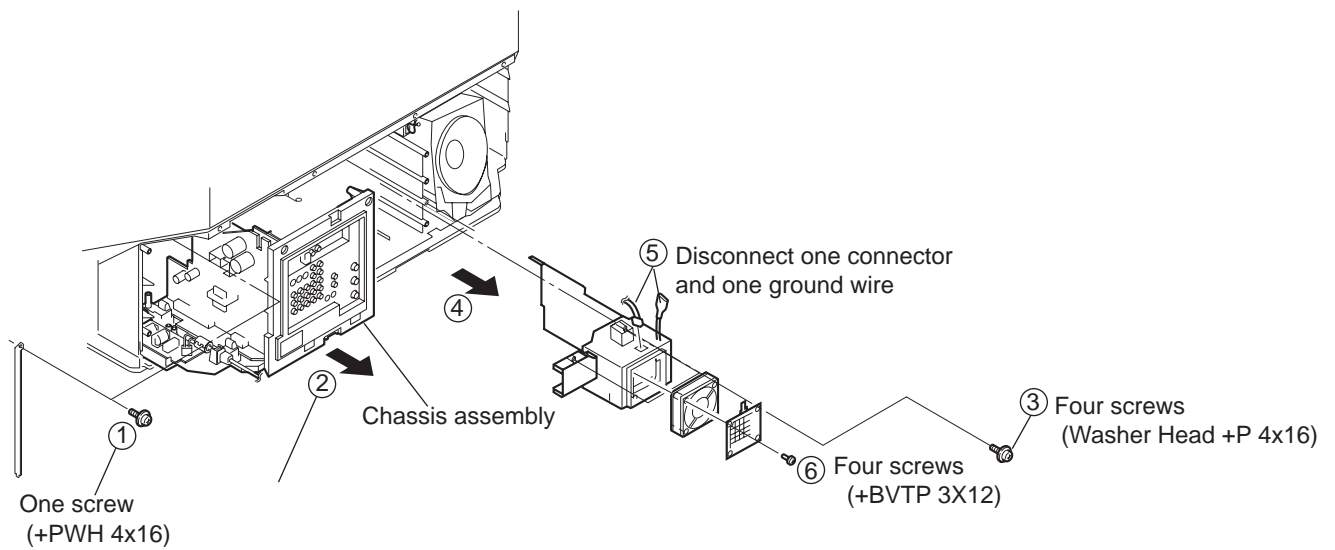
1-1. REAR COVER REMOVAL



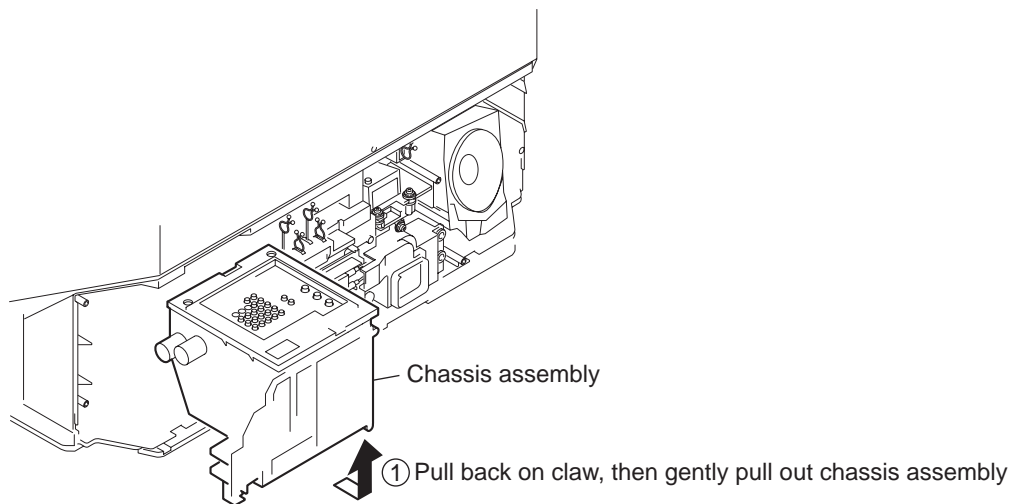
1-2. CENTER PILLAR REMOVAL



1-3. CHASSIS ASSEMBLY AND FAN REMOVAL

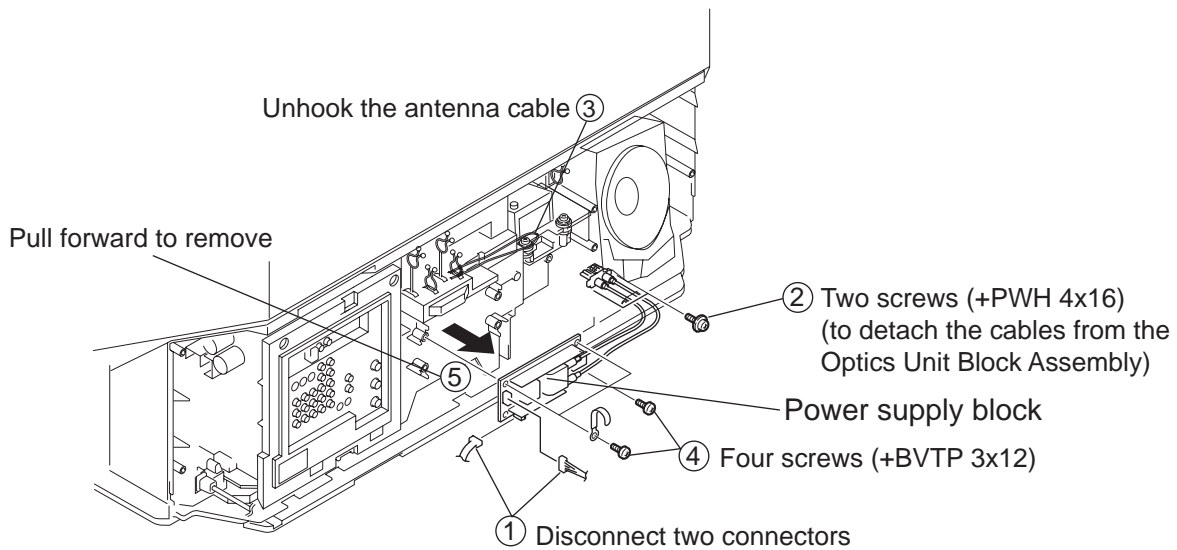


1-4. SERVICE POSITION

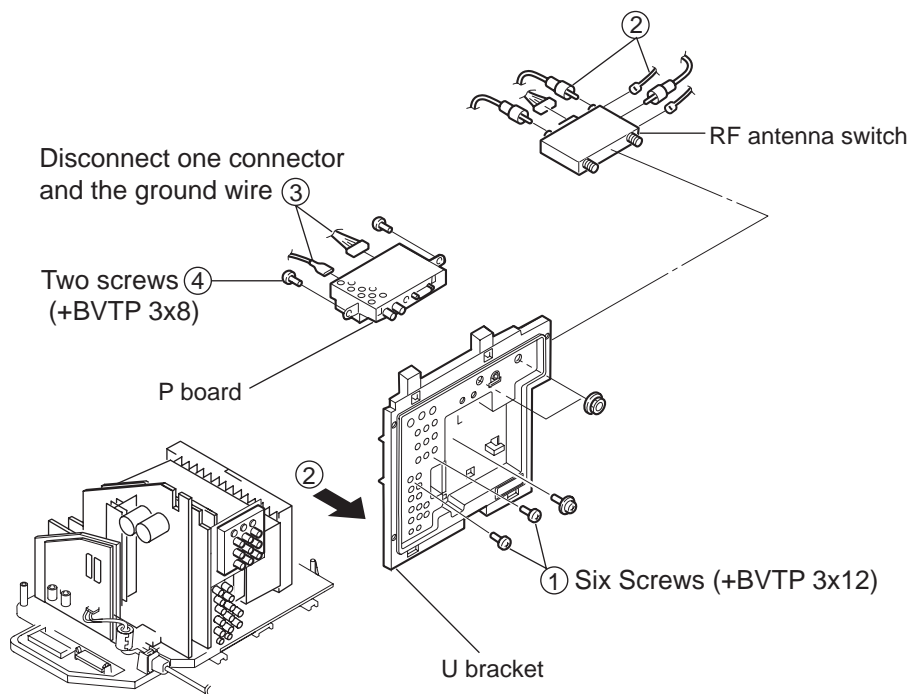


1-5. POWER SUPPLY BLOCK REMOVAL (LAMP DRIVE UNIT)

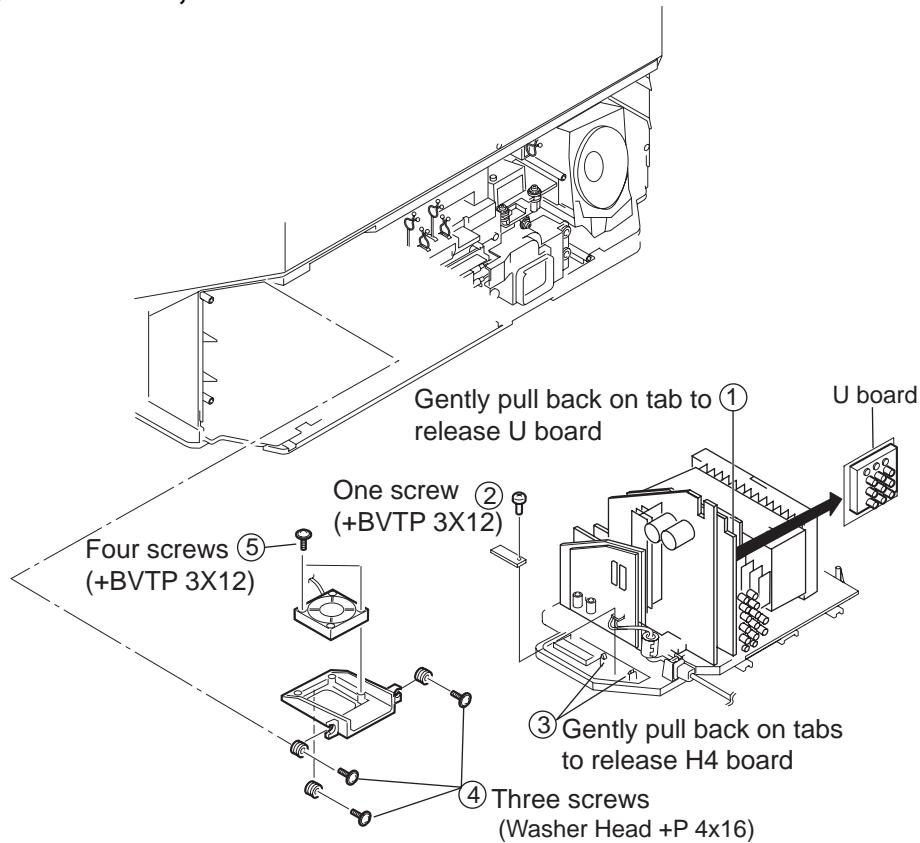
CAUTION: When removing the Power Supply Block be careful not to move the Optical Unit Block



1-6. RF ANTENNA SWITCH AND P BOARD REMOVAL

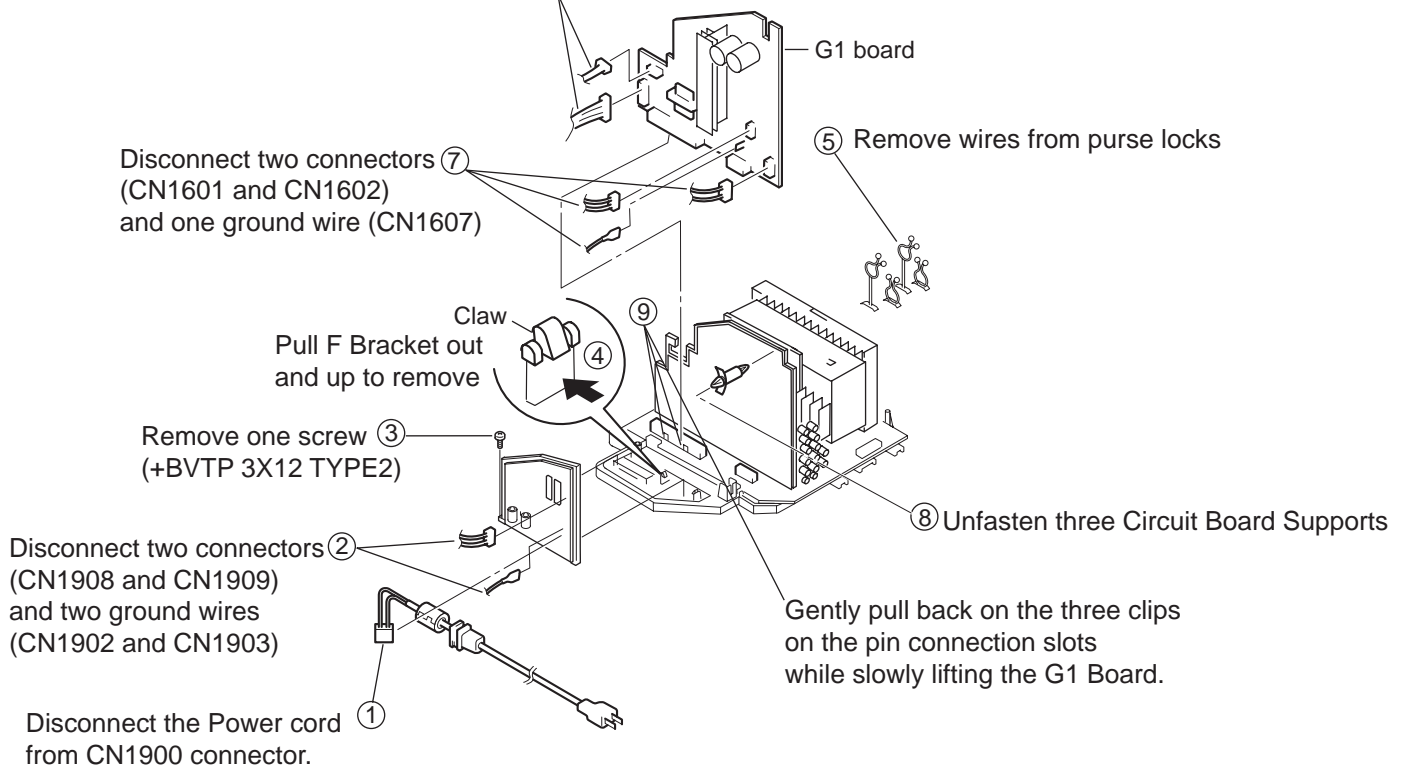


1-7. U BOARD, H4 BOARD, AND FAN REMOVAL

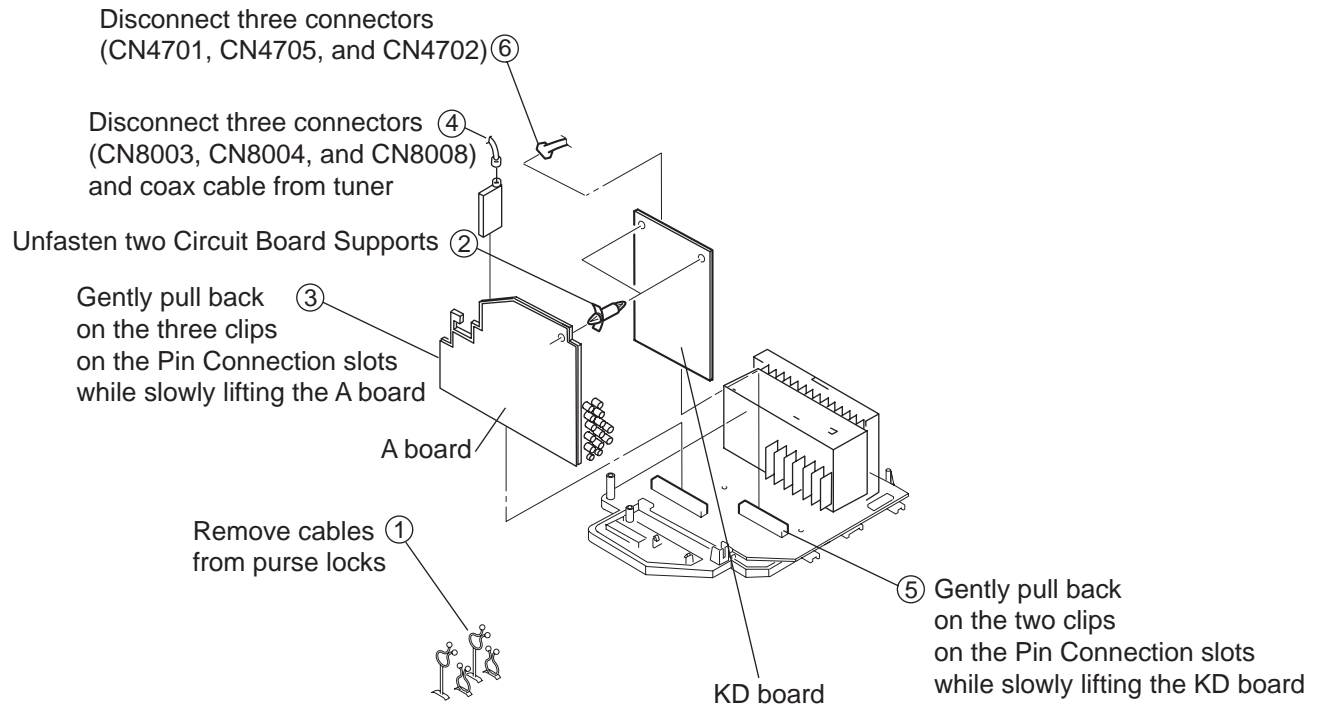


1-8. F BOARD AND G1 BOARD BOARD REMOVAL

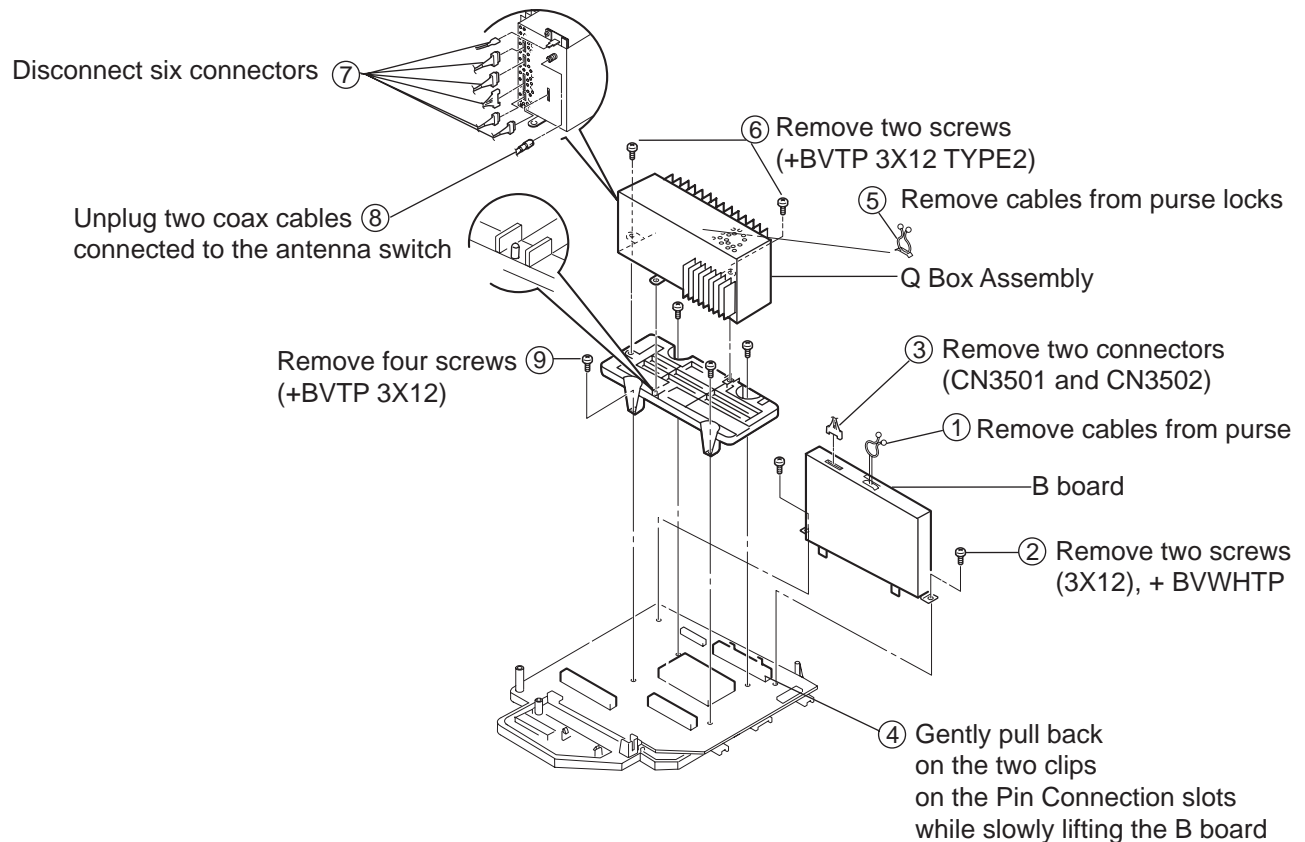
Disconnect two connectors (CN1603 & CN1604) ⑥



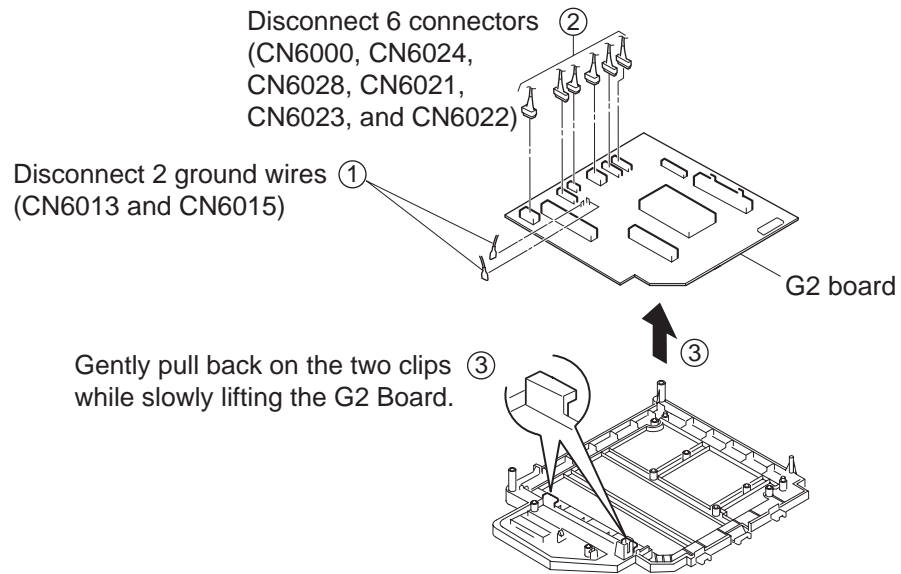
1-9. A BOARD AND KD BOARD REMOVAL



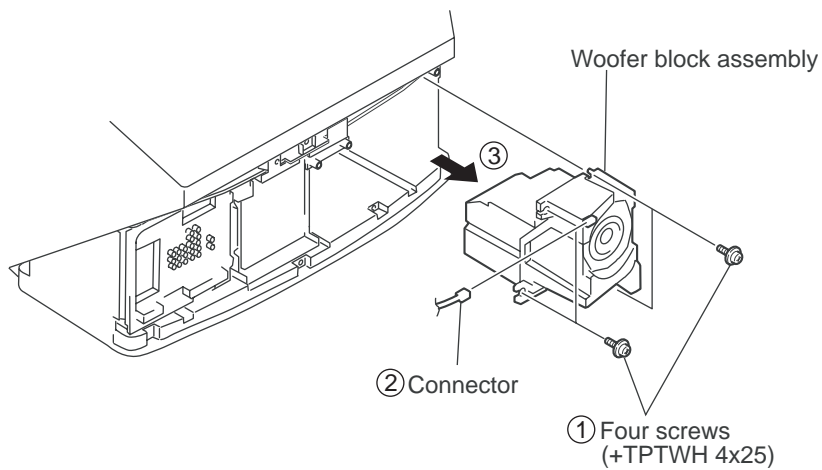
1-10. Q BOX ASSEMBLY AND B BOARD REMOVAL



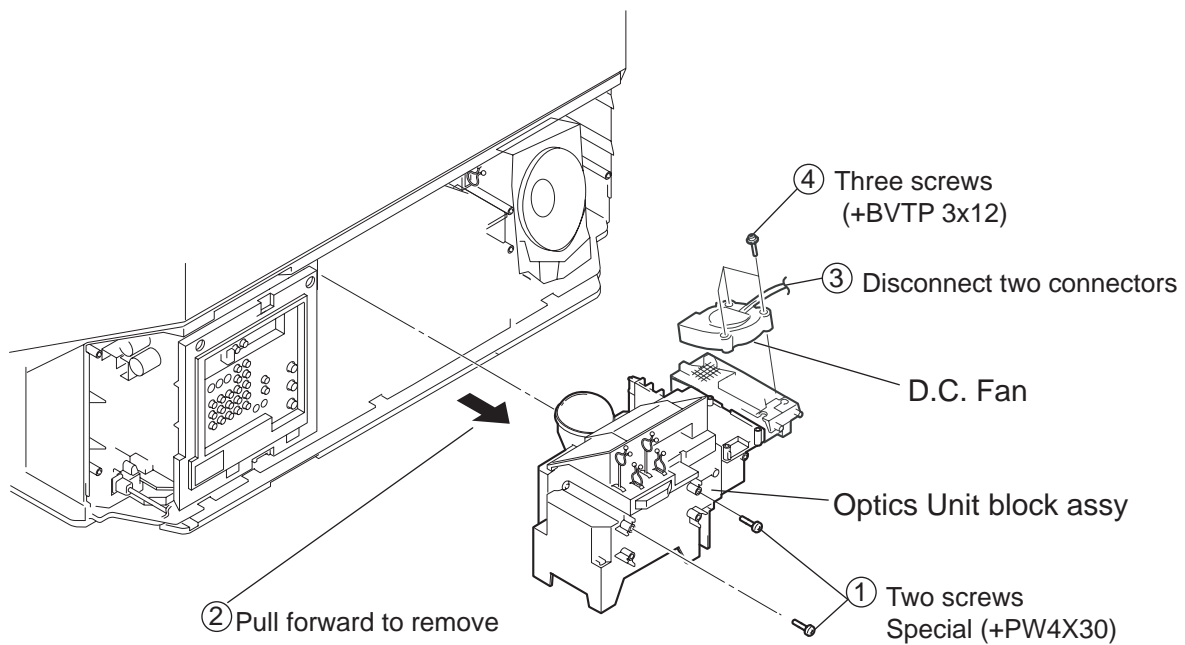
1-11. G2 BOARD REMOVAL



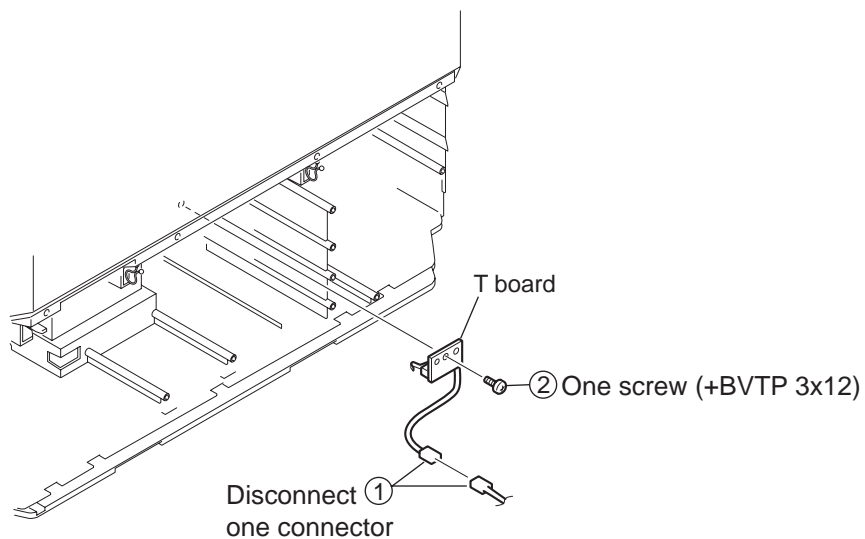
1-12. WOOFER REMOVAL



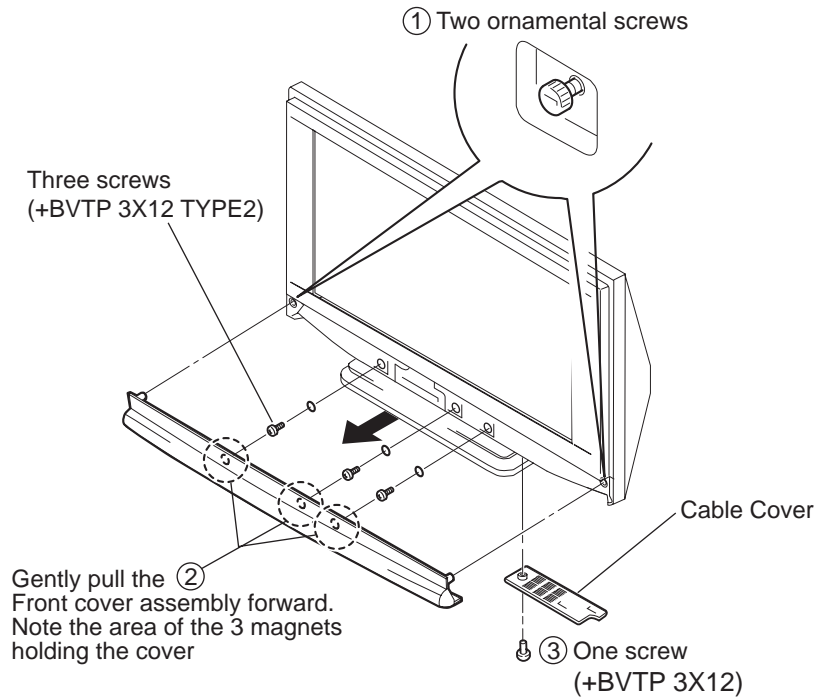
1-13. OPTICS UNIT BLOCK ASSEMBLY AND D.C. FAN REMOVAL



1-14. T BOARD REMOVAL



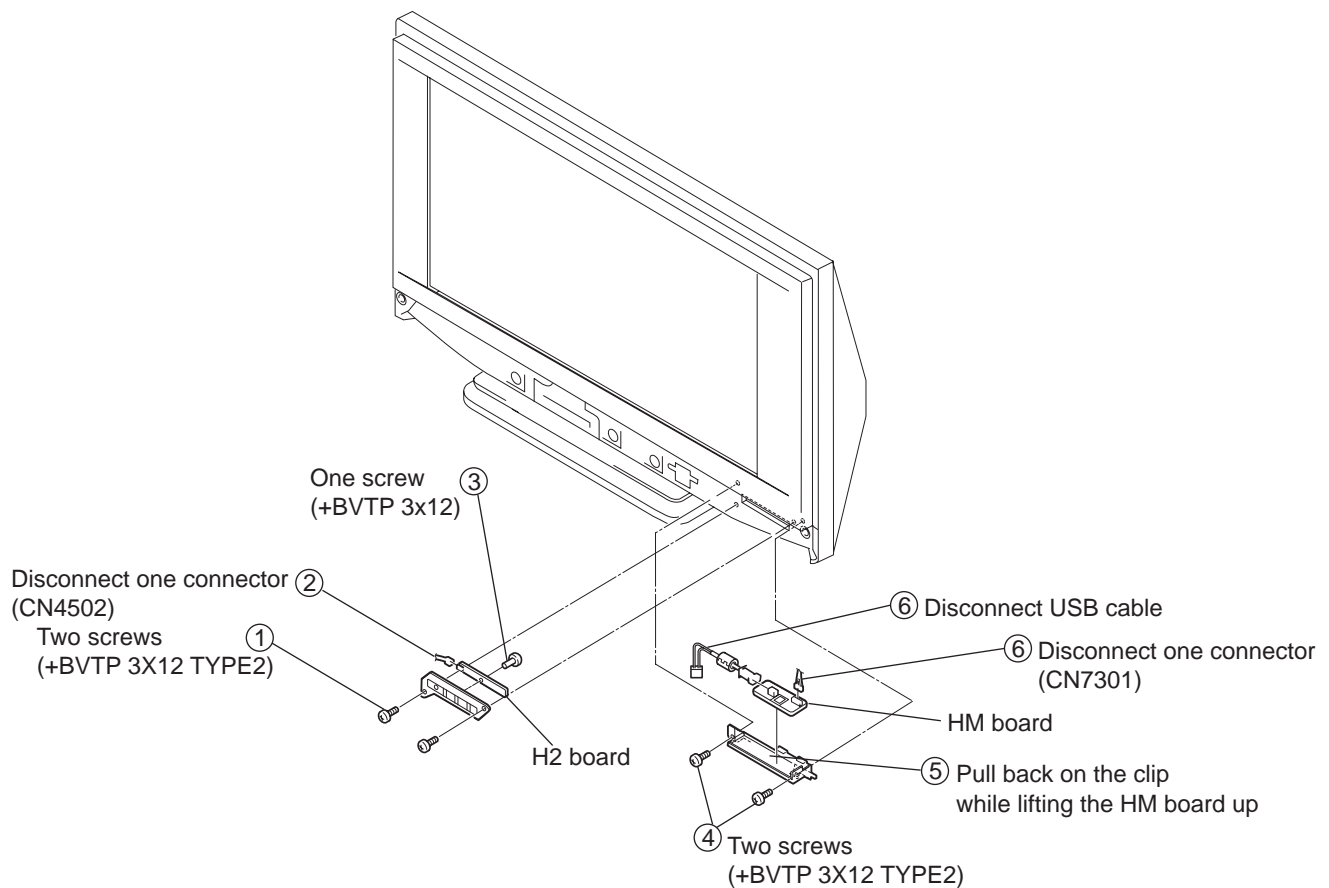
1-15. FRONT COVER ASSEMBLY REMOVAL



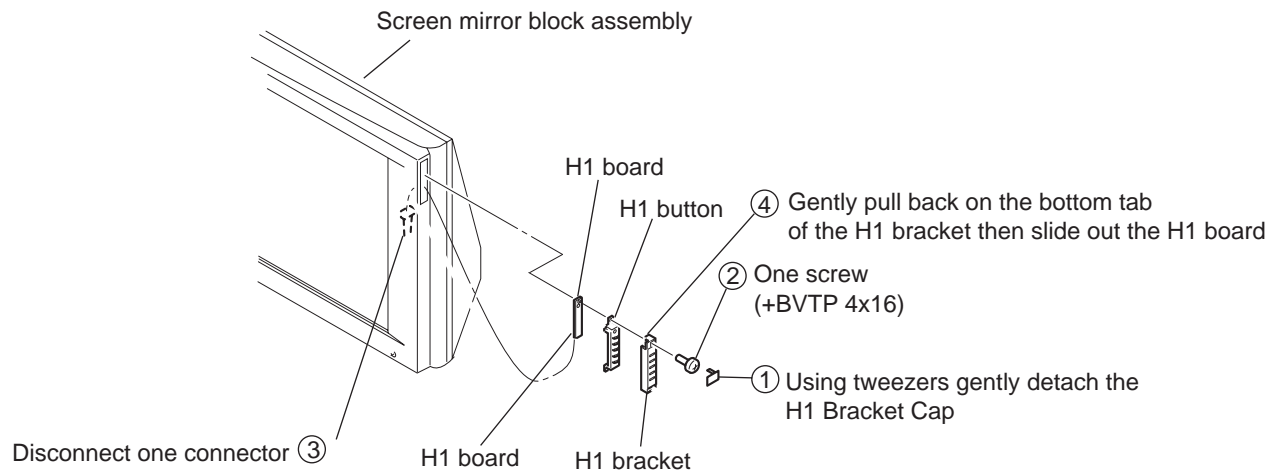
1-15-1.REPLACING THE LAMP

For detailed instructions on replacing the lamp, see Page 16 of the Operating Instructions manual.

1-16. HM BOARD AND H2 BOARD REMOVAL



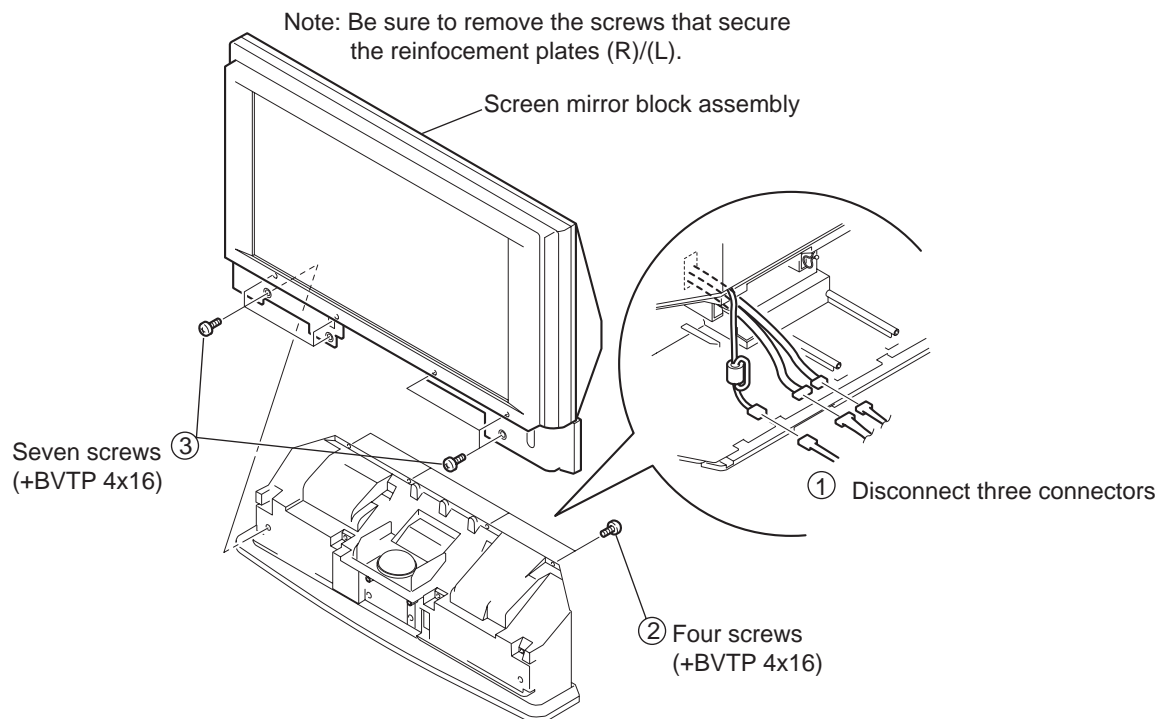
1-17. H1 BOARD REMOVAL



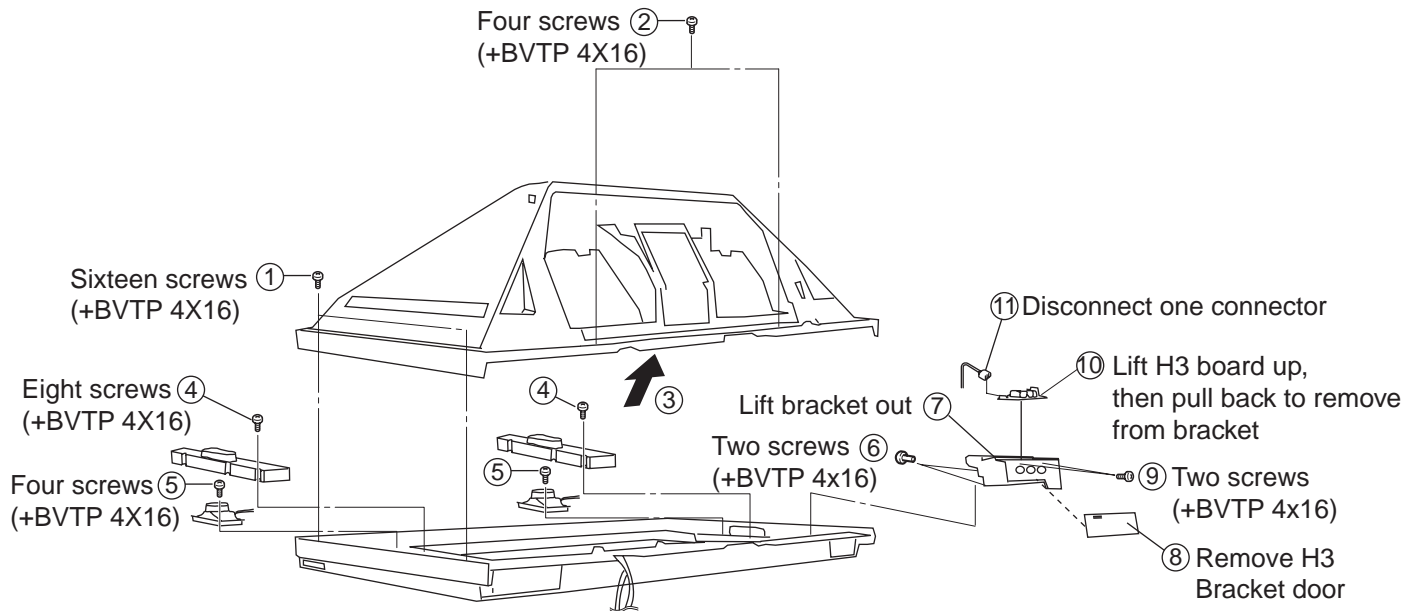
1-18. SCREEN MIRROR BLOCK ASSEMBLY REMOVAL

Caution:

When repairing anything inside the Screen Mirror Block Assembly be sure to clean the mirror and Diffusion Plate to remove any dust particles.

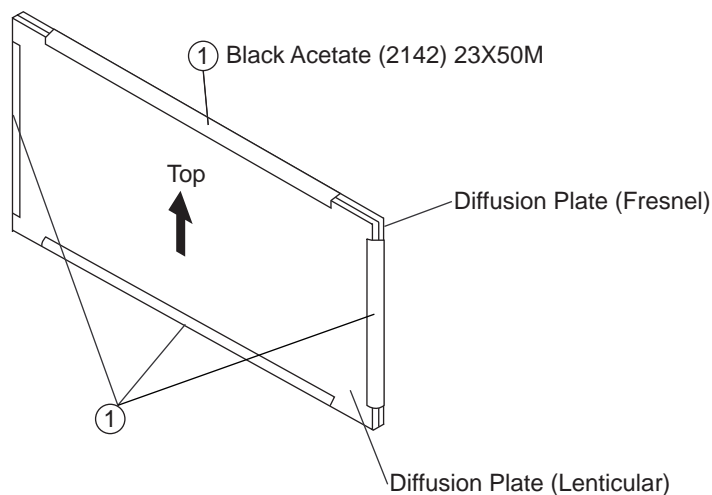


1-19. MIRROR COVER ASSEMBLY, H3 BOARD, AND SPEAKER REMOVAL

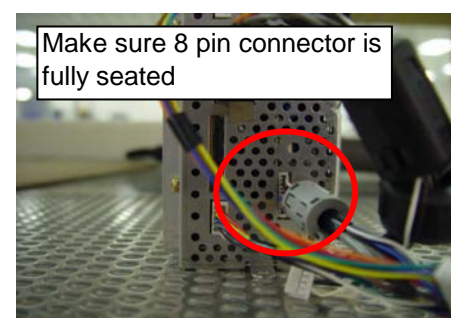
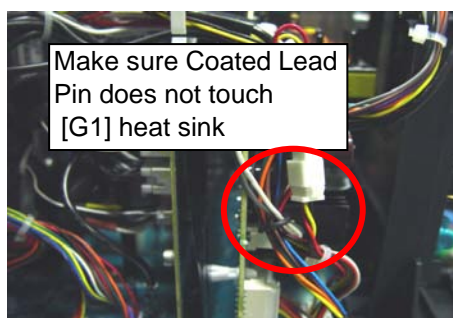
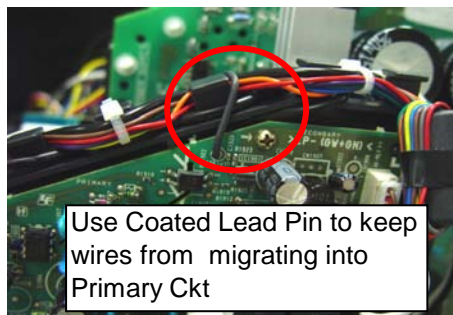
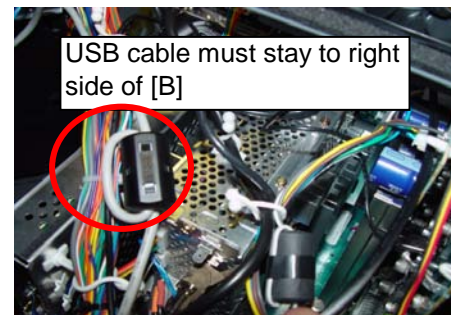
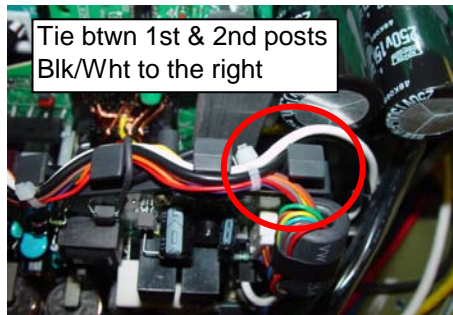
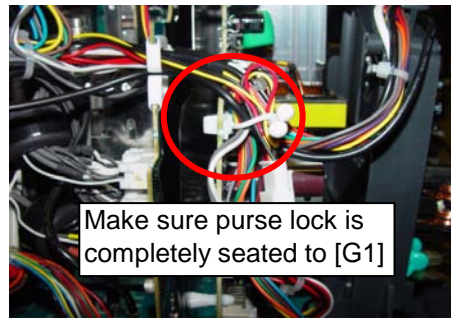


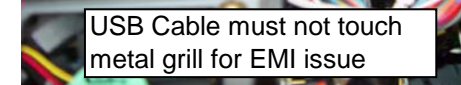
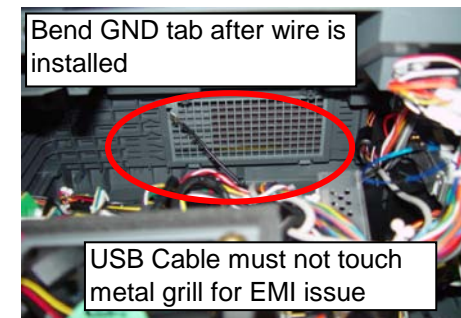
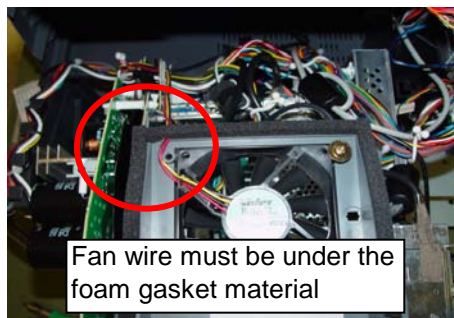
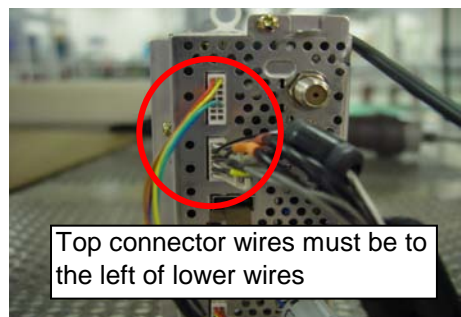
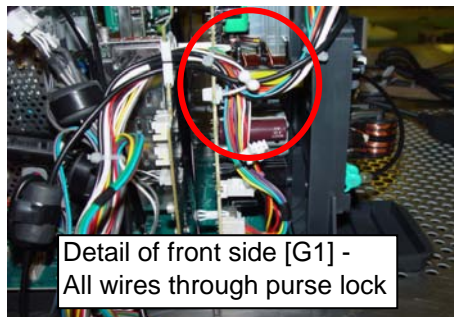
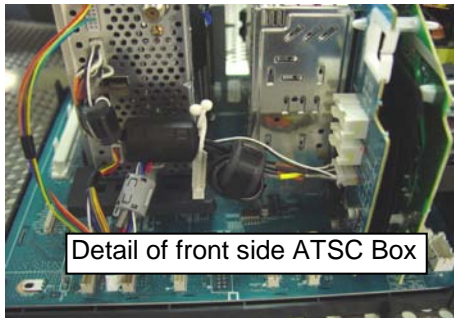
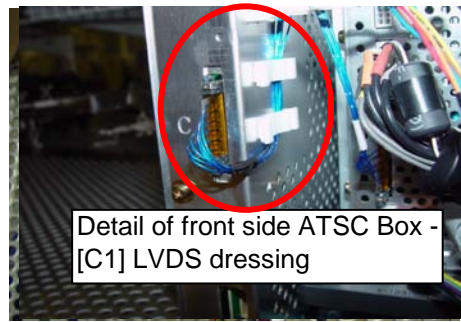
1-19-1.DIFFUSION PLATES (SCREENS) TAPE METHOD

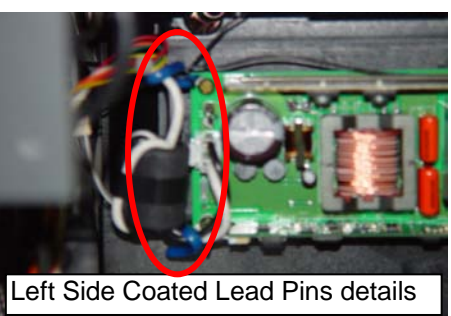
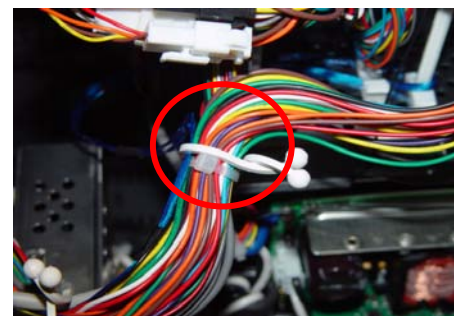
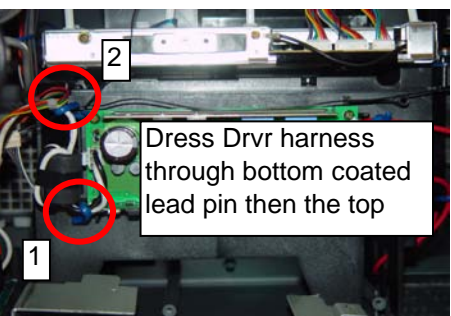
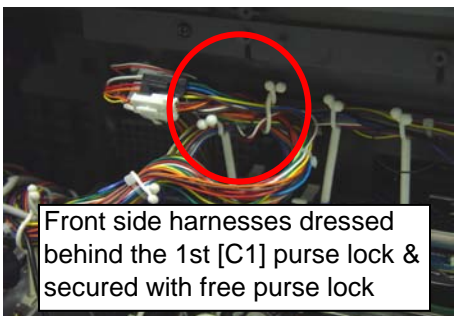
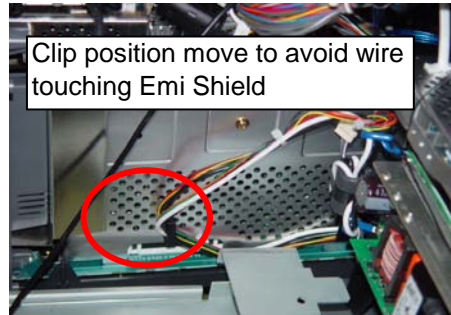
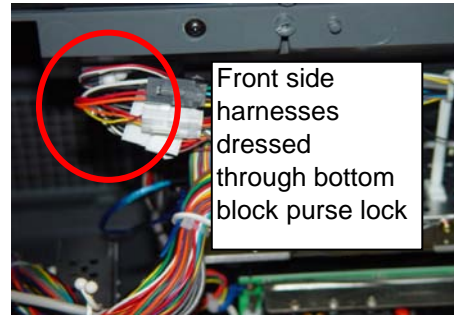
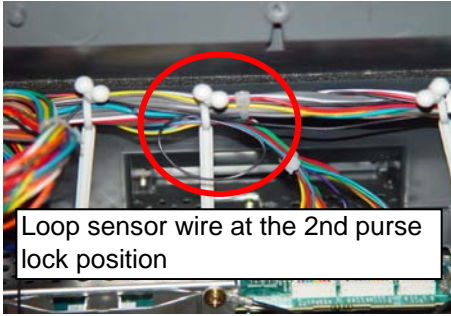
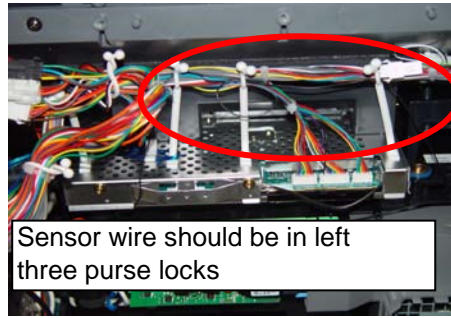
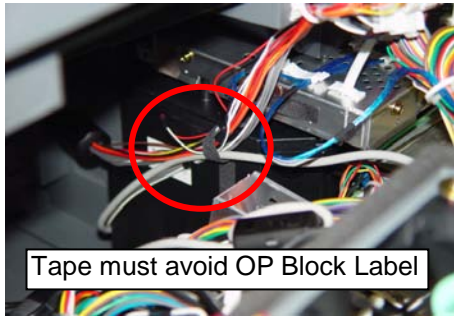
The following diagram illustrates the taping method when replacing the Diffusion Plates. For Part Numbers refer to section 6-1. Cover.

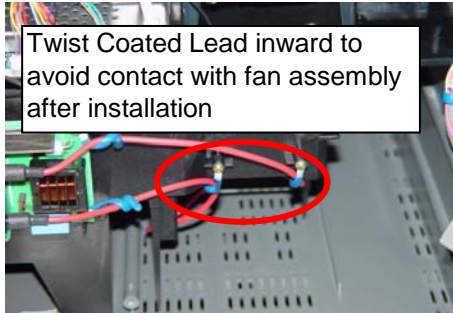
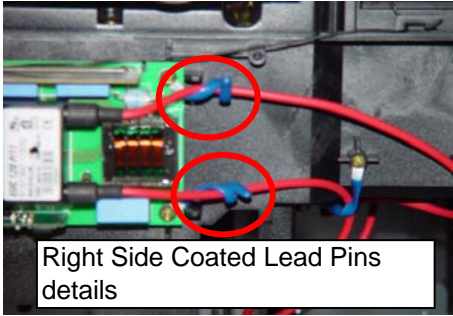


WIRE DRESSING









SECTION 2: CIRCUIT ADJUSTMENTS

2-1. SETTING THE SERVICE ADJUSTMENT MODE

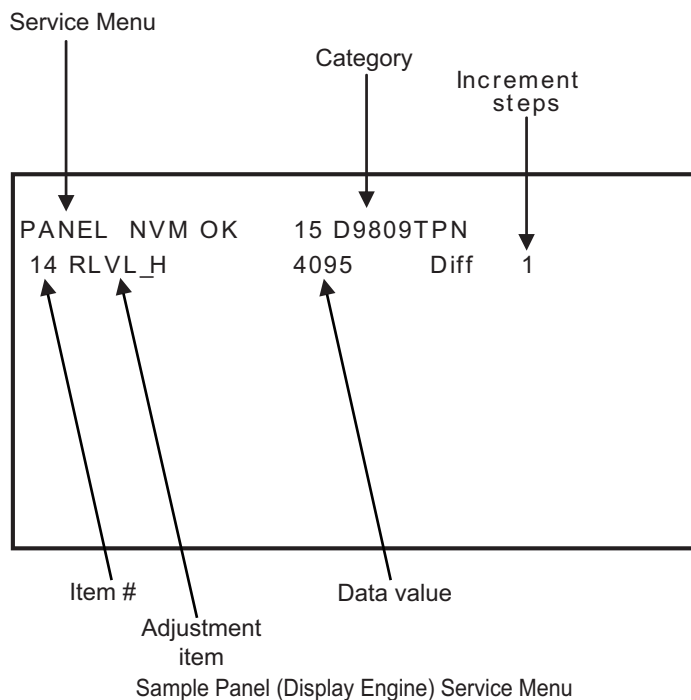
To adjust various set features, use the Remote Commander to put the set into service mode to display the service menus.

- TV must be in standby mode. (Power off).
- Press the following buttons on the Remote Commander within a second of each other:

[DISPLAY] → Channel [5] → Volume [+] → [POWER].

The first service menu (TV) displays.

- To display the service menu that contains the category you want to adjust, press [JUMP] on the Remote Commander. (Refer to Service Menus)



2-2. SERVICE ADJUSTMENT MODE MEMORY

The screen displays the first category in the selected service menu.

- To change the **category**, press [2] or [5] on the Remote Commander.

Note: Pressing [2] or [5] only changes the categories within the service menu displayed. To change a category on one of the other service menus, press the [JUMP] button until the correct service menu is displayed.
- To change the **adjustment item**, press [1] or [4] on the Remote Commander.
- To change the **data value**, press [3] or [6] on the Remote Commander.

Note: To go back to the last saved data value, press [0] then [ENTER] on the Remote Commander to read the memory.
- To write into memory, press [MUTING] then [ENTER] on the Remote Commander.
- To exit service mode, turn the power off.

SERVICE MENUS

(CATEGORIES ONLY)

TV	Q BOX	WEM 2 (WEGA ENGINE)	PANEL (DISPLAY ENGINE)
VERSION	QM	DCP-INT	OP
CXA2209Q	QT	DCP-OSD	A7001R
AP		DCP-BLK	A7001G
DLBY		DCP-ADJ1	A7001B
BUSSW		DCP-ADJ2	GB_RGB
CXA2103		DCP-USER	FAN_CNT1
CXA2163		DCP-AVP	FAN_CNT2
2DCOMB		MID-1-9	TEMP
TELETEXT		SNNR	OSD_E
MSP SIZE		SNSS	OPTION_E
MSPMD		DRCVR	S_MAS_M
MSPSEL		USER-NR	S_MAS_S
MSPFNC		LPFC	J_L004
MSP3714G		CCPM-1 (1-12)	D9809_1
CCPS (1-11)		OVSN	D9809PIC
DELAY (1-2)		OP	D9809TPN
OSD			D9809CUR
CC M			D9809TG1
CC S			D9809 OSD
CC T			D9809HPF
ID			D9809CSC
OPB GA			D9809CGA
OP GA			D9809HUE
OP US			IMG_SHFT
			PROT_CNT

2-3. MEMORY WRITE CONFIRMATION METHOD

1. After completing all adjustments turn the set off with the Remote Commander and **WAIT** for the fans to turn off before proceeding to the next step.

Note: It may take up to two minutes for the fans to stop.

Caution: To avoid over heating the lamp, do not unplug the set until the fans have stopped.

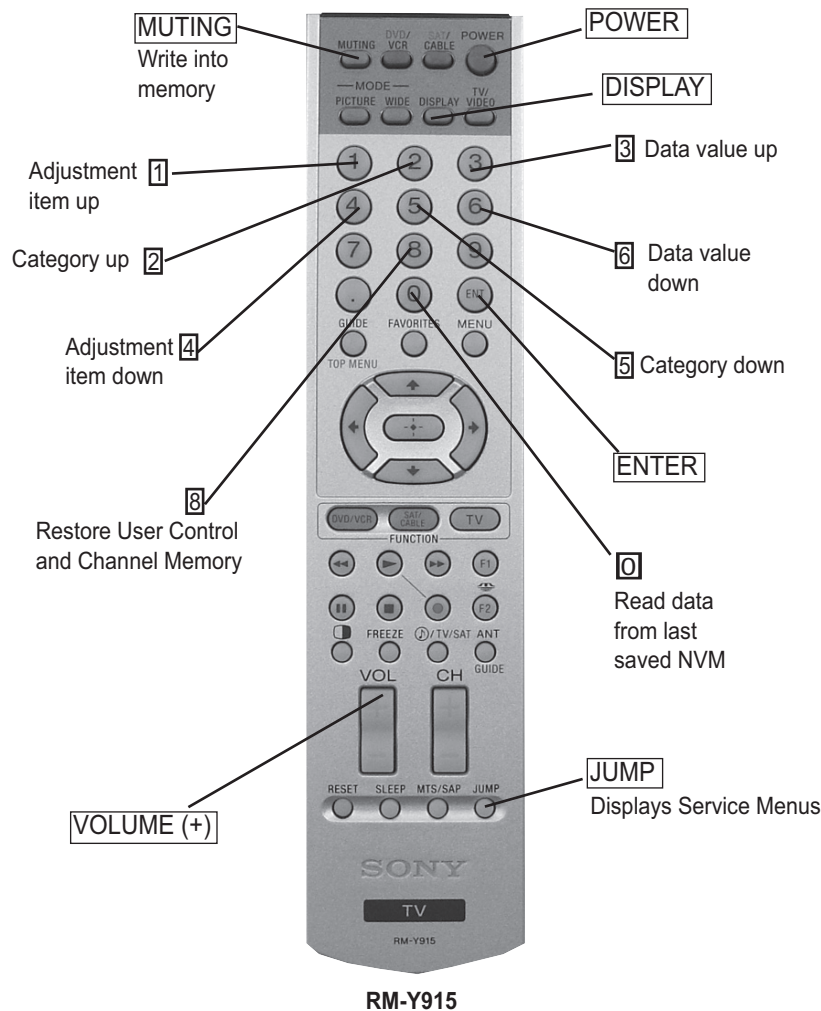
2. After the fans have stopped, unplug the set from the AC outlet, then plug the set back in the AC outlet.

3. To verify the changes repeat steps 2 through 5 from sections 2-1. Setting the Service Adjustment Mode and 2-2. Service Adjustment Mode Memory.

4. To exit service mode, turn the power off.

Note: To restore the User Controls and Channel Memory settings to the preset factory conditions, put the set into service mode (step 2 from 2-1. Setting the Service Adjustment Mode), then press **8 then **ENTER** on the Remote Commander. The set will restart and display the initial setup screen.**

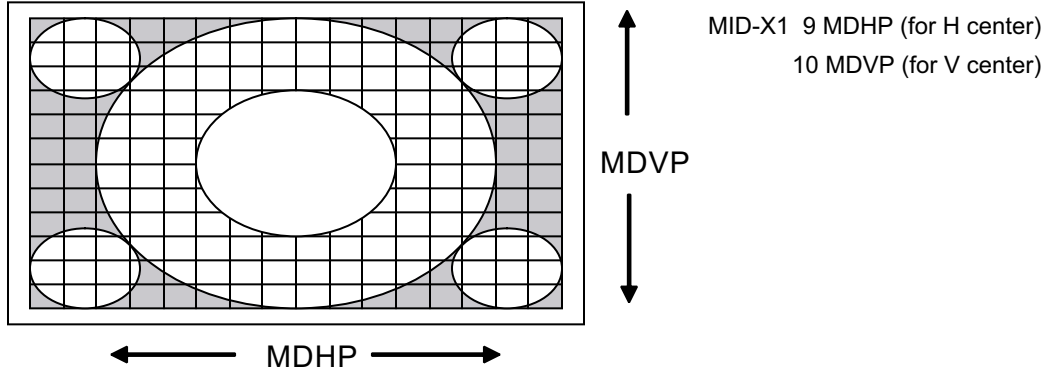
2-4. REMOTE ADJUSTMENT BUTTONS AND INDICATORS



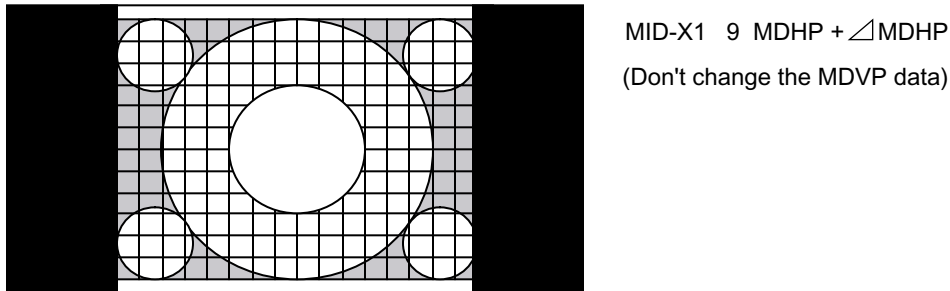
2-5. H/V CENTER CONFIRMATION AND ADJUSTMENTS

Please check the picture horizontal/vertical center after the replacement of the Optics Unit Block Assembly or any part of the Top assembly.

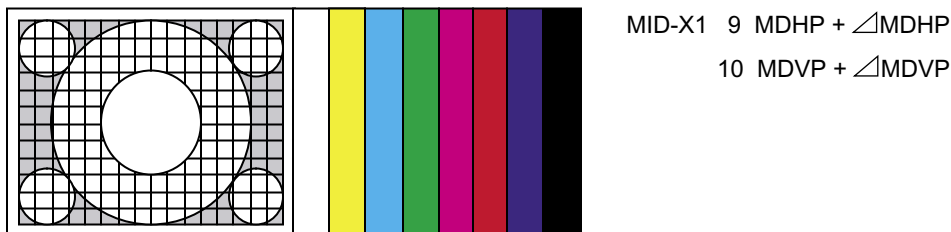
1. Check the H/V center with 480i monoscope signal in "Full" mode.
2. If the center is shifted, adjust using the following service items:
NOTE: Please record the steps shifted as \triangleleft MDHP and \triangleleft MDVP .



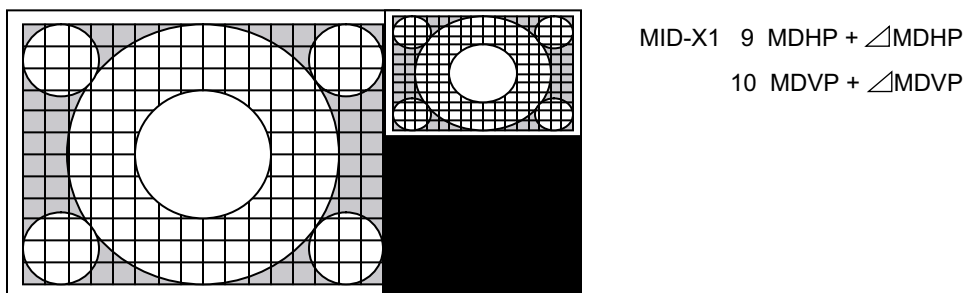
3. Change the WIDE mode to "Normal" and change the register data as follows:



4. Display the Twin Picture with the "split" button of the remote commander and change the registers data as follows:



5. Press "Favorites" button and change the registers data as follows:



6. OSD horizontal position must be adjusted as follows:

If above sum exceeds 255, set 1 to "16 RP1H" and set the "sum-256" to "17 RP1L".

Since the registers are different from other cases, be careful to follow complete instructions, and write the data before changing the display/wide mode .

2-6. SERVICE DATA

Only the Adjustable registers are shown in this data list.

A complete set of the service data, Fixed and Adjustable, can be downloaded at:

http://www-ec.sdp.sel.sony.com/padics/Model_Data_List.htm

Only Sony authorized Service Technician can access this site. To request a complete list of the service data in PDF format please contact the Service Promotion Department at Service_Promotion@am.sony.com.

TV SERVICE DATA

CATEGORY	#	ITEM	DESCRIPTION	CONDITION	SERVICE DATA (dec)				
					55WF655	60WF655		MIN	MAX
CXA2103	4	SCON		RF	8	8		0	15
				CV	8	8		0	15
				YC	8	8		0	15
	5	SCOL		RF	3	3		0	15
				CV	3	3		0	15
				YC	3	3		0	15
	6	SHUE		RF	10	10		0	15
				CV	3	3		0	15
				YC	3	3		0	15

WEGA ENGINE SERVICE DATA

CATEGORY	#	ITEM	DESCRIPTION	CONDITION	SERVICE DATA (dec)				
					55WF655	60WF655		MIN	MAX
DCP_OSD	16	RP1H			0	0		0	15
	17	RP1L			251	251		0	255
DCP_ADJ1	2	SCON		Component-480i	185	185		0	255
				Component-480p	192	192		0	255
				Component-1080i	193	193		0	255
				Component-720p	194	194		0	255
				ATSC-480i	178	178		0	255
				ATSC-480p	182	182		0	255
				ATSC-1080i	183	183		0	255
				ATSC-720p	182	182		0	255
				ATSC-TEXT	183	183		0	255
				HDMI-480i	185	185		0	255
				HDMI-480p	192	192		0	255
				HDMI-1080i	193	193		0	255
				HDMI-720p	194	194		0	255
				HDMI(VGA etc)	192	192		0	255
				MemoryStick(MPEG1)	183	183		0	255
MemoryStick(MPEG2)	183	183		0	255				
MemoryStick(PHOTO)	183	183		0	255				

WEGA ENGINE SERVICE DATA

CATEGORY	#	ITEM	DESCRIPTION	CONDITION	SERVICE DATA (dec)					
					55WF655	60WF655		MIN	MAX	
DCP_ADJ1	11	SCOL		Component-480i	200	200		0	255	
				Component-480p	201	201		0	255	
				Component-1080i	213	213		0	255	
				Component-720p	213	213		0	255	
				ATSC-480i	180	180		0	255	
				ATSC-480p	179	179		0	255	
				ATSC-1080i	178	178		0	255	
				ATSC-720p	189	189		0	255	
				ATSC-TEXT	190	190		0	255	
				HDMI-480i	200	200		0	255	
				HDMI-480p	201	201		0	255	
				HDMI-1080i	213	213		0	255	
				HDMI-720p	213	213		0	255	
				HDMI(VGA etc)	201	201		0	255	
				MemoryStick(MPEG1)	190	190		0	255	
MemoryStick(MPEG2)	190	190		0	255					
MemoryStick(PHOTO)	190	190		0	255					
MID_1	9	MDHP		Panel-0:Normal(SidePanel)	100	100		0	255	
				Panel-0:Window SidePanel	255	255		0	255	
				Panel-0:Twin(Center)	16	16		0	255	
				Panel-0:Favorite	20	20		0	255	
				Panel-0:Other	10	10		0	255	
CCPM_1	20	CVYL		Single:UV	183	183		0	255	
				Single:Video	193	193		0	255	
				UV(Twin/Favorite/Index)	171	171		0	255	
				Video(Twin/Favorite/Index)	171	171		0	255	
	21	CVCL			Single:UV	128	128		0	255
					Single:Video	133	133		0	255
					UV(Twin/Favorite/Index)	136	136		0	255
					Video(Twin/Favorite/Index)	136	136		0	255
	26	SHUE			Single:UV	32	32		0	63
					UV(Twin/Favorite/Index)	32	32		0	63

LCD ENGINE SERVICE DATA

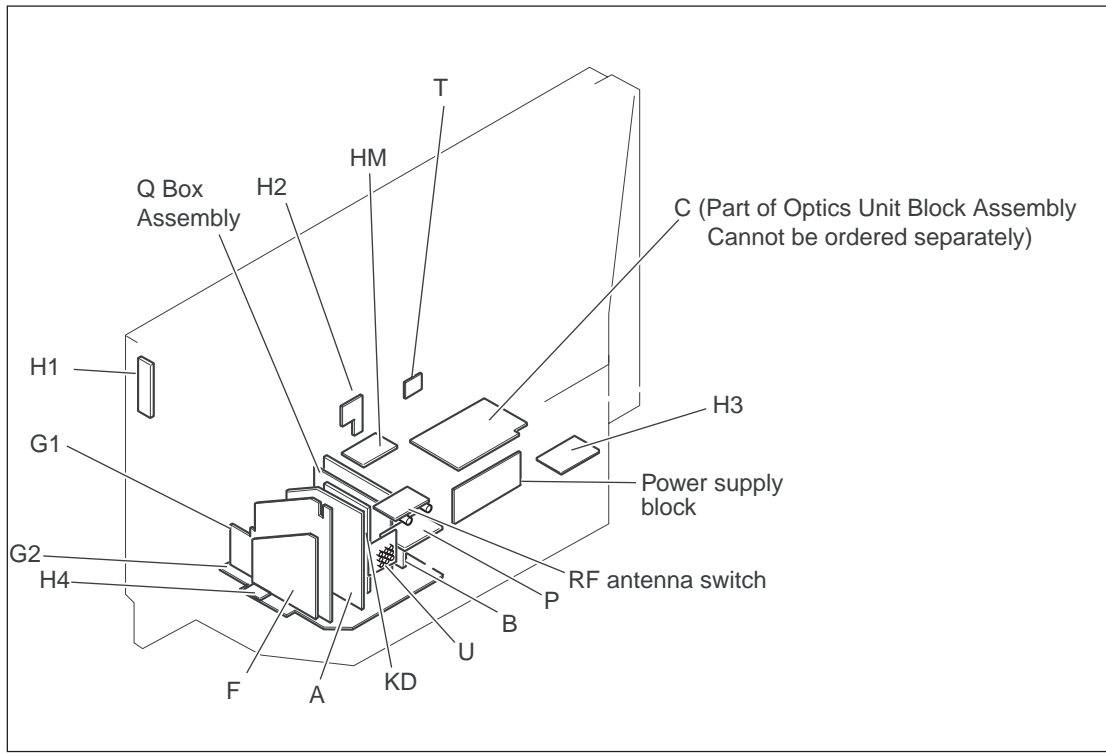
CATEGORY	#	ITEM	DESCRIPTION	CONDITION	SERVICE DATA (dec)					
					55WF655	60WF655		MIN	MAX	
A7001R	0	RGAINA			204	204		0	255	
	1	RGAINB			32	32		0	63	
	2	ROFSETA			165	165		0	255	
	3	ROFSETB			32	32		0	63	
	6	RVCOM			47	47		0	63	
	7	RSIDLVL			8	8		0	15	
	A7001G	0	GGAINA			190	190		0	255
1		GGAINB			32	32		0	63	
2		GOFSETA			146	146		0	255	
3		GOFSETB			32	32		0	63	
6		GVCOM			46	46		0	63	
7		GSIDLVL			8	8		0	15	
A7001B		0	BGAINA			179	179		0	255
	1	BGAINB			32	32		0	63	
	2	BOFSETA			125	125		0	255	
	3	BOFSETB			32	32		0	63	
	6	BVCOM			42	42		0	63	
	7	BSIDLVL			8	8		0	15	
	D9809PIC	0	CNTRAST			165	165		0	255
1		SCON			32	32		0	127	
2		BRT			220	220		0	255	
3		SBRT			192	192		0	255	
4		RGAIN			128	128		0	255	
5		GGAIN			128	128		0	255	
6		BGAIN			128	128		0	255	
7		RBIAS			0	0		0	255	
8		GBIAS			0	0		0	255	
9		BBIAS			0	0		0	255	
10		USC_ON			1	1		0	1	
11		BLK_LEF		pawn_pic3_normal		0	0		0	2047
				pawn_pic3_wide		0	0		0	2047
12		BLK_RGT		pawn_pic3_normal		0	0		0	2047
				pawn_pic3_wide		0	0		0	2047
13		BLK_TOP				0	0		0	2047
14		BLK_BTM				0	0		0	2047
15	BLK_LVL				0	0		0	63	
16	INBLKON				0	0		0	1	
17	OBLK_ON				0	0		0	1	

2-7. ID MAP TABLE

Model	ID-0	ID-1	ID-2	ID-3	ID-4	ID-5	ID-6	ID-7	ID-8
KDF-55WF655	19	1	239	107	0	99	54	31	10
KDF-60WF655	19	1	239	107	0	99	54	31	10

SECTION 3: DIAGRAMS

3-1. CIRCUIT BOARDS LOCATION



3-2. PRINTED WIRING BOARDS AND SCHEMATIC DIAGRAMS INFORMATION

All capacitors are in μF unless otherwise noted. pF : μF 50WV or less are not indicated except for electrolytics and tantalums.

All electrolytics are in 50V unless otherwise specified.


All resistors are in ohms. $\text{k}\Omega=1000\Omega$, $\text{M}\Omega=1000\text{k}\Omega$


Indication of resistance, which does not have one for rating electrical power, is as follows: Pitch : 5mm
Rating electrical power : $\frac{1}{4}$ W

$\frac{1}{4}$ W in resistance, $\frac{1}{10}$ W and $\frac{1}{16}$ W in chip resistance.

 : nonflammable resistor

 : fusible resistor

 : internal component

 : panel designation and adjustment for repair

 : earth ground

 : earth-chassis

All variable and adjustable resistors have characteristic curve B, unless otherwise noted.

Readings are taken with a color-bar signal input.

Readings are taken with a $10\text{M}\Omega$ digital multimeter.

Voltages are DC with respect to ground unless otherwise noted.

Voltage variations may be noted due to normal production tolerances.

All voltages are in V.


S : Measurement impossibility.

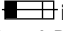
 : B+line.


 : B-line. (Actual measured value may be different).


 : signal path. (RF)

Circled numbers are waveform references.

The components identified by shading and  symbol are critical for safety. Replace only with part number specified.

The symbol  indicates a fast operating fuse and is displayed on the component side of the board. Replace only with fuse of the same rating as marked.

Les composants identifiés par un trame et une marque  sont critiques pour la sécurité. Ne les remplacer que par une pièce portant le numéro spécifié.

Le symbole  indique une fusible à action rapide. Doit être remplacé par une fusible de même valeur, comme marqué.

REFERENCE INFORMATION

RESISTOR

- : RN METAL FILM
- : RC SOLID
- : FPRD NONFLAMMABLE CARBON
- : FUSE NONFLAMMABLE FUSIBLE
- : RW NONFLAMMABLE WIREWOUND
- : RS NONFLAMMABLE METAL OXIDE
- : RB NONFLAMMABLE CEMENT
- : ※ ADJUSTMENT RESISTOR

COIL

- : LF-8L MICRO INDUCTOR

CAPACITOR

- : TA TANTALUM
- : PS STYROL
- : PP POLYPROPYLENE
- : PT MYLAR
- : MPS METALIZED POLYESTER
- : MPP METALIZED POLYPROPYLENE
- : ALB BIPOLAR
- : ALT HIGH TEMPERATURE
- : ALR HIGH RIPPLE

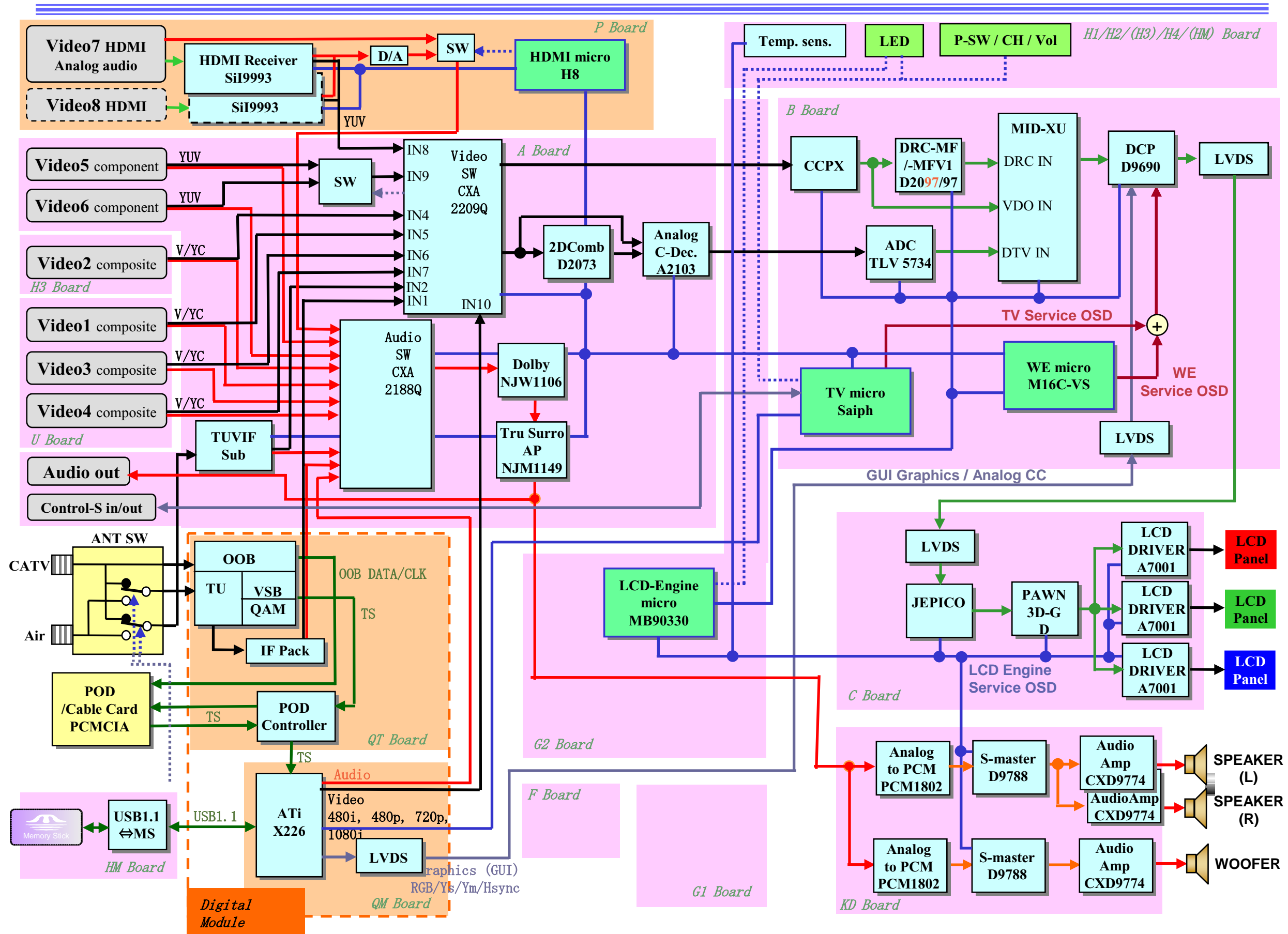
Terminal name of semiconductors in silk screen printed circuit (※)

	Device	Printed symbol	Terminal name	Circuit
①	Transistor		Collector Base Emitter	
②	Transistor		Collector Base Emitter	
③	Diode		Cathode Anode	
④	Diode		Cathode Anode (NC)	
⑤	Diode		Cathode Anode (NC)	
⑥	Diode		Common Anode Cathode	
⑦	Diode		Common Anode Cathode	
⑧	Diode		Common Anode Anode	
⑨	Diode		Common Anode Anode	
⑩	Diode		Common Cathode Cathode	
⑪	Diode		Common Cathode Cathode	
⑫	Diode		Anode Anode Cathode Cathode	
⑬	Transistor (FET)		Drain Source Gate	
⑭	Transistor (FET)		Drain Source Gate	
⑮	Transistor (FET)		Source Drain Gate	
⑯	Transistor		Emitter Collector Base	
⑰	Transistor		C2 B1 E1 E2 B2 C1	
⑱	Transistor		C1 B2 E2 E1 B1 C2	
⑲	Transistor		C1 B2 E2 E1 B1 C2	
⑳	Transistor		C1 B2 E2 E1 B1 C2	
㉑	Transistor		E2 B1 E1 C2 C1(B2)	
㉒	Transistor		(B2) B1 E1 E2 C1 C2	
㉓	Transistor		(B2) E2 E1 B1 C2 C1	
—	Discrete semiconductor			

(Chip semiconductors that are not actually used are included.)

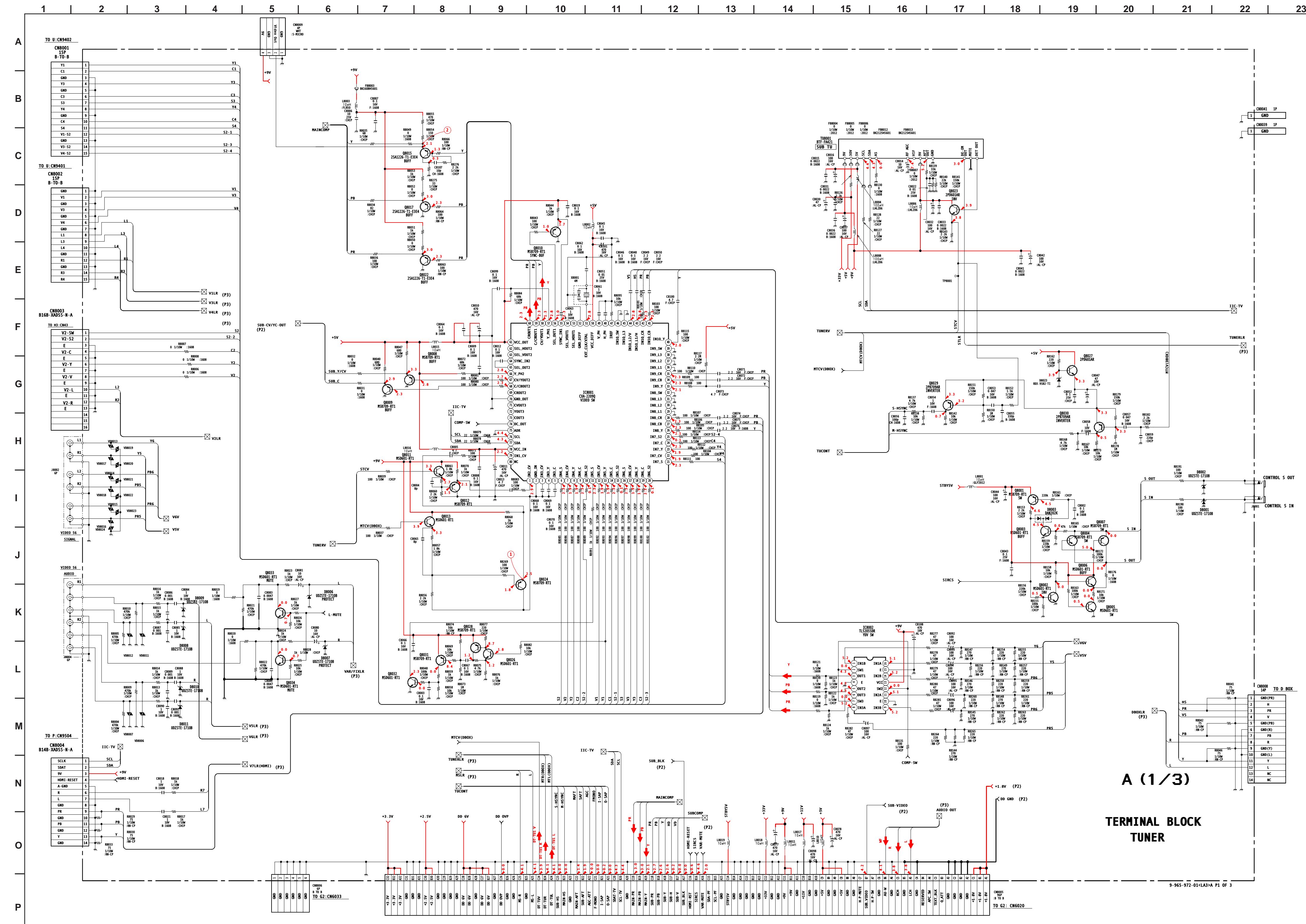
Ver.1.5

3-3. BLOCK DIAGRAM

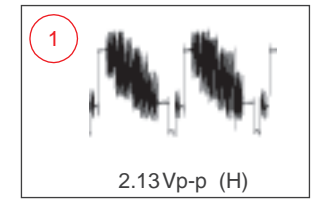
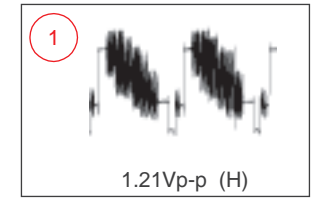


3-4. SCHEMATICS AND SUPPORTING INFORMATION

A BOARD SCHEMATIC DIAGRAM (1 OF 3)



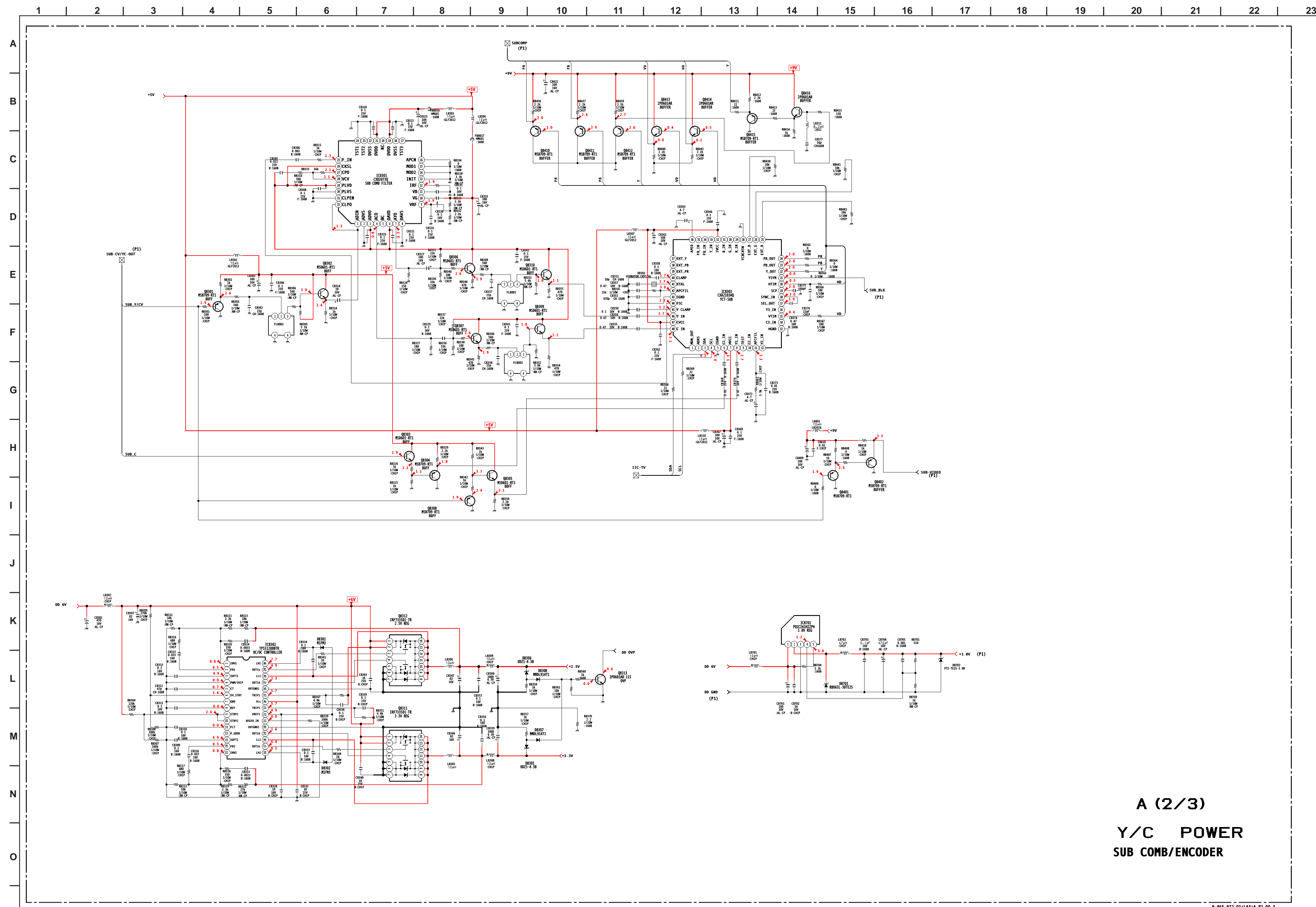
A BOARD WAVEFORMS



A (1/3)

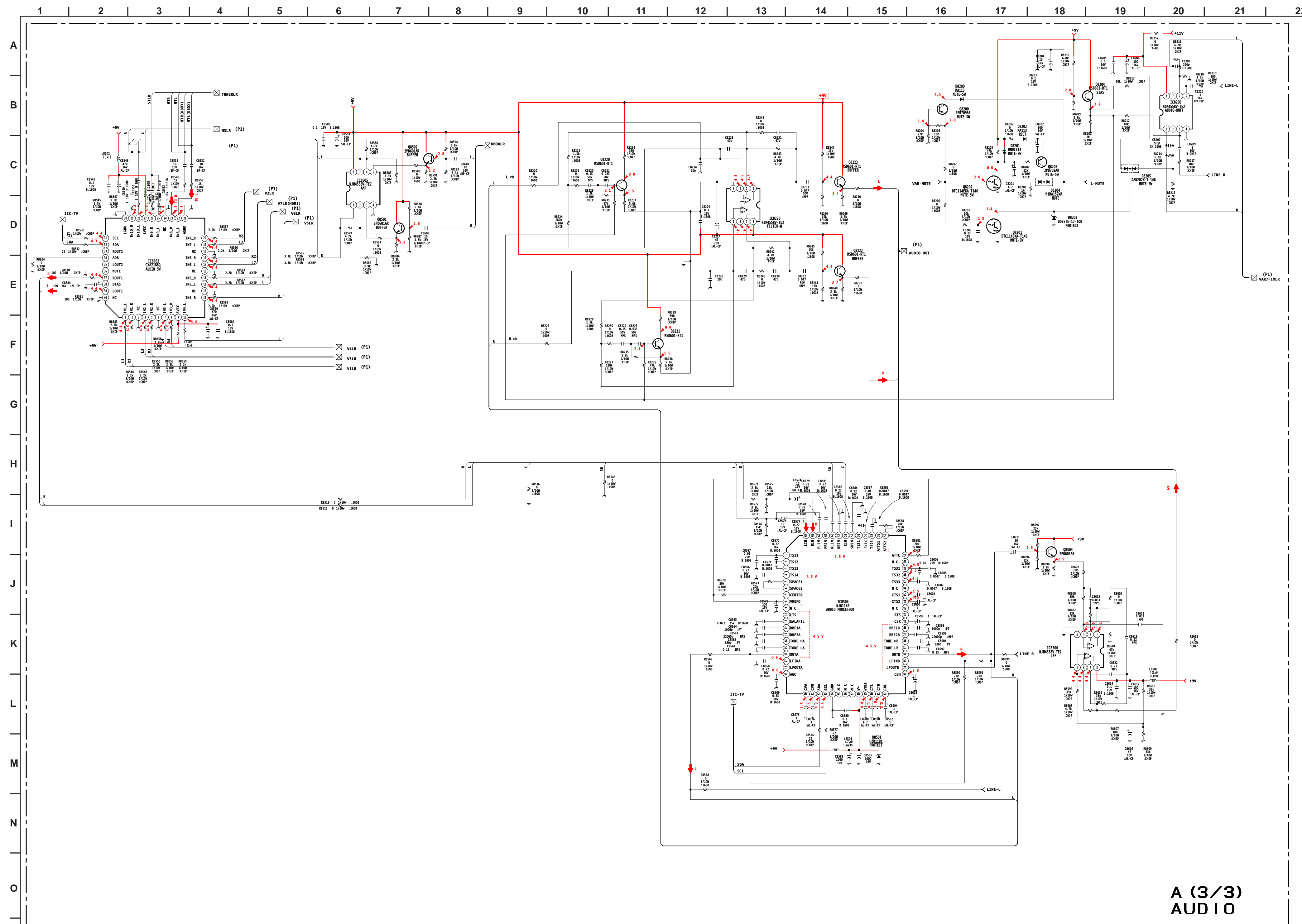
TERMINAL BLOCK TUNER

A BOARD SCHEMATIC DIAGRAM (2 OF 3)



A (2/3)
Y/C POWER
SUB COMB/ENCODER

A BOARD SCHEMATIC DIAGRAM (3 OF 3)



A (3/3)
AUDIO

9-965-972-01-CL37A P3 OF 3



[TERMINAL BLOCK, TUNER, Y/C POWER, SUB COMB/ENCODER, AUDIO]

COMPONENT SIDE

A BOARD LOCATOR LIST COMPONENT SIDE

DIODE		IC		TRANSISTOR	
D8200	D-2	IC8001	F-5	Q8003	H-1
D8301	H-2	IC8002	F-2	Q8004	H-1
D8302	H-3	IC8200	C-1	Q8005	H-2
D8501	B-3	IC8220	B-3	Q8006	H-1
D8701	H-8	IC8301	B-5	Q8007	H-1
D8702	H-9	IC8302	H-2	Q8008	F-5
		IC8303	D-4	Q8009	F-5
		IC8502	F-2	Q8010	G-4
		IC8504	B-1	Q8204	D-1
		IC8505	G-3	Q8301	C-4
		IC8506	A-4	Q8302	C-5
		IC8701	H-9	Q8305	C-4
				Q8306	C-6
				Q8307	C-6
				Q8308	D-4
				Q8309	D-4
				Q8310	D-5
				Q8311	H-3
				Q8312	H-2
				Q8401	H-9
				Q8402	H-9
				Q8410	E-3
				Q8411	E-3
				Q8412	E-3
				Q8413	E-3
				Q8414	E-3



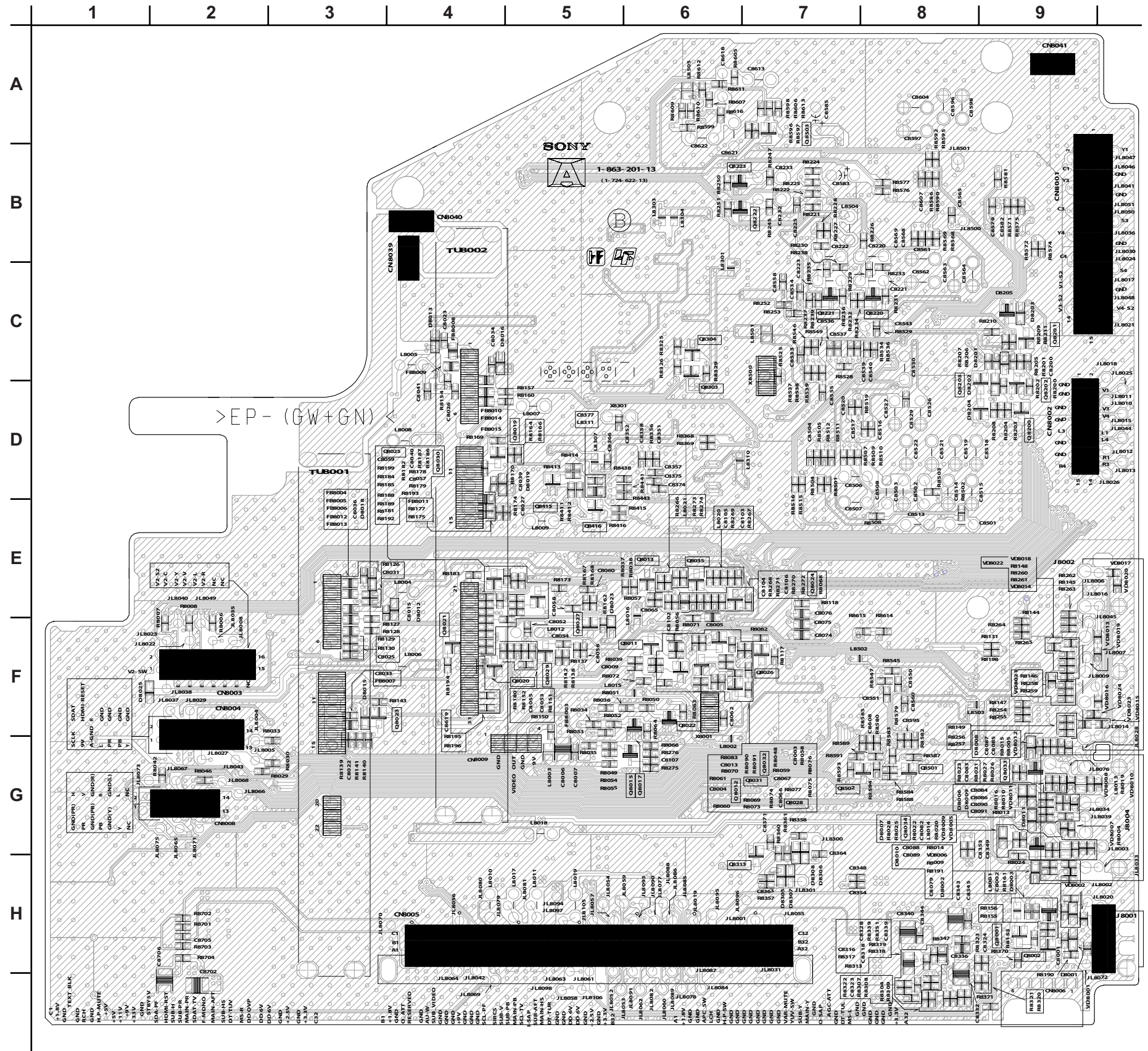
A

[TERMINAL BLOCK, TUNER, Y/C POWER, SUB COMB/ENCODER, AUDIO]

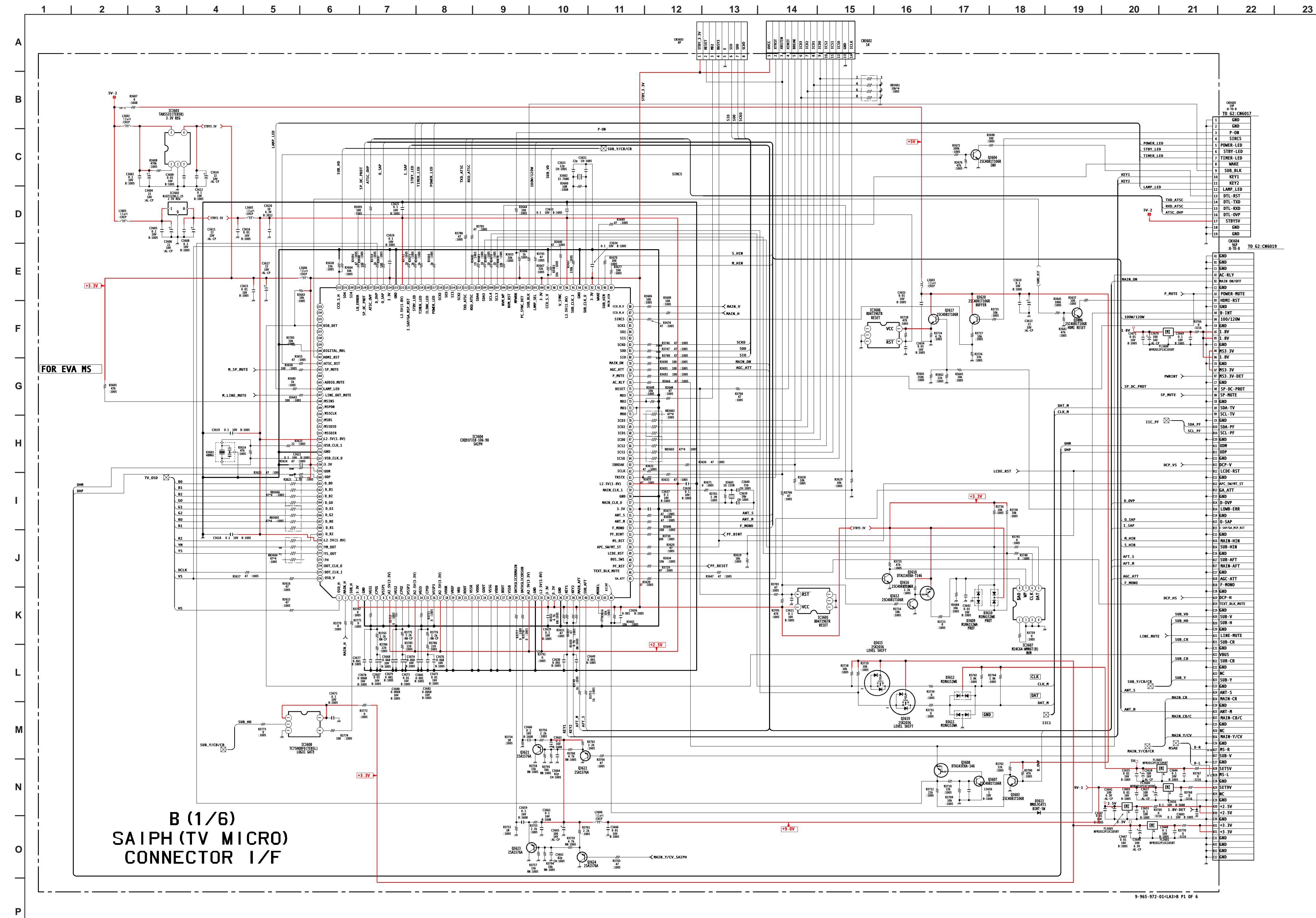
CONDUCTOR SIDE

A BOARD LOCATOR LIST CONDUCTOR SIDE

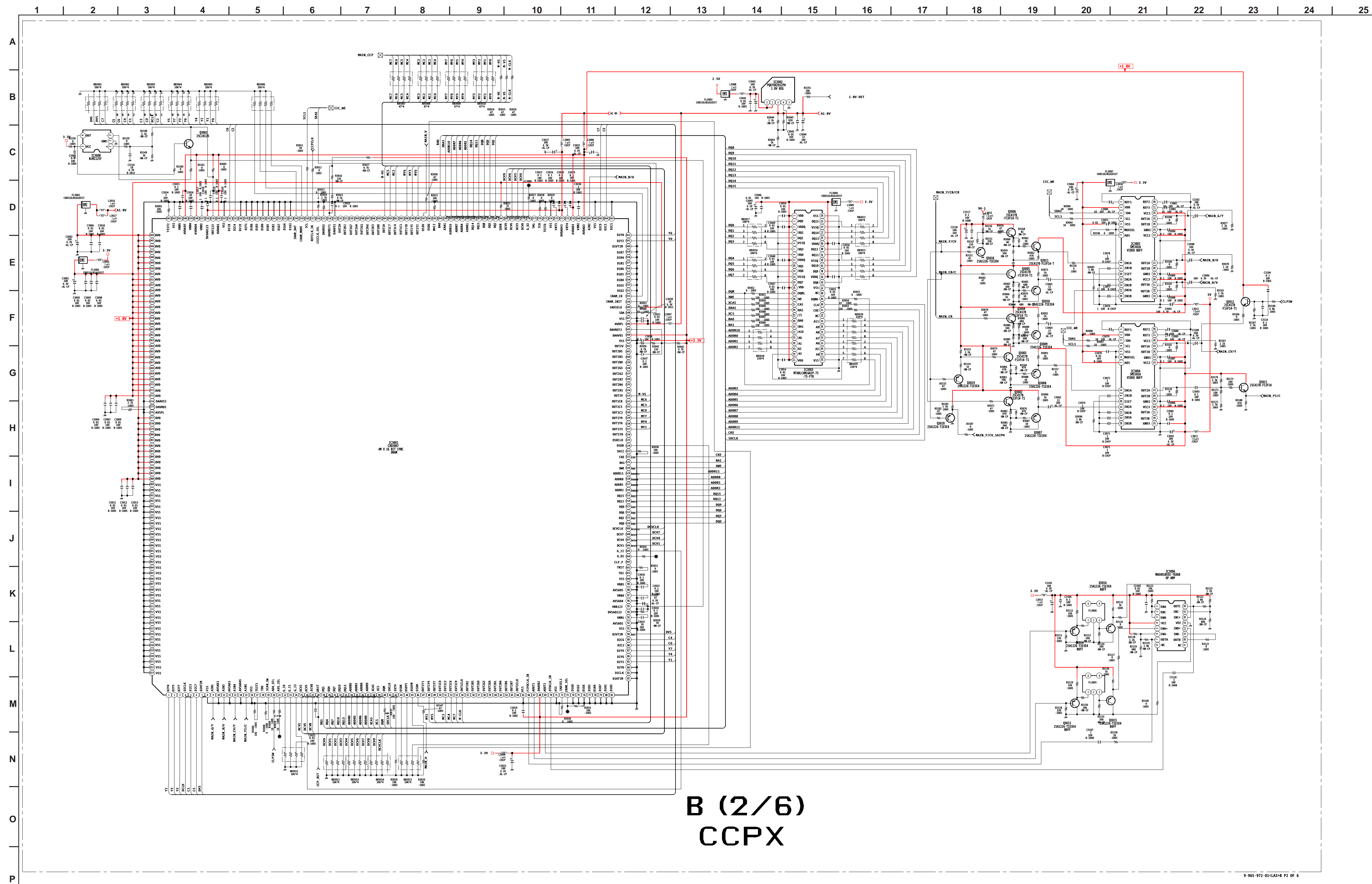
DIODE		TRANSISTOR	
D8001	H-9	Q8001	H-9
D8002	H-9	Q8002	H-9
D8003	H-9	Q8011	F-6
D8006	G-8	Q8012	G-6
D8007	G-8	Q8013	E-6
D8008	G-9	Q8015	G-6
D8009	G-8	Q8017	G-6
D8010	H-8	Q8022	F-6
D8011	G-9	Q8023	F-4
D8023	E-5	Q8024	E-7
D8201	C-8	Q8026	F-7
D8202	C-8	Q8027	F-5
D8203	C-9	Q8028	G-7
D8204	D-8	Q8029	F-5
D8205	C-9	Q8030	D-4
D8305	H-7	Q8031	G-7
D8306	H-7	Q8032	G-7
D8307	H-7	Q8033	G-9
D8308	H-7	Q8034	G-8
		Q8200	D-9
		Q8201	C-9
		Q8202	D-9
		Q8203	C-8
		Q8220	C-8
		Q8221	C-7
		Q8222	B-7
		Q8223	B-6
		Q8303	D-6
		Q8304	C-6
		Q8313	H-6
		Q8415	E-5
		Q8416	E-5
		Q8501	G-8
		Q8502	G-7
		Q8503	A-7



B BOARD SCHEMATIC DIAGRAM (1 OF 6)

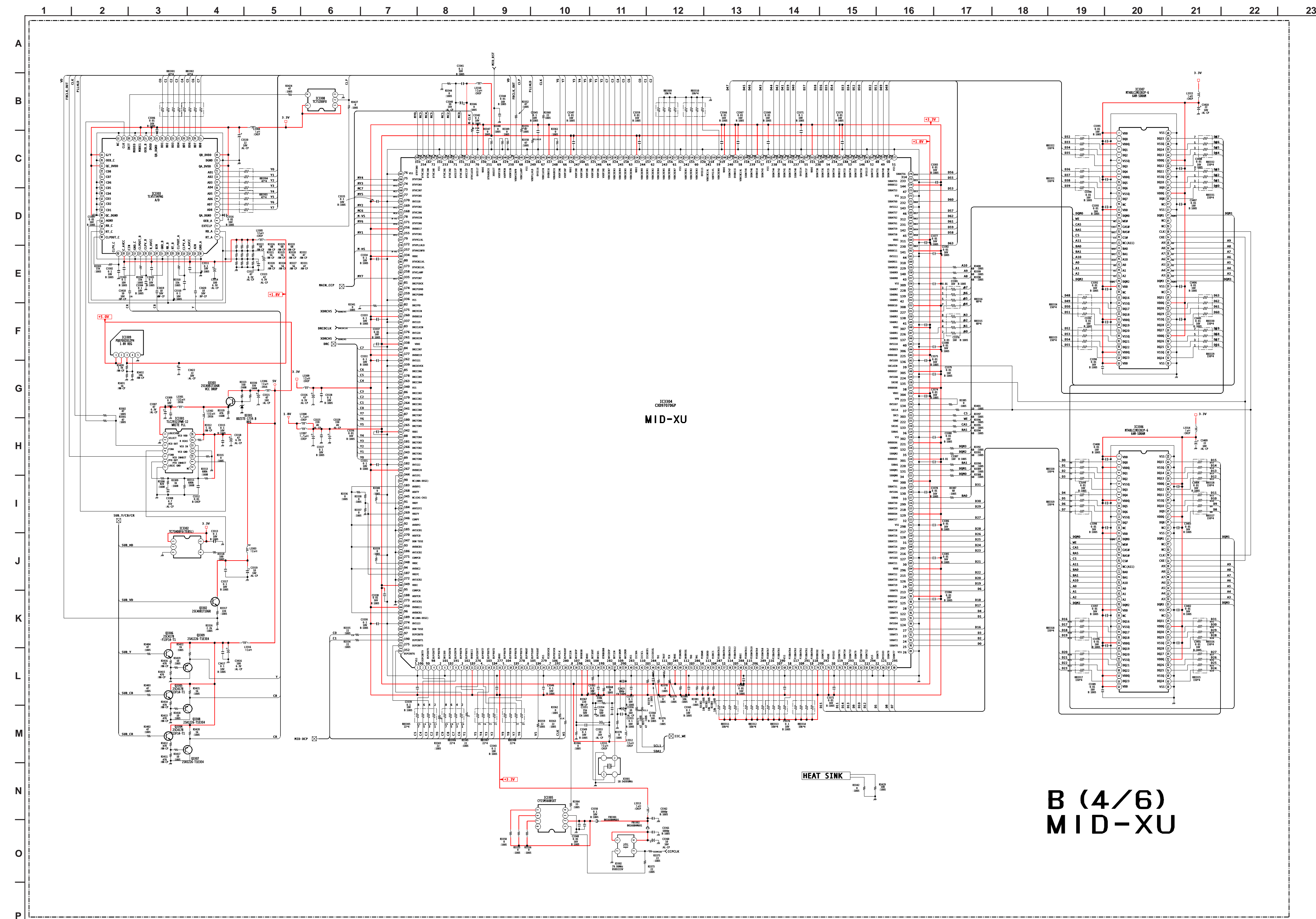


B BOARD SCHEMATIC DIAGRAM (2 OF 6)



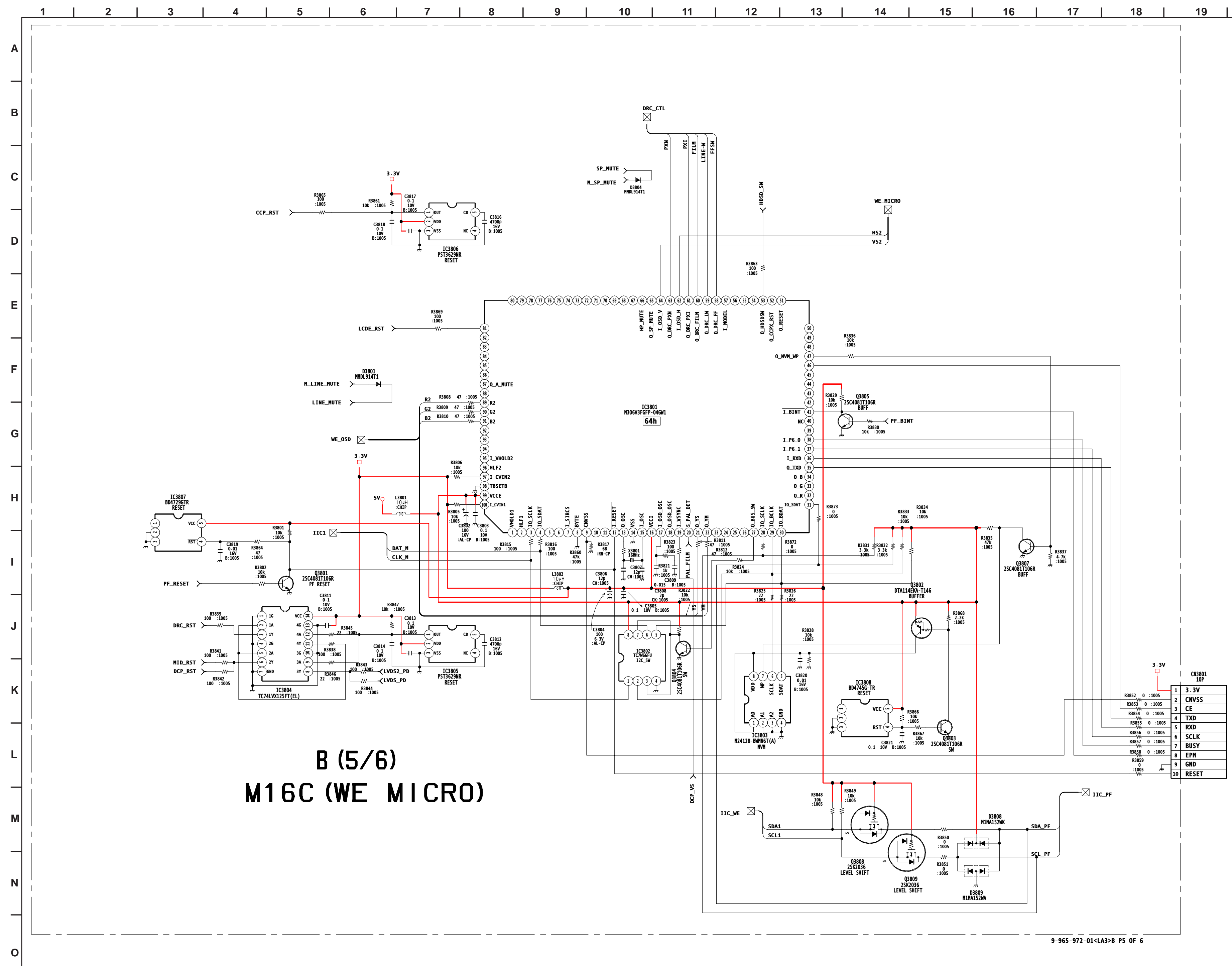
B (2/6)
CCPX

B BOARD SCHEMATIC DIAGRAM (4 OF 6)



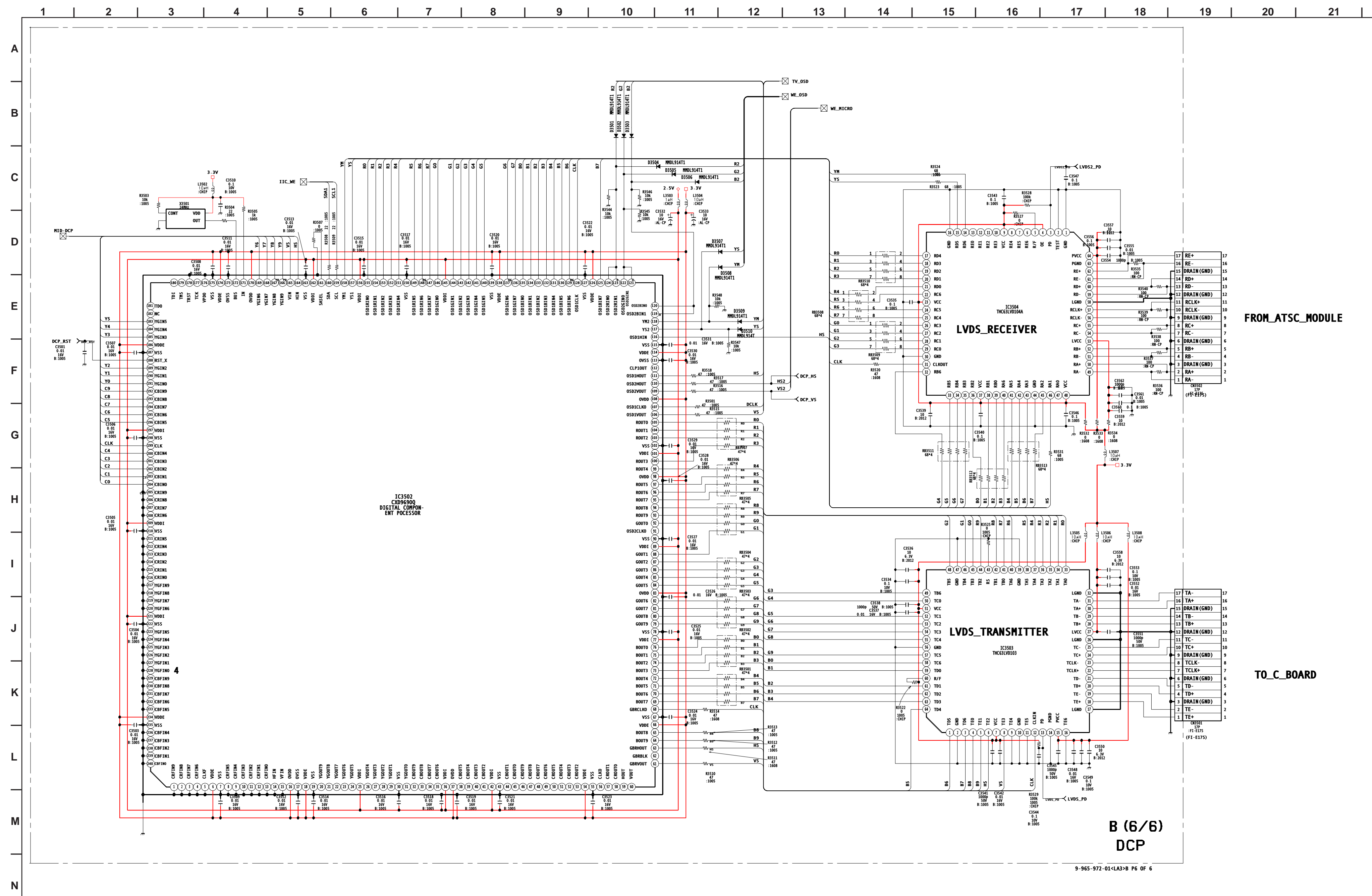
B (4/6)
MID-XU

B BOARD SCHEMATIC DIAGRAM (5 OF 6)



9-965-972-01<LA3>B P5 OF 6

B BOARD SCHEMATIC DIAGRAM (6 OF 6)



FROM_ATSC_MODULE

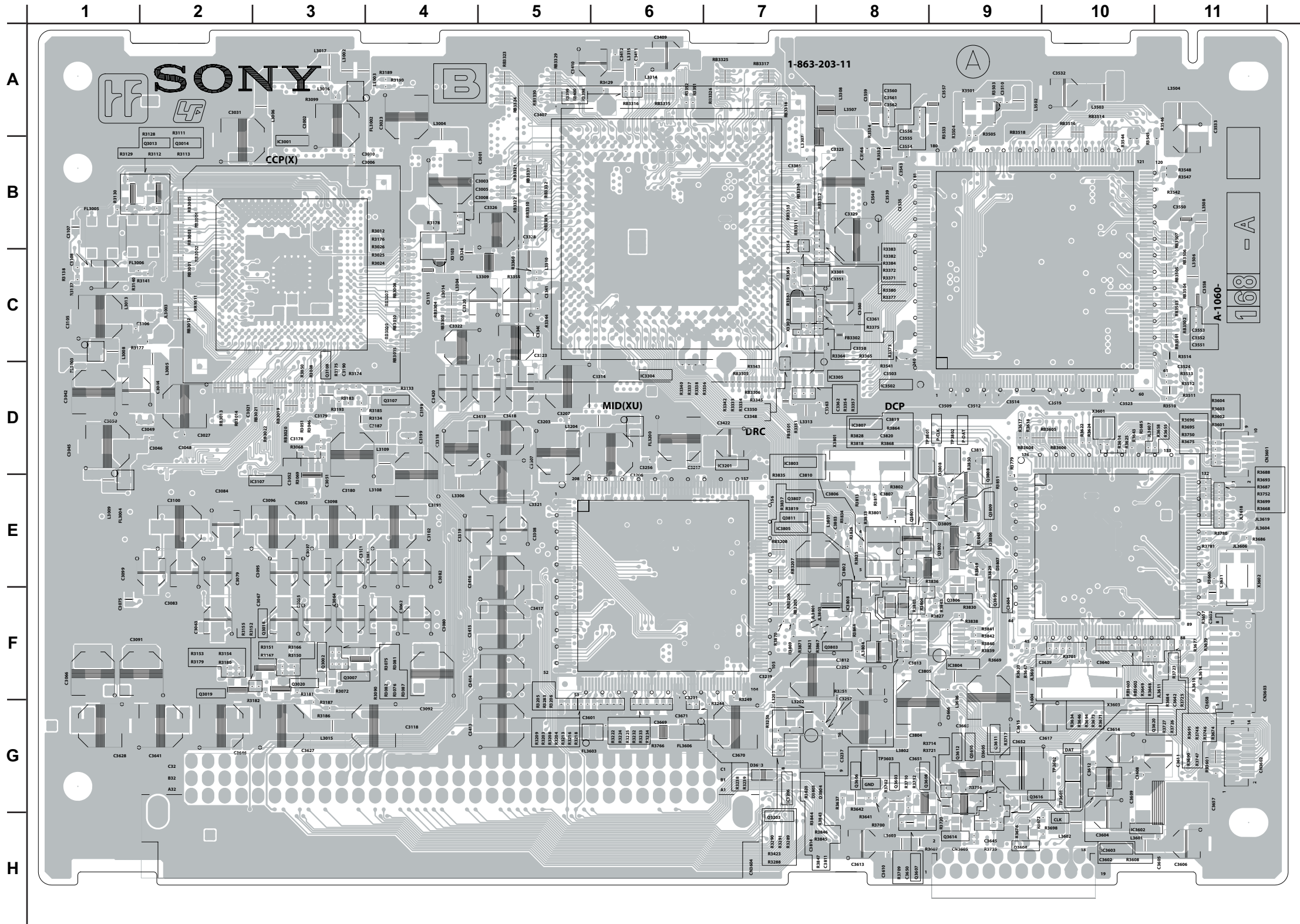
TO_C_BOARD

B (6/6)
DCP

B

[SAIPH (TV MICRO) CONNECTOR I/F, CCPX, DRC-MF (V1), MID-XU, M16C (WE MICRO), DCP]

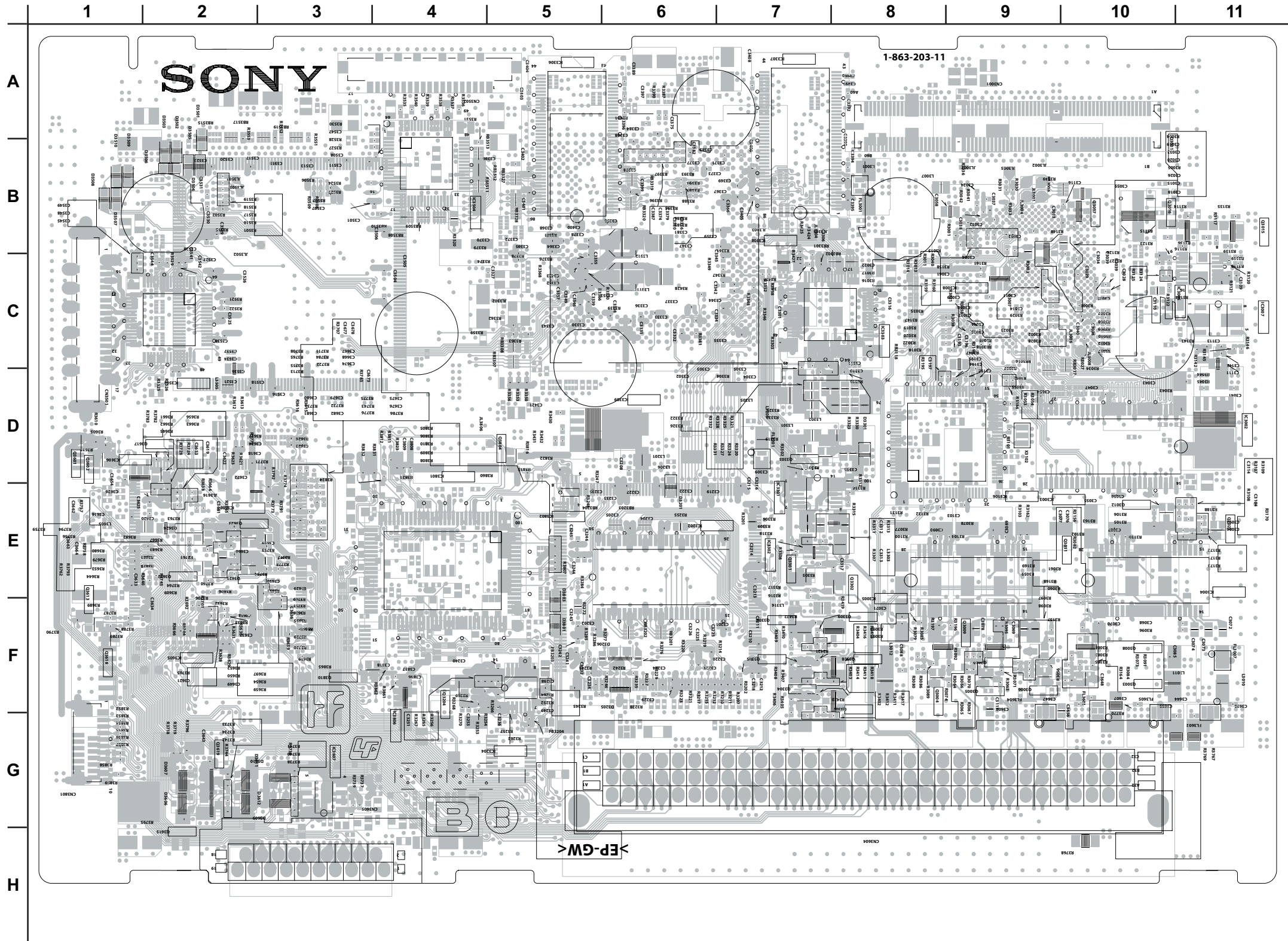
COMPONENT SIDE



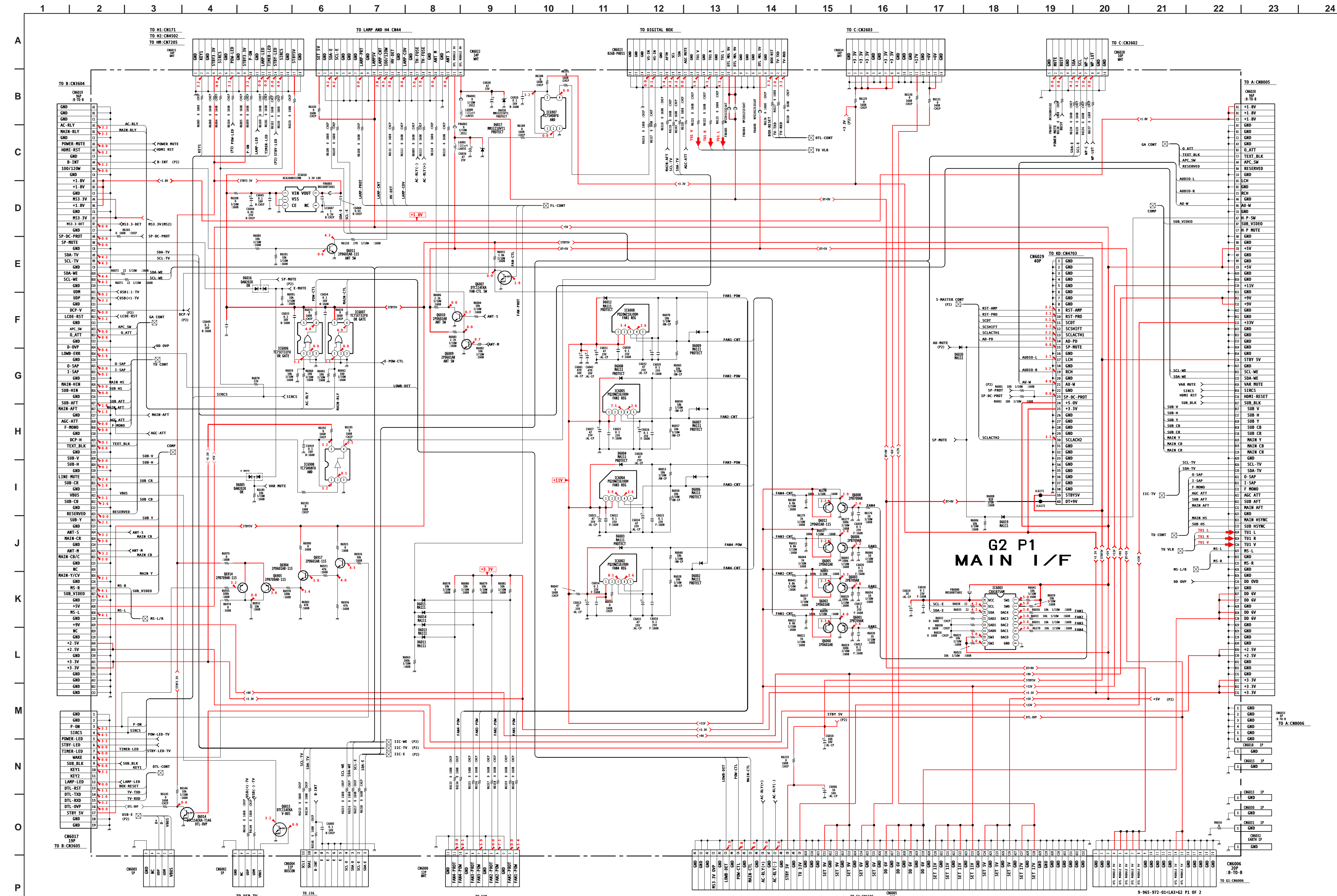
B

[SAIPH (TV MICRO) CONNECTOR I/F, CCPX, DRC-MF (V1), MID-XU, M16C (WE MICRO), DCP]

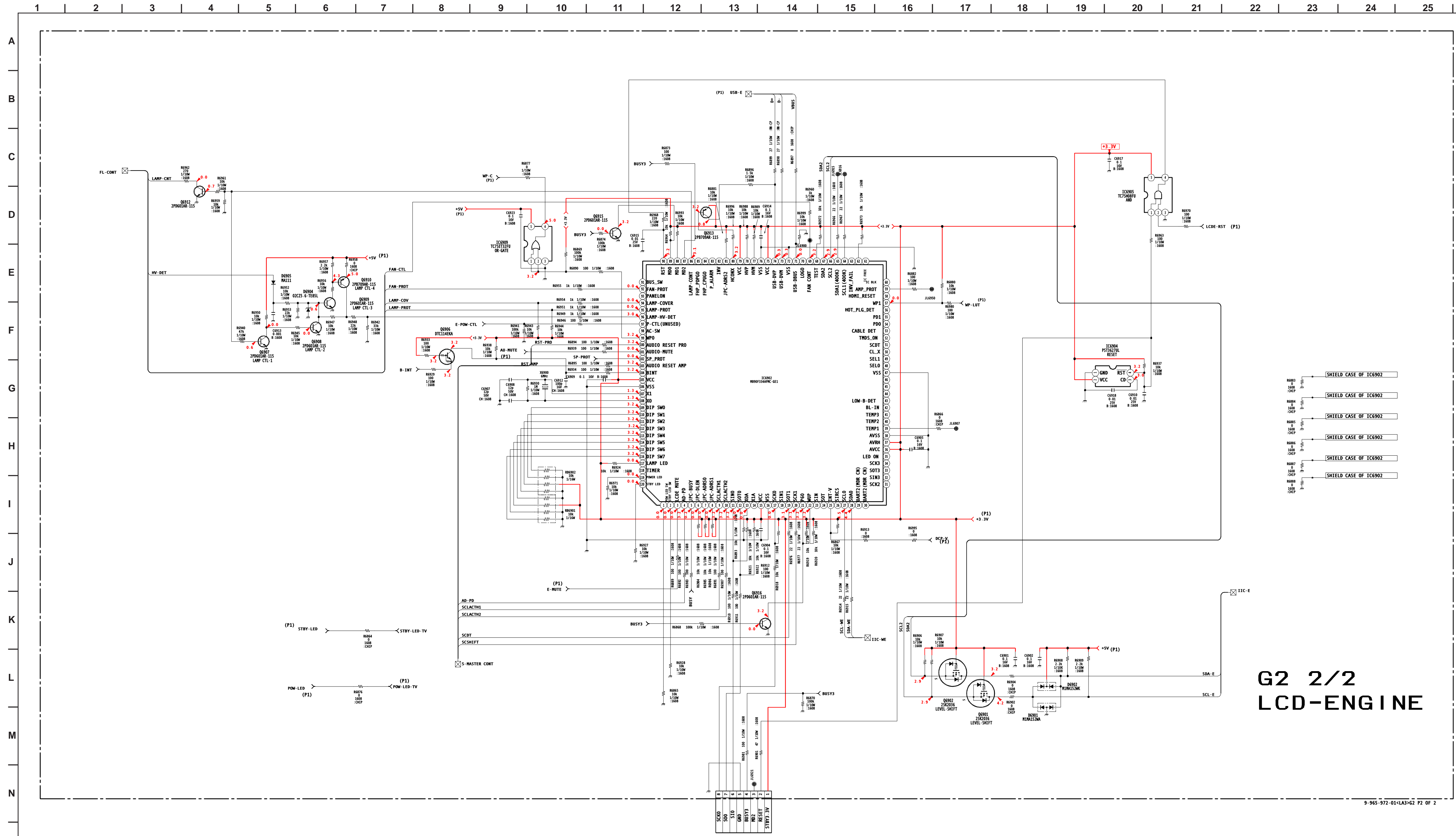
CONDUCTOR SIDE



G2 BOARD SCHEMATIC DIAGRAM (1 OF 2)



G2 BOARD SCHEMATIC DIAGRAM (2 OF 2)

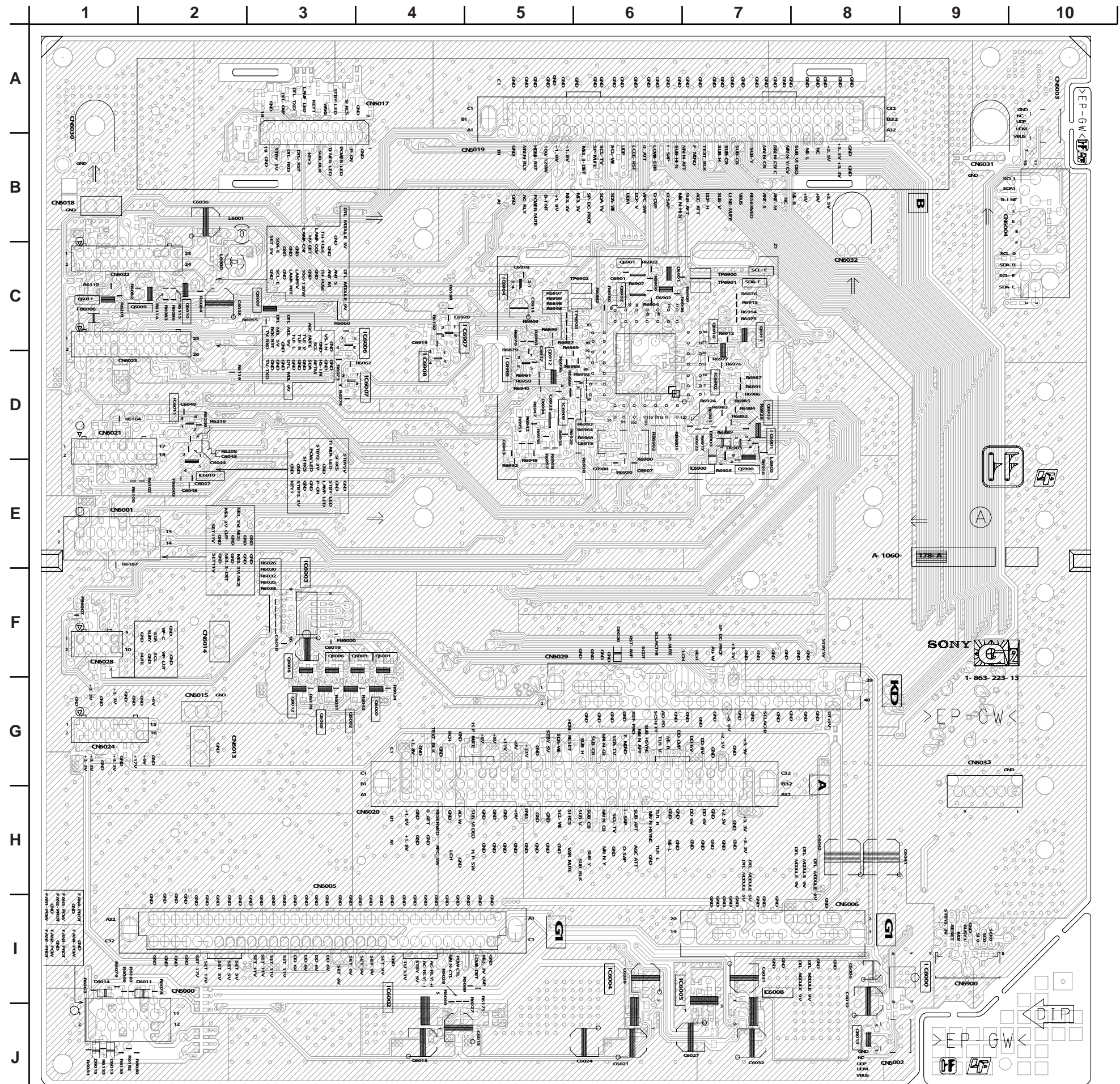


9-965-972-01<LA3>G2 P2 OF 2

G2 [MAIN I/F, LCD-ENGINE]
COMPONENT SIDE

G2 BOARD LOCATOR LIST COMPONENT SIDE

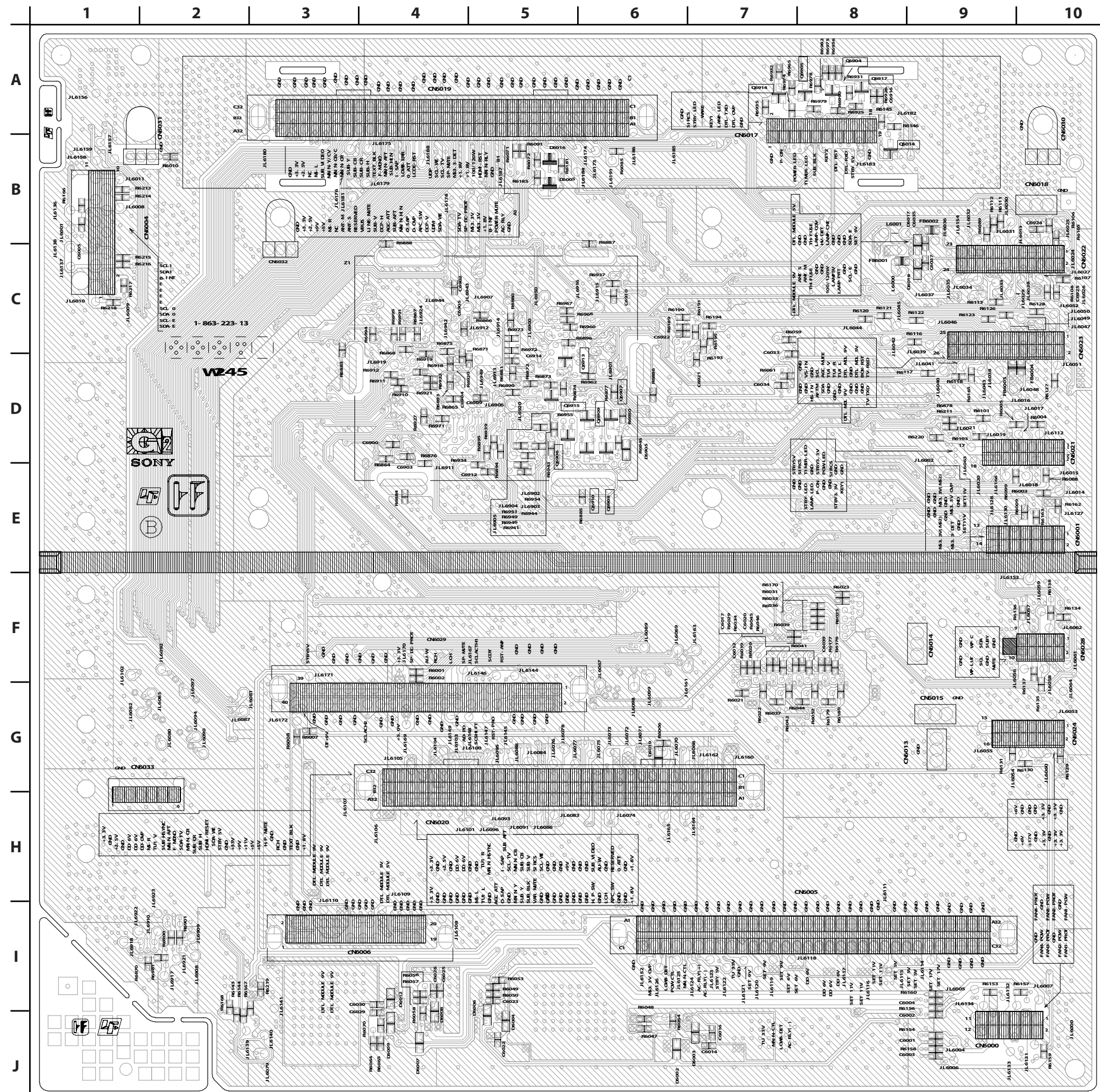
DIODE		IC		TRANSISTOR	
D6011	I-2	IC6002	I-4	Q6000	G-4
D6013	J-1	IC6003	F-3	Q6001	F-4
D6014	I-1	IC6004	I-6	Q6002	G-4
D6015	J-1	IC6005	I-7	Q6003	F-4
D6020	F-6	IC6006	C-4	Q6005	G-3
D6901	C-7	IC6007	D-4	Q6006	F-3
D6902	C-6	IC6008	I-7	Q6007	C-3
D6904	D-5	IC6010	E-2	Q6008	F-3
		IC6011	D-2	Q6009	C-2
		IC6902	D-7	Q6010	C-2
		IC6904	C-5	Q6011	C-11
		IC6905	D-5	Q6015	J-8
		IC6907	C-4	Q6901	C-6
		IC6908	D-4	Q6902	C-6
		IC6909	D-5	Q6912	D-5
				Q6916	C-7



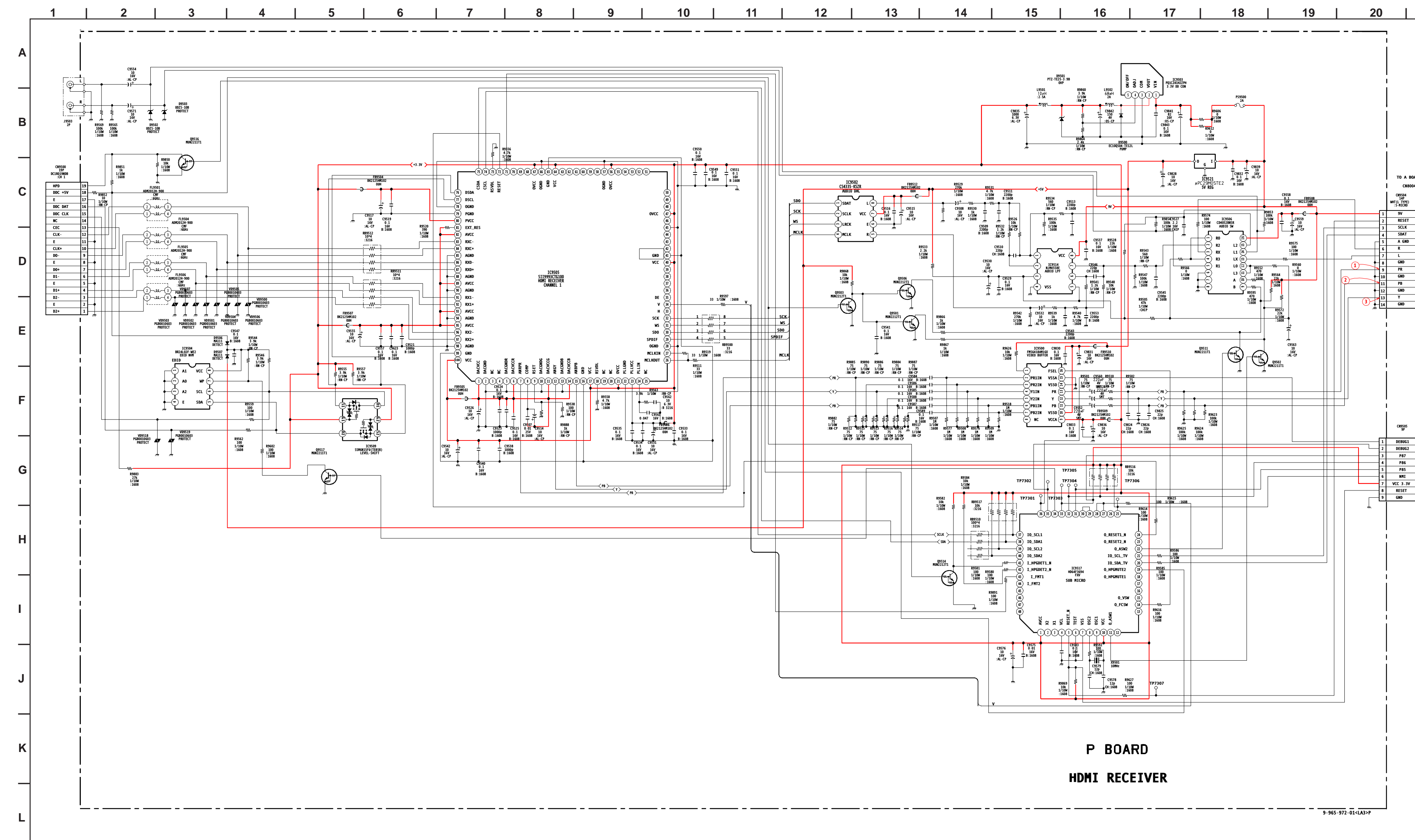
G2 [MAIN I/F, LCD-ENGINE]
CONDUCTOR SIDE

G2 BOARD LOCATOR LIST CONDUCTOR SIDE

DIODE		TRANSISTOR	
D6002	J-6	Q6014	B-8
D6003	J-7	Q6904	A-8
D6004	J-5	Q6905	A-8
D6005	B-5	Q6906	E-5
D6006	J-5	Q6907	D-6
D6007	J-4	Q6908	E-6
D6008	J-4	Q6909	D-6
D6009	J-4	Q6910	E-6
D6012	I-4	Q6913	D-6
D6016	B-5	Q6914	A-7
D6017	B-9	Q6915	D-6
D6018	C-9	Q6917	A-8
D6019	G-6		
D6905	E-6		



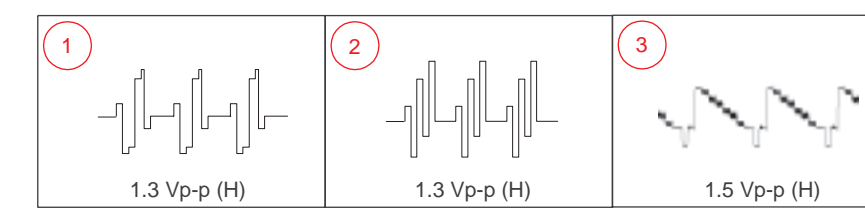
P BOARD SCHEMATIC DIAGRAM



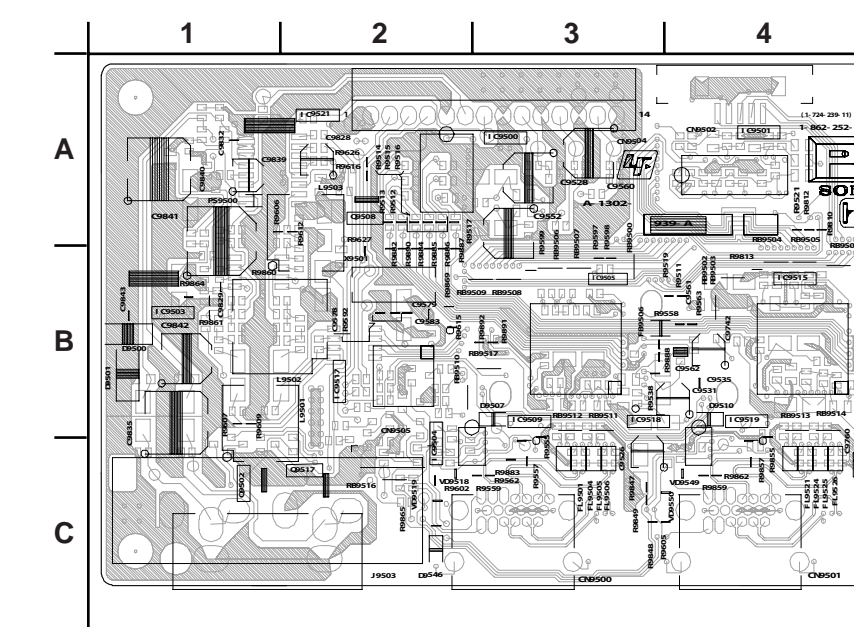
P BOARD
HDMI RECEIVER

9-965-972-01-LA3-P

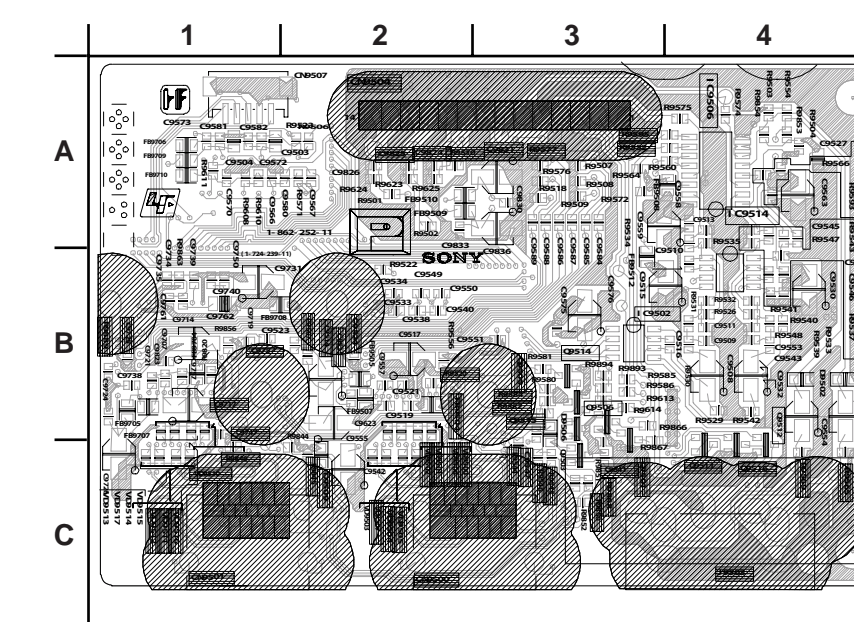
P BOARD WAVEFORMS



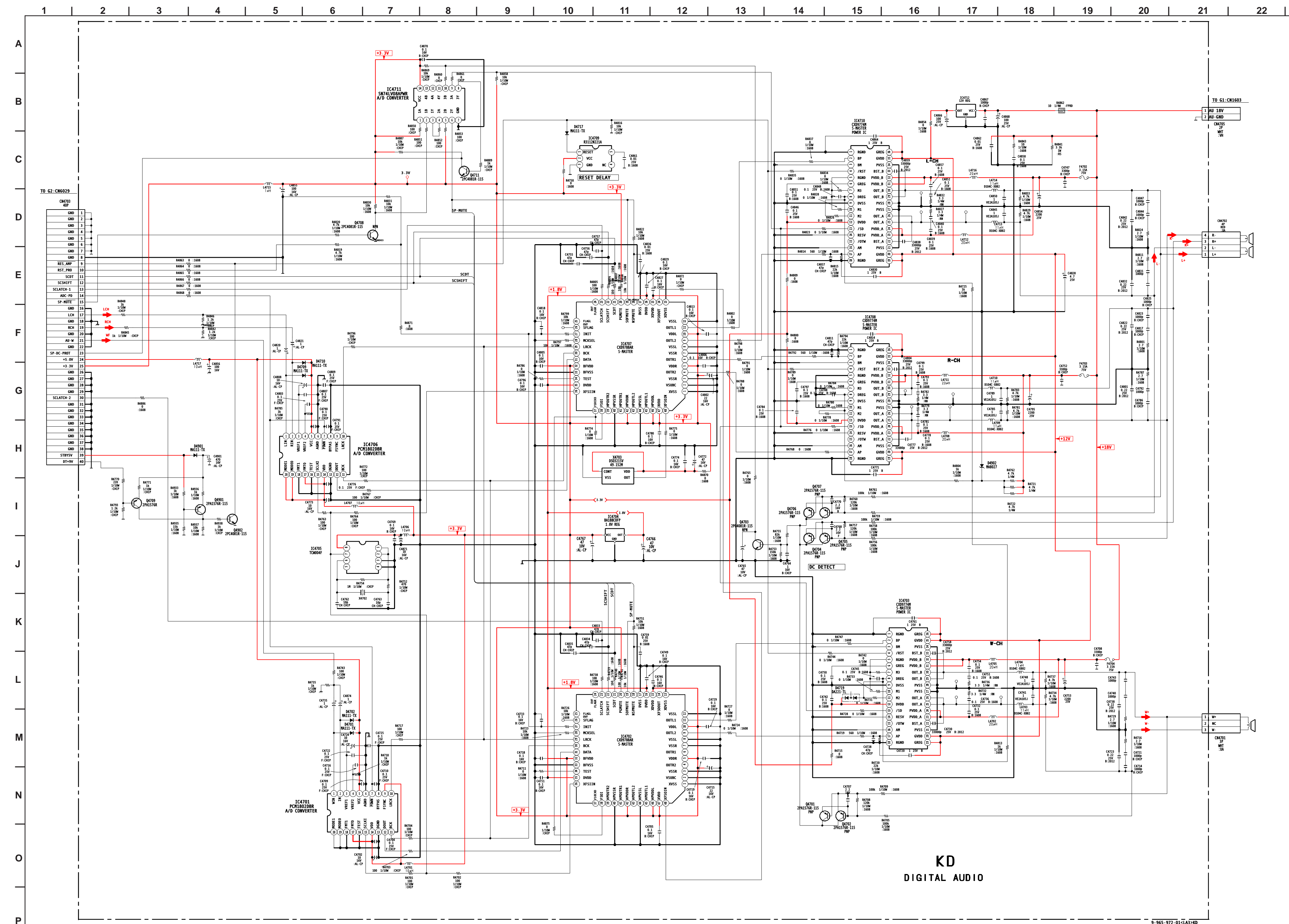
P [HDMI RECEIVER]
COMPONENT SIDE



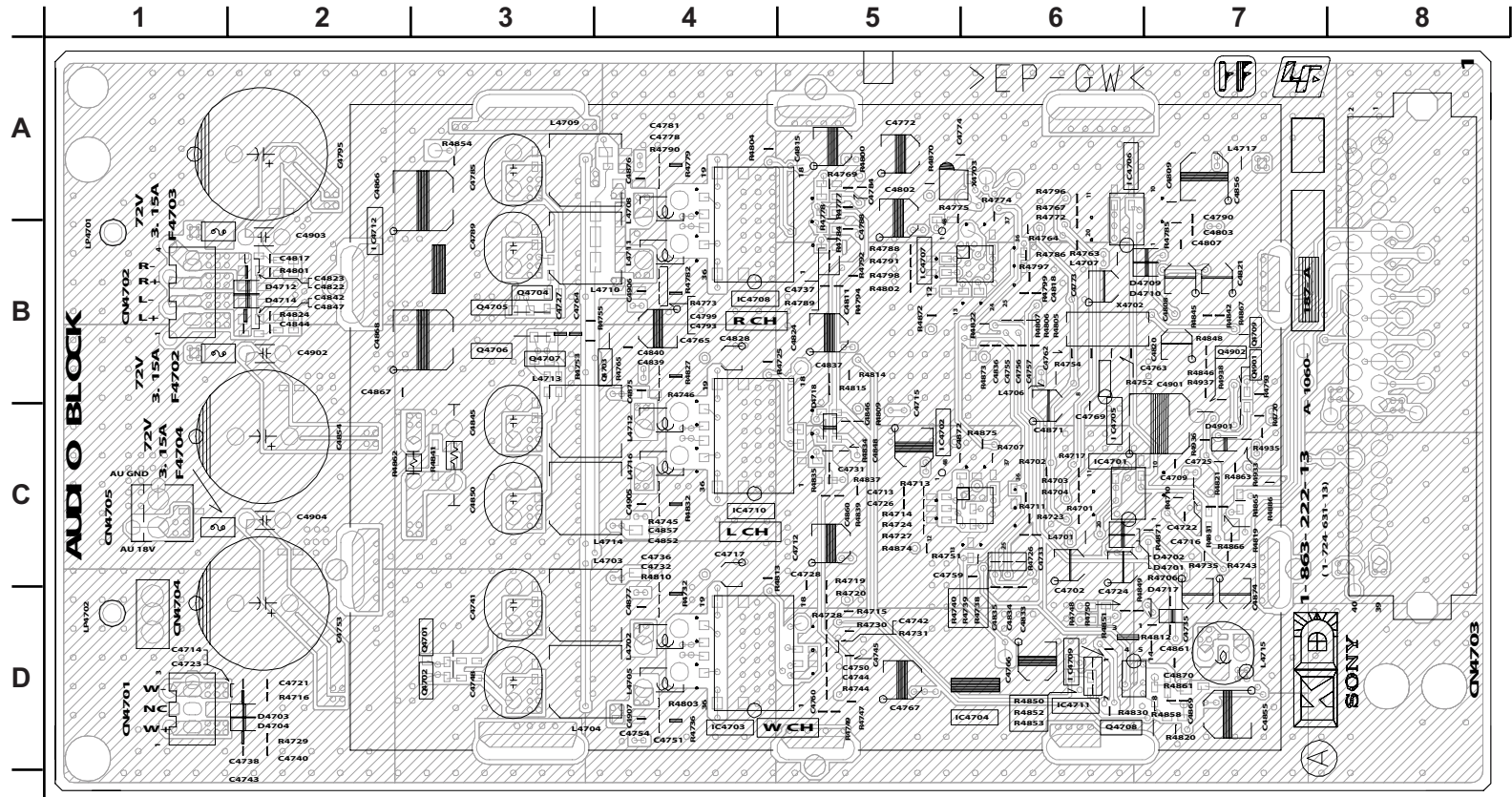
P [HDMI RECEIVER]
CONDUCTOR SIDE



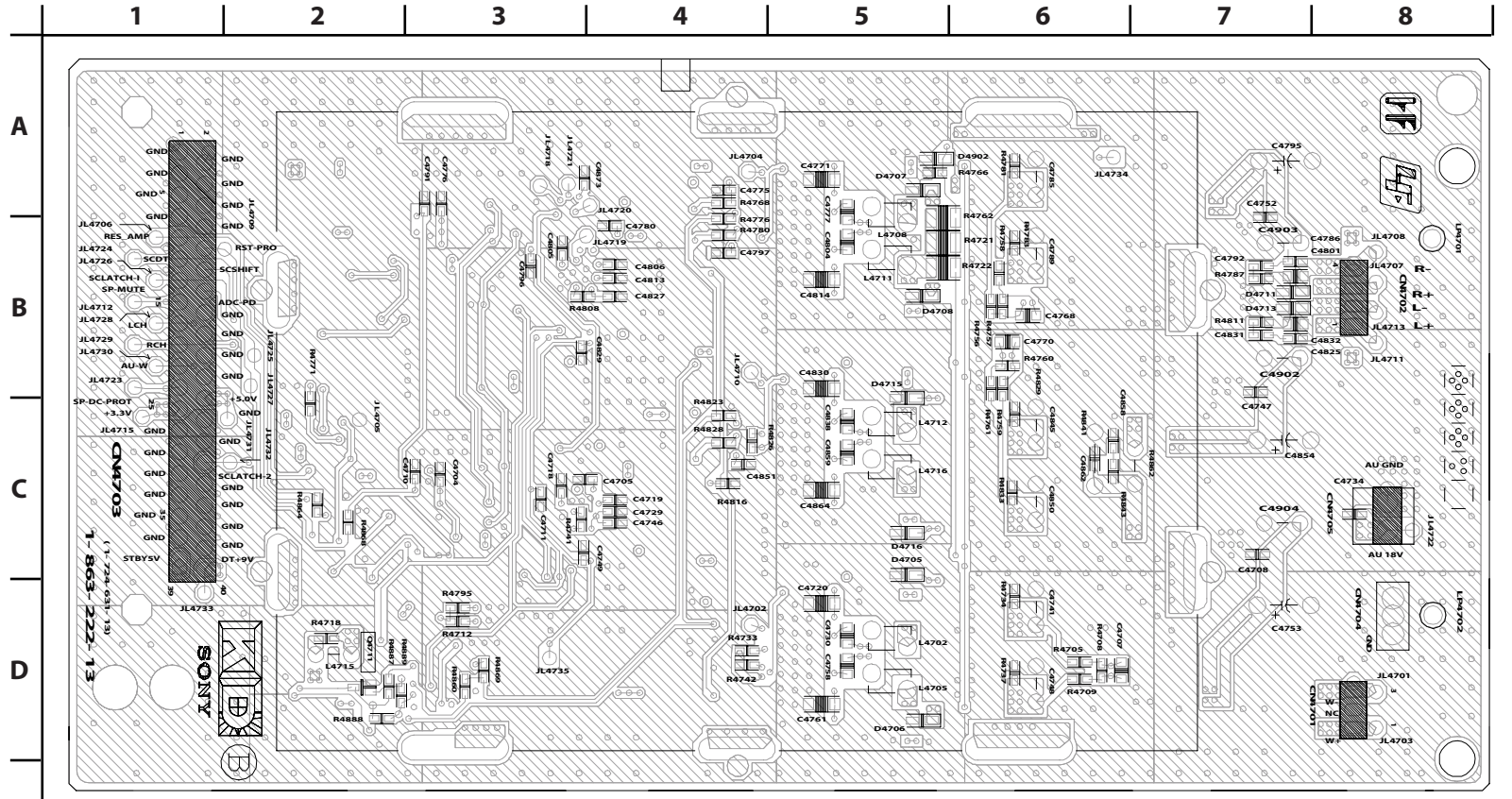
KD BOARD SCHEMATIC DIAGRAM



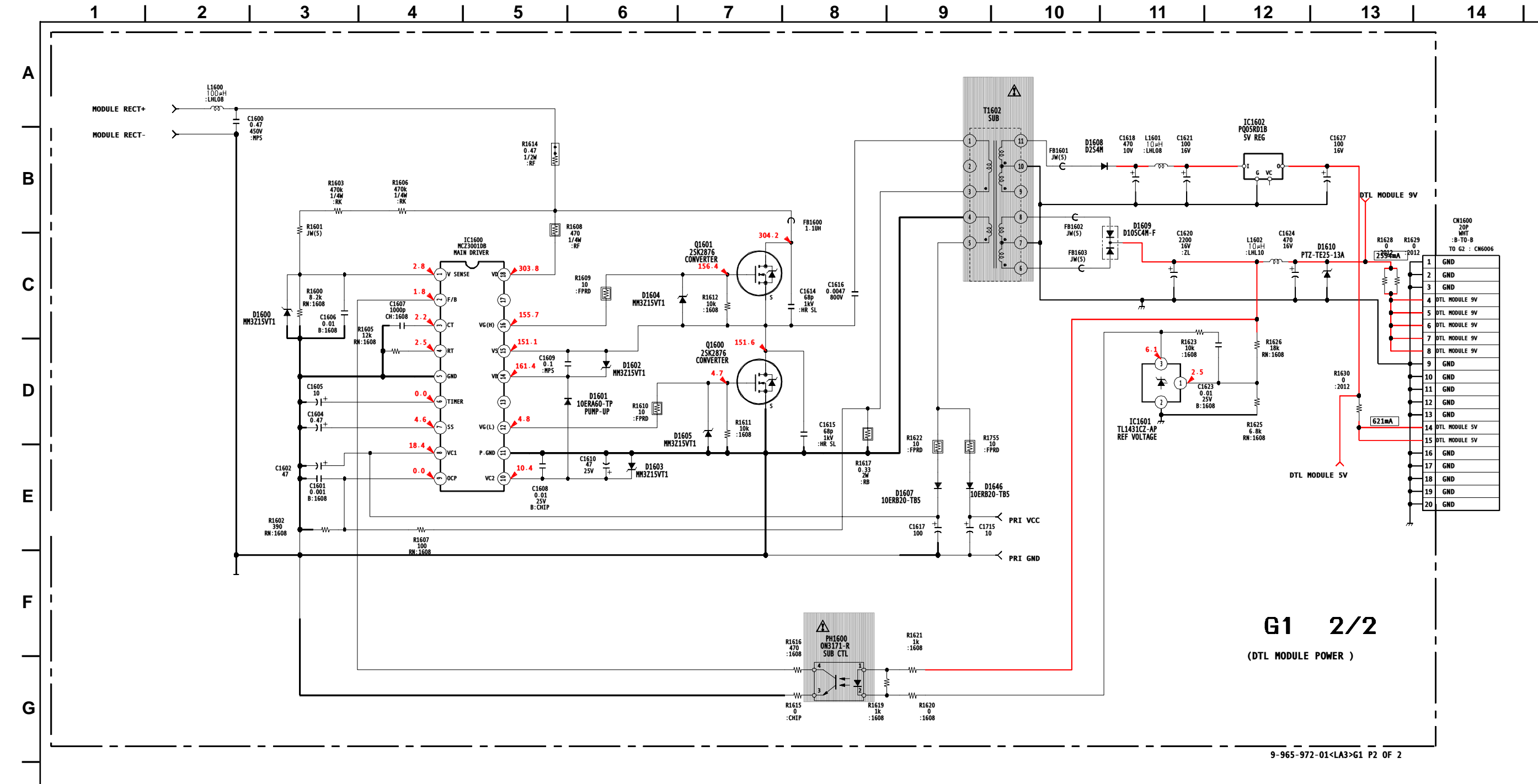
KD [DIGITAL AUDIO]
COMPONENT SIDE



KD [DIGITAL AUDIO]
CONDUCTOR SIDE



G1 BOARD SCHEMATIC DIAGRAM (2 OF 2)



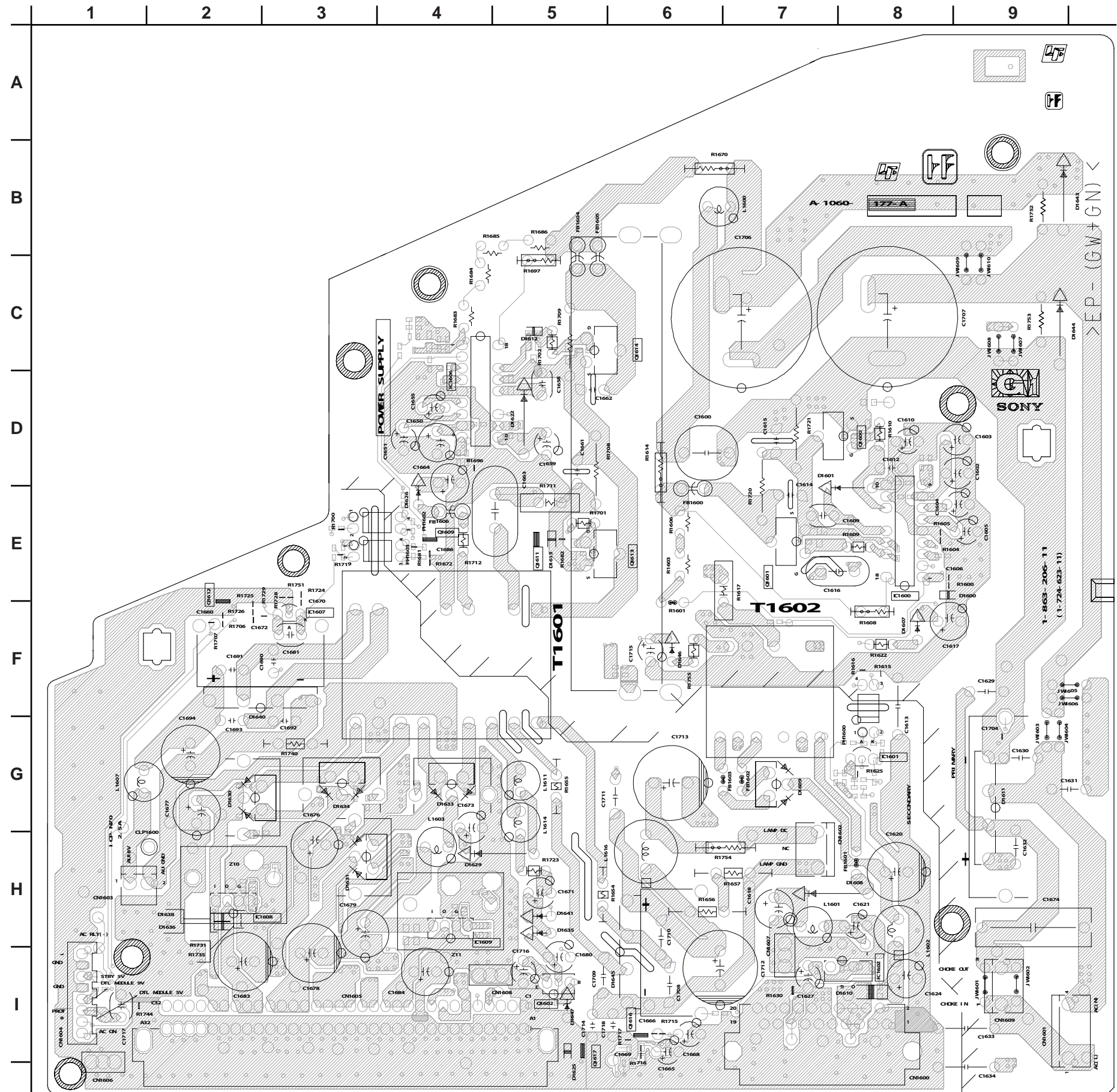
1	GND
2	GND
3	GND
4	DTL MODULE 9V
5	DTL MODULE 9V
6	DTL MODULE 9V
7	DTL MODULE 9V
8	DTL MODULE 9V
9	GND
10	GND
11	GND
12	GND
13	GND
14	DTL MODULE 5V
15	DTL MODULE 5V
16	GND
17	GND
18	GND
19	GND
20	GND

G1 2/2
(DTL MODULE POWER)

G1 [MAIN POWER SUPPLY, DTL MODULE POWER]
COMPONENT SIDE

G1 BOARD LOCATOR LIST COMPONENT SIDE

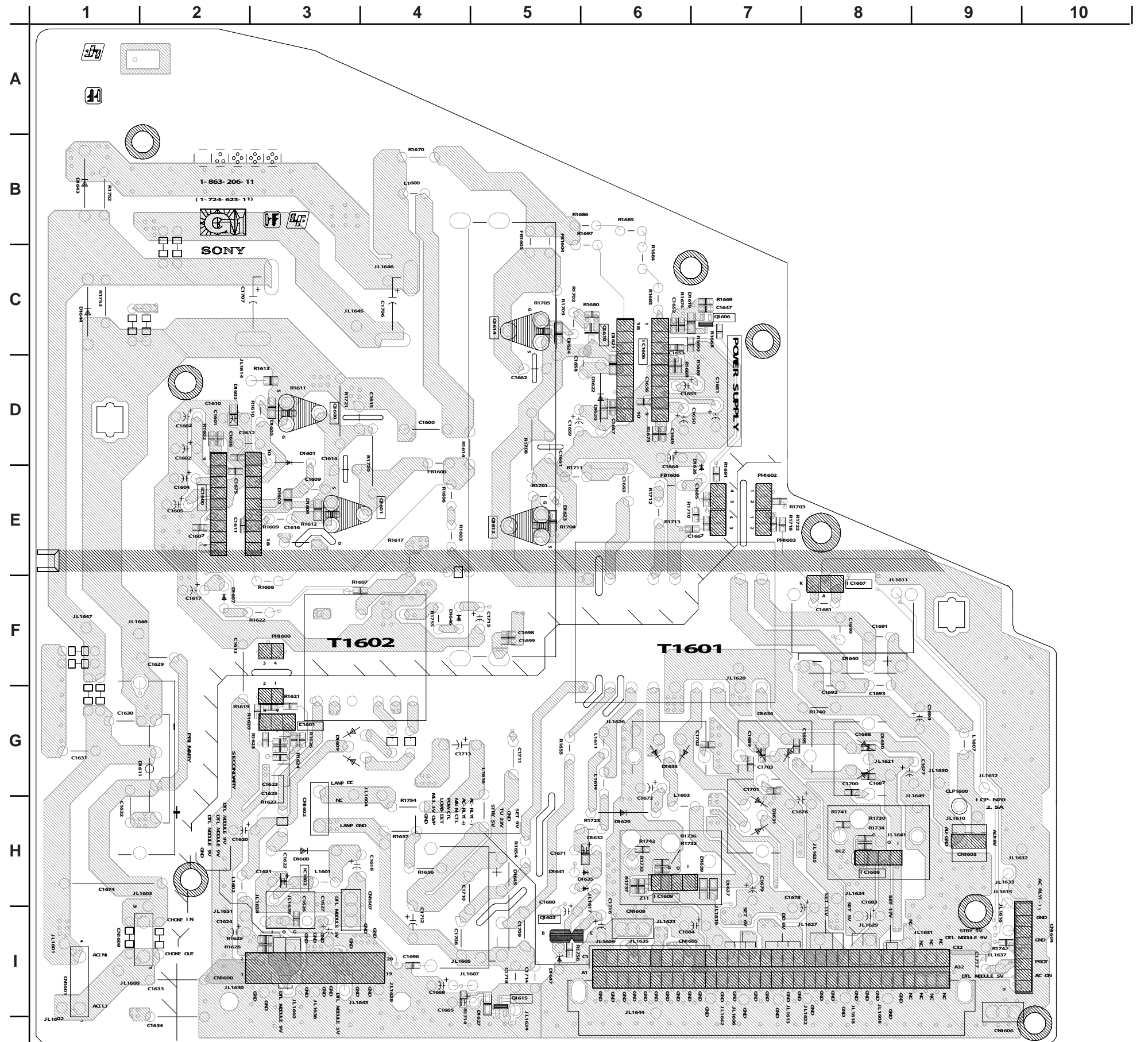
DIODE		IC		TRANSISTOR	
D1600	E-9	IC1600	E-8	Q1600	D-8
D1601	D-7	IC1601	G-8	Q1601	E-7
D1607	F-8	IC1602	I-8	Q1602	I-5
D1608	H-8	IC1606	D-4	Q1609	E-4
D1609	G-7	IC1607	F-3	Q1612	E-2
D1610	I-8	IC1608	H-3	Q1613	E-6
D1611	G-9	IC1609	H-5	Q1614	C-6
D1622	D-5			Q1616	I-6
D1625	I-5			Q1617	I-6
D1626	E-4				
D1629	H-5				
D1630	G-2				
D1631	H-3				
D1633	G-4				
D1634	G-3				
D1635	H-5				
D1636	H-2				
D1638	H-2				
D1640	G-2				
D1641	H-5				
D1643	B-9				
D1644	C-9				
D1645	I-6				
D1646	F-6				
D1647	I-5				



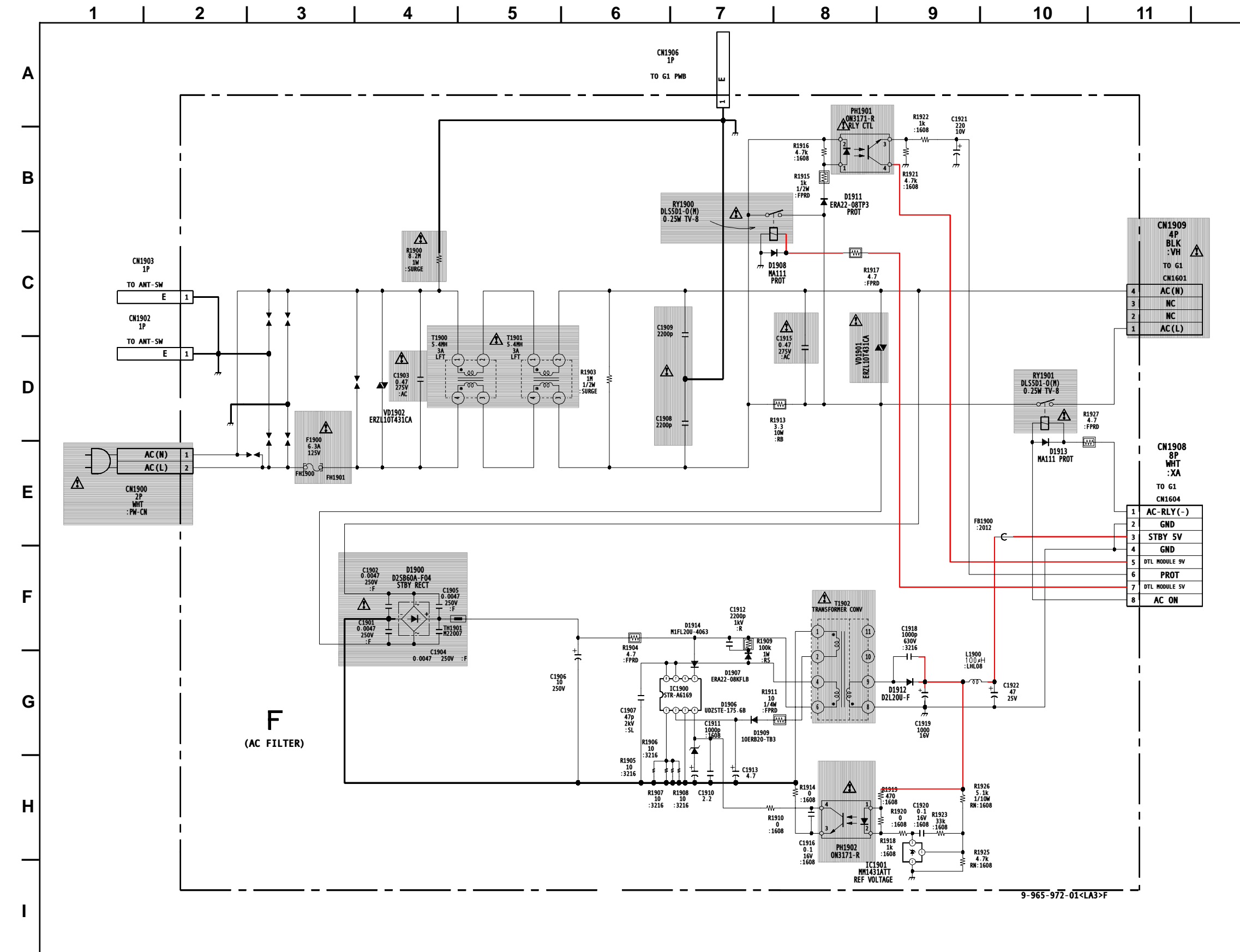
G1 [MAIN POWER SUPPLY, DTL MODULE POWER]
CONDUCTOR SIDE

G1 BOARD LOCATOR LIST CONDUCTOR SIDE

DIODE		IC		TRANSISTOR	
D1601	D-3	IC1600	E-2	Q1600	D-3
D1602	E-3	IC1601	G-3	Q1601	E-4
D1603	D-2	IC1602	H-3	Q1602	I-5
D1604	E-3	IC1606	C-7	Q1606	C-7
D1605	D-3	IC1607	H-7	Q1613	E-5
D1607	F-2	IC1608	H-7	Q1614	C-5
D1608	H-3	IC1609	H-6	Q1615	I-6
D1609	G-3				
D1611	G-2				
D1619	C-6				
D1620	D-6				
D1621	C-6				
D1622	D-6				
D1623	E-5				
D1624	C-5				
D1626	D-7				
D1627	I-5				
D1629	H-6				
D1630	G-8				
D1631	H-7				
D1632	H-6				
D1633	G-6				
D1634	G-7				
D1635	H-6				
D1637	H-7				
D1639	H-7				
D1640	H-8				
D1641	H-5				
D1643	B-1				
D1645	H-5				
D1646	F-4				
D1647	I-5				



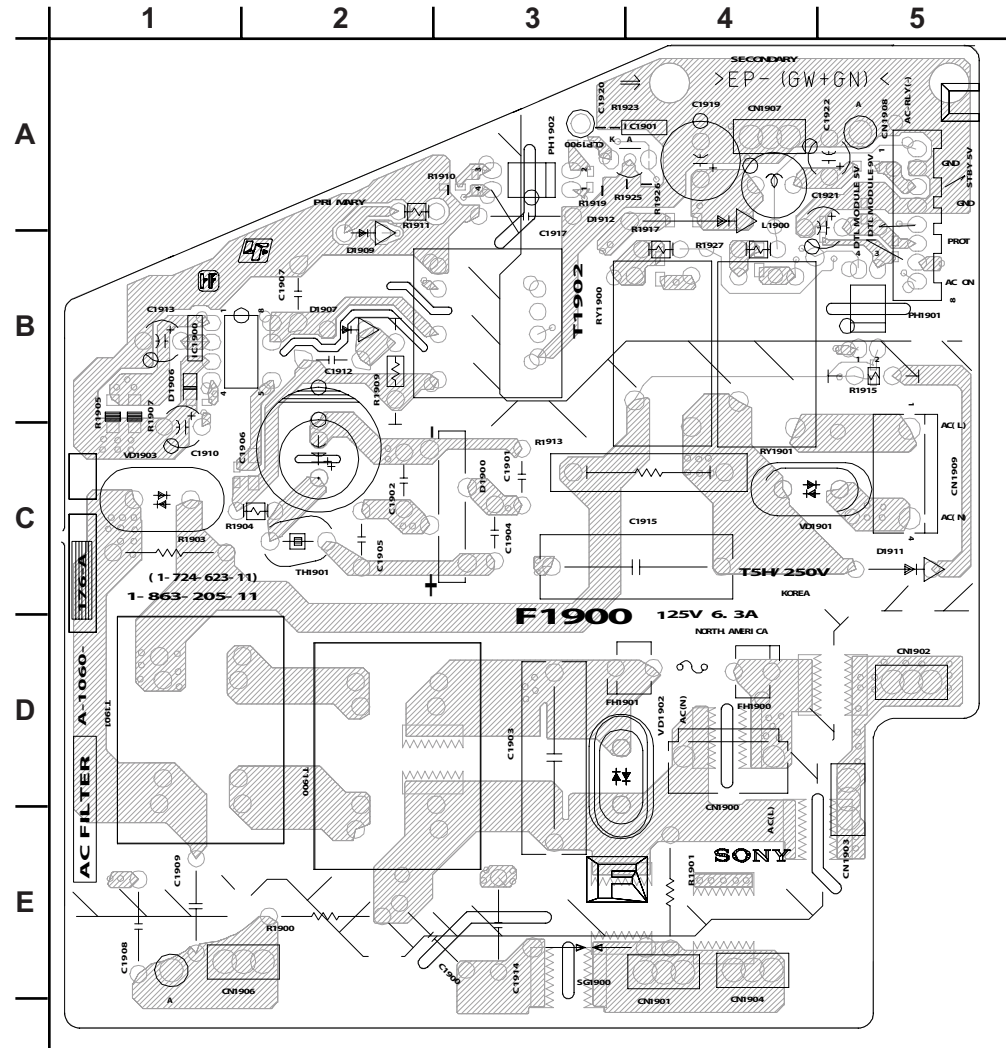
F BOARD SCHEMATIC DIAGRAM



9-965-972-01<LA3>F

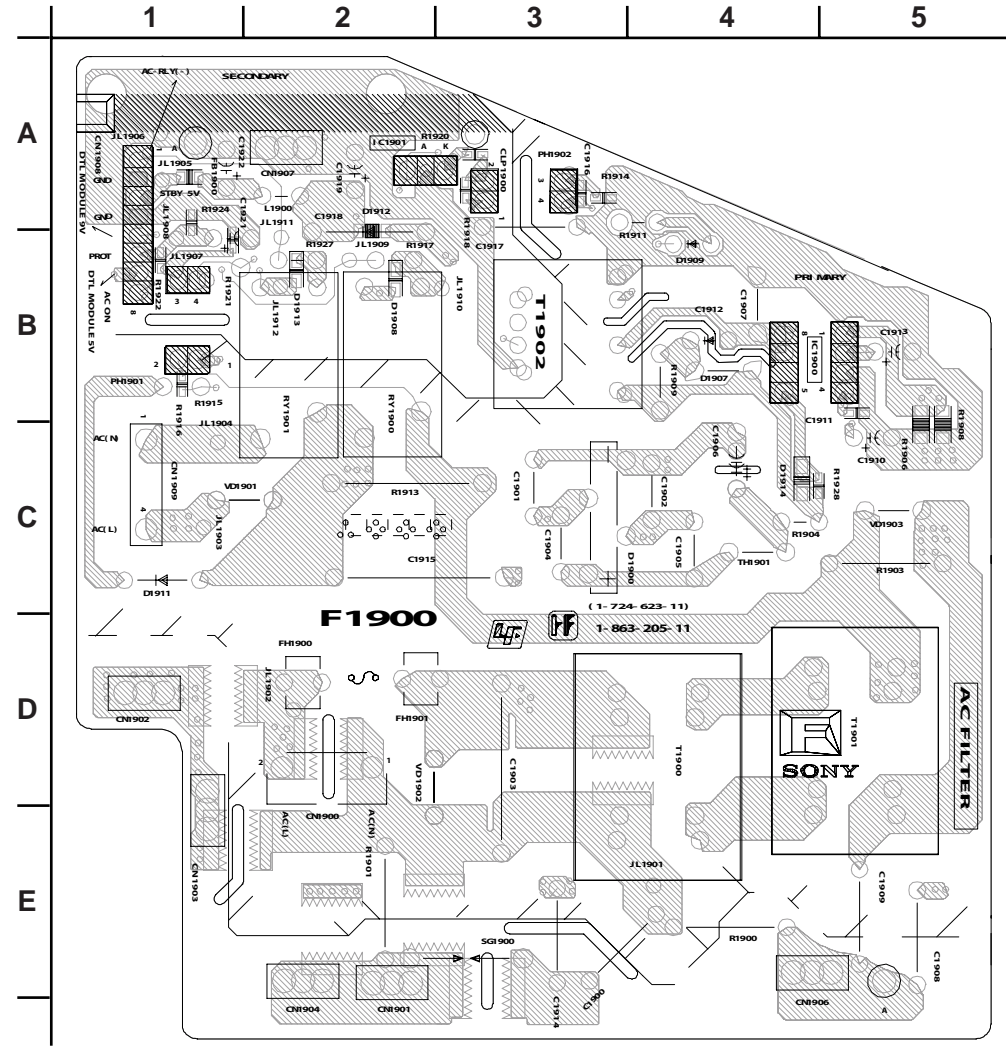
F [AC FILTER]

COMPONENT SIDE

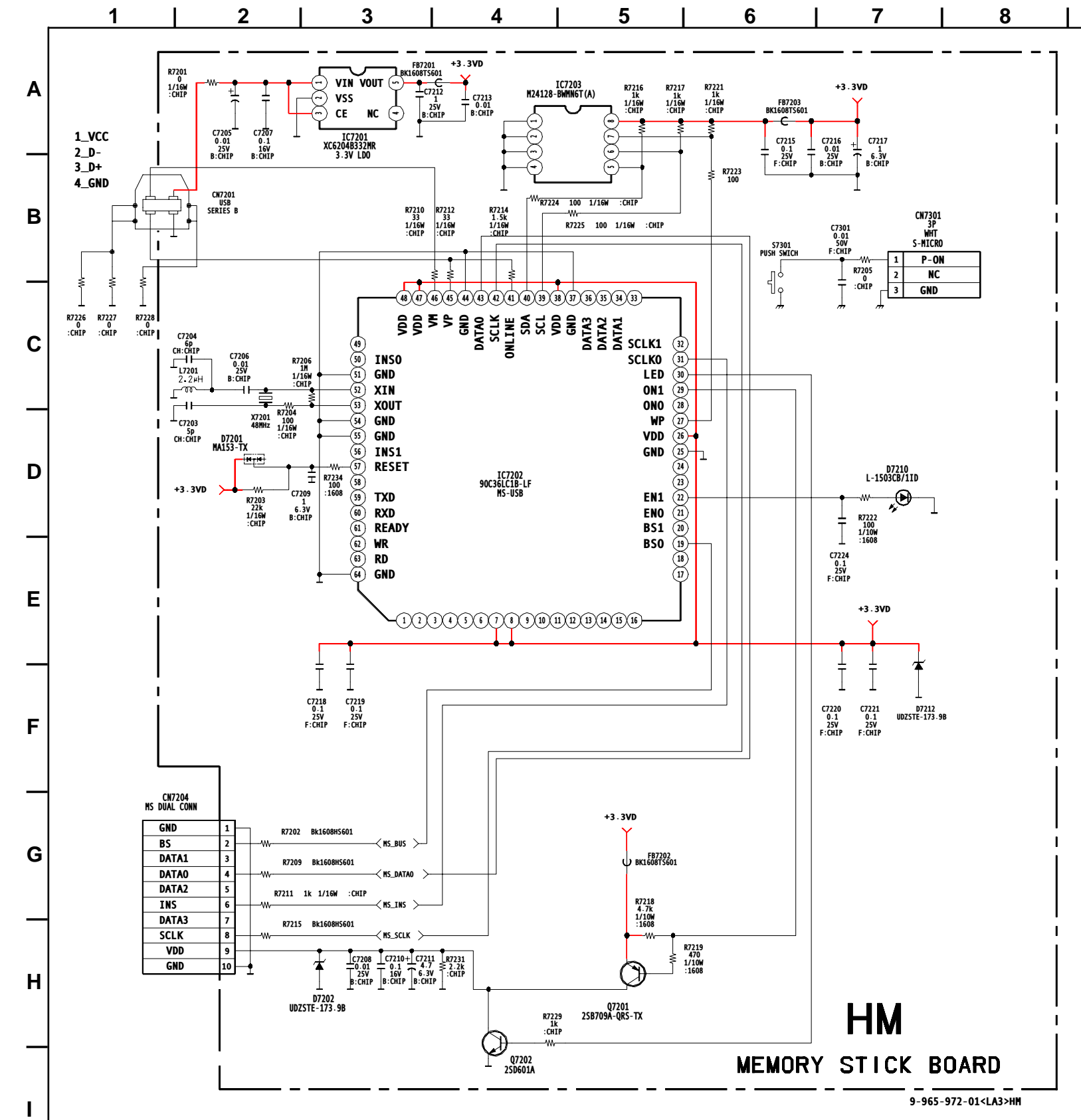


F [AC FILTER]

CONDUCTOR SIDE

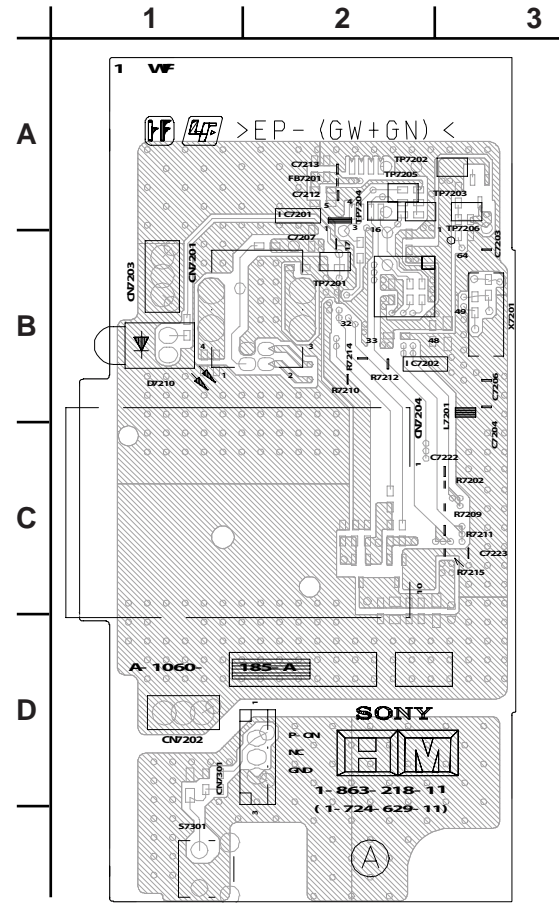


HM BOARD SCHEMATIC DIAGRAM

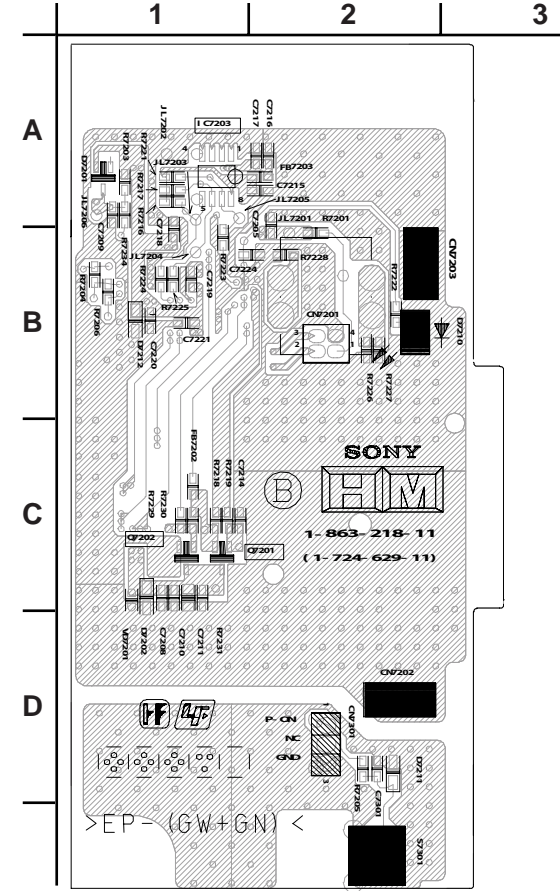


9-965-972-01<LA3>HM

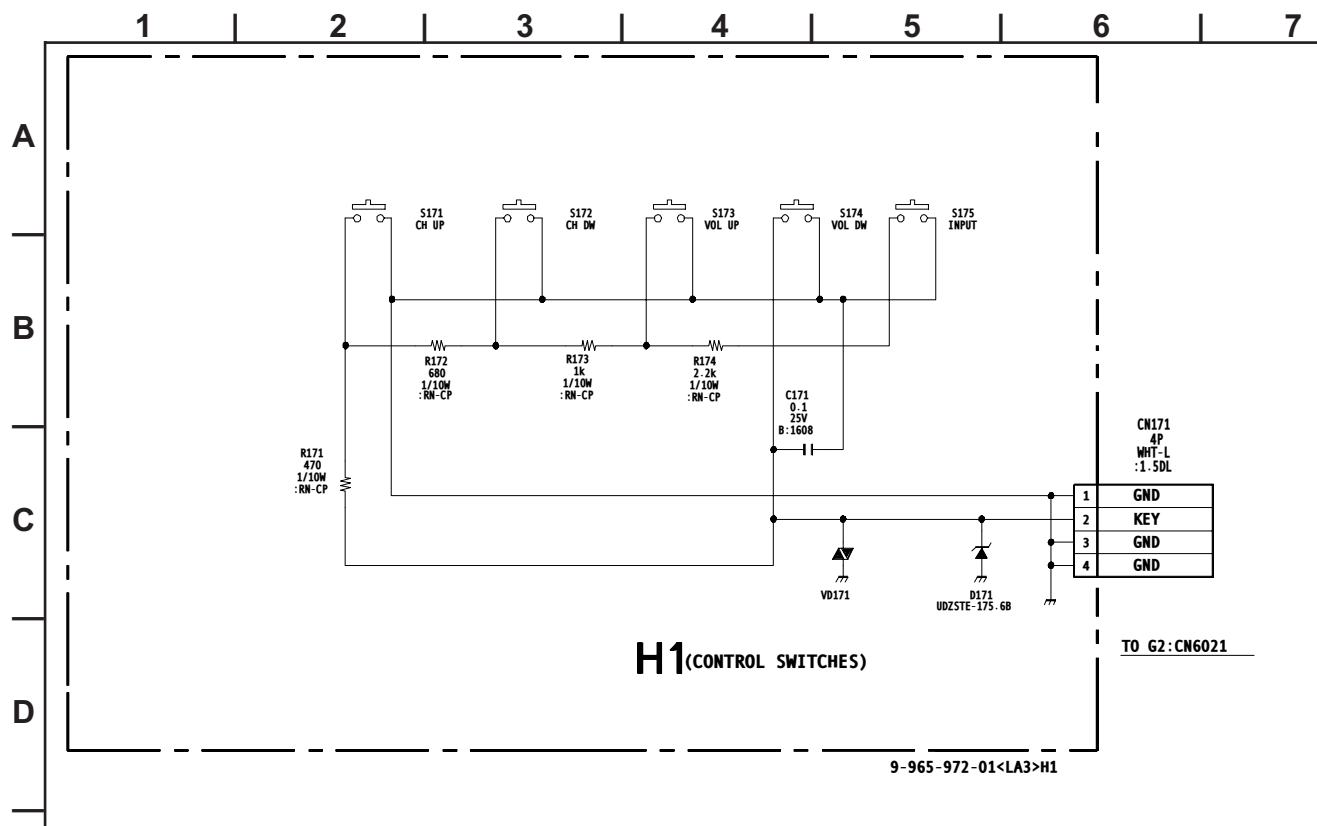
HM [MEMORY STICK BOARD]
COMPONENT SIDE



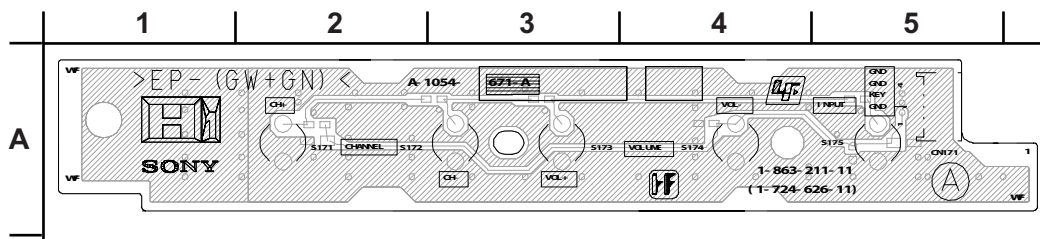
HM [MEMORY STICK BOARD]
CONDUCTOR SIDE



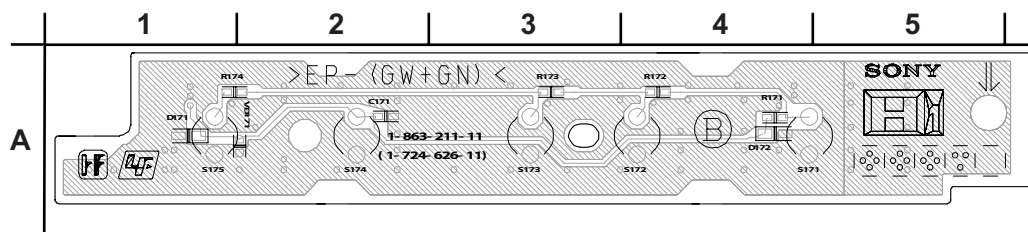
H1 BOARD SCHEMATIC DIAGRAM



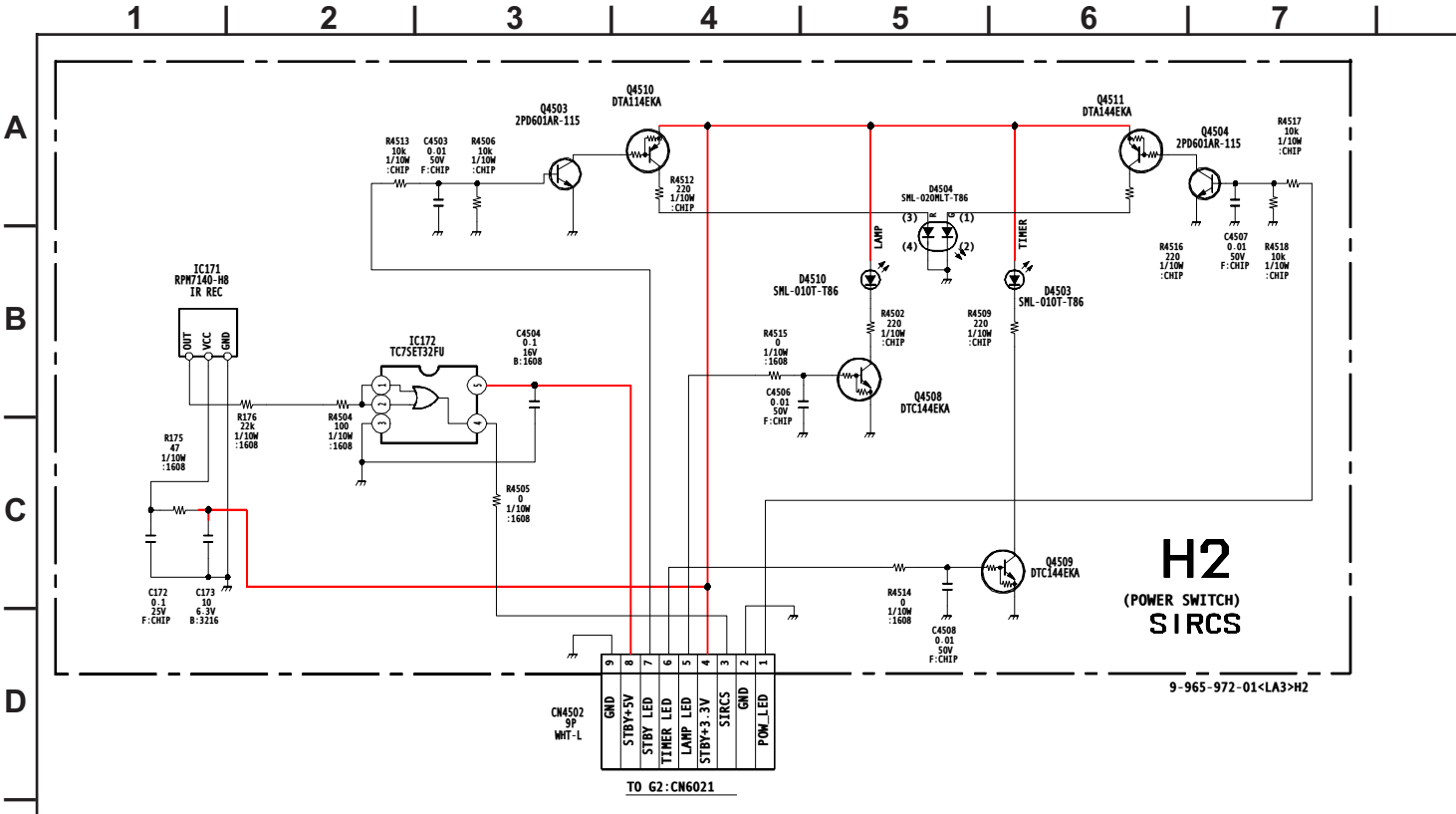
H1 [CONTROL SWITCHES]
COMPONENT SIDE



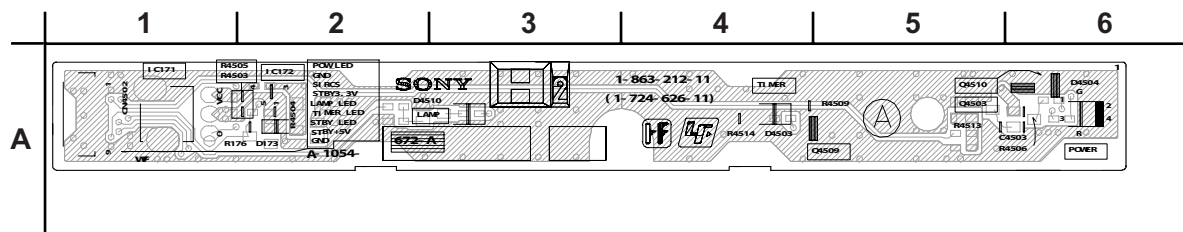
H1 [CONTROL SWITCHES]
CONDUCTOR SIDE



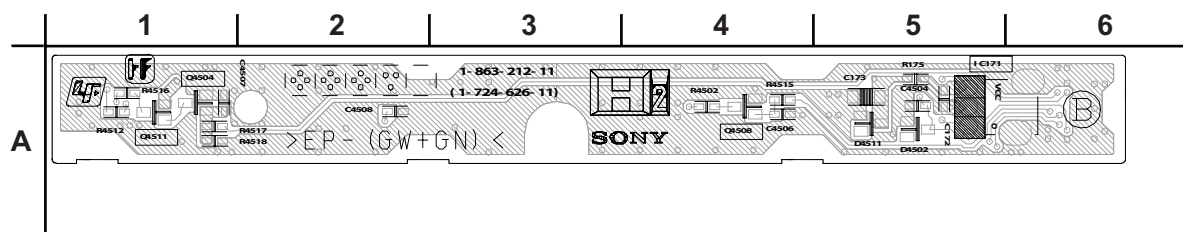
H2 BOARD SCHEMATIC DIAGRAM



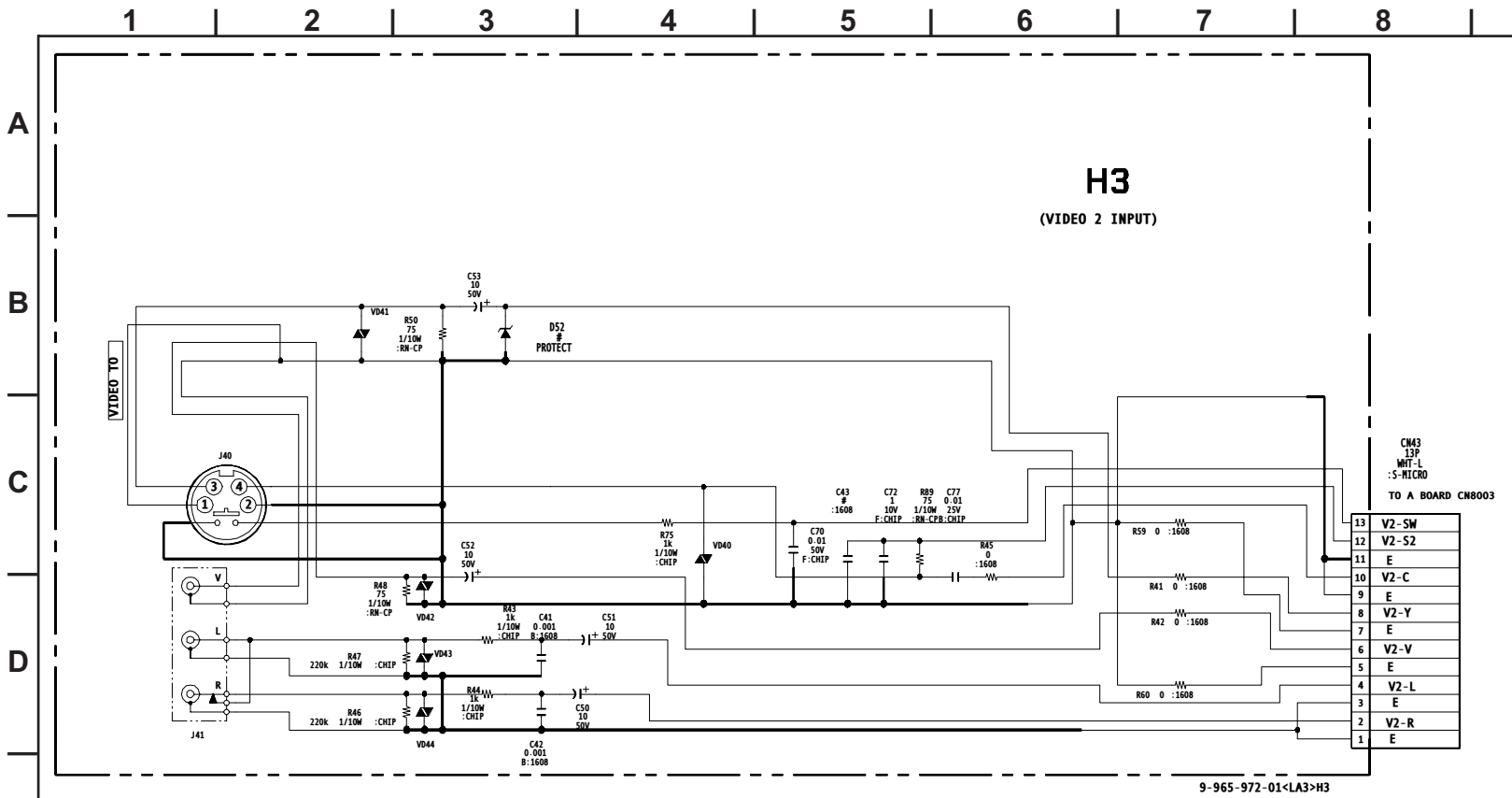
H2 [POWER SWITCH, SIRCS]
COMPONENT SIDE



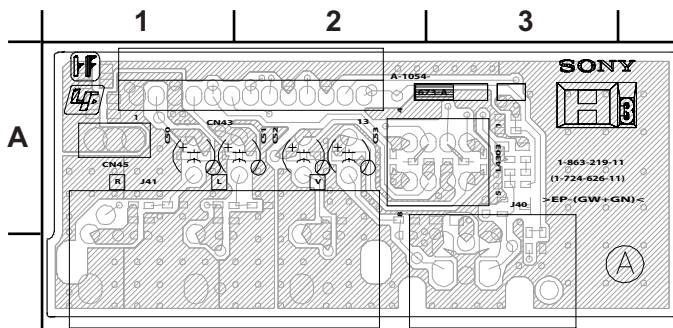
H2 [POWER SWITCH, SIRCS]
CONDUCTOR SIDE



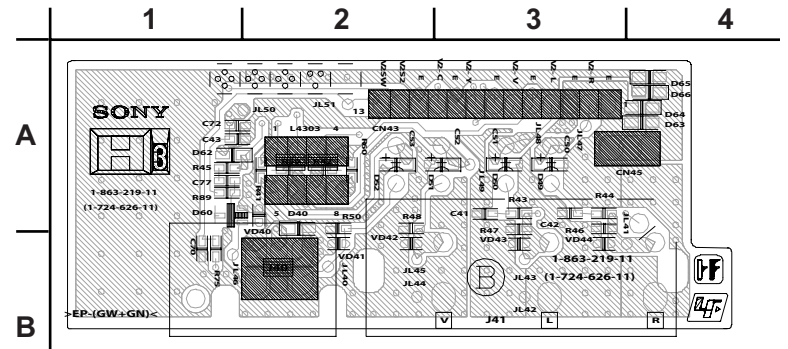
H3 BOARD SCHEMATIC DIAGRAM



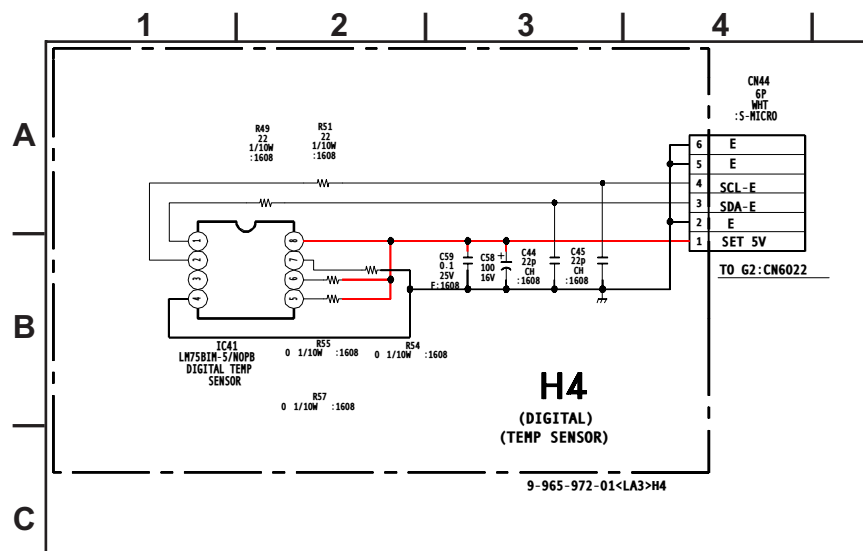
H3 [VIDEO 2 INPUT]
COMPONENT SIDE



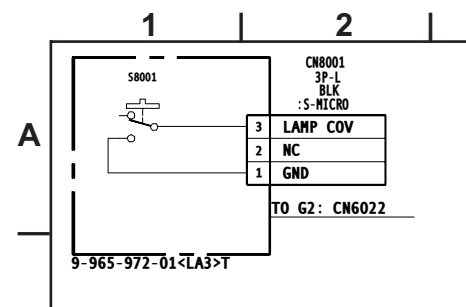
H3 [VIDEO 2 INPUT]
CONDUCTOR SIDE



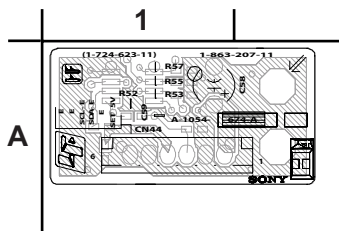
H4 BOARD SCHEMATIC DIAGRAM



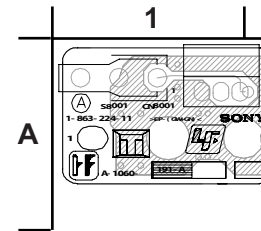
T BOARD SCHEMATIC DIAGRAM



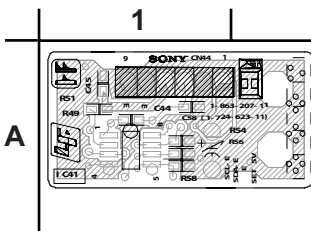
H4 [DIGITAL, TEMP SENSOR]
COMPONENT SIDE



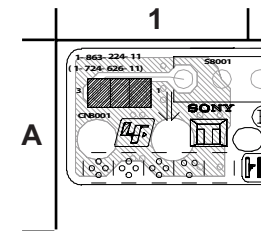
T [LAMP DOOR SWITCH]
COMPONENT SIDE



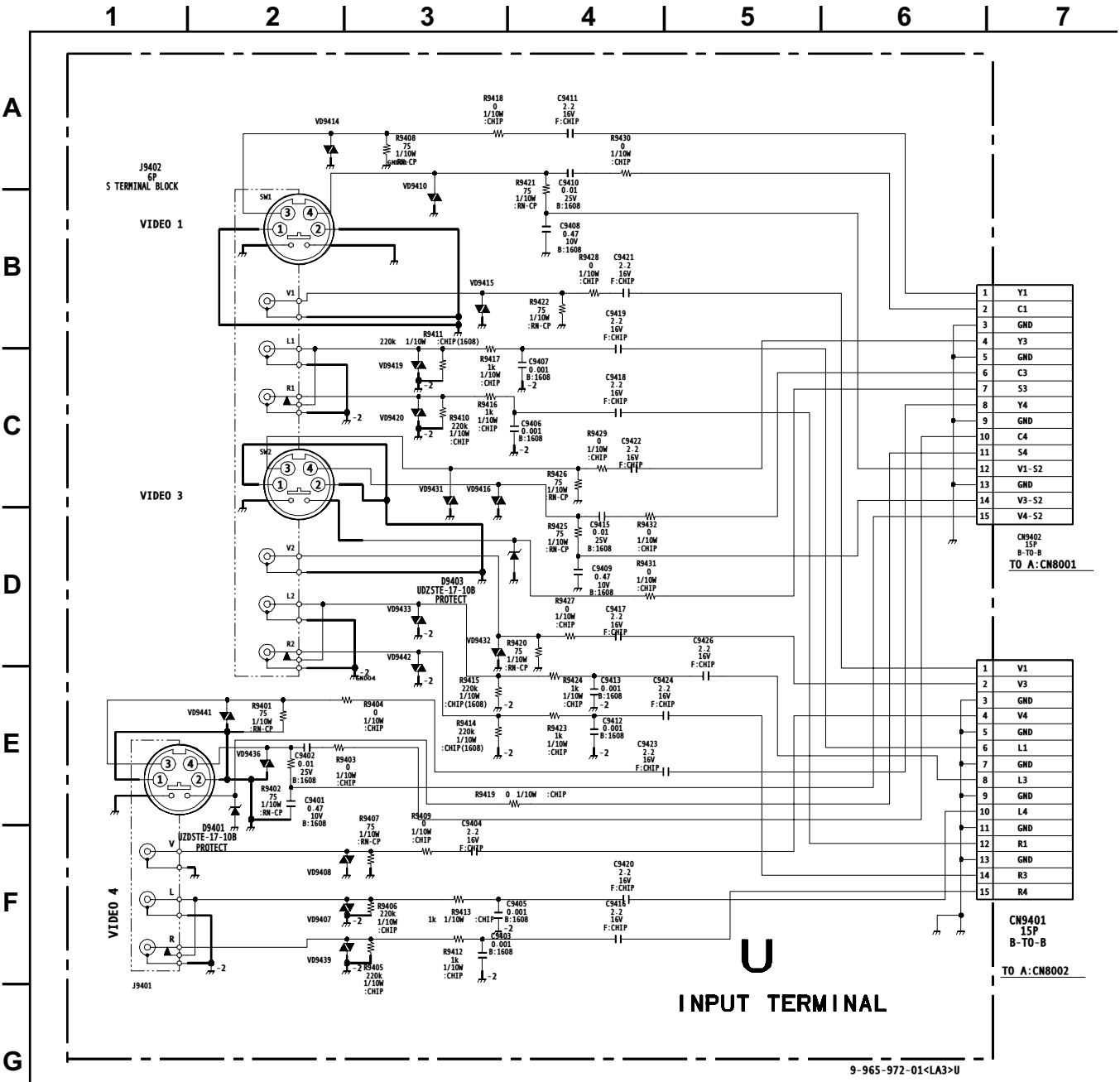
H4 [DIGITAL, TEMP SENSOR]
CONDUCTOR SIDE



T [LAMP DOOR SWITCH]
CONDUCTOR SIDE



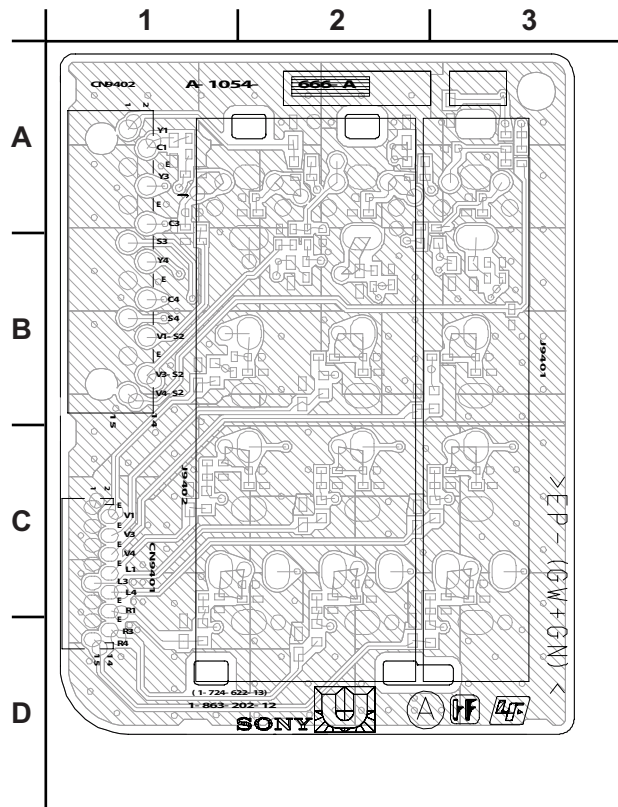
U BOARD SCHEMATIC DIAGRAM



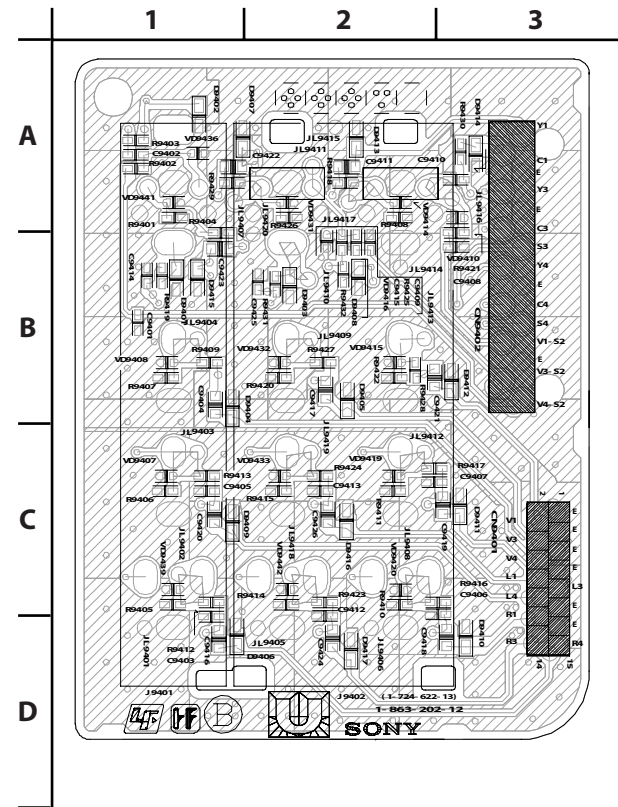
9-965-972-01<LA3>U



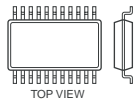
COMPONENT SIDE



CONDUCTOR SIDE

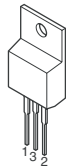


3-5. SEMICONDUCTORS



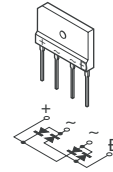
16Pin

CXA2069Q
NJW1149

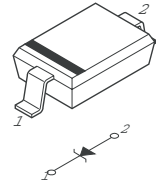


PQ07VZ012ZP

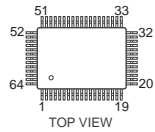
2SA1162-G
2SA1576A-T106-R
2SA1611-M5M6
2SC1623-L5L6
2SC4081-R
2SD601A-Q
DTA114EKA-T146
DTC114EK
DTC114EU
DTC143EKA-T146
DTC144EKA
DTC144EUA-T146



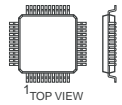
DAP202K
M1MA152WK-T1



SLR-325VCT31

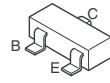


CXA2171AQ-T6

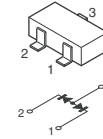


48Pin

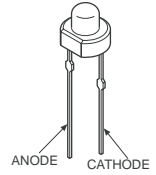
PQ30RV11
PQ30RV21
PQ30RV31



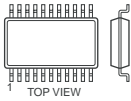
2SK2663



DE5SC3ML

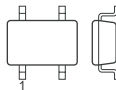


LM75CIMX-5
M24C02-WMN6T(A)
M24C16-WMN6T(A)
MAX4451EKA-TG069
NJM4558V-TE2



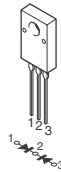
8Pin

SN74CBTLV1G125DCKR

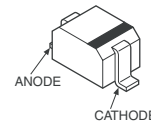


5Pin

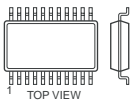
D10SC6M



DTZ10B
HZU11B1TRF
MA111-TX
MA113-(TX)
UDZS-TE17-5.6B
UDZ-TE-17-4.3B
UDZ-TE-17-8.2B

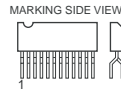


M52055FP



14Pin

TDA7265

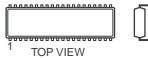


11Pin

D1N20R
D1NS4
RD12SB2
RD18SB2
RD3.3SB2

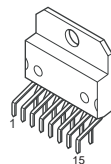
ERA22-08
ERC04-06SE

MCZ3001DA



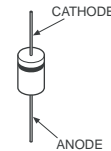
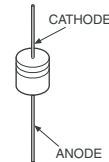
18Pin

TDA7296



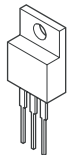
UPC1093J-1-T

D1NL20J-TR

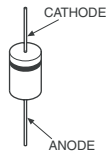


RD5.6SB2-T1
RD6.2SB2-T1
RD7.5SB2-T1

NJM79M12DL1A-TE1



D2SB60A-F04
D4SBL40
D4SBS6-F
D6SB60L



SECTION 4: EXPLODED VIEWS

Components not identified by a part number or description are not stocked because they are seldom required for routine service.

The component parts of an assembly are indicated by the reference numbers in the far right column of the parts list and within the dotted lines of the diagram.

* Items marked with an asterisk are not stocked since they are seldom required for routine service. Expect some delay when ordering these components.

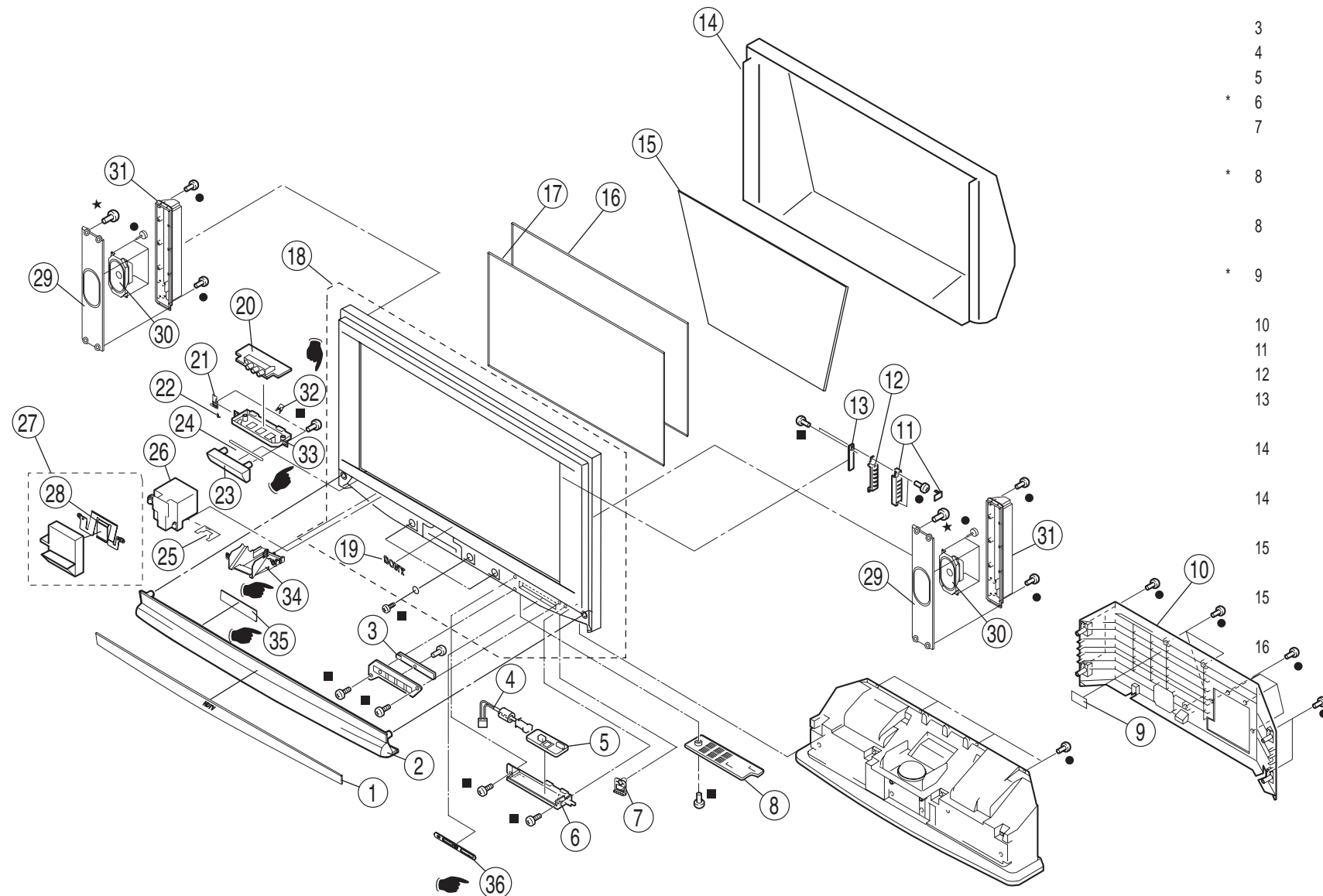
NOTE: The components identified by shading and \triangle mark are critical for safety. Replace only with part number specified.

NOTE: Les composants identifiés par un trame et une marque \triangle sont critiques pour la sécurité. Ne les remplacer que par une pièce portant le numéro spécifique.

4-1. COVER

- 7-685-648-79 SCREW +BVTP 3X12 TYPE2 IT-3
- 7-685-663-79 SCREW +BVTP 4X16 TYPE2 IT-3
- ★ 4-302-404-03 SCREW (WASHER HEAD) (+P 4X16)

Caution:
When repairing anything inside the Screen Mirror Block Assembly be sure to clean the mirror and Diffusion Plate to remove any dust particles.



REF. NO.	PART NO.	DESCRIPTION	[ASSEMBLY INCLUDES]	REF. NO.	PART NO.	DESCRIPTION	[ASSEMBLY INCLUDES]
1	2-024-421-01	PANEL (55), FRONT (KDF-55WF655 ONLY)		16	1-788-164-21	PLATE (60F), DIFFUSION (KDF-60WF655 ONLY)	
1	2-024-422-01	PANEL (60), FRONT (KDF-60WF655 ONLY)		17	1-788-160-41	PLATE, (55L) DIFFUSION (KDF-55WF655 ONLY)	
2	X-2021-878-1	COVER ASSY (55), FRONT (KDF-55WF655 ONLY)		17	1-788-161-61	PLATE, (60L) DIFFUSION (KDF-60WF655 ONLY)	
2	X-2021-917-2	COVER ASSY (60), FRONT (KDF-60WF655 ONLY)		7-632-661-51	BLACK ACETATE (2142) 23X50M TAPE FOR DIFFUSION PLATES (NOT SHOWN)		
3	A-1054-672-A	H2 BOARD, MOUNTED		18	A-1087-104-A	SCREEN FRAME ASSY (IRP) [19]	
4	1-792-826-21	CORD, CONNECTION		* 18	A-1087-107-A	SCREEN FRAME ASSY (IRP) [19]	
5	A-1060-185-A	HM BOARD, COMPLETE		19	3-704-179-01	EMBLEM (NO.9), SONY	
* 6	2-024-434-01	SHIELD, HM		20	A-1054-673-A	H3 BOARD, MOUNTED	
7	2-024-435-02	BUTTON, POWER		* 21	4-045-250-01	DAMPER	
* 8	2-024-426-01	COVER (55), CABLE (KDF-55WF655 ONLY)		22	2-055-626-01	SPRING (D), H3	
8	2-024-428-01	COVER (60), CABLE (KDF-60WF655 ONLY)		23	2-055-782-01	BRACKET (R), H3	
* 9	2-159-576-01	CUSHION, ACOUSTIC (REAR)		24	2-102-482-01	LABEL, FRONT TERMINAL	
10	2-024-922-01	COVER, REAR		25	2-055-920-01	SPRING, LAMP CASE	
11	2-024-429-01	BRACKET, H1		\triangle *26	A-1085-447-A	LAMP BLOCK(RP) ASSY	
12	2-024-430-01	BUTTON, H1		27	X-2021-364-1	DOOR ASSY, LAMP [28]	
13	A-1054-671-A	H1 BOARD, MOUNTED		* 28	2-024-926-01	SPRING, LAMP DOOR	
14	A-1087-105-A	MIRROR COVER ASSY (IRP) (KDF-55WF655 ONLY)		* 29	2-048-696-01	BOX (F), SPEAKER	
14	A-1087-108-A	MIRROR COVER ASSY (IRP) (KDF-60WF655 ONLY)		30	1-825-957-11	LOUDSPEAKER (13X7CM)	
15	A-1087-106-A	MIRROR (55) ASSY(IRP) (KDF-55WF655 ONLY)		31	2-048-697-01	BOX (R), SPEAKER	
15	A-1087-109-A	MIRROR (60) ASSY(IRP) (KDF-60WF655 ONLY)		32	4-091-144-01	CATCH, PUSH	
16	1-788-163-21	PLATE (55F), DIFFUSION (KDF-55WF655 ONLY)		33	2-055-783-01	SHIELD, H3	
				34	2-159-575-11	CUSHION, ACOUSTIC (FRONT)	
				35	2-055-932-01	GUIDE, LAMP CASE	
				36	2-024-432-01	PANEL, MS	

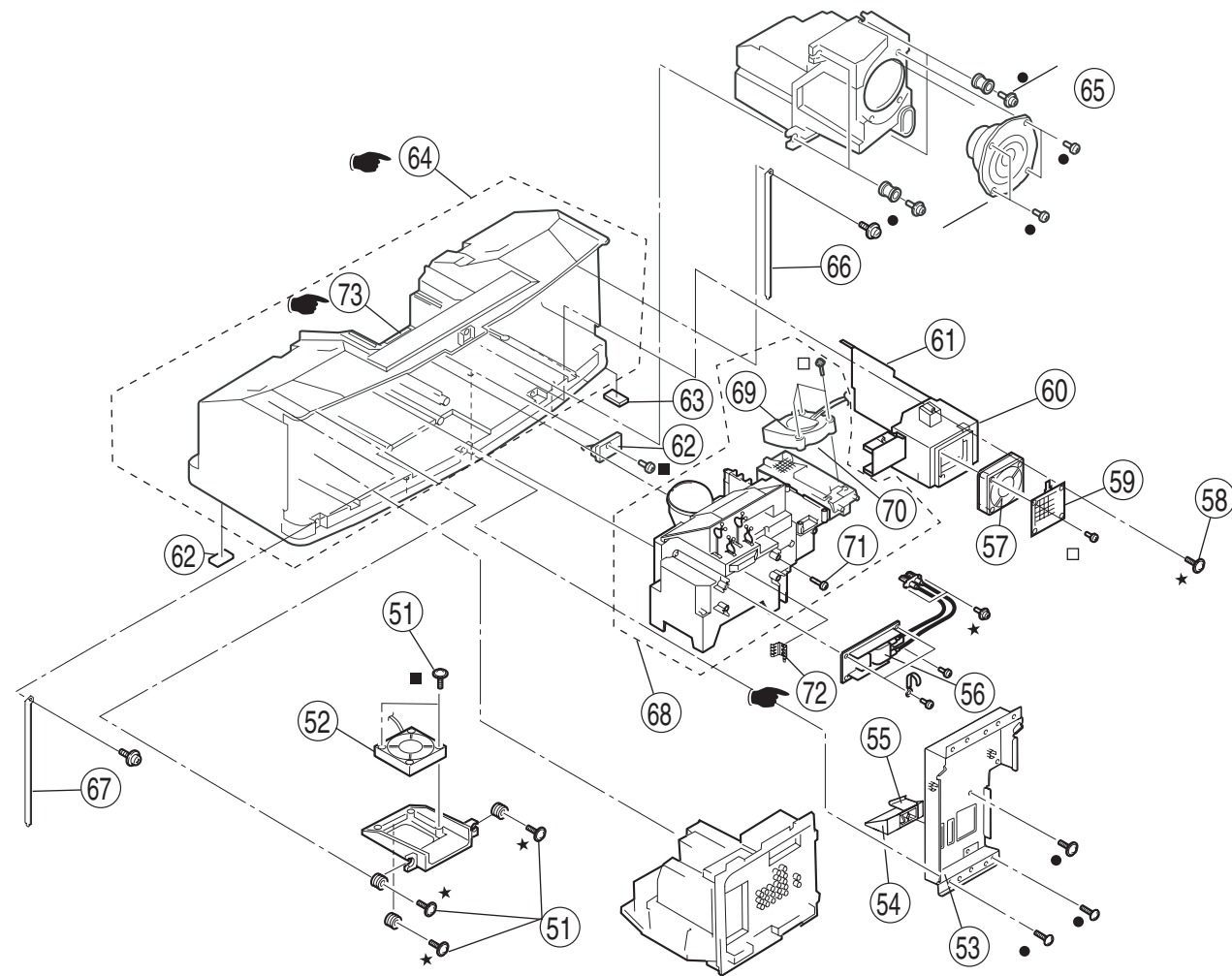
NOTE: The components identified by shading and \triangle mark are critical for safety. Replace only with part number specified.

NOTE: Les composants identifiés par un trame et une marque \triangle sont critiques pour la sécurité. Ne les remplacer que par une pièce portant le numéro spécifié.


4-2. BOTTOM CABINET


- 7-685-648-79 SCREW +BVTP 3X12 TYPE2 IT-3
- 7-685-663-79 SCREW +BVTP 4X16 TYPE2 IT-3
- ★ 4-302-404-03 SCREW (WASHER HEAD) (+P 4X16)
- 4-064-929-02 SCREW, TP+TWH 4X25

Caution:
When replacing the Optics Unit Block Assembly or the DC Fan be sure to remove any dust particles.



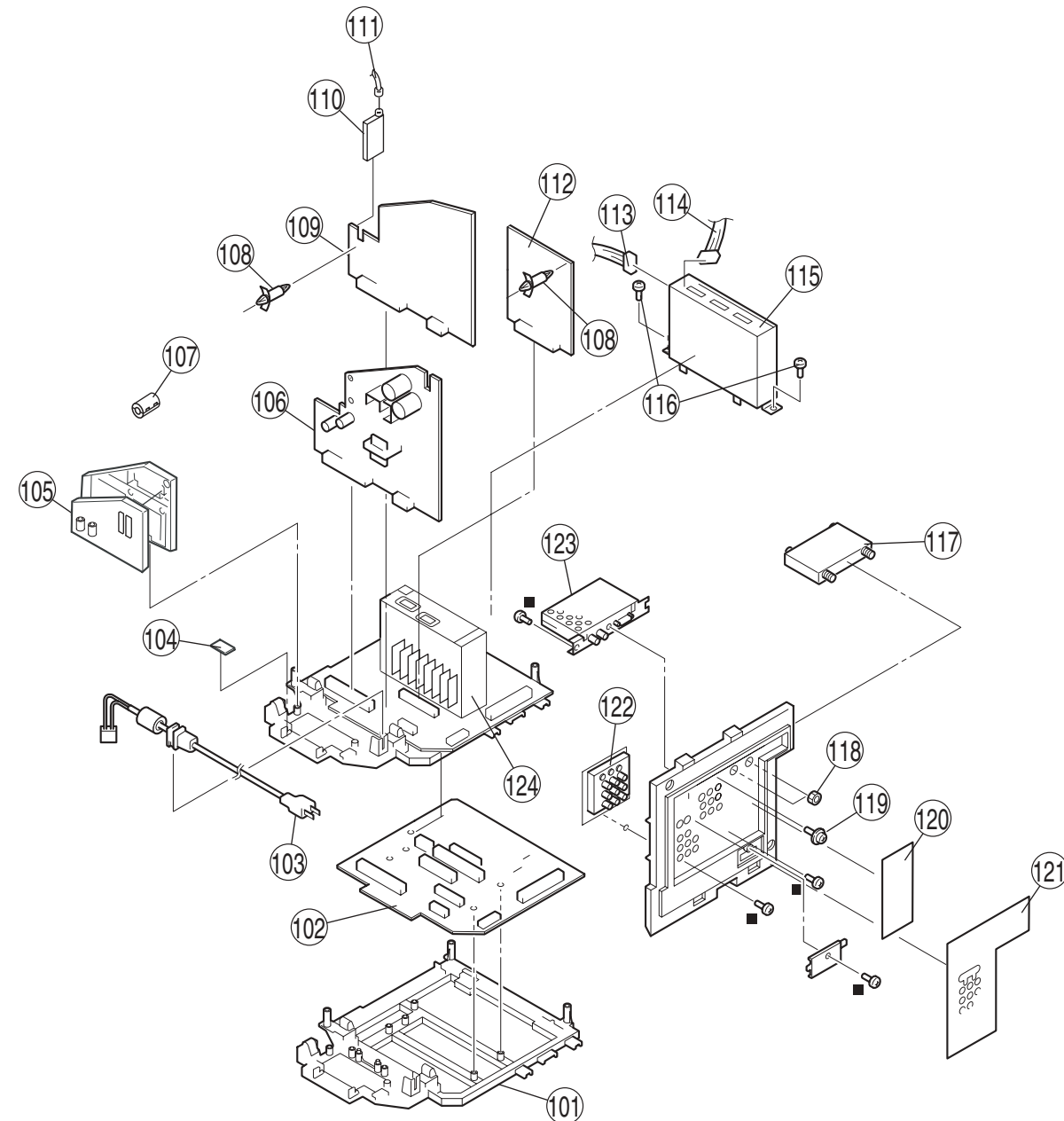
REF. NO.	PART NO.	DESCRIPTION	[ASSEMBLY INCLUDES]	REF. NO.	PART NO.	DESCRIPTION	[ASSEMBLY INCLUDES]
51	4-302-404-03	SCREW (WASHER HEAD) (+P 4X16)		62	A-1060-191-A	T BOARD, MOUNTED	
\triangle *52	1-787-081-11	FAN, DC		63	4-097-548-01	CUSHION, FOOT	
* 53	2-024-923-01	BRACKET, OU		64	X-2021-363-1	CABINET ASSY, BOTTOM	[73]
* 54	X-2021-365-1	ADJUSTER ASSY		65	1-825-970-11	LOUDSPEAKER (15CM)	
\triangle 56	1-468-875-11	POWER SUPPLY BLOCK		66	2-024-925-01	STAY (R), SIDE	
55	2-159-411-01	SPRING, OPT		67	2-024-924-01	STAY (L), SIDE	
\triangle *57	1-787-232-11	D.C. FAN		\triangle 68	A-1084-662-A	OPTICS UNIT BLOCK(IRP) ASSY (KDF-55WF655 ONLY)	[69-71]
58	7-685-648-79	SCREW +BVTP 3X12 TYPE2 IT-3		\triangle 68	A-1084-664-A	OPTICS UNIT BLOCK(IRP) ASSY (KDF-60WF655 ONLY)	[69-71]
59	2-055-936-01	PLATE, 120 FAN		69	2-055-931-01	DUCT, LAMP FAN	
* 60	2-055-928-01	FAN BRACKET, DUCT		70	1-787-065-11	D.C. FAN (SIROCCO)	
61	2-050-988-01	FAN BRACKET (2), DUCT		71	4-319-520-11	SCREW, SPECIAL (+PW4X30)	
				72	4-077-652-01	CUSHION (A)	
				73	2-055-353-01	SPRING, EMI C	




NOTE: The components identified by shading and  mark are critical for safety. Replace only with part number specified.

NOTE: Les composants identifiés par un trame et une marque  sont critiques pour la sécurité. Ne les remplacer que par une pièce portant le numéro spécifique.

4-3. CHASSIS

■ 7-685-648-79 SCREW +BVTP 3X12 TYPE2 IT-3



REF. NO.	PART NO.	DESCRIPTION	[ASSEMBLY INCLUDES]	REF. NO.	PART NO.	DESCRIPTION	[ASSEMBLY INCLUDES]
*	101	4-103-435-01	MAIN BRACKET	116	4-029-432-01	SCREW (3X12), (+) BVWHTP	
	102	A-1060-178-B	G2 BOARD, COMPLETE	117	8-597-906-00	ANTENNA SWITCH RFD-SA801	
	103	1-791-192-21	CORD, NOISE FILTER WITH POWER	118	3-682-691-00	NUT, WASHER HEXAGON	
*	104	A-1054-674-A	H4 BOARD, MOUNTED	119	7-685-648-79	SCREW +BVTP 3X12 TYPE2 IT-3	
	105	A-1060-176-A	F BOARD, COMPLETE	120	2-048-669-01	LABEL, TERMINAL (DIGITAL)	
	106	A-1060-177-A	G1 BOARD, COMPLETE	121	2-048-668-01	LABEL, TERMINAL	
	107	1-500-082-11	CLAMP, SLEEVE FERRITE	122	A-1054-666-A	U BOARD, MOUNTED	
*	108	4-092-047-01	CIRCUIT BOARD SUPPORTS	*	123	A-1068-754-A	P BOARD, COMPLETE
	109	A-1060-166-A	A BOARD, COMPLETE	124	A-1058-689-A	Q BOX ASSEMBLY	
	110	8-598-594-10	TUNER, FSS BTF-FA421				The Q Box Assembly contains the QT Board, the QM Board, and the QU Board. These boards cannot be ordered separately.
*	111	1-557-056-31	CABLE, P-P				
	112	A-1060-187-A	KD BOARD, COMPLETE				
	113	1-910-004-95	17P CONNECTOR ASSY (LVDS CABLE)				
	114	1-910-004-94	17P CONNECTOR ASSY (LVDS CABLE)				
	115	A-1060-168-E	B BOARD, COMPLETE				

SECTION 5: ELECTRICAL PARTS LIST

NOTE: The components identified by shading and Δ mark are critical for safety. Replace only with part number specified.

NOTE: Les composants identifiés par un trame et une marque Δ sont critiques pour la sécurité. Ne les remplacer que par une pièce portant le numéro spécifique.

* Items marked with an asterisk are not stocked since they are seldom required for routine service. Expect some delay when ordering these components.

RESISTORS

- All resistors are in ohms
- F : nonflammable
- All variable and adjustable resistors have characteristic curve B, unless otherwise noted.

When ordering parts by reference number, please include the board name.

REF. NO.	PART NO.	DESCRIPTION	VALUES	REF. NO.	PART NO.	DESCRIPTION	VALUES
<div style="border: 1px solid black; padding: 5px; display: inline-block;">U</div> * A-1054-666-A U BOARD, MOUNTED				CONNECTOR			
				CN9401	1-778-398-11	CONNECTOR, BOARD TO BOARD	15P
				* CN9402	1-691-632-22	CONNECTOR, BOARD TO BOARD	15P
CAPACITOR C9401 1-125-891-11 CERAMIC CHIP 0.47 μ F 10% 10V C9402 1-162-970-11 CERAMIC CHIP 0.01 μ F 10% 25V C9403 1-162-964-11 CERAMIC CHIP 0.001 μ F 10% 50V C9404 1-164-505-11 CERAMIC CHIP 2.2 μ F 16V C9405 1-162-964-11 CERAMIC CHIP 0.001 μ F 10% 50V C9406 1-162-964-11 CERAMIC CHIP 0.001 μ F 10% 50V C9407 1-162-964-11 CERAMIC CHIP 0.001 μ F 10% 50V C9408 1-125-891-11 CERAMIC CHIP 0.47 μ F 10% 10V C9409 1-125-891-11 CERAMIC CHIP 0.47 μ F 10% 10V C9410 1-162-970-11 CERAMIC CHIP 0.01 μ F 10% 25V C9411 1-164-505-11 CERAMIC CHIP 2.2 μ F 16V C9412 1-162-964-11 CERAMIC CHIP 0.001 μ F 10% 50V C9413 1-162-964-11 CERAMIC CHIP 0.001 μ F 10% 50V C9415 1-162-970-11 CERAMIC CHIP 0.01 μ F 10% 25V C9416 1-164-505-11 CERAMIC CHIP 2.2 μ F 16V C9417 1-164-505-11 CERAMIC CHIP 2.2 μ F 16V C9418 1-164-505-11 CERAMIC CHIP 2.2 μ F 16V C9419 1-164-505-11 CERAMIC CHIP 2.2 μ F 16V C9420 1-164-505-11 CERAMIC CHIP 2.2 μ F 16V C9421 1-164-505-11 CERAMIC CHIP 2.2 μ F 16V C9422 1-164-505-11 CERAMIC CHIP 2.2 μ F 16V C9423 1-164-505-11 CERAMIC CHIP 2.2 μ F 16V C9424 1-164-505-11 CERAMIC CHIP 2.2 μ F 16V C9426 1-164-505-11 CERAMIC CHIP 2.2 μ F 16V				DIODE			
				D9403	8-719-977-28	DIODE	DTZ10B
				JACK			
				J9401	1-774-748-11	TERMINAL BLOCK, S	
				J9402	1-573-967-12	BLOCK, (S) TERMINAL	
				RESISTOR			
				R9401	1-218-665-11	METAL CHIP	75 0.50% 1/10W
				R9402	1-218-665-11	METAL CHIP	75 0.50% 1/10W
				R9403	1-216-864-11	SHORT CHIP	
				R9404	1-216-864-11	SHORT CHIP	
				R9405	1-216-849-11	METAL CHIP	220K 5% 1/10W
				R9406	1-216-849-11	METAL CHIP	220K 5% 1/10W
				R9407	1-218-665-11	METAL CHIP	75 0.50% 1/10W
				R9408	1-218-665-11	METAL CHIP	75 0.50% 1/10W
				R9409	1-216-864-11	SHORT CHIP	
				R9410	1-216-849-11	METAL CHIP	220K 5% 1/10W
				R9411	1-216-849-11	METAL CHIP	220K 5% 1/10W
				R9412	1-216-821-11	METAL CHIP	1K 5% 1/10W
				R9413	1-216-821-11	METAL CHIP	1K 5% 1/10W
				R9414	1-216-849-11	METAL CHIP	220K 5% 1/10W
				R9415	1-216-849-11	METAL CHIP	220K 5% 1/10W
				R9416	1-216-821-11	METAL CHIP	1K 5% 1/10W
				R9417	1-216-821-11	METAL CHIP	1K 5% 1/10W
				R9418	1-216-864-11	SHORT CHIP	



REF. NO.	PART NO.	DESCRIPTION	VALUES			REF. NO.	PART NO.	DESCRIPTION	VALUES		
C8007	1-164-360-11	CERAMIC CHIP	0.1μF		16V	C8065	1-162-913-11	CERAMIC CHIP	8pF	0.50pF	50V
C8008	1-107-826-11	CERAMIC CHIP	0.1μF	10%	16V	C8066	1-107-826-11	CERAMIC CHIP	0.1μF	10%	16V
C8009	1-107-826-11	CERAMIC CHIP	0.1μF	10%	16V						
C8010	1-127-931-21	ELECT CHIP	470μF	20%	16V	C8067	1-107-826-11	CERAMIC CHIP	0.1μF	10%	16V
C8011	1-127-931-21	ELECT CHIP	470μF	20%	16V	C8068	1-107-826-11	CERAMIC CHIP	0.1μF	10%	16V
						C8069	1-107-826-11	CERAMIC CHIP	0.1μF	10%	16V
C8012	1-107-826-11	CERAMIC CHIP	0.1μF	10%	16V	C8070	1-107-826-11	CERAMIC CHIP	0.1μF	10%	16V
C8013	1-117-720-11	CERAMIC CHIP	4.7μF		10V	C8071	1-164-505-11	CERAMIC CHIP	2.2μF		16V
C8014	1-124-779-00	ELECT CHIP	10μF	20%	16V						
C8015	1-162-966-11	CERAMIC CHIP	0.0022μF	10%	50V	C8072	1-164-505-11	CERAMIC CHIP	2.2μF		16V
C8016	1-117-681-11	ELECT CHIP	100μF	20%	16V	C8073	1-117-720-11	CERAMIC CHIP	4.7μF		10V
						C8074	1-164-505-11	CERAMIC CHIP	2.2μF		16V
C8018	1-165-908-11	CERAMIC CHIP	1μF	10%	10V	C8075	1-164-505-11	CERAMIC CHIP	2.2μF		16V
C8019	1-107-826-11	CERAMIC CHIP	0.1μF	10%	16V	C8076	1-164-505-11	CERAMIC CHIP	2.2μF		16V
C8021	1-165-908-11	CERAMIC CHIP	1μF	10%	10V						
C8022	1-162-970-11	CERAMIC CHIP	0.01μF	10%	25V	C8077	1-127-931-21	ELECT CHIP	470μF	20%	16V
C8030	1-128-407-11	ELECT CHIP	47μF	20%	50V	C8078	1-127-931-21	ELECT CHIP	470μF	20%	16V
						C8080	1-124-779-00	ELECT CHIP	10μF	20%	16V
C8031	1-162-966-11	CERAMIC CHIP	0.0022μF	10%	50V	C8081	1-124-779-00	ELECT CHIP	10μF	20%	16V
C8032	1-117-681-11	ELECT CHIP	100μF	20%	16V	C8082	1-162-968-11	CERAMIC CHIP	0.0047μF	10%	50V
C8033	1-162-966-11	CERAMIC CHIP	0.0022μF	10%	50V						
C8036	1-162-966-11	CERAMIC CHIP	0.0022μF	10%	50V	C8083	1-162-968-11	CERAMIC CHIP	0.0047μF	10%	50V
C8037	1-117-681-11	ELECT CHIP	100μF	20%	16V	C8084	1-165-908-11	CERAMIC CHIP	1μF	10%	10V
						C8085	1-165-908-11	CERAMIC CHIP	1μF	10%	10V
C8041	1-162-966-11	CERAMIC CHIP	0.0022μF	10%	50V	C8086	1-162-964-11	CERAMIC CHIP	0.001μF	10%	50V
C8042	1-117-681-11	ELECT CHIP	100μF	20%	16V	C8087	1-162-964-11	CERAMIC CHIP	0.001μF	10%	50V
C8043	1-164-156-11	CERAMIC CHIP	0.1μF		25V						
C8044	1-117-681-11	ELECT CHIP	100μF	20%	16V	C8088	1-165-908-11	CERAMIC CHIP	1μF	10%	10V
C8045	1-107-826-11	CERAMIC CHIP	0.1μF	10%	16V	C8089	1-162-964-11	CERAMIC CHIP	0.001μF	10%	50V
						C8090	1-165-908-11	CERAMIC CHIP	1μF	10%	10V
C8046	1-107-826-11	CERAMIC CHIP	0.1μF	10%	16V	C8091	1-162-964-11	CERAMIC CHIP	0.001μF	10%	50V
C8047	1-128-994-21	ELECT CHIP	47μF	20%	10V	C8092	1-117-681-11	ELECT CHIP	100μF	20%	16V
C8048	1-107-826-11	CERAMIC CHIP	0.1μF	10%	16V						
C8049	1-164-505-11	CERAMIC CHIP	2.2μF		16V	C8093	1-117-681-11	ELECT CHIP	100μF	20%	16V
C8050	1-164-505-11	CERAMIC CHIP	2.2μF		16V	C8094	1-117-681-11	ELECT CHIP	100μF	20%	16V
						C8095	1-117-681-11	ELECT CHIP	100μF	20%	16V
C8051	1-162-970-11	CERAMIC CHIP	0.01μF	10%	25V	C8096	1-117-681-11	ELECT CHIP	100μF	20%	16V
C8052	1-164-156-11	CERAMIC CHIP	0.1μF		25V	C8097	1-117-681-11	ELECT CHIP	100μF	20%	16V
C8053	1-165-176-11	CERAMIC CHIP	0.047μF	10%	16V						
C8054	1-115-156-11	CERAMIC CHIP	1μF		10V	C8098	1-127-931-21	ELECT CHIP	470μF	20%	16V
C8055	1-162-961-11	CERAMIC CHIP	330pF	10%	50V	C8099	1-107-826-11	CERAMIC CHIP	0.1μF	10%	16V
						C8100	1-117-720-11	CERAMIC CHIP	4.7μF		10V
C8056	1-127-804-91	CERAMIC CHIP	100pF	1%	50V	C8101	1-127-931-21	ELECT CHIP	470μF	20%	16V
C8057	1-165-176-11	CERAMIC CHIP	0.047μF	10%	16V	C8107	1-162-915-11	CERAMIC CHIP	10pF	0.50pF	50V
C8058	1-115-156-11	CERAMIC CHIP	1μF		10V						
C8059	1-164-230-11	CERAMIC CHIP	220pF	5%	50V	C8108	1-127-931-21	ELECT CHIP	470μF	20%	16V
C8061	1-109-982-11	CERAMIC CHIP	1μF	10%	10V	C8200	1-127-715-91	CERAMIC CHIP	0.22μF	10%	16V
						C8201	1-128-996-11	ELECT CHIP	4.7μF	20%	50V
C8062	1-107-826-11	CERAMIC CHIP	0.1μF	10%	16V	C8202	1-117-681-11	ELECT CHIP	100μF	20%	16V
C8063	1-165-908-11	CERAMIC CHIP	1μF	10%	10V	C8203	1-107-826-11	CERAMIC CHIP	0.1μF	10%	16V
C8064	1-107-826-11	CERAMIC CHIP	0.1μF	10%	16V						



REF. NO.	PART NO.	DESCRIPTION	VALUES			REF. NO.	PART NO.	DESCRIPTION	VALUES		
C8204	1-124-779-00	ELECT CHIP	10μF	20%	16V	C8325	1-117-681-11	ELECT CHIP	100μF	20%	16V
C8205	1-164-360-11	CERAMIC CHIP	0.1μF		16V	C8326	1-164-156-11	CERAMIC CHIP	0.1μF		25V
C8206	1-117-681-11	ELECT CHIP	100μF	20%	16V	C8327	1-117-681-11	ELECT CHIP	100μF	20%	16V
C8207	1-164-230-11	CERAMIC CHIP	220pF	5%	50V	C8328	1-165-875-11	CERAMIC CHIP	10μF	10%	10V
C8208	1-164-230-11	CERAMIC CHIP	220pF	5%	50V	C8329	1-107-826-11	CERAMIC CHIP	0.1μF	10%	16V
C8209	1-127-573-11	CERAMIC CHIP	1μF	10%	16V	C8330	1-107-826-11	CERAMIC CHIP	0.1μF	10%	16V
C8210	1-127-573-11	CERAMIC CHIP	1μF	10%	16V	C8331	1-107-826-11	CERAMIC CHIP	0.1μF	10%	16V
C8220	1-136-167-00	FILM	0.15μF	5%	50V	C8332	1-135-960-91	CERAMIC CHIP	10μF	10%	25V
C8221	1-136-159-00	FILM	0.033μF	5%	50V	C8333	1-107-826-11	CERAMIC CHIP	0.1μF	10%	16V
C8222	1-136-167-00	FILM	0.15μF	5%	50V	C8334	1-107-826-11	CERAMIC CHIP	0.1μF	10%	16V
C8223	1-136-159-00	FILM	0.033μF	5%	50V	C8335	1-117-681-11	ELECT CHIP	100μF	20%	16V
C8224	1-162-915-11	CERAMIC CHIP	10pF	0.50pF	50V	C8336	1-164-004-11	CERAMIC CHIP	0.1μF	10%	25V
C8225	1-107-826-11	CERAMIC CHIP	0.1μF	10%	16V	C8337	1-162-917-11	CERAMIC CHIP	15pF	5%	50V
C8226	1-162-915-11	CERAMIC CHIP	10pF	0.50pF	50V	C8338	1-162-917-11	CERAMIC CHIP	15pF	5%	50V
C8227	1-128-992-21	ELECT CHIP	47μF	20%	25V	C8339	1-164-004-11	CERAMIC CHIP	0.1μF	10%	25V
C8228	1-162-923-11	CERAMIC CHIP	47pF	5%	50V	C8340	1-135-960-91	CERAMIC CHIP	10μF	10%	25V
C8229	1-162-923-11	CERAMIC CHIP	47pF	5%	50V	C8341	1-164-156-11	CERAMIC CHIP	0.1μF		25V
C8230	1-162-923-11	CERAMIC CHIP	47pF	5%	50V	C8342	1-164-156-11	CERAMIC CHIP	0.1μF		25V
C8231	1-162-923-11	CERAMIC CHIP	47pF	5%	50V	C8343	1-135-960-91	CERAMIC CHIP	10μF	10%	25V
C8232	1-136-161-00	FILM	0.047μF	5%	50V	C8346	1-100-118-21	ELECT CHIP	82μF	20%	16V
C8233	1-136-161-00	FILM	0.047μF	5%	50V	C8347	1-100-118-21	ELECT CHIP	82μF	20%	16V
C8301	1-127-931-21	ELECT CHIP	470μF	20%	16V	C8350	1-107-826-11	CERAMIC CHIP	0.1μF	10%	16V
C8302	1-162-917-11	CERAMIC CHIP	15pF	5%	50V	C8351	1-164-315-11	CERAMIC CHIP	470pF	5%	50V
C8303	1-117-681-11	ELECT CHIP	100μF	20%	16V	C8352	1-162-915-11	CERAMIC CHIP	10pF	0.50pF	50V
C8304	1-164-156-11	CERAMIC CHIP	0.1μF		25V	C8353	1-107-826-11	CERAMIC CHIP	0.1μF	10%	16V
C8305	1-164-227-11	CERAMIC CHIP	0.022μF	10%	25V	C8354	1-107-826-11	CERAMIC CHIP	0.1μF	10%	16V
C8306	1-162-964-11	CERAMIC CHIP	0.001μF	10%	50V	C8355	1-125-891-11	CERAMIC CHIP	0.47μF	10%	10V
C8307	1-100-118-21	ELECT CHIP	82μF	20%	16V	C8356	1-125-891-11	CERAMIC CHIP	0.47μF	10%	10V
C8308	1-164-156-11	CERAMIC CHIP	0.1μF		25V	C8357	1-125-891-11	CERAMIC CHIP	0.47μF	10%	10V
C8309	1-107-826-11	CERAMIC CHIP	0.1μF	10%	16V	C8358	1-107-826-11	CERAMIC CHIP	0.1μF	10%	16V
C8310	1-107-826-11	CERAMIC CHIP	0.1μF	10%	16V	C8359	1-110-530-11	ELECT CHIP	1000μF	20%	6.3V
C8311	1-107-826-11	CERAMIC CHIP	0.1μF	10%	16V	C8360	1-110-530-11	ELECT CHIP	1000μF	20%	6.3V
C8312	1-162-923-11	CERAMIC CHIP	47pF	5%	50V	C8361	1-117-681-11	ELECT CHIP	100μF	20%	16V
C8313	1-107-826-11	CERAMIC CHIP	0.1μF	10%	16V	C8362	1-164-156-11	CERAMIC CHIP	0.1μF		25V
C8314	1-124-779-00	ELECT CHIP	10μF	20%	16V	C8365	1-128-996-11	ELECT CHIP	4.7μF	20%	50V
C8315	1-164-677-11	CERAMIC CHIP	0.033μF	10%	16V	C8366	1-164-156-11	CERAMIC CHIP	0.1μF		25V
C8316	1-164-677-11	CERAMIC CHIP	0.033μF	10%	16V	C8367	1-117-681-11	ELECT CHIP	100μF	20%	16V
C8319	1-164-156-11	CERAMIC CHIP	0.1μF		25V	C8368	1-162-970-11	CERAMIC CHIP	0.01μF	10%	25V
C8320	1-164-156-11	CERAMIC CHIP	0.1μF		25V	C8369	1-164-156-11	CERAMIC CHIP	0.1μF		25V
C8321	1-164-156-11	CERAMIC CHIP	0.1μF		25V	C8370	1-125-891-11	CERAMIC CHIP	0.47μF	10%	10V
C8322	1-164-156-11	CERAMIC CHIP	0.1μF		25V	C8372	1-128-996-11	ELECT CHIP	4.7μF	20%	50V
C8323	1-162-966-11	CERAMIC CHIP	0.0022μF	10%	50V	C8373	1-162-970-11	CERAMIC CHIP	0.01μF	10%	25V
C8324	1-162-967-11	CERAMIC CHIP	0.0033μF	10%	50V						



REF. NO.	PART NO.	DESCRIPTION	VALUES	REF. NO.	PART NO.	DESCRIPTION	VALUES	
*	CN8006	1-778-959-11	CONNECTOR,BOARD TO BOARD	6P	<u>FILTER</u>			
*	CN8008	1-785-532-11	PIN, CONNECTOR (PC BOARD)	14P	FL8001	1-239-848-21	FILTER, LOW PASS	
*	CN8009	1-564-507-11	PLUG, CONNECTOR	4P	FL8002	1-239-848-21	FILTER, LOW PASS	
	CN8039	1-695-915-11	TAB (CONTACT)		FL8003	1-239-848-21	FILTER, LOW PASS	
	CN8041	1-695-915-11	TAB (CONTACT)		<u>IC</u>			
<u>DIODE</u>				IC8001	8-753-204-12	IC	CXA2209Q-T6	
D8001	8-719-977-28	DIODE	DTZ10B	IC8002	6-706-805-01	IC	TL52055DR	
D8002	8-719-977-28	DIODE	DTZ10B	IC8200	8-759-278-58	IC	NJM4558V-TE2	
D8003	8-719-914-43	DIODE	DAN202K	IC8220	8-759-278-58	IC	NJM4558V-TE2	
D8006	8-719-977-28	DIODE	DTZ10B	IC8301	8-752-394-69	IC	CXD2073Q-T4	
D8007	8-719-977-28	DIODE	DTZ10B	IC8302	6-702-510-01	IC	TPS5120DBTR	
D8008	8-719-977-28	DIODE	DTZ10B	IC8303	8-752-102-21	IC	CXA2103AQ	
D8009	8-719-977-28	DIODE	DTZ10B	IC8502	8-752-107-98	IC	CXA2188Q-T4	
D8010	8-719-977-28	DIODE	DTZ10B	IC8504	6-702-716-01	IC	NJW1149	
D8011	8-719-977-28	DIODE	DTZ10B	IC8505	8-759-278-58	IC	NJM4558V-TE2	
D8023	8-719-158-02	DIODE	RD3.9SB2	IC8506	8-759-278-58	IC	NJM4558V-TE2	
D8200	8-719-041-97	DIODE	MA113-(TX)	IC8701	6-704-407-01	IC	PQ1CZ41H2ZPH	
D8201	8-719-081-97	DIODE	MMDL914T1	<u>JACK</u>				
D8202	8-719-041-97	DIODE	MA113-(TX)	J8001	1-565-790-21	JACK, SMALL TYPE	2P	
D8203	8-719-977-28	DIODE	DTZ10B	*	J8002	1-818-708-11	JACK, PIN	6P
D8204	8-719-050-37	DIODE	M1MA152WA-T1	*	J8004	1-818-709-11	PHONO JACK	6P
D8205	8-719-914-43	DIODE	DAN202K	<u>COIL</u>				
D8301	8-719-081-67	DIODE	M1FM3	L8001	1-400-397-11	INDUCTOR	10μH	
D8302	8-719-081-67	DIODE	M1FM3	L8002	1-400-397-11	INDUCTOR	10μH	
D8305	8-719-056-78	DIODE	UDZ-TE-17-4.3B	L8003	1-469-555-21	INDUCTOR	10μH	
D8306	8-719-056-78	DIODE	UDZ-TE-17-4.3B	L8004	1-469-320-21	INDUCTOR	100μH	
D8307	8-719-081-97	DIODE	MMDL914T1	L8006	1-469-317-21	INDUCTOR	10μH	
D8308	8-719-081-97	DIODE	MMDL914T1	L8008	1-469-320-21	INDUCTOR	100μH	
D8501	8-719-071-74	DIODE	HZU11B1TRF	L8010	1-414-856-11	INDUCTOR	10μH	
D8701	8-719-080-41	DIODE	RB063L-30TE25	L8011	1-414-856-11	INDUCTOR	10μH	
D8702	6-500-294-01	DIODE	PTZ-TE25-3.9B	L8015	1-400-397-11	INDUCTOR	10μH	
<u>FERRITE BEAD</u>				L8016	1-400-397-11	INDUCTOR	10μH	
FB8003	1-414-228-11	FERRITE	0μH	L8017	1-414-856-11	INDUCTOR	10μH	
FB8004	1-216-295-91	SHORT CHIP		L8018	1-414-856-11	INDUCTOR	10μH	
FB8005	1-216-295-91	SHORT CHIP		L8019	1-414-856-11	INDUCTOR	10μH	
FB8006	1-216-295-91	SHORT CHIP		L8301	1-400-397-11	INDUCTOR	10μH	
FB8007	1-216-295-91	SHORT CHIP		L8302	1-424-789-41	INDUCTOR	10μH	
FB8012	1-414-233-22	FERRITE	0μH					
FB8013	1-414-233-22	FERRITE	0μH					
FB8016	1-414-229-11	FERRITE	0μH					
FB8017	1-414-229-11	FERRITE	0μH					



REF. NO.	PART NO.	DESCRIPTION	VALUES			REF. NO.	PART NO.	DESCRIPTION	VALUES		
R8009	1-216-853-11	METAL CHIP	470K	5%	1/10W	R8056	1-216-825-11	METAL CHIP	2.2K	5%	1/10W
R8010	1-216-853-11	METAL CHIP	470K	5%	1/10W	R8057	1-216-824-11	METAL CHIP	1.8K	5%	1/10W
R8013	1-216-821-11	METAL CHIP	1K	5%	1/10W	R8058	1-216-833-11	METAL CHIP	10K	5%	1/10W
R8014	1-216-821-11	METAL CHIP	1K	5%	1/10W	R8059	1-216-821-11	METAL CHIP	1K	5%	1/10W
R8015	1-216-821-11	METAL CHIP	1K	5%	1/10W	R8060	1-216-825-11	METAL CHIP	2.2K	5%	1/10W
R8016	1-216-821-11	METAL CHIP	1K	5%	1/10W	R8061	1-216-824-11	METAL CHIP	1.8K	5%	1/10W
R8017	1-216-821-11	METAL CHIP	1K	5%	1/10W	R8063	1-218-668-11	METAL CHIP	100	0.50%	1/10W
R8018	1-216-821-11	METAL CHIP	1K	5%	1/10W	R8064	1-218-668-11	METAL CHIP	100	0.50%	1/10W
R8019	1-216-864-11	SHORT CHIP				R8066	1-218-668-11	METAL CHIP	100	0.50%	1/10W
R8020	1-216-864-11	SHORT CHIP				R8068	1-216-821-11	METAL CHIP	1K	5%	1/10W
R8021	1-216-853-11	METAL CHIP	470K	5%	1/10W	R8069	1-216-833-11	METAL CHIP	10K	5%	1/10W
R8022	1-216-853-11	METAL CHIP	470K	5%	1/10W	R8070	1-216-821-11	METAL CHIP	1K	5%	1/10W
R8023	1-216-821-11	METAL CHIP	1K	5%	1/10W	R8071	1-216-809-11	METAL CHIP	100	5%	1/10W
R8024	1-216-821-11	METAL CHIP	1K	5%	1/10W	R8072	1-216-843-11	METAL CHIP	68K	5%	1/10W
R8025	1-216-833-11	METAL CHIP	10K	5%	1/10W	R8073	1-216-857-11	METAL CHIP	1M	5%	1/10W
R8026	1-216-833-11	METAL CHIP	10K	5%	1/10W	R8074	1-218-889-11	METAL CHIP	56K	0.50%	1/10W
R8027	1-216-821-11	METAL CHIP	1K	5%	1/10W	R8075	1-216-829-11	METAL CHIP	4.7K	5%	1/10W
R8028	1-216-821-11	METAL CHIP	1K	5%	1/10W	R8076	1-216-821-11	METAL CHIP	1K	5%	1/10W
R8029	1-218-665-11	METAL CHIP	75	0.50%	1/10W	R8077	1-216-813-11	METAL CHIP	220	5%	1/10W
R8030	1-218-665-11	METAL CHIP	75	0.50%	1/10W	R8078	1-216-801-11	METAL CHIP	22	5%	1/10W
R8031	1-216-864-11	SHORT CHIP				R8079	1-216-801-11	METAL CHIP	22	5%	1/10W
R8032	1-216-864-11	SHORT CHIP				R8080	1-216-809-11	METAL CHIP	100	5%	1/10W
R8033	1-218-665-11	METAL CHIP	75	0.50%	1/10W	R8081	1-216-809-11	METAL CHIP	100	5%	1/10W
R8034	1-216-808-11	METAL CHIP	82	5%	1/10W	R8082	1-216-833-11	METAL CHIP	10K	5%	1/10W
R8035	1-216-807-11	METAL CHIP	68	5%	1/10W	R8083	1-216-809-11	METAL CHIP	100	5%	1/10W
R8036	1-216-809-11	METAL CHIP	100	5%	1/10W	R8084	1-216-843-11	METAL CHIP	68K	5%	1/10W
R8037	1-216-809-11	METAL CHIP	100	5%	1/10W	R8085	1-216-809-11	METAL CHIP	100	5%	1/10W
R8039	1-216-809-11	METAL CHIP	100	5%	1/10W	R8086	1-216-809-11	METAL CHIP	100	5%	1/10W
R8040	1-216-819-11	METAL CHIP	680	5%	1/10W	R8087	1-216-809-11	METAL CHIP	100	5%	1/10W
R8041	1-218-665-11	METAL CHIP	75	0.50%	1/10W	R8088	1-216-809-11	METAL CHIP	100	5%	1/10W
R8042	1-218-665-11	METAL CHIP	75	0.50%	1/10W	R8089	1-216-809-11	METAL CHIP	100	5%	1/10W
R8043	1-216-809-11	METAL CHIP	100	5%	1/10W	R8091	1-216-821-11	METAL CHIP	1K	5%	1/10W
R8044	1-216-821-11	METAL CHIP	1K	5%	1/10W	R8092	1-216-809-11	METAL CHIP	100	5%	1/10W
R8046	1-218-665-11	METAL CHIP	75	0.50%	1/10W	R8093	1-216-809-11	METAL CHIP	100	5%	1/10W
R8047	1-216-819-11	METAL CHIP	680	5%	1/10W	R8094	1-216-809-11	METAL CHIP	100	5%	1/10W
R8048	1-216-845-11	METAL CHIP	100K	5%	1/10W	R8095	1-216-833-11	METAL CHIP	10K	5%	1/10W
R8049	1-216-864-11	SHORT CHIP				R8096	1-216-809-11	METAL CHIP	100	5%	1/10W
R8050	1-216-864-11	SHORT CHIP				R8097	1-216-809-11	METAL CHIP	100	5%	1/10W
R8051	1-216-821-11	METAL CHIP	1K	5%	1/10W	R8098	1-216-809-11	METAL CHIP	100	5%	1/10W
R8052	1-216-864-11	SHORT CHIP				R8099	1-216-809-11	METAL CHIP	100	5%	1/10W
R8053	1-216-821-11	METAL CHIP	1K	5%	1/10W	R8100	1-216-809-11	METAL CHIP	100	5%	1/10W
R8054	1-216-811-11	METAL CHIP	150	5%	1/10W	R8101	1-216-809-11	METAL CHIP	100	5%	1/10W
R8055	1-216-817-11	METAL CHIP	470	5%	1/10W						



REF. NO.	PART NO.	DESCRIPTION	VALUES			REF. NO.	PART NO.	DESCRIPTION	VALUES		
R8102	1-216-809-11	METAL CHIP	100	5%	1/10W	R8155	1-216-845-11	METAL CHIP	100K	5%	1/10W
R8103	1-216-809-11	METAL CHIP	100	5%	1/10W	R8156	1-216-849-11	METAL CHIP	220K	5%	1/10W
R8104	1-216-809-11	METAL CHIP	100	5%	1/10W						
R8105	1-216-809-11	METAL CHIP	100	5%	1/10W	R8158	1-216-833-11	METAL CHIP	10K	5%	1/10W
R8106	1-216-809-11	METAL CHIP	100	5%	1/10W	R8159	1-216-849-11	METAL CHIP	220K	5%	1/10W
						R8161	1-216-849-11	METAL CHIP	220K	5%	1/10W
R8107	1-216-809-11	METAL CHIP	100	5%	1/10W	R8162	1-216-813-11	METAL CHIP	220	5%	1/10W
R8108	1-216-809-11	METAL CHIP	100	5%	1/10W	R8163	1-216-845-11	METAL CHIP	100K	5%	1/10W
R8109	1-216-809-11	METAL CHIP	100	5%	1/10W						
R8110	1-216-809-11	METAL CHIP	100	5%	1/10W	R8165	1-216-841-11	METAL CHIP	47K	5%	1/10W
R8111	1-216-809-11	METAL CHIP	100	5%	1/10W	R8167	1-216-833-11	METAL CHIP	10K	5%	1/10W
						R8168	1-216-829-11	METAL CHIP	4.7K	5%	1/10W
R8112	1-216-809-11	METAL CHIP	100	5%	1/10W	R8171	1-216-833-11	METAL CHIP	10K	5%	1/10W
R8113	1-216-809-11	METAL CHIP	100	5%	1/10W	R8172	1-216-845-11	METAL CHIP	100K	5%	1/10W
R8114	1-216-809-11	METAL CHIP	100	5%	1/10W						
R8115	1-216-809-11	METAL CHIP	100	5%	1/10W	R8173	1-216-833-11	METAL CHIP	10K	5%	1/10W
R8117	1-216-861-11	METAL CHIP	2.2M	5%	1/10W	R8176	1-216-864-11	SHORT CHIP			
						R8178	1-216-857-11	METAL CHIP	1M	5%	1/10W
R8119	1-216-864-11	SHORT CHIP				R8179	1-216-847-11	METAL CHIP	150K	5%	1/10W
R8120	1-216-864-11	SHORT CHIP				R8182	1-216-825-11	METAL CHIP	2.2K	5%	1/10W
R8121	1-216-864-11	SHORT CHIP									
R8122	1-216-821-11	METAL CHIP	1K	5%	1/10W	R8190	1-216-809-11	METAL CHIP	100	5%	1/10W
R8123	1-216-821-11	METAL CHIP	1K	5%	1/10W	R8191	1-216-809-11	METAL CHIP	100	5%	1/10W
						R8200	1-216-864-11	SHORT CHIP			
R8124	1-216-821-11	METAL CHIP	1K	5%	1/10W	R8201	1-216-833-11	METAL CHIP	10K	5%	1/10W
R8126	1-216-825-11	METAL CHIP	2.2K	5%	1/10W	R8202	1-216-864-11	SHORT CHIP			
R8127	1-216-801-11	METAL CHIP	22	5%	1/10W						
R8128	1-216-801-11	METAL CHIP	22	5%	1/10W	R8203	1-216-836-11	METAL CHIP	18K	5%	1/10W
R8130	1-216-864-11	SHORT CHIP				R8204	1-216-838-11	METAL CHIP	27K	5%	1/10W
						R8205	1-216-841-11	METAL CHIP	47K	5%	1/10W
R8131	1-216-809-11	METAL CHIP	100	5%	1/10W	R8206	1-216-864-11	SHORT CHIP			
R8137	1-216-829-11	METAL CHIP	4.7K	5%	1/10W	R8207	1-216-837-11	METAL CHIP	22K	5%	1/10W
R8138	1-216-833-11	METAL CHIP	10K	5%	1/10W						
R8139	1-216-839-11	METAL CHIP	33K	5%	1/10W	R8208	1-216-857-11	METAL CHIP	1M	5%	1/10W
R8140	1-216-837-11	METAL CHIP	22K	5%	1/10W	R8209	1-216-828-11	METAL CHIP	3.9K	5%	1/10W
						R8210	1-218-867-11	METAL CHIP	6.8K	0.50%	1/10W
R8141	1-216-847-11	METAL CHIP	150K	5%	1/10W	R8211	1-216-821-11	METAL CHIP	1K	5%	1/10W
R8142	1-216-833-11	METAL CHIP	10K	5%	1/10W	R8212	1-216-833-11	METAL CHIP	10K	5%	1/10W
R8143	1-216-825-11	METAL CHIP	2.2K	5%	1/10W						
R8144	1-218-678-11	METAL CHIP	270	0.50%	1/10W	R8213	1-216-833-11	METAL CHIP	10K	5%	1/10W
R8145	1-218-678-11	METAL CHIP	270	0.50%	1/10W	R8214	1-218-867-11	METAL CHIP	6.8K	0.50%	1/10W
						R8215	1-216-829-11	METAL CHIP	4.7K	5%	1/10W
R8146	1-218-678-11	METAL CHIP	270	0.50%	1/10W	R8216	1-218-867-11	METAL CHIP	6.8K	0.50%	1/10W
R8147	1-218-678-11	METAL CHIP	270	0.50%	1/10W	R8217	1-216-809-11	METAL CHIP	100	5%	1/10W
R8148	1-218-678-11	METAL CHIP	270	0.50%	1/10W						
R8149	1-218-678-11	METAL CHIP	270	0.50%	1/10W	R8218	1-216-829-11	METAL CHIP	4.7K	5%	1/10W
R8150	1-216-857-11	METAL CHIP	1M	5%	1/10W	R8219	1-216-809-11	METAL CHIP	100	5%	1/10W
						R8220	1-216-864-11	SHORT CHIP			
R8151	1-216-847-11	METAL CHIP	150K	5%	1/10W	R8223	1-216-864-11	SHORT CHIP			
R8152	1-216-823-11	METAL CHIP	1.5K	5%	1/10W	R8224	1-216-848-11	METAL CHIP	180K	5%	1/10W
R8153	1-216-825-11	METAL CHIP	2.2K	5%	1/10W						



REF. NO.	PART NO.	DESCRIPTION	VALUES			REF. NO.	PART NO.	DESCRIPTION	VALUES		
R8225	1-216-823-11	METAL CHIP	1.5K	5%	1/10W	R8279	1-216-805-11	METAL CHIP	47	5%	1/10W
R8226	1-216-864-11	SHORT CHIP				R8280	1-216-805-11	METAL CHIP	47	5%	1/10W
R8227	1-216-848-11	METAL CHIP	180K	5%	1/10W	R8281	1-216-805-11	METAL CHIP	47	5%	1/10W
R8228	1-216-823-11	METAL CHIP	1.5K	5%	1/10W	R8282	1-216-805-11	METAL CHIP	47	5%	1/10W
R8229	1-216-822-11	METAL CHIP	1.2K	5%	1/10W	R8301	1-216-809-11	METAL CHIP	100	5%	1/10W
R8230	1-216-864-11	SHORT CHIP				R8302	1-216-821-11	METAL CHIP	1K	5%	1/10W
R8231	1-216-841-11	METAL CHIP	47K	5%	1/10W	R8303	1-218-841-11	METAL CHIP	560	0.50%	1/10W
R8233	1-216-830-11	METAL CHIP	5.6K	5%	1/10W	R8304	1-216-846-11	METAL CHIP	120K	5%	1/10W
R8234	1-216-816-11	METAL CHIP	390	5%	1/10W	R8305	1-218-864-11	METAL CHIP	5.1K	0.50%	1/10W
R8235	1-216-822-11	METAL CHIP	1.2K	5%	1/10W	R8306	1-218-841-11	METAL CHIP	560	0.50%	1/10W
R8236	1-216-841-11	METAL CHIP	47K	5%	1/10W	R8307	1-216-845-11	METAL CHIP	100K	5%	1/10W
R8238	1-216-830-11	METAL CHIP	5.6K	5%	1/10W	R8308	1-216-845-11	METAL CHIP	100K	5%	1/10W
R8239	1-216-816-11	METAL CHIP	390	5%	1/10W	R8309	1-216-850-11	METAL CHIP	270K	5%	1/10W
R8240	1-216-864-11	SHORT CHIP				R8310	1-218-841-11	METAL CHIP	560	0.50%	1/10W
R8241	1-216-864-11	SHORT CHIP				R8311	1-216-821-11	METAL CHIP	1K	5%	1/10W
R8242	1-216-829-11	METAL CHIP	4.7K	5%	1/10W	R8312	1-218-716-11	METAL CHIP	10K	0.50%	1/10W
R8243	1-216-829-11	METAL CHIP	4.7K	5%	1/10W	R8313	1-218-716-11	METAL CHIP	10K	0.50%	1/10W
R8244	1-216-835-11	METAL CHIP	15K	5%	1/10W	R8314	1-216-821-11	METAL CHIP	1K	5%	1/10W
R8245	1-216-835-11	METAL CHIP	15K	5%	1/10W	R8315	1-218-889-11	METAL CHIP	56K	0.50%	1/10W
R8246	1-216-835-11	METAL CHIP	15K	5%	1/10W	R8316	1-216-819-11	METAL CHIP	680	5%	1/10W
R8247	1-216-835-11	METAL CHIP	15K	5%	1/10W	R8317	1-216-819-11	METAL CHIP	680	5%	1/10W
R8248	1-216-827-11	METAL CHIP	3.3K	5%	1/10W	R8318	1-216-815-11	METAL CHIP	330	5%	1/10W
R8249	1-216-827-11	METAL CHIP	3.3K	5%	1/10W	R8319	1-218-704-11	METAL CHIP	3.3K	0.50%	1/10W
R8250	1-216-864-11	SHORT CHIP				R8320	1-216-815-11	METAL CHIP	330	5%	1/10W
R8251	1-216-864-11	SHORT CHIP				R8321	1-218-704-11	METAL CHIP	3.3K	0.50%	1/10W
R8252	1-216-864-11	SHORT CHIP				R8322	1-218-726-11	METAL CHIP	27K	0.50%	1/10W
R8254	1-218-676-11	METAL CHIP	220	0.50%	1/10W	R8323	1-218-722-11	METAL CHIP	18K	0.50%	1/10W
R8255	1-218-676-11	METAL CHIP	220	0.50%	1/10W	R8324	1-216-811-11	METAL CHIP	150	5%	1/10W
R8256	1-218-676-11	METAL CHIP	220	0.50%	1/10W	R8325	1-216-821-11	METAL CHIP	1K	5%	1/10W
R8257	1-218-676-11	METAL CHIP	220	0.50%	1/10W	R8326	1-216-821-11	METAL CHIP	1K	5%	1/10W
R8258	1-218-676-11	METAL CHIP	220	0.50%	1/10W	R8327	1-216-812-11	METAL CHIP	180	5%	1/10W
R8259	1-218-676-11	METAL CHIP	220	0.50%	1/10W	R8328	1-218-859-11	METAL CHIP	3.3K	0.50%	1/10W
R8260	1-218-676-11	METAL CHIP	220	0.50%	1/10W	R8329	1-216-825-11	METAL CHIP	2.2K	5%	1/10W
R8261	1-218-676-11	METAL CHIP	220	0.50%	1/10W	R8330	1-216-839-11	METAL CHIP	33K	5%	1/10W
R8262	1-218-676-11	METAL CHIP	220	0.50%	1/10W	R8331	1-216-837-11	METAL CHIP	22K	5%	1/10W
R8263	1-218-676-11	METAL CHIP	220	0.50%	1/10W	R8332	1-218-855-11	METAL CHIP	2.2K	0.50%	1/10W
R8264	1-218-676-11	METAL CHIP	220	0.50%	1/10W	R8333	1-218-859-11	METAL CHIP	3.3K	0.50%	1/10W
R8265	1-218-676-11	METAL CHIP	220	0.50%	1/10W	R8334	1-216-864-11	SHORT CHIP			
R8269	1-216-809-11	METAL CHIP	100	5%	1/10W	R8336	1-216-839-11	METAL CHIP	33K	5%	1/10W
R8275	1-216-803-11	METAL CHIP	33	5%	1/10W	R8337	1-216-837-11	METAL CHIP	22K	5%	1/10W
R8276	1-216-825-11	METAL CHIP	2.2K	5%	1/10W	R8338	1-216-809-11	METAL CHIP	100	5%	1/10W
R8277	1-216-805-11	METAL CHIP	47	5%	1/10W	R8339	1-216-845-11	METAL CHIP	100K	5%	1/10W
R8278	1-216-805-11	METAL CHIP	47	5%	1/10W						



REF. NO.	PART NO.	DESCRIPTION	VALUES			REF. NO.	PART NO.	DESCRIPTION	VALUES		
R8340	1-216-809-11	METAL CHIP	100	5%	1/10W	R8440	1-216-825-11	METAL CHIP	2.2K	5%	1/10W
R8341	1-216-797-11	METAL CHIP	10	5%	1/10W	R8441	1-216-833-11	METAL CHIP	10K	5%	1/10W
R8342	1-216-821-11	METAL CHIP	1K	5%	1/10W						
R8343	1-216-821-11	METAL CHIP	1K	5%	1/10W	R8442	1-216-825-11	METAL CHIP	2.2K	5%	1/10W
R8344	1-216-817-11	METAL CHIP	470	5%	1/10W	R8443	1-216-833-11	METAL CHIP	10K	5%	1/10W
						R8515	1-216-864-11	SHORT CHIP			
R8345	1-216-817-11	METAL CHIP	470	5%	1/10W	R8516	1-216-864-11	SHORT CHIP			
R8346	1-218-841-11	METAL CHIP	560	0.50%	1/10W	R8530	1-216-809-11	METAL CHIP	100	5%	1/10W
R8347	1-218-867-11	METAL CHIP	6.8K	0.50%	1/10W						
R8348	1-216-797-11	METAL CHIP	10	5%	1/10W	R8531	1-216-809-11	METAL CHIP	100	5%	1/10W
R8349	1-218-841-11	METAL CHIP	560	0.50%	1/10W	R8532	1-216-801-11	METAL CHIP	22	5%	1/10W
						R8533	1-216-801-11	METAL CHIP	22	5%	1/10W
R8350	1-216-825-11	METAL CHIP	2.2K	5%	1/10W	R8536	1-216-864-11	SHORT CHIP			
R8351	1-218-867-11	METAL CHIP	6.8K	0.50%	1/10W	R8543	1-216-825-11	METAL CHIP	2.2K	5%	1/10W
R8352	1-218-865-11	METAL CHIP	5.6K	0.50%	1/10W						
R8353	1-218-865-11	METAL CHIP	5.6K	0.50%	1/10W	R8544	1-216-825-11	METAL CHIP	2.2K	5%	1/10W
R8354	1-216-817-11	METAL CHIP	470	5%	1/10W	R8545	1-216-823-11	METAL CHIP	1.5K	5%	1/10W
						R8547	1-216-823-11	METAL CHIP	1.5K	5%	1/10W
R8355	1-216-817-11	METAL CHIP	470	5%	1/10W	R8548	1-216-825-11	METAL CHIP	2.2K	5%	1/10W
R8356	1-216-835-11	METAL CHIP	15K	5%	1/10W	R8549	1-216-864-11	SHORT CHIP			
R8357	1-216-821-11	METAL CHIP	1K	5%	1/10W						
R8358	1-216-821-11	METAL CHIP	1K	5%	1/10W	R8550	1-216-825-11	METAL CHIP	2.2K	5%	1/10W
R8360	1-216-821-11	METAL CHIP	1K	5%	1/10W	R8551	1-216-827-11	METAL CHIP	3.3K	5%	1/10W
						R8552	1-216-827-11	METAL CHIP	3.3K	5%	1/10W
R8361	1-216-833-11	METAL CHIP	10K	5%	1/10W	R8553	1-216-825-11	METAL CHIP	2.2K	5%	1/10W
R8362	1-216-828-11	METAL CHIP	3.9K	5%	1/10W	R8555	1-216-825-11	METAL CHIP	2.2K	5%	1/10W
R8363	1-216-864-11	SHORT CHIP									
R8364	1-216-864-11	SHORT CHIP				R8556	1-216-821-11	METAL CHIP	1K	5%	1/10W
R8365	1-216-864-11	SHORT CHIP				R8558	1-216-825-11	METAL CHIP	2.2K	5%	1/10W
						R8560	1-216-821-11	METAL CHIP	1K	5%	1/10W
R8366	1-216-809-11	METAL CHIP	100	5%	1/10W	R8561	1-216-825-11	METAL CHIP	2.2K	5%	1/10W
R8367	1-216-809-11	METAL CHIP	100	5%	1/10W	R8562	1-216-825-11	METAL CHIP	2.2K	5%	1/10W
R8368	1-216-801-11	METAL CHIP	22	5%	1/10W						
R8369	1-216-801-11	METAL CHIP	22	5%	1/10W	R8563	1-216-825-11	METAL CHIP	2.2K	5%	1/10W
R8370	1-216-789-11	METAL CHIP	2.2	5%	1/10W	R8564	1-216-827-11	METAL CHIP	3.3K	5%	1/10W
						R8565	1-216-827-11	METAL CHIP	3.3K	5%	1/10W
R8406	1-216-864-11	SHORT CHIP				R8566	1-216-825-11	METAL CHIP	2.2K	5%	1/10W
R8407	1-216-821-11	METAL CHIP	1K	5%	1/10W	R8567	1-216-825-11	METAL CHIP	2.2K	5%	1/10W
R8408	1-216-864-11	SHORT CHIP									
R8410	1-216-821-11	METAL CHIP	1K	5%	1/10W	R8568	1-216-864-11	SHORT CHIP			
R8411	1-216-801-11	METAL CHIP	22	5%	1/10W	R8569	1-216-864-11	SHORT CHIP			
						R8570	1-218-292-11	METAL CHIP	20K	5%	1/10W
R8412	1-216-825-11	METAL CHIP	2.2K	5%	1/10W	R8571	1-216-827-11	METAL CHIP	3.3K	5%	1/10W
R8413	1-216-801-11	METAL CHIP	22	5%	1/10W	R8572	1-216-827-11	METAL CHIP	3.3K	5%	1/10W
R8414	1-216-821-11	METAL CHIP	1K	5%	1/10W						
R8415	1-216-811-11	METAL CHIP	150	5%	1/10W	R8573	1-218-292-11	METAL CHIP	20K	5%	1/10W
R8436	1-216-825-11	METAL CHIP	2.2K	5%	1/10W	R8574	1-216-835-11	METAL CHIP	15K	5%	1/10W
						R8575	1-216-835-11	METAL CHIP	15K	5%	1/10W
R8437	1-216-825-11	METAL CHIP	2.2K	5%	1/10W	R8576	1-216-801-11	METAL CHIP	22	5%	1/10W
R8438	1-216-833-11	METAL CHIP	10K	5%	1/10W	R8577	1-216-801-11	METAL CHIP	22	5%	1/10W
R8439	1-216-825-11	METAL CHIP	2.2K	5%	1/10W						

NOTE: The components identified by shading and \triangle mark are critical for safety. Replace only with part number specified.

NOTE: Les composants identifiés par un triangle et une marque \triangle sont critiques pour la sécurité. Ne les remplacer que par une pièce portant le numéro spécifique.



REF. NO.	PART NO.	DESCRIPTION	VALUES			REF. NO.	PART NO.	DESCRIPTION	VALUES		
R8578	1-218-292-11	METAL CHIP	20K	5%	1/10W	VARISTOR					
R8579	1-216-829-11	METAL CHIP	4.7K	5%	1/10W	VD8006	1-803-974-21	VARISTOR, CHIP	(1608)		
R8580	1-216-829-11	METAL CHIP	4.7K	5%	1/10W	VD8007	1-803-974-21	VARISTOR, CHIP	(1608)		
R8581	1-218-292-11	METAL CHIP	20K	5%	1/10W	VD8011	1-803-974-21	VARISTOR, CHIP	(1608)		
R8582	1-216-828-11	METAL CHIP	3.9K	5%	1/10W	VD8012	1-803-974-21	VARISTOR, CHIP	(1608)		
R8583	1-216-864-11	SHORT CHIP				VD8013	1-803-974-21	VARISTOR, CHIP	(1608)		
R8584	1-216-825-11	METAL CHIP	2.2K	5%	1/10W	VD8014	1-803-974-21	VARISTOR, CHIP	(1608)		
R8585	1-216-828-11	METAL CHIP	3.9K	5%	1/10W	VD8015	1-803-974-21	VARISTOR, CHIP	(1608)		
R8587	1-216-827-11	METAL CHIP	3.3K	5%	1/10W	VD8016	1-803-974-21	VARISTOR, CHIP	(1608)		
R8588	1-218-867-11	METAL CHIP	6.8K	0.50%	1/10W	VD8017	1-803-974-21	VARISTOR, CHIP	(1608)		
R8589	1-216-864-11	SHORT CHIP				VD8018	1-803-974-21	VARISTOR, CHIP	(1608)		
R8590	1-216-837-11	METAL CHIP	22K	5%	1/10W	VD8019	1-803-974-21	VARISTOR, CHIP	(1608)		
R8591	1-216-825-11	METAL CHIP	2.2K	5%	1/10W	VD8020	1-803-974-21	VARISTOR, CHIP	(1608)		
R8592	1-216-837-11	METAL CHIP	22K	5%	1/10W	VD8021	1-803-974-21	VARISTOR, CHIP	(1608)		
R8593	1-216-827-11	METAL CHIP	3.3K	5%	1/10W	VD8022	1-803-974-21	VARISTOR, CHIP	(1608)		
R8594	1-218-867-11	METAL CHIP	6.8K	0.50%	1/10W	VD8023	1-803-974-21	VARISTOR, CHIP	(1608)		
R8595	1-216-864-11	SHORT CHIP				VD8024	1-803-974-21	VARISTOR, CHIP	(1608)		
R8596	1-216-834-11	METAL CHIP	12K	5%	1/10W	CRYSTAL					
R8597	1-216-837-11	METAL CHIP	22K	5%	1/10W	X8001	1-781-282-11	VIBRATOR, CERAMIC			
R8598	1-216-825-11	METAL CHIP	2.2K	5%	1/10W	X8301	1-781-132-21	VIBRATOR, CRYSTAL			
R8599	1-216-839-11	METAL CHIP	33K	5%	1/10W	F					
R8600	1-216-840-11	METAL CHIP	39K	5%	1/10W	* A-1060-176-A F BOARD, COMPLETE					
R8601	1-216-840-11	METAL CHIP	39K	5%	1/10W	CAPACITOR					
R8602	1-216-837-11	METAL CHIP	22K	5%	1/10W	\triangle C1901	1-161-964-91	CERAMIC	0.0047 μ F	250V	
R8603	1-216-829-11	METAL CHIP	4.7K	5%	1/10W	\triangle C1902	1-161-964-91	CERAMIC	0.0047 μ F	250V	
R8604	1-216-841-11	METAL CHIP	47K	5%	1/10W	\triangle C1903	1-165-530-31	MYLAR	0.47 μ F	10	0V
R8605	1-216-864-11	SHORT CHIP				\triangle C1904	1-161-964-91	CERAMIC	0.0047 μ F	250V	
R8607	1-216-809-11	METAL CHIP	100	5%	1/10W	\triangle C1905	1-161-964-91	CERAMIC	0.0047 μ F	250V	
R8609	1-216-839-11	METAL CHIP	33K	5%	1/10W	C1906	1-107-652-11	ELECT	10 μ F	20%	250V
R8610	1-216-839-11	METAL CHIP	33K	5%	1/10W	C1907	1-107-974-11	CERAMIC	47pF	5%	2KV
R8612	1-216-864-11	SHORT CHIP				\triangle C1908	1-119-888-51	CERAMIC	2200pF	20%	250V
R8614	1-216-864-11	SHORT CHIP				\triangle C1909	1-119-888-51	CERAMIC	2200pF	20%	250V
R8616	1-216-839-11	METAL CHIP	33K	5%	1/10W	C1910	1-115-872-11	ELECT	2.2 μ F	20%	50V
R8701	1-218-685-11	METAL CHIP	510	0.50%	1/10W						
R8703	1-218-692-11	METAL CHIP	1K	0.50%	1/10W						
R8704	1-218-864-11	METAL CHIP	5.1K	0.50%	1/10W						
TUNER											
TU8001	8-598-594-10	TUNER, FSS BTF-FA421									

NOTE: The components identified by shading and \triangle mark are critical for safety. Replace only with part number specified.

NOTE: Les composants identifiés par un trame et une marque \triangle sont critiques pour la sécurité. Ne les remplacer que par une pièce portant le numéro spécifique.

F

REF. NO.	PART NO.	DESCRIPTION	VALUES	REF. NO.	PART NO.	DESCRIPTION	VALUES
C1911	1-162-964-11	CERAMIC CHIP	0.001 μ F 10% 50V	FUSE HOLDER			
C1912	1-104-331-11	CERAMIC	0.0022 μ F 10% 1KV	\triangle FH1900	1-533-223-11	FUSE HOLDER	0A 0V
C1913	1-126-794-11	ELECT	4.7 μ F 20% 50V	\triangle FH1901	1-533-223-11	FUSE HOLDER	0A 0V
\triangle C1915	1-165-530-31	MYLAR	0.47 μ F 10 0V	IC			
C1916	1-107-826-11	CERAMIC CHIP	0.1 μ F 10% 16V	IC1900	6-600-279-01	IC	STR-A6169
C1918	1-131-872-91	CERAMIC CHIP	1000pF 10% 630V	IC1901	8-759-682-42	IC	MM1431ATT
C1919	1-107-884-11	ELECT	1000 μ F 20% 16V	COIL			
C1920	1-107-826-11	CERAMIC CHIP	0.1 μ F 10% 16V	L1900	1-412-537-31	INDUCTOR	100 μ H
C1921	1-126-923-91	ELECT	220 μ F 20% 10V	PHOTO COUPLER			
C1922	1-126-947-11	ELECT	47 μ F 20% 35V	\triangle PH1901	8-749-924-35	PHOTO COUPLER	ON3171-R
WIRE PIN				\triangle PH1902	8-749-924-35	PHOTO COUPLER	ON3171-R
* CLP1900	4-042-408-02	PIN(45), WIRE		RESISTOR			
CONNECTOR				\triangle R1900	1-247-289-00	METAL	8.2M 5% 1W
\triangle * CN1900	1-580-843-11	PIN, CONNECTOR (POWER)		R1903	1-219-759-11	METAL	1M 5% 1/2W
CN1902	1-695-915-11	TAB (CONTACT)		R1904	1-249-389-11	CARBON	4.7 5% 1/4W
CN1903	1-695-915-11	TAB (CONTACT)		R1905	1-216-150-91	RES-CHIP	10 5% 1/8W
CN1906	1-695-915-11	TAB (CONTACT)		R1906	1-216-150-91	RES-CHIP	10 5% 1/8W
\triangle * CN1909	1-580-689-31	PIN, CONNECTOR (PC BOARD)	4P	R1907	1-216-150-91	RES-CHIP	10 5% 1/8W
DIODE				R1908	1-216-150-91	RES-CHIP	10 5% 1/8W
\triangle D1900	8-719-077-76	DIODE	D2SB60A-F04	R1909	1-218-642-11	METAL OXIDE	100K 5% 1W
D1906	8-719-069-55	DIODE	UDZSTE-175.6B	R1910	1-216-864-11	SHORT CHIP	
D1907	6-500-849-01	DIODE	ERA22-08KFLB	R1911	1-249-393-11	CARBON	10 5% 1/4W
D1908	8-719-404-50	DIODE	MA111-TX	R1913	1-202-962-11	CEMENTED	3.3 5% 10W
D1909	6-500-567-31	DIODE	10ERB20-TB3	R1914	1-216-864-11	SHORT CHIP	
D1911	8-719-948-45	DIODE	ERA22-08	R1915	1-260-328-11	CARBON	1K 5% 1/2W
D1912	8-719-028-45	DIODE	D2L20U	R1916	1-216-829-11	METAL CHIP	4.7K 5% 1/10W
D1913	8-719-404-50	DIODE	MA111-TX	R1917	1-249-389-11	CARBON	4.7 5% 1/4W
D1914	8-719-080-75	DIODE	M1FL20U-4063	R1918	1-216-821-11	METAL CHIP	1K 5% 1/10W
FUSE				R1919	1-216-817-11	METAL CHIP	470 5% 1/10W
\triangle F1900	1-576-193-11	FUSE	6.3A 125V	R1920	1-216-864-11	SHORT CHIP	
FERRITE BEAD				R1921	1-216-829-11	METAL CHIP	4.7K 5% 1/10W
FB1900	1-469-869-21	FERRITE	0 μ H	R1922	1-216-821-11	METAL CHIP	1K 5% 1/10W
				R1923	1-216-839-11	METAL CHIP	33K 5% 1/10W
				R1925	1-218-708-11	METAL CHIP	4.7K 0.50% 1/10W
				R1926	1-218-709-11	METAL CHIP	5.1K 0.50% 1/10W
				R1927	1-249-389-11	CARBON	4.7 5% 1/4W

NOTE: The components identified by shading and \triangle mark are critical for safety. Replace only with part number specified.

NOTE: Les composants identifiés par un triangle et une marque \triangle sont critiques pour la sécurité. Ne les remplacer que par une pièce portant le numéro spécifique.

F G1

REF. NO.	PART NO.	DESCRIPTION	VALUES	REF. NO.	PART NO.	DESCRIPTION	VALUES
RELAY							
\triangle RY1900	1-755-388-11	RELAY (AC POWER)		C1621	1-126-933-11	ELECT	100 μ F 20% 16V
\triangle RY1901	1-755-388-11	RELAY (AC POWER)		C1623	1-162-970-11	CERAMIC CHIP	0.01 μ F 10% 25V
TRANSFORMER							
\triangle T1900	1-456-859-11	LINE FILTER COIL		C1624	1-126-935-11	ELECT	470 μ F 20% 16V
\triangle T1901	1-456-859-11	LINE FILTER COIL		C1627	1-126-933-11	ELECT	100 μ F 20% 16V
\triangle T1902	1-443-312-11	TRANSFORMER, CONVERTER (SBT)		\triangle C1629	1-161-964-91	CERAMIC	0.0047 μ F 250V
THERMISTOR							
\triangle TH1901	1-803-586-41	THERMISTOR		\triangle C1630	1-161-964-91	CERAMIC	0.0047 μ F 250V
VARISTOR							
\triangle VD1901	1-804-992-21	VARISTOR		\triangle C1631	1-161-964-91	CERAMIC	0.0047 μ F 250V
VD1902	1-804-992-21	VARISTOR		\triangle C1632	1-161-964-91	CERAMIC	0.0047 μ F 250V
				C1647	1-107-826-11	CERAMIC CHIP	0.1 μ F 10% 16V
				C1649	1-162-970-11	CERAMIC CHIP	0.01 μ F 10% 25V
				C1650	1-107-909-11	ELECT	47 μ F 20% 50V
				C1651	1-107-904-11	ELECT	3.3 μ F 20% 50V
				C1652	1-162-970-11	CERAMIC CHIP	0.01 μ F 10% 25V
				C1653	1-100-831-91	CERAMIC CHIP	0.001 μ F 2% 50V
				C1655	1-107-906-11	ELECT	10 μ F 20% 50V
				C1657	1-162-970-11	CERAMIC CHIP	0.01 μ F 10% 25V
				C1658	1-136-497-81	FILM	0.1 μ F 5% 50V
				C1659	1-107-888-11	ELECT	47 μ F 20% 25V
				C1660	1-107-826-11	CERAMIC CHIP	0.1 μ F 10% 16V
				C1661	1-107-824-11	CERAMIC	220pF 5% 1KV
				C1662	1-107-824-11	CERAMIC	220pF 5% 1KV
				C1663	1-165-954-11	FILM	56000pF 3% 800V
				C1664	1-107-894-11	ELECT	220 μ F 20% 35V
				C1665	1-107-905-11	ELECT	4.7 μ F 20% 50V
				C1668	1-107-905-11	ELECT	4.7 μ F 20% 50V
				C1669	1-107-826-11	CERAMIC CHIP	0.1 μ F 10% 16V
				C1670	1-162-970-11	CERAMIC CHIP	0.01 μ F 10% 25V
				C1671	1-126-967-11	ELECT	47 μ F 20% 50V
				C1673	1-165-733-31	ELECT	100 μ F 20% 25V
				\triangle C1674	1-165-530-31	MYLAR	0.47 μ F 10 0V
				C1676	1-137-921-31	ELECT	1500 μ F 20% 10V
				C1677	1-131-975-11	ELECT	1200 μ F 20% 10V
				C1678	1-128-951-31	ELECT	2200 μ F 20% 16V
				C1679	1-128-950-31	ELECT	1000 μ F 20% 16V
				C1680	1-128-582-11	ELECT	10 μ F 20% 100V
				C1681	1-137-190-91	FILM	0.22 μ F 5% 50V
				C1683	1-126-768-11	ELECT	2200 μ F 20% 16V
				C1684	1-126-767-11	ELECT	1000 μ F 20% 16V
				C1687	1-162-964-11	CERAMIC CHIP	0.001 μ F 10% 50V
				C1688	1-162-964-11	CERAMIC CHIP	0.001 μ F 10% 50V
				C1689	1-162-964-11	CERAMIC CHIP	0.001 μ F 10% 50V
				C1694	1-128-955-31	ELECT	2200 μ F 20% 25V
				C1695	1-162-964-11	CERAMIC CHIP	0.001 μ F 10% 50V
				\triangle C1706	1-137-750-11	ELECT	1500 μ F 20% 250V
CAPACITOR							
C1600	1-137-639-21	MYLAR	0.47 μ F 10% 450V				
C1601	1-162-964-11	CERAMIC CHIP	0.001 μ F 10% 50V				
C1602	1-126-967-11	ELECT	47 μ F 20% 50V				
C1604	1-126-959-11	ELECT	0.47 μ F 20% 50V				
C1605	1-126-964-11	ELECT	10 μ F 20% 50V				
C1606	1-162-970-11	CERAMIC CHIP	0.01 μ F 10% 25V				
C1607	1-100-831-91	CERAMIC CHIP	0.001 μ F 2% 50V				
C1608	1-162-970-11	CERAMIC CHIP	0.01 μ F 10% 25V				
C1609	1-136-497-81	FILM	0.1 μ F 5% 50V				
C1610	1-126-947-11	ELECT	47 μ F 20% 35V				
C1614	1-117-219-11	CERAMIC	68pF 5% 1KV				
C1615	1-117-219-11	CERAMIC	68pF 5% 1KV				
C1616	1-100-624-11	FILM	4700pF 3% 800V				
C1617	1-126-968-11	ELECT	100 μ F 20% 50V				
C1618	1-135-372-31	ELECT	470 μ F 20% 10V				
C1620	1-128-951-31	ELECT	2200 μ F 20% 16V				

G1

* **A-1060-177-A G1 BOARD, COMPLETE**
4-382-854-01 SCREW (M3X8), P, SW (+)

NOTE: The components identified by shading and \triangle mark are critical for safety. Replace only with part number specified.

NOTE: Les composants identifiés par un trame et une marque \triangle sont critiques pour la sécurité. Ne les remplacer que par une pièce portant le numéro spécifié.

REF. NO.	PART NO.	DESCRIPTION	VALUES	REF. NO.	PART NO.	DESCRIPTION	VALUES
\triangle C1707	1-137-750-11	ELECT	1500 μ F 20% 250V	D1634	8-719-510-12	DIODE	D10SC4M
C1712	1-100-714-11	ELECT	100 μ F 20% 400V	D1635	8-719-063-73	DIODE	D1NL20U-TR
C1713	1-100-714-11	ELECT	100 μ F 20% 400V	D1636	8-719-404-50	DIODE	MA111-TX
C1714	1-161-830-00	CERAMIC	0.0047 μ F 500V	D1637	8-719-404-50	DIODE	MA111-TX
C1715	1-126-964-11	ELECT	10 μ F 20% 50V	D1638	8-719-404-50	DIODE	MA111-TX
C1716	1-128-581-11	ELECT	4.7 μ F 20% 100V	D1639	8-719-404-50	DIODE	MA111-TX
C1717	1-137-190-91	FILM	0.22 μ F 5% 50V	\triangle D1640	8-719-060-89	DIODE	D4SBS6-F
* CLP1600	4-042-408-02	PIN(45), WIRE		D1641	8-719-063-73	DIODE	D1NL20U-TR
CONNECTOR				D1643	8-719-068-00	DIODE	ERC04-06SE
\triangle * CN1601	1-580-689-11	PIN, CONNECTOR (PC BOARD)	4P	D1644	8-719-068-00	DIODE	ERC04-06SE
* CN1602	1-691-960-21	PIN, CONNECTOR (PC BOARD)		D1645	8-719-064-49	DIODE	D4SBL40
CN1603	1-764-101-11	PIN, CONNECTOR (PC BOARD)	2P	D1646	6-500-567-21	DIODE	10ERB20-TB5
* CN1605	1-793-923-11	CONNECTOR, DIN (PLUG)	64P	D1647	8-719-983-37	DIODE	MTZJ-T-77-36A
CN1607	1-695-915-11	TAB (CONTACT)		FERRITE BEAD			
DIODE				FB1600	1-410-397-21	FERRITE	1.1 μ H
D1600	8-719-082-03	DIODE	MM3Z15VT1	FB1606	1-410-397-21	FERRITE	1.1 μ H
D1601	8-719-083-78	DIODE	10ERA60-TP	IC			
D1602	8-719-082-03	DIODE	MM3Z15VT1	IC1600	6-705-810-01	IC	MCZ3001DB
D1603	8-719-082-03	DIODE	MM3Z15VT1	IC1601	8-759-586-17	IC	TL1431CZ-AP
D1604	8-719-082-03	DIODE	MM3Z15VT1	IC1602	8-759-470-65	IC	PQ05RD1B
D1605	8-719-082-03	DIODE	MM3Z15VT1	IC1606	6-705-810-01	IC	MCZ3001DB
D1607	6-500-567-21	DIODE	10ERB20-TB5	IC1607	8-759-682-42	IC	MM1431ATT
D1608	8-719-022-97	DIODE	D2S4 μ F	IC1608	6-705-958-01	IC	PQ15RW21J00H
D1609	8-719-510-12	DIODE	D10SC4M	IC1609	6-705-958-01	IC	PQ15RW21J00H
D1610	8-719-068-71	DIODE	PTZ-TE25-13A	COIL			
\triangle D1611	8-719-026-63	DIODE	D10XB60S	L1600	1-412-537-31	INDUCTOR	100 μ H
D1619	8-719-082-03	DIODE	MM3Z15VT1	L1601	1-412-525-31	INDUCTOR	10 μ H
D1620	8-719-082-03	DIODE	MM3Z15VT1	L1602	1-406-659-11	INDUCTOR	10 μ H
D1621	8-719-082-03	DIODE	MM3Z15VT1	L1603	1-412-519-11	INDUCTOR	3.3 μ H
D1622	8-719-979-64	DIODE	μ F4005PKG23	L1607	1-412-525-31	INDUCTOR	10 μ H
D1623	8-719-082-03	DIODE	MM3Z15VT1	L1611	1-412-525-31	INDUCTOR	10 μ H
D1624	8-719-082-03	DIODE	MM3Z15VT1	L1614	1-412-519-11	INDUCTOR	3.3 μ H
D1625	8-719-081-97	DIODE	MMDL914T1	L1616	1-406-983-11	INDUCTOR	1MH
D1626	6-500-567-31	DIODE	10ERB20-TB3	PHOTO COUPLER			
D1627	8-719-081-97	DIODE	MMDL914T1	\triangle PH1600	8-749-924-35	PHOTO COUPLER	ON3171-R
D1629	8-719-028-45	DIODE	D2L20U	\triangle PH1602	8-749-924-35	PHOTO COUPLER	ON3171-R
D1630	8-719-510-12	DIODE	D10SC4M	\triangle PH1603	8-749-924-35	PHOTO COUPLER	ON3171-R
D1631	8-719-510-12	DIODE	D10SC4M				
D1632	8-719-404-50	DIODE	MA111-TX				
D1633	8-719-510-12	DIODE	D10SC4M				



REF. NO.	PART NO.	DESCRIPTION	VALUES			REF. NO.	PART NO.	DESCRIPTION	VALUES		
TRANSISTOR						R1657	1-215-904-11	METAL OXIDE	100K	5%	2W
Q1600	8-729-052-29	TRANSISTOR	2SK2876-01MR-F122			R1668	1-216-837-11	METAL CHIP	22K	5%	1/10W
Q1601	8-729-052-29	TRANSISTOR	2SK2876-01MR-F122			R1669	1-216-833-11	METAL CHIP	10K	5%	1/10W
Q1602	8-729-140-96	TRANSISTOR	2SD774-34			R1670	1-202-933-61	FUSIBLE	0.1	10%	1/2W
Q1606	8-729-120-28	TRANSISTOR	2SC1623-L5L6			R1672	1-216-833-11	METAL CHIP	10K	5%	1/10W
Q1609	8-729-120-28	TRANSISTOR	2SC1623-L5L6			R1673	1-218-823-11	METAL CHIP	100	0.50%	1/10W
Q1612	8-729-120-28	TRANSISTOR	2SC1623-L5L6			R1674	1-218-870-11	METAL CHIP	9.1K	0.50%	1/10W
Q1613	6-550-526-11	TRANSISTOR	2SK2842(LBS2SONY)			R1680	1-216-864-11	SHORT CHIP			
Q1614	6-550-526-11	TRANSISTOR	2SK2842(LBS2SONY)			R1681	1-216-833-11	METAL CHIP	10K	5%	1/10W
Q1615	8-729-120-28	TRANSISTOR	2SC1623-L5L6			R1682	1-216-864-11	SHORT CHIP			
Q1616	8-729-026-49	TRANSISTOR	2SA1037AK-T146-R			R1683	1-245-472-21	METAL	270K	1%	1/4W
Q1617	8-729-120-28	TRANSISTOR	2SC1623-L5L6			R1684	1-245-471-21	METAL	240K	1%	1/4W
RESISTOR						R1685	1-245-471-21	METAL	240K	1%	1/4W
R1600	1-218-869-11	METAL CHIP	8.2K	0.50%	1/10W	R1686	1-245-471-21	METAL	240K	1%	1/4W
R1602	1-218-837-11	METAL CHIP	390	0.50%	1/10W	R1689	1-218-877-11	METAL CHIP	18K	0.50%	1/10W
R1603	1-245-478-21	METAL	470K	1%	1/4W	R1691	1-216-845-11	METAL CHIP	100K	5%	1/10W
R1605	1-218-873-11	METAL CHIP	12K	0.50%	1/10W	R1696	1-211-991-11	METAL CHIP	82	0.50%	1/10W
R1606	1-245-478-21	METAL	470K	1%	1/4W	R1697	1-212-897-00	FUSIBLE	470	5%	1/4W
R1607	1-218-823-11	METAL CHIP	100	0.50%	1/10W	R1700	1-216-821-11	METAL CHIP	1K	5%	1/10W
R1608	1-212-897-00	FUSIBLE	470	5%	1/4W	R1701	1-249-393-11	CARBON	10	5%	1/4W
R1609	1-249-393-11	CARBON	10	5%	1/4W	R1702	1-249-393-11	CARBON	10	5%	1/4W
R1610	1-249-393-11	CARBON	10	5%	1/4W	R1703	1-216-864-11	SHORT CHIP			
R1611	1-216-833-11	METAL CHIP	10K	5%	1/10W	R1704	1-218-871-11	METAL CHIP	10K	0.50%	1/10W
R1612	1-216-833-11	METAL CHIP	10K	5%	1/10W	R1705	1-218-871-11	METAL CHIP	10K	0.50%	1/10W
R1614	1-220-926-81	FUSIBLE	0.47	10%	1/2W	R1706	1-216-833-11	METAL CHIP	10K	5%	1/10W
R1615	1-216-864-11	SHORT CHIP				R1707	1-216-833-11	METAL CHIP	10K	5%	1/10W
R1616	1-216-817-11	METAL CHIP	470	5%	1/10W	R1710	1-216-817-11	METAL CHIP	470	5%	1/10W
R1617	1-243-944-71	METAL	0.33	5%	2W	R1711	1-243-660-71	METAL	0.05	5%	2W
R1619	1-216-821-11	METAL CHIP	1K	5%	1/10W	R1712	1-249-385-11	CARBON	2.2	5%	1/4W
R1620	1-216-864-11	SHORT CHIP				R1713	1-216-864-11	SHORT CHIP			
R1621	1-216-821-11	METAL CHIP	1K	5%	1/10W	R1714	1-216-829-11	METAL CHIP	4.7K	5%	1/10W
R1622	1-249-393-11	CARBON	10	5%	1/4W	R1715	1-216-833-11	METAL CHIP	10K	5%	1/10W
R1623	1-216-833-11	METAL CHIP	10K	5%	1/10W	R1716	1-216-833-11	METAL CHIP	10K	5%	1/10W
R1625	1-218-867-11	METAL CHIP	6.8K	0.50%	1/10W	R1717	1-216-821-11	METAL CHIP	1K	5%	1/10W
R1626	1-218-877-11	METAL CHIP	18K	0.50%	1/10W	R1718	1-216-821-11	METAL CHIP	1K	5%	1/10W
R1628	1-216-295-91	SHORT CHIP				R1719	1-216-821-11	METAL CHIP	1K	5%	1/10W
R1629	1-216-295-91	SHORT CHIP				R1722	1-216-864-11	SHORT CHIP			
R1630	1-216-295-91	SHORT CHIP				R1723	1-249-377-11	CARBON	0.47	5%	1/4W
R1654	1-260-288-11	CARBON	0.47	5%	1/2W	R1724	1-216-833-11	METAL CHIP	10K	5%	1/10W
R1655	1-260-288-11	CARBON	0.47	5%	1/2W	R1725	1-218-696-11	METAL CHIP	1.5K	0.50%	1/10W
R1656	1-215-904-11	METAL OXIDE	100K	5%	2W	R1726	1-218-724-11	METAL CHIP	22K	0.50%	1/10W
						R1728	1-218-847-11	METAL CHIP	1K	0.50%	1/10W
						R1731	1-218-720-11	METAL CHIP	15K	0.50%	1/10W

NOTE: The components identified by shading and \triangle mark are critical for safety. Replace only with part number specified.

NOTE: Les composants identifiés par un triangle et une marque \triangle sont critiques pour la sécurité. Ne les remplacer que par une pièce portant le numéro spécifique.

G1 G2

REF. NO.	PART NO.	DESCRIPTION	VALUES			REF. NO.	PART NO.	DESCRIPTION	VALUES		
R1733	1-218-726-11	METAL CHIP	27K	0.50%	1/10W	C6029	1-164-156-11	CERAMIC CHIP	0.1 μ F		25V
R1734	1-218-692-11	METAL CHIP	1K	0.50%	1/10W	C6030	1-164-156-11	CERAMIC CHIP	0.1 μ F		25V
R1735	1-218-692-11	METAL CHIP	1K	0.50%	1/10W	C6031	1-128-992-21	ELECT CHIP	47 μ F	20%	25V
R1736	1-218-692-11	METAL CHIP	1K	0.50%	1/10W	C6032	1-128-992-21	ELECT CHIP	47 μ F	20%	25V
R1737	1-218-702-11	METAL CHIP	2.7K	0.50%	1/10W	C6033	1-107-826-11	CERAMIC CHIP	0.1 μ F	10%	16V
R1740	1-216-350-11	METAL OXIDE	1.2	5%	1W	C6034	1-107-826-11	CERAMIC CHIP	0.1 μ F	10%	16V
R1752	1-260-131-11	CARBON	470K	5%	1/2W	C6036	1-128-992-21	ELECT CHIP	47 μ F	20%	25V
R1753	1-260-131-11	CARBON	470K	5%	1/2W	C6038	1-128-992-21	ELECT CHIP	47 μ F	20%	25V
R1754	1-202-933-61	FUSIBLE	0.1	10%	1/2W	C6039	1-164-156-11	CERAMIC CHIP	0.1 μ F		25V
R1755	1-249-393-11	CARBON	10	5%	1/4W	C6041	1-127-931-21	ELECT CHIP	470 μ F	20%	16V
R1756	1-216-829-11	METAL CHIP	4.7K	5%	1/10W	C6042	1-127-931-21	ELECT CHIP	470 μ F	20%	16V
TRANSFORMER						C6044	1-162-970-11	CERAMIC CHIP	0.01 μ F	10%	25V
\triangle T1601	1-443-444-11	CONVERTER TRANSFORMER (PIT)				C6045	1-107-826-11	CERAMIC CHIP	0.1 μ F	10%	16V
\triangle T1602	1-439-879-11	TRANSFORMER, CONVERTER (PIT)				C6047	1-125-837-91	CERAMIC CHIP	1 μ F	10%	6.3V
						C6048	1-162-970-11	CERAMIC CHIP	0.01 μ F	10%	25V
						C6049	1-107-826-11	CERAMIC CHIP	0.1 μ F	10%	16V
						C6901	1-107-826-11	CERAMIC CHIP	0.1 μ F	10%	16V
						C6902	1-107-826-11	CERAMIC CHIP	0.1 μ F	10%	16V
						C6904	1-107-826-11	CERAMIC CHIP	0.1 μ F	10%	16V
						C6905	1-107-826-11	CERAMIC CHIP	0.1 μ F	10%	16V
						C6907	1-162-916-11	CERAMIC CHIP	12pF	5%	50V
						C6908	1-162-916-11	CERAMIC CHIP	12pF	5%	50V
						C6909	1-107-826-11	CERAMIC CHIP	0.1 μ F	10%	16V
						C6910	1-162-970-11	CERAMIC CHIP	0.01 μ F	10%	25V
						C6912	1-162-927-11	CERAMIC CHIP	100pF	5%	50V
						C6913	1-162-964-11	CERAMIC CHIP	0.001 μ F	10%	50V
						C6914	1-107-826-11	CERAMIC CHIP	0.1 μ F	10%	16V
						C6915	1-162-970-11	CERAMIC CHIP	0.01 μ F	10%	25V
						C6917	1-107-826-11	CERAMIC CHIP	0.1 μ F	10%	16V
						C6918	1-162-970-11	CERAMIC CHIP	0.01 μ F	10%	25V
						C6919	1-107-826-11	CERAMIC CHIP	0.1 μ F	10%	16V
						C6920	1-107-826-11	CERAMIC CHIP	0.1 μ F	10%	16V
						C6923	1-107-826-11	CERAMIC CHIP	0.1 μ F	10%	16V
						CONNECTOR					
						* CN6000	1-818-747-11	PIN, CONNECTOR			12P
						CN6002	1-816-112-11	CONNECTOR, SQUARE TYPE (USB)			5P
						CN6003	1-816-112-11	CONNECTOR, SQUARE TYPE (USB)			5P
						* CN6004	1-764-812-12	CONNECTOR, BOARD TO BOARD			11P
						* CN6005	1-793-922-11	CONNECTOR, DIN (RECEPTACLE)			64P
						CN6013	1-695-915-11	TAB (CONTACT)			
						CN6015	1-695-915-11	TAB (CONTACT)			
						CN6017	1-750-710-11	CONNECTOR, BOARD TO BOARD			19P



REF. NO.	PART NO.	DESCRIPTION	VALUES	REF. NO.	PART NO.	DESCRIPTION	VALUES
CN6018	1-695-915-11	TAB (CONTACT)		FERRITE BEAD			
CN6019	1-816-957-11	DIN CONNECTOR (RECEPTACLE)	96P	FB6000	1-414-921-11	FERRITE	0μH
CN6020	1-816-957-11	DIN CONNECTOR (RECEPTACLE)	96P	FB6001	1-216-295-91	SHORT CHIP	
* CN6021	1-816-124-11	PIN, CONNECTOR (FOR PWB)	18P	FB6002	1-216-295-91	SHORT CHIP	
* CN6022	1-785-519-11	PIN, CONNECTOR (PC BOARD)	24P	FB6003	1-414-921-11	FERRITE	0μH
* CN6023	1-818-762-11	PIN, CONNECTOR (PC BOARD)	26P	FB6004	1-469-869-21	FERRITE	0μH
* CN6024	1-785-533-11	PIN, CONNECTOR (PC BOARD)	16P	FB6005	1-469-869-21	FERRITE	0μH
* CN6028	1-785-530-11	PIN, CONNECTOR (PC BOARD)	10P	FB6006	1-469-869-21	FERRITE	0μH
* CN6029	1-823-330-11	CONNECTOR, BOARD TO BOARD	40P	FB6007	1-500-329-21	FERRITE	0μH
* CN6030	1-537-738-21	TERMINAL, EARTH		IC			
* CN6031	1-537-738-21	TERMINAL, EARTH		IC6002	6-705-025-01	IC	PQ20WZ1UJ00H
* CN6032	1-537-738-21	TERMINAL, EARTH		IC6003	8-752-072-94	IC	CXA1875AM-T4
CN6033	1-770-722-11	CONNECTOR, BOARD TO BOARD	6P	IC6004	6-705-025-01	IC	PQ20WZ1UJ00H
* CN6900	1-691-551-11	PIN, CONNECTOR (SMD)	8P	IC6005	6-705-025-01	IC	PQ20WZ1UJ00H
DIODE				IC6006	6-706-481-01	IC	TC7SET32FU(T5RSOJF)
D6002	8-719-404-50	DIODE	MA111-TX	IC6007	6-706-481-01	IC	TC7SET32FU(T5RSOJF)
D6003	8-719-404-50	DIODE	MA111-TX	IC6008	6-705-025-01	IC	PQ20WZ1UJ00H
D6004	8-719-404-50	DIODE	MA111-TX	IC6010	6-703-076-01	IC	XC6204B332MR
D6005	8-719-914-43	DIODE	DAN202K	IC6902	6-804-936-01	IC	MB90F334APMC-GE1-GW03
D6006	8-719-404-50	DIODE	MA111-TX	IC6904	6-703-176-01	IC	PST3627UL
D6007	8-719-404-50	DIODE	MA111-TX	IC6905	6-706-487-01	IC	TC7SH08FU(T5RSOYJF)
D6008	8-719-404-50	DIODE	MA111-TX	IC6907	6-706-487-01	IC	TC7SH08FU(T5RSOYJF)
D6009	8-719-404-50	DIODE	MA111-TX	IC6908	6-706-487-01	IC	TC7SH08FU(T5RSOYJF)
D6011	8-719-404-50	DIODE	MA111-TX	IC6909	6-706-481-01	IC	TC7SET32FU(T5RSOJF)
D6012	8-719-404-50	DIODE	MA111-TX	COIL			
D6013	8-719-404-50	DIODE	MA111-TX	L6000	1-414-857-11	INDUCTOR	100μH
D6014	8-719-404-50	DIODE	MA111-TX	L6001	1-414-857-11	INDUCTOR	100μH
D6015	8-719-404-50	DIODE	MA111-TX	TRANSISTOR			
D6016	8-719-914-43	DIODE	DAN202K	Q6000	8-729-422-33	TRANSISTOR	2SD601A-Q-TX
D6017	8-719-977-28	DIODE	DTZ10B	Q6001	8-729-216-22	TRANSISTOR	2SA1162-G
D6018	8-719-082-03	DIODE	MM3Z15VT1	Q6002	8-729-422-33	TRANSISTOR	2SD601A-Q-TX
D6019	8-719-404-50	DIODE	MA111-TX	Q6003	8-729-216-22	TRANSISTOR	2SA1162-G
D6020	8-719-404-50	DIODE	MA111-TX	Q6005	8-729-422-33	TRANSISTOR	2SD601A-Q-TX
D6901	8-719-050-37	DIODE	M1MA152WA-T1	Q6006	8-729-216-22	TRANSISTOR	2SA1162-G
D6902	8-719-050-38	DIODE	M1MA152WK-T1	Q6007	8-729-027-43	TRANSISTOR	DTC114EKA-T146
D6904	8-719-025-31	DIODE	02CZ5.6-TE85L	Q6008	8-729-216-22	TRANSISTOR	2SA1162-G
D6905	8-719-404-50	DIODE	MA111-TX	Q6009	8-729-422-33	TRANSISTOR	2SD601A-Q-TX
				Q6010	8-729-422-33	TRANSISTOR	2SD601A-Q-TX



REF. NO.	PART NO.	DESCRIPTION	VALUES			REF. NO.	PART NO.	DESCRIPTION	VALUES		
Q6011	8-729-422-33	TRANSISTOR	2SD601A-Q-TX			R6032	1-216-864-11	SHORT CHIP			
Q6012	8-729-422-33	TRANSISTOR	2SD601A-Q-TX			R6033	1-216-833-11	METAL CHIP	10K	5%	1/10W
Q6014	8-729-027-43	TRANSISTOR	DTC114EKA-T146			R6034	1-216-797-11	METAL CHIP	10	5%	1/10W
Q6015	8-729-027-43	TRANSISTOR	DTC114EKA-T146			R6035	1-216-801-11	METAL CHIP	22	5%	1/10W
Q6901	8-729-028-28	TRANSISTOR	2SK2036(TE85L)			R6036	1-216-833-11	METAL CHIP	10K	5%	1/10W
Q6902	8-729-028-28	TRANSISTOR	2SK2036(TE85L)			R6037	1-216-821-11	METAL CHIP	1K	5%	1/10W
Q6904	8-729-422-33	TRANSISTOR	2SD601A-Q-TX			R6038	1-216-801-11	METAL CHIP	22	5%	1/10W
Q6905	8-729-216-22	TRANSISTOR	2SA1162-G			R6039	1-216-833-11	METAL CHIP	10K	5%	1/10W
Q6906	8-729-027-43	TRANSISTOR	DTC114EKA-T146			R6040	1-218-722-11	METAL CHIP	18K	0.50%	1/10W
Q6907	8-729-422-33	TRANSISTOR	2SD601A-Q-TX			R6041	1-216-833-11	METAL CHIP	10K	5%	1/10W
Q6908	8-729-422-33	TRANSISTOR	2SD601A-Q-TX			R6042	1-218-867-11	METAL CHIP	6.8K	0.50%	1/10W
Q6909	8-729-422-33	TRANSISTOR	2SD601A-Q-TX			R6043	1-216-845-11	METAL CHIP	100K	5%	1/10W
Q6910	8-729-216-22	TRANSISTOR	2SA1162-G			R6044	1-216-821-11	METAL CHIP	1K	5%	1/10W
Q6912	8-729-422-33	TRANSISTOR	2SD601A-Q-TX			R6045	1-216-845-11	METAL CHIP	100K	5%	1/10W
Q6913	8-729-216-22	TRANSISTOR	2SA1162-G			R6046	1-216-797-11	METAL CHIP	10	5%	1/10W
Q6914	8-729-216-22	TRANSISTOR	2SA1162-G			R6047	1-216-864-11	SHORT CHIP			
Q6915	8-729-422-33	TRANSISTOR	2SD601A-Q-TX			R6050	1-218-716-11	METAL CHIP	10K	0.50%	1/10W
Q6916	8-729-422-33	TRANSISTOR	2SD601A-Q-TX			R6051	1-216-845-11	METAL CHIP	100K	5%	1/10W
Q6917	8-729-422-33	TRANSISTOR	2SD601A-Q-TX			R6052	1-218-867-11	METAL CHIP	6.8K	0.50%	1/10W
						R6053	1-218-722-11	METAL CHIP	18K	0.50%	1/10W
						R6054	1-216-864-11	SHORT CHIP			
						R6055	1-216-824-11	METAL CHIP	1.8K	5%	1/10W
						R6057	1-218-716-11	METAL CHIP	10K	0.50%	1/10W
						R6058	1-218-722-11	METAL CHIP	18K	0.50%	1/10W
						R6059	1-216-833-11	METAL CHIP	10K	5%	1/10W
						R6060	1-216-809-11	METAL CHIP	100	5%	1/10W
						R6061	1-216-833-11	METAL CHIP	10K	5%	1/10W
						R6062	1-216-809-11	METAL CHIP	100	5%	1/10W
						R6063	1-216-845-11	METAL CHIP	100K	5%	1/10W
						R6065	1-218-716-11	METAL CHIP	10K	0.50%	1/10W
						R6070	1-218-722-11	METAL CHIP	18K	0.50%	1/10W
						R6071	1-216-801-11	METAL CHIP	22	5%	1/10W
						R6072	1-216-801-11	METAL CHIP	22	5%	1/10W
						R6073	1-216-864-11	SHORT CHIP			
						R6074	1-216-864-11	SHORT CHIP			
						R6078	1-216-833-11	METAL CHIP	10K	5%	1/10W
						R6079	1-216-833-11	METAL CHIP	10K	5%	1/10W
						R6080	1-216-833-11	METAL CHIP	10K	5%	1/10W
						R6081	1-216-833-11	METAL CHIP	10K	5%	1/10W
						R6082	1-216-833-11	METAL CHIP	10K	5%	1/10W
						R6083	1-216-825-11	METAL CHIP	2.2K	5%	1/10W
						R6084	1-216-833-11	METAL CHIP	10K	5%	1/10W
						R6085	1-216-833-11	METAL CHIP	10K	5%	1/10W

RESISTOR



REF. NO.	PART NO.	DESCRIPTION	VALUES			REF. NO.	PART NO.	DESCRIPTION	VALUES		
R6086	1-216-825-11	METAL CHIP	2.2K	5%	1/10W	R6153	1-216-864-11	SHORT CHIP			
R6088	1-216-864-11	SHORT CHIP				R6154	1-216-864-11	SHORT CHIP			
R6089	1-216-864-11	SHORT CHIP				R6155	1-216-864-11	SHORT CHIP			
R6091	1-216-833-11	METAL CHIP	10K	5%	1/10W	R6156	1-216-864-11	SHORT CHIP			
R6099	1-216-864-11	SHORT CHIP				R6157	1-216-864-11	SHORT CHIP			
R6100	1-216-864-11	SHORT CHIP				R6158	1-216-864-11	SHORT CHIP			
R6101	1-216-864-11	SHORT CHIP				R6159	1-216-864-11	SHORT CHIP			
R6102	1-216-864-11	SHORT CHIP				R6160	1-216-864-11	SHORT CHIP			
R6103	1-216-864-11	SHORT CHIP				R6164	1-216-864-11	SHORT CHIP			
R6105	1-216-864-11	SHORT CHIP				R6165	1-216-864-11	SHORT CHIP			
R6106	1-216-864-11	SHORT CHIP				R6166	1-216-864-11	SHORT CHIP			
R6107	1-216-864-11	SHORT CHIP				R6170	1-216-833-11	METAL CHIP	10K	5%	1/10W
R6108	1-216-864-11	SHORT CHIP				R6176	1-216-797-11	METAL CHIP	10	5%	1/10W
R6110	1-216-814-11	METAL CHIP	270	5%	1/10W	R6177	1-216-845-11	METAL CHIP	100K	5%	1/10W
R6111	1-216-864-11	SHORT CHIP				R6178	1-216-845-11	METAL CHIP	100K	5%	1/10W
R6112	1-216-864-11	SHORT CHIP				R6179	1-216-821-11	METAL CHIP	1K	5%	1/10W
R6113	1-216-864-11	SHORT CHIP				R6180	1-218-867-11	METAL CHIP	6.8K	0.50%	1/10W
R6114	1-216-864-11	SHORT CHIP				R6181	1-216-864-11	SHORT CHIP			
R6115	1-216-864-11	SHORT CHIP				R6185	1-216-833-11	METAL CHIP	10K	5%	1/10W
R6116	1-216-864-11	SHORT CHIP				R6188	1-216-864-11	SHORT CHIP			
R6117	1-216-864-11	SHORT CHIP				R6189	1-216-864-11	SHORT CHIP			
R6118	1-216-864-11	SHORT CHIP				R6191	1-216-864-11	SHORT CHIP			
R6119	1-216-864-11	SHORT CHIP				R6192	1-216-864-11	SHORT CHIP			
R6120	1-216-864-11	SHORT CHIP				R6193	1-216-864-11	SHORT CHIP			
R6121	1-216-864-11	SHORT CHIP				R6195	1-216-864-11	SHORT CHIP			
R6122	1-216-864-11	SHORT CHIP				R6201	1-216-833-11	METAL CHIP	10K	5%	1/10W
R6123	1-216-864-11	SHORT CHIP				R6208	1-216-864-11	SHORT CHIP			
R6126	1-216-864-11	SHORT CHIP				R6213	1-216-864-11	SHORT CHIP			
R6127	1-216-864-11	SHORT CHIP				R6214	1-216-864-11	SHORT CHIP			
R6128	1-216-864-11	SHORT CHIP				R6215	1-216-864-11	SHORT CHIP			
R6129	1-216-864-11	SHORT CHIP				R6216	1-216-864-11	SHORT CHIP			
R6130	1-216-864-11	SHORT CHIP				R6217	1-216-864-11	SHORT CHIP			
R6131	1-216-864-11	SHORT CHIP				R6218	1-216-864-11	SHORT CHIP			
R6134	1-216-864-11	SHORT CHIP				R6219	1-216-864-11	SHORT CHIP			
R6135	1-216-864-11	SHORT CHIP				R6220	1-216-864-11	SHORT CHIP			
R6136	1-216-864-11	SHORT CHIP				R6864	1-216-864-11	SHORT CHIP			
R6137	1-216-864-11	SHORT CHIP				R6865	1-216-833-11	METAL CHIP	10K	5%	1/10W
R6138	1-216-864-11	SHORT CHIP				R6866	1-216-864-11	SHORT CHIP			
R6143	1-216-864-11	SHORT CHIP				R6867	1-216-833-11	METAL CHIP	10K	5%	1/10W
R6144	1-216-864-11	SHORT CHIP				R6868	1-216-845-11	METAL CHIP	100K	5%	1/10W
R6145	1-216-864-11	SHORT CHIP				R6869	1-216-845-11	METAL CHIP	100K	5%	1/10W
R6146	1-216-833-11	METAL CHIP	10K	5%	1/10W	R6870	1-216-845-11	METAL CHIP	100K	5%	1/10W
						R6873	1-216-809-11	METAL CHIP	100	5%	1/10W



REF. NO.	PART NO.	DESCRIPTION	VALUES			REF. NO.	PART NO.	DESCRIPTION	VALUES		
R6874	1-216-845-11	METAL CHIP	100K	5%	1/10W	R6924	1-216-833-11	METAL CHIP	10K	5%	1/10W
R6876	1-216-864-11	SHORT CHIP				R6925	1-216-864-11	SHORT CHIP			
R6877	1-216-864-11	SHORT CHIP				R6926	1-216-833-11	METAL CHIP	10K	5%	1/10W
R6878	1-216-837-11	METAL CHIP	22K	5%	1/10W	R6927	1-216-833-11	METAL CHIP	10K	5%	1/10W
R6880	1-216-833-11	METAL CHIP	10K	5%	1/10W	R6928	1-216-833-11	METAL CHIP	10K	5%	1/10W
R6881	1-216-833-11	METAL CHIP	10K	5%	1/10W	R6929	1-216-809-11	METAL CHIP	100	5%	1/10W
R6882	1-216-809-11	METAL CHIP	100	5%	1/10W	R6930	1-216-857-11	METAL CHIP	1M	5%	1/10W
R6883	1-216-864-11	SHORT CHIP				R6931	1-216-841-11	METAL CHIP	47K	5%	1/10W
R6884	1-216-864-11	SHORT CHIP				R6932	1-216-833-11	METAL CHIP	10K	5%	1/10W
R6885	1-216-864-11	SHORT CHIP				R6933	1-216-809-11	METAL CHIP	100	5%	1/10W
R6886	1-216-864-11	SHORT CHIP				R6934	1-216-809-11	METAL CHIP	100	5%	1/10W
R6887	1-216-864-11	SHORT CHIP				R6935	1-216-845-11	METAL CHIP	100K	5%	1/10W
R6888	1-216-864-11	SHORT CHIP				R6936	1-216-841-11	METAL CHIP	47K	5%	1/10W
R6889	1-216-809-11	METAL CHIP	100	5%	1/10W	R6937	1-216-833-11	METAL CHIP	10K	5%	1/10W
R6890	1-216-809-11	METAL CHIP	100	5%	1/10W	R6938	1-216-833-11	METAL CHIP	10K	5%	1/10W
R6891	1-216-809-11	METAL CHIP	100	5%	1/10W	R6939	1-216-809-11	METAL CHIP	100	5%	1/10W
R6892	1-216-809-11	METAL CHIP	100	5%	1/10W	R6940	1-216-841-11	METAL CHIP	47K	5%	1/10W
R6893	1-216-833-11	METAL CHIP	10K	5%	1/10W	R6941	1-216-845-11	METAL CHIP	100K	5%	1/10W
R6894	1-216-809-11	METAL CHIP	100	5%	1/10W	R6942	1-216-839-11	METAL CHIP	33K	5%	1/10W
R6895	1-216-809-11	METAL CHIP	100	5%	1/10W	R6943	1-216-833-11	METAL CHIP	10K	5%	1/10W
R6896	1-216-823-11	METAL CHIP	1.5K	5%	1/10W	R6944	1-216-833-11	METAL CHIP	10K	5%	1/10W
R6897	1-216-864-11	SHORT CHIP				R6945	1-216-833-11	METAL CHIP	10K	5%	1/10W
R6898	1-218-654-11	METAL CHIP	27	0.50%	1/10W	R6946	1-216-809-11	METAL CHIP	100	5%	1/10W
R6899	1-218-654-11	METAL CHIP	27	0.50%	1/10W	R6947	1-216-833-11	METAL CHIP	10K	5%	1/10W
R6901	1-216-805-11	METAL CHIP	47	5%	1/10W	R6948	1-216-837-11	METAL CHIP	22K	5%	1/10W
R6902	1-216-864-11	SHORT CHIP				R6949	1-216-821-11	METAL CHIP	1K	5%	1/10W
R6904	1-216-864-11	SHORT CHIP				R6950	1-216-833-11	METAL CHIP	10K	5%	1/10W
R6906	1-216-833-11	METAL CHIP	10K	5%	1/10W	R6951	1-216-821-11	METAL CHIP	1K	5%	1/10W
R6907	1-216-833-11	METAL CHIP	10K	5%	1/10W	R6952	1-216-833-11	METAL CHIP	10K	5%	1/10W
R6908	1-216-825-11	METAL CHIP	2.2K	5%	1/10W	R6953	1-216-837-11	METAL CHIP	22K	5%	1/10W
R6909	1-216-825-11	METAL CHIP	2.2K	5%	1/10W	R6954	1-216-821-11	METAL CHIP	1K	5%	1/10W
R6910	1-216-809-11	METAL CHIP	100	5%	1/10W	R6955	1-216-821-11	METAL CHIP	1K	5%	1/10W
R6911	1-216-809-11	METAL CHIP	100	5%	1/10W	R6956	1-216-833-11	METAL CHIP	10K	5%	1/10W
R6912	1-216-809-11	METAL CHIP	100	5%	1/10W	R6957	1-216-825-11	METAL CHIP	2.2K	5%	1/10W
R6913	1-216-864-11	SHORT CHIP				R6958	1-216-864-11	SHORT CHIP			
R6914	1-216-801-11	METAL CHIP	22	5%	1/10W	R6959	1-216-833-11	METAL CHIP	10K	5%	1/10W
R6915	1-216-801-11	METAL CHIP	22	5%	1/10W	R6960	1-216-821-11	METAL CHIP	1K	5%	1/10W
R6918	1-216-833-11	METAL CHIP	10K	5%	1/10W	R6961	1-216-833-11	METAL CHIP	10K	5%	1/10W
R6919	1-216-833-11	METAL CHIP	10K	5%	1/10W	R6962	1-216-814-11	METAL CHIP	270	5%	1/10W
R6920	1-216-833-11	METAL CHIP	10K	5%	1/10W	R6963	1-216-809-11	METAL CHIP	100	5%	1/10W
R6921	1-216-833-11	METAL CHIP	10K	5%	1/10W	R6964	1-216-833-11	METAL CHIP	10K	5%	1/10W
R6922	1-216-833-11	METAL CHIP	10K	5%	1/10W	R6966	1-216-801-11	METAL CHIP	22	5%	1/10W
						R6967	1-216-801-11	METAL CHIP	22	5%	1/10W



REF. NO.	PART NO.	DESCRIPTION	VALUES			REF. NO.	PART NO.	DESCRIPTION	VALUES		
R6968	1-216-813-11	METAL CHIP	220	5%	1/10W						
R6970	1-216-809-11	METAL CHIP	100	5%	1/10W						
R6971	1-216-833-11	METAL CHIP	10K	5%	1/10W						
R6972	1-216-833-11	METAL CHIP	10K	5%	1/10W						
R6973	1-216-833-11	METAL CHIP	10K	5%	1/10W						
R6974	1-216-864-11	SHORT CHIP									
R6976	1-216-801-11	METAL CHIP	22	5%	1/10W						
R6977	1-216-801-11	METAL CHIP	22	5%	1/10W						
R6978	1-216-845-11	METAL CHIP	100K	5%	1/10W						
R6979	1-216-864-11	SHORT CHIP									
R6980	1-216-809-11	METAL CHIP	100	5%	1/10W						
R6981	1-216-809-11	METAL CHIP	100	5%	1/10W						
R6982	1-216-841-11	METAL CHIP	47K	5%	1/10W						
R6983	1-216-809-11	METAL CHIP	100	5%	1/10W						
R6984	1-216-833-11	METAL CHIP	10K	5%	1/10W						
R6985	1-216-833-11	METAL CHIP	10K	5%	1/10W						
R6986	1-216-833-11	METAL CHIP	10K	5%	1/10W						
R6987	1-216-809-11	METAL CHIP	100	5%	1/10W						
R6988	1-216-833-11	METAL CHIP	10K	5%	1/10W						
R6989	1-216-833-11	METAL CHIP	10K	5%	1/10W						
R6990	1-216-864-11	SHORT CHIP									
R6993	1-216-833-11	METAL CHIP	10K	5%	1/10W						
R6995	1-216-864-11	SHORT CHIP									
R6996	1-216-833-11	METAL CHIP	10K	5%	1/10W						
R6999	1-216-833-11	METAL CHIP	10K	5%	1/10W						
RESISTOR BRIDGE											
RB6901	1-236-908-11	NETWORK RESISTOR(CHIP)	10K								
RB6902	1-236-908-11	NETWORK RESISTOR(CHIP)	10K								
CRYSTAL											
X6900	1-767-419-21	VIBRATOR, CRYSTAL									



* A-1060-187-A KD BOARD, COMPLETE

CAPACITOR

C4702	1-124-779-00	ELECT CHIP	10µF	20%	16V
C4704	1-164-156-11	CERAMIC CHIP	0.1µF		25V
C4705	1-107-826-11	CERAMIC CHIP	0.1µF	10%	16V
C4707	1-100-743-91	CERAMIC CHIP	2.2µF	20%	16V
C4708	1-162-967-11	CERAMIC CHIP	0.0033µF	10%	50V
C4709	1-164-156-11	CERAMIC CHIP	0.1µF		25V
C4710	1-164-156-11	CERAMIC CHIP	0.1µF		25V
C4711	1-107-826-11	CERAMIC CHIP	0.1µF	10%	16V
C4714	1-162-964-11	CERAMIC CHIP	0.001µF	10%	50V
C4715	1-126-395-11	ELECT CHIP	22µF	20%	16V
C4716	1-164-156-11	CERAMIC CHIP	0.1µF		25V
C4718	1-107-826-11	CERAMIC CHIP	0.1µF	10%	16V
C4719	1-107-826-11	CERAMIC CHIP	0.1µF	10%	16V
C4720	1-125-827-91	CERAMIC CHIP	1µF	10%	25V
C4721	1-162-964-11	CERAMIC CHIP	0.001µF	10%	50V
C4722	1-164-156-11	CERAMIC CHIP	0.1µF		25V
C4723	1-115-340-11	CERAMIC CHIP	0.22µF	10%	25V
C4724	1-124-779-00	ELECT CHIP	10µF	20%	16V
C4725	1-164-156-11	CERAMIC CHIP	0.1µF		25V
C4728	1-162-923-11	CERAMIC CHIP	47pF	5%	50V
C4729	1-107-826-11	CERAMIC CHIP	0.1µF	10%	16V
C4730	1-163-989-11	CERAMIC CHIP	0.033µF	10%	25V
C4732	1-100-566-91	CERAMIC CHIP	0.1µF	10%	25V
C4733	1-107-826-11	CERAMIC CHIP	0.1µF	10%	16V
C4735	1-126-193-11	ELECT CHIP	1µF	20%	50V
C4736	1-100-566-91	CERAMIC CHIP	0.1µF	10%	25V
C4738	1-115-340-11	CERAMIC CHIP	0.22µF	10%	25V
C4740	1-162-964-11	CERAMIC CHIP	0.001µF	10%	50V
C4741	1-131-704-11	FILM	1µF	5%	50V
C4742	1-100-566-91	CERAMIC CHIP	0.1µF	10%	25V
C4743	1-162-964-11	CERAMIC CHIP	0.001µF	10%	50V
C4745	1-100-566-91	CERAMIC CHIP	0.1µF	10%	25V
C4746	1-107-826-11	CERAMIC CHIP	0.1µF	10%	16V
C4747	1-162-967-11	CERAMIC CHIP	0.0033µF	10%	50V
C4748	1-131-704-11	FILM	1µF	5%	50V



REF. NO.	PART NO.	DESCRIPTION	VALUES			REF. NO.	PART NO.	DESCRIPTION	VALUES		
C4749	1-107-826-11	CERAMIC CHIP	0.1μF	10%	16V	C4801	1-115-340-11	CERAMIC CHIP	0.22μF	10%	25V
C4750	1-100-566-91	CERAMIC CHIP	0.1μF	10%	25V	C4802	1-126-395-11	ELECT CHIP	22μF	20%	16V
C4751	1-100-566-91	CERAMIC CHIP	0.1μF	10%	25V	C4803	1-164-156-11	CERAMIC CHIP	0.1μF		25V
C4752	1-162-967-11	CERAMIC CHIP	0.0033μF	10%	50V	C4804	1-163-989-11	CERAMIC CHIP	0.033μF	10%	25V
C4753	1-117-318-91	ELECT	2200μF	20%	25V	C4805	1-107-826-11	CERAMIC CHIP	0.1μF	10%	16V
C4754	1-100-566-91	CERAMIC CHIP	0.1μF	10%	25V	C4806	1-107-826-11	CERAMIC CHIP	0.1μF	10%	16V
C4755	1-162-923-11	CERAMIC CHIP	47pF	5%	50V	C4807	1-164-156-11	CERAMIC CHIP	0.1μF		25V
C4756	1-162-923-11	CERAMIC CHIP	47pF	5%	50V	C4808	1-124-779-00	ELECT CHIP	10μF	20%	16V
C4757	1-162-923-11	CERAMIC CHIP	47pF	5%	50V	C4809	1-164-156-11	CERAMIC CHIP	0.1μF		25V
C4758	1-163-989-11	CERAMIC CHIP	0.033μF	10%	25V	C4811	1-162-923-11	CERAMIC CHIP	47pF	5%	50V
C4759	1-162-970-11	CERAMIC CHIP	0.01μF	10%	25V	C4813	1-107-826-11	CERAMIC CHIP	0.1μF	10%	16V
C4761	1-125-827-91	CERAMIC CHIP	1μF	10%	25V	C4814	1-125-827-91	CERAMIC CHIP	1μF	10%	25V
C4762	1-162-915-11	CERAMIC CHIP	10pF	0.50pF	50V	C4817	1-162-964-11	CERAMIC CHIP	0.001μF	10%	50V
C4763	1-162-915-11	CERAMIC CHIP	10pF	0.50pF	50V	C4818	1-107-826-11	CERAMIC CHIP	0.1μF	10%	16V
C4764	1-127-573-11	CERAMIC CHIP	1μF	10%	16V	C4820	1-126-193-11	ELECT CHIP	1μF	20%	50V
C4765	1-128-994-21	ELECT CHIP	47μF	20%	10V	C4821	1-126-193-11	ELECT CHIP	1μF	20%	50V
C4766	1-128-994-21	ELECT CHIP	47μF	20%	10V	C4822	1-115-340-11	CERAMIC CHIP	0.22μF	10%	25V
C4767	1-128-994-21	ELECT CHIP	47μF	20%	10V	C4823	1-162-964-11	CERAMIC CHIP	0.001μF	10%	50V
C4768	1-100-743-91	CERAMIC CHIP	2.2μF	20%	16V	C4825	1-162-964-11	CERAMIC CHIP	0.001μF	10%	50V
C4769	1-107-826-11	CERAMIC CHIP	0.1μF	10%	16V	C4827	1-107-826-11	CERAMIC CHIP	0.1μF	10%	16V
C4770	1-100-743-91	CERAMIC CHIP	2.2μF	20%	16V	C4828	1-128-006-11	ELECT CHIP	4.7μF	20%	25V
C4771	1-125-827-91	CERAMIC CHIP	1μF	10%	25V	C4829	1-107-826-11	CERAMIC CHIP	0.1μF	10%	16V
C4772	1-128-994-21	ELECT CHIP	47μF	20%	10V	C4830	1-125-827-91	CERAMIC CHIP	1μF	10%	25V
C4773	1-124-779-00	ELECT CHIP	10μF	20%	16V	C4831	1-162-964-11	CERAMIC CHIP	0.001μF	10%	50V
C4774	1-107-826-11	CERAMIC CHIP	0.1μF	10%	16V	C4832	1-115-340-11	CERAMIC CHIP	0.22μF	10%	25V
C4776	1-164-156-11	CERAMIC CHIP	0.1μF		25V	C4833	1-162-923-11	CERAMIC CHIP	47pF	5%	50V
C4777	1-163-989-11	CERAMIC CHIP	0.033μF	10%	25V	C4834	1-162-923-11	CERAMIC CHIP	47pF	5%	50V
C4778	1-100-566-91	CERAMIC CHIP	0.1μF	10%	25V	C4835	1-162-923-11	CERAMIC CHIP	47pF	5%	50V
C4780	1-107-826-11	CERAMIC CHIP	0.1μF	10%	16V	C4836	1-162-970-11	CERAMIC CHIP	0.01μF	10%	25V
C4781	1-100-566-91	CERAMIC CHIP	0.1μF	10%	25V	C4837	1-162-923-11	CERAMIC CHIP	47pF	5%	50V
C4784	1-100-566-91	CERAMIC CHIP	0.1μF	10%	25V	C4838	1-163-989-11	CERAMIC CHIP	0.033μF	10%	25V
C4785	1-131-704-11	FILM	1μF	5%	50V	C4839	1-100-566-91	CERAMIC CHIP	0.1μF	10%	25V
C4786	1-162-964-11	CERAMIC CHIP	0.001μF	10%	50V	C4840	1-100-566-91	CERAMIC CHIP	0.1μF	10%	25V
C4788	1-100-566-91	CERAMIC CHIP	0.1μF	10%	25V	C4842	1-115-340-11	CERAMIC CHIP	0.22μF	10%	25V
C4789	1-131-704-11	FILM	1μF	5%	50V	C4844	1-162-964-11	CERAMIC CHIP	0.001μF	10%	50V
C4790	1-164-156-11	CERAMIC CHIP	0.1μF		25V	C4845	1-131-704-11	FILM	1μF	5%	50V
C4791	1-164-156-11	CERAMIC CHIP	0.1μF		25V	C4846	1-100-566-91	CERAMIC CHIP	0.1μF	10%	25V
C4792	1-162-964-11	CERAMIC CHIP	0.001μF	10%	50V	C4847	1-162-964-11	CERAMIC CHIP	0.001μF	10%	50V
C4793	1-100-566-91	CERAMIC CHIP	0.1μF	10%	25V	C4848	1-100-566-91	CERAMIC CHIP	0.1μF	10%	25V
C4795	1-117-318-91	ELECT	2200μF	20%	25V	C4850	1-131-704-11	FILM	1μF	5%	50V
C4796	1-107-826-11	CERAMIC CHIP	0.1μF	10%	16V	C4851	1-100-566-91	CERAMIC CHIP	0.1μF	10%	25V
C4797	1-100-566-91	CERAMIC CHIP	0.1μF	10%	25V	C4852	1-100-566-91	CERAMIC CHIP	0.1μF	10%	25V
C4799	1-100-566-91	CERAMIC CHIP	0.1μF	10%	25V						



REF. NO.	PART NO.	DESCRIPTION	VALUES			REF. NO.	PART NO.	DESCRIPTION	VALUES		
Q4709	6-550-586-01	TRANSISTOR	2PA1576R-115			R4741	1-216-833-11	METAL CHIP	10K	5%	1/10W
Q4711	6-550-585-01	TRANSISTOR	2PC4081R-115			R4742	1-216-864-11	SHORT CHIP			
Q4901	6-550-586-01	TRANSISTOR	2PA1576R-115			R4743	1-216-809-11	METAL CHIP	100	5%	1/10W
Q4902	6-550-585-01	TRANSISTOR	2PC4081R-115			R4744	1-216-864-11	SHORT CHIP			
						R4747	1-216-864-11	SHORT CHIP			
						R4750	1-216-864-11	SHORT CHIP			
						R4751	1-216-833-11	METAL CHIP	10K	5%	1/10W
						R4752	1-216-817-11	METAL CHIP	470	5%	1/10W
						R4753	1-216-847-11	METAL CHIP	150K	5%	1/10W
						R4754	1-216-857-11	METAL CHIP	1M	5%	1/10W
						R4755	1-216-844-11	METAL CHIP	82K	5%	1/10W
						R4756	1-216-845-11	METAL CHIP	100K	5%	1/10W
						R4757	1-216-846-11	METAL CHIP	120K	5%	1/10W
						R4758	1-216-845-11	METAL CHIP	100K	5%	1/10W
						R4759	1-216-845-11	METAL CHIP	100K	5%	1/10W
						R4760	1-216-846-11	METAL CHIP	120K	5%	1/10W
						R4761	1-216-845-11	METAL CHIP	100K	5%	1/10W
						R4762	1-220-281-11	RES-CHIP	4.7K	5%	1/4W
						R4763	1-216-809-11	METAL CHIP	100	5%	1/10W
						R4764	1-216-809-11	METAL CHIP	100	5%	1/10W
						R4765	1-216-864-11	SHORT CHIP			
						R4767	1-216-809-11	METAL CHIP	100	5%	1/10W
						R4768	1-216-864-11	SHORT CHIP			
						R4770	1-216-813-11	METAL CHIP	220	5%	1/10W
						R4771	1-216-821-11	METAL CHIP	1K	5%	1/10W
						R4772	1-216-809-11	METAL CHIP	100	5%	1/10W
						R4774	1-216-864-11	SHORT CHIP			
						R4775	1-216-864-11	SHORT CHIP			
						R4776	1-216-864-11	SHORT CHIP			
						R4778	1-216-864-11	SHORT CHIP			
						R4779	1-220-942-11	METAL CHIP	3.3	1%	1/4W
						R4780	1-216-864-11	SHORT CHIP			
						R4781	1-218-708-11	METAL CHIP	4.7K	0.50%	1/10W
						R4782	1-220-942-11	METAL CHIP	3.3	1%	1/4W
						R4783	1-218-708-11	METAL CHIP	4.7K	0.50%	1/10W
						R4784	1-216-864-11	SHORT CHIP			
						R4785	1-216-821-11	METAL CHIP	1K	5%	1/10W
						R4786	1-216-864-11	SHORT CHIP			
						R4787	1-216-790-11	METAL CHIP	2.7	5%	1/10W
						R4788	1-216-864-11	SHORT CHIP			
						R4789	1-216-864-11	SHORT CHIP			
						R4791	1-216-864-11	SHORT CHIP			
						R4792	1-216-818-11	METAL CHIP	560	5%	1/10W



REF. NO.	PART NO.	DESCRIPTION	VALUES			REF. NO.	PART NO.	DESCRIPTION	VALUES		
R4793	1-216-822-11	METAL CHIP	1.2K	5%	1/10W	R4850	1-216-809-11	METAL CHIP	100	5%	1/10W
R4794	1-216-837-11	METAL CHIP	22K	5%	1/10W	R4851	1-216-809-11	METAL CHIP	100	5%	1/10W
R4796	1-216-809-11	METAL CHIP	100	5%	1/10W	R4852	1-216-809-11	METAL CHIP	100	5%	1/10W
R4797	1-216-833-11	METAL CHIP	10K	5%	1/10W	R4853	1-216-809-11	METAL CHIP	100	5%	1/10W
R4798	1-216-864-11	SHORT CHIP				R4854	1-216-864-11	SHORT CHIP			
R4799	1-216-833-11	METAL CHIP	10K	5%	1/10W	R4858	1-216-833-11	METAL CHIP	10K	5%	1/10W
R4800	1-216-864-11	SHORT CHIP				R4860	1-216-864-11	SHORT CHIP			
R4801	1-216-790-11	METAL CHIP	2.7	5%	1/10W	R4861	1-216-864-11	SHORT CHIP			
R4802	1-216-864-11	SHORT CHIP				R4862	1-249-393-11	CARBON	10	5%	1/4W
R4804	1-216-821-11	METAL CHIP	1K	5%	1/10W	R4863	1-216-864-11	SHORT CHIP			
R4805	1-216-809-11	METAL CHIP	100	5%	1/10W	R4864	1-216-864-11	SHORT CHIP			
R4806	1-216-809-11	METAL CHIP	100	5%	1/10W	R4865	1-216-864-11	SHORT CHIP			
R4807	1-216-809-11	METAL CHIP	100	5%	1/10W	R4866	1-216-864-11	SHORT CHIP			
R4808	1-216-833-11	METAL CHIP	10K	5%	1/10W	R4867	1-216-864-11	SHORT CHIP			
R4809	1-216-864-11	SHORT CHIP				R4868	1-216-864-11	SHORT CHIP			
R4811	1-216-790-11	METAL CHIP	2.7	5%	1/10W	R4869	1-216-833-11	METAL CHIP	10K	5%	1/10W
R4813	1-216-821-11	METAL CHIP	1K	5%	1/10W	R4870	1-216-864-11	SHORT CHIP			
R4814	1-216-818-11	METAL CHIP	560	5%	1/10W	R4871	1-216-864-11	SHORT CHIP			
R4815	1-216-837-11	METAL CHIP	22K	5%	1/10W	R4872	1-216-864-11	SHORT CHIP			
R4816	1-216-833-11	METAL CHIP	10K	5%	1/10W	R4875	1-216-864-11	SHORT CHIP			
R4819	1-216-829-11	METAL CHIP	4.7K	5%	1/10W	R4886	1-216-864-11	SHORT CHIP			
R4820	1-216-829-11	METAL CHIP	4.7K	5%	1/10W	R4887	1-216-833-11	METAL CHIP	10K	5%	1/10W
R4822	1-216-833-11	METAL CHIP	10K	5%	1/10W	R4889	1-216-821-11	METAL CHIP	1K	5%	1/10W
R4823	1-216-864-11	SHORT CHIP				R4933	1-216-821-11	METAL CHIP	1K	5%	1/10W
R4824	1-216-790-11	METAL CHIP	2.7	5%	1/10W	R4935	1-216-835-11	METAL CHIP	15K	5%	1/10W
R4826	1-216-864-11	SHORT CHIP				R4936	1-216-821-11	METAL CHIP	1K	5%	1/10W
R4827	1-220-942-11	METAL CHIP	3.3	1%	1/4W	R4937	1-216-833-11	METAL CHIP	10K	5%	1/10W
R4828	1-216-864-11	SHORT CHIP				R4938	1-216-821-11	METAL CHIP	1K	5%	1/10W
R4829	1-218-708-11	METAL CHIP	4.7K	0.50%	1/10W						
R4830	1-216-833-11	METAL CHIP	10K	5%	1/10W						
R4831	1-216-833-11	METAL CHIP	10K	5%	1/10W						
R4832	1-220-942-11	METAL CHIP	3.3	1%	1/4W						
R4833	1-218-708-11	METAL CHIP	4.7K	0.50%	1/10W						
R4834	1-216-864-11	SHORT CHIP									
R4835	1-216-864-11	SHORT CHIP									
R4837	1-216-864-11	SHORT CHIP									
R4841	1-215-872-11	METAL OXIDE	3.3K	5%	1W						
R4842	1-216-822-11	METAL CHIP	1.2K	5%	1/10W						
R4843	1-216-797-11	METAL CHIP	10	5%	1/10W						
R4845	1-216-821-11	METAL CHIP	1K	5%	1/10W						
R4846	1-216-822-11	METAL CHIP	1.2K	5%	1/10W						
R4848	1-216-821-11	METAL CHIP	1K	5%	1/10W						
						CRYSTAL					
						X4702	1-795-843-11	VIBRATOR, CRYSTAL			
						X4703	1-813-388-11	OSCILLATOR, CRYSTAL			
						P					
						*	A-1068-754-A	P BOARD, COMPLETE			
							4-382-854-01	SCREW (M3X8), P, SW (+)			
							7-685-872-09	SCREW +BVTT 3X8 (S)			
						CAPACITOR					
						C9507	1-162-970-11	CERAMIC CHIP	0.01µF	10%	25V
						C9508	1-126-394-11	ELECT CHIP	10µF	20%	16V



REF. NO.	PART NO.	DESCRIPTION	VALUES			REF. NO.	PART NO.	DESCRIPTION	VALUES		
C9509	1-162-966-11	CERAMIC CHIP	0.0022µF	10%	50V	C9561	1-100-756-91	CERAMIC CHIP	0.047µF		50V
C9510	1-164-230-11	CERAMIC CHIP	220pF	5%	50V	C9562	1-127-692-11	CERAMIC CHIP	10µF	10%	16V
C9511	1-162-966-11	CERAMIC CHIP	0.0022µF	10%	50V	C9563	1-126-394-11	ELECT CHIP	10µF	20%	16V
C9513	1-162-966-11	CERAMIC CHIP	0.0022µF	10%	50V	C9571	1-126-394-11	ELECT CHIP	10µF	20%	16V
C9514	1-126-394-11	ELECT CHIP	10µF	20%	16V	C9575	1-162-970-11	CERAMIC CHIP	0.01µF	10%	25V
C9515	1-126-394-11	ELECT CHIP	10µF	20%	16V	C9576	1-126-394-11	ELECT CHIP	10µF	20%	16V
C9516	1-107-826-11	CERAMIC CHIP	0.1µF	10%	16V	C9578	1-162-916-11	CERAMIC CHIP	12pF	5%	50V
C9517	1-126-394-11	ELECT CHIP	10µF	20%	16V	C9579	1-162-916-11	CERAMIC CHIP	12pF	5%	50V
C9519	1-100-566-91	CERAMIC CHIP	0.1µF	10%	25V	C9583	1-107-826-11	CERAMIC CHIP	0.1µF	10%	16V
C9521	1-162-964-11	CERAMIC CHIP	0.001µF	10%	50V	C9584	1-100-566-91	CERAMIC CHIP	0.1µF	10%	25V
C9523	1-162-964-11	CERAMIC CHIP	0.001µF	10%	50V	C9585	1-100-566-91	CERAMIC CHIP	0.1µF	10%	25V
C9524	1-100-566-91	CERAMIC CHIP	0.1µF	10%	25V	C9586	1-100-566-91	CERAMIC CHIP	0.1µF	10%	25V
C9525	1-100-566-91	CERAMIC CHIP	0.1µF	10%	25V	C9587	1-100-566-91	CERAMIC CHIP	0.1µF	10%	25V
C9526	1-126-394-11	ELECT CHIP	10µF	20%	16V	C9588	1-100-566-91	CERAMIC CHIP	0.1µF	10%	25V
C9527	1-164-505-11	CERAMIC CHIP	2.2µF		16V	C9589	1-100-566-91	CERAMIC CHIP	0.1µF	10%	25V
C9528	1-126-246-11	ELECT CHIP	220µF	20%	4V	C9623	1-100-566-91	CERAMIC CHIP	0.1µF	10%	25V
C9529	1-107-826-11	CERAMIC CHIP	0.1µF	10%	16V	C9824	1-162-919-11	CERAMIC CHIP	22pF	5%	50V
C9530	1-126-394-11	ELECT CHIP	10µF	20%	16V	C9825	1-162-919-11	CERAMIC CHIP	22pF	5%	50V
C9531	1-126-394-11	ELECT CHIP	10µF	20%	16V	C9826	1-162-919-11	CERAMIC CHIP	22pF	5%	50V
C9532	1-126-394-11	ELECT CHIP	10µF	20%	16V	C9828	1-126-394-11	ELECT CHIP	10µF	20%	16V
C9533	1-100-566-91	CERAMIC CHIP	0.1µF	10%	25V	C9830	1-100-566-91	CERAMIC CHIP	0.1µF	10%	25V
C9534	1-100-566-91	CERAMIC CHIP	0.1µF	10%	25V	C9831	1-126-394-11	ELECT CHIP	10µF	20%	16V
C9535	1-100-566-91	CERAMIC CHIP	0.1µF	10%	25V	C9832	1-107-826-11	CERAMIC CHIP	0.1µF	10%	16V
C9537	1-107-826-11	CERAMIC CHIP	0.1µF	10%	16V	C9833	1-100-566-91	CERAMIC CHIP	0.1µF	10%	25V
C9538	1-162-964-11	CERAMIC CHIP	0.001µF	10%	50V	C9835	1-100-588-21	ELECT CHIP	1000µF	20%	6.3V
C9540	1-100-566-91	CERAMIC CHIP	0.1µF	10%	25V	C9836	1-126-394-11	ELECT CHIP	10µF	20%	16V
C9541	1-107-826-11	CERAMIC CHIP	0.1µF	10%	16V	C9839	1-126-394-11	ELECT CHIP	10µF	20%	16V
C9542	1-126-394-11	ELECT CHIP	10µF	20%	16V	C9841	1-100-118-21	ELECT CHIP	82µF	20%	16V
C9543	1-162-966-11	CERAMIC CHIP	0.0022µF	10%	50V	C9842	1-137-897-21	ELECT CHIP	150µF	20%	4V
C9545	1-162-966-11	CERAMIC CHIP	0.0022µF	10%	50V	C9843	1-107-826-11	CERAMIC CHIP	0.1µF	10%	16V
C9546	1-164-230-11	CERAMIC CHIP	220pF	5%	50V						
C9547	1-107-826-11	CERAMIC CHIP	0.1µF	10%	16V						
C9549	1-100-566-91	CERAMIC CHIP	0.1µF	10%	25V						
C9550	1-100-566-91	CERAMIC CHIP	0.1µF	10%	25V						
C9551	1-100-566-91	CERAMIC CHIP	0.1µF	10%	25V						
C9552	1-126-246-11	ELECT CHIP	220µF	20%	4V						
C9553	1-162-966-11	CERAMIC CHIP	0.0022µF	10%	50V						
C9554	1-126-394-11	ELECT CHIP	10µF	20%	16V						
C9555	1-126-394-11	ELECT CHIP	10µF	20%	16V						
C9557	1-100-566-91	CERAMIC CHIP	0.1µF	10%	25V						
C9558	1-107-826-11	CERAMIC CHIP	0.1µF	10%	16V						
C9559	1-126-394-11	ELECT CHIP	10µF	20%	16V						
C9560	1-126-246-11	ELECT CHIP	220µF	20%	4V						
								CONNECTOR			
						* CN9500	1-818-400-11	HDMI CONNECTOR			
						CN9504	1-564-593-11	PLUG, CONNECTOR	14P		
								DIODE			
						D9500	8-719-210-39	DIODE		EC10QS-04	
						D9501	6-500-294-01	DIODE		PTZ-TE25-3.9B	
						D9502	8-719-977-28	DIODE		DTZ10B	
						D9503	8-719-977-28	DIODE		DTZ10B	
						D9506	8-719-404-50	DIODE		MA111-TX	
						D9507	8-719-404-50	DIODE		MA111-TX	



REF. NO.	PART NO.	DESCRIPTION	VALUES	REF. NO.	PART NO.	DESCRIPTION	VALUES
<u>FERRITE BEAD</u>				<u>TRANSISTOR</u>			
FB9504	1-414-235-22	FERRITE	0μH	Q9501	8-729-024-88	TRANSISTOR	MUN2212T1
FB9505	1-414-235-22	FERRITE	0μH	Q9502	8-729-421-22	TRANSISTOR	UN2211
FB9506	1-414-235-22	FERRITE	0μH	Q9503	8-729-027-62	TRANSISTOR	DTC144WKA-T146
FB9507	1-414-235-22	FERRITE	0μH	Q9506	8-729-024-88	TRANSISTOR	MUN2212T1
FB9508	1-414-235-22	FERRITE	0μH	Q9511	8-729-421-22	TRANSISTOR	UN2211
FB9509	1-414-235-22	FERRITE	0μH	Q9514	8-729-027-62	TRANSISTOR	DTC144WKA-T146
FB9510	1-414-235-22	FERRITE	0μH	Q9516	8-729-421-22	TRANSISTOR	UN2211
FB9512	1-414-235-22	FERRITE	0μH	Q9517	8-729-421-22	TRANSISTOR	UN2211
<u>FILTER</u>				<u>RESISTOR</u>			
* FL9501	1-813-308-11	INDUCTOR	0μH	R9501	1-218-665-11	METAL CHIP	75 0.50% 1/10W
* FL9504	1-813-308-11	INDUCTOR	0μH	R9502	1-218-665-11	METAL CHIP	75 0.50% 1/10W
* FL9505	1-813-308-11	INDUCTOR	0μH	R9505	1-216-841-11	METAL CHIP	47K 5% 1/10W
* FL9506	1-813-308-11	INDUCTOR	0μH	R9507	1-216-857-11	METAL CHIP	1M 5% 1/10W
<u>IC</u>				R9508	1-216-857-11	METAL CHIP	1M 5% 1/10W
IC9500	6-706-257-01	IC	FMS6418AM16X	R9509	1-216-857-11	METAL CHIP	1M 5% 1/10W
IC9502	6-704-819-01	IC	CS4335-KSZR	R9510	1-218-665-11	METAL CHIP	75 0.50% 1/10W
IC9503	6-704-407-01	IC	PQ1CZ41H2ZPH	R9511	1-216-803-11	METAL CHIP	33 5% 1/10W
IC9504	6-704-001-01	IC	BR24L02F-WE2	R9512	1-218-665-11	METAL CHIP	75 0.50% 1/10W
IC9505	6-704-499-01	IC	SII9993CTG100	R9513	1-218-665-11	METAL CHIP	75 0.50% 1/10W
IC9506	6-703-042-01	IC	CD4052BNSR	R9514	1-218-665-11	METAL CHIP	75 0.50% 1/10W
IC9509	6-550-014-01	TRANSISTOR	SSM6N15FU(TE85R)	R9515	1-218-665-11	METAL CHIP	75 0.50% 1/10W
IC9514	8-759-331-71	IC	NJM4558E(TE2)	R9516	1-218-665-11	METAL CHIP	75 0.50% 1/10W
IC9517	6-804-248-01	IC	HD64F3694FXV-DA4	R9517	1-218-665-11	METAL CHIP	75 0.50% 1/10W
IC9521	8-759-642-22	IC	UPC29M05T-E2	R9518	1-216-857-11	METAL CHIP	1M 5% 1/10W
<u>JACK</u>				R9519	1-216-803-11	METAL CHIP	33 5% 1/10W
J9503	1-794-623-11	JACK, PIN	2P	R9520	1-216-816-11	METAL CHIP	390 5% 1/10W
<u>COIL</u>				R9526	1-218-716-11	METAL CHIP	10K 0.50% 1/10W
L9501	1-416-948-21	INDUCTOR	10μH	R9528	1-216-837-11	METAL CHIP	22K 5% 1/10W
L9502	1-400-303-21	INDUCTOR	68μH	R9529	1-216-850-11	METAL CHIP	270K 5% 1/10W
<u>IC LINK</u>				R9530	1-216-821-11	METAL CHIP	1K 5% 1/10W
PS9500	1-576-415-21	FUSE	2A 32V	R9531	1-216-829-11	METAL CHIP	4.7K 5% 1/10W
				R9532	1-218-694-11	METAL CHIP	1.2K 0.50% 1/10W
				R9533	1-216-825-11	METAL CHIP	2.2K 5% 1/10W
				R9534	1-218-686-11	METAL CHIP	560 0.50% 1/10W
				R9535	1-216-845-11	METAL CHIP	100K 5% 1/10W
				R9538	1-218-823-11	METAL CHIP	100 0.50% 1/10W
				R9539	1-216-821-11	METAL CHIP	1K 5% 1/10W
				R9540	1-216-829-11	METAL CHIP	4.7K 5% 1/10W
				R9541	1-218-694-11	METAL CHIP	1.2K 0.50% 1/10W



REF. NO.	PART NO.	DESCRIPTION	VALUES			REF. NO.	PART NO.	DESCRIPTION	VALUES		
R9542	1-216-850-11	METAL CHIP	270K	5%	1/10W	R9850	1-216-833-11	METAL CHIP	10K	5%	1/10W
R9543	1-218-686-11	METAL CHIP	560	0.50%	1/10W	R9851	1-216-821-11	METAL CHIP	1K	5%	1/10W
R9544	1-218-706-11	METAL CHIP	3.9K	0.50%	1/10W	R9852	1-218-644-11	METAL CHIP	10	0.50%	1/10W
R9546	1-218-706-11	METAL CHIP	3.9K	0.50%	1/10W	R9853	1-216-845-11	METAL CHIP	100K	5%	1/10W
R9547	1-216-845-11	METAL CHIP	100K	5%	1/10W	R9854	1-216-845-11	METAL CHIP	100K	5%	1/10W
R9548	1-218-716-11	METAL CHIP	10K	0.50%	1/10W	R9860	1-218-706-11	METAL CHIP	3.9K	0.50%	1/10W
R9552	1-216-817-11	METAL CHIP	470	5%	1/10W	R9864	1-218-701-11	METAL CHIP	2.4K	0.50%	1/10W
R9555	1-218-706-11	METAL CHIP	3.9K	0.50%	1/10W	R9866	1-216-821-11	METAL CHIP	1K	5%	1/10W
R9556	1-216-829-11	METAL CHIP	4.7K	5%	1/10W	R9867	1-216-821-11	METAL CHIP	1K	5%	1/10W
R9557	1-218-706-11	METAL CHIP	3.9K	0.50%	1/10W	R9868	1-216-833-11	METAL CHIP	10K	5%	1/10W
R9558	1-216-829-11	METAL CHIP	4.7K	5%	1/10W	R9869	1-216-833-11	METAL CHIP	10K	5%	1/10W
R9559	1-216-809-11	METAL CHIP	100	5%	1/10W	R9882	1-218-665-11	METAL CHIP	75	0.50%	1/10W
R9560	1-216-864-11	SHORT CHIP				R9884	1-218-665-11	METAL CHIP	75	0.50%	1/10W
R9562	1-216-809-11	METAL CHIP	100	5%	1/10W	R9885	1-218-665-11	METAL CHIP	75	0.50%	1/10W
R9563	1-218-706-11	METAL CHIP	3.9K	0.50%	1/10W	R9886	1-218-665-11	METAL CHIP	75	0.50%	1/10W
R9564	1-216-837-11	METAL CHIP	22K	5%	1/10W	R9887	1-218-665-11	METAL CHIP	75	0.50%	1/10W
R9565	1-216-845-11	METAL CHIP	100K	5%	1/10W	R9888	1-218-847-11	METAL CHIP	1K	0.50%	1/10W
R9566	1-216-864-11	SHORT CHIP				R9890	1-218-665-11	METAL CHIP	75	0.50%	1/10W
R9569	1-216-845-11	METAL CHIP	100K	5%	1/10W	R9891	1-216-809-11	METAL CHIP	100	5%	1/10W
R9572	1-216-837-11	METAL CHIP	22K	5%	1/10W						
R9574	1-216-809-11	METAL CHIP	100	5%	1/10W						
R9575	1-216-809-11	METAL CHIP	100	5%	1/10W						
R9576	1-216-857-11	METAL CHIP	1M	5%	1/10W						
R9577	1-216-857-11	METAL CHIP	1M	5%	1/10W						
R9580	1-216-809-11	METAL CHIP	100	5%	1/10W						
R9581	1-216-809-11	METAL CHIP	100	5%	1/10W						
R9582	1-216-833-11	METAL CHIP	10K	5%	1/10W						
R9584	1-216-833-11	METAL CHIP	10K	5%	1/10W						
R9585	1-216-809-11	METAL CHIP	100	5%	1/10W						
R9586	1-216-809-11	METAL CHIP	100	5%	1/10W						
R9592	1-216-809-11	METAL CHIP	100	5%	1/10W						
R9595	1-216-817-11	METAL CHIP	470	5%	1/10W						
R9597	1-216-803-11	METAL CHIP	33	5%	1/10W						
R9602	1-216-809-11	METAL CHIP	100	5%	1/10W						
R9606	1-216-864-11	SHORT CHIP									
R9612	1-216-864-11	SHORT CHIP									
R9614	1-216-809-11	METAL CHIP	100	5%	1/10W						
R9615	1-216-809-11	METAL CHIP	100	5%	1/10W						
R9616	1-216-809-11	METAL CHIP	100	5%	1/10W						
R9623	1-216-845-11	METAL CHIP	100K	5%	1/10W						
R9624	1-216-845-11	METAL CHIP	100K	5%	1/10W						
R9625	1-216-845-11	METAL CHIP	100K	5%	1/10W						
R9626	1-216-833-11	METAL CHIP	10K	5%	1/10W						
R9627	1-216-809-11	METAL CHIP	100	5%	1/10W						

RESISTOR BRIDGE

RB9500	1-234-524-21	RES, CHIP NETWORK	33	(3216)
RB9510	1-233-576-11	RES, CHIP NETWORK	100	(3216)
RB9511	1-233-574-11	RES, CHIP NETWORK	10	(3216)
RB9512	1-233-574-11	RES, CHIP NETWORK	10	(3216)
RB9516	1-236-908-11	NETWORK RESISTOR(CHIP)		10K
RB9517	1-236-908-11	NETWORK RESISTOR(CHIP)		10K

VARISTOR

VD9500	6-500-701-01	DIODE		PGB0010603NR
VD9501	6-500-701-01	DIODE		PGB0010603NR
VD9502	6-500-701-01	DIODE		PGB0010603NR
VD9503	6-500-701-01	DIODE		PGB0010603NR
VD9504	6-500-701-01	DIODE		PGB0010603NR
VD9505	6-500-701-01	DIODE		PGB0010603NR
VD9506	6-500-701-01	DIODE		PGB0010603NR
VD9507	6-500-701-01	DIODE		PGB0010603NR
VD9518	6-500-701-01	DIODE		PGB0010603NR
VD9519	6-500-701-01	DIODE		PGB0010603NR



REF. NO.	PART NO.	DESCRIPTION	VALUES			REF. NO.	PART NO.	DESCRIPTION	VALUES		
CRYSTAL						C3034	1-125-777-11	CERAMIC CHIP	0.1μF	10%	10V
X9501	1-767-984-21	VIBRATOR, CRYSTAL				C3035	1-125-777-11	CERAMIC CHIP	0.1μF	10%	10V
B						C3036	1-125-777-11	CERAMIC CHIP	0.1μF	10%	10V
*	A-1060-168-E	B BOARD, COMPLETE				C3037	1-125-777-11	CERAMIC CHIP	0.1μF	10%	10V
	7-682-947-01	SCREW +PSW	3X6			C3038	1-125-777-11	CERAMIC CHIP	0.1μF	10%	10V
CAPACITOR						C3041	1-164-943-11	CERAMIC CHIP	0.01μF	10%	16V
C3001	1-126-206-11	ELECT CHIP	100μF	20%	6.3V	C3042	1-126-206-11	ELECT CHIP	100μF	20%	6.3V
C3002	1-126-206-11	ELECT CHIP	100μF	20%	6.3V	C3043	1-164-943-11	CERAMIC CHIP	0.01μF	10%	16V
C3003	1-164-943-11	CERAMIC CHIP	0.01μF	10%	16V	C3044	1-128-993-21	ELECT CHIP	22μF	20%	10V
C3004	1-164-943-11	CERAMIC CHIP	0.01μF	10%	16V	C3045	1-126-206-11	ELECT CHIP	100μF	20%	6.3V
C3005	1-164-943-11	CERAMIC CHIP	0.01μF	10%	16V	C3046	1-164-943-11	CERAMIC CHIP	0.01μF	10%	16V
C3006	1-164-943-11	CERAMIC CHIP	0.01μF	10%	16V	C3047	1-164-943-11	CERAMIC CHIP	0.01μF	10%	16V
C3007	1-164-943-11	CERAMIC CHIP	0.01μF	10%	16V	C3048	1-164-943-11	CERAMIC CHIP	0.01μF	10%	16V
C3008	1-164-943-11	CERAMIC CHIP	0.01μF	10%	16V	C3049	1-164-943-11	CERAMIC CHIP	0.01μF	10%	16V
C3009	1-164-943-11	CERAMIC CHIP	0.01μF	10%	16V	C3050	1-164-943-11	CERAMIC CHIP	0.01μF	10%	16V
C3010	1-164-943-11	CERAMIC CHIP	0.01μF	10%	16V	C3054	1-164-943-11	CERAMIC CHIP	0.01μF	10%	16V
C3011	1-164-943-11	CERAMIC CHIP	0.01μF	10%	16V	C3055	1-164-943-11	CERAMIC CHIP	0.01μF	10%	16V
C3012	1-164-943-11	CERAMIC CHIP	0.01μF	10%	16V	C3056	1-164-943-11	CERAMIC CHIP	0.01μF	10%	16V
C3013	1-164-943-11	CERAMIC CHIP	0.01μF	10%	16V	C3058	1-137-710-11	CERAMIC CHIP	10μF	20%	6.3V
C3014	1-165-908-11	CERAMIC CHIP	1μF	10%	10V	C3059	1-126-205-11	ELECT CHIP	47μF	20%	6.3V
C3015	1-125-777-11	CERAMIC CHIP	0.1μF	10%	10V	C3061	1-125-777-11	CERAMIC CHIP	0.1μF	10%	10V
C3016	1-137-710-11	CERAMIC CHIP	10μF	20%	6.3V	C3062	1-128-993-21	ELECT CHIP	22μF	20%	10V
C3017	1-165-908-11	CERAMIC CHIP	1μF	10%	10V	C3064	1-128-993-21	ELECT CHIP	22μF	20%	10V
C3018	1-125-777-11	CERAMIC CHIP	0.1μF	10%	10V	C3065	1-128-993-21	ELECT CHIP	22μF	20%	10V
C3019	1-125-777-11	CERAMIC CHIP	0.1μF	10%	10V	C3066	1-126-206-11	ELECT CHIP	100μF	20%	6.3V
C3020	1-125-777-11	CERAMIC CHIP	0.1μF	10%	10V	C3070	1-164-943-11	CERAMIC CHIP	0.01μF	10%	16V
C3021	1-164-943-11	CERAMIC CHIP	0.01μF	10%	16V	C3071	1-164-943-11	CERAMIC CHIP	0.01μF	10%	16V
C3022	1-125-777-11	CERAMIC CHIP	0.1μF	10%	10V	C3072	1-165-908-11	CERAMIC CHIP	1μF	10%	10V
C3023	1-126-206-11	ELECT CHIP	100μF	20%	6.3V	C3073	1-165-908-11	CERAMIC CHIP	1μF	10%	10V
C3024	1-125-777-11	CERAMIC CHIP	0.1μF	10%	10V	C3074	1-165-908-11	CERAMIC CHIP	1μF	10%	10V
C3025	1-125-777-11	CERAMIC CHIP	0.1μF	10%	10V	C3075	1-165-908-11	CERAMIC CHIP	1μF	10%	10V
C3026	1-125-777-11	CERAMIC CHIP	0.1μF	10%	10V	C3076	1-165-908-11	CERAMIC CHIP	1μF	10%	10V
C3027	1-126-206-11	ELECT CHIP	100μF	20%	6.3V	C3077	1-165-908-11	CERAMIC CHIP	1μF	10%	10V
C3028	1-125-777-11	CERAMIC CHIP	0.1μF	10%	10V	C3078	1-165-908-11	CERAMIC CHIP	1μF	10%	10V
C3029	1-125-777-11	CERAMIC CHIP	0.1μF	10%	10V	C3079	1-124-779-00	ELECT CHIP	10μF	20%	16V
C3030	1-165-908-11	CERAMIC CHIP	1μF	10%	10V	C3080	1-124-779-00	ELECT CHIP	10μF	20%	16V
C3031	1-126-206-11	ELECT CHIP	100μF	20%	6.3V	C3081	1-124-779-00	ELECT CHIP	10μF	20%	16V
C3032	1-164-943-11	CERAMIC CHIP	0.01μF	10%	16V	C3082	1-124-779-00	ELECT CHIP	10μF	20%	16V
C3033	1-137-710-11	CERAMIC CHIP	10μF	20%	6.3V	C3083	1-124-779-00	ELECT CHIP	10μF	20%	16V
						C3084	1-124-779-00	ELECT CHIP	10μF	20%	16V
						C3085	1-125-777-11	CERAMIC CHIP	0.1μF	10%	10V
						C3086	1-125-777-11	CERAMIC CHIP	0.1μF	10%	10V



REF. NO.	PART NO.	DESCRIPTION	VALUES			REF. NO.	PART NO.	DESCRIPTION	VALUES		
C3087	1-125-777-11	CERAMIC CHIP	0.1µF	10%	10V	C3229	1-164-943-11	CERAMIC CHIP	0.01µF	10%	16V
C3088	1-125-777-11	CERAMIC CHIP	0.1µF	10%	10V	C3231	1-164-943-11	CERAMIC CHIP	0.01µF	10%	16V
C3089	1-125-777-11	CERAMIC CHIP	0.1µF	10%	10V	C3232	1-164-943-11	CERAMIC CHIP	0.01µF	10%	16V
C3090	1-125-777-11	CERAMIC CHIP	0.1µF	10%	10V	C3233	1-164-943-11	CERAMIC CHIP	0.01µF	10%	16V
C3091	1-126-206-11	ELECT CHIP	100µF	20%	6.3V	C3235	1-164-943-11	CERAMIC CHIP	0.01µF	10%	16V
C3092	1-126-206-11	ELECT CHIP	100µF	20%	6.3V	C3236	1-164-943-11	CERAMIC CHIP	0.01µF	10%	16V
C3093	1-125-777-11	CERAMIC CHIP	0.1µF	10%	10V	C3237	1-126-204-11	ELECT CHIP	47µF	20%	16V
C3096	1-126-206-11	ELECT CHIP	100µF	20%	6.3V	C3238	1-164-943-11	CERAMIC CHIP	0.01µF	10%	16V
C3098	1-126-206-11	ELECT CHIP	100µF	20%	6.3V	C3239	1-126-204-11	ELECT CHIP	47µF	20%	16V
C3100	1-126-206-11	ELECT CHIP	100µF	20%	6.3V	C3240	1-125-777-11	CERAMIC CHIP	0.1µF	10%	10V
C3102	1-126-206-11	ELECT CHIP	100µF	20%	6.3V	C3241	1-164-943-11	CERAMIC CHIP	0.01µF	10%	16V
C3104	1-125-777-11	CERAMIC CHIP	0.1µF	10%	10V	C3242	1-164-943-11	CERAMIC CHIP	0.01µF	10%	16V
C3105	1-126-206-11	ELECT CHIP	100µF	20%	6.3V	C3243	1-164-943-11	CERAMIC CHIP	0.01µF	10%	16V
C3106	1-125-777-11	CERAMIC CHIP	0.1µF	10%	10V	C3244	1-164-943-11	CERAMIC CHIP	0.01µF	10%	16V
C3107	1-165-908-11	CERAMIC CHIP	1µF	10%	10V	C3245	1-164-943-11	CERAMIC CHIP	0.01µF	10%	16V
C3109	1-164-943-11	CERAMIC CHIP	0.01µF	10%	16V	C3246	1-164-943-11	CERAMIC CHIP	0.01µF	10%	16V
C3110	1-165-908-11	CERAMIC CHIP	1µF	10%	10V	C3251	1-164-943-11	CERAMIC CHIP	0.01µF	10%	16V
C3114	1-125-777-11	CERAMIC CHIP	0.1µF	10%	10V	C3252	1-126-603-11	ELECT CHIP	4.7µF	20%	35V
C3116	1-137-710-11	CERAMIC CHIP	10µF	20%	6.3V	C3253	1-125-777-11	CERAMIC CHIP	0.1µF	10%	10V
C3117	1-107-826-11	CERAMIC CHIP	0.1µF	10%	16V	C3256	1-164-943-11	CERAMIC CHIP	0.01µF	10%	16V
C3118	1-117-681-11	ELECT CHIP	100µF	20%	16V	C3301	1-164-943-11	CERAMIC CHIP	0.01µF	10%	16V
C3201	1-164-943-11	CERAMIC CHIP	0.01µF	10%	16V	C3302	1-125-777-11	CERAMIC CHIP	0.1µF	10%	10V
C3202	1-164-943-11	CERAMIC CHIP	0.01µF	10%	16V	C3303	1-125-777-11	CERAMIC CHIP	0.1µF	10%	10V
C3203	1-126-206-11	ELECT CHIP	100µF	20%	6.3V	C3304	1-125-777-11	CERAMIC CHIP	0.1µF	10%	10V
C3204	1-164-943-11	CERAMIC CHIP	0.01µF	10%	16V	C3305	1-125-777-11	CERAMIC CHIP	0.1µF	10%	10V
C3205	1-164-943-11	CERAMIC CHIP	0.01µF	10%	16V	C3306	1-164-943-11	CERAMIC CHIP	0.01µF	10%	16V
C3206	1-126-204-11	ELECT CHIP	47µF	20%	16V	C3307	1-126-205-11	ELECT CHIP	47µF	20%	6.3V
C3207	1-164-943-11	CERAMIC CHIP	0.01µF	10%	16V	C3308	1-126-603-11	ELECT CHIP	4.7µF	20%	35V
C3208	1-164-943-11	CERAMIC CHIP	0.01µF	10%	16V	C3309	1-125-777-11	CERAMIC CHIP	0.1µF	10%	10V
C3210	1-164-943-11	CERAMIC CHIP	0.01µF	10%	16V	C3310	1-125-777-11	CERAMIC CHIP	0.1µF	10%	10V
C3211	1-164-943-11	CERAMIC CHIP	0.01µF	10%	16V	C3311	1-125-777-11	CERAMIC CHIP	0.1µF	10%	10V
C3212	1-164-943-11	CERAMIC CHIP	0.01µF	10%	16V	C3312	1-163-021-91	CERAMIC CHIP	0.01µF	10%	50V
C3213	1-164-943-11	CERAMIC CHIP	0.01µF	10%	16V	C3313	1-125-777-11	CERAMIC CHIP	0.1µF	10%	10V
C3214	1-164-943-11	CERAMIC CHIP	0.01µF	10%	16V	C3314	1-126-206-11	ELECT CHIP	100µF	20%	6.3V
C3215	1-164-943-11	CERAMIC CHIP	0.01µF	10%	16V	C3315	1-125-777-11	CERAMIC CHIP	0.1µF	10%	10V
C3216	1-164-943-11	CERAMIC CHIP	0.01µF	10%	16V	C3316	1-164-943-11	CERAMIC CHIP	0.01µF	10%	16V
C3217	1-126-206-11	ELECT CHIP	100µF	20%	6.3V	C3317	1-125-777-11	CERAMIC CHIP	0.1µF	10%	10V
C3218	1-164-943-11	CERAMIC CHIP	0.01µF	10%	16V	C3318	1-126-205-11	ELECT CHIP	47µF	20%	6.3V
C3219	1-164-943-11	CERAMIC CHIP	0.01µF	10%	16V	C3319	1-124-779-00	ELECT CHIP	10µF	20%	16V
C3222	1-164-943-11	CERAMIC CHIP	0.01µF	10%	16V	C3320	1-128-993-21	ELECT CHIP	22µF	20%	10V
C3224	1-164-943-11	CERAMIC CHIP	0.01µF	10%	16V	C3321	1-126-204-11	ELECT CHIP	47µF	20%	16V
C3225	1-164-943-11	CERAMIC CHIP	0.01µF	10%	16V	C3322	1-126-205-11	ELECT CHIP	47µF	20%	6.3V
C3227	1-164-943-11	CERAMIC CHIP	0.01µF	10%	16V						



REF. NO.	PART NO.	DESCRIPTION	VALUES			REF. NO.	PART NO.	DESCRIPTION	VALUES		
C3323	1-126-205-11	ELECT CHIP	47μF	20%	6.3V	C3368	1-164-943-11	CERAMIC CHIP	0.01μF	10%	16V
C3325	1-126-246-11	ELECT CHIP	220μF	20%	4V	C3369	1-164-943-11	CERAMIC CHIP	0.01μF	10%	16V
C3326	1-126-205-11	ELECT CHIP	47μF	20%	6.3V	C3370	1-125-777-11	CERAMIC CHIP	0.1μF	10%	10V
C3327	1-125-777-11	CERAMIC CHIP	0.1μF	10%	10V	C3371	1-125-777-11	CERAMIC CHIP	0.1μF	10%	10V
C3328	1-125-777-11	CERAMIC CHIP	0.1μF	10%	10V	C3372	1-164-943-11	CERAMIC CHIP	0.01μF	10%	16V
C3329	1-165-643-21	ELECT CHIP	150μF	20%	4V	C3373	1-164-943-11	CERAMIC CHIP	0.01μF	10%	16V
C3330	1-125-777-11	CERAMIC CHIP	0.1μF	10%	10V	C3374	1-164-943-11	CERAMIC CHIP	0.01μF	10%	16V
C3331	1-125-777-11	CERAMIC CHIP	0.1μF	10%	10V	C3375	1-164-943-11	CERAMIC CHIP	0.01μF	10%	16V
C3332	1-125-777-11	CERAMIC CHIP	0.1μF	10%	10V	C3376	1-164-943-11	CERAMIC CHIP	0.01μF	10%	16V
C3333	1-125-777-11	CERAMIC CHIP	0.1μF	10%	10V	C3377	1-164-943-11	CERAMIC CHIP	0.01μF	10%	16V
C3334	1-125-777-11	CERAMIC CHIP	0.1μF	10%	10V	C3378	1-164-943-11	CERAMIC CHIP	0.01μF	10%	16V
C3335	1-125-777-11	CERAMIC CHIP	0.1μF	10%	10V	C3379	1-164-943-11	CERAMIC CHIP	0.01μF	10%	16V
C3336	1-164-943-11	CERAMIC CHIP	0.01μF	10%	16V	C3380	1-164-943-11	CERAMIC CHIP	0.01μF	10%	16V
C3337	1-164-943-11	CERAMIC CHIP	0.01μF	10%	16V	C3381	1-164-943-11	CERAMIC CHIP	0.01μF	10%	16V
C3338	1-164-943-11	CERAMIC CHIP	0.01μF	10%	16V	C3382	1-164-943-11	CERAMIC CHIP	0.01μF	10%	16V
C3339	1-125-777-11	CERAMIC CHIP	0.1μF	10%	10V	C3383	1-164-943-11	CERAMIC CHIP	0.01μF	10%	16V
C3340	1-124-779-00	ELECT CHIP	10μF	20%	16V	C3384	1-164-943-11	CERAMIC CHIP	0.01μF	10%	16V
C3341	1-125-777-11	CERAMIC CHIP	0.1μF	10%	10V	C3385	1-164-943-11	CERAMIC CHIP	0.01μF	10%	16V
C3342	1-125-777-11	CERAMIC CHIP	0.1μF	10%	10V	C3386	1-164-943-11	CERAMIC CHIP	0.01μF	10%	16V
C3343	1-125-777-11	CERAMIC CHIP	0.1μF	10%	10V	C3387	1-164-943-11	CERAMIC CHIP	0.01μF	10%	16V
C3344	1-164-943-11	CERAMIC CHIP	0.01μF	10%	16V	C3388	1-164-943-11	CERAMIC CHIP	0.01μF	10%	16V
C3345	1-125-777-11	CERAMIC CHIP	0.1μF	10%	10V	C3389	1-164-943-11	CERAMIC CHIP	0.01μF	10%	16V
C3346	1-125-777-11	CERAMIC CHIP	0.1μF	10%	10V	C3390	1-164-943-11	CERAMIC CHIP	0.01μF	10%	16V
C3347	1-164-943-11	CERAMIC CHIP	0.01μF	10%	16V	C3391	1-164-943-11	CERAMIC CHIP	0.01μF	10%	16V
C3348	1-164-943-11	CERAMIC CHIP	0.01μF	10%	16V	C3392	1-164-943-11	CERAMIC CHIP	0.01μF	10%	16V
C3349	1-125-777-11	CERAMIC CHIP	0.1μF	10%	10V	C3393	1-164-943-11	CERAMIC CHIP	0.01μF	10%	16V
C3350	1-125-777-11	CERAMIC CHIP	0.1μF	10%	10V	C3394	1-164-943-11	CERAMIC CHIP	0.01μF	10%	16V
C3351	1-164-854-11	CERAMIC CHIP	15pF	5%	50V	C3395	1-164-943-11	CERAMIC CHIP	0.01μF	10%	16V
C3352	1-125-777-11	CERAMIC CHIP	0.1μF	10%	10V	C3396	1-164-943-11	CERAMIC CHIP	0.01μF	10%	16V
C3353	1-124-779-00	ELECT CHIP	10μF	20%	16V	C3397	1-164-943-11	CERAMIC CHIP	0.01μF	10%	16V
C3354	1-164-854-11	CERAMIC CHIP	15pF	5%	50V	C3398	1-164-943-11	CERAMIC CHIP	0.01μF	10%	16V
C3355	1-125-777-11	CERAMIC CHIP	0.1μF	10%	10V	C3399	1-164-943-11	CERAMIC CHIP	0.01μF	10%	16V
C3356	1-124-779-00	ELECT CHIP	10μF	20%	16V	C3400	1-164-943-11	CERAMIC CHIP	0.01μF	10%	16V
C3357	1-125-777-11	CERAMIC CHIP	0.1μF	10%	10V	C3401	1-164-943-11	CERAMIC CHIP	0.01μF	10%	16V
C3359	1-164-943-11	CERAMIC CHIP	0.01μF	10%	16V	C3402	1-164-943-11	CERAMIC CHIP	0.01μF	10%	16V
C3360	1-124-779-00	ELECT CHIP	10μF	20%	16V	C3403	1-164-943-11	CERAMIC CHIP	0.01μF	10%	16V
C3361	1-164-937-11	CERAMIC CHIP	0.001μF	10%	50V	C3404	1-164-943-11	CERAMIC CHIP	0.01μF	10%	16V
C3362	1-164-937-11	CERAMIC CHIP	0.001μF	10%	50V	C3405	1-164-943-11	CERAMIC CHIP	0.01μF	10%	16V
C3364	1-164-943-11	CERAMIC CHIP	0.01μF	10%	16V	C3406	1-164-943-11	CERAMIC CHIP	0.01μF	10%	16V
C3365	1-125-777-11	CERAMIC CHIP	0.1μF	10%	10V	C3407	1-164-943-11	CERAMIC CHIP	0.01μF	10%	16V
C3366	1-164-943-11	CERAMIC CHIP	0.01μF	10%	16V	C3408	1-164-943-11	CERAMIC CHIP	0.01μF	10%	16V
C3367	1-164-943-11	CERAMIC CHIP	0.01μF	10%	16V	C3409	1-128-993-21	ELECT CHIP	22μF	20%	10V
						C3410	1-128-993-21	ELECT CHIP	22μF	20%	10V



REF. NO.	PART NO.	DESCRIPTION	VALUES			REF. NO.	PART NO.	DESCRIPTION	VALUES		
C3416	1-126-206-11	ELECT CHIP	100μF	20%	6.3V	C3538	1-164-937-11	CERAMIC CHIP	0.001μF	10%	50V
C3417	1-125-777-11	CERAMIC CHIP	0.1μF	10%	10V	C3539	1-137-710-11	CERAMIC CHIP	10μF	20%	6.3V
C3418	1-104-601-11	ELECT CHIP	10μF	20%	10V	C3540	1-125-777-11	CERAMIC CHIP	0.1μF	10%	10V
C3419	1-104-601-11	ELECT CHIP	10μF	20%	10V	C3541	1-164-937-11	CERAMIC CHIP	0.001μF	10%	50V
C3420	1-104-601-11	ELECT CHIP	10μF	20%	10V	C3542	1-164-943-11	CERAMIC CHIP	0.01μF	10%	16V
C3422	1-128-993-21	ELECT CHIP	22μF	20%	10V	C3543	1-125-777-11	CERAMIC CHIP	0.1μF	10%	10V
C3423	1-164-874-11	CERAMIC CHIP	100pF	5%	50V	C3544	1-125-777-11	CERAMIC CHIP	0.1μF	10%	10V
C3501	1-164-943-11	CERAMIC CHIP	0.01μF	10%	16V	C3545	1-164-937-11	CERAMIC CHIP	0.001μF	10%	50V
C3503	1-164-943-11	CERAMIC CHIP	0.01μF	10%	16V	C3546	1-125-777-11	CERAMIC CHIP	0.1μF	10%	10V
C3504	1-164-943-11	CERAMIC CHIP	0.01μF	10%	16V	C3547	1-125-777-11	CERAMIC CHIP	0.1μF	10%	10V
C3505	1-164-943-11	CERAMIC CHIP	0.01μF	10%	16V	C3548	1-164-943-11	CERAMIC CHIP	0.01μF	10%	16V
C3506	1-164-943-11	CERAMIC CHIP	0.01μF	10%	16V	C3549	1-125-777-11	CERAMIC CHIP	0.1μF	10%	10V
C3507	1-164-943-11	CERAMIC CHIP	0.01μF	10%	16V	C3550	1-137-710-11	CERAMIC CHIP	10μF	20%	6.3V
C3508	1-164-943-11	CERAMIC CHIP	0.01μF	10%	16V	C3551	1-164-937-11	CERAMIC CHIP	0.001μF	10%	50V
C3509	1-164-943-11	CERAMIC CHIP	0.01μF	10%	16V	C3552	1-164-943-11	CERAMIC CHIP	0.01μF	10%	16V
C3510	1-125-777-11	CERAMIC CHIP	0.1μF	10%	10V	C3553	1-125-777-11	CERAMIC CHIP	0.1μF	10%	10V
C3511	1-164-943-11	CERAMIC CHIP	0.01μF	10%	16V	C3554	1-164-937-11	CERAMIC CHIP	0.001μF	10%	50V
C3512	1-164-943-11	CERAMIC CHIP	0.01μF	10%	16V	C3555	1-164-943-11	CERAMIC CHIP	0.01μF	10%	16V
C3513	1-164-943-11	CERAMIC CHIP	0.01μF	10%	16V	C3556	1-125-777-11	CERAMIC CHIP	0.1μF	10%	10V
C3514	1-164-943-11	CERAMIC CHIP	0.01μF	10%	16V	C3557	1-137-710-11	CERAMIC CHIP	10μF	20%	6.3V
C3515	1-164-943-11	CERAMIC CHIP	0.01μF	10%	16V	C3558	1-137-710-11	CERAMIC CHIP	10μF	20%	6.3V
C3516	1-164-943-11	CERAMIC CHIP	0.01μF	10%	16V	C3559	1-137-710-11	CERAMIC CHIP	10μF	20%	6.3V
C3517	1-164-943-11	CERAMIC CHIP	0.01μF	10%	16V	C3560	1-125-777-11	CERAMIC CHIP	0.1μF	10%	10V
C3518	1-164-943-11	CERAMIC CHIP	0.01μF	10%	16V	C3561	1-164-943-11	CERAMIC CHIP	0.01μF	10%	16V
C3519	1-164-943-11	CERAMIC CHIP	0.01μF	10%	16V	C3562	1-164-937-11	CERAMIC CHIP	0.001μF	10%	50V
C3520	1-164-943-11	CERAMIC CHIP	0.01μF	10%	16V	C3602	1-125-777-11	CERAMIC CHIP	0.1μF	10%	10V
C3521	1-164-943-11	CERAMIC CHIP	0.01μF	10%	16V	C3603	1-164-943-11	CERAMIC CHIP	0.01μF	10%	16V
C3522	1-164-943-11	CERAMIC CHIP	0.01μF	10%	16V	C3604	1-128-993-21	ELECT CHIP	22μF	20%	10V
C3523	1-164-943-11	CERAMIC CHIP	0.01μF	10%	16V	C3605	1-125-777-11	CERAMIC CHIP	0.1μF	10%	10V
C3524	1-164-943-11	CERAMIC CHIP	0.01μF	10%	16V	C3606	1-128-993-21	ELECT CHIP	22μF	20%	10V
C3525	1-164-943-11	CERAMIC CHIP	0.01μF	10%	16V	C3607	1-164-943-11	CERAMIC CHIP	0.01μF	10%	16V
C3526	1-164-943-11	CERAMIC CHIP	0.01μF	10%	16V	C3608	1-125-777-11	CERAMIC CHIP	0.1μF	10%	10V
C3527	1-164-943-11	CERAMIC CHIP	0.01μF	10%	16V	C3609	1-164-943-11	CERAMIC CHIP	0.01μF	10%	16V
C3528	1-164-943-11	CERAMIC CHIP	0.01μF	10%	16V	C3610	1-125-777-11	CERAMIC CHIP	0.1μF	10%	10V
C3529	1-164-943-11	CERAMIC CHIP	0.01μF	10%	16V	C3611	1-128-993-21	ELECT CHIP	22μF	20%	10V
C3530	1-164-943-11	CERAMIC CHIP	0.01μF	10%	16V	C3612	1-125-777-11	CERAMIC CHIP	0.1μF	10%	10V
C3531	1-164-943-11	CERAMIC CHIP	0.01μF	10%	16V	C3613	1-128-993-21	ELECT CHIP	22μF	20%	10V
C3532	1-124-779-00	ELECT CHIP	10μF	20%	16V	C3614	1-128-993-21	ELECT CHIP	22μF	20%	10V
C3533	1-124-779-00	ELECT CHIP	10μF	20%	16V	C3615	1-164-943-11	CERAMIC CHIP	0.01μF	10%	16V
C3534	1-125-777-11	CERAMIC CHIP	0.1μF	10%	10V	C3616	1-164-943-11	CERAMIC CHIP	0.01μF	10%	16V
C3535	1-125-777-11	CERAMIC CHIP	0.1μF	10%	10V	C3617	1-128-993-21	ELECT CHIP	22μF	20%	10V
C3536	1-137-710-11	CERAMIC CHIP	10μF	20%	6.3V	C3618	1-125-777-11	CERAMIC CHIP	0.1μF	10%	10V
C3537	1-164-943-11	CERAMIC CHIP	0.01μF	10%	16V						



REF. NO.	PART NO.	DESCRIPTION	VALUES	REF. NO.	PART NO.	DESCRIPTION	VALUES
<u>DIODE</u>				FL3602	1-234-494-21	FILTER, EMI REMOVAL (SMD)	
D3205	8-719-050-38	DIODE	M1MA152WK-T1	FL3604	1-234-494-21	FILTER, EMI REMOVAL (SMD)	
D3206	8-719-050-37	DIODE	M1MA152WA-T1	FL3605	1-234-494-21	FILTER, EMI REMOVAL (SMD)	
D3301	8-719-083-58	DIODE	UDZSTE-173.9B	FL3606	1-234-494-21	FILTER, EMI REMOVAL (SMD)	
D3501	8-719-081-97	DIODE	MMDL914T1	<u>IC</u>			
D3502	8-719-081-97	DIODE	MMDL914T1	IC3001	8-753-209-17	IC	CXD3807GB
D3503	8-719-081-97	DIODE	MMDL914T1	IC3002	6-705-403-01	IC	PQ070XZ01ZPH
D3504	8-719-081-97	DIODE	MMDL914T1	IC3003	6-706-873-01	IC	MT48LC4M16A2P-75-Y14W-G
D3505	8-719-081-97	DIODE	MMDL914T1	IC3004	6-706-892-01	IC	SM5302AS-G-ET
D3506	8-719-081-97	DIODE	MMDL914T1	IC3005	6-706-892-01	IC	SM5302AS-G-ET
D3507	8-719-081-97	DIODE	MMDL914T1	IC3006	8-759-680-92	IC	MAX4018EEE-TG068
D3508	8-719-081-97	DIODE	MMDL914T1	IC3008	8-759-581-11	IC	NJM2125F(TE2)
D3509	8-719-081-97	DIODE	MMDL914T1	IC3201	8-752-422-52	IC	CXD2097BQ
D3510	8-719-081-97	DIODE	MMDL914T1	IC3202	6-705-992-11	IC	HY57V161610ETP-7DR
D3609	8-719-050-37	DIODE	M1MA152WA-T1	IC3204	8-759-669-78	IC	TLC2933IPWR-12
D3610	8-719-050-38	DIODE	M1MA152WK-T1	IC3301	8-759-669-75	IC	TLC2932IPWR
D3611	8-719-050-37	DIODE	M1MA152WA-T1	IC3302	6-706-487-01	IC	TC7SH08FU(T5RSOYJF)
D3612	8-719-050-38	DIODE	M1MA152WK-T1	IC3303	6-705-921-01	IC	TLV5734
D3613	8-719-081-97	DIODE	MMDL914T1	IC3304	6-704-992-01	IC	CXD9707DGP
D3801	8-719-081-97	DIODE	MMDL914T1	IC3305	6-707-044-01	IC	CYISM560BSXT
D3804	8-719-081-97	DIODE	MMDL914T1	IC3306	6-706-155-01	IC	MT48LC2M32B2P-6-Y14W
D3808	8-719-050-38	DIODE	M1MA152WK-T1	IC3307	6-706-155-01	IC	MT48LC2M32B2P-6-Y14W
D3809	8-719-050-37	DIODE	M1MA152WA-T1	IC3308	8-759-592-42	IC	TC7SZ00FU(TE85R)
<u>FERRITE BEAD</u>				IC3309	6-705-403-01	IC	PQ070XZ01ZPH
FB3203	1-469-110-21	FERRITE	0μH	IC3502	6-702-973-01	IC	CXD9690Q
FB3204	1-216-864-11	SHORT CHIP		IC3503	6-704-519-01	IC	THC63LVD103
FB3301	1-414-229-11	FERRITE	0μH	IC3504	6-704-632-01	IC	THC63LVD104A
FB3302	1-414-229-11	FERRITE	0μH	IC3602	6-704-879-01	IC	NJU7223DL1-25
<u>FILTER</u>				IC3603	8-759-695-94	IC	TAR5S33(TE85R)
FL3001	1-234-177-21	FERRITE	0μH	IC3604	8-753-228-50	IC	CXQ91F318-106R
FL3002	1-234-177-21	FERRITE	0μH	IC3605	6-801-402-01	IC	BD4729GTR
FL3003	1-234-177-21	FERRITE	0μH	IC3606	6-801-402-01	IC	BD4729GTR
FL3004	1-234-177-21	FERRITE	0μH	IC3607	6-702-688-01	IC	M24C64-WMN6T(B)
FL3005	1-234-560-21	FILTER, LOW PASS		IC3608	6-706-487-01	IC	TC7SH08FU(T5RSOYJF)
FL3006	1-234-560-21	FILTER, LOW PASS		IC3801	6-804-883-01	IC	M306V3FGFP-04GW2
FL3007	1-234-177-21	FERRITE	0μH	IC3802	8-759-488-29	IC	TC7W66FU(TE12R)
FL3200	1-234-177-21	FERRITE	0μH	IC3803	6-704-067-01	IC	M24128-BWMN6T(A)
FL3201	1-234-177-21	FERRITE	0μH	IC3804	8-759-677-29	IC	TC74LVX125FT(EL)
FL3601	1-234-494-21	FILTER, EMI REMOVAL (SMD)		IC3805	6-701-680-01	IC	PST3629NR
				IC3806	6-701-680-01	IC	PST3629NR
				IC3807	6-801-402-01	IC	BD4729GTR
				IC3808	6-702-767-01	IC	BD4745G-TR



REF. NO.	PART NO.	DESCRIPTION	VALUES	REF. NO.	PART NO.	DESCRIPTION	VALUES
COIL				L3507	1-469-555-21	INDUCTOR	10μH
L3001	1-469-549-21	INDUCTOR	1μH	L3508	1-469-555-21	INDUCTOR	10μH
L3004	1-469-549-21	INDUCTOR	1μH	L3601	1-469-555-21	INDUCTOR	10μH
L3005	1-469-549-21	INDUCTOR	1μH	L3602	1-469-555-21	INDUCTOR	10μH
L3006	1-469-549-21	INDUCTOR	1μH	L3603	1-469-555-21	INDUCTOR	10μH
L3007	1-469-549-21	INDUCTOR	1μH	L3604	1-469-555-21	INDUCTOR	10μH
L3008	1-469-549-21	INDUCTOR	1μH	L3605	1-469-555-21	INDUCTOR	10μH
L3009	1-469-549-21	INDUCTOR	1μH	L3606	1-469-555-21	INDUCTOR	10μH
L3010	1-469-549-21	INDUCTOR	1μH	L3801	1-469-555-21	INDUCTOR	10μH
L3011	1-412-029-11	INDUCTOR	10μH	L3802	1-469-555-21	INDUCTOR	10μH
L3012	1-412-029-11	INDUCTOR	10μH	TRANSISTOR			
L3013	1-469-549-21	INDUCTOR	1μH	Q3001	8-729-120-28	TRANSISTOR	2SC1623-L5L6
L3015	1-469-555-21	INDUCTOR	10μH	Q3002	8-729-117-73	TRANSISTOR	2SC4178-F14
L3016	1-469-549-21	INDUCTOR	1μH	Q3003	8-729-117-73	TRANSISTOR	2SC4178-F14
L3017	1-469-549-21	INDUCTOR	1μH	Q3004	8-729-117-73	TRANSISTOR	2SC4178-F14
L3201	1-469-549-21	INDUCTOR	1μH	Q3005	8-729-117-73	TRANSISTOR	2SC4178-F14
L3202	1-469-561-21	INDUCTOR	100μH	Q3006	8-729-117-73	TRANSISTOR	2SC4178-F14
L3203	1-469-561-21	INDUCTOR	100μH	Q3007	8-729-122-63	TRANSISTOR	2SA1226-E4
L3204	1-469-549-21	INDUCTOR	1μH	Q3008	8-729-122-63	TRANSISTOR	2SA1226-E4
L3205	1-469-549-21	INDUCTOR	1μH	Q3009	8-729-122-63	TRANSISTOR	2SA1226-E4
L3206	1-469-549-21	INDUCTOR	1μH	Q3010	8-729-122-63	TRANSISTOR	2SA1226-E4
L3301	1-469-561-21	INDUCTOR	100μH	Q3011	8-729-117-73	TRANSISTOR	2SC4178-F14
L3302	1-469-561-21	INDUCTOR	100μH	Q3012	8-729-117-73	TRANSISTOR	2SC4178-F14
L3303	1-469-555-21	INDUCTOR	10μH	Q3013	8-729-122-63	TRANSISTOR	2SA1226-E4
L3304	1-469-549-21	INDUCTOR	1μH	Q3014	8-729-122-63	TRANSISTOR	2SA1226-E4
L3305	1-412-029-11	INDUCTOR	10μH	Q3015	8-729-122-63	TRANSISTOR	2SA1226-E4
L3306	1-469-555-21	INDUCTOR	10μH	Q3016	8-729-122-63	TRANSISTOR	2SA1226-E4
L3307	1-412-053-21	INDUCTOR	1.5μH	Q3018	8-729-122-63	TRANSISTOR	2SA1226-E4
L3308	1-412-053-21	INDUCTOR	1.5μH	Q3019	8-729-122-63	TRANSISTOR	2SA1226-E4
L3309	1-412-058-11	INDUCTOR	10μH	Q3020	8-729-122-63	TRANSISTOR	2SA1226-E4
L3310	1-412-029-11	INDUCTOR	10μH	Q3021	8-729-117-73	TRANSISTOR	2SC4178-F14
L3311	1-412-029-11	INDUCTOR	10μH	Q3203	8-729-905-35	TRANSISTOR	2SC4081-R
L3312	1-412-029-11	INDUCTOR	10μH	Q3204	8-729-026-53	TRANSISTOR	2SA1576A-T106-QR
L3313	1-469-549-21	INDUCTOR	1μH	Q3302	8-729-905-35	TRANSISTOR	2SC4081-R
L3314	1-469-549-21	INDUCTOR	1μH	Q3303	8-729-905-35	TRANSISTOR	2SC4081-R
L3315	1-469-549-21	INDUCTOR	1μH	Q3304	8-729-117-73	TRANSISTOR	2SC4178-F14
L3316	1-469-555-21	INDUCTOR	10μH	Q3305	8-729-117-73	TRANSISTOR	2SC4178-F14
L3502	1-469-555-21	INDUCTOR	10μH	Q3306	8-729-117-73	TRANSISTOR	2SC4178-F14
L3503	1-412-026-11	INDUCTOR	1μH	Q3307	8-729-122-63	TRANSISTOR	2SA1226-E4
L3504	1-412-029-11	INDUCTOR	10μH	Q3308	8-729-122-63	TRANSISTOR	2SA1226-E4
L3505	1-469-555-21	INDUCTOR	10μH	Q3309	8-729-122-63	TRANSISTOR	2SA1226-E4
L3506	1-469-555-21	INDUCTOR	10μH				



REF. NO.	PART NO.	DESCRIPTION	VALUES	REF. NO.	PART NO.	DESCRIPTION	VALUES
Q3603	8-729-905-35	TRANSISTOR	2SC4081-R	R3023	1-218-990-11	SHORT CHIP	
Q3604	8-729-905-35	TRANSISTOR	2SC4081-R	R3024	1-218-937-11	RES-CHIP	47 5% 1/16W
Q3606	8-729-905-35	TRANSISTOR	2SC4081-R	R3025	1-218-937-11	RES-CHIP	47 5% 1/16W
Q3607	8-729-905-35	TRANSISTOR	2SC4081-R	R3026	1-218-937-11	RES-CHIP	47 5% 1/16W
Q3608	8-729-901-47	TRANSISTOR	DTA143EK	R3027	1-218-990-11	SHORT CHIP	
Q3610	8-729-027-23	TRANSISTOR	DTA114EKA-T146	R3028	1-218-990-11	SHORT CHIP	
Q3612	8-729-905-35	TRANSISTOR	2SC4081-R	R3029	1-218-990-11	SHORT CHIP	
Q3615	8-729-028-28	TRANSISTOR	2SK2036(TE85L)	R3030	1-218-990-11	SHORT CHIP	
Q3616	8-729-905-35	TRANSISTOR	2SC4081-R	R3031	1-218-965-11	RES-CHIP	10K 5% 1/16W
Q3617	8-729-905-35	TRANSISTOR	2SC4081-R	R3032	1-218-990-11	SHORT CHIP	
Q3619	8-729-028-28	TRANSISTOR	2SK2036(TE85L)	R3033	1-218-990-11	SHORT CHIP	
Q3620	8-729-905-35	TRANSISTOR	2SC4081-R	R3034	1-218-990-11	SHORT CHIP	
Q3621	8-729-026-53	TRANSISTOR	2SA1576A-T106-QR	R3036	1-208-699-11	METAL CHIP	4.7K 0.50% 1/16W
Q3622	8-729-026-53	TRANSISTOR	2SA1576A-T106-QR	R3038	1-218-965-11	RES-CHIP	10K 5% 1/16W
Q3623	8-729-026-53	TRANSISTOR	2SA1576A-T106-QR	R3039	1-220-884-81	METAL CHIP	39 0.50% 1/16W
Q3624	8-729-026-53	TRANSISTOR	2SA1576A-T106-QR	R3040	1-218-929-11	RES-CHIP	10 5% 1/16W
Q3801	8-729-905-35	TRANSISTOR	2SC4081-R	R3041	1-218-945-11	RES-CHIP	220 5% 1/16W
Q3802	8-729-027-23	TRANSISTOR	DTA114EKA-T146	R3042	1-208-699-11	METAL CHIP	4.7K 0.50% 1/16W
Q3803	8-729-905-35	TRANSISTOR	2SC4081-R	R3043	1-208-683-11	METAL CHIP	1K 0.50% 1/16W
Q3804	8-729-905-35	TRANSISTOR	2SC4081-R	R3044	1-218-849-11	METAL CHIP	1.2K 0.50% 1/10W
Q3805	8-729-905-35	TRANSISTOR	2SC4081-R	R3045	1-208-885-11	METAL CHIP	820 0.50% 1/16W
Q3807	8-729-905-35	TRANSISTOR	2SC4081-R	R3046	1-218-943-11	RES-CHIP	150 5% 1/16W
Q3808	8-729-028-28	TRANSISTOR	2SK2036(TE85L)	R3047	1-218-943-11	RES-CHIP	150 5% 1/16W
Q3809	8-729-028-28	TRANSISTOR	2SK2036(TE85L)	R3048	1-218-943-11	RES-CHIP	150 5% 1/16W
	RESISTOR			R3049	1-218-943-11	RES-CHIP	150 5% 1/16W
R3001	1-218-958-11	RES-CHIP	2.7K 5% 1/16W	R3050	1-218-943-11	RES-CHIP	150 5% 1/16W
R3002	1-218-965-11	RES-CHIP	10K 5% 1/16W	R3051	1-218-943-11	RES-CHIP	150 5% 1/16W
R3005	1-218-990-11	SHORT CHIP		R3052	1-218-990-11	SHORT CHIP	
R3006	1-218-965-11	RES-CHIP	10K 5% 1/16W	R3053	1-218-943-11	RES-CHIP	150 5% 1/16W
R3008	1-218-990-11	SHORT CHIP		R3054	1-218-937-11	RES-CHIP	47 5% 1/16W
R3009	1-218-929-11	RES-CHIP	10 5% 1/16W	R3055	1-218-990-11	SHORT CHIP	
R3010	1-218-929-11	RES-CHIP	10 5% 1/16W	R3056	1-218-937-11	RES-CHIP	47 5% 1/16W
R3011	1-218-929-11	RES-CHIP	10 5% 1/16W	R3057	1-218-941-81	RES-CHIP	100 5% 1/16W
R3012	1-218-990-11	SHORT CHIP		R3058	1-218-937-11	RES-CHIP	47 5% 1/16W
R3013	1-218-990-11	SHORT CHIP		R3059	1-218-948-11	RES-CHIP	390 5% 1/16W
R3014	1-218-958-11	RES-CHIP	2.7K 5% 1/16W	R3060	1-218-939-11	RES-CHIP	68 5% 1/16W
R3015	1-208-699-11	METAL CHIP	4.7K 0.50% 1/16W	R3061	1-218-929-11	RES-CHIP	10 5% 1/16W
R3016	1-218-945-11	RES-CHIP	220 5% 1/16W	R3062	1-218-949-11	RES-CHIP	470 5% 1/16W
R3017	1-208-699-11	METAL CHIP	4.7K 0.50% 1/16W	R3063	1-218-937-11	RES-CHIP	47 5% 1/16W
R3018	1-218-965-11	RES-CHIP	10K 5% 1/16W	R3064	1-208-679-11	METAL CHIP	680 0.50% 1/16W
R3020	1-218-965-11	RES-CHIP	10K 5% 1/16W	R3065	1-208-679-11	METAL CHIP	680 0.50% 1/16W
R3022	1-218-965-11	RES-CHIP	10K 5% 1/16W	R3066	1-208-683-11	METAL CHIP	1K 0.50% 1/16W
				R3067	1-218-941-11	RES-CHIP	100 5% 1/16W



REF. NO.	PART NO.	DESCRIPTION	VALUES			REF. NO.	PART NO.	DESCRIPTION	VALUES		
R3070	1-218-929-11	RES-CHIP	10	5%	1/16W	R3118	1-218-849-11	METAL CHIP	1.2K	0.50%	1/10W
R3071	1-218-953-11	RES-CHIP	1K	5%	1/16W	R3119	1-208-679-11	METAL CHIP	680	0.50%	1/16W
R3072	1-218-937-11	RES-CHIP	47	5%	1/16W						
R3073	1-218-937-11	RES-CHIP	47	5%	1/16W	R3120	1-208-893-11	METAL CHIP	1.8K	0.50%	1/16W
R3074	1-218-937-11	RES-CHIP	47	5%	1/16W	R3121	1-218-971-11	RES-CHIP	33K	5%	1/16W
						R3122	1-208-893-11	METAL CHIP	1.8K	0.50%	1/16W
R3076	1-208-675-11	METAL CHIP	470	0.50%	1/16W	R3123	1-218-990-11	SHORT CHIP			
R3077	1-218-957-11	RES-CHIP	2.2K	5%	1/16W	R3124	1-208-679-11	METAL CHIP	680	0.50%	1/16W
R3078	1-218-957-11	RES-CHIP	2.2K	5%	1/16W						
R3079	1-208-679-11	METAL CHIP	680	0.50%	1/16W	R3125	1-218-849-11	METAL CHIP	1.2K	0.50%	1/10W
R3080	1-208-679-11	METAL CHIP	680	0.50%	1/16W	R3128	1-218-943-11	RES-CHIP	150	5%	1/16W
						R3129	1-218-947-11	RES-CHIP	330	5%	1/16W
R3081	1-218-948-11	RES-CHIP	390	5%	1/16W	R3130	1-220-174-11	RES-CHIP	200	5%	1/16W
R3082	1-208-675-11	METAL CHIP	470	0.50%	1/16W	R3135	1-220-174-11	RES-CHIP	200	5%	1/16W
R3083	1-218-948-11	RES-CHIP	390	5%	1/16W						
R3084	1-208-675-11	METAL CHIP	470	0.50%	1/16W	R3136	1-218-953-11	RES-CHIP	1K	5%	1/16W
R3085	1-208-683-11	METAL CHIP	1K	0.50%	1/16W	R3138	1-218-929-11	RES-CHIP	10	5%	1/16W
						R3140	1-218-990-11	SHORT CHIP			
R3086	1-218-941-11	RES-CHIP	100	5%	1/16W	R3147	1-218-937-11	RES-CHIP	47	5%	1/16W
R3087	1-218-929-11	RES-CHIP	10	5%	1/16W	R3148	1-218-864-11	METAL CHIP	5.1K	0.50%	1/10W
R3088	1-218-929-11	RES-CHIP	10	5%	1/16W						
R3089	1-218-929-11	RES-CHIP	10	5%	1/16W	R3149	1-208-683-11	METAL CHIP	1K	0.50%	1/16W
R3090	1-218-953-11	RES-CHIP	1K	5%	1/16W	R3150	1-208-683-11	METAL CHIP	1K	0.50%	1/16W
						R3151	1-208-671-11	METAL CHIP	330	0.50%	1/16W
R3091	1-218-953-11	RES-CHIP	1K	5%	1/16W	R3152	1-218-937-11	RES-CHIP	47	5%	1/16W
R3092	1-218-953-11	RES-CHIP	1K	5%	1/16W	R3153	1-208-687-11	METAL CHIP	1.5K	0.50%	1/16W
R3093	1-218-929-11	RES-CHIP	10	5%	1/16W						
R3094	1-218-929-11	RES-CHIP	10	5%	1/16W	R3154	1-208-647-11	METAL CHIP	33	0.50%	1/16W
R3095	1-208-893-11	METAL CHIP	1.8K	0.50%	1/16W	R3155	1-218-937-11	RES-CHIP	47	5%	1/16W
						R3156	1-218-990-11	SHORT CHIP			
R3096	1-208-893-11	METAL CHIP	1.8K	0.50%	1/16W	R3157	1-218-990-11	SHORT CHIP			
R3097	1-218-929-11	RES-CHIP	10	5%	1/16W	R3158	1-218-990-11	SHORT CHIP			
R3098	1-218-929-11	RES-CHIP	10	5%	1/16W						
R3100	1-218-990-11	SHORT CHIP				R3159	1-218-990-11	SHORT CHIP			
R3102	1-218-990-11	SHORT CHIP				R3160	1-218-990-11	SHORT CHIP			
						R3161	1-218-990-11	SHORT CHIP			
R3103	1-218-990-11	SHORT CHIP				R3162	1-218-957-11	RES-CHIP	2.2K	5%	1/16W
R3104	1-218-990-11	SHORT CHIP				R3163	1-218-957-11	RES-CHIP	2.2K	5%	1/16W
R3106	1-218-990-11	SHORT CHIP									
R3107	1-218-959-11	RES-CHIP	3.3K	5%	1/16W	R3164	1-208-675-11	METAL CHIP	470	0.50%	1/16W
R3109	1-218-963-11	RES-CHIP	6.8K	5%	1/16W	R3167	1-218-945-11	RES-CHIP	220	5%	1/16W
						R3168	1-208-861-81	METAL CHIP	82	0.50%	1/16W
R3110	1-218-990-11	SHORT CHIP				R3170	1-218-959-11	RES-CHIP	3.3K	5%	1/16W
R3111	1-218-943-11	RES-CHIP	150	5%	1/16W	R3171	1-218-941-81	RES-CHIP	100	5%	1/16W
R3112	1-218-947-11	RES-CHIP	330	5%	1/16W						
R3113	1-220-174-11	RES-CHIP	200	5%	1/16W	R3172	1-218-955-11	RES-CHIP	1.5K	5%	1/16W
R3114	1-220-174-11	RES-CHIP	200	5%	1/16W	R3173	1-218-941-81	RES-CHIP	100	5%	1/16W
						R3181	1-218-955-11	RES-CHIP	1.5K	5%	1/16W
R3115	1-218-953-11	RES-CHIP	1K	5%	1/16W	R3182	1-218-937-11	RES-CHIP	47	5%	1/16W
R3116	1-218-990-11	SHORT CHIP				R3187	1-218-990-11	SHORT CHIP			
R3117	1-218-990-11	SHORT CHIP									



REF. NO.	PART NO.	DESCRIPTION	VALUES			REF. NO.	PART NO.	DESCRIPTION	VALUES		
R3188	1-218-949-11	RES-CHIP	470	5%	1/16W	R3315	1-218-990-11	SHORT CHIP			
R3191	1-218-965-11	RES-CHIP	10K	5%	1/16W	R3316	1-218-957-11	RES-CHIP	2.2K	5%	1/16W
R3196	1-218-990-11	SHORT CHIP				R3317	1-218-945-11	RES-CHIP	220	5%	1/16W
R3201	1-216-864-11	SHORT CHIP				R3318	1-218-941-81	RES-CHIP	100	5%	1/16W
R3219	1-218-990-11	SHORT CHIP				R3319	1-216-841-11	METAL CHIP	47K	5%	1/10W
R3221	1-218-990-11	SHORT CHIP				R3320	1-218-662-11	METAL CHIP	56	0.50%	1/10W
R3239	1-218-990-11	SHORT CHIP				R3321	1-218-662-11	METAL CHIP	56	0.50%	1/10W
R3244	1-218-990-11	SHORT CHIP				R3322	1-218-664-11	METAL CHIP	68	0.50%	1/10W
R3246	1-218-990-11	SHORT CHIP				R3323	1-216-815-11	METAL CHIP	330	5%	1/10W
R3247	1-218-990-11	SHORT CHIP				R3324	1-218-662-11	METAL CHIP	56	0.50%	1/10W
R3248	1-218-990-11	SHORT CHIP				R3325	1-218-662-11	METAL CHIP	56	0.50%	1/10W
R3249	1-218-990-11	SHORT CHIP				R3326	1-218-664-11	METAL CHIP	68	0.50%	1/10W
R3251	1-218-965-11	RES-CHIP	10K	5%	1/16W	R3327	1-218-662-11	METAL CHIP	56	0.50%	1/10W
R3252	1-218-945-11	RES-CHIP	220	5%	1/16W	R3328	1-218-662-11	METAL CHIP	56	0.50%	1/10W
R3253	1-218-990-11	SHORT CHIP				R3329	1-218-664-11	METAL CHIP	68	0.50%	1/10W
R3255	1-216-801-11	METAL CHIP	22	5%	1/10W	R3330	1-216-815-11	METAL CHIP	330	5%	1/10W
R3256	1-208-898-81	METAL CHIP	3K	0.50%	1/16W	R3331	1-218-660-91	METAL CHIP	47	0.50%	1/10W
R3257	1-218-941-81	RES-CHIP	100	5%	1/16W	R3332	1-218-660-91	METAL CHIP	47	0.50%	1/10W
R3262	1-218-941-81	RES-CHIP	100	5%	1/16W	R3333	1-218-664-11	METAL CHIP	68	0.50%	1/10W
R3264	1-218-947-11	RES-CHIP	330	5%	1/16W	R3334	1-218-933-11	RES-CHIP	22	5%	1/16W
R3265	1-218-985-11	RES-CHIP	470K	5%	1/16W	R3335	1-218-933-11	RES-CHIP	22	5%	1/16W
R3266	1-218-969-11	RES-CHIP	22K	5%	1/16W	R3336	1-218-990-11	SHORT CHIP			
R3267	1-218-945-11	RES-CHIP	220	5%	1/16W	R3337	1-218-990-11	SHORT CHIP			
R3268	1-218-953-11	RES-CHIP	1K	5%	1/16W	R3338	1-218-990-11	SHORT CHIP			
R3269	1-218-985-11	RES-CHIP	470K	5%	1/16W	R3339	1-218-990-11	SHORT CHIP			
R3270	1-218-959-11	RES-CHIP	3.3K	5%	1/16W	R3340	1-218-990-11	SHORT CHIP			
R3272	1-216-805-11	METAL CHIP	47	5%	1/10W	R3341	1-218-990-11	SHORT CHIP			
R3276	1-543-949-22	FERRITE	0μH			R3342	1-218-990-11	SHORT CHIP			
R3277	1-543-949-22	FERRITE	0μH			R3343	1-218-933-11	RES-CHIP	22	5%	1/16W
R3284	1-218-935-11	RES-CHIP	33	5%	1/16W	R3344	1-218-990-11	SHORT CHIP			
R3285	1-218-942-11	RES-CHIP	120	5%	1/16W	R3345	1-218-933-11	RES-CHIP	22	5%	1/16W
R3286	1-218-942-11	RES-CHIP	120	5%	1/16W	R3346	1-218-990-11	SHORT CHIP			
R3288	1-218-990-11	SHORT CHIP				R3347	1-218-990-11	SHORT CHIP			
R3301	1-218-937-11	RES-CHIP	47	5%	1/16W	R3348	1-218-990-11	SHORT CHIP			
R3302	1-218-937-11	RES-CHIP	47	5%	1/16W	R3349	1-218-990-11	SHORT CHIP			
R3303	1-218-967-11	RES-CHIP	15K	5%	1/16W	R3350	1-218-990-11	SHORT CHIP			
R3304	1-218-967-11	RES-CHIP	15K	5%	1/16W	R3352	1-218-937-11	RES-CHIP	47	5%	1/16W
R3306	1-216-820-11	METAL CHIP	820	5%	1/10W	R3353	1-218-990-11	SHORT CHIP			
R3309	1-216-821-11	METAL CHIP	1K	5%	1/10W	R3355	1-218-937-11	RES-CHIP	47	5%	1/16W
R3310	1-218-967-11	RES-CHIP	15K	5%	1/16W	R3356	1-218-990-11	SHORT CHIP			
R3311	1-216-855-11	METAL CHIP	680K	5%	1/10W	R3358	1-218-937-11	RES-CHIP	47	5%	1/16W
R3312	1-218-709-11	METAL CHIP	5.1K	0.50%	1/10W	R3359	1-218-933-11	RES-CHIP	22	5%	1/16W
R3313	1-216-855-11	METAL CHIP	680K	5%	1/10W						



REF. NO.	PART NO.	DESCRIPTION	VALUES			REF. NO.	PART NO.	DESCRIPTION	VALUES		
R3360	1-218-933-11	RES-CHIP	22	5%	1/16W	R3412	1-208-675-11	METAL CHIP	470	0.50%	1/16W
R3361	1-218-990-11	SHORT CHIP				R3413	1-208-675-11	METAL CHIP	470	0.50%	1/16W
R3362	1-218-990-11	SHORT CHIP									
R3363	1-218-933-11	RES-CHIP	22	5%	1/16W	R3414	1-208-675-11	METAL CHIP	470	0.50%	1/16W
R3364	1-218-935-11	RES-CHIP	33	5%	1/16W	R3415	1-208-675-11	METAL CHIP	470	0.50%	1/16W
						R3416	1-208-675-11	METAL CHIP	470	0.50%	1/16W
R3366	1-218-990-11	SHORT CHIP				R3417	1-218-929-11	RES-CHIP	10	5%	1/16W
R3367	1-218-945-11	RES-CHIP	220	5%	1/16W	R3418	1-218-929-11	RES-CHIP	10	5%	1/16W
R3368	1-218-990-11	SHORT CHIP									
R3369	1-218-983-11	RES-CHIP	330K	5%	1/16W	R3419	1-218-929-11	RES-CHIP	10	5%	1/16W
R3370	1-218-990-11	SHORT CHIP				R3420	1-218-953-11	RES-CHIP	1K	5%	1/16W
						R3421	1-218-953-11	RES-CHIP	1K	5%	1/16W
R3371	1-218-937-11	RES-CHIP	47	5%	1/16W	R3422	1-218-953-11	RES-CHIP	1K	5%	1/16W
R3372	1-218-937-11	RES-CHIP	47	5%	1/16W	R3424	1-218-937-11	RES-CHIP	47	5%	1/16W
R3373	1-218-933-11	RES-CHIP	22	5%	1/16W						
R3374	1-218-990-11	SHORT CHIP				R3427	1-218-990-11	SHORT CHIP			
R3375	1-218-933-11	RES-CHIP	22	5%	1/16W	R3429	1-218-941-81	RES-CHIP	100	5%	1/16W
						R3430	1-208-687-11	METAL CHIP	1.5K	0.50%	1/16W
R3376	1-218-990-11	SHORT CHIP				R3431	1-208-683-11	METAL CHIP	1K	0.50%	1/16W
R3377	1-218-990-11	SHORT CHIP				R3432	1-208-911-11	METAL CHIP	10K	0.50%	1/16W
R3378	1-218-990-11	SHORT CHIP									
R3379	1-218-990-11	SHORT CHIP				R3501	1-218-937-11	RES-CHIP	47	5%	1/16W
R3380	1-218-965-11	RES-CHIP	10K	5%	1/16W	R3503	1-218-965-11	RES-CHIP	10K	5%	1/16W
						R3504	1-218-933-11	RES-CHIP	22	5%	1/16W
R3381	1-218-990-11	SHORT CHIP				R3505	1-218-953-11	RES-CHIP	1K	5%	1/16W
R3382	1-218-965-11	RES-CHIP	10K	5%	1/16W	R3507	1-218-990-11	SHORT CHIP			
R3383	1-218-965-11	RES-CHIP	10K	5%	1/16W						
R3384	1-218-965-11	RES-CHIP	10K	5%	1/16W	R3508	1-218-933-11	RES-CHIP	22	5%	1/16W
R3385	1-218-990-11	SHORT CHIP				R3509	1-218-933-11	RES-CHIP	22	5%	1/16W
						R3510	1-218-937-11	RES-CHIP	47	5%	1/16W
R3387	1-218-939-11	RES-CHIP	68	5%	1/16W	R3511	1-216-805-11	METAL CHIP	47	5%	1/10W
R3388	1-218-939-11	RES-CHIP	68	5%	1/16W	R3512	1-218-937-11	RES-CHIP	47	5%	1/16W
R3389	1-218-939-11	RES-CHIP	68	5%	1/16W						
R3390	1-218-939-11	RES-CHIP	68	5%	1/16W	R3513	1-218-937-11	RES-CHIP	47	5%	1/16W
R3391	1-218-939-11	RES-CHIP	68	5%	1/16W	R3514	1-216-805-11	METAL CHIP	47	5%	1/10W
						R3515	1-218-937-11	RES-CHIP	47	5%	1/16W
R3392	1-218-939-11	RES-CHIP	68	5%	1/16W	R3516	1-218-937-11	RES-CHIP	47	5%	1/16W
R3394	1-218-939-11	RES-CHIP	68	5%	1/16W	R3517	1-218-937-11	RES-CHIP	47	5%	1/16W
R3395	1-218-939-11	RES-CHIP	68	5%	1/16W						
R3396	1-218-939-11	RES-CHIP	68	5%	1/16W	R3518	1-218-937-11	RES-CHIP	47	5%	1/16W
R3397	1-218-939-11	RES-CHIP	68	5%	1/16W	R3520	1-216-805-11	METAL CHIP	47	5%	1/10W
						R3522	1-218-990-11	SHORT CHIP			
R3398	1-218-939-11	RES-CHIP	68	5%	1/16W	R3523	1-218-939-11	RES-CHIP	68	5%	1/16W
R3399	1-218-939-11	RES-CHIP	68	5%	1/16W	R3524	1-218-939-11	RES-CHIP	68	5%	1/16W
R3400	1-218-939-11	RES-CHIP	68	5%	1/16W						
R3401	1-218-929-11	RES-CHIP	10	5%	1/16W	R3525	1-218-990-11	SHORT CHIP			
R3402	1-218-937-11	RES-CHIP	47	5%	1/16W	R3527	1-218-990-11	SHORT CHIP			
						R3528	1-218-977-11	RES-CHIP	100K	5%	1/16W
R3403	1-218-937-11	RES-CHIP	47	5%	1/16W	R3529	1-218-977-11	RES-CHIP	100K	5%	1/16W
R3404	1-218-937-11	RES-CHIP	47	5%	1/16W	R3531	1-218-939-11	RES-CHIP	68	5%	1/16W
R3411	1-208-675-11	METAL CHIP	470	0.50%	1/16W						



REF. NO.	PART NO.	DESCRIPTION	VALUES			REF. NO.	PART NO.	DESCRIPTION	VALUES		
R3532	1-216-864-11	SHORT CHIP				R3643	1-218-941-81	RES-CHIP	100	5%	1/16W
R3533	1-216-864-11	SHORT CHIP				R3644	1-218-941-81	RES-CHIP	100	5%	1/16W
R3534	1-216-864-11	SHORT CHIP									
R3535	1-218-941-11	RES-CHIP	100	5%	1/16W	R3645	1-218-965-11	RES-CHIP	10K	5%	1/16W
R3536	1-218-941-11	RES-CHIP	100	5%	1/16W	R3646	1-218-941-81	RES-CHIP	100	5%	1/16W
						R3647	1-218-937-11	RES-CHIP	47	5%	1/16W
R3537	1-218-941-11	RES-CHIP	100	5%	1/16W	R3648	1-218-937-11	RES-CHIP	47	5%	1/16W
R3538	1-218-941-11	RES-CHIP	100	5%	1/16W	R3649	1-218-965-11	RES-CHIP	10K	5%	1/16W
R3539	1-218-941-11	RES-CHIP	100	5%	1/16W						
R3540	1-218-941-11	RES-CHIP	100	5%	1/16W	R3650	1-208-699-11	METAL CHIP	4.7K	0.50%	1/16W
R3544	1-218-965-11	RES-CHIP	10K	5%	1/16W	R3651	1-218-937-11	RES-CHIP	47	5%	1/16W
						R3652	1-208-699-11	METAL CHIP	4.7K	0.50%	1/16W
R3545	1-218-965-11	RES-CHIP	10K	5%	1/16W	R3653	1-218-965-11	RES-CHIP	10K	5%	1/16W
R3546	1-218-965-11	RES-CHIP	10K	5%	1/16W	R3655	1-218-937-11	RES-CHIP	47	5%	1/16W
R3547	1-218-965-11	RES-CHIP	10K	5%	1/16W						
R3548	1-218-965-11	RES-CHIP	10K	5%	1/16W	R3657	1-218-983-11	RES-CHIP	330K	5%	1/16W
R3605	1-218-973-11	RES-CHIP	47K	5%	1/16W	R3658	1-218-941-81	RES-CHIP	100	5%	1/16W
						R3660	1-219-570-11	METAL CHIP	10M	5%	1/10W
R3606	1-218-941-81	RES-CHIP	100	5%	1/16W	R3661	1-218-979-11	RES-CHIP	150K	5%	1/16W
R3607	1-216-864-11	SHORT CHIP				R3662	1-218-969-11	RES-CHIP	22K	5%	1/16W
R3608	1-218-985-11	RES-CHIP	470K	5%	1/16W						
R3609	1-218-941-81	RES-CHIP	100	5%	1/16W	R3663	1-218-965-11	RES-CHIP	10K	5%	1/16W
R3614	1-218-973-11	RES-CHIP	47K	5%	1/16W	R3664	1-218-965-11	RES-CHIP	10K	5%	1/16W
						R3665	1-218-965-11	RES-CHIP	10K	5%	1/16W
R3615	1-218-937-11	RES-CHIP	47	5%	1/16W	R3666	1-218-937-11	RES-CHIP	47	5%	1/16W
R3616	1-218-937-11	RES-CHIP	47	5%	1/16W	R3667	1-218-971-11	RES-CHIP	33K	5%	1/16W
R3617	1-218-937-11	RES-CHIP	47	5%	1/16W						
R3619	1-218-965-11	RES-CHIP	10K	5%	1/16W	R3668	1-218-953-11	RES-CHIP	1K	5%	1/16W
R3620	1-218-937-11	RES-CHIP	47	5%	1/16W	R3670	1-218-941-81	RES-CHIP	100	5%	1/16W
						R3671	1-218-990-11	SHORT CHIP			
R3621	1-218-955-11	RES-CHIP	1.5K	5%	1/16W	R3672	1-218-977-11	RES-CHIP	100K	5%	1/16W
R3622	1-218-937-11	RES-CHIP	47	5%	1/16W	R3673	1-218-937-11	RES-CHIP	47	5%	1/16W
R3624	1-218-937-11	RES-CHIP	47	5%	1/16W						
R3625	1-218-933-11	RES-CHIP	22	5%	1/16W	R3674	1-218-937-11	RES-CHIP	47	5%	1/16W
R3628	1-218-965-11	RES-CHIP	10K	5%	1/16W	R3675	1-218-953-11	RES-CHIP	1K	5%	1/16W
						R3676	1-218-973-11	RES-CHIP	47K	5%	1/16W
R3629	1-218-965-11	RES-CHIP	10K	5%	1/16W	R3677	1-218-941-81	RES-CHIP	100	5%	1/16W
R3630	1-218-937-11	RES-CHIP	47	5%	1/16W	R3678	1-218-965-11	RES-CHIP	10K	5%	1/16W
R3631	1-218-937-11	RES-CHIP	47	5%	1/16W						
R3632	1-218-937-11	RES-CHIP	47	5%	1/16W	R3679	1-218-929-11	RES-CHIP	10	5%	1/16W
R3633	1-218-937-11	RES-CHIP	47	5%	1/16W	R3680	1-218-929-11	RES-CHIP	10	5%	1/16W
						R3681	1-218-929-11	RES-CHIP	10	5%	1/16W
R3634	1-218-965-11	RES-CHIP	10K	5%	1/16W	R3682	1-218-929-11	RES-CHIP	10	5%	1/16W
R3636	1-218-965-11	RES-CHIP	10K	5%	1/16W	R3683	1-218-965-11	RES-CHIP	10K	5%	1/16W
R3637	1-218-941-81	RES-CHIP	100	5%	1/16W						
R3638	1-218-971-11	RES-CHIP	33K	5%	1/16W	R3684	1-218-965-11	RES-CHIP	10K	5%	1/16W
R3639	1-218-937-11	RES-CHIP	47	5%	1/16W	R3685	1-218-953-11	RES-CHIP	1K	5%	1/16W
						R3686	1-218-953-11	RES-CHIP	1K	5%	1/16W
R3640	1-218-937-11	RES-CHIP	47	5%	1/16W	R3687	1-218-941-81	RES-CHIP	100	5%	1/16W
R3641	1-218-977-11	RES-CHIP	100K	5%	1/16W	R3688	1-218-941-81	RES-CHIP	100	5%	1/16W
R3642	1-218-973-11	RES-CHIP	47K	5%	1/16W						



REF. NO.	PART NO.	DESCRIPTION	VALUES			REF. NO.	PART NO.	DESCRIPTION	VALUES		
R3689	1-218-937-11	RES-CHIP	47	5%	1/16W	R3742	1-218-956-11	RES-CHIP	1.8K	5%	1/16W
R3690	1-218-941-81	RES-CHIP	100	5%	1/16W	R3744	1-218-956-11	RES-CHIP	1.8K	5%	1/16W
R3691	1-218-941-81	RES-CHIP	100	5%	1/16W						
R3692	1-218-941-81	RES-CHIP	100	5%	1/16W	R3745	1-218-937-11	RES-CHIP	47	5%	1/16W
R3694	1-218-937-11	RES-CHIP	47	5%	1/16W	R3746	1-218-937-11	RES-CHIP	47	5%	1/16W
						R3747	1-218-937-11	RES-CHIP	47	5%	1/16W
R3695	1-218-941-81	RES-CHIP	100	5%	1/16W	R3748	1-218-937-11	RES-CHIP	47	5%	1/16W
R3696	1-218-937-11	RES-CHIP	47	5%	1/16W	R3749	1-218-953-11	RES-CHIP	1K	5%	1/16W
R3697	1-218-937-11	RES-CHIP	47	5%	1/16W						
R3698	1-218-941-81	RES-CHIP	100	5%	1/16W	R3750	1-218-953-11	RES-CHIP	1K	5%	1/16W
R3699	1-218-953-11	RES-CHIP	1K	5%	1/16W	R3751	1-218-953-11	RES-CHIP	1K	5%	1/16W
						R3752	1-218-953-11	RES-CHIP	1K	5%	1/16W
R3700	1-218-973-11	RES-CHIP	47K	5%	1/16W	R3753	1-218-989-11	RES-CHIP	1M	5%	1/16W
R3701	1-220-804-11	RES-CHIP	2.2M	5%	1/16W	R3754	1-218-989-11	RES-CHIP	1M	5%	1/16W
R3702	1-218-969-11	RES-CHIP	22K	5%	1/16W						
R3703	1-218-937-11	RES-CHIP	47	5%	1/16W	R3755	1-218-957-11	RES-CHIP	2.2K	5%	1/16W
R3704	1-218-937-11	RES-CHIP	47	5%	1/16W	R3756	1-218-957-11	RES-CHIP	2.2K	5%	1/16W
						R3757	1-208-711-11	METAL CHIP	15K	0.50%	1/16W
R3705	1-218-949-11	RES-CHIP	470	5%	1/16W	R3758	1-208-711-11	METAL CHIP	15K	0.50%	1/16W
R3706	1-218-937-11	RES-CHIP	47	5%	1/16W	R3759	1-208-699-11	METAL CHIP	4.7K	0.50%	1/16W
R3707	1-218-990-11	SHORT CHIP									
R3709	1-218-965-11	RES-CHIP	10K	5%	1/16W	R3760	1-208-699-11	METAL CHIP	4.7K	0.50%	1/16W
R3710	1-218-969-11	RES-CHIP	22K	5%	1/16W	R3761	1-218-957-11	RES-CHIP	2.2K	5%	1/16W
						R3762	1-218-957-11	RES-CHIP	2.2K	5%	1/16W
R3712	1-218-969-11	RES-CHIP	22K	5%	1/16W	R3763	1-218-937-11	RES-CHIP	47	5%	1/16W
R3713	1-218-990-11	SHORT CHIP				R3764	1-218-937-11	RES-CHIP	47	5%	1/16W
R3714	1-218-965-11	RES-CHIP	10K	5%	1/16W						
R3716	1-218-957-11	RES-CHIP	2.2K	5%	1/16W	R3765	1-218-849-11	METAL CHIP	1.2K	0.50%	1/10W
R3718	1-218-965-11	RES-CHIP	10K	5%	1/16W	R3766	1-216-296-11	SHORT CHIP			
						R3767	1-216-296-11	SHORT CHIP			
R3719	1-218-965-11	RES-CHIP	10K	5%	1/16W	R3768	1-216-296-11	SHORT CHIP			
R3723	1-218-990-11	SHORT CHIP				R3769	1-216-296-11	SHORT CHIP			
R3724	1-218-961-11	RES-CHIP	4.7K	5%	1/16W						
R3725	1-218-973-11	RES-CHIP	47K	5%	1/16W	R3770	1-216-296-11	SHORT CHIP			
R3726	1-218-971-11	RES-CHIP	33K	5%	1/16W	R3771	1-218-990-11	SHORT CHIP			
						R3772	1-218-990-11	SHORT CHIP			
R3727	1-218-965-11	RES-CHIP	10K	5%	1/16W	R3773	1-218-990-11	SHORT CHIP			
R3728	1-218-949-11	RES-CHIP	470	5%	1/16W	R3774	1-218-941-81	RES-CHIP	100	5%	1/16W
R3729	1-218-937-11	RES-CHIP	47	5%	1/16W						
R3730	1-218-941-81	RES-CHIP	100	5%	1/16W	R3775	1-218-849-11	METAL CHIP	1.2K	0.50%	1/10W
R3731	1-218-990-11	SHORT CHIP				R3776	1-218-849-11	METAL CHIP	1.2K	0.50%	1/10W
						R3777	1-218-990-11	SHORT CHIP			
R3733	1-218-990-11	SHORT CHIP				R3778	1-218-990-11	SHORT CHIP			
R3734	1-218-990-11	SHORT CHIP				R3779	1-218-990-11	SHORT CHIP			
R3735	1-218-965-11	RES-CHIP	10K	5%	1/16W						
R3736	1-218-965-11	RES-CHIP	10K	5%	1/16W	R3780	1-218-937-11	RES-CHIP	47	5%	1/16W
R3738	1-218-965-11	RES-CHIP	10K	5%	1/16W	R3781	1-218-937-11	RES-CHIP	47	5%	1/16W
						R3783	1-218-965-11	RES-CHIP	10K	5%	1/16W
R3739	1-218-990-11	SHORT CHIP				R3784	1-218-945-11	RES-CHIP	220	5%	1/16W
R3740	1-218-990-11	SHORT CHIP				R3785	1-218-945-11	RES-CHIP	220	5%	1/16W
R3741	1-218-990-11	SHORT CHIP									



REF. NO.	PART NO.	DESCRIPTION	VALUES			REF. NO.	PART NO.	DESCRIPTION	VALUES		
R3786	1-218-945-11	RES-CHIP	220	5%	1/16W	R3851	1-218-990-11	SHORT CHIP			
R3792	1-218-990-11	SHORT CHIP				R3852	1-218-990-11	SHORT CHIP			
R3793	1-208-929-11	METAL CHIP	56K	0.50%	1/16W	R3853	1-218-990-11	SHORT CHIP			
R3794	1-208-929-11	METAL CHIP	56K	0.50%	1/16W	R3854	1-218-990-11	SHORT CHIP			
R3801	1-218-965-11	RES-CHIP	10K	5%	1/16W	R3855	1-218-990-11	SHORT CHIP			
R3802	1-218-965-11	RES-CHIP	10K	5%	1/16W	R3856	1-218-990-11	SHORT CHIP			
R3805	1-218-965-11	RES-CHIP	10K	5%	1/16W	R3857	1-218-990-11	SHORT CHIP			
R3806	1-218-965-11	RES-CHIP	10K	5%	1/16W	R3858	1-218-990-11	SHORT CHIP			
R3808	1-218-937-11	RES-CHIP	47	5%	1/16W	R3859	1-218-990-11	SHORT CHIP			
R3809	1-218-937-11	RES-CHIP	47	5%	1/16W	R3860	1-218-973-11	RES-CHIP	47K	5%	1/16W
R3810	1-218-937-11	RES-CHIP	47	5%	1/16W	R3861	1-218-965-11	RES-CHIP	10K	5%	1/16W
R3811	1-218-937-11	RES-CHIP	47	5%	1/16W	R3863	1-218-941-81	RES-CHIP	100	5%	1/16W
R3812	1-218-937-11	RES-CHIP	47	5%	1/16W	R3864	1-218-937-11	RES-CHIP	47	5%	1/16W
R3815	1-218-941-81	RES-CHIP	100	5%	1/16W	R3865	1-218-941-81	RES-CHIP	100	5%	1/16W
R3816	1-218-941-81	RES-CHIP	100	5%	1/16W	R3866	1-218-965-11	RES-CHIP	10K	5%	1/16W
R3817	1-218-939-11	RES-CHIP	68	5%	1/16W	R3867	1-218-965-11	RES-CHIP	10K	5%	1/16W
R3821	1-218-953-11	RES-CHIP	1K	5%	1/16W	R3868	1-218-957-11	RES-CHIP	2.2K	5%	1/16W
R3822	1-218-965-11	RES-CHIP	10K	5%	1/16W	R3869	1-218-941-81	RES-CHIP	100	5%	1/16W
R3823	1-218-941-81	RES-CHIP	100	5%	1/16W	R3872	1-218-990-11	SHORT CHIP			
R3824	1-218-965-11	RES-CHIP	10K	5%	1/16W	R3873	1-218-990-11	SHORT CHIP			
R3825	1-218-933-11	RES-CHIP	22	5%	1/16W						
R3826	1-218-933-11	RES-CHIP	22	5%	1/16W						
R3828	1-218-965-11	RES-CHIP	10K	5%	1/16W						
R3829	1-218-965-11	RES-CHIP	10K	5%	1/16W						
R3830	1-218-965-11	RES-CHIP	10K	5%	1/16W						
R3831	1-218-959-11	RES-CHIP	3.3K	5%	1/16W						
R3832	1-218-959-11	RES-CHIP	3.3K	5%	1/16W						
R3833	1-218-965-11	RES-CHIP	10K	5%	1/16W						
R3834	1-218-965-11	RES-CHIP	10K	5%	1/16W						
R3835	1-218-973-11	RES-CHIP	47K	5%	1/16W						
R3836	1-218-965-11	RES-CHIP	10K	5%	1/16W						
R3837	1-218-961-11	RES-CHIP	4.7K	5%	1/16W						
R3838	1-218-941-81	RES-CHIP	100	5%	1/16W						
R3839	1-218-941-81	RES-CHIP	100	5%	1/16W						
R3841	1-218-941-81	RES-CHIP	100	5%	1/16W						
R3842	1-218-941-81	RES-CHIP	100	5%	1/16W						
R3843	1-218-941-81	RES-CHIP	100	5%	1/16W						
R3844	1-218-941-81	RES-CHIP	100	5%	1/16W						
R3845	1-218-933-11	RES-CHIP	22	5%	1/16W						
R3846	1-218-933-11	RES-CHIP	22	5%	1/16W						
R3847	1-218-965-11	RES-CHIP	10K	5%	1/16W						
R3848	1-218-965-11	RES-CHIP	10K	5%	1/16W						
R3849	1-218-965-11	RES-CHIP	10K	5%	1/16W						
R3850	1-218-990-11	SHORT CHIP									
						RESISTOR BRIDGE					
						RB3001	1-234-378-21	RES, NETWORK 10K	(1005X4)		
						RB3002	1-234-378-21	RES, NETWORK 10K	(1005X4)		
						RB3003	1-234-378-21	RES, NETWORK 10K	(1005X4)		
						RB3004	1-234-378-21	RES, NETWORK 10K	(1005X4)		
						RB3005	1-234-378-21	RES, NETWORK 10K	(1005X4)		
						RB3006	1-234-378-21	RES, NETWORK 10K	(1005X4)		
						RB3007	1-234-371-21	RES, NETWORK 47	(1005X4)		
						RB3008	1-234-371-21	RES, NETWORK 47	(1005X4)		
						RB3009	1-234-371-21	RES, NETWORK 47	(1005X4)		
						RB3010	1-234-371-21	RES, NETWORK 47	(1005X4)		
						RB3011	1-234-378-21	RES, NETWORK 10K	(1005X4)		
						RB3012	1-234-378-21	RES, NETWORK 10K	(1005X4)		
						RB3013	1-234-378-21	RES, NETWORK 10K	(1005X4)		
						RB3014	1-234-378-21	RES, NETWORK 10K	(1005X4)		
						RB3015	1-234-378-21	RES, NETWORK 10K	(1005X4)		
						RB3016	1-234-372-21	RES, NETWORK 100	(1005X4)		
						RB3017	1-234-372-21	RES, NETWORK 100	(1005X4)		
						RB3021	1-234-372-21	RES, NETWORK 100	(1005X4)		
						RB3022	1-234-372-21	RES, NETWORK 100	(1005X4)		
						RB3201	1-234-371-21	RES, NETWORK 47	(1005X4)		



REF. NO.	PART NO.	DESCRIPTION	VALUES	REF. NO.	PART NO.	DESCRIPTION	VALUES																																																																																										
RB3202	1-234-371-21	RES, NETWORK 47	(1005X4)	CRYSTAL																																																																																													
RB3203	1-234-371-21	RES, NETWORK 47	(1005X4)	X3301	1-813-114-21	VIBRATOR, CRYSTAL																																																																																											
RB3204	1-234-371-21	RES, NETWORK 47	(1005X4)	X3302	1-813-373-11	OSCILLATOR, CRYSTAL																																																																																											
RB3205	1-234-372-21	RES, NETWORK 100	(1005X4)	X3501	1-795-739-22	CRYSTAL OSCILLATOR (SMD)																																																																																											
RB3206	1-234-372-21	RES, NETWORK 100	(1005X4)	X3601	1-795-753-21	VIBRATOR, CERAMIC																																																																																											
RB3207	1-234-372-21	RES, NETWORK 100	(1005X4)	X3602	1-781-696-21	VIBRATOR, CRYSTAL																																																																																											
RB3208	1-234-372-21	RES, NETWORK 100	(1005X4)	X3603	1-813-113-11	VIBRATOR, CRYSTAL																																																																																											
RB3301	1-234-371-21	RES, NETWORK 47	(1005X4)	X3801	1-813-095-11	VIBRATOR, CRYSTAL																																																																																											
RB3302	1-234-371-21	RES, NETWORK 47	(1005X4)	<div style="border: 1px solid black; padding: 5px; display: inline-block; margin-bottom: 10px;">T</div> <p>* A-1060-191-A T BOARD, MOUNTED</p> <p>CONNECTOR</p> <p>* CN8001 1-564-518-11 PLUG, CONNECTOR 3P</p> <p>SWITCH</p> <p>S8001 1-570-245-11 SWITCH, MICRO</p> <div style="border: 1px solid black; padding: 5px; display: inline-block; margin-bottom: 10px;">HM</div> <p>* A-1060-185-A HM BOARD, COMPLETE</p> <p>CAPACITOR</p> <table border="0"> <tr> <td>C7203</td> <td>1-162-910-11</td> <td>CERAMIC CHIP</td> <td>5pF</td> <td>0.25pF</td> <td>50V</td> </tr> <tr> <td>C7204</td> <td>1-162-911-11</td> <td>CERAMIC CHIP</td> <td>6pF</td> <td>0.50pF</td> <td>50V</td> </tr> <tr> <td>C7205</td> <td>1-162-970-11</td> <td>CERAMIC CHIP</td> <td>0.01µF</td> <td>10%</td> <td>25V</td> </tr> <tr> <td>C7206</td> <td>1-162-970-11</td> <td>CERAMIC CHIP</td> <td>0.01µF</td> <td>10%</td> <td>25V</td> </tr> <tr> <td>C7207</td> <td>1-107-826-11</td> <td>CERAMIC CHIP</td> <td>0.1µF</td> <td>10%</td> <td>16V</td> </tr> <tr> <td>C7208</td> <td>1-162-970-11</td> <td>CERAMIC CHIP</td> <td>0.01µF</td> <td>10%</td> <td>25V</td> </tr> <tr> <td>C7209</td> <td>1-125-837-91</td> <td>CERAMIC CHIP</td> <td>1µF</td> <td>10%</td> <td>6.3V</td> </tr> <tr> <td>C7210</td> <td>1-107-826-11</td> <td>CERAMIC CHIP</td> <td>0.1µF</td> <td>10%</td> <td>16V</td> </tr> <tr> <td>C7211</td> <td>1-127-760-11</td> <td>CERAMIC CHIP</td> <td>4.7µF</td> <td>10%</td> <td>6.3V</td> </tr> <tr> <td>C7212</td> <td>1-125-837-91</td> <td>CERAMIC CHIP</td> <td>1µF</td> <td>10%</td> <td>6.3V</td> </tr> <tr> <td>C7213</td> <td>1-162-970-11</td> <td>CERAMIC CHIP</td> <td>0.01µF</td> <td>10%</td> <td>25V</td> </tr> <tr> <td>C7215</td> <td>1-164-156-11</td> <td>CERAMIC CHIP</td> <td>0.1µF</td> <td></td> <td>25V</td> </tr> <tr> <td>C7216</td> <td>1-162-970-11</td> <td>CERAMIC CHIP</td> <td>0.01µF</td> <td>10%</td> <td>25V</td> </tr> <tr> <td>C7217</td> <td>1-125-837-91</td> <td>CERAMIC CHIP</td> <td>1µF</td> <td>10%</td> <td>6.3V</td> </tr> <tr> <td>C7218</td> <td>1-164-156-11</td> <td>CERAMIC CHIP</td> <td>0.1µF</td> <td></td> <td>25V</td> </tr> </table>				C7203	1-162-910-11	CERAMIC CHIP	5pF	0.25pF	50V	C7204	1-162-911-11	CERAMIC CHIP	6pF	0.50pF	50V	C7205	1-162-970-11	CERAMIC CHIP	0.01µF	10%	25V	C7206	1-162-970-11	CERAMIC CHIP	0.01µF	10%	25V	C7207	1-107-826-11	CERAMIC CHIP	0.1µF	10%	16V	C7208	1-162-970-11	CERAMIC CHIP	0.01µF	10%	25V	C7209	1-125-837-91	CERAMIC CHIP	1µF	10%	6.3V	C7210	1-107-826-11	CERAMIC CHIP	0.1µF	10%	16V	C7211	1-127-760-11	CERAMIC CHIP	4.7µF	10%	6.3V	C7212	1-125-837-91	CERAMIC CHIP	1µF	10%	6.3V	C7213	1-162-970-11	CERAMIC CHIP	0.01µF	10%	25V	C7215	1-164-156-11	CERAMIC CHIP	0.1µF		25V	C7216	1-162-970-11	CERAMIC CHIP	0.01µF	10%	25V	C7217	1-125-837-91	CERAMIC CHIP	1µF	10%	6.3V	C7218	1-164-156-11	CERAMIC CHIP	0.1µF		25V
C7203	1-162-910-11	CERAMIC CHIP	5pF					0.25pF	50V																																																																																								
C7204	1-162-911-11	CERAMIC CHIP	6pF					0.50pF	50V																																																																																								
C7205	1-162-970-11	CERAMIC CHIP	0.01µF					10%	25V																																																																																								
C7206	1-162-970-11	CERAMIC CHIP	0.01µF					10%	25V																																																																																								
C7207	1-107-826-11	CERAMIC CHIP	0.1µF					10%	16V																																																																																								
C7208	1-162-970-11	CERAMIC CHIP	0.01µF					10%	25V																																																																																								
C7209	1-125-837-91	CERAMIC CHIP	1µF					10%	6.3V																																																																																								
C7210	1-107-826-11	CERAMIC CHIP	0.1µF					10%	16V																																																																																								
C7211	1-127-760-11	CERAMIC CHIP	4.7µF					10%	6.3V																																																																																								
C7212	1-125-837-91	CERAMIC CHIP	1µF	10%	6.3V																																																																																												
C7213	1-162-970-11	CERAMIC CHIP	0.01µF	10%	25V																																																																																												
C7215	1-164-156-11	CERAMIC CHIP	0.1µF		25V																																																																																												
C7216	1-162-970-11	CERAMIC CHIP	0.01µF	10%	25V																																																																																												
C7217	1-125-837-91	CERAMIC CHIP	1µF	10%	6.3V																																																																																												
C7218	1-164-156-11	CERAMIC CHIP	0.1µF		25V																																																																																												
RB3303	1-234-371-21	RES, NETWORK 47	(1005X4)																																																																																														
RB3304	1-234-371-21	RES, NETWORK 47	(1005X4)																																																																																														
RB3305	1-234-370-21	RES, NETWORK 22	(1005X4)																																																																																														
RB3306	1-234-370-21	RES, NETWORK 22	(1005X4)																																																																																														
RB3307	1-234-370-21	RES, NETWORK 22	(1005X4)																																																																																														
RB3308	1-234-370-21	RES, NETWORK 22	(1005X4)																																																																																														
RB3309	1-234-378-21	RES, NETWORK 10K	(1005X4)																																																																																														
RB3310	1-234-378-21	RES, NETWORK 10K	(1005X4)																																																																																														
RB3311	1-234-378-21	RES, NETWORK 10K	(1005X4)																																																																																														
RB3312	1-234-378-21	RES, NETWORK 10K	(1005X4)																																																																																														
RB3313	1-234-378-21	RES, NETWORK 10K	(1005X4)																																																																																														
RB3314	1-234-378-21	RES, NETWORK 10K	(1005X4)																																																																																														
RB3315	1-234-702-11	RES, NETWORK 68	(1005X4)																																																																																														
RB3316	1-234-702-11	RES, NETWORK 68	(1005X4)																																																																																														
RB3501	1-234-371-21	RES, NETWORK 47	(1005X4)																																																																																														
RB3502	1-234-371-21	RES, NETWORK 47	(1005X4)																																																																																														
RB3503	1-234-371-21	RES, NETWORK 47	(1005X4)																																																																																														
RB3504	1-234-371-21	RES, NETWORK 47	(1005X4)																																																																																														
RB3505	1-234-371-21	RES, NETWORK 47	(1005X4)																																																																																														
RB3506	1-234-371-21	RES, NETWORK 47	(1005X4)																																																																																														
RB3507	1-234-371-21	RES, NETWORK 47	(1005X4)																																																																																														
RB3508	1-234-702-11	RES, NETWORK 68	(1005X4)																																																																																														
RB3509	1-234-702-11	RES, NETWORK 68	(1005X4)																																																																																														
RB3510	1-234-702-11	RES, NETWORK 68	(1005X4)																																																																																														
RB3511	1-234-702-11	RES, NETWORK 68	(1005X4)																																																																																														
RB3512	1-234-702-11	RES, NETWORK 68	(1005X4)																																																																																														
RB3513	1-234-702-11	RES, NETWORK 68	(1005X4)																																																																																														
RB3601	1-234-378-21	RES, NETWORK 10K	(1005X4)																																																																																														
RB3602	1-234-371-21	RES, NETWORK 47	(1005X4)																																																																																														
RB3603	1-234-371-21	RES, NETWORK 47	(1005X4)																																																																																														
RB3604	1-234-371-21	RES, NETWORK 47	(1005X4)																																																																																														
RB3605	1-234-371-21	RES, NETWORK 47	(1005X4)																																																																																														
RB3606	1-234-371-21	RES, NETWORK 47	(1005X4)																																																																																														





REF. NO.	PART NO.	DESCRIPTION	VALUES	REF. NO.	PART NO.	DESCRIPTION	VALUES
C7219	1-164-156-11	CERAMIC CHIP	0.1μF 25V	R7204	1-216-809-11	METAL CHIP	100 5% 1/10W
C7220	1-164-156-11	CERAMIC CHIP	0.1μF 25V	R7205	1-216-864-11	SHORT CHIP	
C7221	1-164-156-11	CERAMIC CHIP	0.1μF 25V	R7206	1-216-857-11	METAL CHIP	1M 5% 1/10W
C7224	1-164-156-11	CERAMIC CHIP	0.1μF 25V	R7209	1-414-228-11	FERRITE	0μH
C7301	1-162-974-11	CERAMIC CHIP	0.01μF 50V	R7210	1-216-803-11	METAL CHIP	33 5% 1/10W
CONNECTOR				R7211	1-216-821-11	METAL CHIP	1K 5% 1/10W
* CN7201	1-784-010-11	CONNECTOR, USB (B)		R7212	1-216-803-11	METAL CHIP	33 5% 1/10W
CN7204	1-817-653-11	MEMORY STICK CONNECTOR		R7214	1-216-823-11	METAL CHIP	1.5K 5% 1/10W
* CN7301	1-564-506-11	PLUG, CONNECTOR	3P	R7215	1-414-228-11	FERRITE	0μH
DIODE				R7216	1-216-821-11	METAL CHIP	1K 5% 1/10W
D7201	8-719-800-76	DIODE	1SS226	R7217	1-216-821-11	METAL CHIP	1K 5% 1/10W
D7202	8-719-083-58	DIODE	UDZSTE-173.9B	R7218	1-216-829-11	METAL CHIP	4.7K 5% 1/10W
D7210	6-500-182-01	DIODE	L-1503CB/1ID-F01	R7219	1-216-817-11	METAL CHIP	470 5% 1/10W
D7212	8-719-083-58	DIODE	UDZSTE-173.9B	R7221	1-216-821-11	METAL CHIP	1K 5% 1/10W
FERRITE BEAD				R7222	1-216-809-11	METAL CHIP	100 5% 1/10W
FB7201	1-414-921-11	FERRITE	0μH	R7223	1-216-809-11	METAL CHIP	100 5% 1/10W
FB7202	1-414-921-11	FERRITE	0μH	R7224	1-216-809-11	METAL CHIP	100 5% 1/10W
FB7203	1-414-921-11	FERRITE	0μH	R7225	1-216-809-11	METAL CHIP	100 5% 1/10W
IC				R7226	1-216-864-11	SHORT CHIP	
IC7201	6-703-076-01	IC	XC6204B332MR	R7227	1-216-864-11	SHORT CHIP	
IC7202	6-704-548-01	IC	90C36LC1B-LF	R7228	1-216-864-11	SHORT CHIP	
IC7203	6-704-067-01	IC	M24128-BWMN6T(A)	R7229	1-216-821-11	METAL CHIP	1K 5% 1/10W
COIL				R7231	1-216-825-11	METAL CHIP	2.2K 5% 1/10W
L7201	1-414-394-11	INDUCTOR	2.2μH	R7234	1-216-809-11	METAL CHIP	100 5% 1/10W
TRANSISTOR				SWITCH			
Q7201	8-729-424-02	TRANSISTOR	2SB709A-QRS-TX	S7301	1-692-431-21	SWITCH, TACTILE	
Q7202	8-729-422-27	TRANSISTOR	2SD601A-Q	CRYSTAL			
RESISTOR				X7201	1-760-965-21	VIBRATOR, CRYSTAL	
R7201	1-216-864-11	SHORT CHIP		H2			
R7202	1-414-228-11	FERRITE	0μH	* A-1054-672-A	H2 BOARD, MOUNTED		
R7203	1-216-837-11	METAL CHIP	22K 5% 1/10W	CAPACITOR			
				C172	1-164-156-11	CERAMIC CHIP	0.1μF 25V
				C173	1-127-692-11	CERAMIC CHIP	10μF 10% 16V
				C4503	1-162-974-11	CERAMIC CHIP	0.01μF 50V
				C4504	1-107-826-11	CERAMIC CHIP	0.1μF 10% 16V
				C4506	1-162-974-11	CERAMIC CHIP	0.01μF 50V

H2	H1	H3
----	----	----

REF. NO.	PART NO.	DESCRIPTION	VALUES	REF. NO.	PART NO.	DESCRIPTION	VALUES
C4507	1-162-974-11	CERAMIC CHIP	0.01μF	50V	H1		
C4508	1-162-974-11	CERAMIC CHIP	0.01μF	50V			
CONNECTOR						* A-1054-671-A	H1 BOARD, MOUNTED
CN4502	1-770-626-21	PIN, CONNECTOR	9P	CAPACITOR			
DIODE						C171	1-100-597-91 CERAMIC CHIP 0.1μF 10% 25V
D4503	8-719-078-28	DIODE	SML-010LT-T86	CONNECTOR			
D4504	8-719-067-82	DIODE	SML-020MLTT86			CN171	1-580-057-11 PIN, CONNECTOR (SMD) 4P
D4510	8-719-078-28	DIODE	SML-010LT-T86	DIODE			
IC						D171	8-719-069-55 DIODE UDZSTE-175.6B
IC171	6-600-210-01	IC	RPM7240-H8	RESISTOR			
IC172	6-706-481-01	IC	TC7SET32FU(T5RSOJF)			R171	1-218-684-11 METAL CHIP 470 0.50% 1/10W
TRANSISTOR						R172	1-218-688-11 METAL CHIP 680 0.50% 1/10W
Q4503	8-729-422-33	TRANSISTOR	2SD601A-Q-TX			R173	1-218-692-11 METAL CHIP 1K 0.50% 1/10W
Q4504	8-729-422-33	TRANSISTOR	2SD601A-Q-TX			R174	1-218-700-11 METAL CHIP 2.2K 0.50% 1/10W
Q4508	1-801-806-11	TRANSISTOR	DTC144EKA	SWITCH			
Q4509	1-801-806-11	TRANSISTOR	DTC144EKA			S171	1-762-196-21 SWITCH, TACTILE
Q4510	8-729-027-23	TRANSISTOR	DTA114EKA-T146			S172	1-762-196-21 SWITCH, TACTILE
Q4511	8-729-027-23	TRANSISTOR	DTA114EKA-T146			S173	1-762-196-21 SWITCH, TACTILE
RESISTOR						S174	1-762-196-21 SWITCH, TACTILE
R175	1-216-805-11	METAL CHIP	47	5%	1/10W	S175	1-762-196-21 SWITCH, TACTILE
R176	1-216-837-11	METAL CHIP	22K	5%	1/10W	VARISTOR	
R4502	1-216-813-11	METAL CHIP	220	5%	1/10W		
R4504	1-216-809-11	METAL CHIP	100	5%	1/10W	VD171	1-803-974-21 VARISTOR, CHIP (1608)
R4505	1-216-864-11	SHORT CHIP				H3	
R4506	1-216-833-11	METAL CHIP	10K	5%	1/10W		
R4509	1-216-813-11	METAL CHIP	220	5%	1/10W	* A-1054-673-A H3 BOARD, MOUNTED	
R4512	1-216-813-11	METAL CHIP	220	5%	1/10W	CAPACITOR	
R4513	1-216-833-11	METAL CHIP	10K	5%	1/10W		
R4514	1-216-864-11	SHORT CHIP				C41	1-162-964-11 CERAMIC CHIP 0.001μF 10% 50V
R4515	1-216-864-11	SHORT CHIP				C42	1-162-964-11 CERAMIC CHIP 0.001μF 10% 50V
R4516	1-216-813-11	METAL CHIP	220	5%	1/10W	C50	1-126-964-11 ELECT 10μF 20% 50V
R4517	1-216-833-11	METAL CHIP	10K	5%	1/10W		
R4518	1-216-833-11	METAL CHIP	10K	5%	1/10W		

H3

REF. NO.	PART NO.	DESCRIPTION	VALUES			REF. NO.	PART NO.	DESCRIPTION	VALUES
C51	1-126-964-11	ELECT	10 μ F	20%	50V				
C52	1-126-964-11	ELECT	10 μ F	20%	50V				
C53	1-126-964-11	ELECT	10 μ F	20%	50V				
C70	1-162-974-11	CERAMIC CHIP	0.01 μ F		50V				
C72	1-115-156-11	CERAMIC CHIP	1 μ F		10V				
C77	1-162-970-11	CERAMIC CHIP	0.01 μ F	10%	25V				
		CONNECTOR							
CN43	1-564-528-11	PLUG, CONNECTOR			13P				
		JACK							
J40	1-818-765-11	S TERMINAL CONNECTOR							
* J41	1-818-768-11	JACK, PIN			3P				
		RESISTOR							
R41	1-216-864-11	SHORT CHIP							
R42	1-216-864-11	SHORT CHIP							
R43	1-216-821-11	METAL CHIP	1K	5%	1/10W				
R44	1-216-821-11	METAL CHIP	1K	5%	1/10W				
R45	1-216-864-11	SHORT CHIP							
R46	1-216-849-11	METAL CHIP	220K	5%	1/10W				
R47	1-216-849-11	METAL CHIP	220K	5%	1/10W				
R48	1-218-665-11	METAL CHIP	75	0.50%	1/10W				
R50	1-218-665-11	METAL CHIP	75	0.50%	1/10W				
R59	1-216-864-11	SHORT CHIP							
R60	1-216-864-11	SHORT CHIP							
R75	1-216-821-11	METAL CHIP	1K	5%	1/10W				
R89	1-218-665-11	METAL CHIP	75	0.50%	1/10W				
		VARISTOR							
VD40	1-803-974-21	VARISTOR, CHIP	(1608)						
VD41	1-803-974-21	VARISTOR, CHIP	(1608)						
VD42	1-803-974-21	VARISTOR, CHIP	(1608)						
VD43	1-803-974-21	VARISTOR, CHIP	(1608)						
VD44	1-803-974-21	VARISTOR, CHIP	(1608)						
		MISCELLANEOUS							
						*	4-098-165-01	CLAMPER	
						*	4-662-796-01	CLIP, COACHING	
							4-035-160-01	PURSE LOCK (S) (DIA. 12)	
						*	4-091-379-11	SPACER, ROCKING CARD	
							4-078-622-02	TAPE (C), PE	
							7-600-004-25	TAPE,ACETATE (NO.5) 25X20M BLK	
							3-701-810-71	SCREW, TERMINAL	
							4-084-345-01	(+P) TAPPING SCREW B-O (W)	
							4-319-520-11	SCREW, SPECIAL (+PW4X30)	
							7-621-555-50	SCREW +K 2X8	
							7-623-210-22	SW 4,TYPE 2	
							7-681-000-00	SCREW +PWH M2X5	
							7-682-148-09	SCREW +P 3X8	
							7-682-660-09	SCREW +PS 4X6	
							7-684-024-04	SCREW N 4, TYPE 2	
							7-685-146-11	SCREW +P 3X8 TYPE2 NON-SLIT	
							7-685-646-79	SCREW +BVTP 3X8 TYPE2 IT-3	
							7-685-647-79	SCREW +BVTP 3X10 TYPE2 IT-3	
							7-685-661-14	SCREW +BVTP 4X12 TYPE2 IT-3	
							7-685-664-79	SCREW +BVTP 4X20 TYPE2 IT-3	
							7-685-903-21	SCREW +PTPWH 3X8 (TYPE2)	
							7-685-904-21	SCREW +PTPWH 4X10 TYPE 2	
							4-382-854-01	SCREW (M3X8), P, SW (+)	
							1-519-775-11	LAMP	
							3-650-537-01	WASHER	

REF. NO.	PART NO.	DESCRIPTION	VALUES	REF. NO.	PART NO.	DESCRIPTION	VALUES
<u>PACKING AND ACCESSORIES</u>				<u>REMOTE COMMANDER</u>			
*	4-041-426-01	BAG, PROTECTION (KDF-55WF655 ONLY)		1-478-918-11		REMOTE COMMANDER (RM-Y915)	
*	4-097-659-01	BAG, PROTECTION (KDF-60WF655 ONLY)		3-072-138-01		BATTERY COVER (FOR RM-Y915)	
*	2-023-276-01	CUSHION (LOWER) (KDF-55WF655 ONLY)					
*	2-023-606-01	CUSHION (LOWER) (KDF-60WF655 ONLY)					
*	2-023-275-01	CUSHION (UPPER) (KDF-55WF655 ONLY)					
*	2-023-605-01	CUSHION (UPPER) (KDF-60WF655 ONLY)					
	2-059-371-12	GUIDE, QUICK START					
	2-059-371-21	GUIDE, QUICK START					
	2-059-371-31	GUIDE, QUICK START					
*	2-023-271-01	INDIVIDUAL CARTON (KDF-55WF655 ONLY)					
*	2-023-601-01	INDIVIDUAL CARTON (KDF-60WF655 ONLY)					
	2-059-370-12	MANUAL, INSTRUCTION					
	2-059-370-21	MANUAL, INSTRUCTION					
	2-059-370-31	MANUAL, INSTRUCTION					
*	1-417-507-11	POD-HOST CERT,D-CABLE READY					
*	2-348-100-01	SHEET, PROTECTION					
*	4-097-660-01	SHEET, PROTECTION					

- ☛ *In an effort to reduce the size of this pdf file the tiled schematics are not attached to this Service Manual. To receive a complete set of the tiled schematics for this manual please submit a request to the Service Promotion Department at Service_Promotion@am.sony.com.*