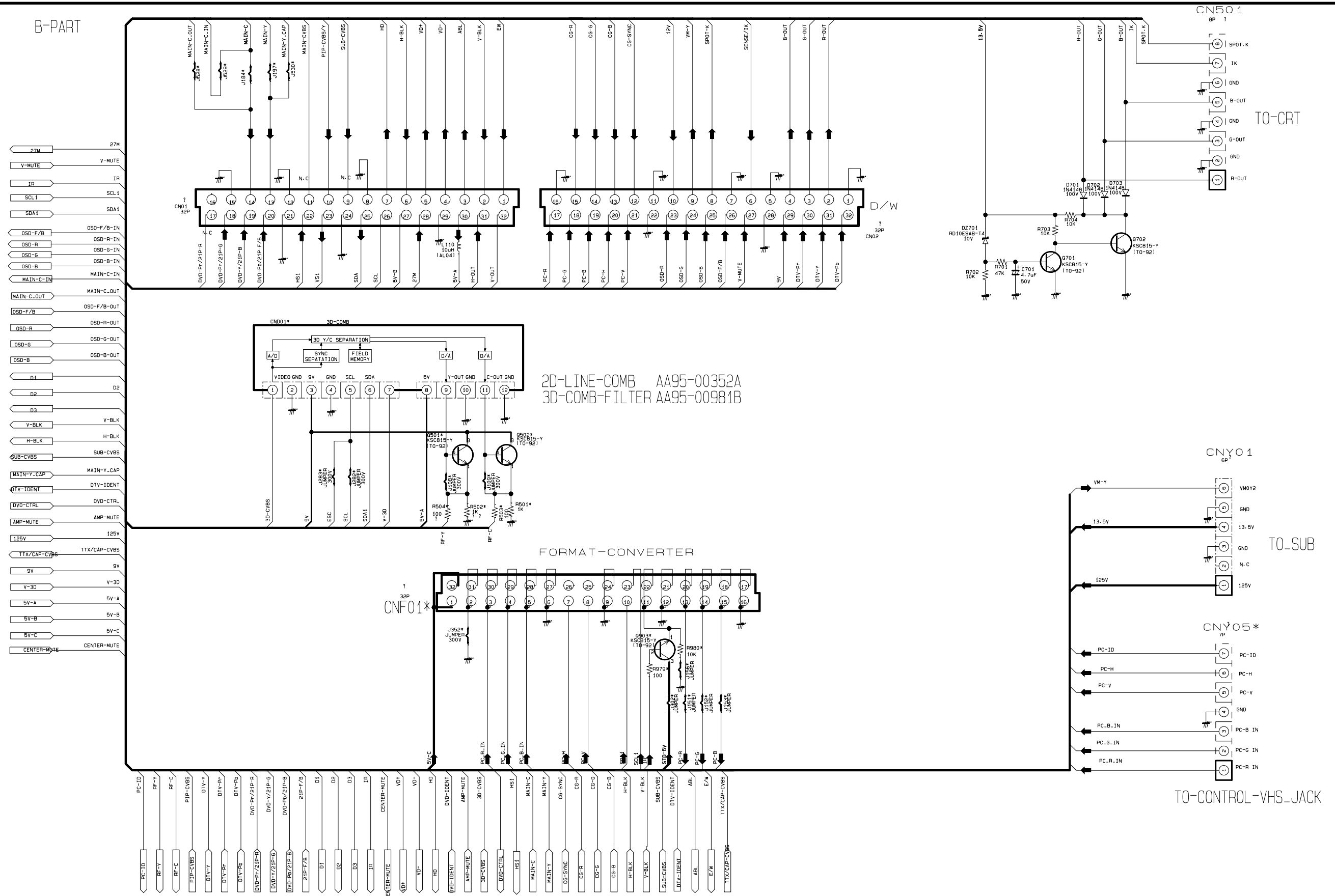


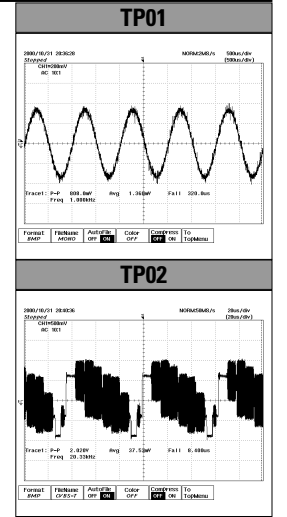
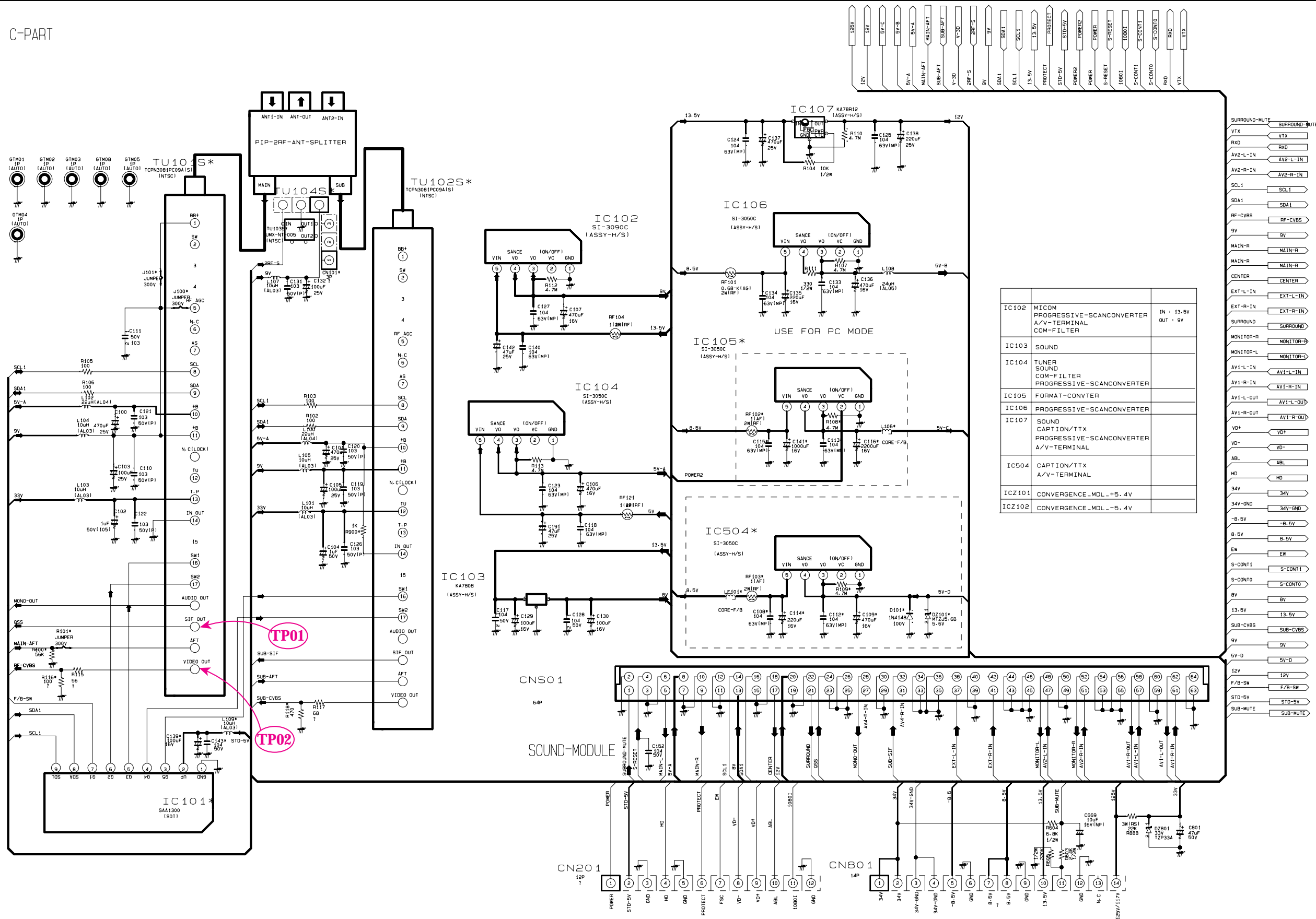


10-2 MAIN 2



10-3 MAIN 3

C-PART

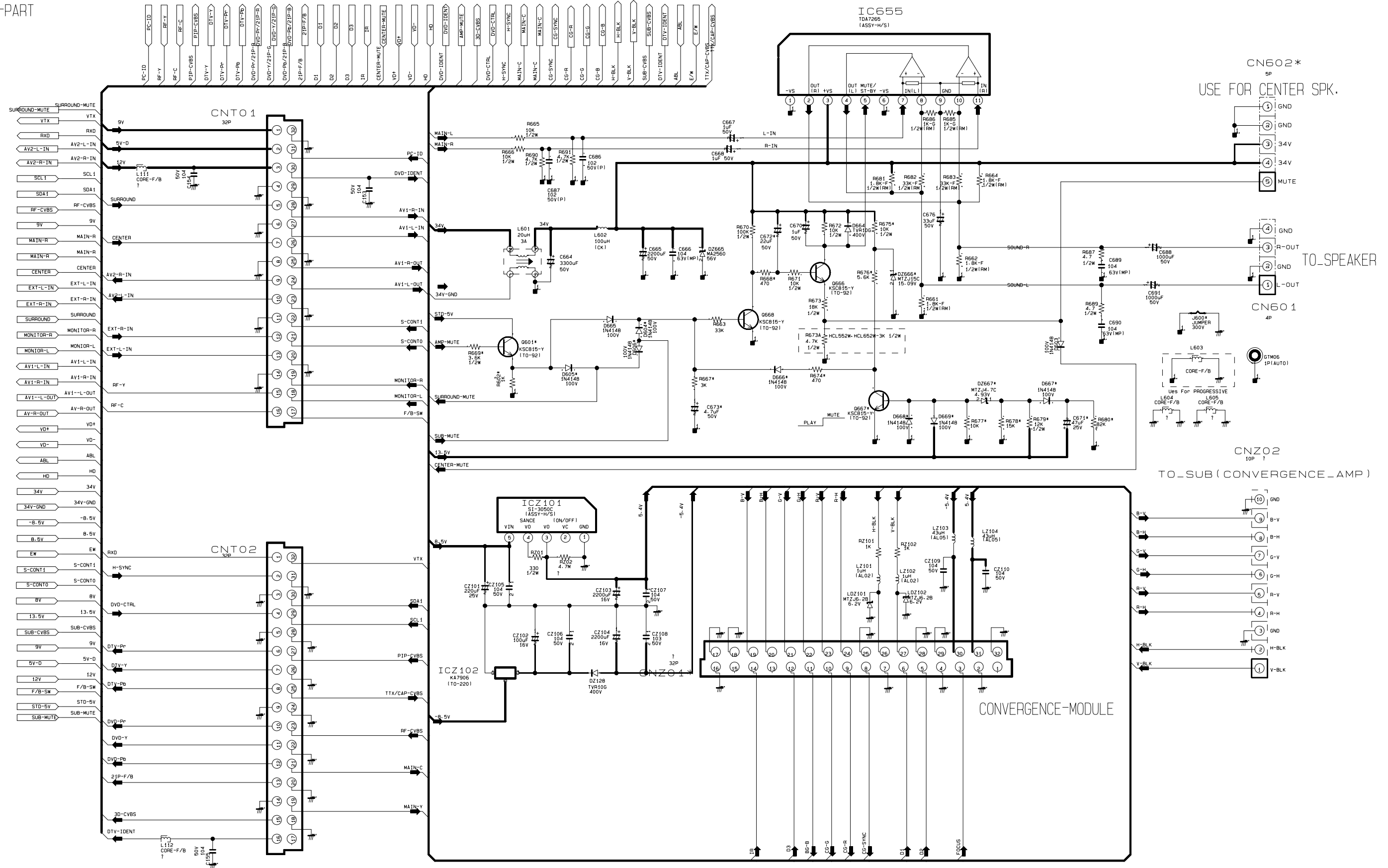


IC102	MICOM PROGRESSIVE-SCANCONVERTER A/V-TERMINAL COM-FILTER	IN : 13.5V OUT : 9V
IC103	SOUND	
IC104	TUNER SOUND COM-FILTER PROGRESSIVE-SCANCONVERTER	
IC105	FORMAT-CONVERTER	
IC106	PROGRESSIVE-SCANCONVERTER	
IC107	SOUND CAPTION/TTX PROGRESSIVE-SCANCONVERTER A/V-TERMINAL	
IC504	CAPTION/TTX A/V-TERMINAL	
ICZ101	CONVERGENCE_MDL_+5.4V	
ICZ102	CONVERGENCE_MDL_-5.4V	

- SURROUND-MUTE
- YTX
- RXD
- AV2-L-IN
- AV2-R-IN
- SCL1
- SDA1
- RF-CVBS
- 9V
- MAIN-R
- MAIN-L
- CENTER
- EXT-L-IN
- EXT-R-IN
- SURROUND
- MONITOR-R
- MONITOR-L
- AV1-L-IN
- AV1-R-IN
- AV1-L-OUT
- AV1-R-OUT
- VD+
- VD-
- ABL
- HD
- 34V
- 34V-GND
- B.5V
- B.5V
- EM
- S-CONT1
- S-CONT0
- 9V
- 5V-D
- 12V
- F/B-SW
- STD-5V
- SUB-MUTE

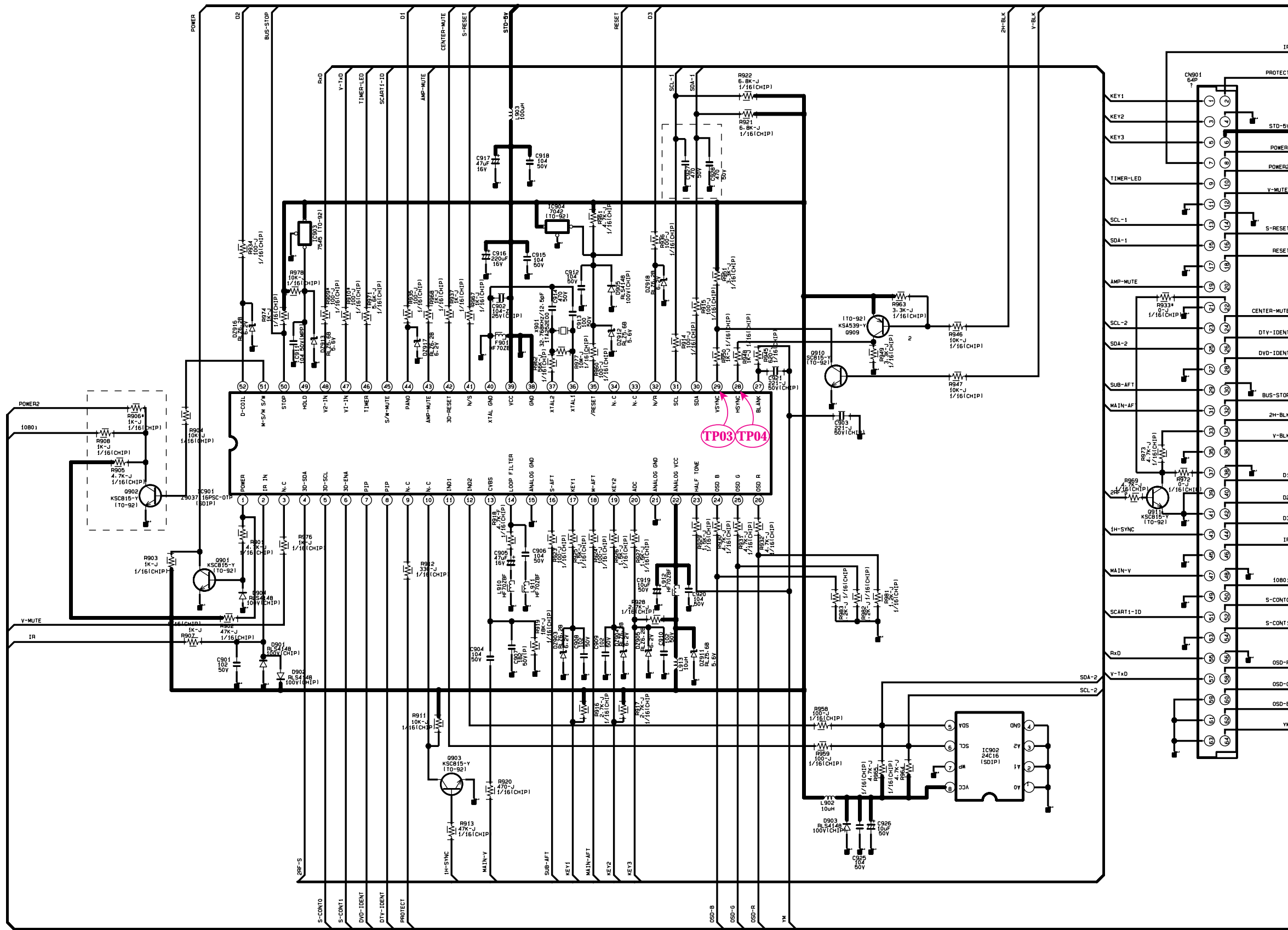
10-4 MAIN 4

D-PART

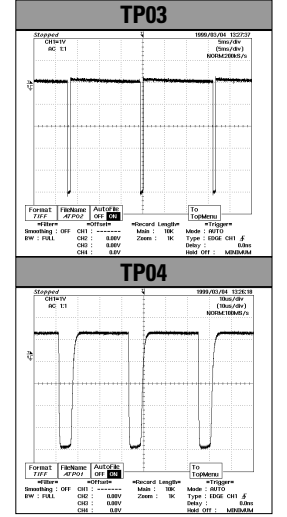




10-5 MICOM

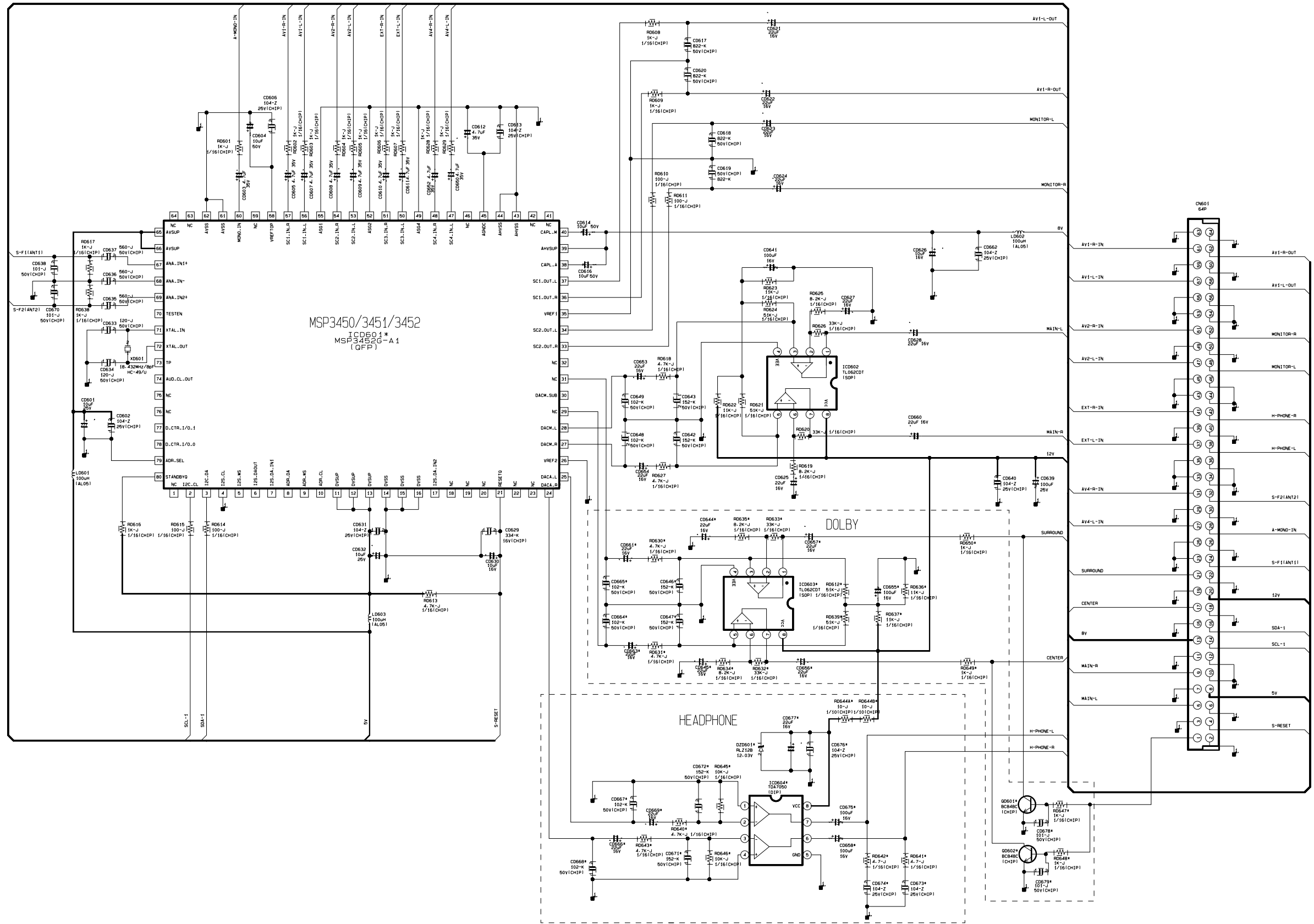


TP03 TP04

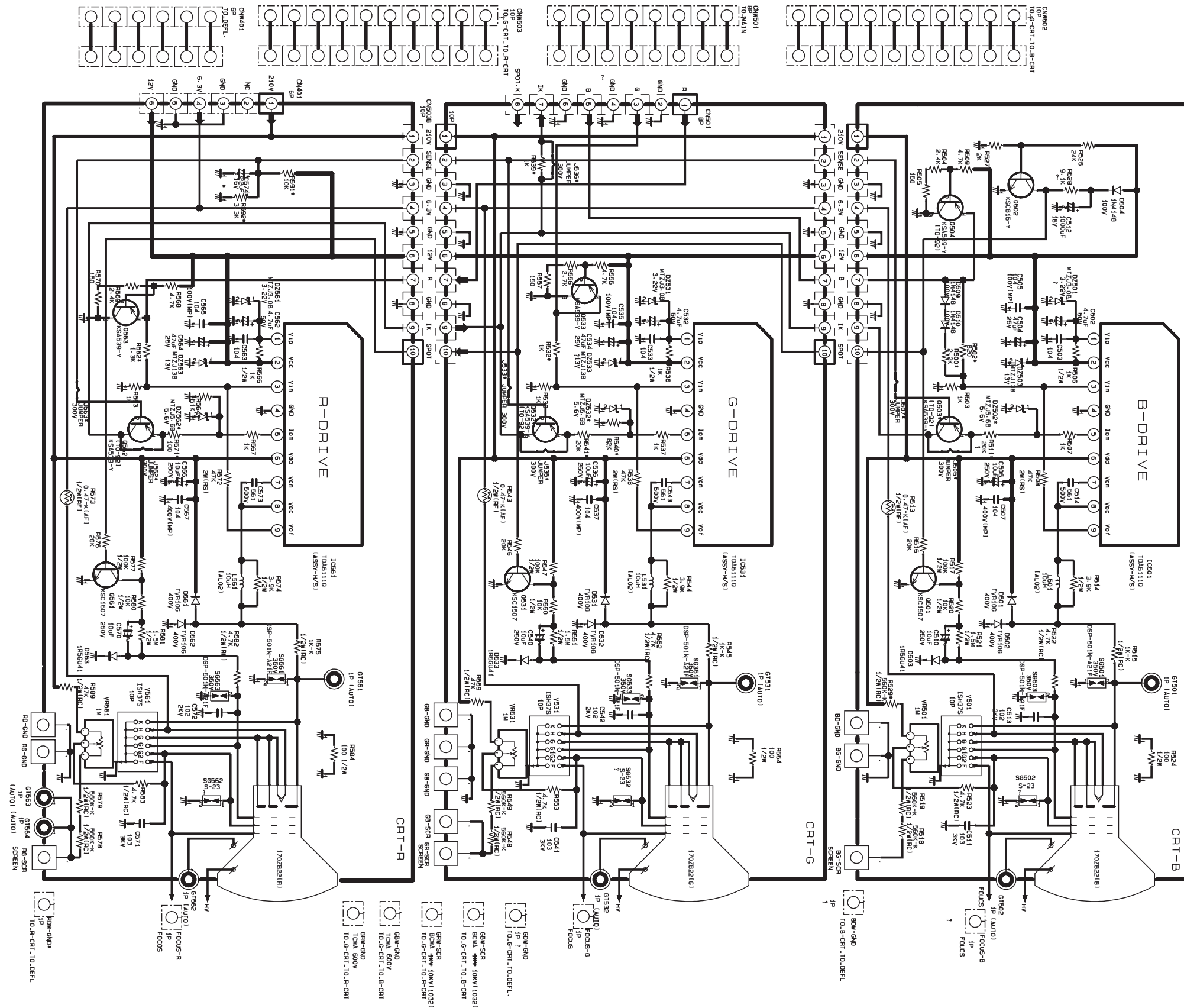




10-7 SOUND

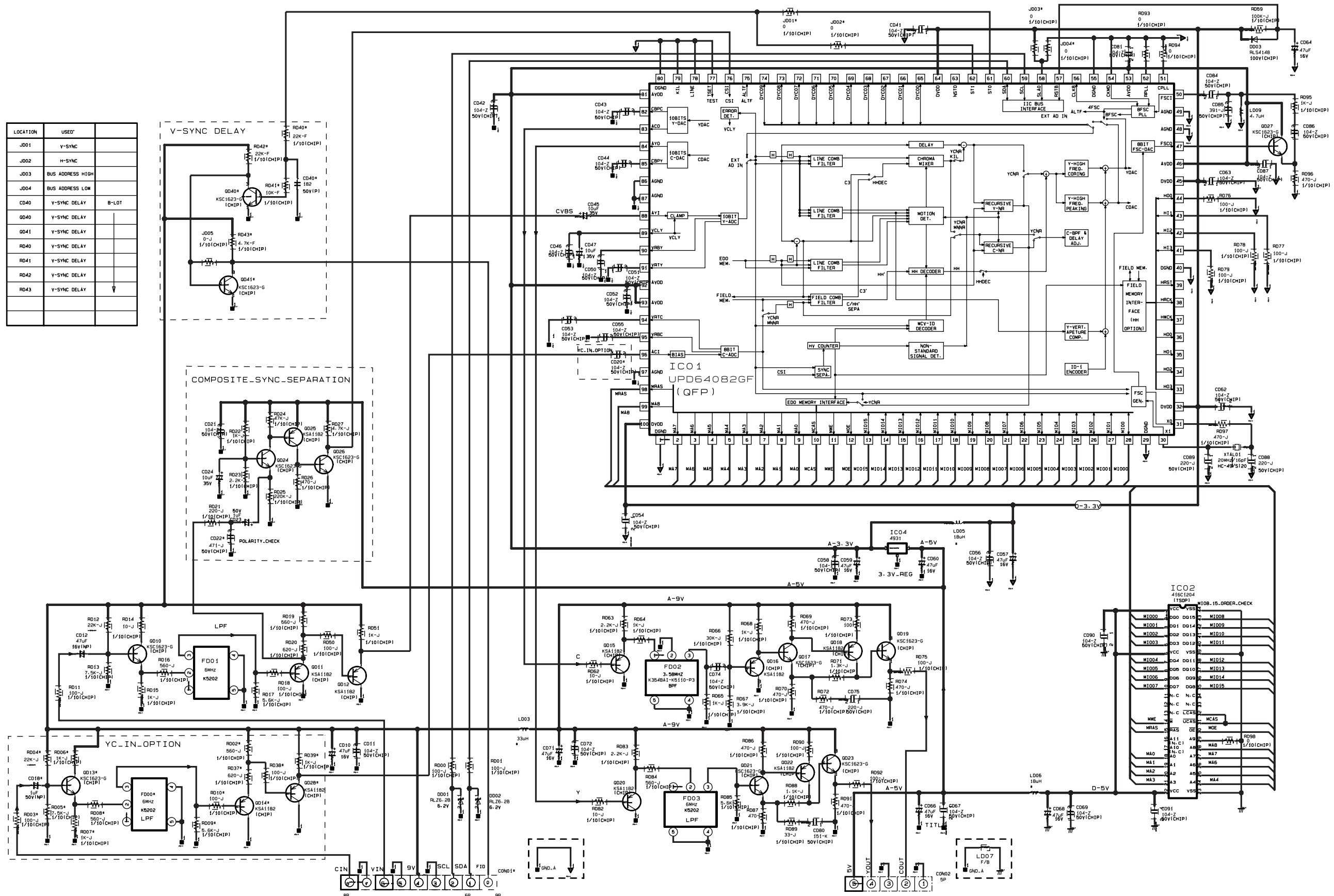


# 10-8 CRT



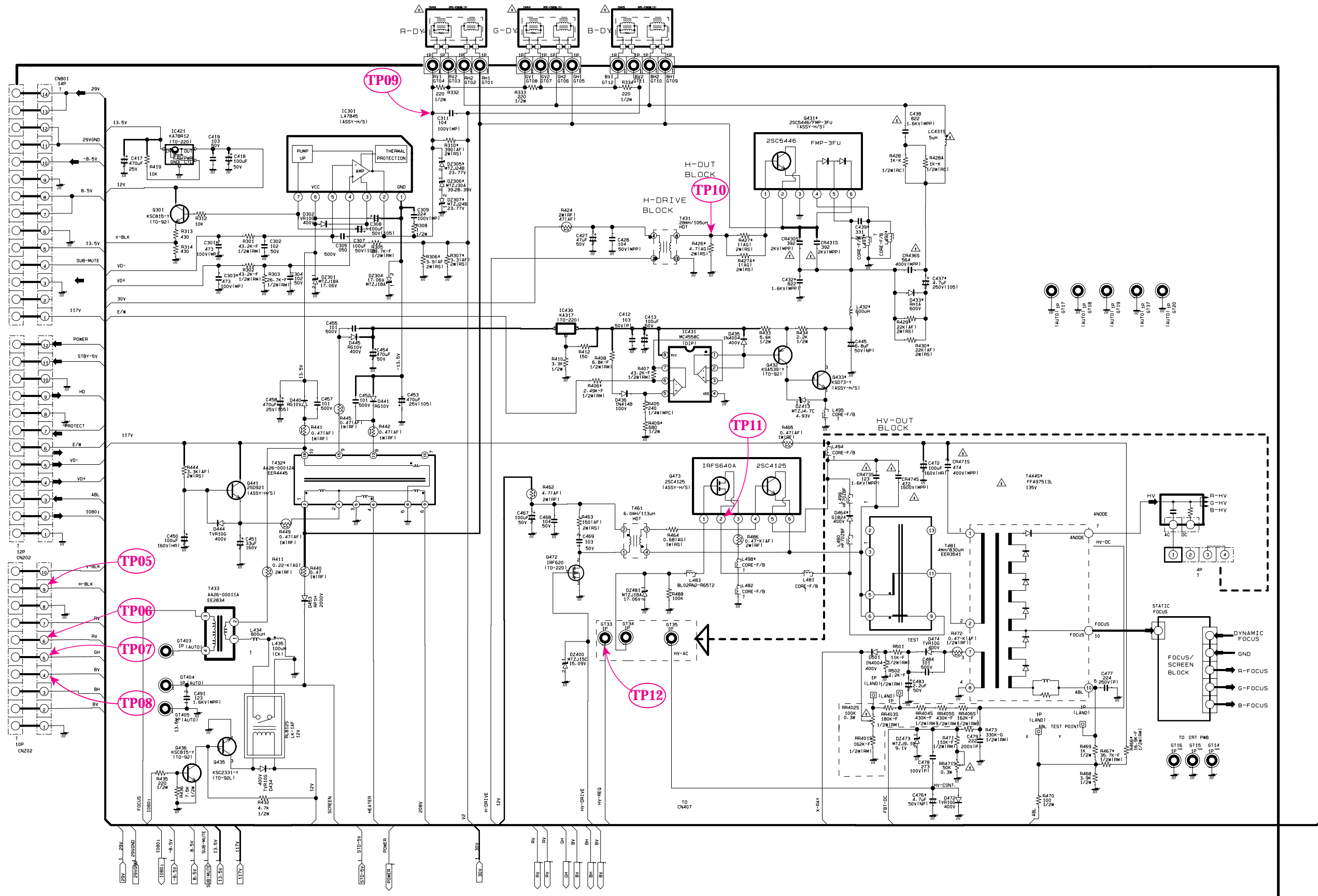
LOC	J51A	J51B
C574	DELETE	22uF .16V
J535	JUMPER	DELETE
J536	JUMPER	DELETE
J552	JUMPER	DELETE
O503	DELETE	KSA539
O532	DELETE	KSA539
O562	DELETE	KSA539
R539	DELETE	1K .1/BW
DZ502	MTZ5.6B	DELETE
R511	20K .1/BW	JUMPER
J505	JUMPER	DELETE
J507	DELETE	JUMPER
R540	82K .1/BW	DELETE
DZ532	MTZ5.6B	DELETE
J533	DELETE	JUMPER
R571	100 .1/BW	JUMPER
R564	51K .1/BW	DELETE
DZ562	MTZ5.6B	DELETE
J563	DELETE	JUMPER
R591	DELETE	10K .1/BW
R592	DELETE	3.3K .1/BW
R502	910 .1/BW	1K .1/BW
R532	820 .1/BW	1K .1/BW
R500	2.2K .1/BW	1.2K .1/BW
R529	560K .1/2W	47K .1/2W

10-9 3D COMB

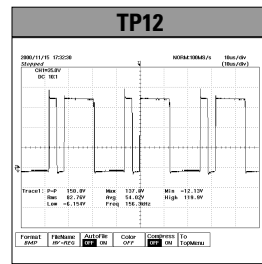
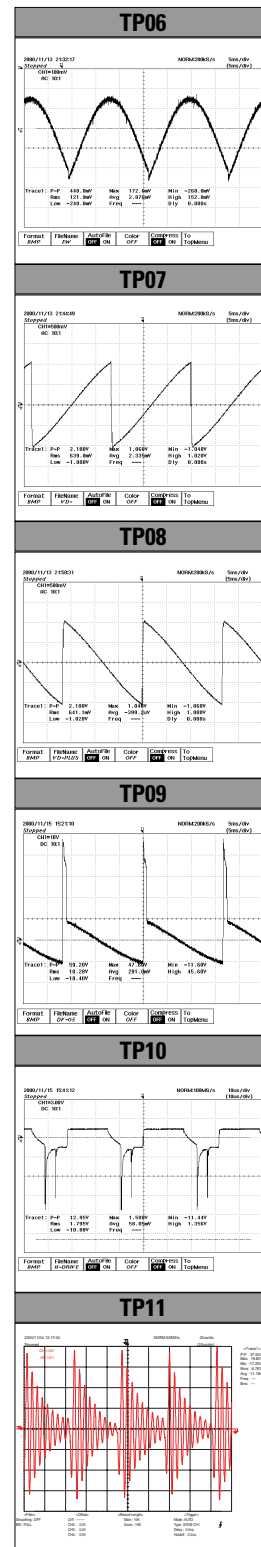




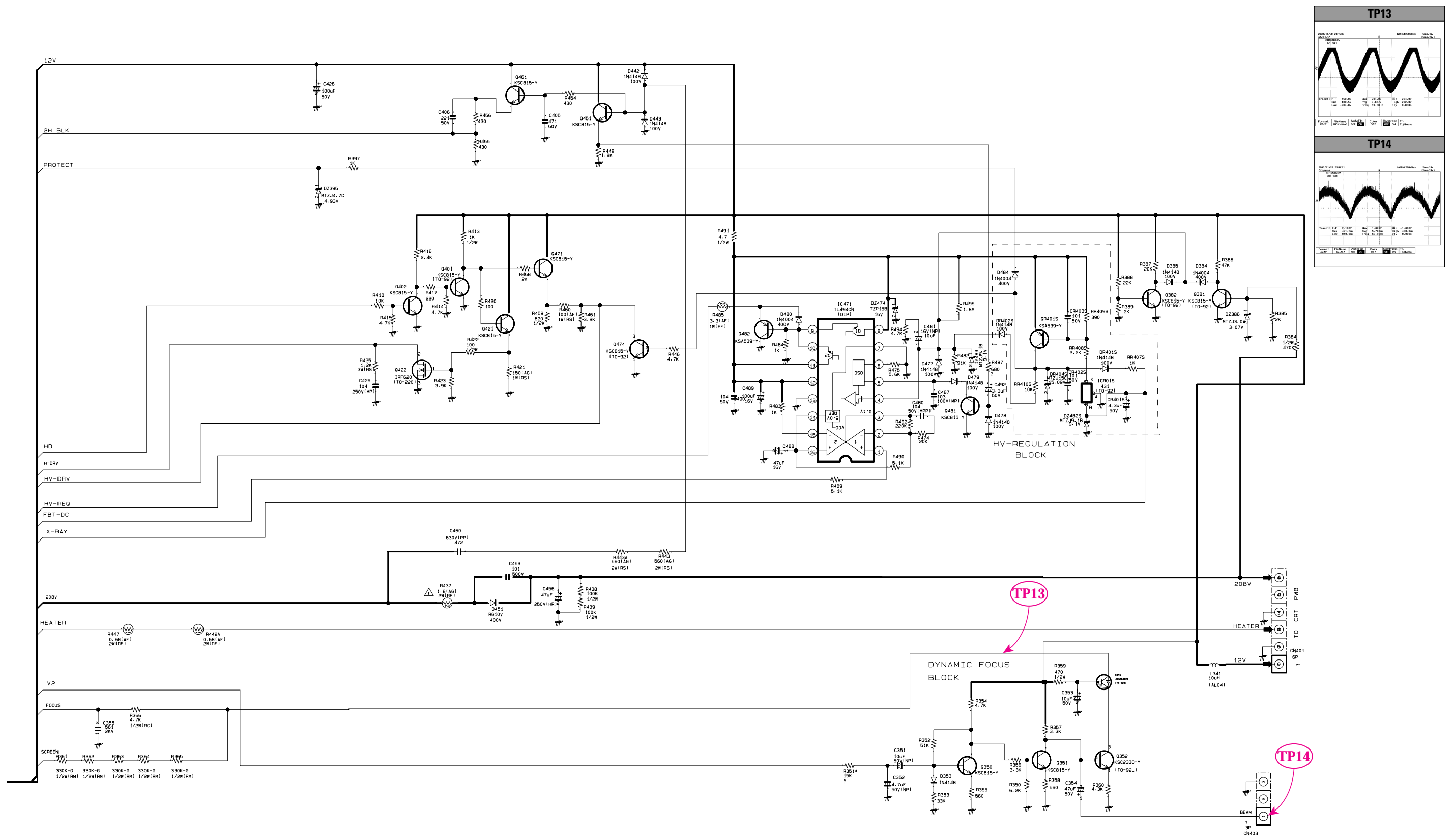
**10-10 SUB 1**



10-10-1 SUB 1 WAVEFORMS

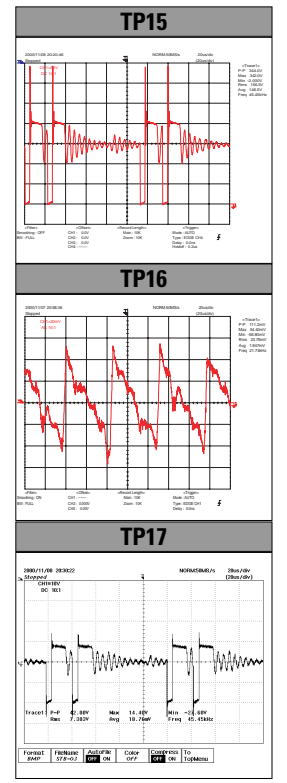
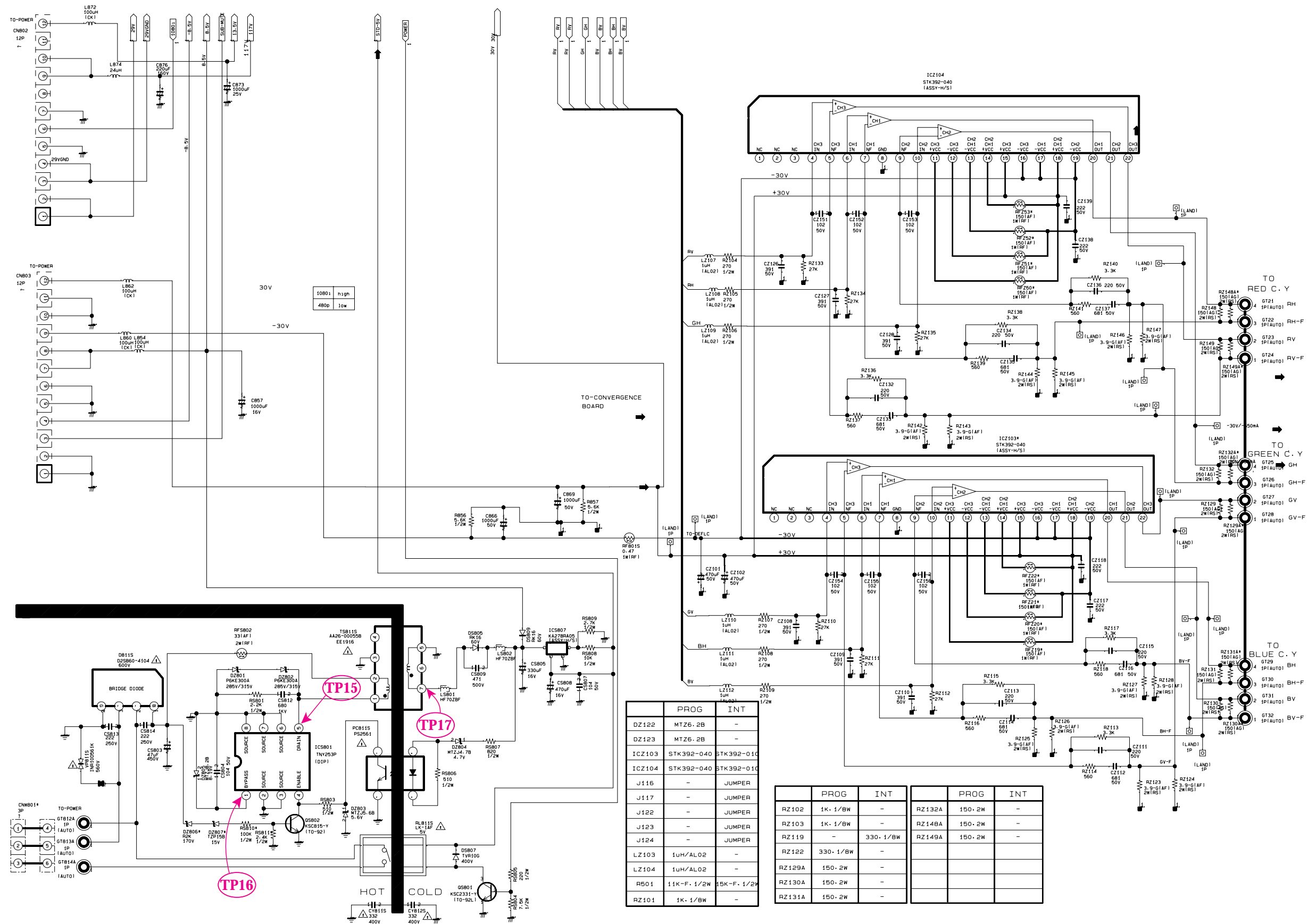


10-11 SUB 2





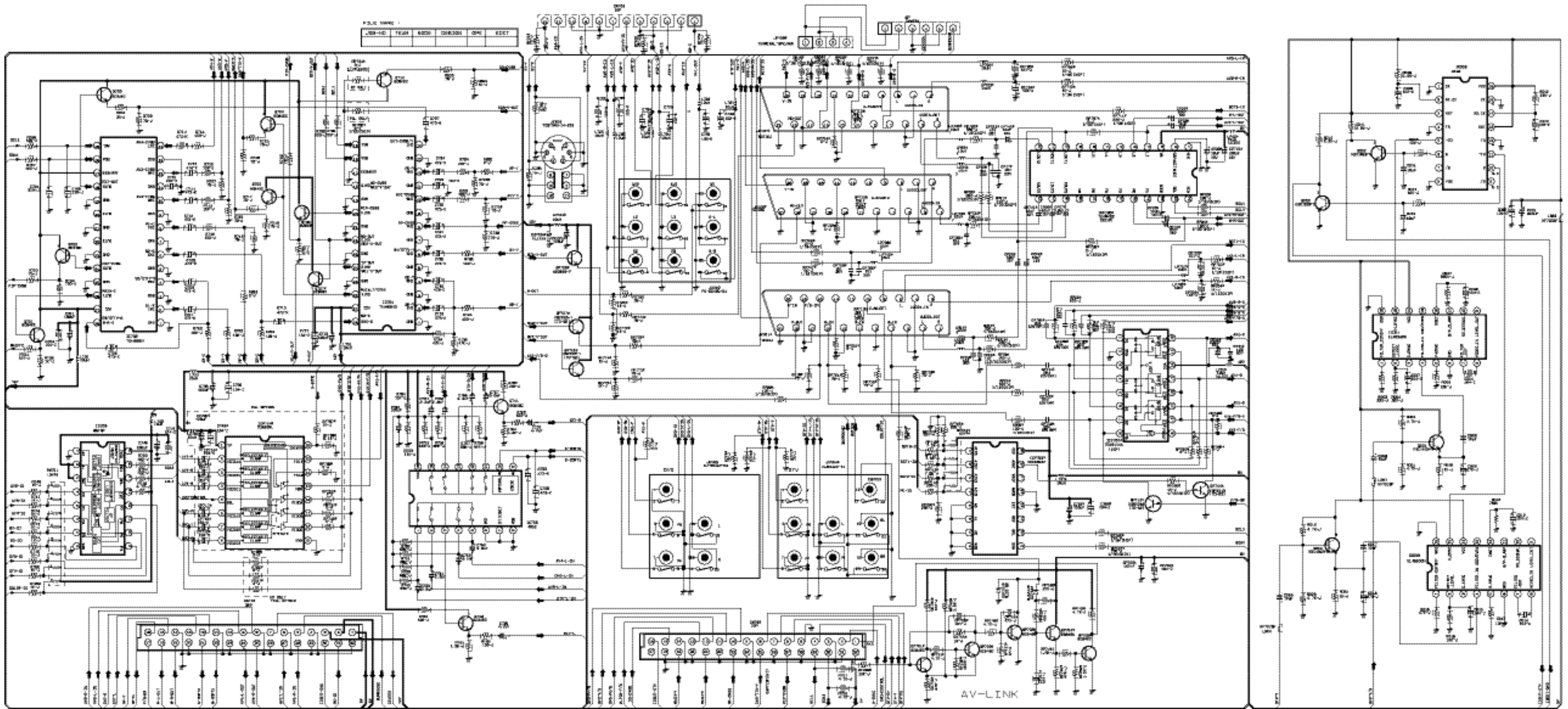
10-12 SUB 3



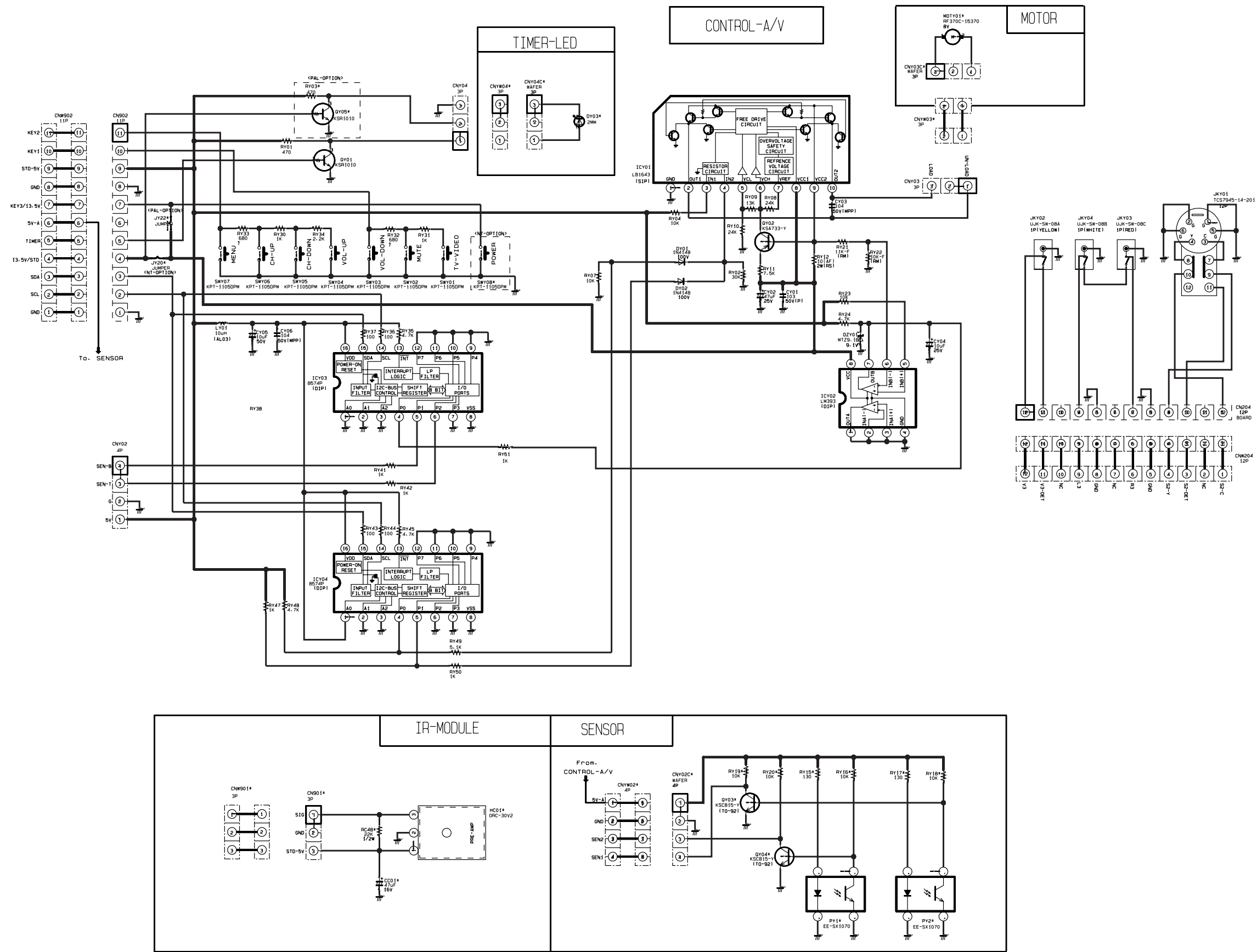
	PROG	INT
DZ122	MTZ6.2B	-
DZ123	MTZ6.2B	-
ICZ103	STK392-040	STK392-040
ICZ104	STK392-040	STK392-040
J116	-	JUMPER
J117	-	JUMPER
J122	-	JUMPER
J123	-	JUMPER
J124	-	JUMPER
LZ103	1uH/AL02	-
LZ104	1uH/AL02	-
R501	11K-F. 1/2W	15K-F. 1/2W
RZ101	1K. 1/BW	-

	PROG	INT	PROG	INT
RZ102	1K. 1/BW	-	RZ132A	150. 2W
RZ103	1K. 1/BW	-	RZ148A	150. 2W
RZ119	-	330. 1/BW	RZ149A	150. 2W
RZ122	330. 1/BW	-		
RZ129A	150. 2W	-		
RZ130A	150. 2W	-		
RZ131A	150. 2W	-		

### 10-13 A/V TERMINAL

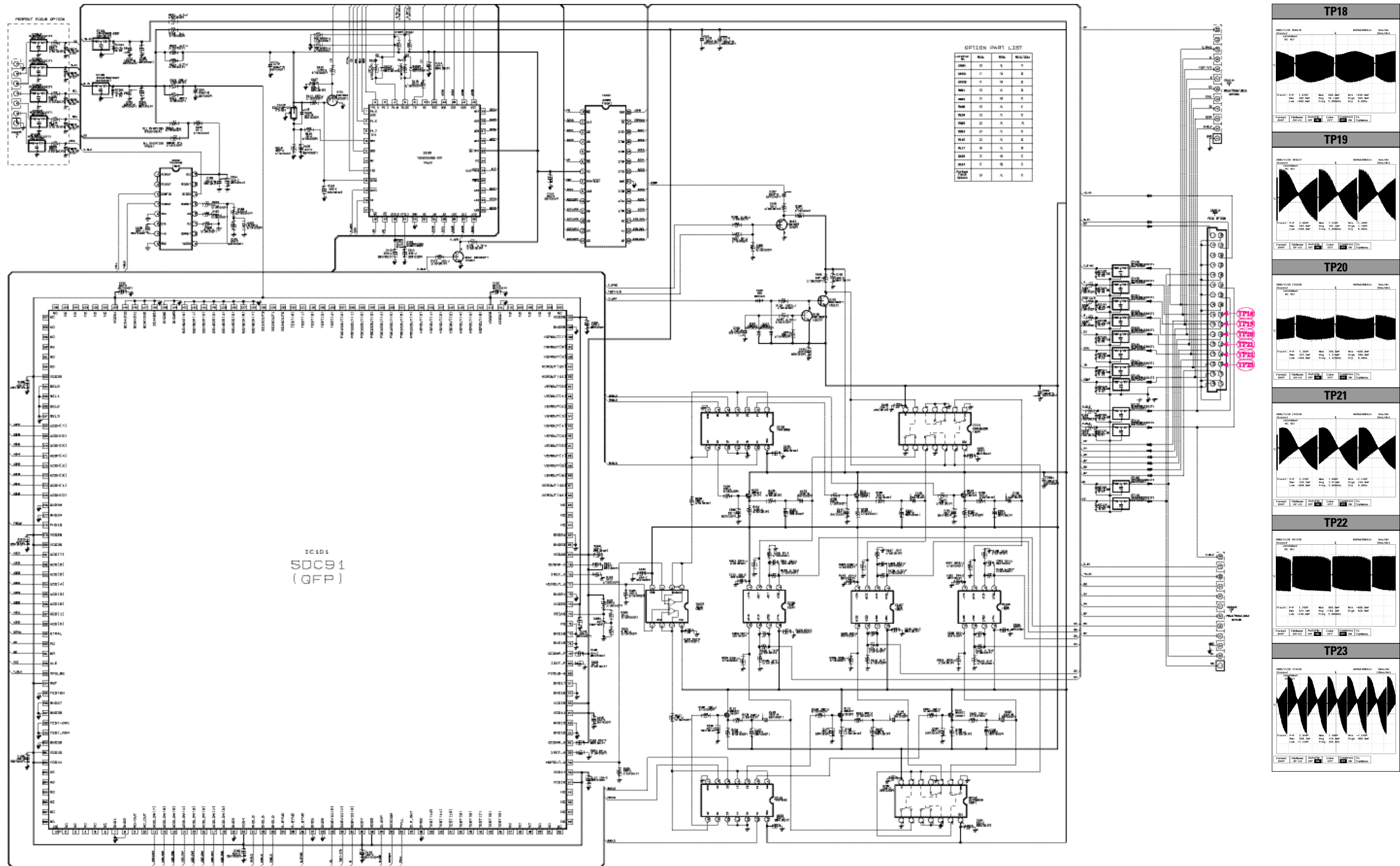


10-14 AV CONTROL

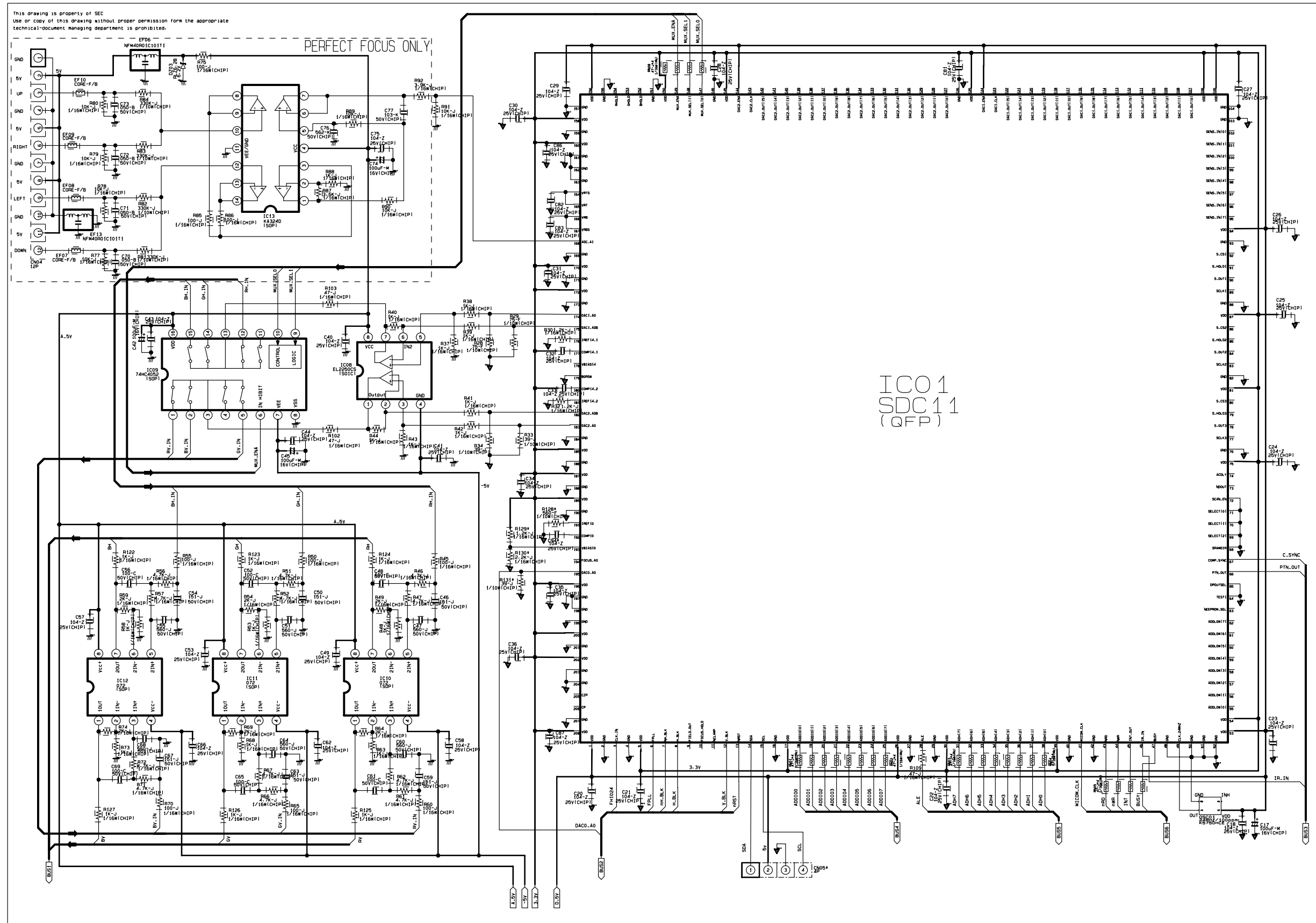




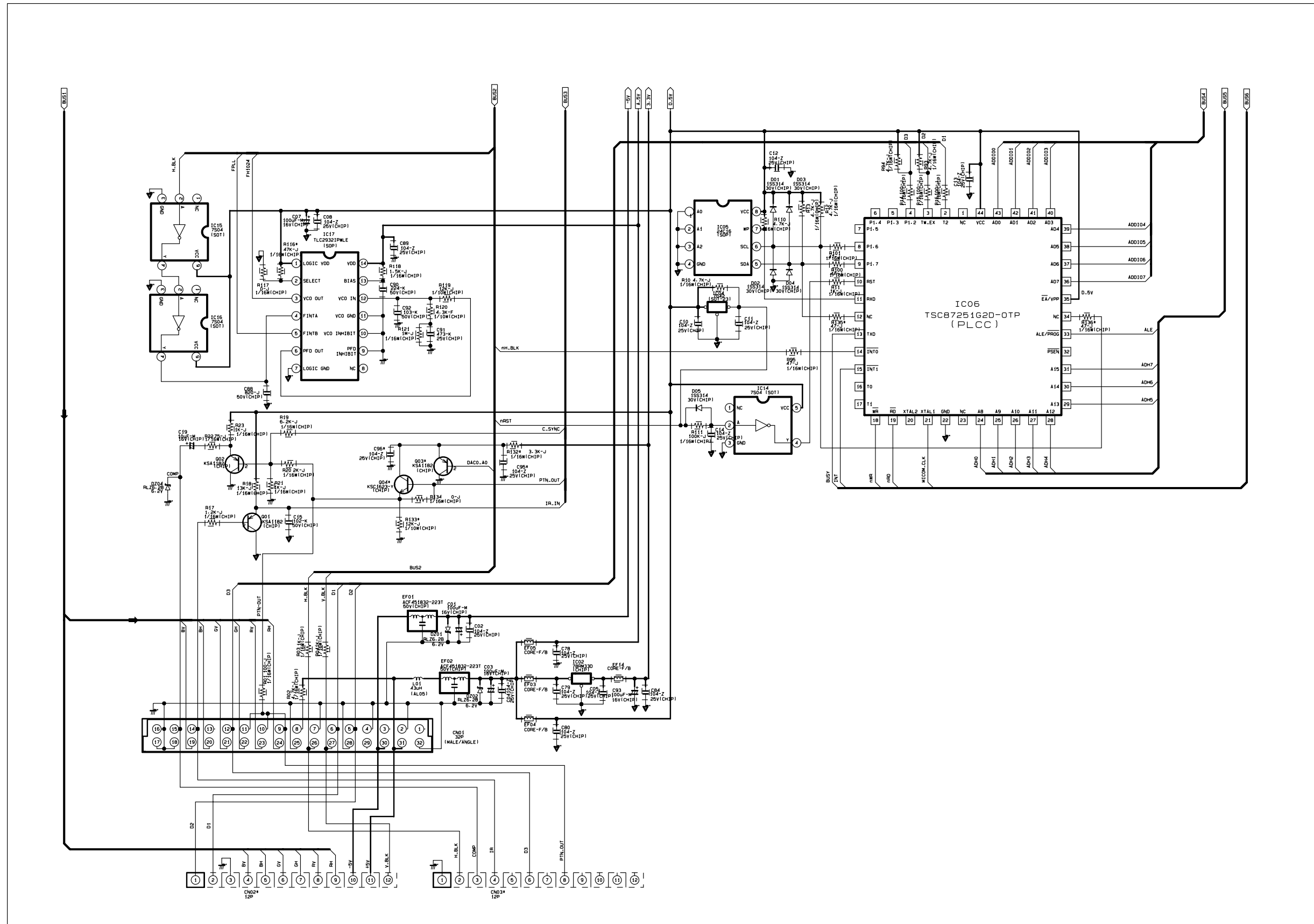
# 10-15 CONVERGENCE



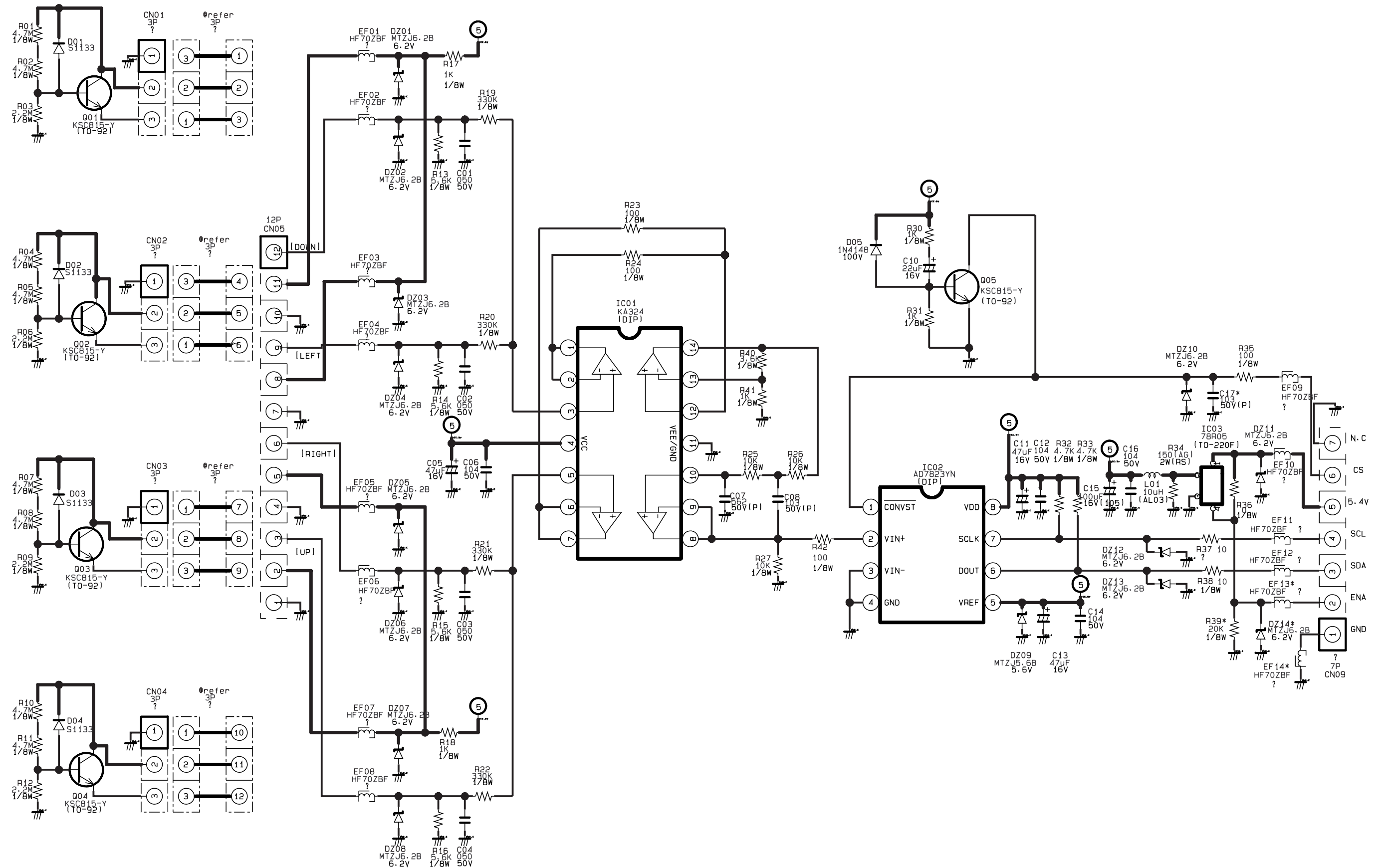
10-16 CONVERGENCE ( SDC11 - 1 )



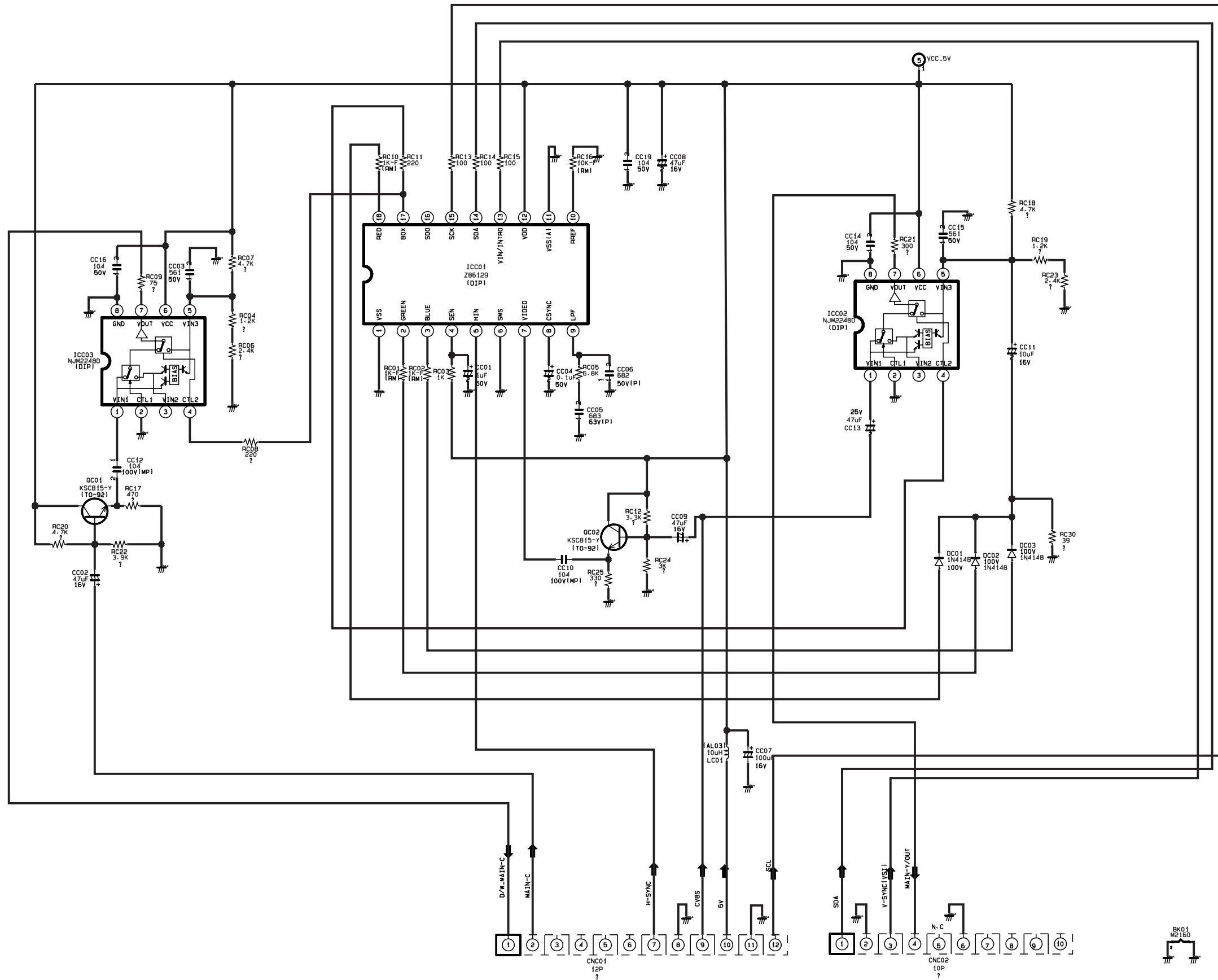
### 10-17 CONVERGENCE ( SDC11 - 2 )



10-18 PERFECT FOCUS (PHOTO SENSOR & INTERFACE BOARD)

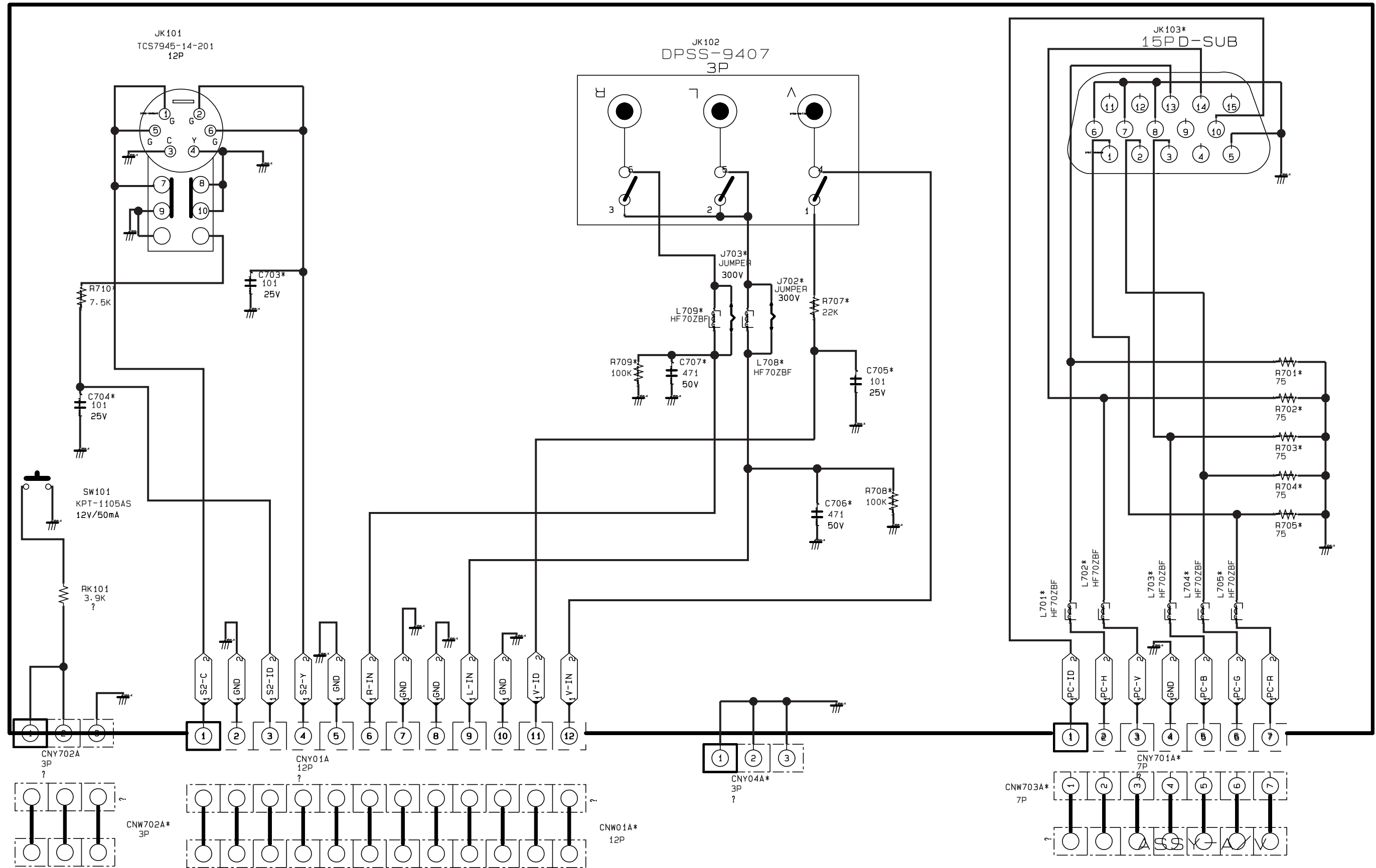


10-19 CAPTION



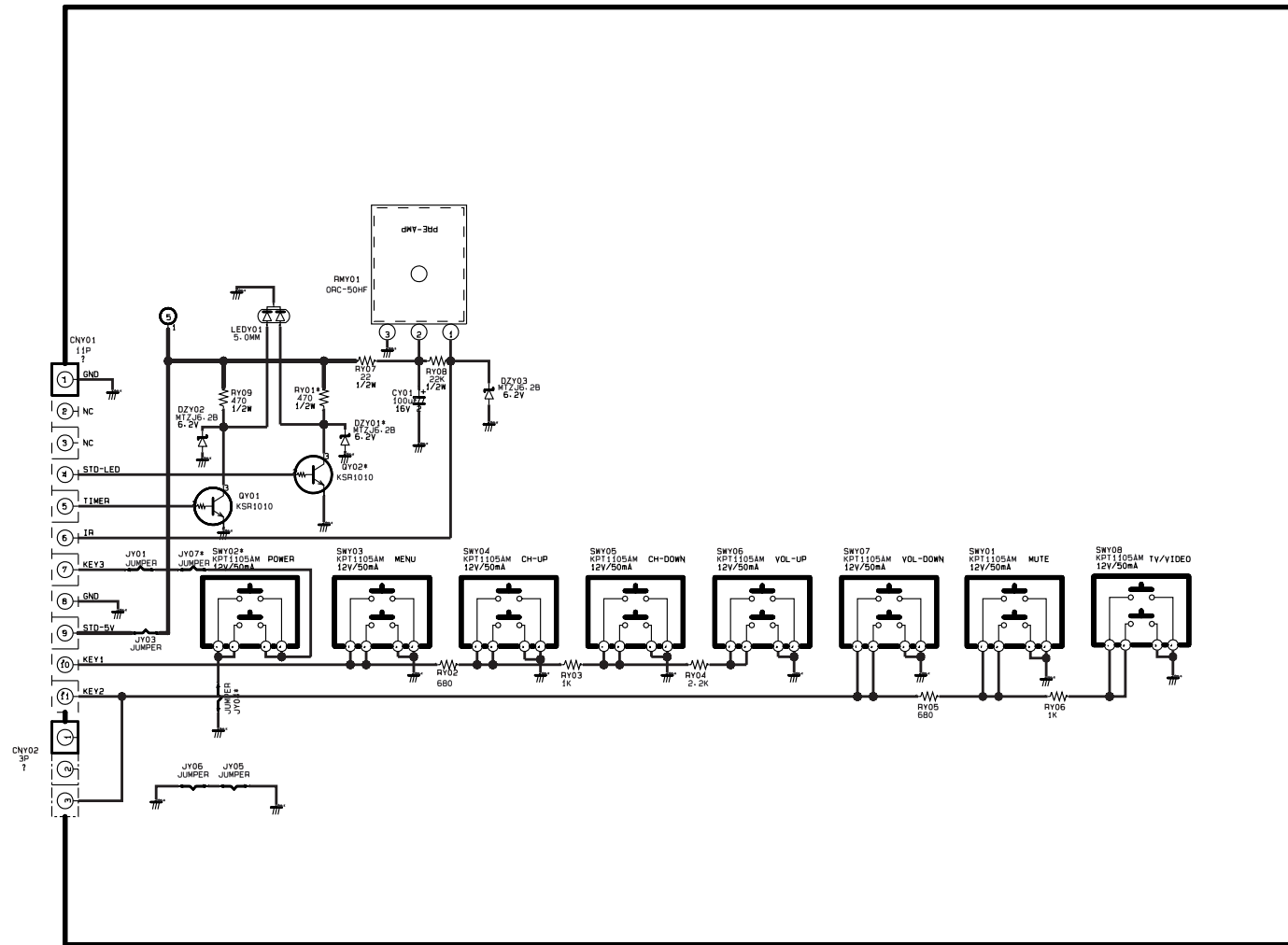


10-20 AV FRONT

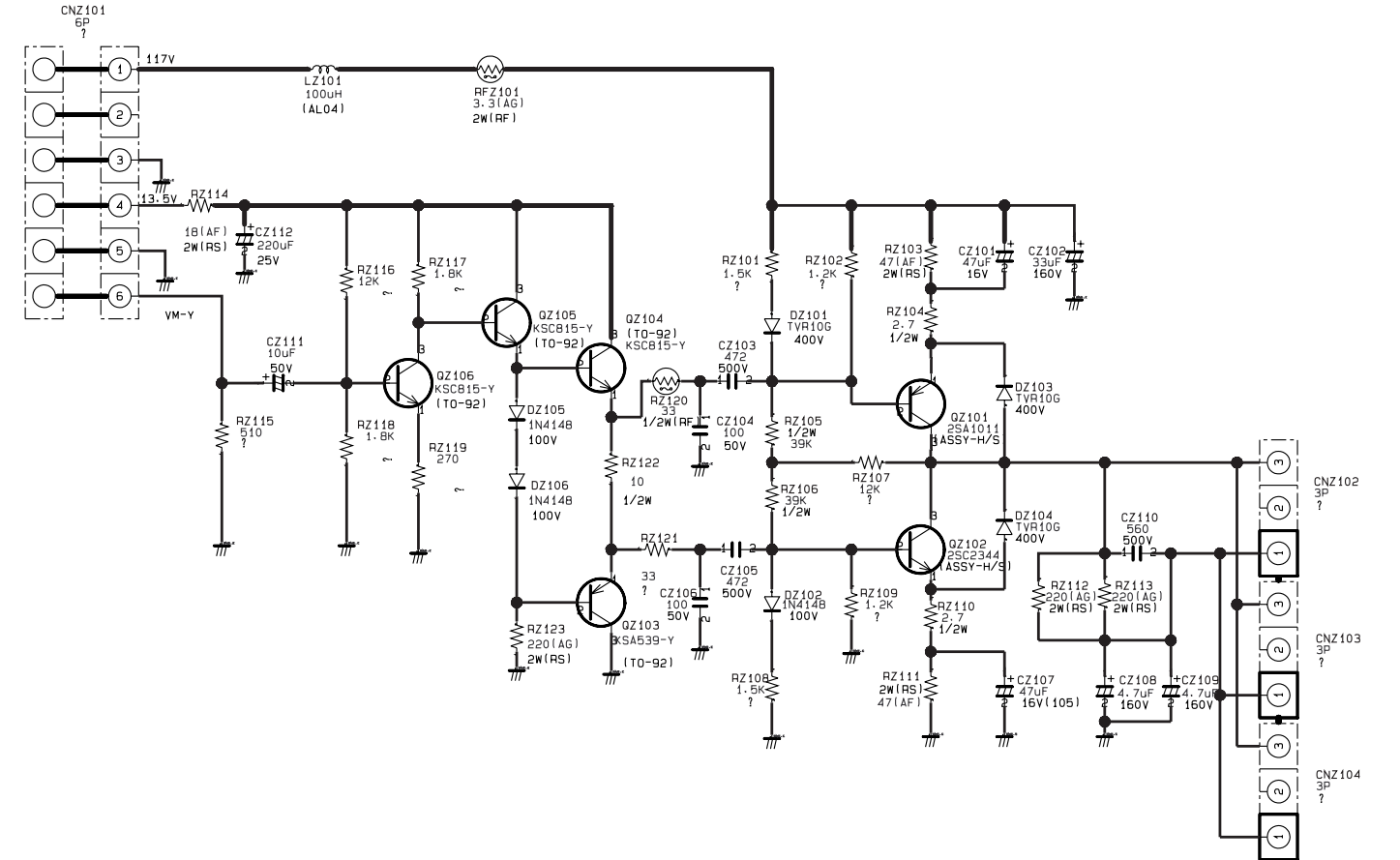


# 10-21 CONTROL, VM

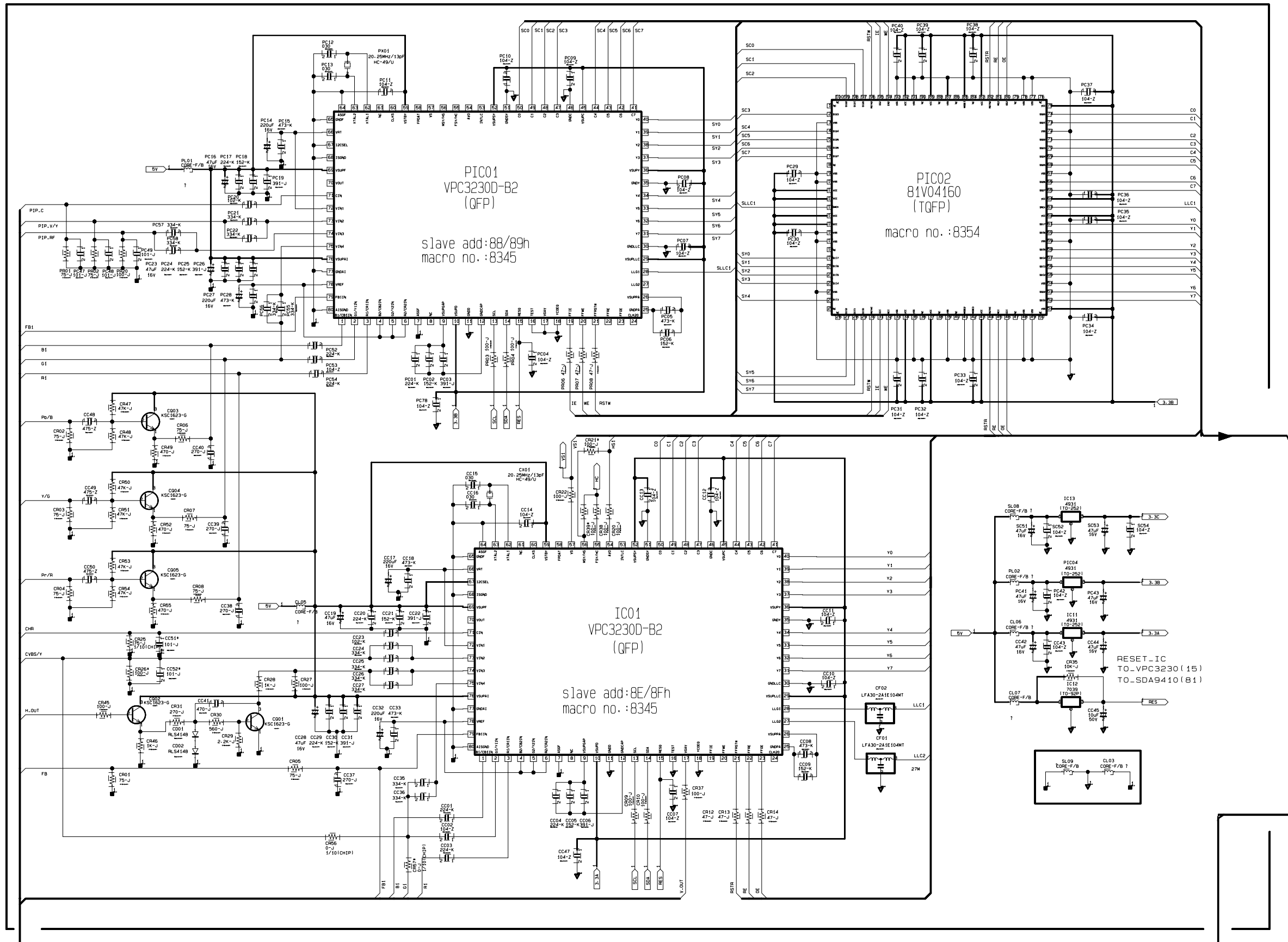
## CONTROL



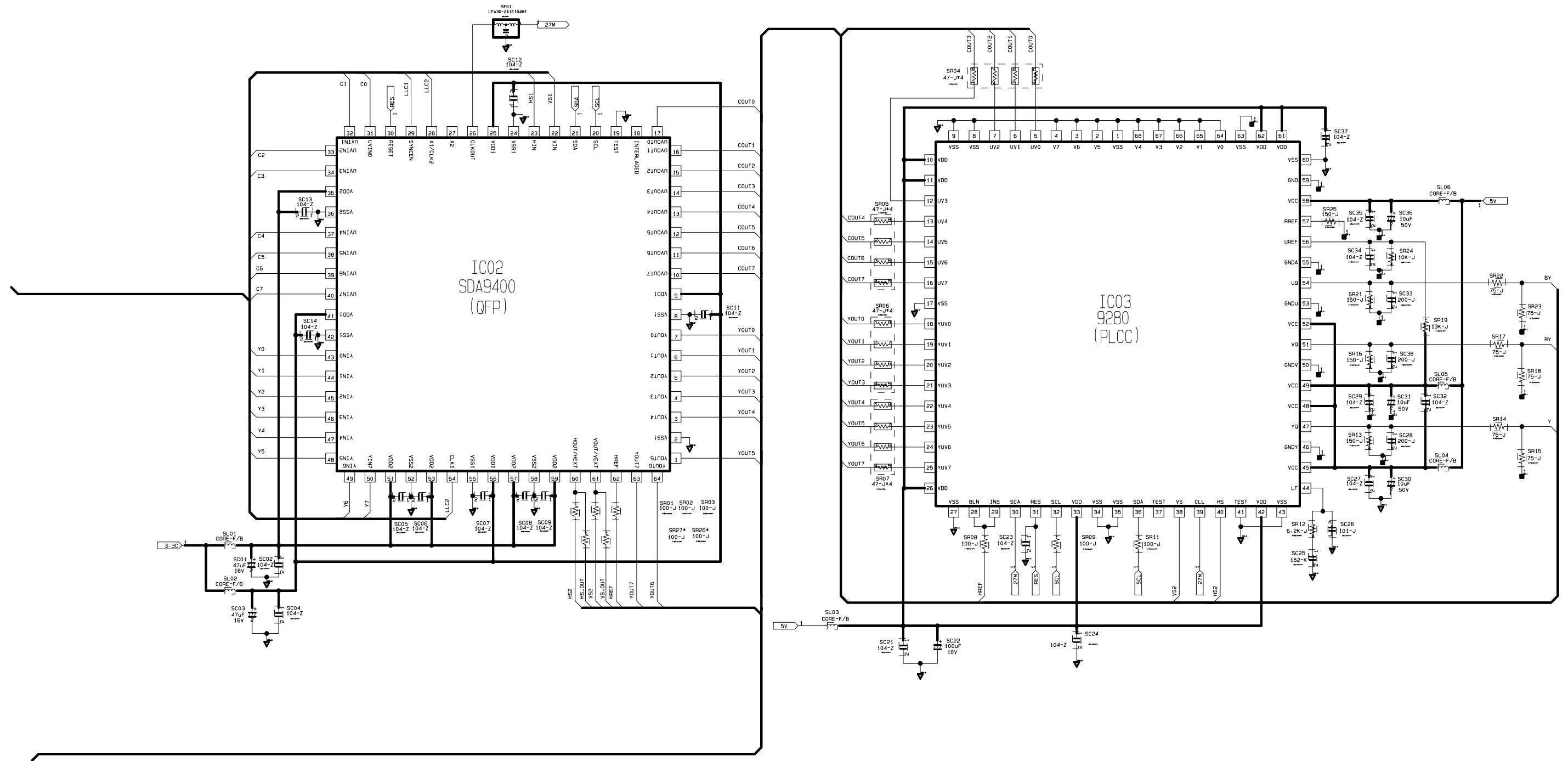
## VM

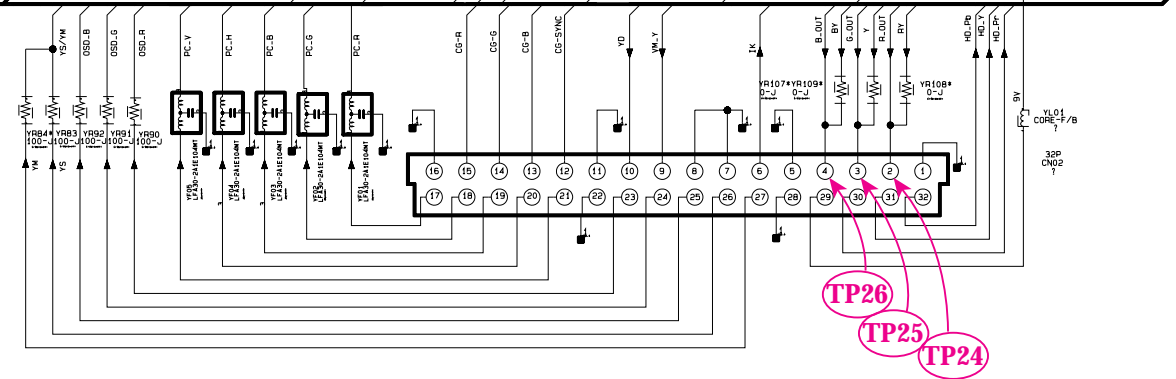
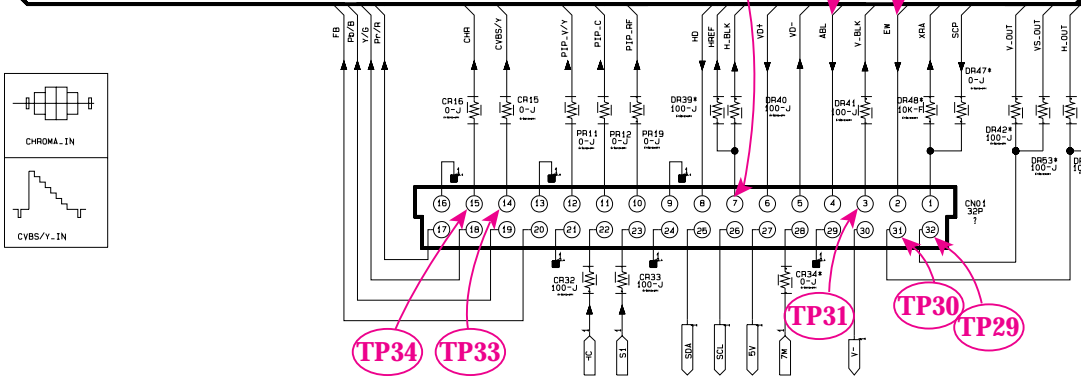
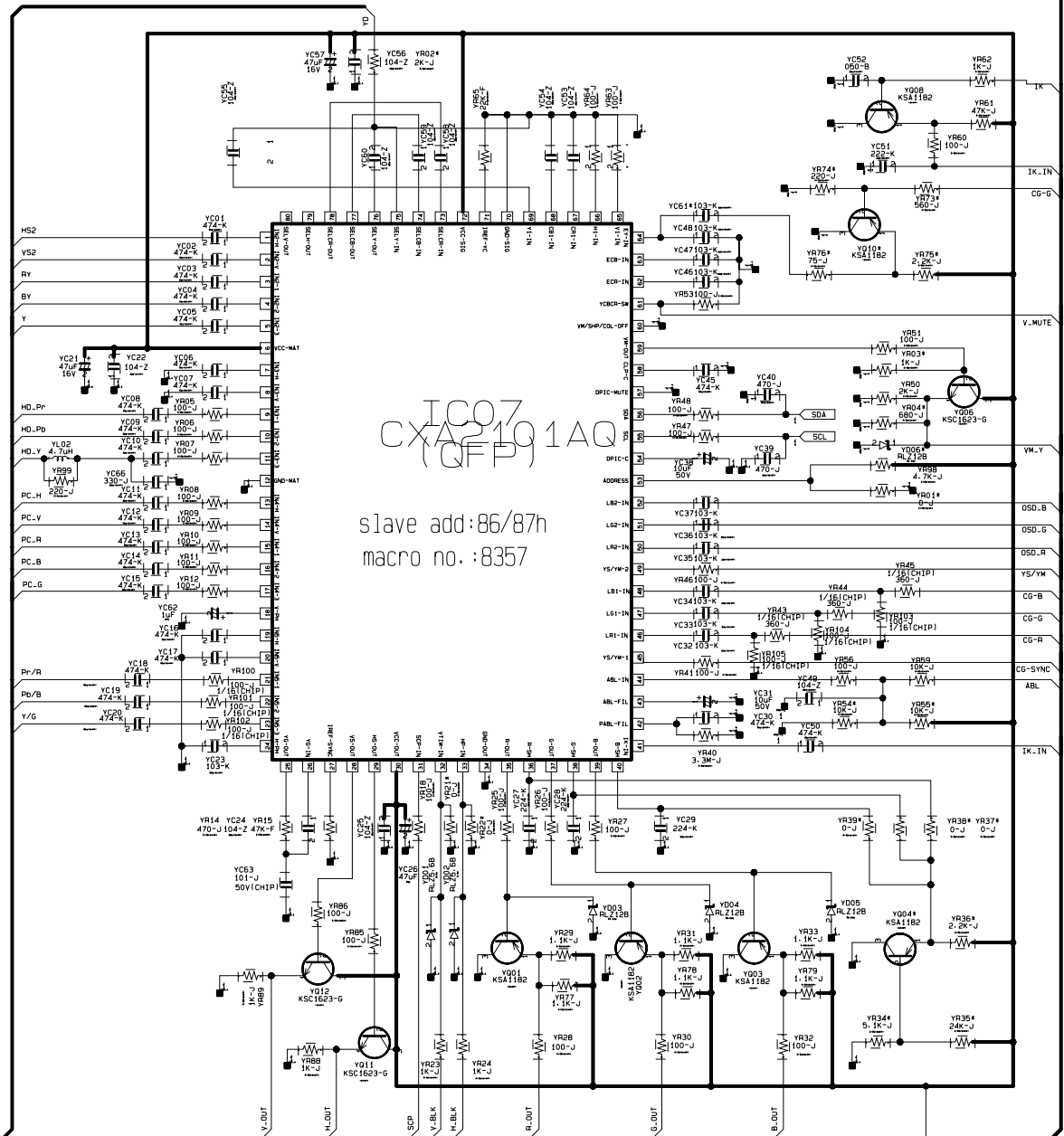
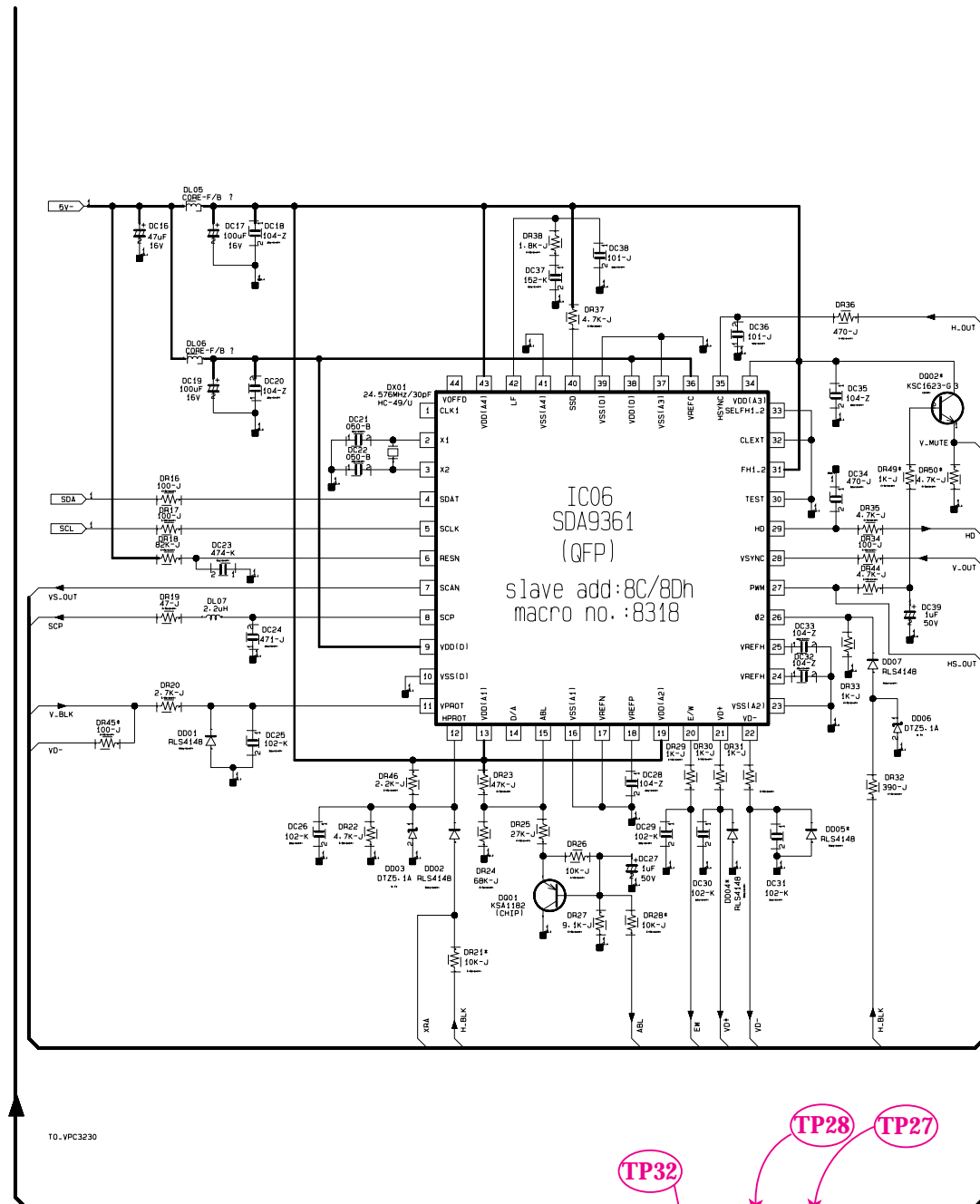


10-22 DW 1



10-23 DW 2





### 10-24-1 DW 3 WAVEFORMS

