



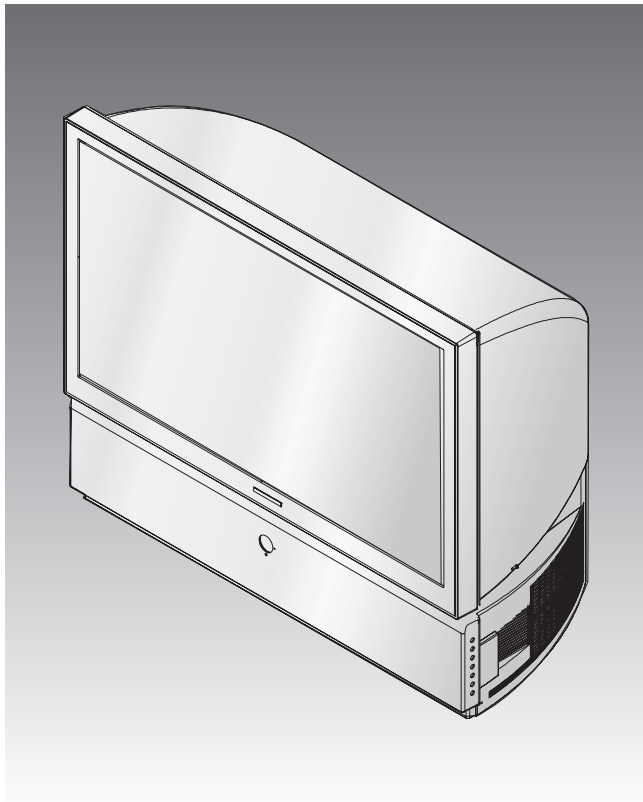
PROJECTION TV RECEIVER

Chassis : P62A(N)_Benhur-3

Model : HCR4755WX/XAA (HC-R4755W)

SERVICE Manual

PROJECTION TV RECEIVER



CONTENTS

1. Product Specification
2. Alignment & Adjustment
3. Troubleshooting
4. Exploded View & Part List
5. Electrical Part List
6. Block Diagram
7. PCB Diagram
8. Schematic Diagram



ELECTRONICS

This Service Manual is a property of Samsung Electronics Co.,Ltd.
Any unauthorized use of Manual can be punished under applicable
International and/or domestic law.

© Samsung Electronics Co., Ltd. **May. 2005**
Printed in Korea
AA82-02523A

1. Product Specification

Model	HC-R4245W	HC-R4745W	HC-R5245W
Voltage	AC 120V	AC 120V	AC 120V
Frequency of Operation	60Hz	60Hz	60Hz
Power Consumption	240 watts	240 watts	240 watts
Dimensions (W x D x H)	1004 x 500 x 967 mm 39.5 x 19.7 x 38.1 inches	1126 x 621 x 984 mm 44.3 x 24.4 x 38.7 inches	1226 x 598 x 1276 mm 48.3 x 23.5 x 50.2 inches
Weight	40.4 Kg / 89.1 lbs	49.9 Kg / 110.0 lbs	61.0 Kg / 134.4 lbs

Model	HC-R4355W	HC-R4755W
Voltage	AC 120V	AC 120V
Frequency of Operation	60Hz	60Hz
Power Consumption	240 watts	240 watts
Dimensions (W x D x H)	1035 x 510 x 888 mm 40.7 x 20.0 x 34.9 inches	1120 x 555 x 939 mm 44.0 x 21.8x 36.9 inches
Weight	36.4 Kg / 80.2 lbs	39.5 Kg / 87.0 lbs

MEMO

2. Alignment & Adjustment

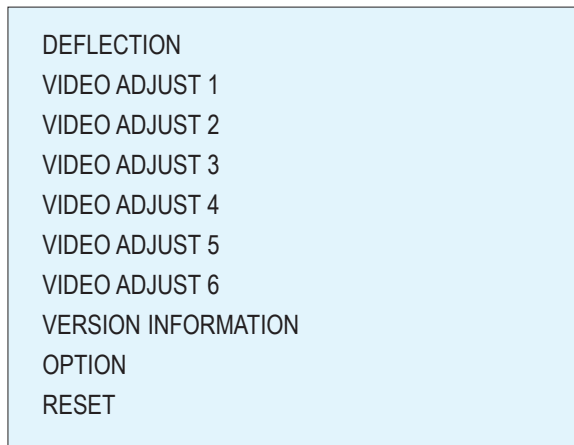
2-1 When entering the service mode:

1. Turn on the TV, and then select "STANDARD" on the picture adjustment mode.
2. Turn off the TV (STAND-BY).
3. Enter the service mode by pressing the remote control keys in the following sequence :



Note : If necessary, re-do steps 1~3.

4. Initial SERVICE MODE DISPLAY State



5. Service Mode Control Keys

MENU	Full Menu Display / Move to Parent Menu
Direction keys ▲ / ▼	Item Selection by Moving the Cursor
Direction keys ◀ / ▶	Data Increase/Decrease for the Selected Item

2-2 Factory Data

+ DVI connection item is corresponded to DVI application model.
(HCR4245W)

1. Deflection

No	Item	Initial Data	Var/Fix	Range	Adjust Data
					All Mode
1	V Amp	31	Var	0 ~ 63	31
2	V Shift	32	Fix	0 ~ 63	32
3	H EW	31	Var	0 ~ 63	31
4	H Shift	34	Fix	0 ~ 63	34
5	V LIN	7	Fix	0 ~ 15	7
6	Up_Lin	0	Fix	0 ~ 15	0
7	Low_Low	0	Fix	0 ~ 15	0
8	V SC	7	Fix	0 ~ 15	7
9	H Par	20	Fix	0 ~ 63	20
10	Up_Cor	31	Fix	0 ~ 63	31
11	Low_Cor	31	Fix	0 ~ 63	31
12	H Tra	31	Fix	0 ~ 63	31
13	Bow	31	Fix	0 ~ 63	31
14	Angle	31	Fix	0 ~ 63	31
15	V Position	31	Fix	0 ~ 63	31
16	Up UCG	0	Fix	0 ~ 3	0
17	Lo UCG	0	Fix	0 ~ 3	0
18	CXA Left Blk	55	Fix	0 ~ 63	55
19	CXA Right Blk	15	Fix	0 ~ 63	15

2. Video Adjust 1

No	Item	Initial Data	Var/Fix	Range	Adjust Data	
					DTV/480p/ 720p/1080i	NT(Analog)/VIDEO SVIDEO/480i
1	RED Cutoff	25	Var	0 ~ 63	25	25
2	GREEN Cutoff	25	Var	0 ~ 63	25	25
3	BLUE Cutoff	25	Var	0 ~ 63	25	25
4	Color On/Off	1	Fix	0/1	1	1
5	CR Offset	32	Var	0 ~ 63	32	32
6	CB Offset	32	Var	0 ~ 63	32	32
7	RED Drive	35	Var	0 ~ 63	35	35
8	GREEN Drive	35	Var	0 ~ 63	35	35
9	BLUE Drive	35	Var	0 ~ 63	35	35
10	Sub Bright	20	Var	0 ~ 63	20	20
11	Sub Contrast	8	Var	0 ~ 15	8	8
12	Sub Color	10	Fix	0 ~ 23	6	10 / 15 / 15 / 10
13	Sub Tint	6	Fix	0 ~ 63	6	6 / 5 / 5 / 5
14	CTI Level	1	Fix	0 ~ 3	1	1
15	COL Axis	2	Fix	0 ~ 3	2	2
16	LTI Level	1	Fix	0 ~ 3	1	1
17	LTI Mode	1	Fix	0 ~ 3	1	1
18	System	2	Fix	0 ~ 3	2	2

3. Video Adjust 2

No	Item	Initial Data	Var/Fix	Range	Adjust Data	
					DTV/480p/ 720p/1080i	NT(Analog)/VIDEO SVIDEO/480i
1	ABL Mode	3	Fix	0 ~ 3	3	3
2	Gamma	1	Fix	0 ~ 3	1	1
3	DPIC Level	2	Fix	0 ~ 3	2	2
4	DC Trans	2	Fix	0 ~ 3	2	2
5	ABL TH	15	Fix	0 ~ 15	15	15
6	VM Level	2	Fix	0 ~ 3	2	2
7	VM Coring	0	Fix	0 ~ 3	0	0
8	VM f0	2	Fix	0 ~ 3	2	2
9	VM Limit	3	Fix	0 ~ 3	3	3
10	VM Delay	0	Fix	0 ~ 3	0	0
11	SHP CD Gain	1	Fix	0 ~ 3	1	1
12	SHP f0	0	Fix	0/1	0	0
13	SHP f1 Gain	3	Fix	0 ~ 3	3	3
14	Pre/Over	1	Fix	0 ~ 3	2	1
15	AKB Timing	11	Fix	0 ~ 32	11	11
16	S ABL	3	Fix	0 ~ 3	0	0
17	P ABL	10	Fix	0 ~ 15	10	10
18	Picture Limit	3	Fix	0 ~ 3	3	3

4. Video Adjust 3

No	Item	Initial Data	Var/Fix	Range	Adjust Data	
					All Mode	
1	H Comp	12	Fix	0 ~ 15	12	
2	V Comp	8	Fix	0 ~ 15	8	
3	Pin Comp	0	Fix	0 ~ 7	0	
4	AFC Comp	0	Fix	0 ~ 7	0	
5	CG HAO	5	Fix	0 ~ 20	5	
6	CG VAO	5	Fix	0 ~ 20	5	
7	BKG Level	25	Fix	0 ~ 63	25	
8	CM THRESHOLD	42	Fix	20 ~ 80	42	
9	CM Det Time	0	Fix	0.5sec/1step	0	
10	Pixel_shift_Time	60	Fix	0/5/30/60	60	
11	H_Peaking	2	Fix	0 ~ 7	2	
12	PFS	2	Fix	0 ~ 3	2	
13	LPF 2	1	Fix	0 ~ 3	1	
14	PKCOR	0	Fix	0 /1	0	
15	CKILL	2	Fix	0 ~ 15	8(2)	
16	AFT On/Off	1	Fix	0/1	1	
17	Melody Volume	10	Fix	0 ~ 20	10	

5. Video Adjust 4

No	Item	Initial Data	Var/Fix	Range	Adjust Data		
					480p other	720p (Component)	1080i (Component)
1	YC RF Delay	1	Fix	0~31	1		
2	YC AV Delay	5	Fix	0~31	5		
3	Chroma Band RF	0	Fix	0 ~ 63	0		
4	Chroma Band Video	0	Fix	0 ~ 63	0		
5	Chroma Band SVideo	1	Fix	0 ~ 63	1		
6	IF Comp	2	Fix	0 ~ 4	2		
7	IF Comp Video	4	Fix	0 ~ 4	4		
8	IF Comp SVideo	4	Fix	0 ~ 4	4		
9	9883 RED CUTOFF	128	Fix	0 ~ 255	123	122	122
10	9883 GREEN CUTOFF	128	Fix	0 ~ 255	105	105	99
11	9883 BLUE CUTOFF	128	Fix	0 ~ 255	123	124	124
12	9883 Phase	88	Fix	0 ~ 255	88	176	176
13	9883 Sync Level	50	Fix	0 ~ 255	50	32	32

6. Video Adjust 5

No	Item	Initial Data	Var/Fix	Range	Adjust Data
					NT(Analog)
1	BASE LEVEL	Read	Fix		
2	RFDB1_H_PEAKING	0	Fix		0
3	RFDB1_LPF2	1	Fix		1
4	RFDB1_PKCOR	0	Fix		0
5	RFDB1_SHARPNESS	75	Fix		75
6	RFDB2_H_PEAKING	0	Fix		0
7	RFDB2_LPF2	1	Fix		1
8	RFDB2_PKCOR	1	Fix		1
9	RFDB2_SHARPNESS	50	Fix		50
10	RFDB3_H_PEAKING	0	Fix		0
11	RFDB3_LPF2	2	Fix		2
12	RFDB3_PKCOR	1	Fix		1
13	RFDB3_SHARPNESS	20	Fix		20
14	RFDB1_VALUE	112	Fix		112
15	RFDB2_VALUE	200	Fix		200
16	RFDB3_VALUE	500	Fix		500

7. Video Adjust 6

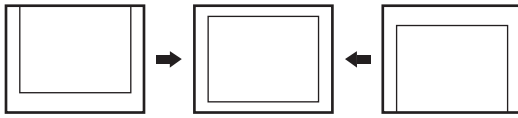
No	Item	Initial Data	Var/Fix	Range	Adjust Data	
					DTV/480p/ 720p/1080i	NT(Analog)/VIDEO SVIDEO/480i
1	ALPHAL	128	Fix	0 ~ 255	128	128
2	ALPHAU	128	Fix	0 ~ 255	128	128
3	CE_CUTOFF	32	Fix	0 ~ 255	32	32
4	CE_UPPER	220	Fix	0 ~ 255	220	220
5	CE GainMax L	160	Fix	0 ~ 255	160	160
6	CE GainMax U	160	Fix	0 ~ 255	160	160
7	GAIN1X	16	Fix	0 ~ 63	16	16
8	GAIN1Y	8	Fix	0 ~ 63	8	8
9	GAIN2X	8	Fix	0 ~ 63	8	8
10	GAIN2Y	4	Fix	0 ~ 63	4	4
11	GAIN3X	1	Fix	0 ~ 63	1	1
12	CORING_ON	1	Fix	0 ~ 1	1	1
13	CORING_TH1	2	Fix	0 ~ 7	2	2
14	CORING_TH2	1	Fix	0 ~ 7	1	1
15	CORING_TH3	1	Fix	0 ~ 7	1	1
16	SD3_K	8	Fix	0 ~ 255	8	8
17	Skin_X	24	Fix	0 ~ 63	24	24
18	Skin_Y	29	Fix	0 ~ 63	29	29
19	SCALE_R	75	Fix	0 ~ 255	75	75
20	SCALE_ALPHA	140	Fix	0 ~ 255	140	140
21	Gamma On	0	Fix	0 ~ 7	0	0
22	Dither Mode	0	Fix	0 ~ 7	0	0
23	NDON	1	Fix	0 ~ 1	1	1
24	NEOnDE	1	Fix	0 ~ 1	1	1
25	NEOnCE	1	Fix	0 ~ 1	1	1
26	RTH2	10	Fix	0 ~ 15	10	10
27	Sub_Contrast	128	Fix	0 ~ 255	128	128
28	Sub_Brightness	0	Fix	0 ~ 255	0	0

8. Option

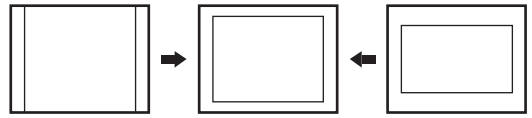
No	Item	Initial Data	Var/Fix	Range	Adjust Data	
					Korea	America
1	Anynet Enable	On	Var	On/Off	On	On
2	DNle	Off	Var	On/OFF/Demo	Demo	Off
3	Panel Key	Enter	Var	Enter/Mute	Enter	Enter
4	LNA	On	Var	On/Off	On	Off
5	DVI	Off	Var	On/Off	Off	On
6	V-CHIP	USA	Var	Off/USA/USA+C	Off	USA

2-3 Screen Change (When adjusting I2C Bus Geometric items)

1 V SHIFT



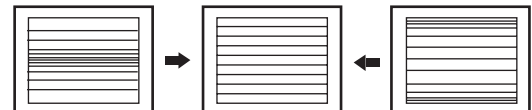
6 V SIZE



2 V LINEARITY



7 V - S - CORRECTION



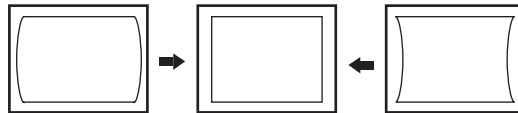
3 H SIZE



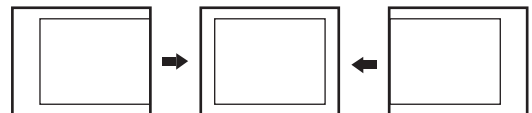
8 PIN PHASE



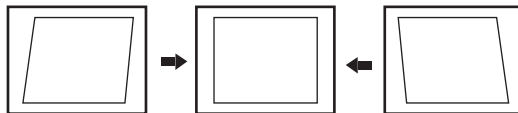
4 PIN AMP



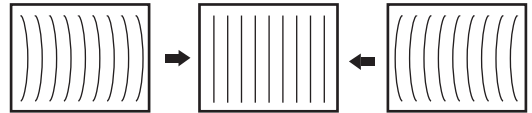
9 H SHIFT



5 V ANGLE



10 V BOW



2-4 Other Adjustments



2-4-1 Screen Adjustment

1. Warm up the TV for at least 30 minutes.
 2. Select the "STANDARD" Video Mode.
 3. Turn to the Video Mode (No Signal) using a remote-control.
 4. Connect an oscilloscope to RK,GK,BK.
 5. Adjust the VR Screen (in the Focus Pack) to have 20VP-P for the RK, GK and BK pulse.
(Turn the R, G and B VR screen fully counterclockwise at each flyback line.)
- ※ Voltage adjustment can't be done using a normal multi-tester. For adjustment, use an oscilloscope.
The voltage shown by the tester is false data because the AC peak to peak voltage is adjusted under DC conditions.

2-4-2 White Balance Adjustment

1. Select the "STANDARD" Video Mode.
2. Input 100% white pattern.
3. In the stand-by mode, press the remote-control keys in the following sequence:




4. Warm up the TV for at least 30 minutes.
5. Input a 10-step signal.
6. R-cut off, B-cut off, and G-cut off by pressing the  keys.
7. Adjust the low light with viewing the dark side of the screen.
8. Select R-drive, G-drive, and B-drive by pressing the  keys.
9. Adjust the high light with viewing the light side of the screen.
10. If necessary, redo screen adjustments and 6~9.
11. Press the Add key to exit.

2-4-3 Sub-Brightness Adjustment

1. Input a sub-brightness adjustment signal. (TOSHIBA PATTERN)
2. In the stand-by mode, press the remote-control keys in the following sequence :



3. Select SBT by pressing the  keys.
4. Adjust so that the 63 step on the right side of the screen is not seen (Use the keys).
5. Press the Menu key to exit.

2-4-4 Static Focus Adjustment

Precaution

1. Select the "STANDARD" video mode.
2. Input a crosshatch pattern.
3. Cover the lenses that are not being adjusted.
4. Connect a convergence jig and read data.
5. Adjust the lens for best focus. (See Fig, 2-1)

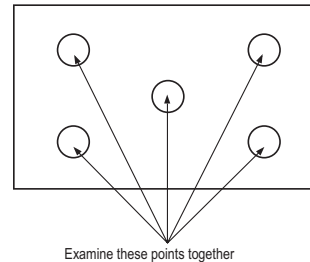


Fig. 2-1 Crosshatch Pattern.

Static Focus (continued)

Vary the focus pack VR (Red, Blue) on the front cabinet. Adjust the TV for best possible focus around the center of the crosshatch pattern, without losing overall screen balance. Figure Crosshatch Pattern Examine these points together.

2-4-5 Lens Focus Adjustment

1. Preparation
 - ① Set the Screen to "STANDARD". (Contrast : 100 / Brightness : 50)
 - ② Set the pattern to Crosshatch.
 - ③ Adjust the electric focus before beginning.
 - ④ Adjust the DY tilt (TILT) before beginning.
2. How to Adjust (Green Lens Adjustment)
 - ① Loosen the lens screw for easier adjustment.
 - ② Press Mute, 1, 8 and 3, sequentially to enter Convergence Mode.
 - ③ Display only the Green pattern by using the +100, 0, and Previous Channel Keys in order to turn the R, G, and B patterns On/Off respectively.
 - ④ Turn the Green Lens clockwise/Counterclockwise to adjust for optimum status. (Repeat if unsuccessful, varying the VR of the front Focus Pack.)
 - ⑤ Perform steps 1~3 for the R and B Lenses.
3. Note

Green determines picture quality; pay close attention for exact adjustment.

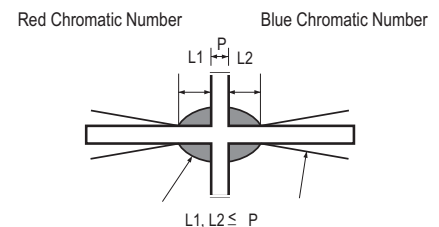
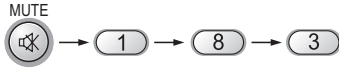


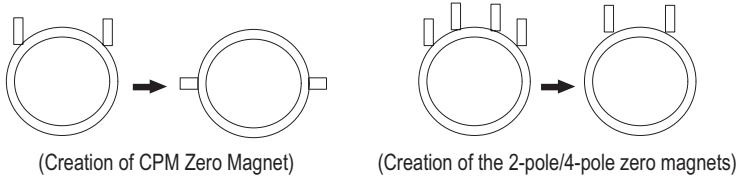
Fig. 2-2 Color Aberration

2-5 Beam Alignment Adjustments

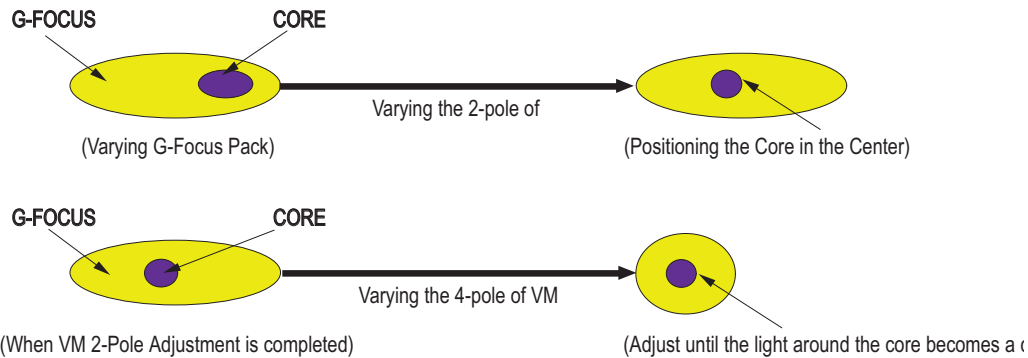
1. Select the "STANDARD" Video Mode.
2. Warm up the set at least for 10 minutes.
3. Enter the Convergence mode by pressing the remote control buttons in the following sequence.



4. Set the Beam Alignment Adjustment CY to Zero magnetic field area.



5. Press the 7- digit button for a while, on the remote control, and a vibrating dot-pattern appears.
6. Adjust the Focus-pack VR for defocusing.
7. Mute the other patterns (R/B) other than G-PATTERN. (Use "+100" / "PRE-CH" Key on the remote control.)
8. Adjust the 2, 4 polarities of VM-COIL as shown in figure below.
9. Adjust the G-Focus until any light around the core disappears.
10. Adjust G-Focus so that the surrounding flash can disappear from the spot.

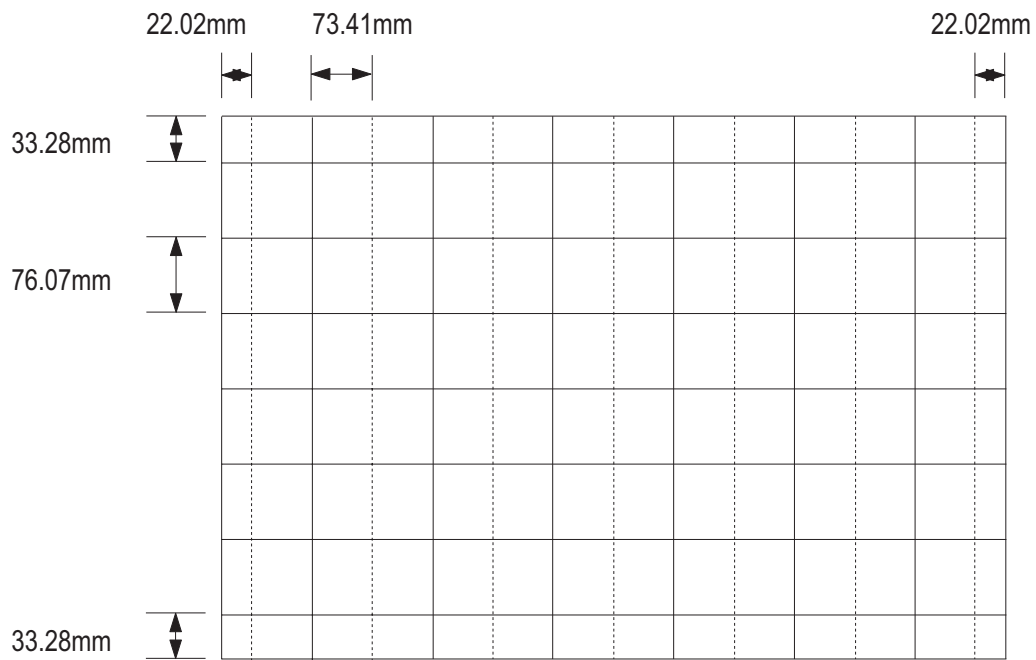


11. After G-Focus adjustments are complete, adjust R-Focus as above procedures.
12. The B-CRT adjustments can be omitted because the variance of beam focus is small. (Only Vm-coil is mounted.)
13. Adjust the Focus-pack VR for fine focusing.
14. Press the 7- digit button for a while, on the remote control, and the mode changes to the Convergence Adjustment mode.
15. Press the "S.MODE" Key on the remote control to return to normal viewing.

2-6 Convergence-Jig

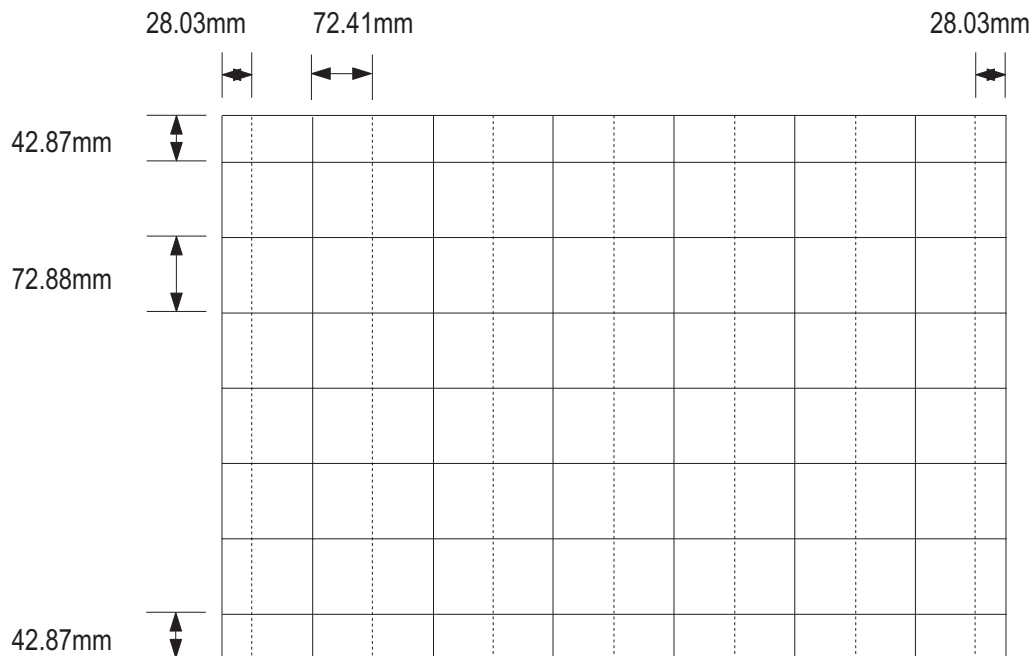
2-6-1 4245W RF Mode

Screen Size : X 925, Y 523 (X: 378 = 9*2 + 30*12 , Y:440=28* 2+64* 6)

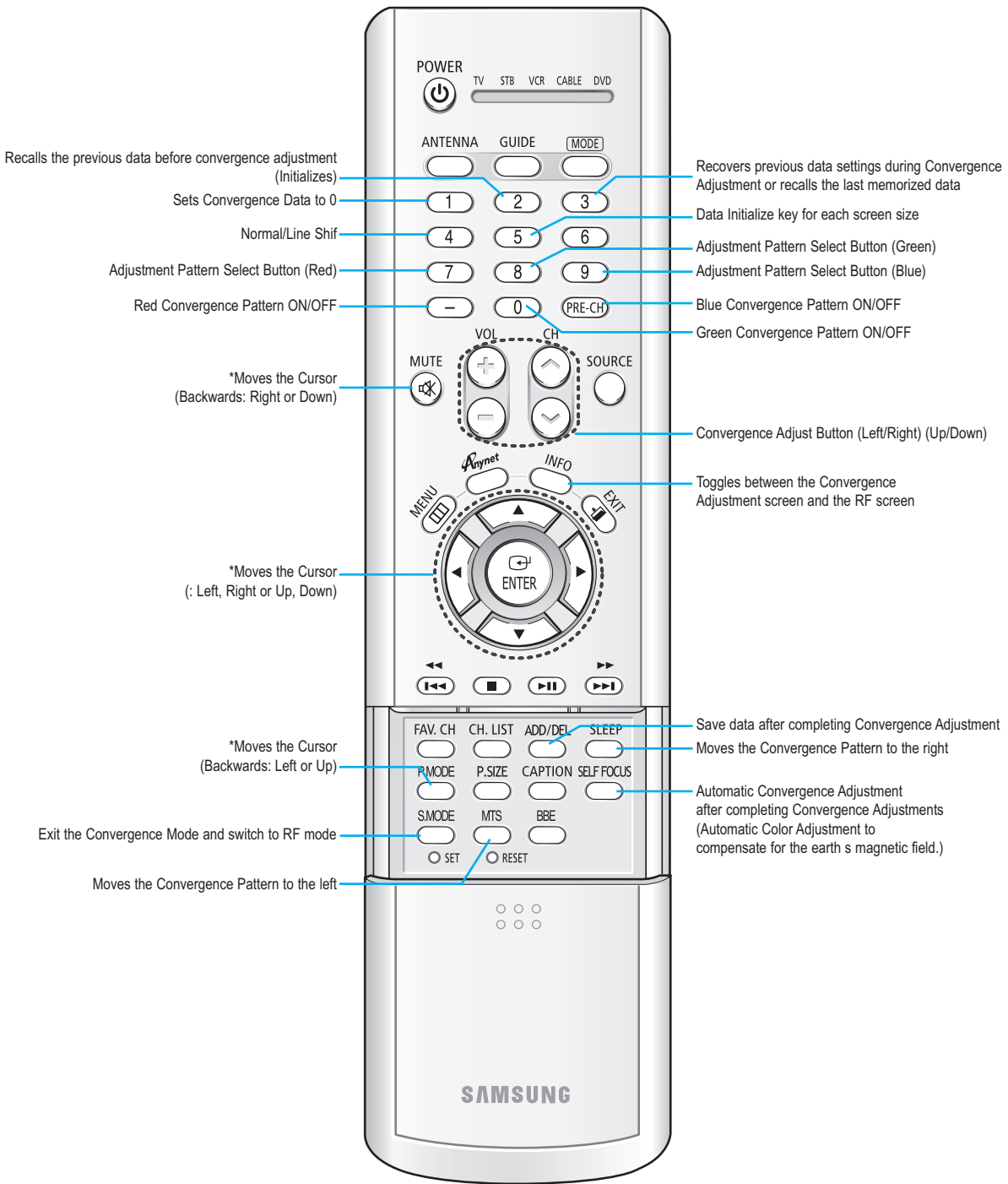


2-6-2 4245W DTV Mode

Screen Size : X 925, Y 523 (X: 396 = 12*2 + 31* 12, Y : 488= 40* 2+68* 6)



2-7 Remote Control Key Functions in Convergence Mode



2-8 Pin Assign

2-8-1 Micom Block

Pin #	Pin Assign	Pin #	Pin Assign
1	WP	52	POWER
2	SCL-E2PROM	51	MICOM-D6
3	SDA-E2PROM	50	MICOM-D5
4	BUS-STOP	49	MICOM-D4
5	SDA-MICOM	48	MICOM-D3
6	SCL-MICOM	47	MICOM-D2
7	N.C	46	MICOM-D1
8	N.C	45	MICOM-D0
9	VDD 2.5V	44	VDD 3.3V
10	GND	43	GND
11	VDD 3.3V	42	VDD 2.5V
12	CAPTION-CVBS	41	N.C
13	VDDA 2.5V	40	N.C
14	GND	39	N.C
15	N.C	38	N.C
16	N.C	37	VDDA 2.5V
17	KEY2	36	GND
18	KEY1	35	XTAL-OUT
19	HSYNC	34	XTAL-IN
20	VSYNC	33	RESET
21	KEY3	32	N.C
22	5V-INT	31	N.C
23	PROTECT	30	VDD 3.3V
24	IR	29	GND
25	STB-LED	28	MICOM-INT
26	TIMER-LED	27	CPU-nRESET

2-8-2 Convergence Module

CN01			
PIN NAME	PIN	PIN	PIN NAME
N.C	1	32	GND
GND	2	31	5V
Dynamic-Fcous	3	30	-5V
GND	4	29	N.C
D2(SCL)	5	28	GND
D1	6	27	V-BLK
GND	7	26	H-BLK
C-SYNC	8	25	GND
R	9	24	RH
G	10	23	RV
B	11	22	GH
D3(SDA)	12	21	GV
N.C	13	20	BH
IR	14	19	BV
F-BLK	15	18	GND
GND	16	17	GND

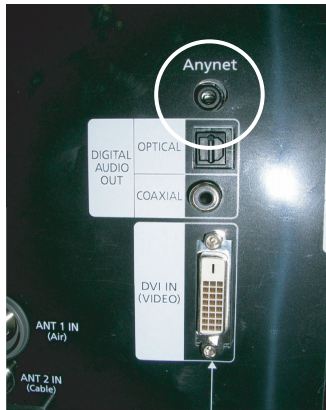
CN02	
PIN	PIN NAME
1	GND
2	5V
3	UP
4	GND
5	5V
6	Right
7	GND
8	5V
9	Left
10	GND
11	5V
12	Down

2-8-3 DTV Module

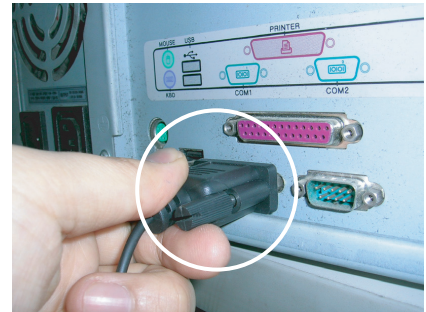
CN100			
Pin #	Pin Assign	Pin #	Pin Assign
1	SDA-CH	25	AGC-SW
2	SCL-CH	26	BUS-STOP
3	NC	27	TS-VLD
4	NC	28	GND
5	NC	29	TS-SYNC
6	DVI-ID	30	GND
7	NC	31	TS-CLK
8	GND	32	GND
9	TS-DATA7	33	NC
10	TS-DATA6	34	NC
11	TS-DATA5	35	AMP-MUTE
12	TS-DATA4	36	CPU-nRESET
13	TS-DATA3	37	S-RESET
14	TS-DATA2	38	NC
15	TS-DATA1	39	12V
16	TS-DATA0	40	GND
17	GND	41	GND
18	DTV-Y	42	STB-5V
19	DTV-PB	43	STB-5V
20	DTV-PR	44	GND
21	GND	45	GND
22	DTV-HSO	46	3.3V-D
23	DTV-VSO	47	3.3V-D
24	GND	48	3.3V-D

CN101			
Pin #	Pin Assign	Pin #	Pin Assign
1	SCL-CG	25	SCL-M5
2	SDA-CG	26	SDA-M5
3	2RF-SW	27	GND
4	TU-RST	28	GND
5	GND	29	COMP2-Y
6	AUD-SDATAO	30	COMP2-PB
7	GND	31	COMP2-PR
8	AUD-SCLK	32	GND
9	AUD-LRCLK	33	NC
10	GND	34	GND
11	NC	35	MAIN-C
12	NC	36	GND
13	GND	37	MAIN-Y/C
14	COMP1-Y	38	GND
15	COMP1-PB	39	GND
16	COMP1-PR	40	DTV-CVBS
17	GND	41	GND
18	NC	42	SCL-MICOM
19	GND	43	SDA-MICOM
20	NT-SOUND-L	44	GND
21	NT-SOUND-R	45	XTAL-ON/OFF
22	VOLT-DET	46	GND
23	NC	47	5V
24	NC	48	5V

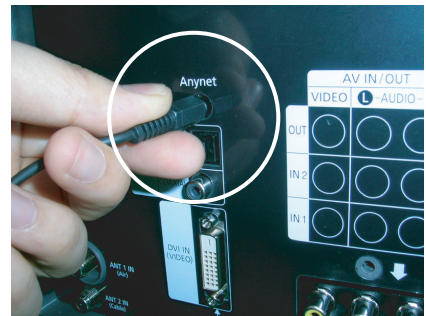
2-9 Firmware Upgrading Method using Anynet port



Using Serial cable

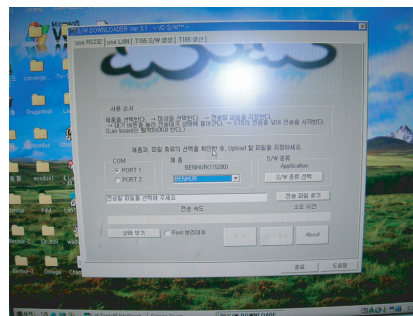


Connecting Serial cable to PORT1 or COM1 port of your PC

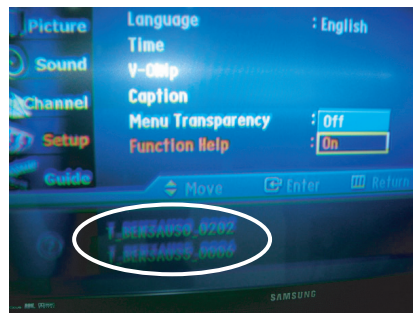


Connecting Serial cable to Anynet port of Terminal Board

After upgrading is finished, Turn Off and turn on the TV by using AC-CORD



Firmware upgrade using your Upgrading Tool

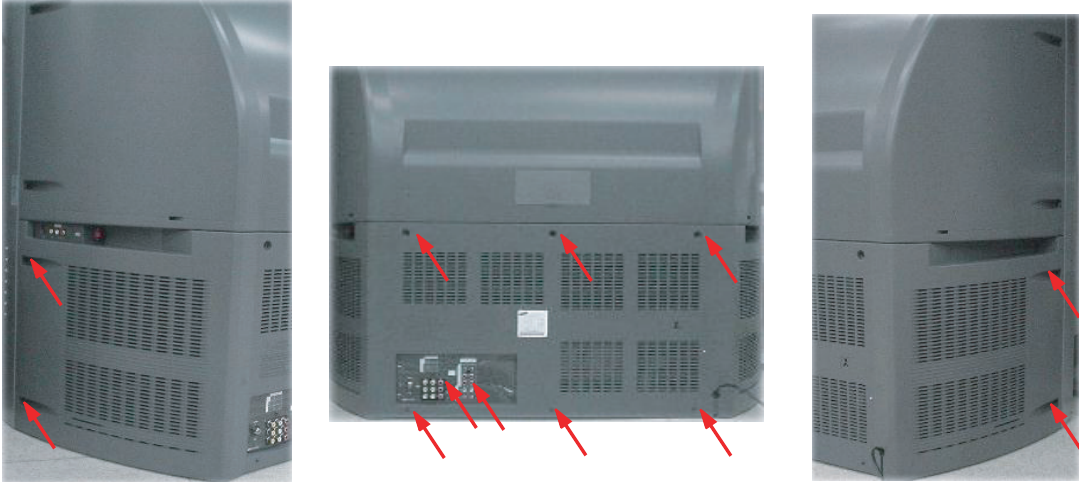


Activating Function Help in the OSD Menu, and pressing Display key in the remote control.
Confirm your final S/W version

3. Troubleshooting

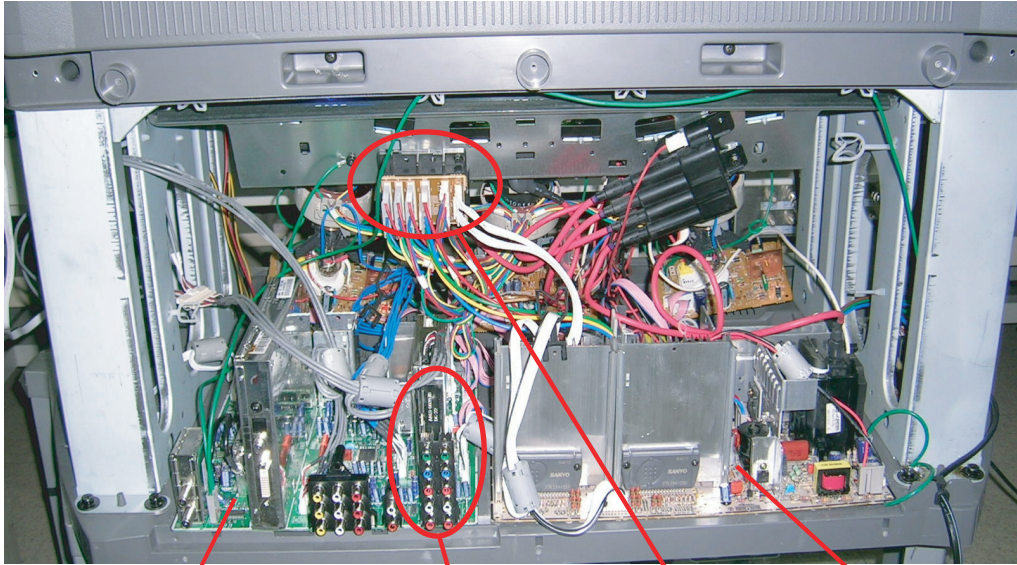
3-1 Opening the Set and Replacing Assemblies

3-1-1 Replacing and Repairing Each Assembly (Opening the Back Cover)



Remove all indicated screws on the rear side of the Set

Repair or replace the required Assembly



MAIN

CG Module

DY JACK

SUB

3-1-2 Replacing and Repairing the CRT-PCB (Opening the Rear Cover)



Remove all indicated screws and open the Rear Cover.

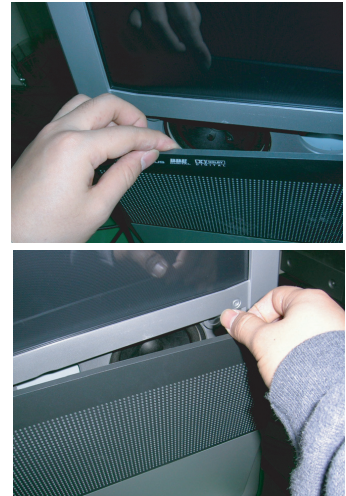
Remove the Front-Panel and PWR- Control



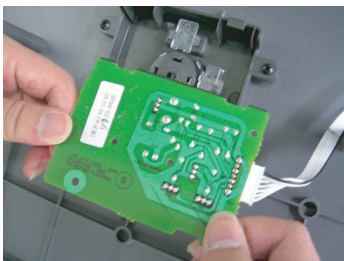
Remove the Screw - Left back



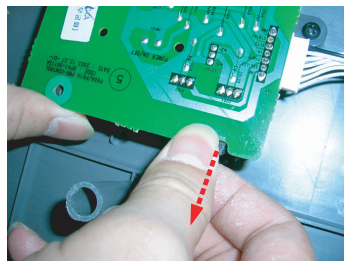
Remove the Screw - Right Back



Remove the Front Panel

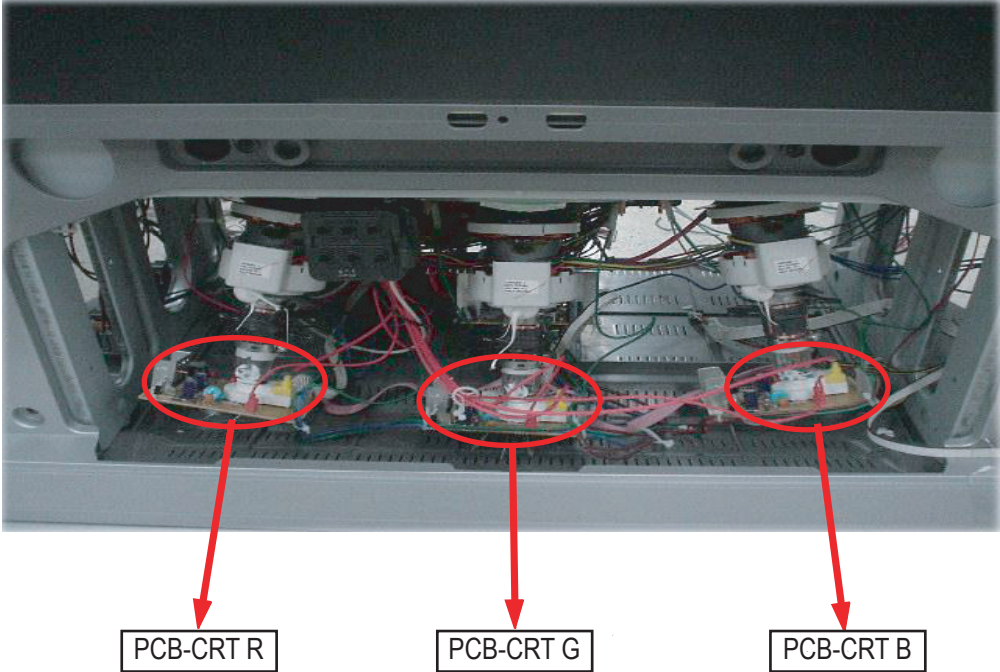


Remove the PWR- Control

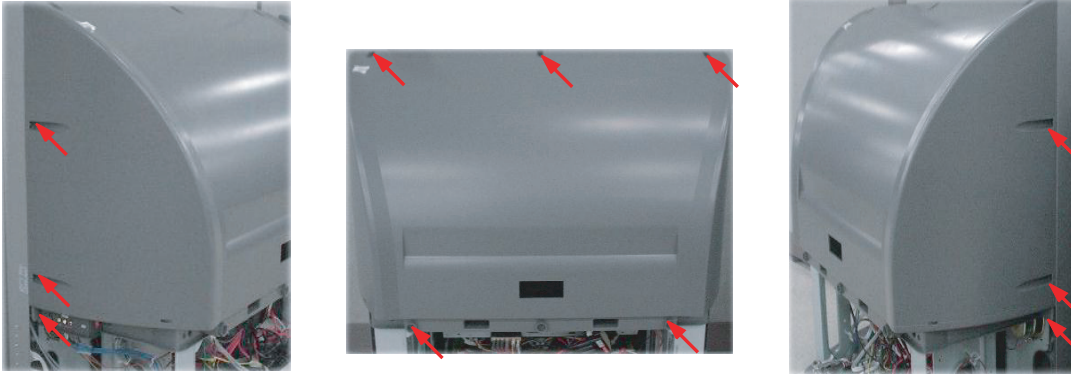


Remove the Screw and Pull down the Locked point

Repair the frontal PCB-CRT or replace it after removing the attached connectors



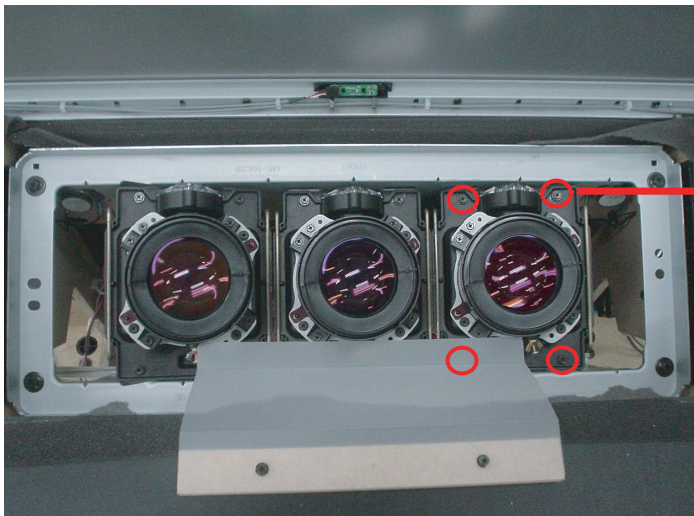
3-1-3 Replacing a Burnt or Exhausted CRT



The Back Cover is detached as illustrated below (refer to the Opening Back Cover).
Remove the screws indicated and detach the Top Cover

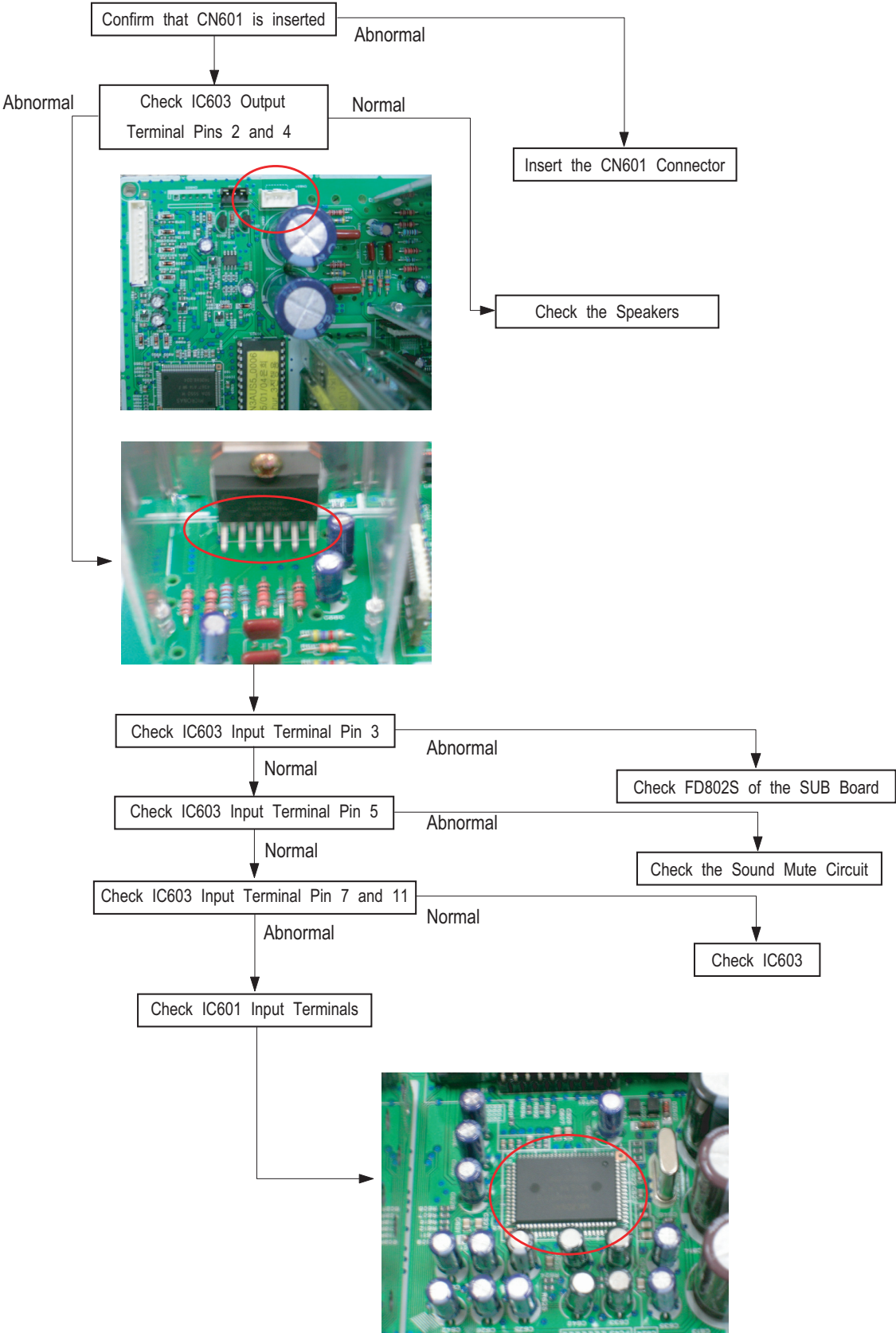


Remove the Dust Cover that prevents dust from entering into the screen

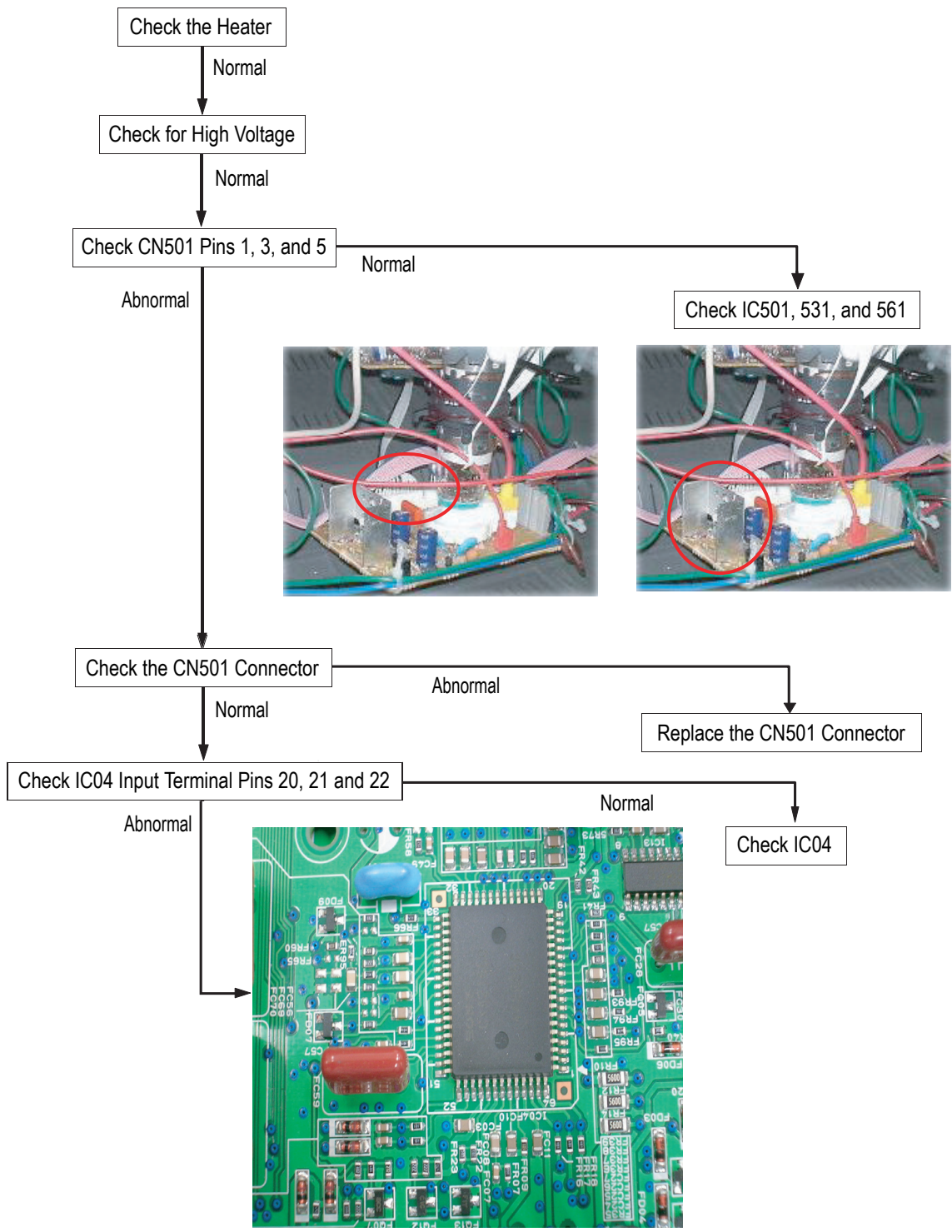


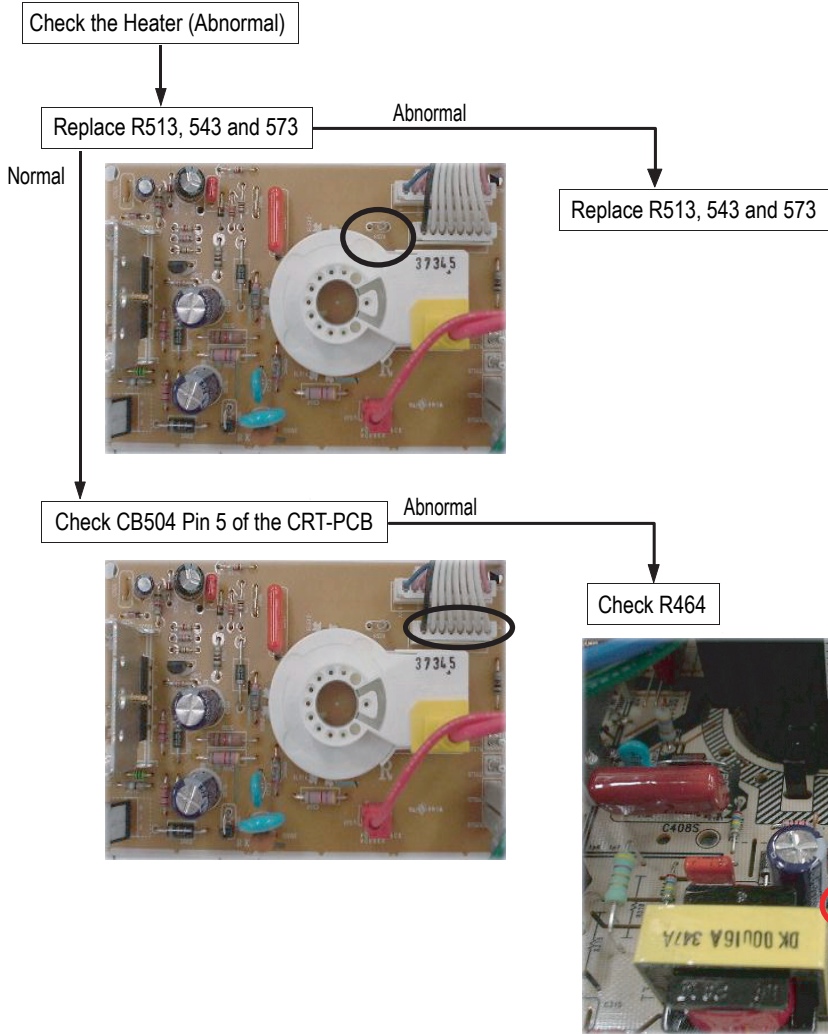
Before proceeding, disconnect all the DY and Connectors connected to the assembly.
Remove the 4 corner screws from the CRT and replace the CRT

3-2 Repairing No Sound



3-3 Repairing No Video (with Normal Sound)



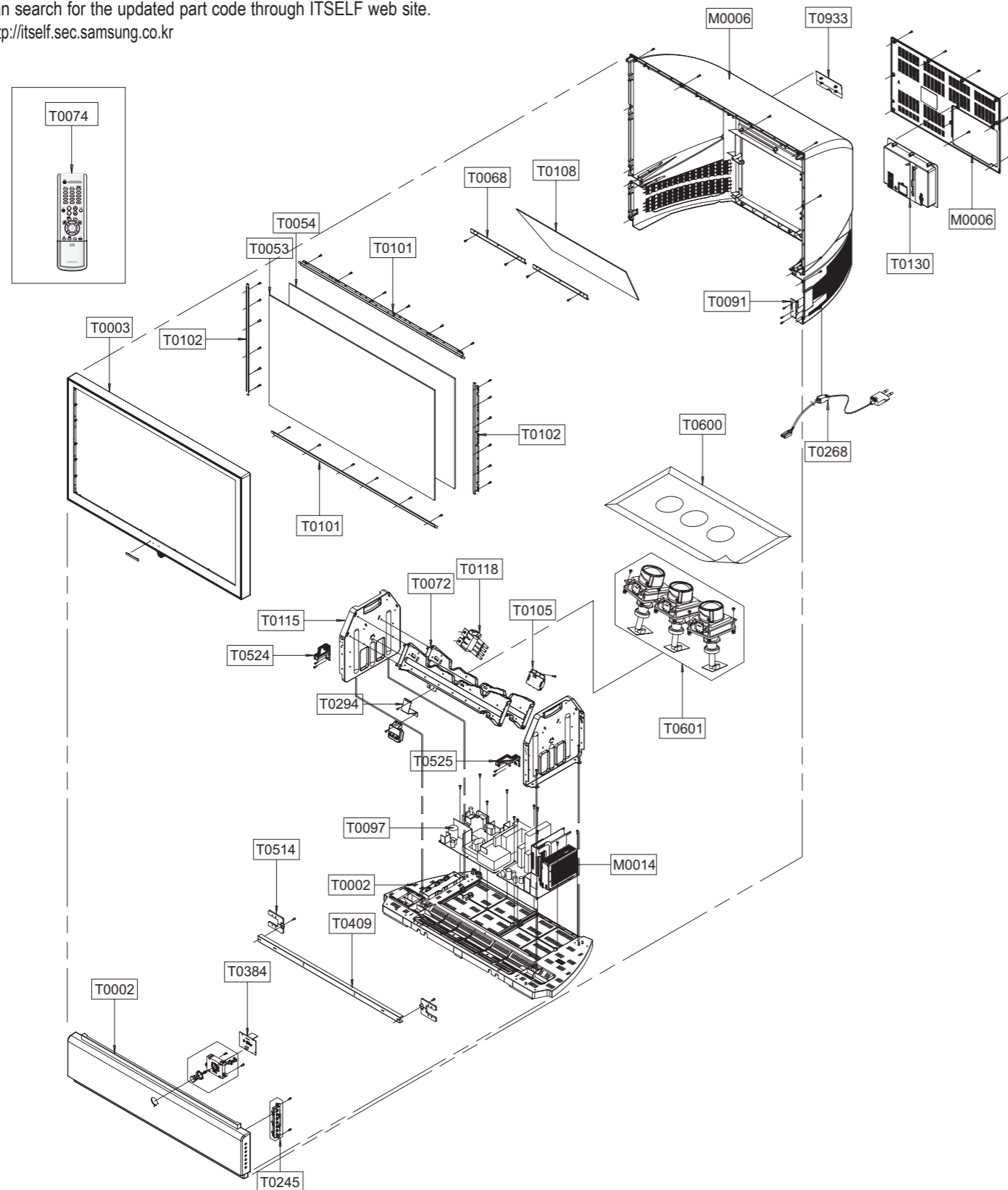


MEMO

4. Exploded View & Part List

4-1 HCR4755WX/XAA

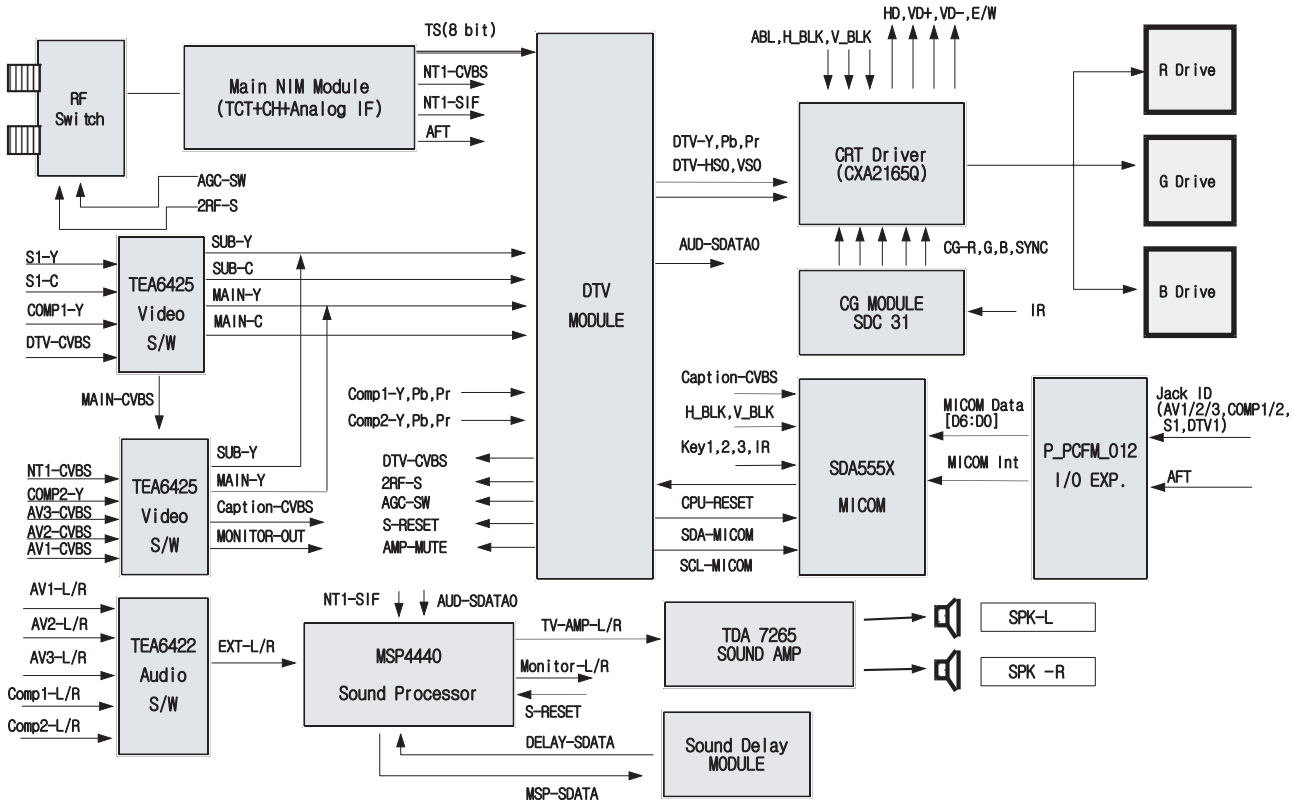
You can search for the updated part code through ITSELF web site.
 URL: <http://itself.sec.samsung.co.kr>



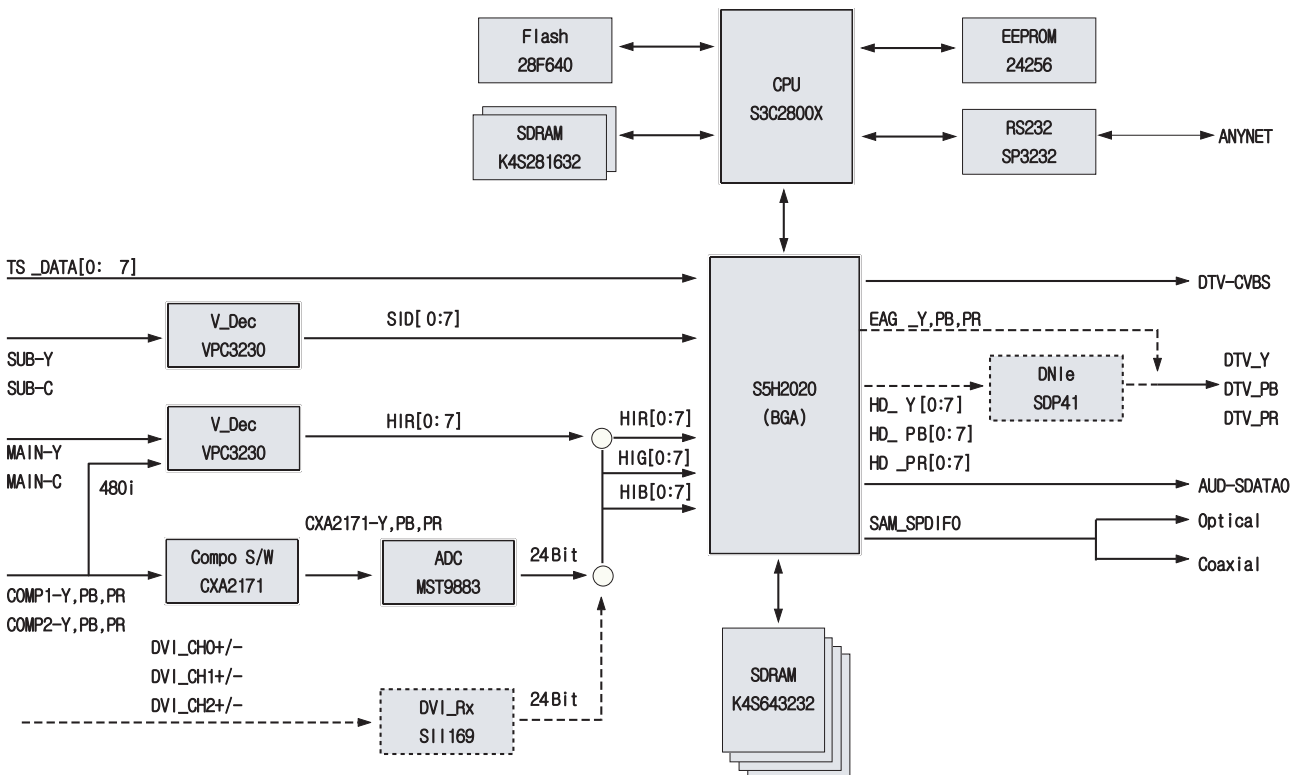
Loc.No.	Code No.	Description;Specification	Q'ty	S.N.A
M0006	BP63-00442A	COVER-REAR BOTTOM;43/47Q5,HIPS,V0,GR503	1	S.N.A
M0006	BP63-00445B	COVER-REAR;47Q5,HIPS,V0,GR503	1	S.N.A
M0014	BP91-01182A	ASSY MISC-CHASSIS PACK(MAIN);HCR4355,P62	1	S.N.A
T0002	BP96-00946B	ASSY COVER P-FRONT BOTTOM;47Q5,SEA,HIPS,	1	
T0002	BP64-00337A	CABINET-BOTTOM;42Q2,HIPS,V0,GR503	1	
T0003	BP96-00945C	ASSY COVER P-FRONT;47Q5,SEA(P62A),HIPS,H	1	
T0053	AA67-00119C	SCREEN FRESNEL;SCREEN FRESNEL,1072*614,2	1	
T0054	AA67-00196E	SCREEN LENTI;SCREEN-LENTI,1070*612,T0.76	1	
T0068	BP61-00008A	BRACKET-MIRROR,ASSY;42W5,SECC,T1.0,AA61-	2	S.N.A
T0072	BP61-00933A	BRACKET-CRT TB;43Q5,SECC,T1.6	2	S.N.A
T0074	BP59-00082A	REMOCON;BENHUR-3,TM76A,47,Zilog 52MX,53,	1	
T0091	BP94-01550A	ASSY PCB MISC-A/V SIDE;DP, HCR4355,P62A,	1	S.N.A
T0097	BP94-01552A	ASSY PCB MISC-PWR DEF;DP, HCR4355,P62A,Q	1	S.N.A
T0101	BP61-00789C	BRACKET-SCREEN TB;DP,BP61-00496A,47Q5,SP	2	S.N.A
T0102	BP61-00790C	BRACKET-SCREEN RL;DP,BP61-00497A,47Q5,SP	2	S.N.A
T0105	BP94-01032A	ASSY PCB MISC-DY JACK;DP, HCP4241W5S/XA,	1	
T0108	BP67-00180B	MIRROR-BACK;SSM,GLASS,728*570*330,T3,47Q	1	S.N.A
T0115	BP61-00934A	BRACKET-CRT LR;43Q5,SECC,T1.6	2	S.N.A
T0118	BP26-00004A	TRANS FBT-H/V DISTRIBUTOR;FUW50A002B/FFA	1	
T0130	BP96-01079A	ASSY COVER P-TERMINAL BOARD;DP,BP96-0098	1	S.N.A
T0245	BP94-01551A	ASSY PCB MISC-KEY CONTROL;DP, HCR4355,P6	1	S.N.A
T0268	AA39-10007Y	CBF-POWER CORD;-EP2/YES,SPT-2 18AWGx2C,	1	
T0294	BP61-00740A	BRACKET-FOCUS;42W5,SECC,T1.6	1	S.N.A
T0384	BP94-01034A	ASSY PCB MISC-PWR CONTROL;DP, HCP4241W5S	1	S.N.A
T0409	BP61-01049B	BRACKET-FRONT BOTTOM;DP,BP61-00941B,47Q5	1	S.N.A
T0514	BP61-01048A	BRACKET-SUPPORT;DP,BP61-00940A,SECC,T1.2	2	S.N.A
T0524	BP61-00990A	BRACKET-SIDE L;43Q5,SECC,T1.2	1	S.N.A
T0525	BP61-00992A	BRACKET-SIDE R;43Q5,SECC,T1.2	1	S.N.A
T0600	BP60-00060A	SPACER-DUST;43Q5,SPONGE,T3.0,94HF-1	1	
T0601	BP91-01917A	ASSY PRT-HITACHI;HCR4751WX/XAC,P60B,47Q5	1	S.N.A
T0933	BP63-00148A	COVER-FOCUS HOLE;PJTV,HIPS,2.0,HB,GR503	1	S.N.A

6. Block Diagram

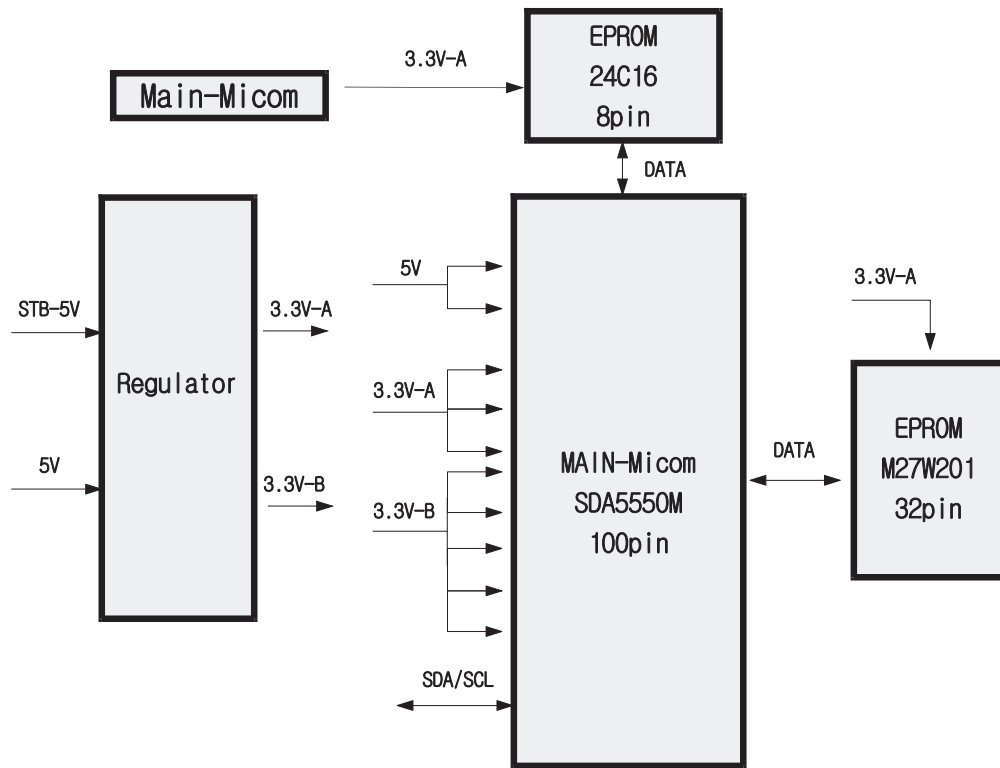
6-1 Main Block



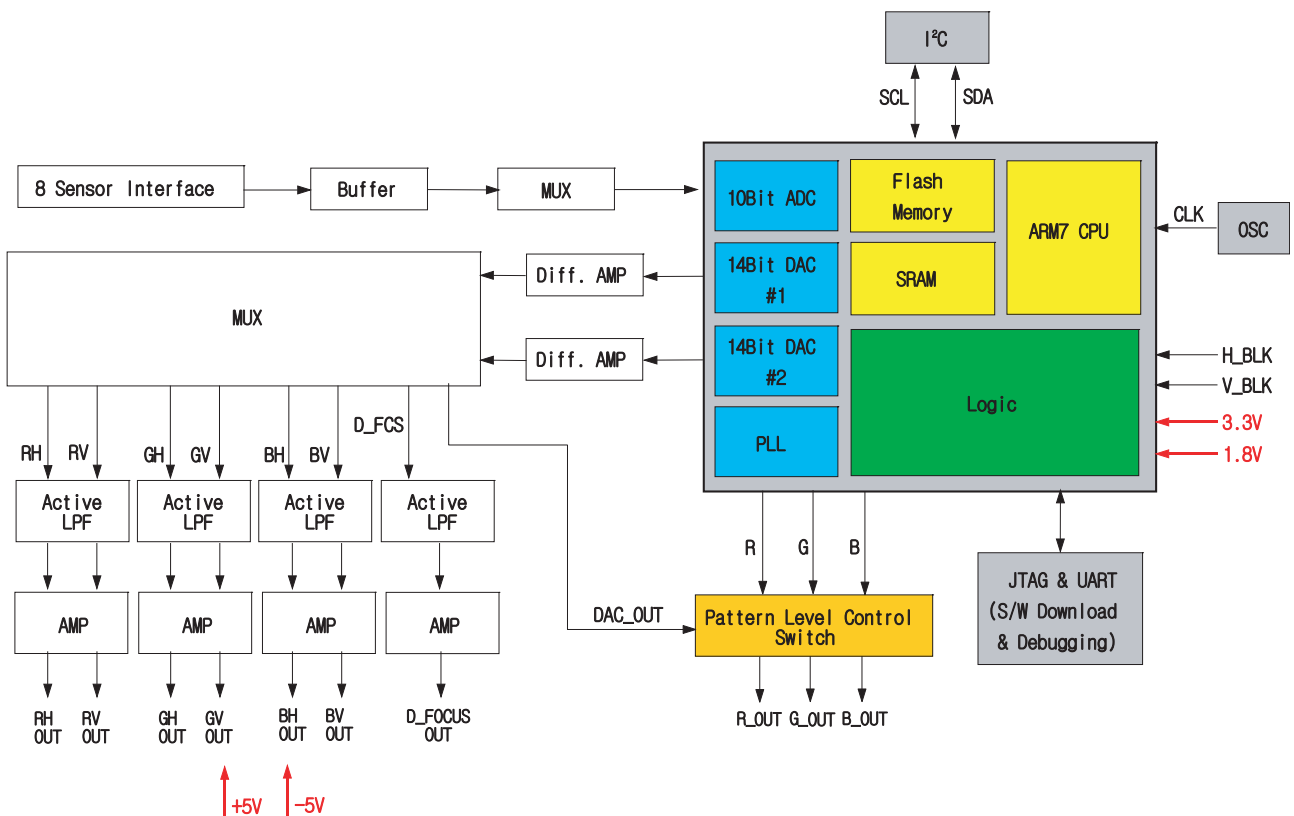
6-2 DTV Module Block



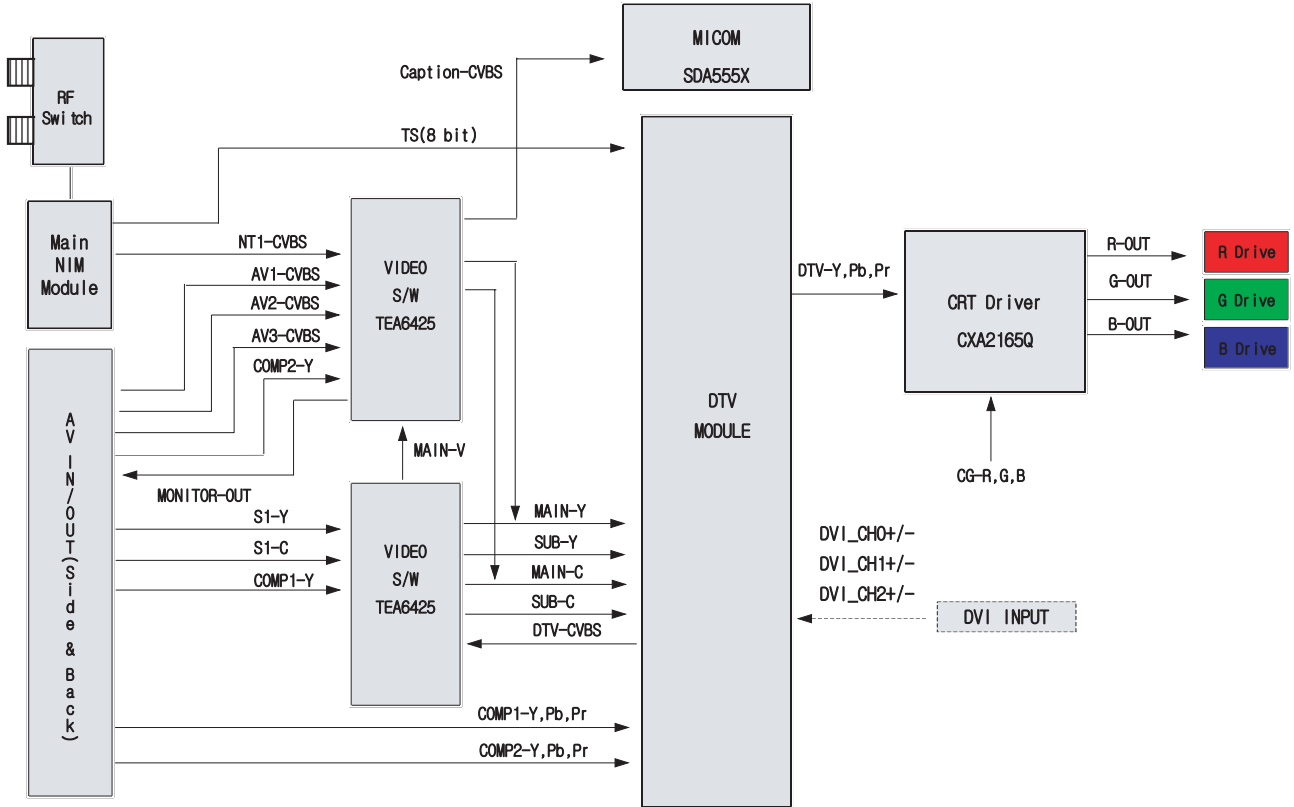
6-3 Microm Block



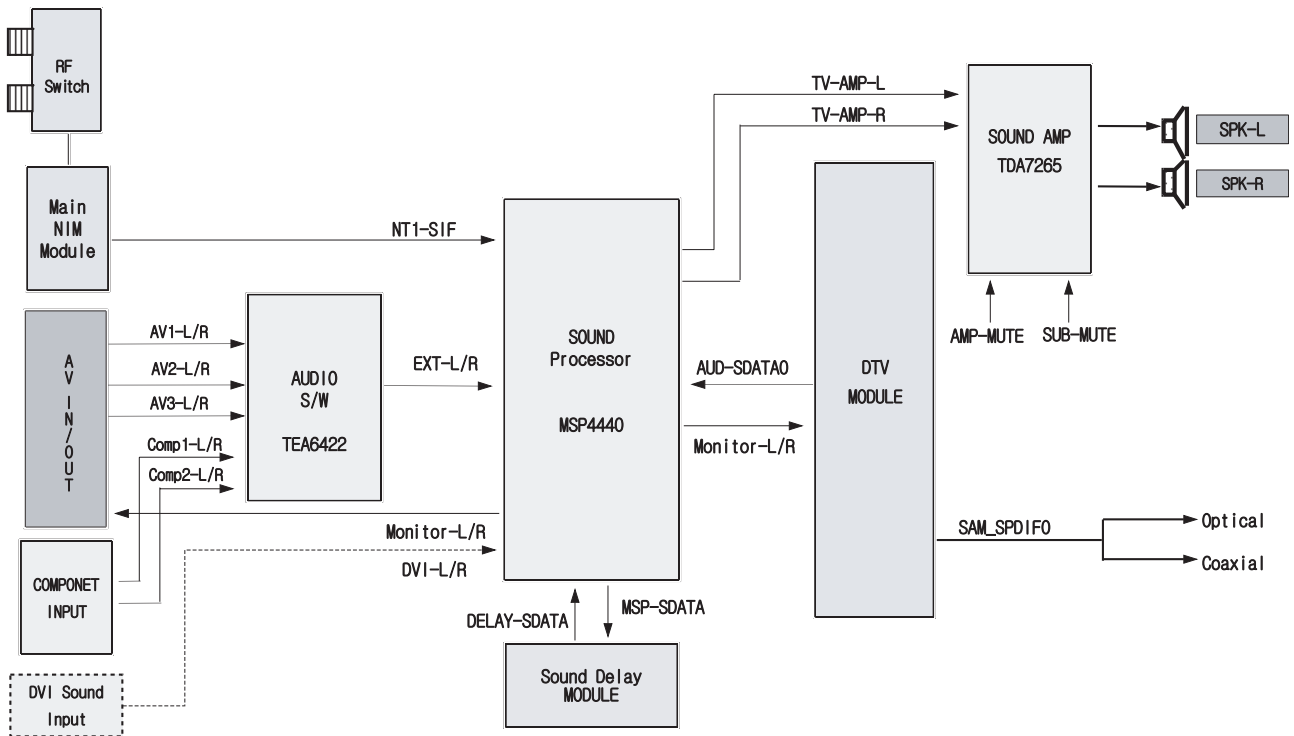
6-4 Cg-Module Block



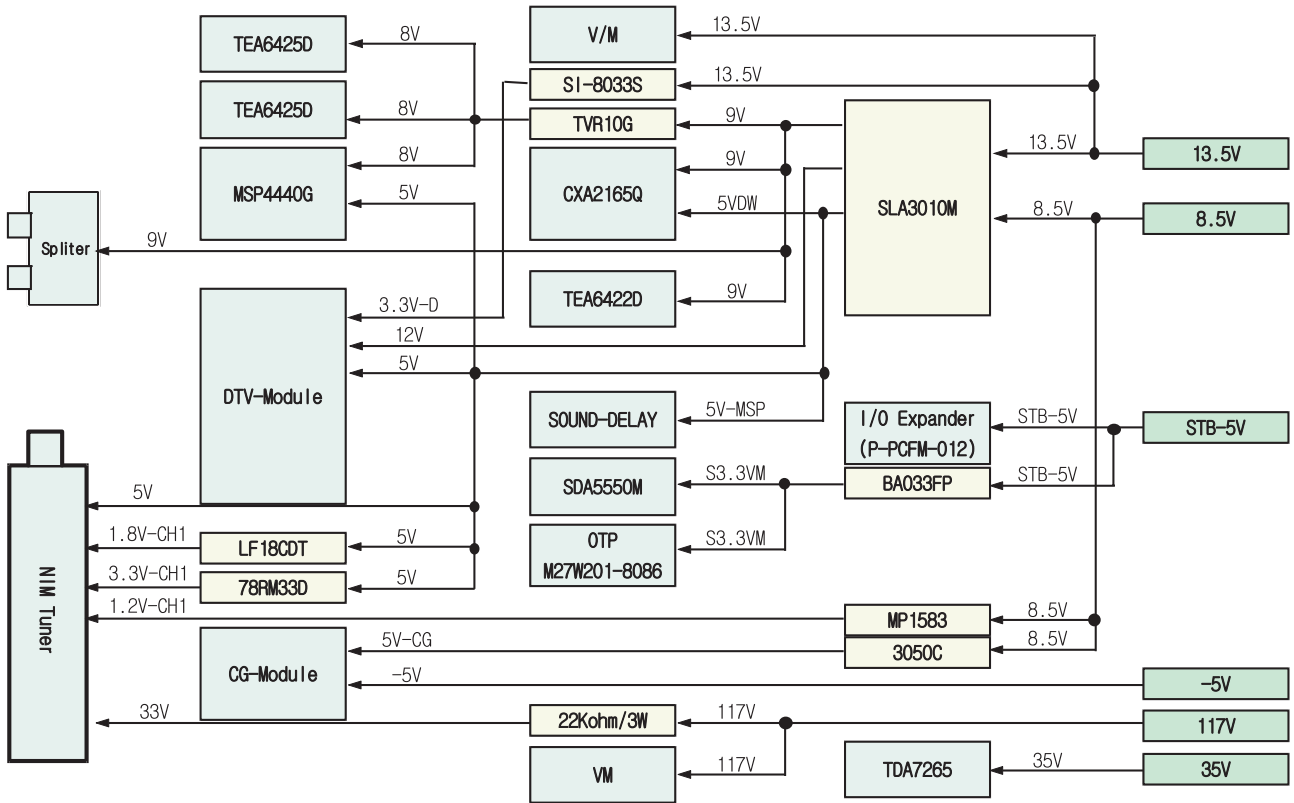
6-7 Video Signal



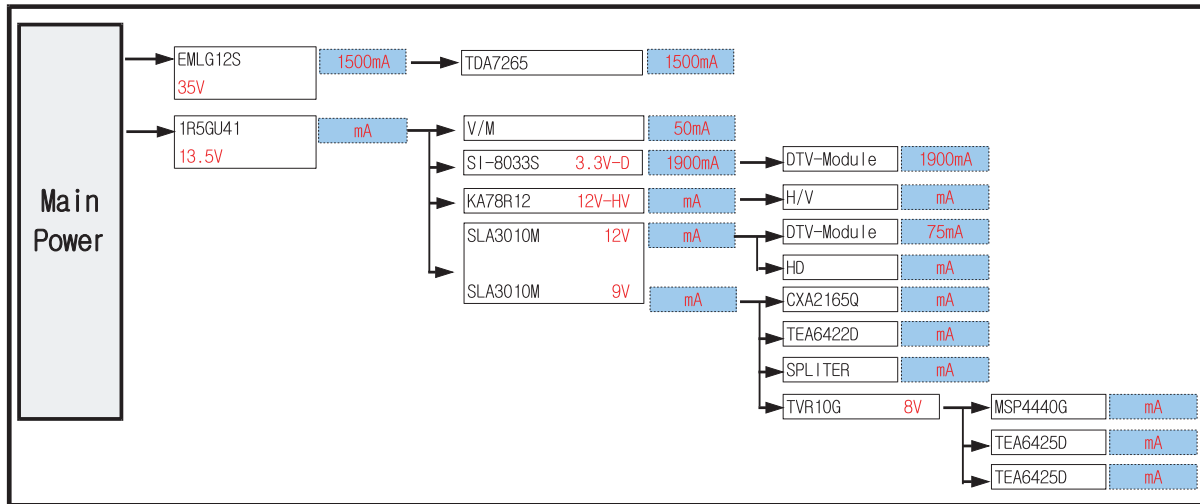
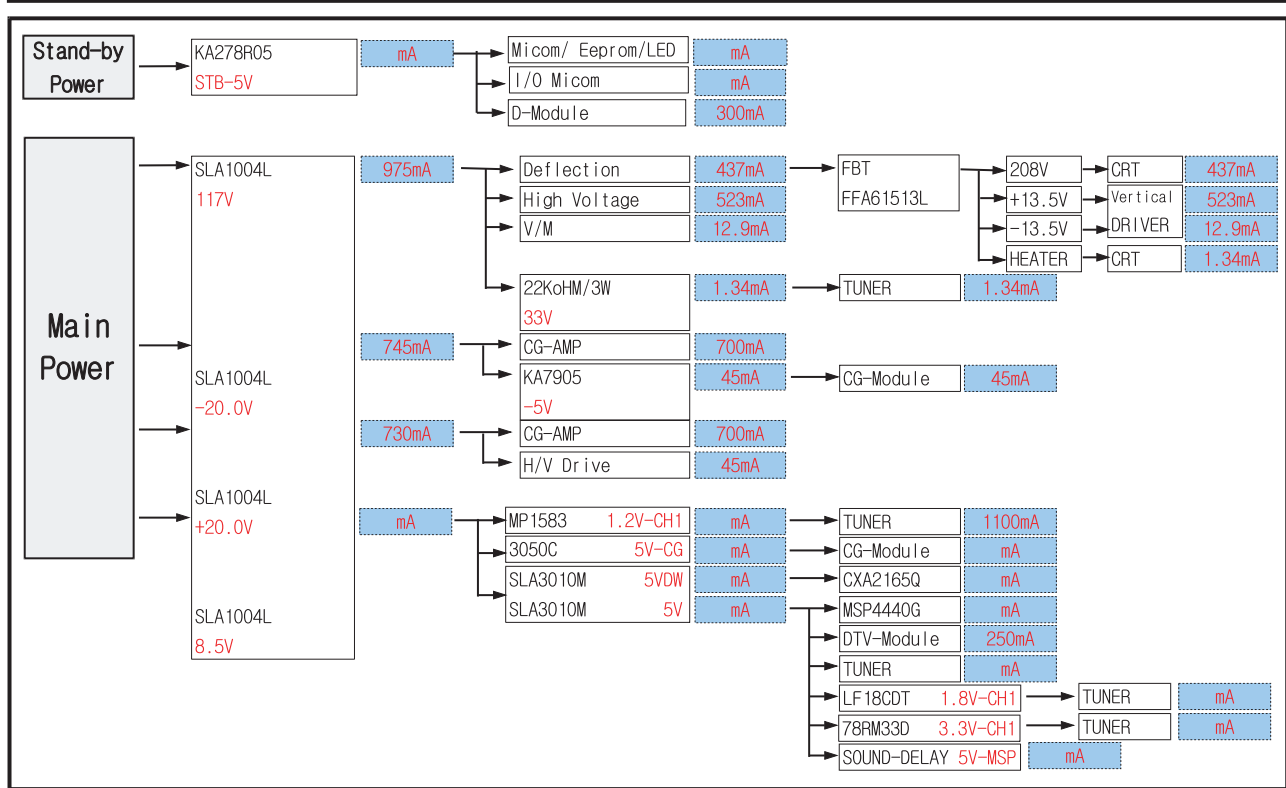
6-8 Sound Signal



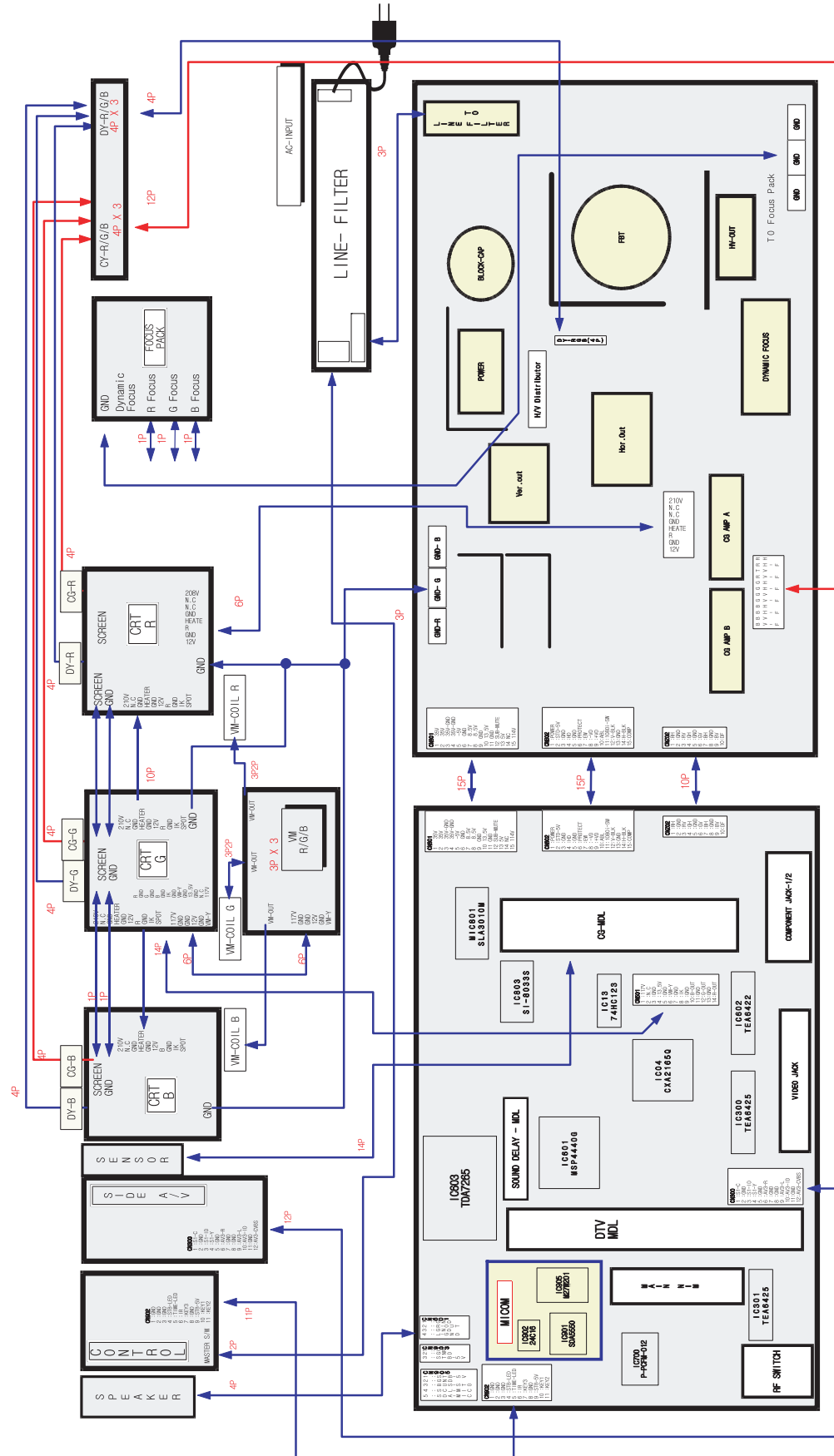
6-9 Power Signal



6-10 Voltage/Current Diagram



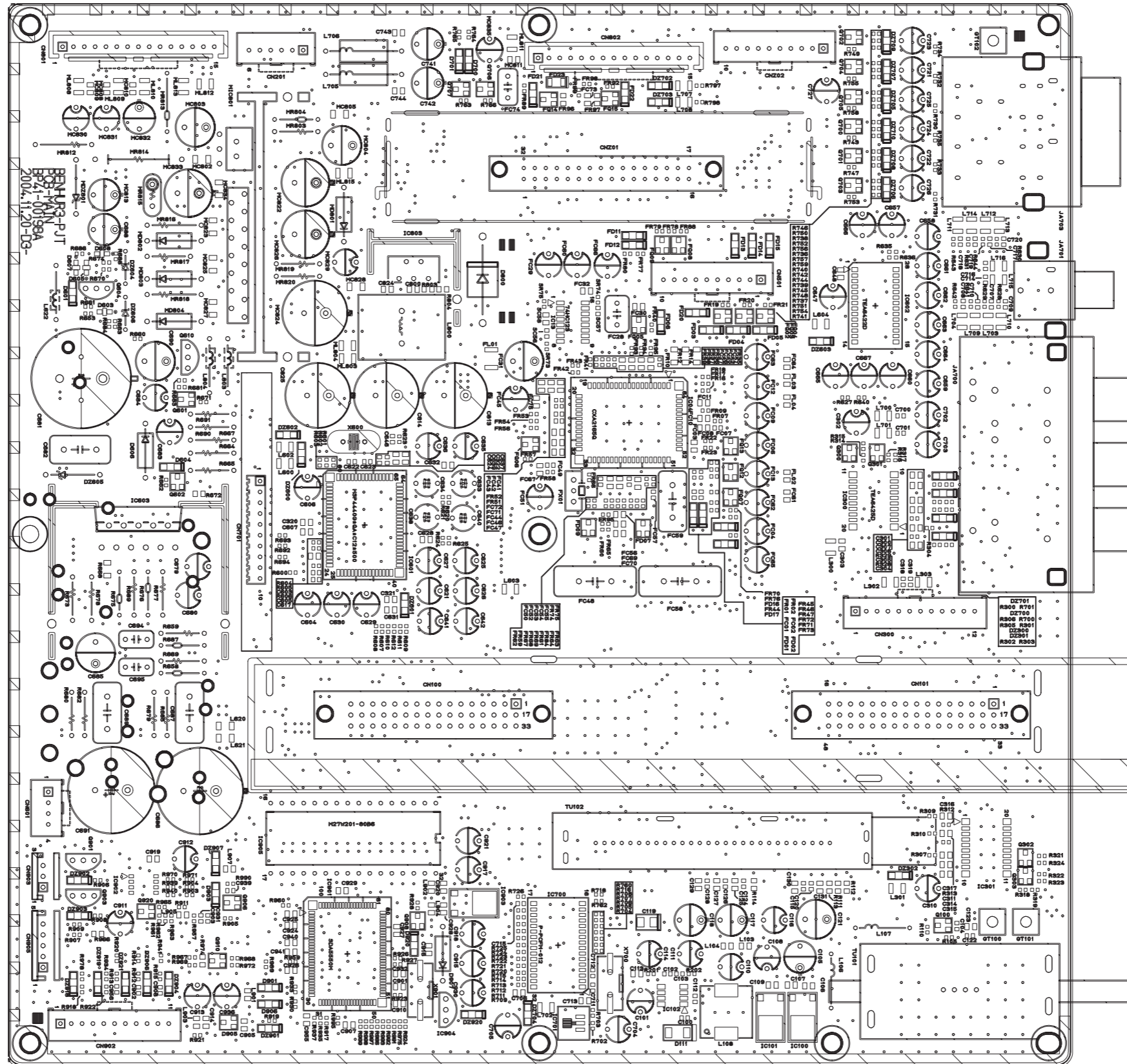
6-11 Connection Diagram



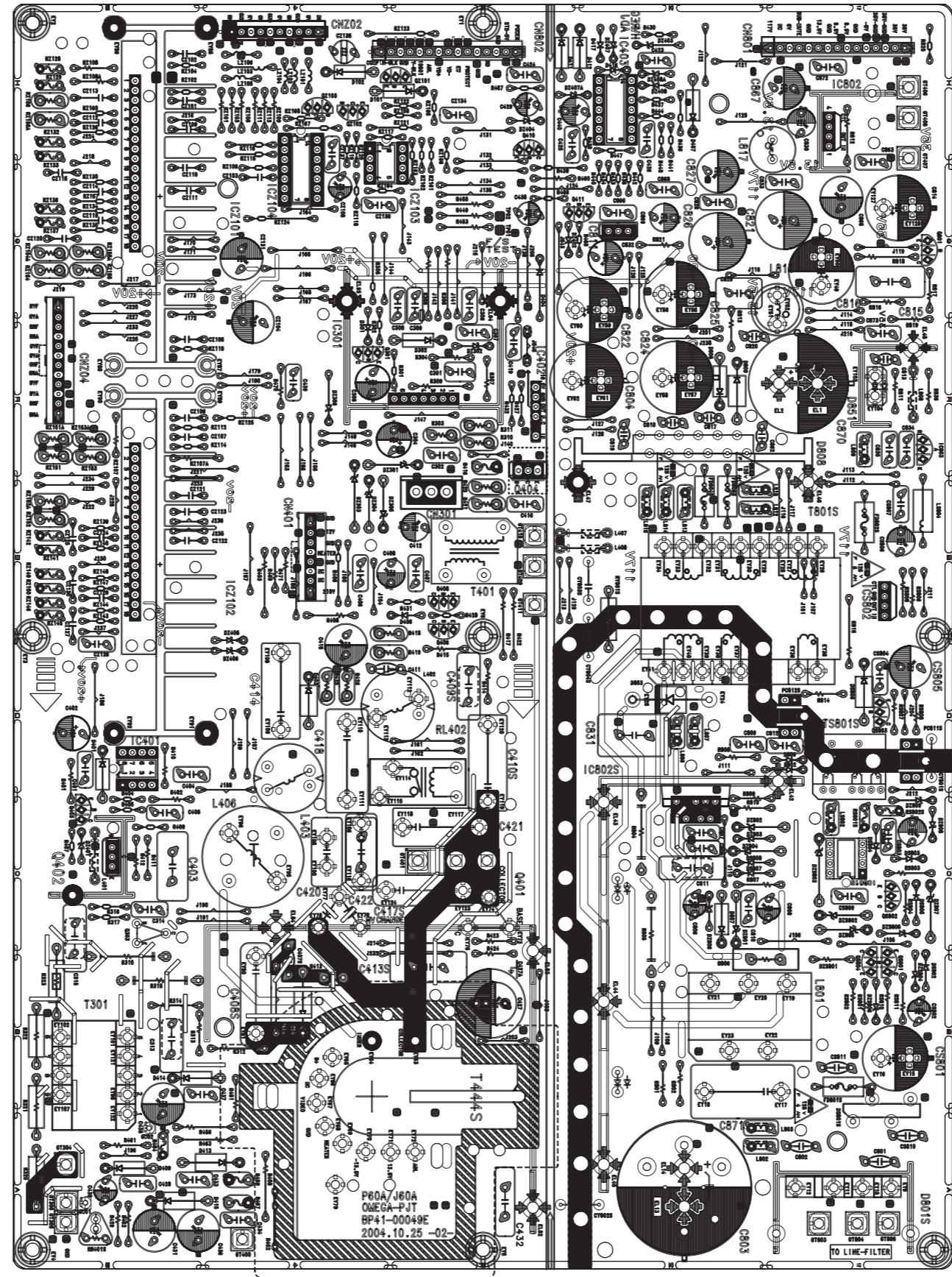
MEMO

7. PCB Diagram

7-1 MAIN PCB



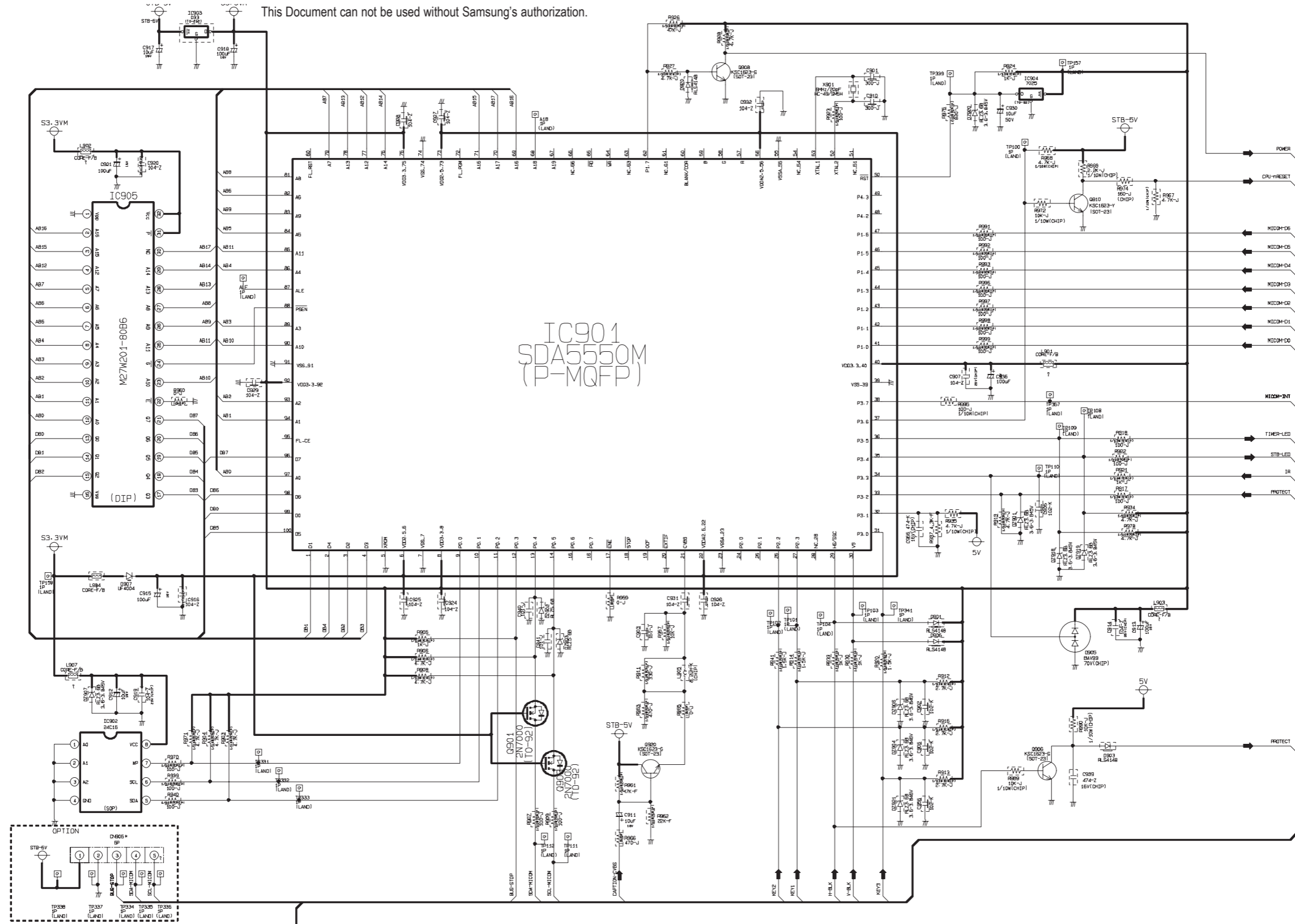
7-2 SUB PCB



8. Schematic Diagram

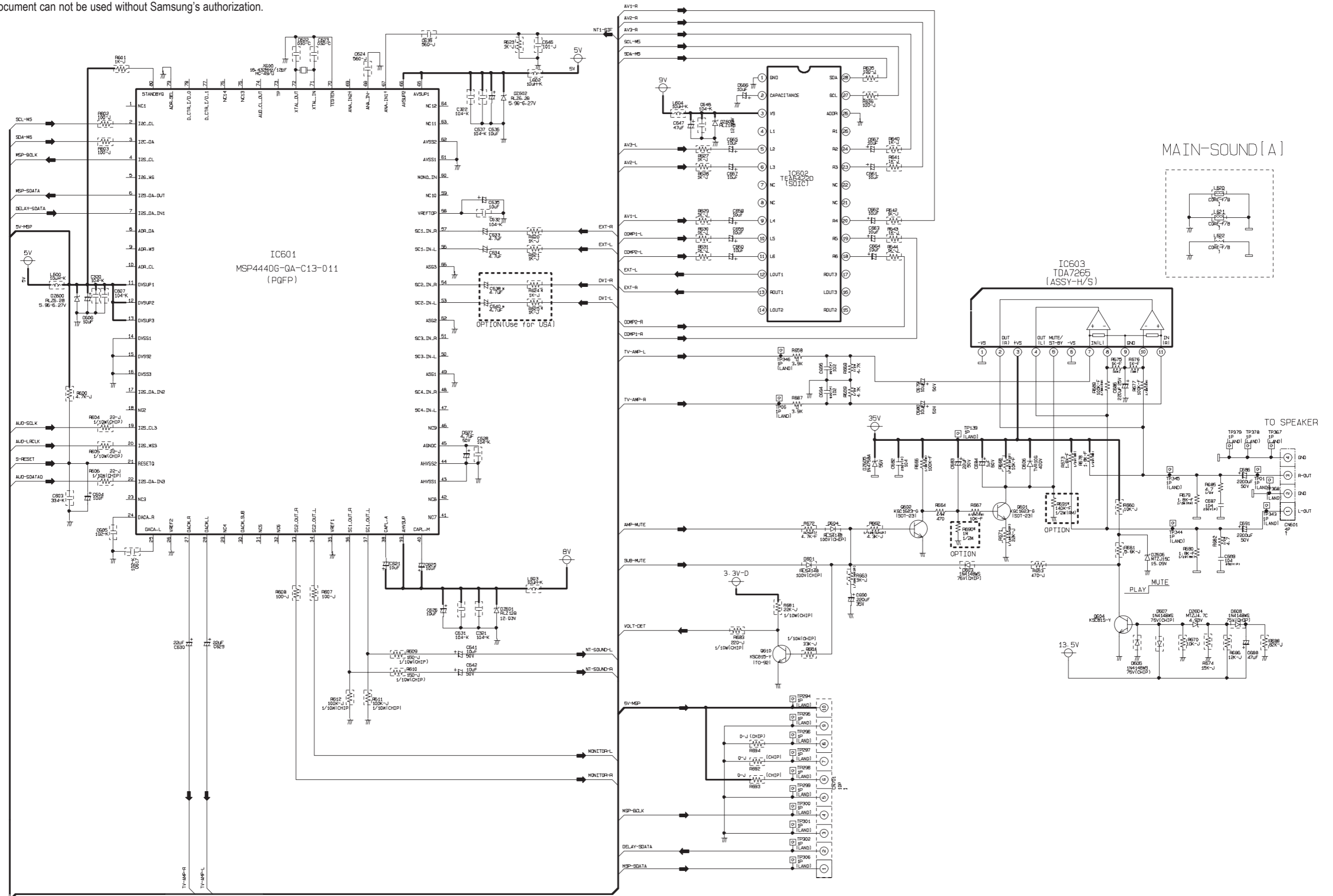
8-1 MAIN Board

8-1-1 MAIN-1



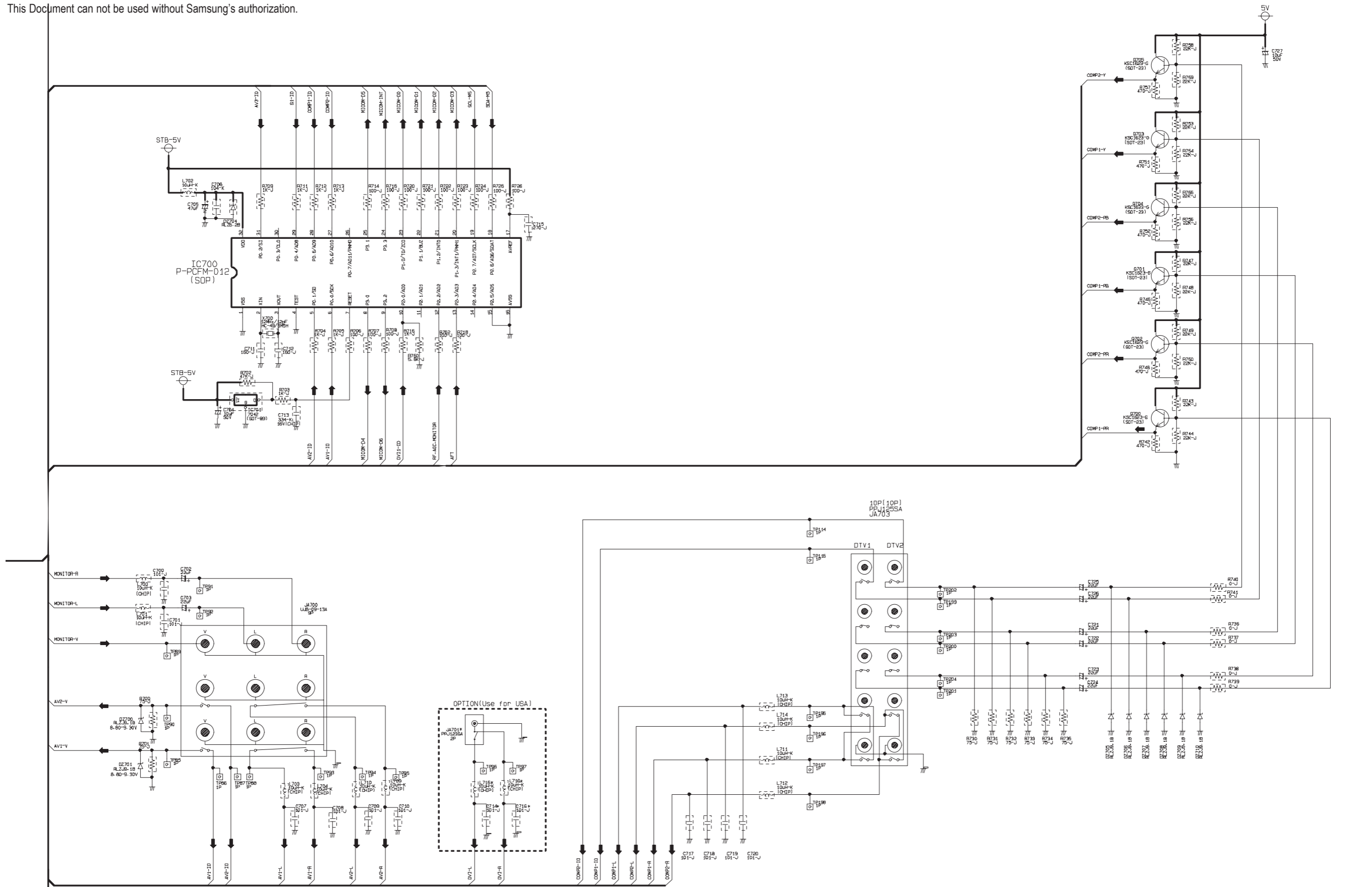
8-1-2 MAIN-2

This Document can not be used without Samsung's authorization.



8-1-4 MAIN-4

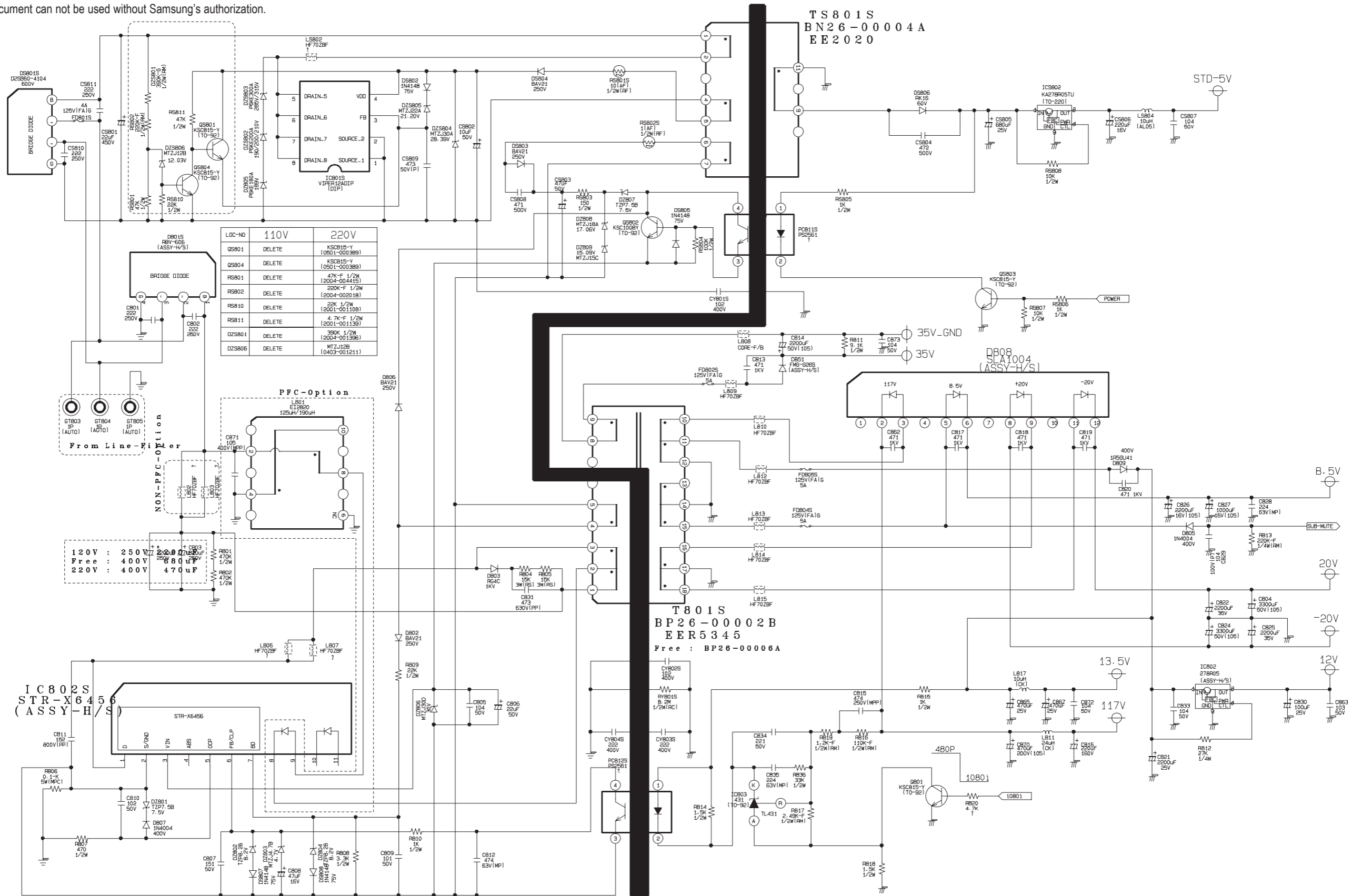
This Document can not be used without Samsung's authorization.



8-2 SUB Board

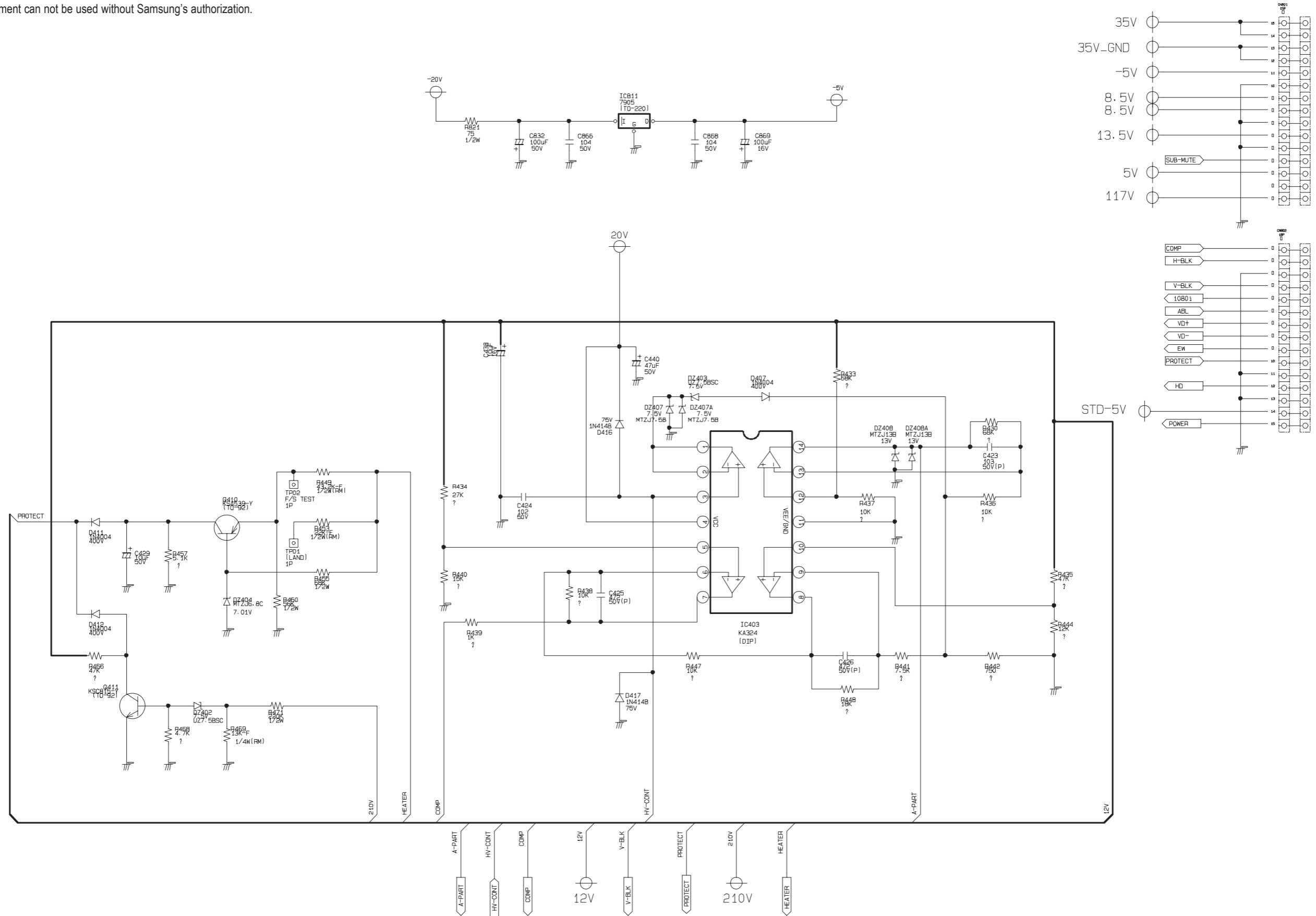
8-2-1 SUB-1

This Document can not be used without Samsung's authorization.



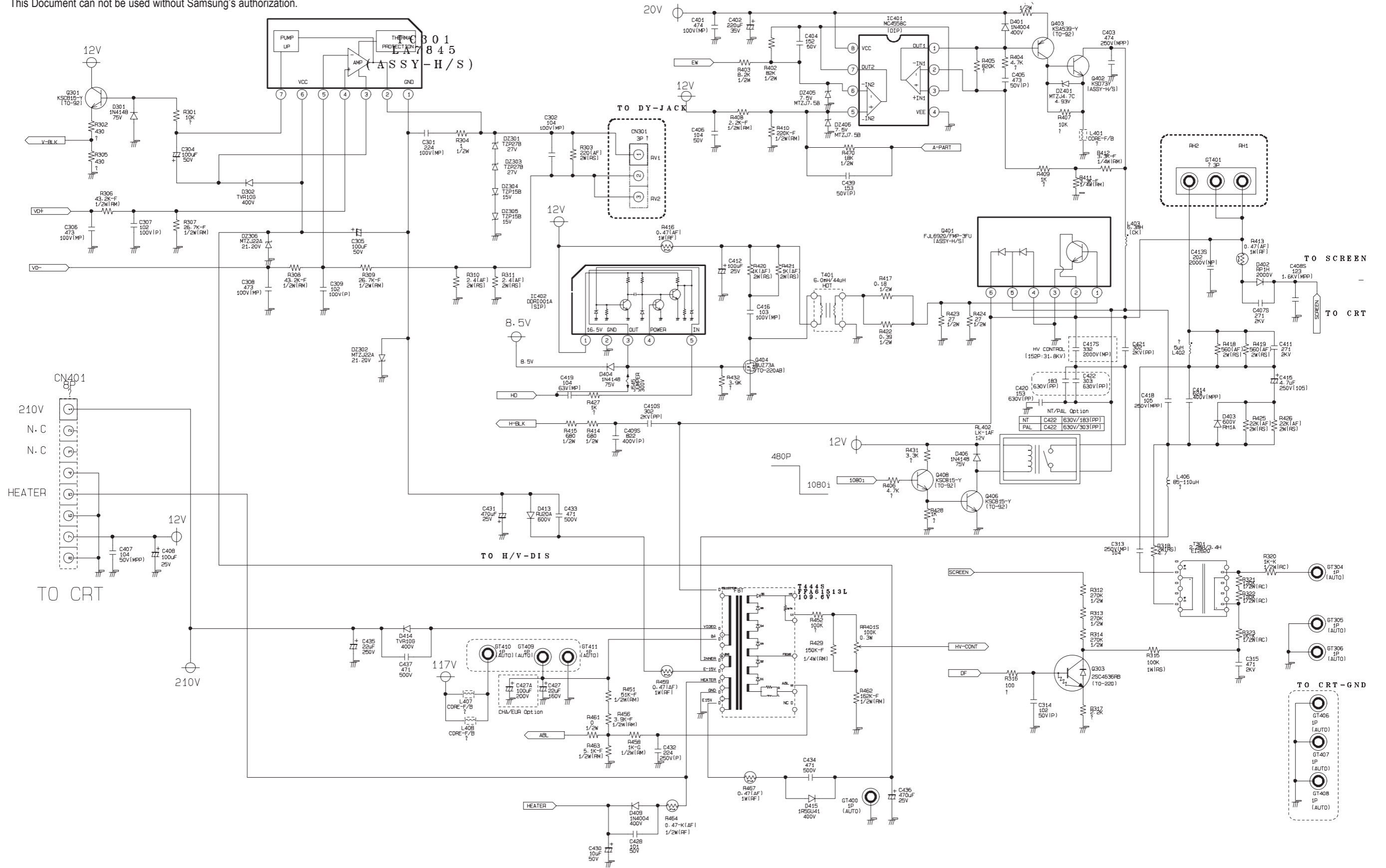
8-2-2 SUB-2

This Document can not be used without Samsung's authorization.



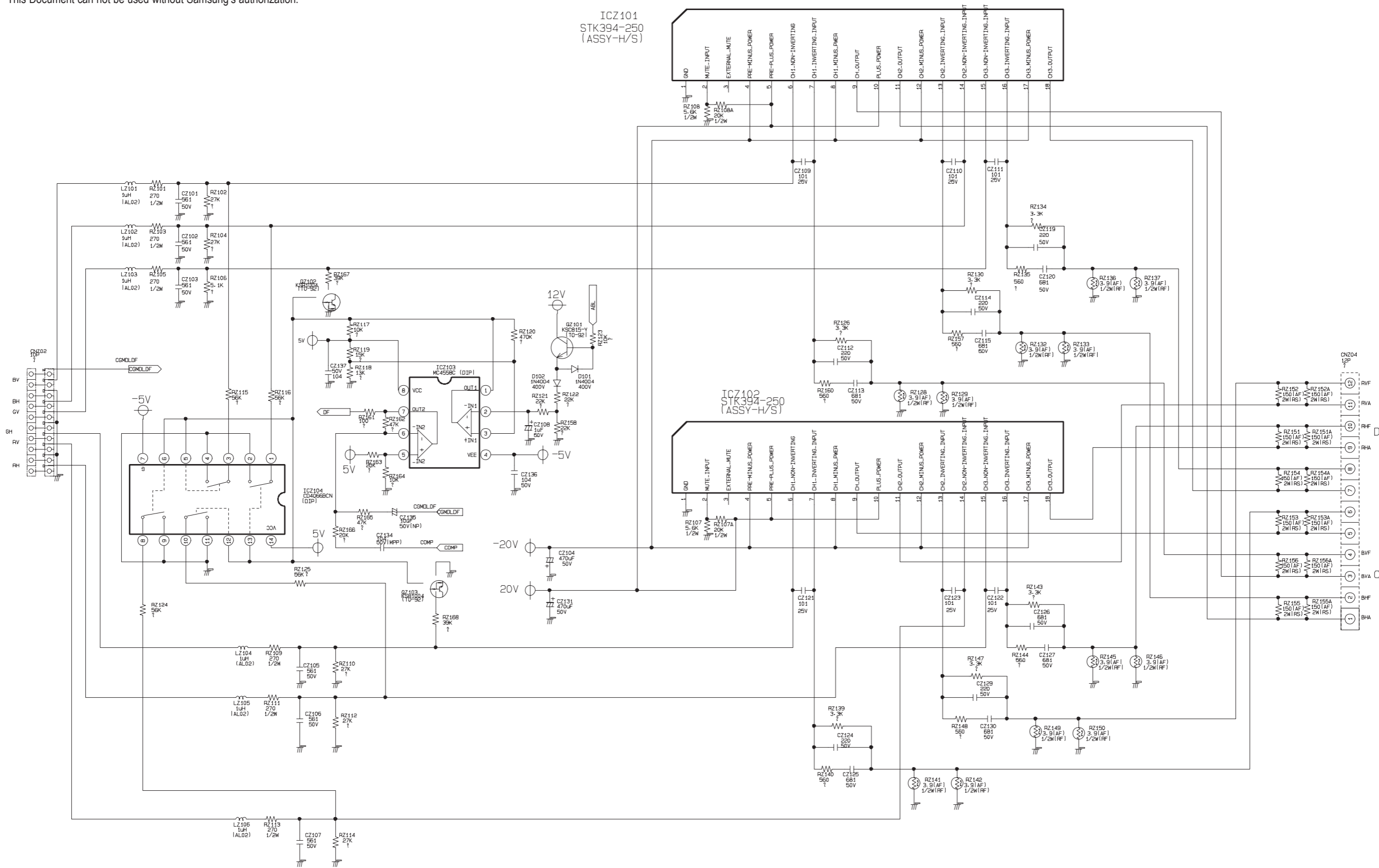
8-2-3 SUB-3

This Document can not be used without Samsung's authorization.



8-2-4 SUB-4

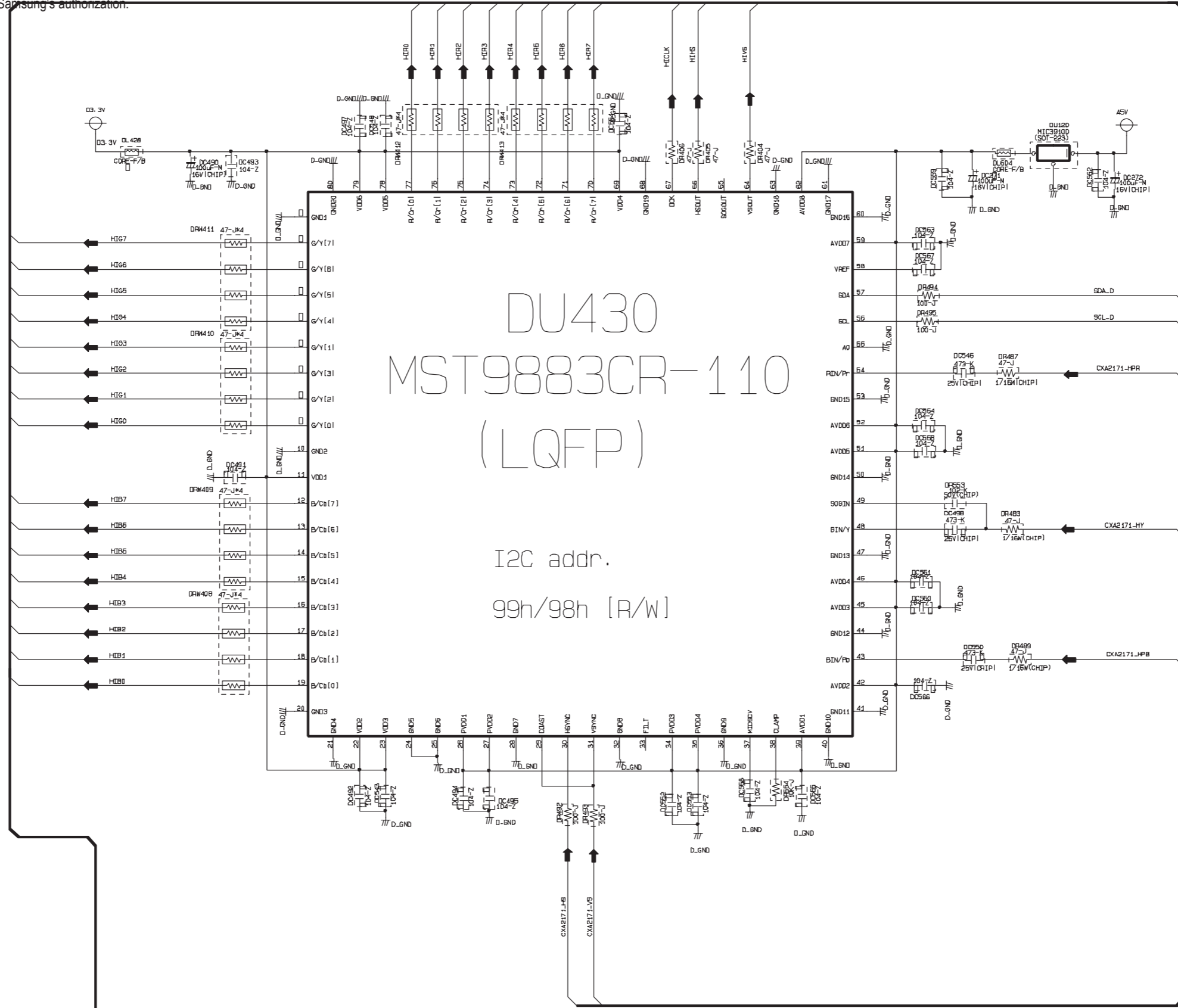
This Document can not be used without Samsung's authorization.



8-3 DTV Board

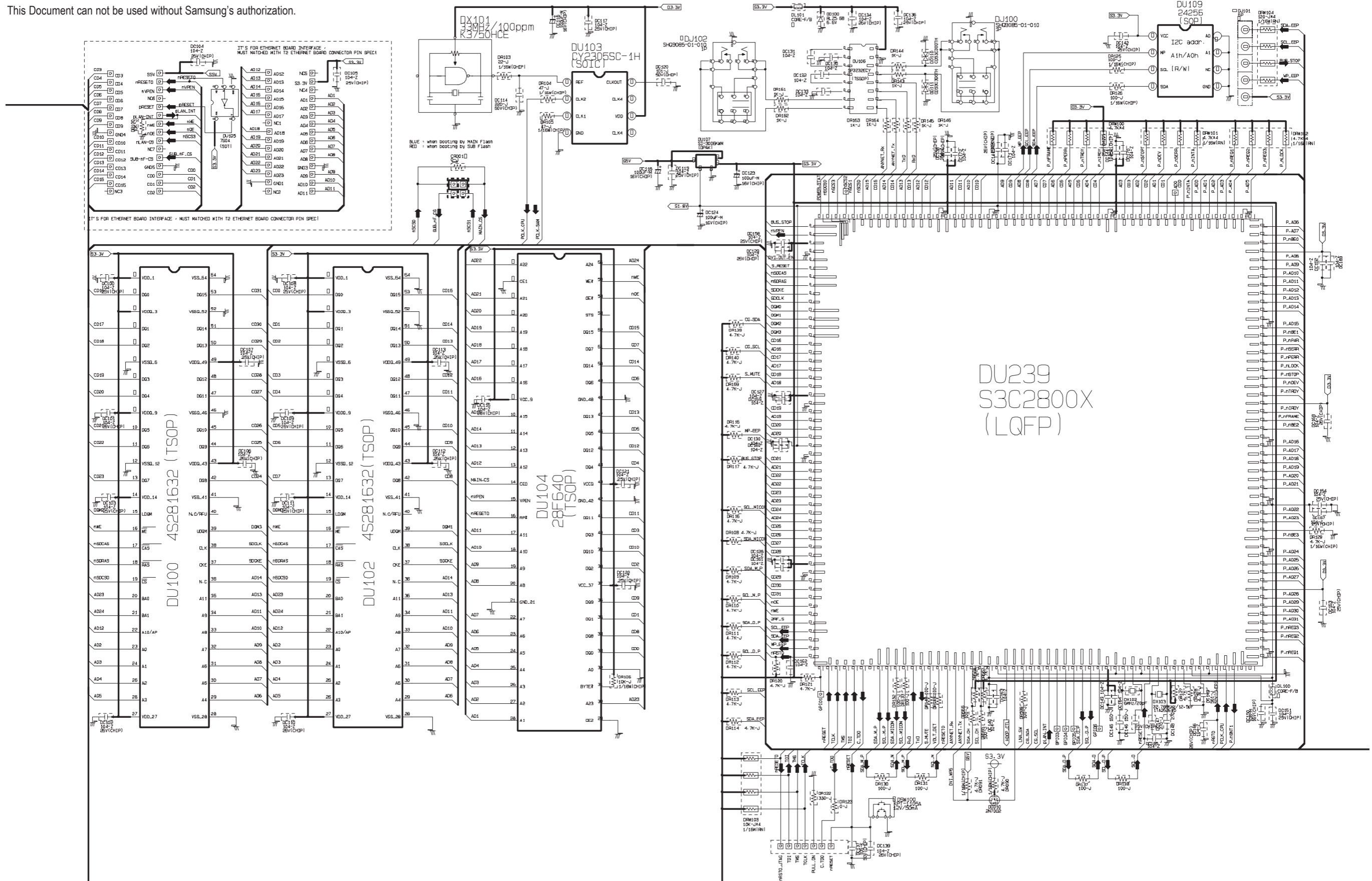
8-3-1 DTV Module-1

This Document can not be used without Samsung's authorization.



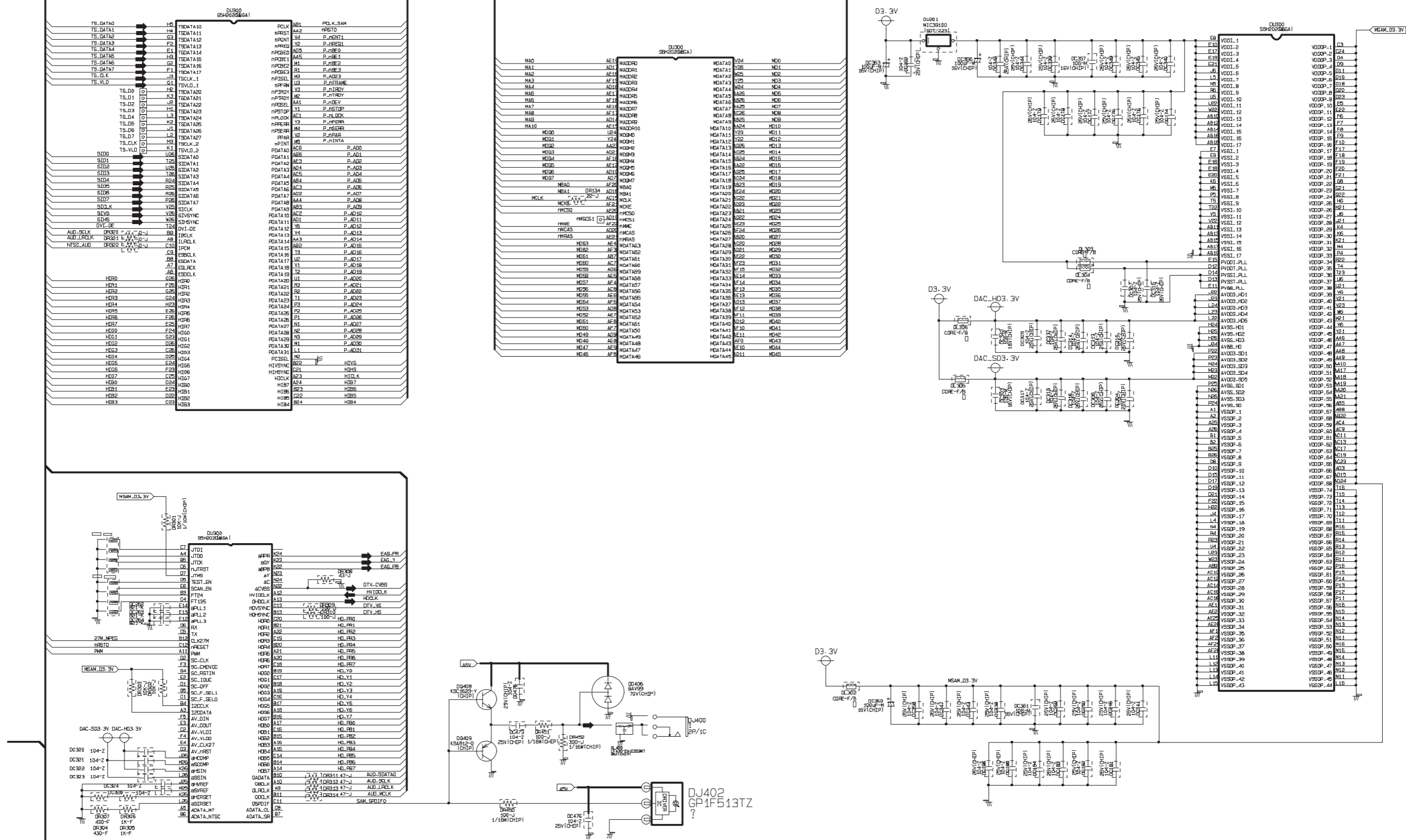
8-3-2 DTV Module-2

This Document can not be used without Samsung's authorization.



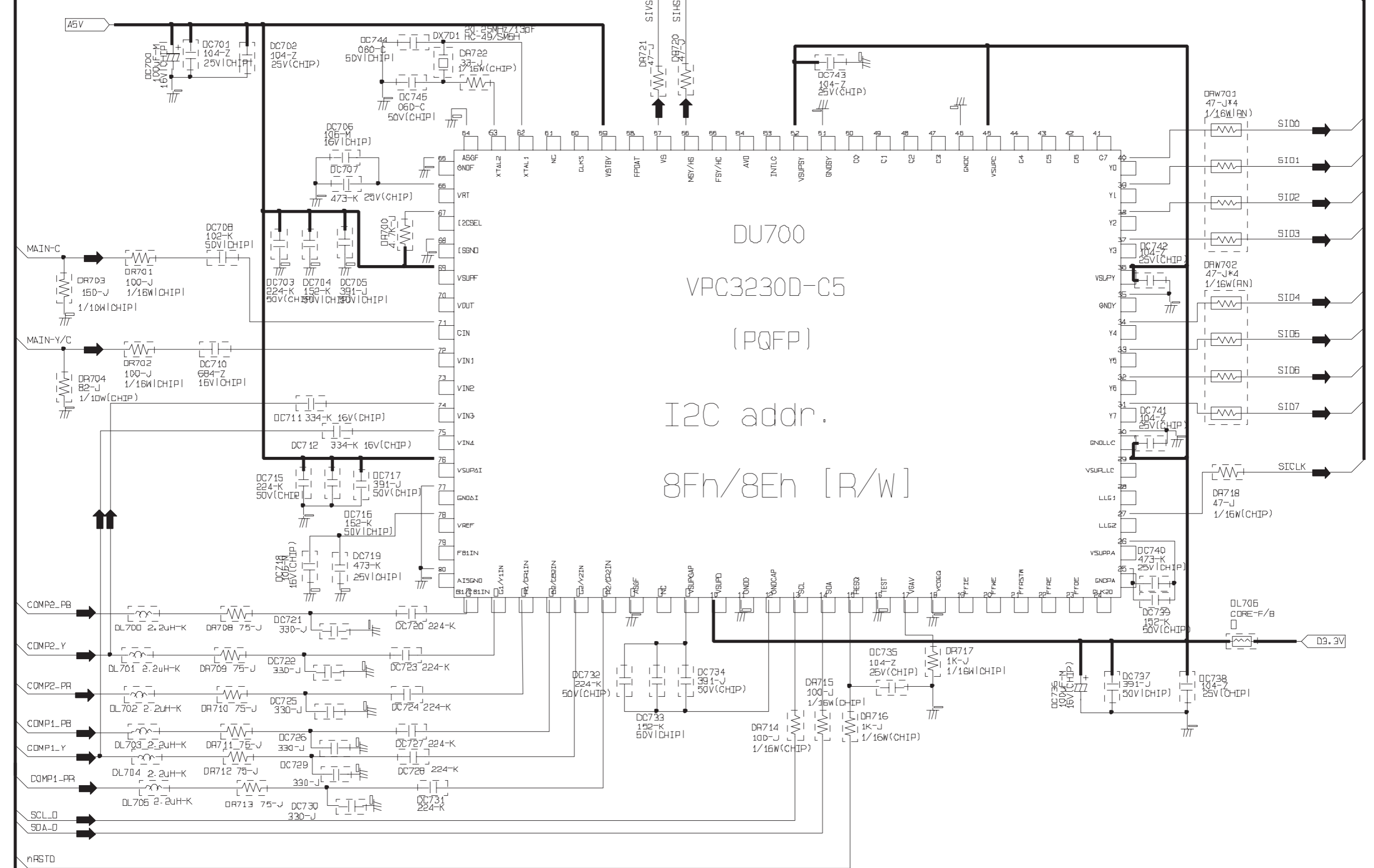
8-3-3 DTV Module-3

This Document can not be used without Samsung's authorization.



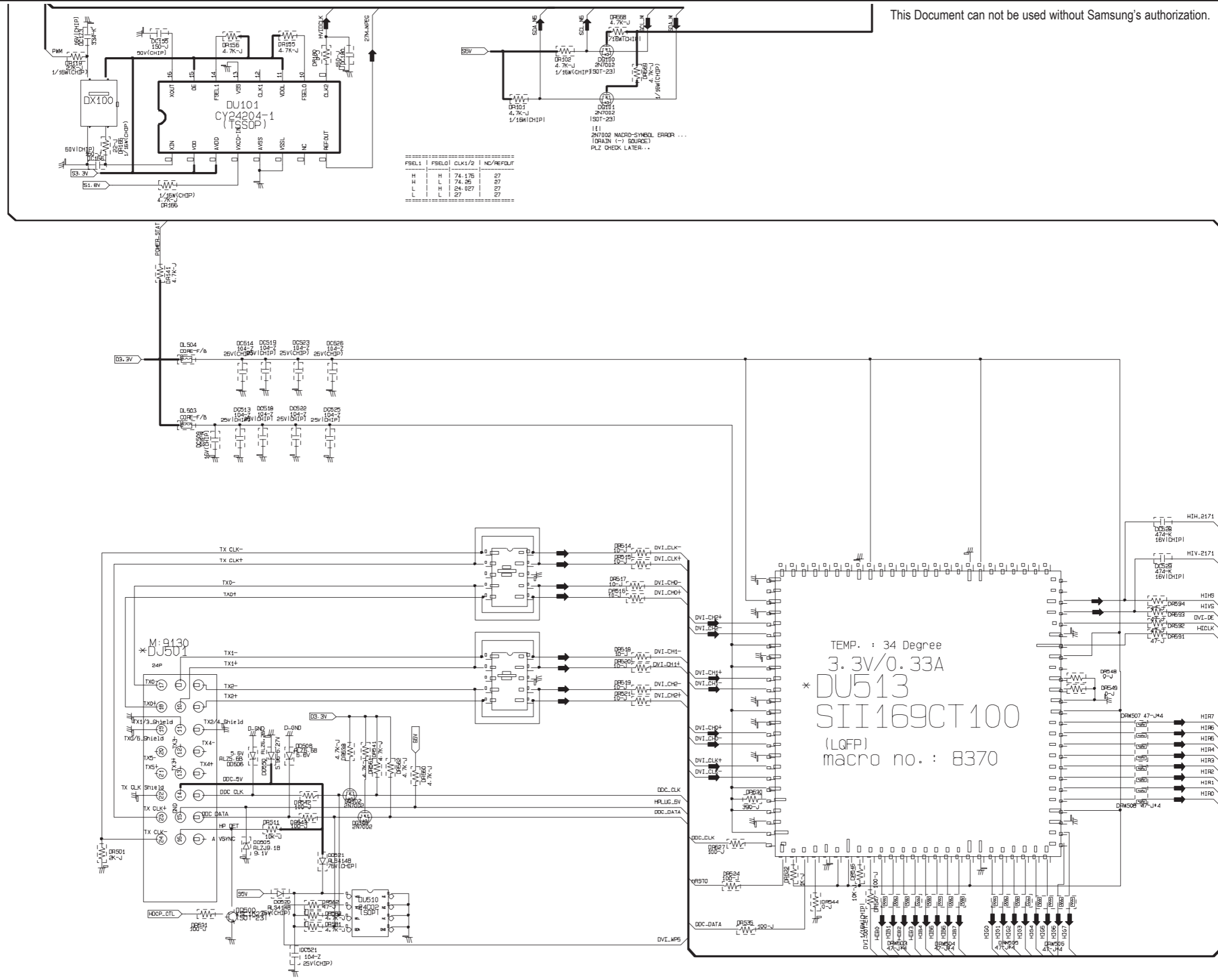
8-3-4 DTV Module-4

This Document can not be used without Samsung's authorization.



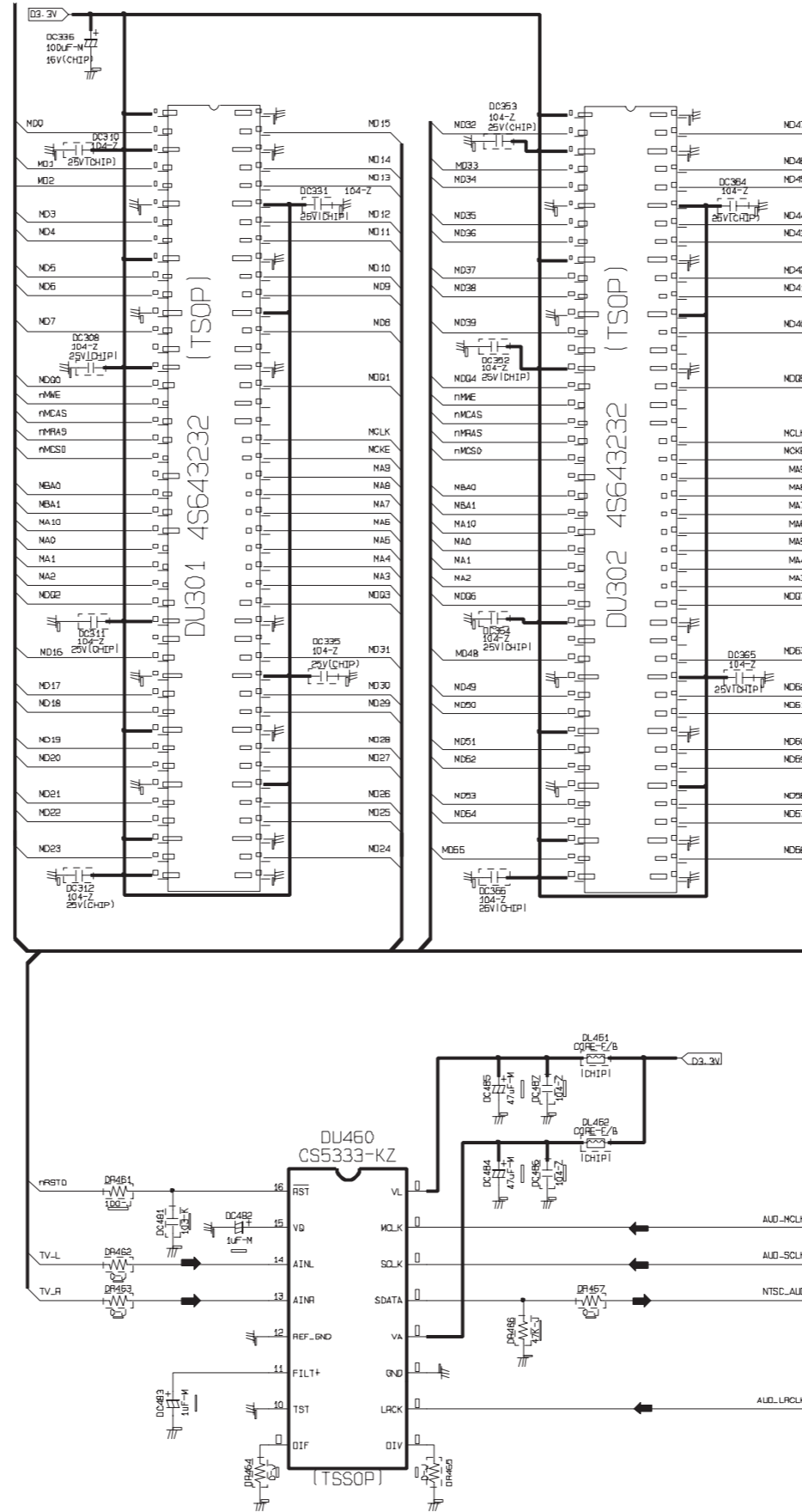
8-3-5 DTV Module-5

This Document can not be used without Samsung's authorization.



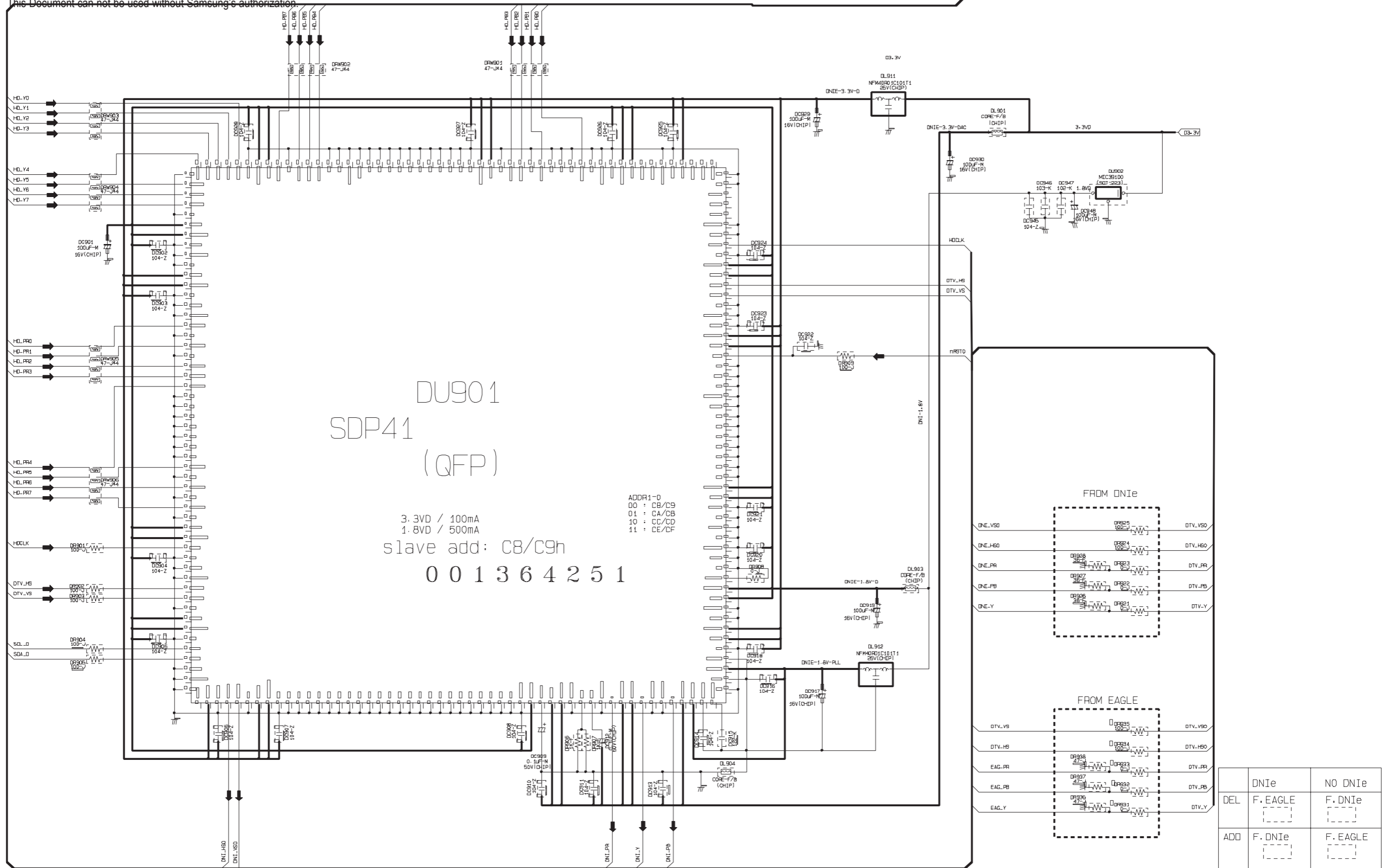
8-3-6 DTV Module-6

This Document can not be used without Samsung's authorization.



8-3-8 DTV Module-8

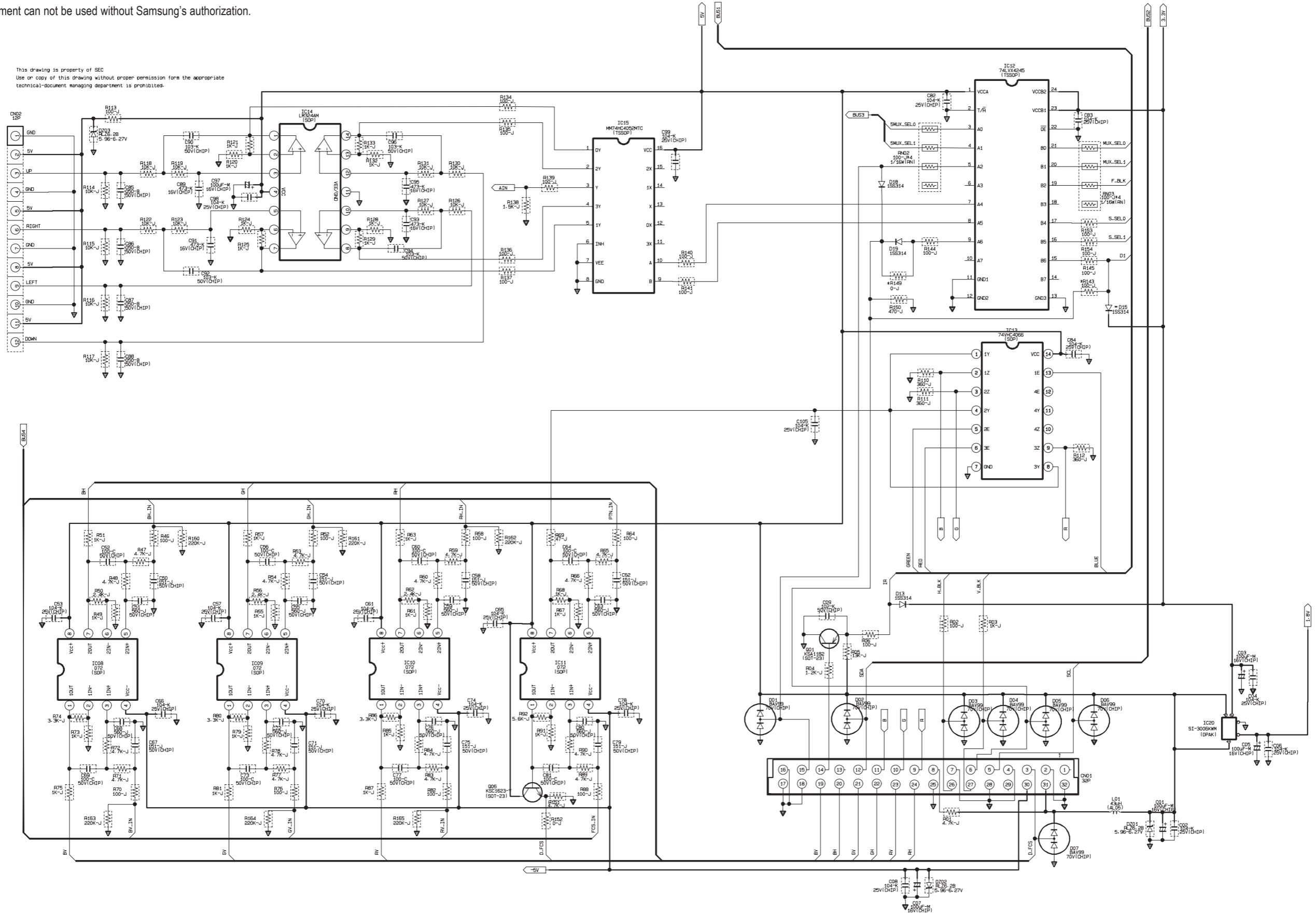
This Document can not be used without Samsung's authorization.



	DNIe	NO DNIe
DEL	F. EAGLE	F. DNIe
ADD	F. DNIe	F. EAGLE

8-4-2 Convergence Module-2

This Document can not be used without Samsung's authorization.

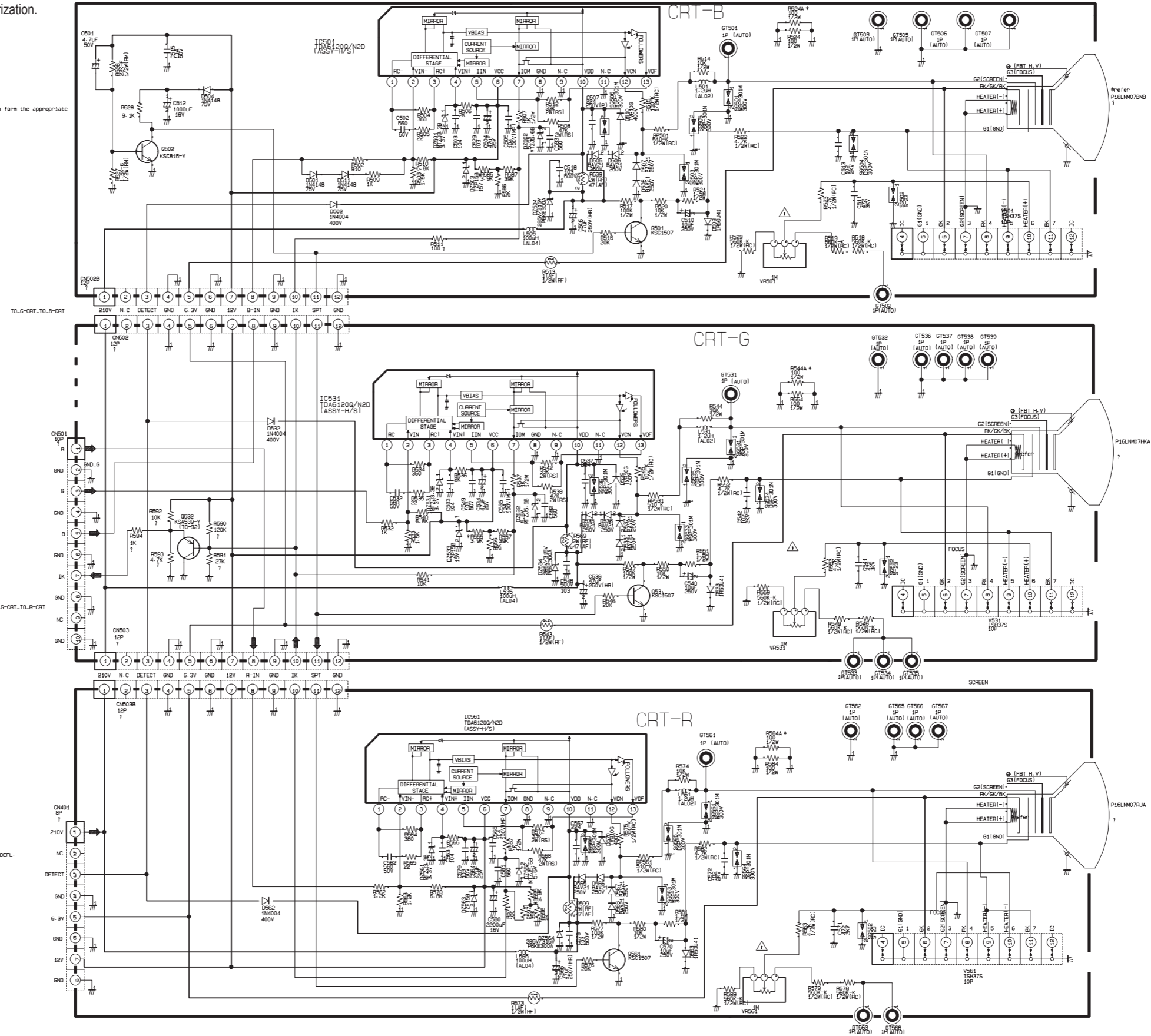


8-5 CRT-PCB

This Document can not be used without Samsung's authorization.

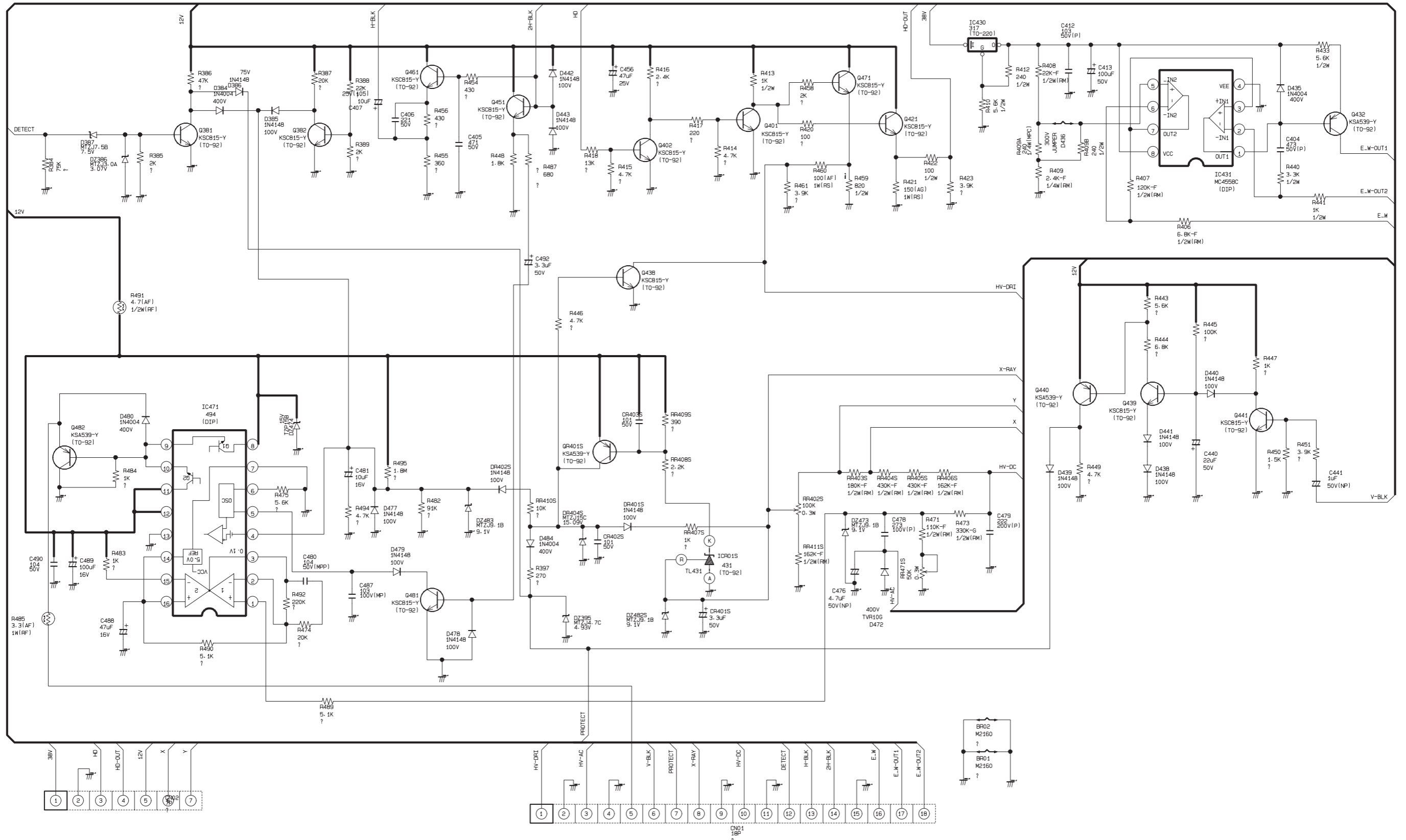
P58A
HCN559W
CRT PCB

This drawing is property of SEC
Use or copy of this drawing without proper permission from the appropriate
technical-document managing department is prohibited.



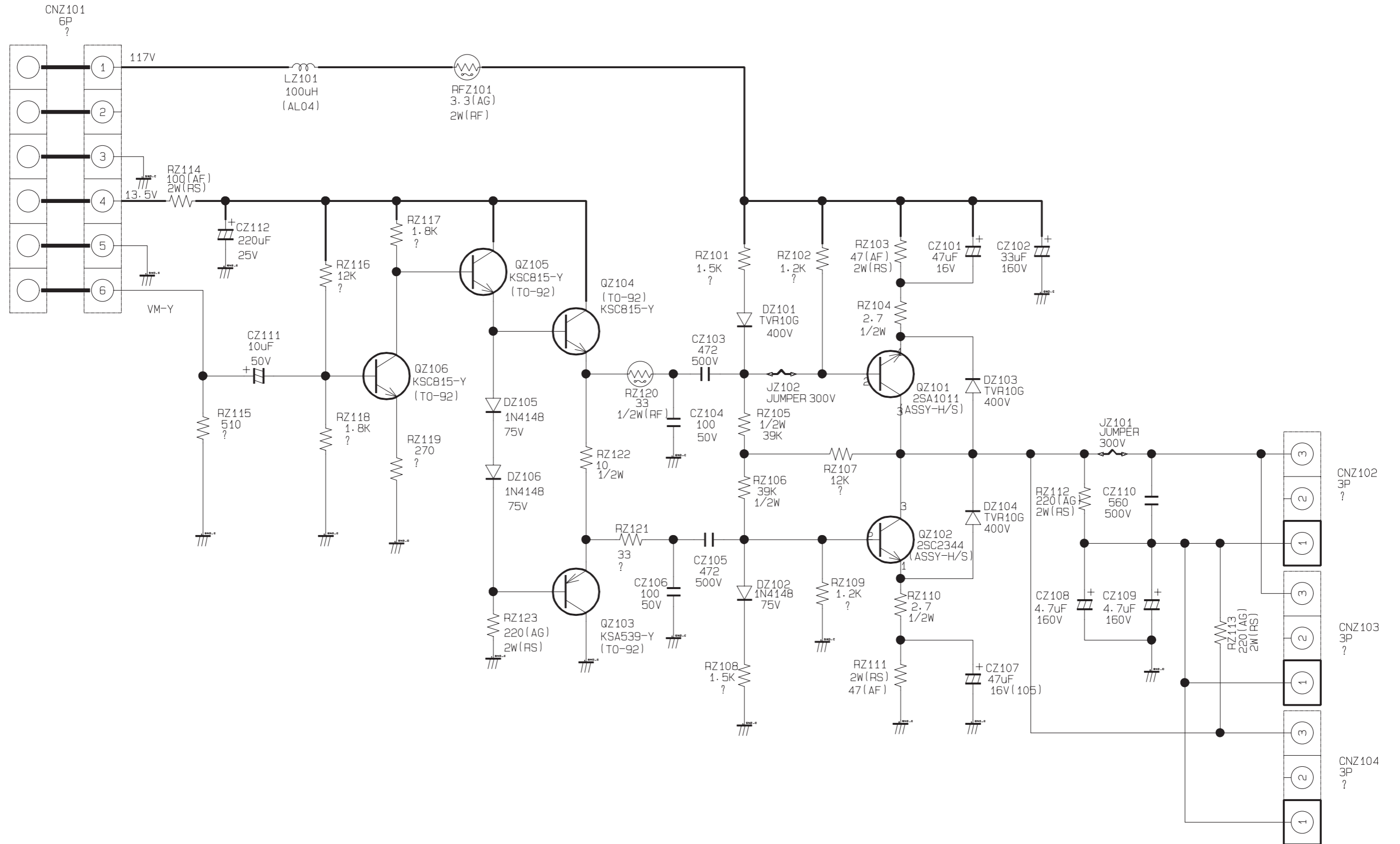
8-6 HV_Module

This Document can not be used without Samsung's authorization.



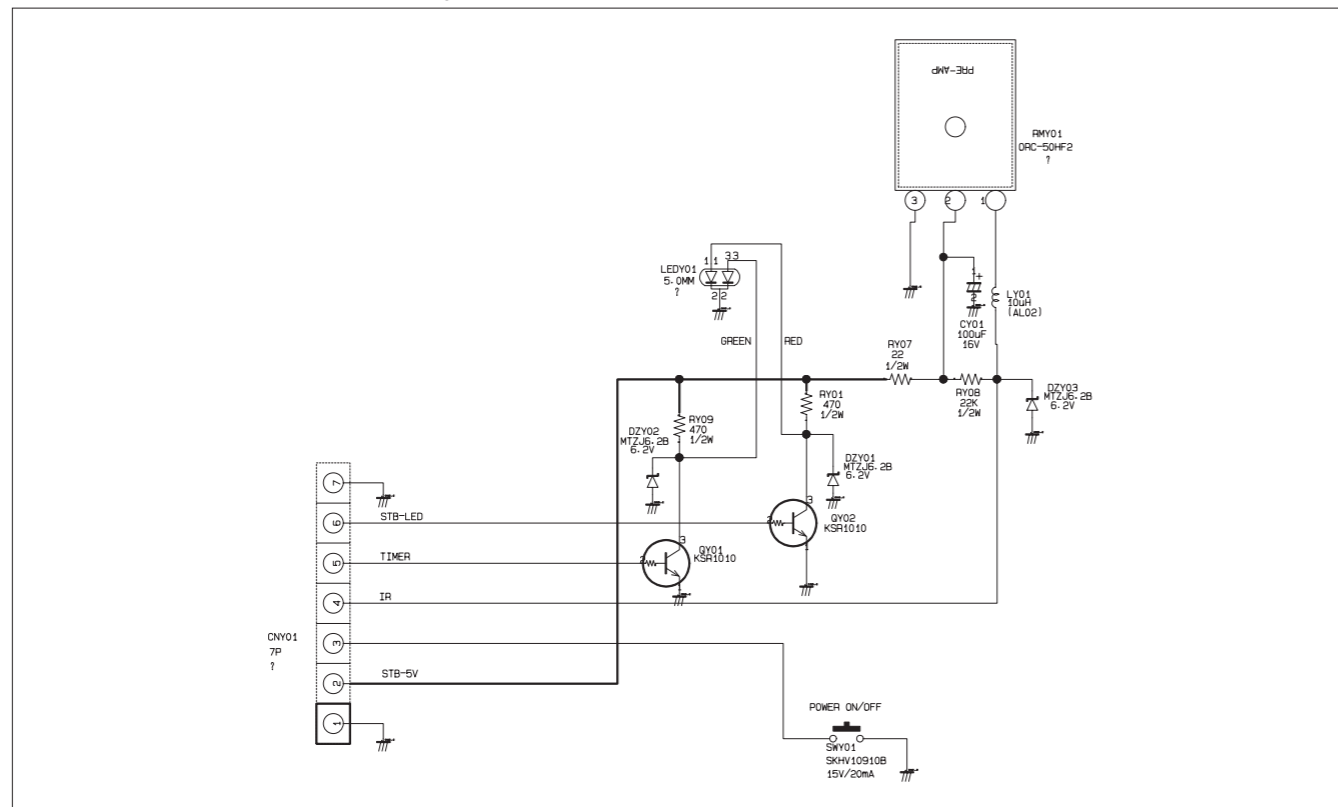
8-7 VM_Module

This Document can not be used without Samsung's authorization.



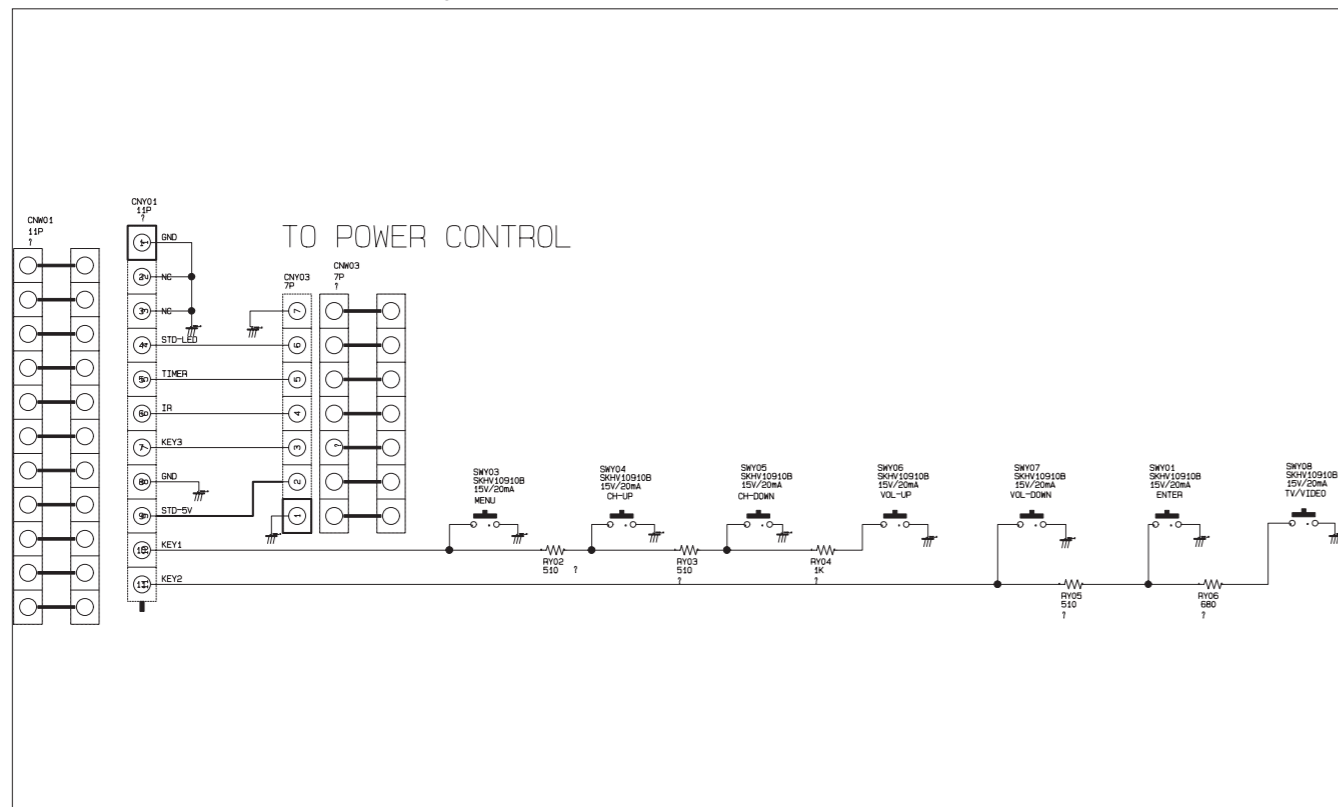
8-8 PWR_Control

This Document can not be used without Samsung's authorization.



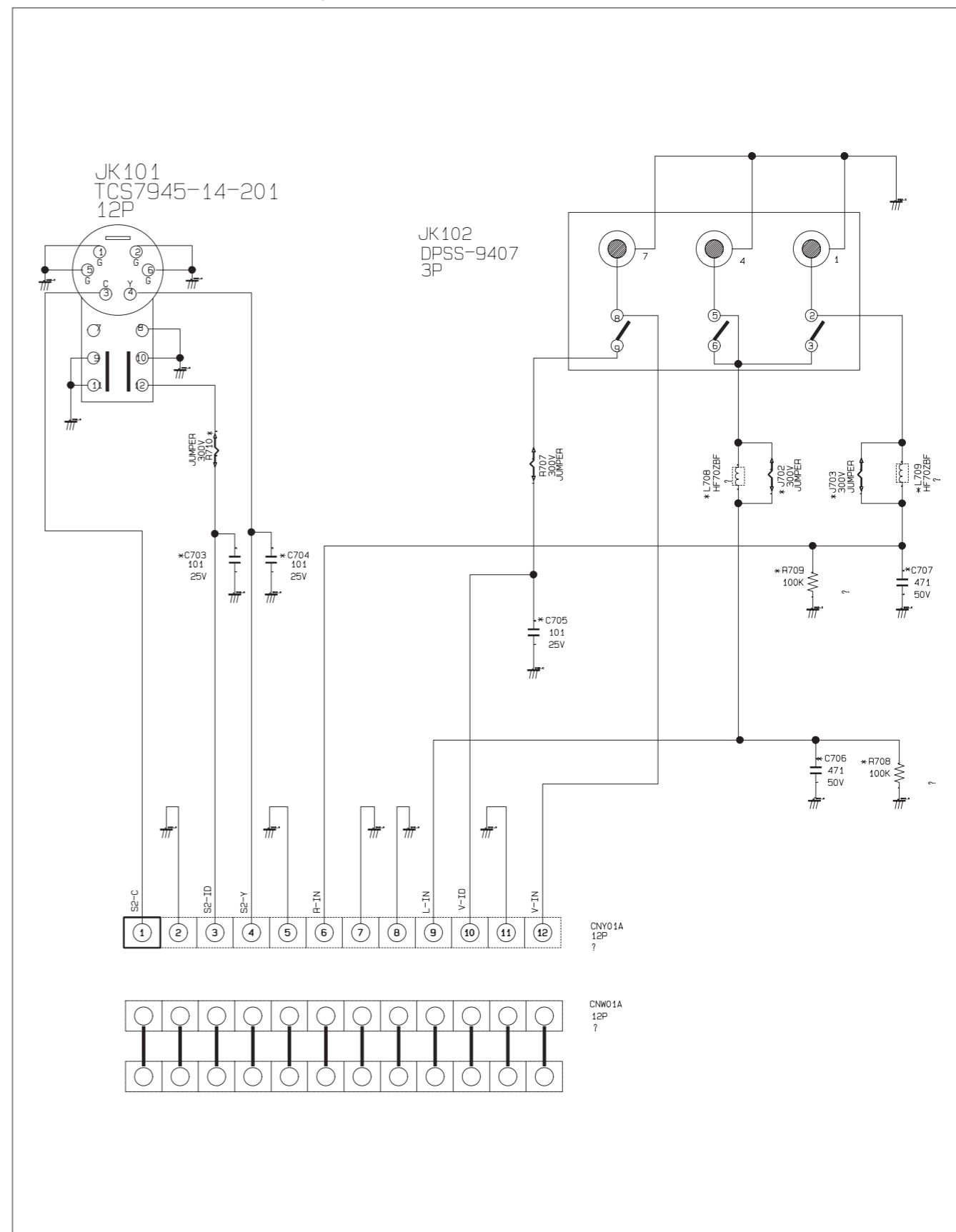
8-9 Key Control

This Document can not be used without Samsung's authorization.



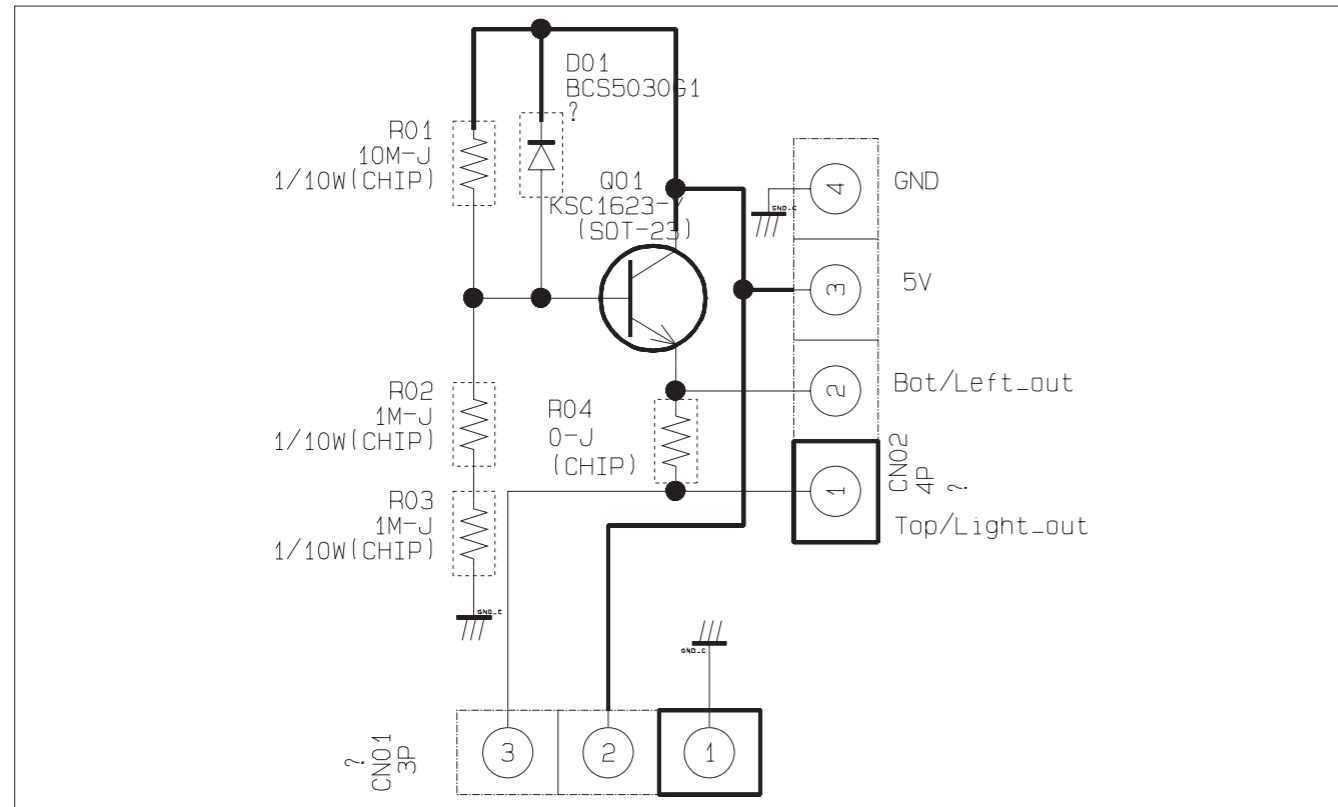
8-10 Side-AV

This Document can not be used without Samsung's authorization.



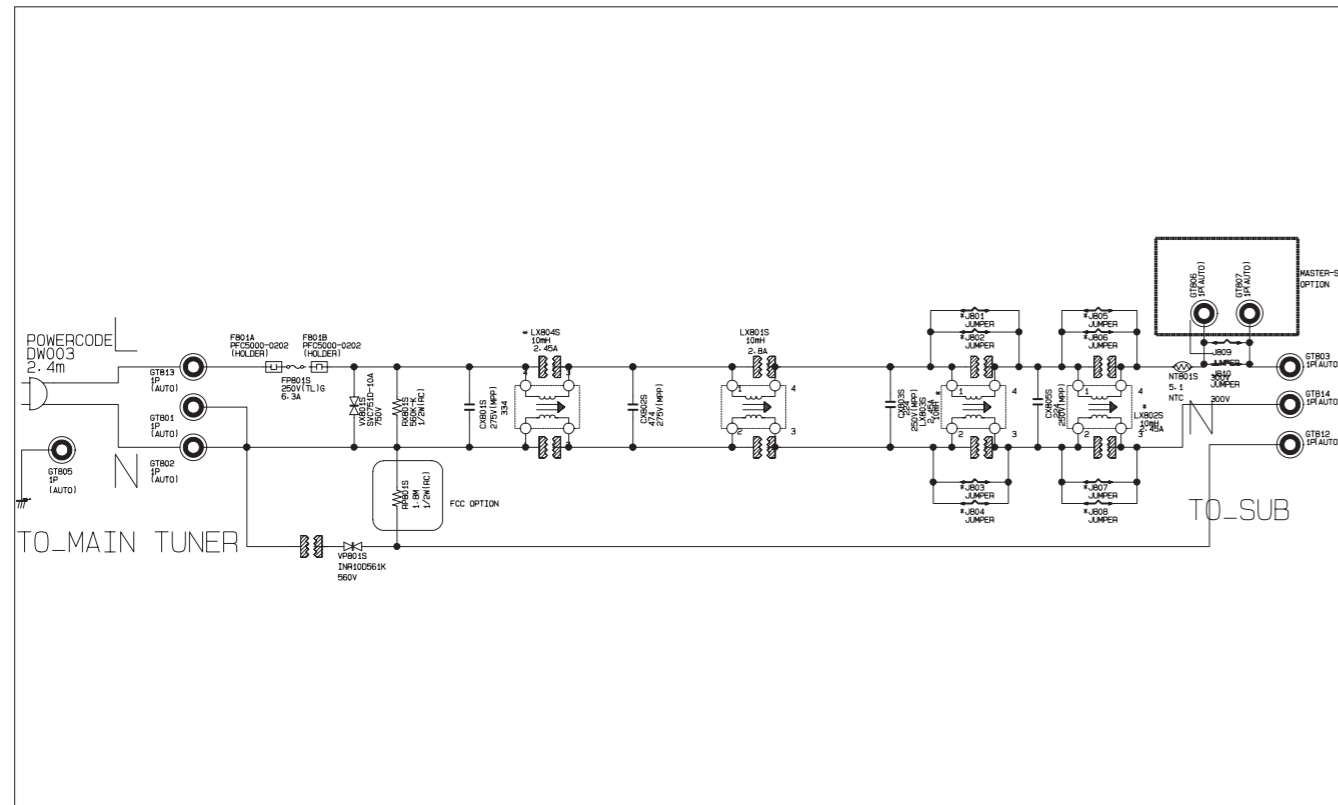
8-11 Sensor

This Document can not be used without Samsung's authorization.



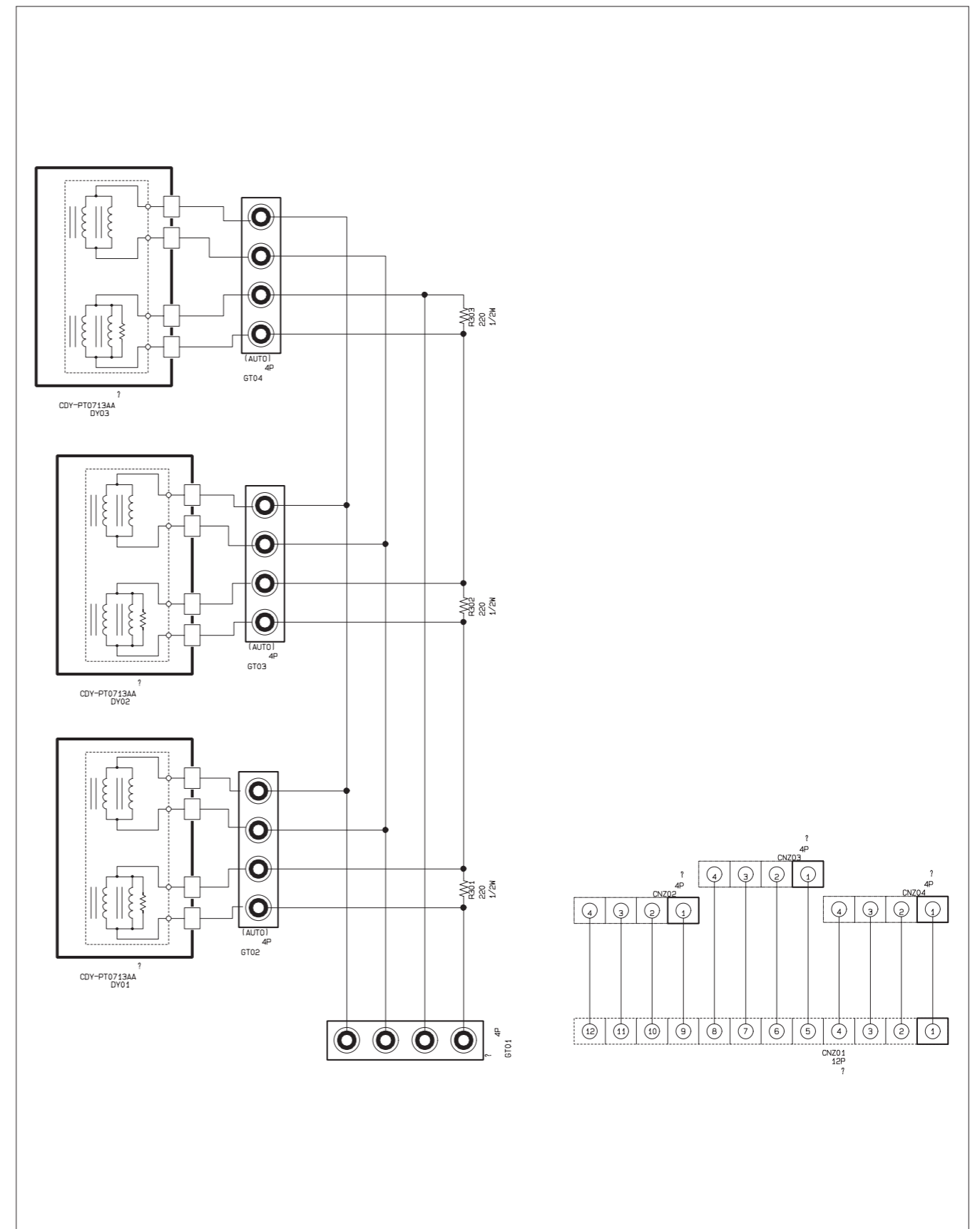
8-12 Line-Filter

This Document can not be used without Samsung's authorization.



8-13 DY-JACK

This Document can not be used without Samsung's authorization.



Electrical Part List

Level	Loc.No.	Code No.	Description;Specification	Remark	Level	Loc.No.	Code No.	Description;Specification	Remark
.2	M2893	BP39-00018A	LEAD CONNECTOR;P55A/HCM4215W,UL2547#26,U	4	T0103	AA61-00812A	SPRING ETC-WIRE;PROJ,STS,3.6	S.N.A
.2	M2893	BP39-00178A	LEAD CONNECTOR;J60B,UL1007#22,4P,300mm,#	3	T0069	BN60-00027B	SPACER-FELT;PJT,VRT,FELT,L20,T1.0,W20	S.N.A
.2	M2893	BP39-00180A	LEAD CONNECTOR;J60B,UL1617#22,UL/CSA,1P,	3	T0069	BN60-00027B	SPACER-FELT;PJT,VRT,FELT,L20,T1.0,W20	S.N.A
.2	M2893	BP39-00185A	LEAD CONNECTOR;J60B,UL1007#26,UL/CSA,11P	3	T0333	BP60-00059A	SPACER-CAP;DP,BP60-00050A,EPDM,BLK	S.N.A
.2	M0014	BP91-01182A	ASSY MISC-CHASSIS PACK(MAIN);HCR4355,P62	S.N.A3	T0108	BP61-00079A	HOLDER-DY;PJT,VT,0.5,NYLON66 V2	S.N.A
.2	T0065	BP94-00638A	ASSY PCB CRT;DP, HCR4252,P62A,BASIC : BP	3	T0109	BP67-00179B	LENS-ASSY;LENS ASSY,SNI 650,GREEN,A/B	S.N.A
.2	T0105	BP94-01032A	ASSY PCB MISC-DY JACK;DP, HCP4241W5S/XA,	3	T0051	BP67-00179D	LENS;LENS ASSY,SNI 650,CLEAR,C ELEMENT	S.N.A
.2	T0384	BP94-01034A	ASSY PCB MISC-PWR CONTROL;DP, HCP4241W5S	S.N.A3	ACH-CAP	BP96-01011B	ASSY COVER P-HOLDER CAP;PJT,PC CLR,G,B	S.N.A
.2	T0520	BP94-01544A	ASSY PCB MISC-LINE FILTER;DP, HCR4252,P6	S.N.A4	T0114	BP61-01063A	HOLDER-CAP;PJT,PC,CLR	S.N.A
.2	T0098	BP94-01546A	ASSY PCB MISC-VM;DP, HCR4252,P62A,BASIC	S.N.A4	T0293	BP62-00059A	TUBE-DRAIN;SILICONE,1.6,150,WHT	S.N.A
.2	T0091	BP94-01550A	ASSY PCB MISC-AV SIDE;DP, HCR4355,P62A,	S.N.A	.2	T0028	BP91-01920A	ASSY CPT-B;HCR4751WX/XAC,P60B,47Q5	
.2	T0245	BP94-01551A	ASSY PCB MISC-KEY CONTROL;DP, HCR4355,P6	S.N.A	△...3	T0257	AA03-00382A	CRT MONO;P16LXL00BMB,FREE,0.76MH,1.22MH,	S.N.A
.2	T0097	BP94-01552A	ASSY PCB MISC-PWR DEF;DP, HCR4355,P62A,Q	S.N.A	△...3	T0903	AA26-30006F	TRANS FBT-ANODE CAP ASSY;-FWZ-50A001C,	
.2	T0830	BP95-00389A	ASSY SUB PCB-SENSOR;DP,BP95-00147D,SENSO		△...3	T0078	AA27-00042A	DEFLECTION YOKE;;7PRT,S/S,7PRT,29.1MM,7P	
...3	T0245	0202-0001366	SOLDER-WIRE FLUX;-RS60S,D1.2.63Sn/37Pb,	S.N.A3	T0079	AA33-00018A	MAGNET CONVERGENCE;JH 92LT - 36F,PJT-TV,	
...3	CN906	3711-000447	CONNECTOR-HEADER;BOX,3P,1R,2.5MM,ANGLE,-	3	T0245	AA39-00018A	LEAD CONNECTOR-ASSY;UL1015#22,UL/CSA,1P	
...3		6902-000016	BAG ANTISTATIC;LDPE,T0.05,L800,W500,TRP,	S.N.A3	T0334	AA60-00125B	SPACER-CRT;PROJ,SILICONE,D/GRAY	S.N.A
...3	T0211	BP97-00456E	ASSY SMD-SENSOR;SENSOR,ALL	S.N.A3	T0511	AA60-00127B	SPACER-LENS;PROJ,SILICONE,D/GRAY	S.N.A
...4		0202-0001375	SOLDER-CREAM;RMA-20-21L,S63,-,Sn63/Pb36.	S.N.A3	M0081	AA60-10011A	SCREW-TAPTITE;-SWRCH18A,M4,L12,HH,+,PC,	S.N.A
....4	Q01	0501-000445	TR-SMALL SIGNAL;KTC3875S-Y,NPN,150mW,SOT	3	T0112	AA61-00056B	BRACKET-LENS;PROJECTION,SECC,T1.6,-,-,-,	S.N.A
....4	R02	2007-000109	R-CHIP;1Mohm,5%,1/10W,TP,1608	3	CC	AA61-00808B	CASE-COUPLER,B;PROJ,ALDC,T8,BLK	S.N.A
....4	R03	2007-000109	R-CHIP;1Mohm,5%,1/10W,TP,1608	3	H/CRT	AA61-00809B	HOLDER-CRT;PROJ,PC/ABS GF 20%,BLK	S.N.A
....4	R01	2007-000305	R-CHIP;10Mohm,5%,1/10W,TP,1608	3	T0511	AA63-00076B	SPACER-LENS;FELT,W7,BLK,T0.8	S.N.A
....4		AA41-00853B	PCB SENSOR;SENSOR,FR-4,2,1.6T,245*245,10	S.N.A3	T0107	AA91-00722A	ASSY-BRKT,CRT;;SECC T1.6,PROJ	
....4	D01	BP32-00001A	SENSOR PHOTO;BCS5030G1,-40 TO +85,0.42 U	4	T0072	AA61-00473B	BRACKET-CRT;53,SECC,T1.6,-,-,-,-	S.N.A
.2	M2893	BP39-00033B	LEAD CONNECTOR;K59A/TSN3084WHDXXAA,UL100	4	T0210	AA61-00615B	BRACKET-EARTH;54J8,PBS,T0.5,-,-,-,-	S.N.A
ASSY PRT-HITACHI									
1	T0601	BP91-01917A	ASSY PRT-HITACHI;HCR4751WX/XAC,P60B,47Q5	S.N.A4	T0103	AA61-00812A	SPRING ETC-WIRE;PROJ,STS,3.6	S.N.A
△...2	T0026	BP91-01918A	ASSY CPT-R;HCR4751WX/XAC,P60B,47Q5	3	T0069	BN60-00027B	SPACER-FELT;PJT,VRT,FELT,L20,T1.0,W20	S.N.A
△...3	T0257	AA03-00384A	CRT MONO;P16LXL00RFA,FREE,0.76MH,1.22MH,	S.N.A3	T0333	BP60-00059A	SPACER-CAP;DP,BP60-00050A,EPDM,BLK	S.N.A
△...3	T0903	AA26-30006F	TRANS FBT-ANODE CAP ASSY;-FWZ-50A001C,	3	T0108	BP61-00079A	HOLDER-DY;PJT,VT,0.5,NYLON66 V2	S.N.A
△...3	T0078	AA27-00042A	DEFLECTION YOKE;;7PRT,S/S,7PRT,29.1MM,7P	3	T0109	BP67-00179C	LENS-ASSY;LENS ASSY,SNI 650,CLEAR,A/B	S.N.A
...3	T0079	AA33-00016A	MAGNET CONVERGENCE;JH 92LT - 29F,PJT-TV,	3	T0051	BP67-00179D	LENS;LENS ASSY,SNI 650,CLEAR,C ELEMENT	S.N.A
...3	T0245	AA39-00018A	LEAD CONNECTOR-ASSY;UL1015#22,UL/CSA,1P	3	ACH-CAP	BP96-01011B	ASSY COVER P-HOLDER CAP;PJT,PC CLR,G,B	S.N.A
...3	T0245	AA39-00018A	LEAD CONNECTOR-ASSY;UL1015#22,UL/CSA,1P	4	T0114	BP61-01063A	HOLDER-CAP;PJT,PC,CLR	S.N.A
...3	T0334	AA60-00125B	SPACER-CRT;PROJ,SILICONE,D/GRAY	S.N.A4	T0293	BP62-00059A	TUBE-DRAIN;SILICONE,1.6,150,WHT	S.N.A
...3	T0511	AA60-00127B	SPACER-LENS;PROJ,SILICONE,D/GRAY	S.N.A	ASSY BOX				
...3	M0081	AA60-10011A	SCREW-TAPTITE;-SWRCH18A,M4,L12,HH,+,PC,	S.N.A	1	M0003	BP92-01564M	ASSY BOX;HCR4755W3S/XAA,P62A	S.N.A
...3	M0081	AA60-10011A	SCREW-TAPTITE;-SWRCH18A,M4,L12,HH,+,PC,	S.N.A	.2	PCK-IN	BP69-00277A	BOX-SET,IN;47Q5,H-3, AB,C3,1540,990	S.N.A
...3	T0112	AA61-00056B	BRACKET-LENS;PROJECTION,SECC,T1.6,-,-,-,	S.N.A	.2	PCK-OUT	BP69-00278D	BOX-00,SET,OUT;47Q5(OVERSEAL),D-4,AB,YEL,	S.N.A
...3	CC	AA61-00808B	CASE-COUPLER,R;PROJ,ALDC,T8,BLK	S.N.A	ASSY P/MATERIAL				
...3	H/CRT	AA61-00809B	HOLDER-CRT;PROJ,PC/ABS GF 20%,BLK	S.N.A	1	M0113	BP92-01565E	ASSY P/MATERIAL;47Q5,SAMEX	S.N.A
...3	T0511	AA63-00076B	SPACER-LENS;FELT,W7,BLK,T0.8	S.N.A	.2		6902-000621	BAG SHEET;HDPE/PE FORM,T0.015/T1,W1000,L	S.N.A
...3	T0107	AA91-00722A	ASSY-BRKT,CRT;;SECC T1.6,PROJ		.2	T0214	AA60-40006A	PIN-STAPLE;AUTO,33X17.8X2.4,H18,33X17.8X	S.N.A
....4	T0072	AA61-00473B	BRACKET-CRT;53,SECC,T1.6,-,-,-,-	S.N.A	.2	T0214	AA61-20285A	HOLDER-BOX;3456,PP,-,-,-,WHT,VO	S.N.A
....4	T0210	AA61-00615B	BRACKET-EARTH;54J8,PBS,T0.5,-,-,-,-	S.N.A	.2	T0524	AA69-01210A	BAG PE;SHEET,32-36,W65,L63,FOAM,OEM.	S.N.A
....4	T0103	AA61-00812A	SPRING ETC-WIRE;PROJ,STS,3.6	S.N.A	.2	T0172	AA69-02609A	BAND-PP;W18,CLEA,1G	S.N.A
....3	T0069	BN60-00027B	SPACER-FELT;PJT,VRT,FELT,L20,T1.0,W20	S.N.A	ASSY ACCESSORY				
....3	T0069	BN60-00027B	SPACER-FELT;PJT,VRT,FELT,L20,T1.0,W20	S.N.A	1	M0045	BP92-01567B	ASSY ACCESSORY;HCR4245W3S/XAA,P62A	S.N.A
....3	T0333	BP60-00059A	SPACER-CAP;DP,BP60-00050A,EPDM,BLK	S.N.A	.2	T0685	4301-000103	BATTERY-ALKALINE;1.5V,750MAH,AAA,10.5x44	
....3	T0108	BP61-00079A	HOLDER-DY;PJT,VT,0.5,NYLON66 V2	S.N.A	.2	T0524	6902-000018	BAG PE;LDPE,T0.1,W280,L400,GRY,8-2-	S.N.A
....3	T0109	BP67-00179A	LENS-ASSY;LENS ASSY,SNI 650,RED,A/B	S.N.A	.2	W/CARD	AA68-00371C	CARD WARRANTY-03;,SEA,W/P100(G),1 YEAR	S.N.A
....3	T0051	BP67-00179D	LENS;LENS ASSY,SNI 650,CLEAR,C ELEMENT	S.N.A	.2	T0152	AA68-01561A	CARD WARRANTY;BLOCK,STATEMENT ONLY,SEA/S	S.N.A
....3	ACH-CAP	BP96-01011A	ASSY COVER P-HOLDER CAP;PJT,PC,RED	S.N.A	.2	M/SAFETY	AA68-03242B	MANUAL-SAFETY GUIDE;TH-ENG,SAFETY GUIDE	S.N.A
....4	T0114	BP61-00725B	HOLDER-CAP;PJT,PC,RED	S.N.A	.2	C/REG	AA68-40065B	CARD-01,REGISTRATION;,SEA,A5,ENG,A/P220,	S.N.A
....4	T0293	BP62-00059A	TUBE-DRAIN;SILICONE,1.6,150,WHT	S.N.A	.2	T0128	BN39-00518A	CBF SIGNAL-STEREO;NA32KQ,1P,UL246#26,20	
.2	T0027	BP91-01919A	ASSY CPT-G;		.2	T0074	BP59-00082A	REMOCON;BENHUR-3, TM76A,47,Zilog 52MX,53,	
△...3	T0257	AA03-00383A	CRT MONO;P16LXL00HHA,FREE,0.76MH,1.22MH,	S.N.A	.2	T0511	BP68-00334B	MANUAL USERS;HCR4245W,SAMSUNG,Eng,Americ	S.N.A
△...3	T0903	AA26-30006F	TRANS FBT-ANODE CAP ASSY;-FWZ-50A001C,		.2	M/ANYNET	BP68-00379B	MANUAL-ANYNET;HCR4245W,SAMSUNG,Eng,Ameri	S.N.A
△...3	T0078	AA27-00042A	DEFLECTION YOKE;;7PRT,S/S,7PRT,29.1MM,7P		.2	M/QSG	BP68-00383B	MANUAL-QSG;HCR4245W,SAMSUNG,Eng,America,	S.N.A
...3	T0245	AA39-00018A	LEAD CONNECTOR-ASSY;UL1015#22,UL/CSA,1P	3	T0511	AA63-00076B	SPACER-LENS;FELT,W7,BLK,T0.8	S.N.A
...3	T0334	AA60-00125B	SPACER-CRT;PROJ,SILICONE,D/GRAY	S.N.A4	T0107	AA91-00722A	ASSY-BRKT,CRT;;SECC T1.6,PROJ	
...3	T0511	AA60-00127B	SPACER-LENS;PROJ,SILICONE,D/GRAY	S.N.A4	T0072	AA61-00473B	BRACKET-CRT;53,SECC,T1.6,-,-,-,-	S.N.A
...3	M0081	AA60-10011A	SCREW-TAPTITE;-SWRCH18A,M4,L12,HH,+,PC,	S.N.A4	T0210	AA61-00615B	BRACKET-EARTH;54J8,PBS,T0.5,-,-,-,-	S.N.A
...3	M0081	AA60-10011A	SCREW-TAPTITE;-SWRCH18A,M4,L12,HH,+,PC,	S.N.A					
...3	T0112	AA61-00056B	BRACKET-LENS;PROJECTION,SECC,T1.6,-,-,-,	S.N.A					
...3	CC	AA61-00807B	CASE-COUPLER,G;PROJ,ALDC,T8,BLK	S.N.A					
...3	H/CRT	AA61-00809B	HOLDER-CRT;PROJ,PC/ABS GF 20%,BLK	S.N.A					
...3	T0511	AA63-00076B	SPACER-LENS;FELT,W7,BLK,T0.8	S.N.A					
...3	T0107	AA91-00722A	ASSY-BRKT,CRT;;SECC T1.6,PROJ						
...3	T0072	AA61-00473B	BRACKET-CRT;53,SECC,T1.6,-,-,-,-	S.N.A					
....4	T0210	AA61-00615B	BRACKET-EARTH;54J8,PBS,T0.5,-,-,-,-	S.N.A					