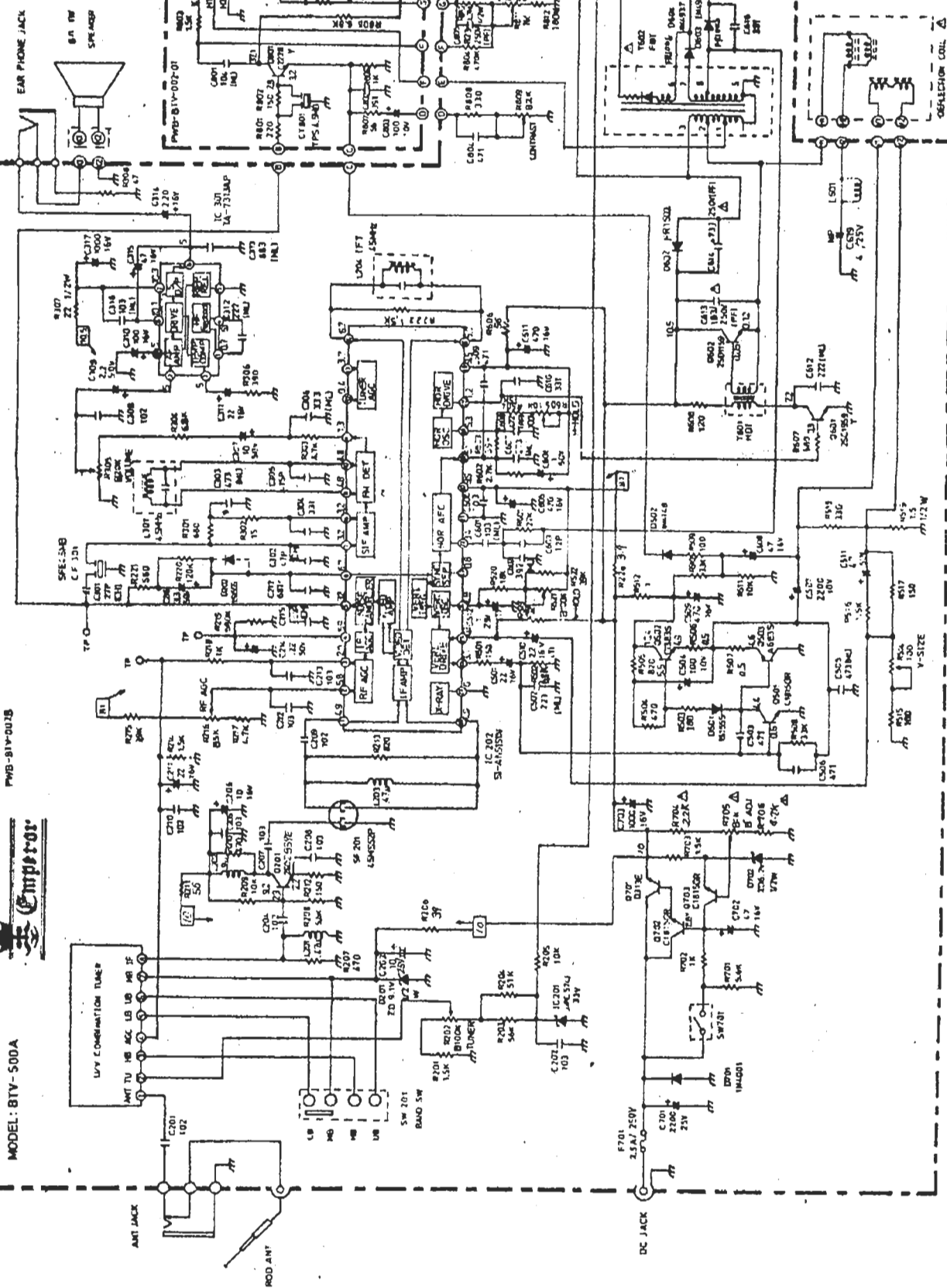


MODEL: BTY-500A

PWB-81Y-001B

These critical components that are marked with Δ on the schematic diagram and the parts list are used to prevent shock, fire hazard and noise. Save 3-radiation. All these special components must be replaced only with the same type and call to them in the schematic diagram and parts list.

NOTE: This circuit diagram is original one, therefore it may be a slight difference from your set.



BTY-500A

NO.	DESCRIPTION	QTY	SCALE	DATE
1
2
3
4
5
6
7
8
9
10
11
12
13
14
15
16
17
18
19
20
21
22
23
24
25
26
27
28
29
30
31
32
33
34
35
36
37
38
39
40
41
42
43
44
45
46
47
48
49
50