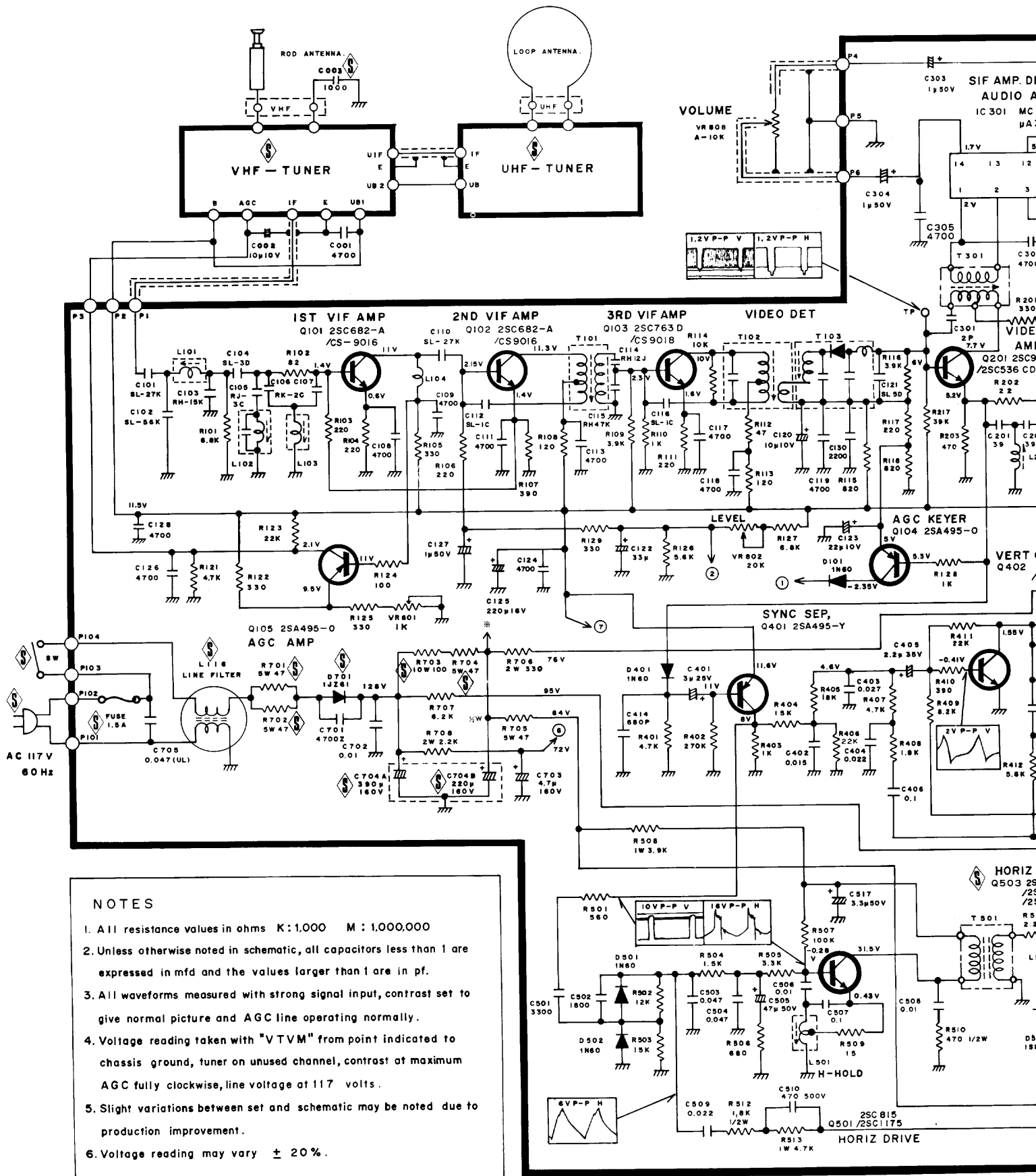


CAUTION FOR CONTINUED SAFETY REPLACE THOSE COMPONENTS INDICATED BY  WITH EXACT REPLACEMENT PARTS ONLY. CONSULT SERVICE MANUAL PARTS LIST "SAFETY COMPONENTS."

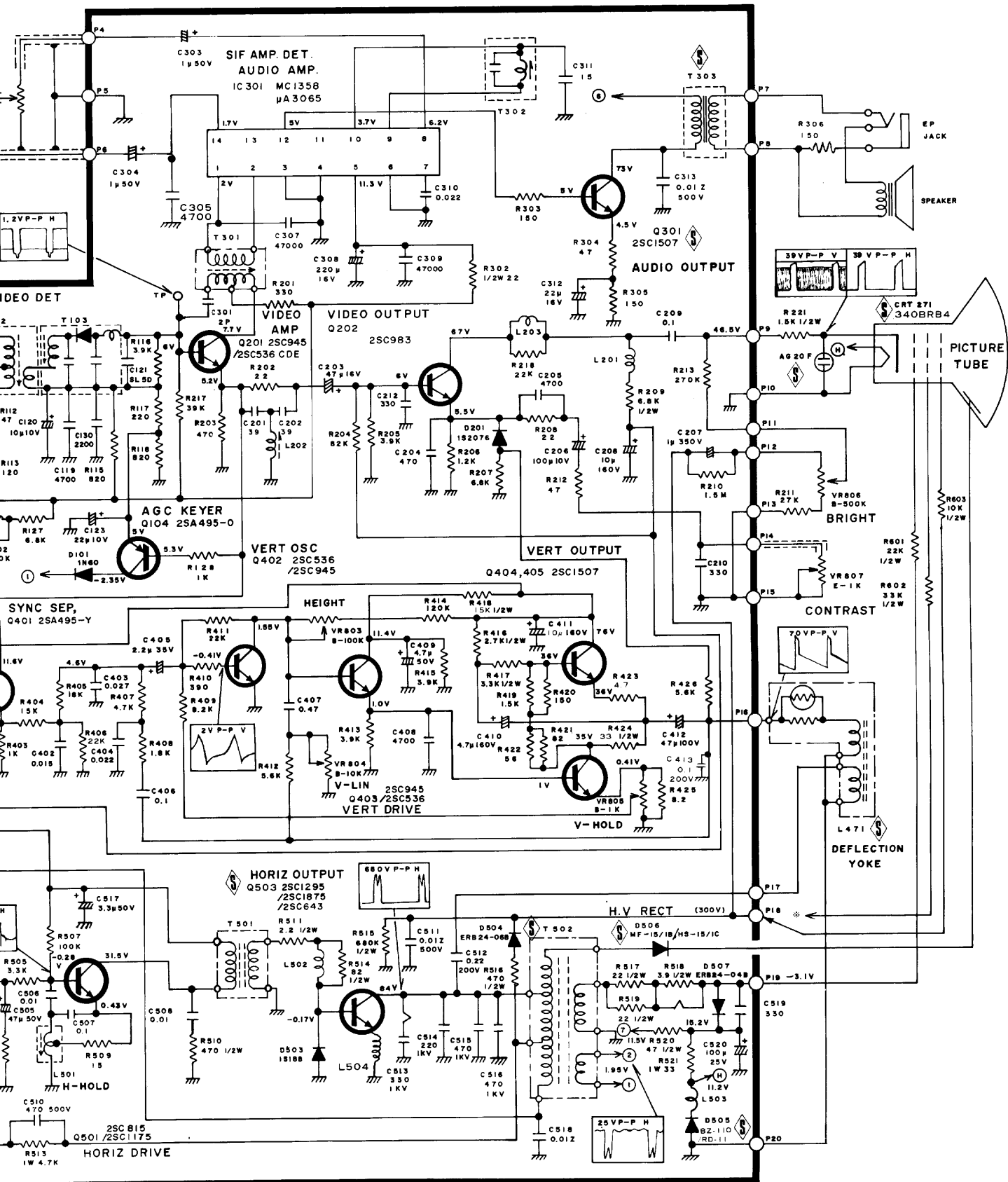
SCHEMATIC DIAGRAM MODEL : COMET



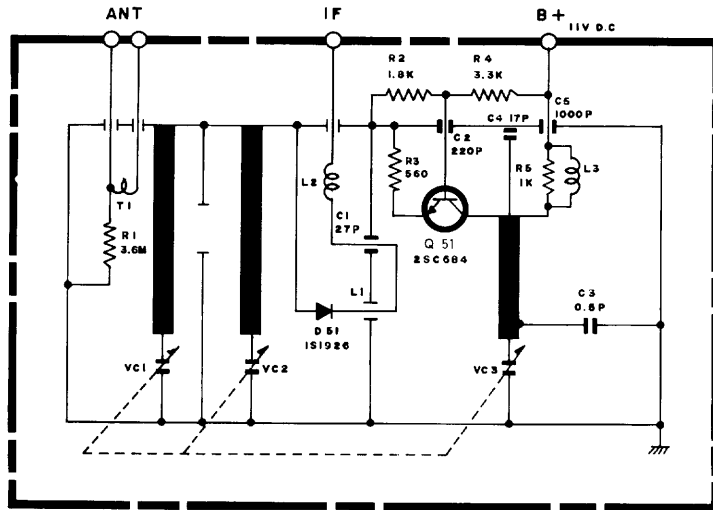
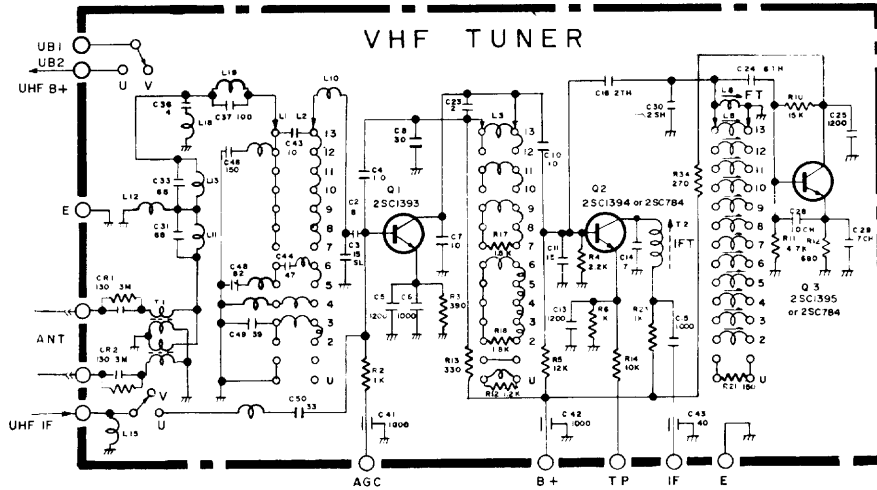
NOTES

1. All resistance values in ohms K:1,000 M:1,000,000
2. Unless otherwise noted in schematic, all capacitors less than 1 are expressed in mfd and the values larger than 1 are in pf.
3. All waveforms measured with strong signal input, contrast set to give normal picture and AGC line operating normally.
4. Voltage reading taken with "V TVM" from point indicated to chassis ground, tuner on unused channel, contrast at maximum AGC fully clockwise, line voltage at 117 volts.
5. Slight variations between set and schematic may be noted due to production improvement.
6. Voltage reading may vary $\pm 20\%$.

SCHEMATIC DIAGRAM COMET



TUNER SCHEMATIC DIAGRAMS



UHF TUNER

CHASSIS TOP VIEW

