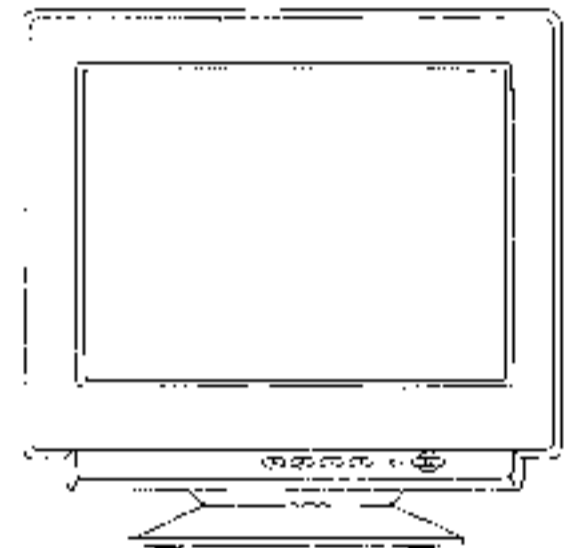


Service Manual

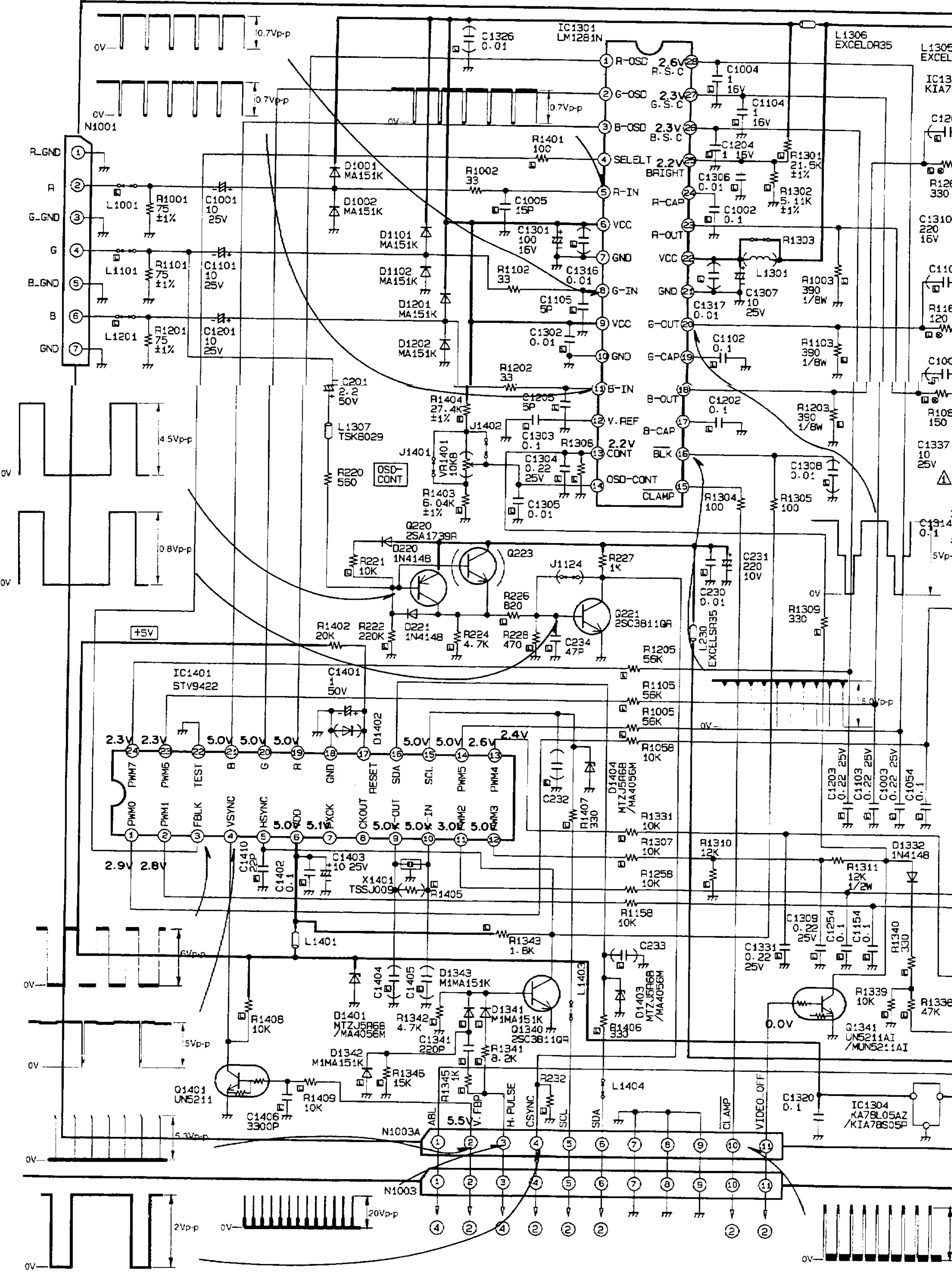
MODEL V773-1M / -1E V773-6M / -6E
(M-1734QU-M / -E M-1734QU-NM / NE)



CONTENTS

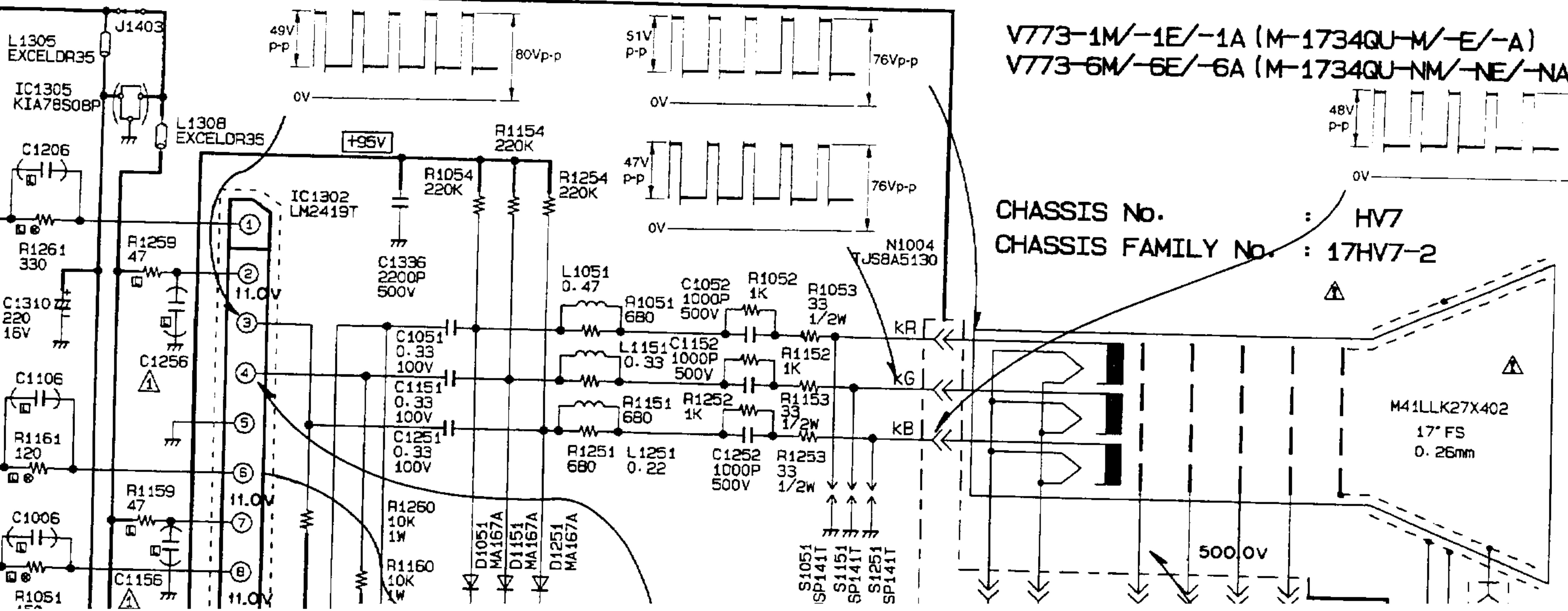
SERVICE WARNING	1
SAFETY PRECAUTIONS.....	2
GENERAL INFORMATION	3
SPECIFICATIONS.....	3
DIMENSIONS.....	11
REQUIRED ADJUSTMENT PROCEDURE AFTER A PARTS REPLACED.....	13
ADJUSTMENT PROCEDURE	14
SCHEMATIC DIAGRAM.....	20
EXPLODED VIEW.....	28
REPLACEMENT PARTS LIST.....	29

*INPUT SIGNAL 1024×768 75Hz



V773-1M/-1E/-1A (M-1734QU-M/-E/-A)
V773-6M/-6E/-6A (M-1734QU-NM/-NE/-NA)

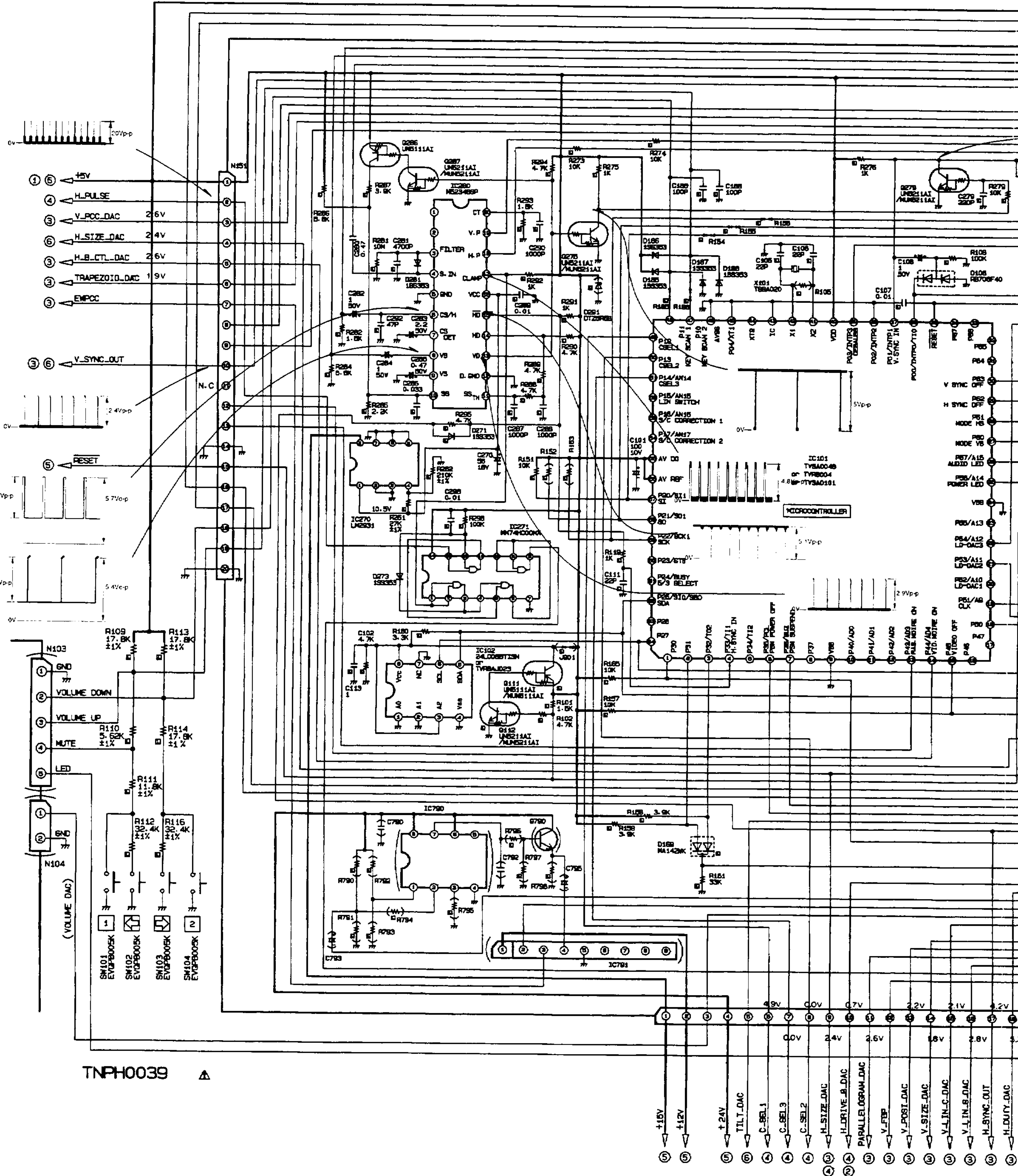
CHASSIS No. : HV7
CHASSIS FAMILY No. : 17HV7-2



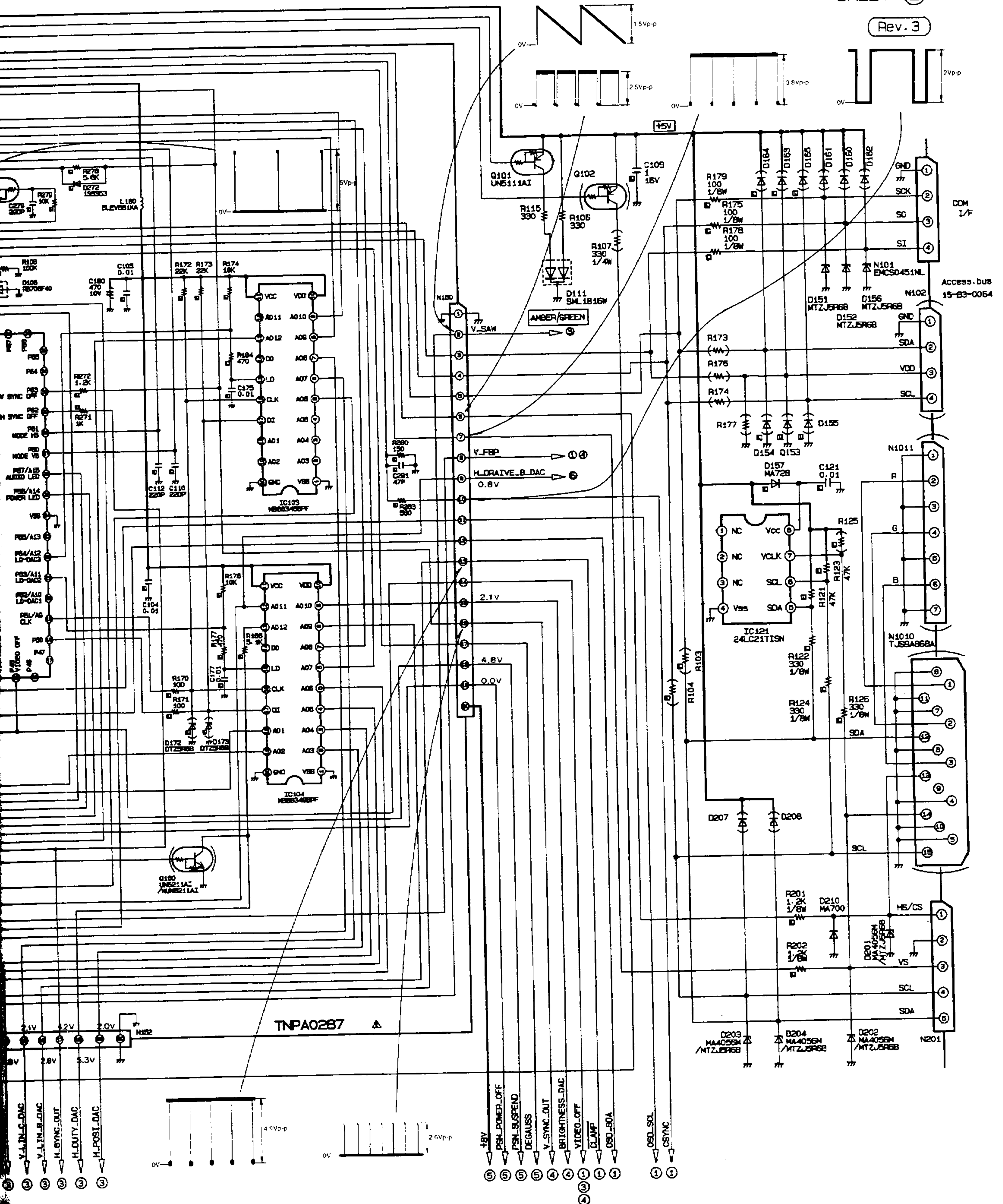
M41LLK27X402
17" FS
0.26mm

500.0V

*INPUT SIGNAL 1024×768 75Hz

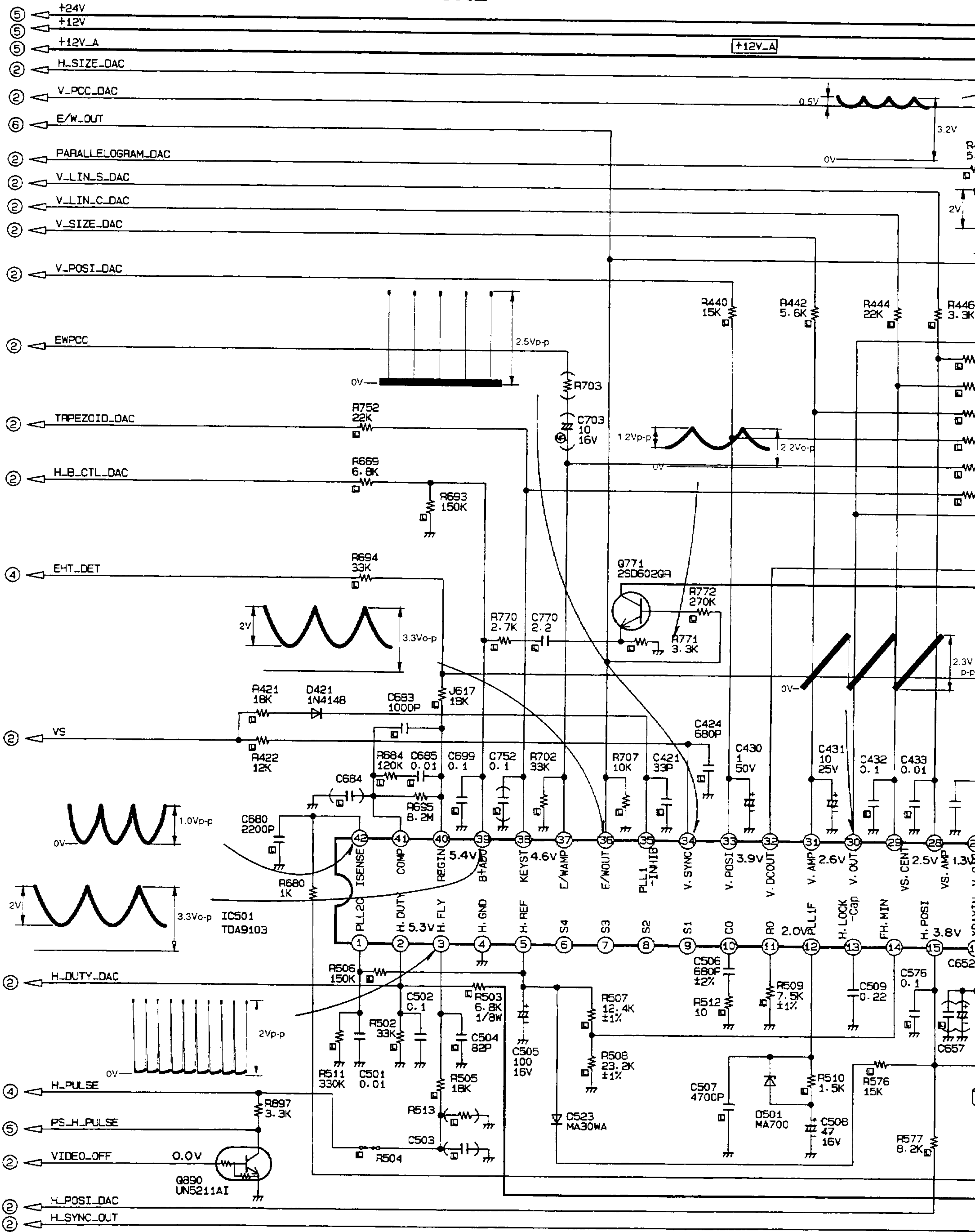


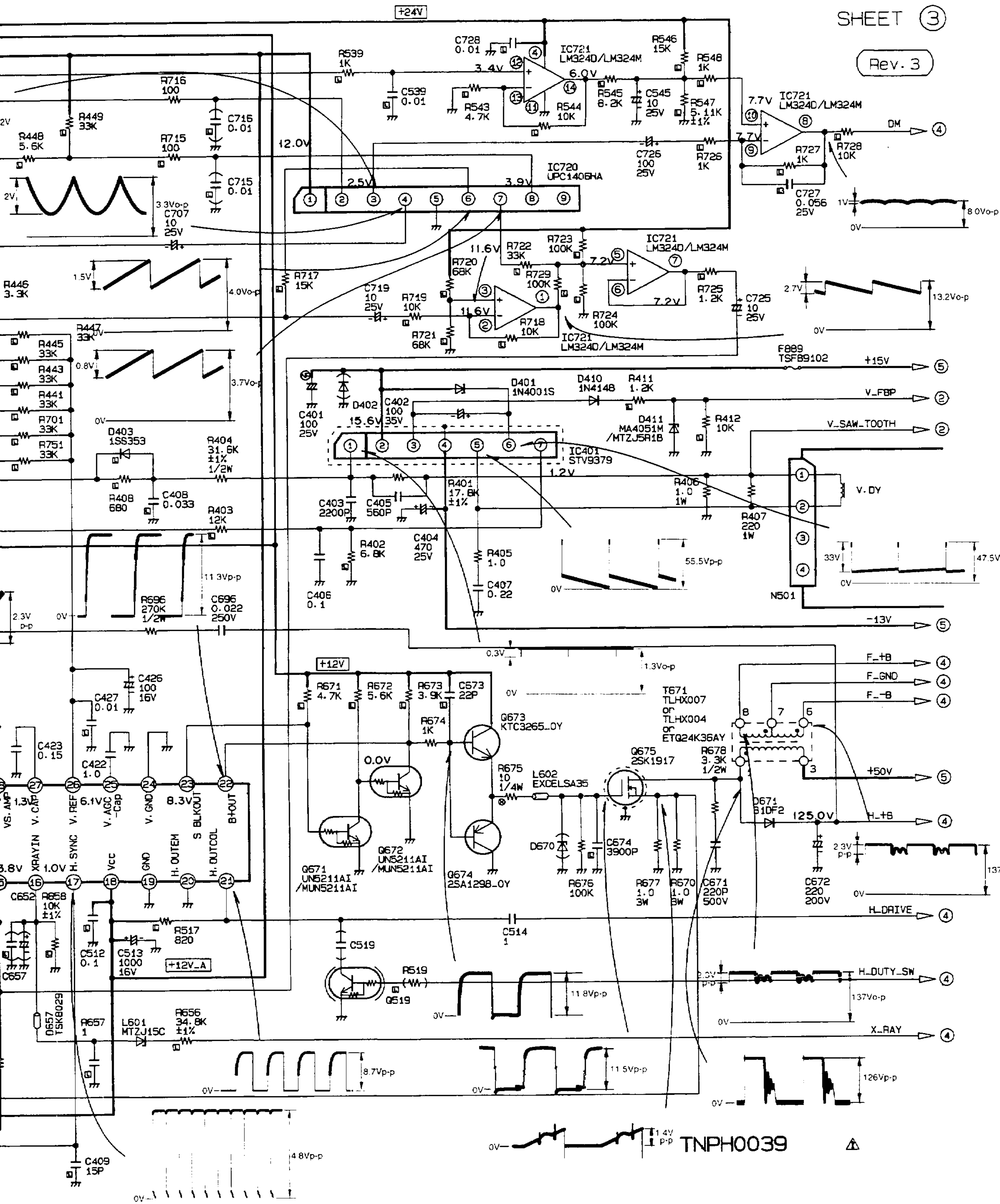
TNPH0039 \triangle



TNPA0287

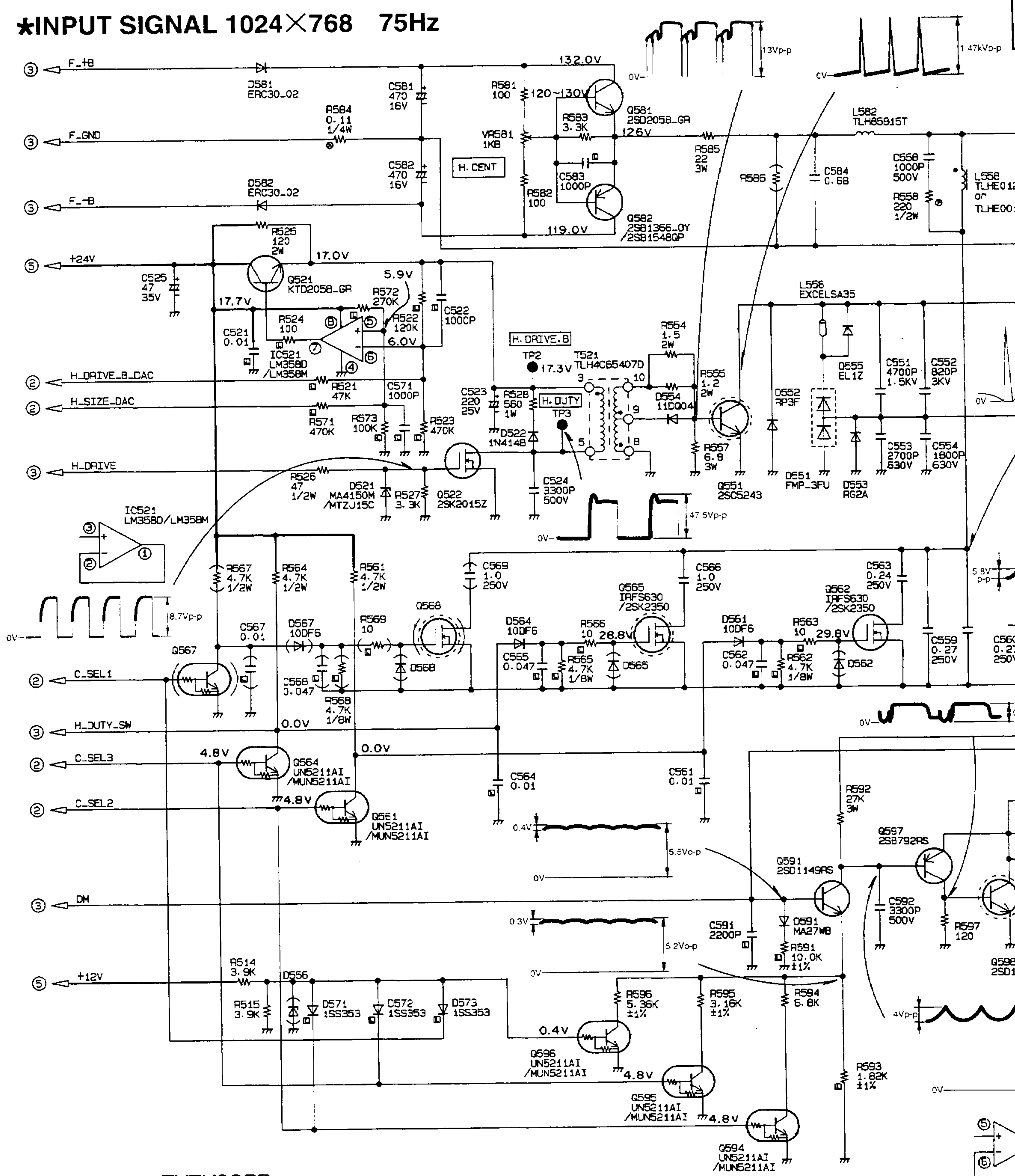
*INPUT SIGNAL 1024x768 75Hz





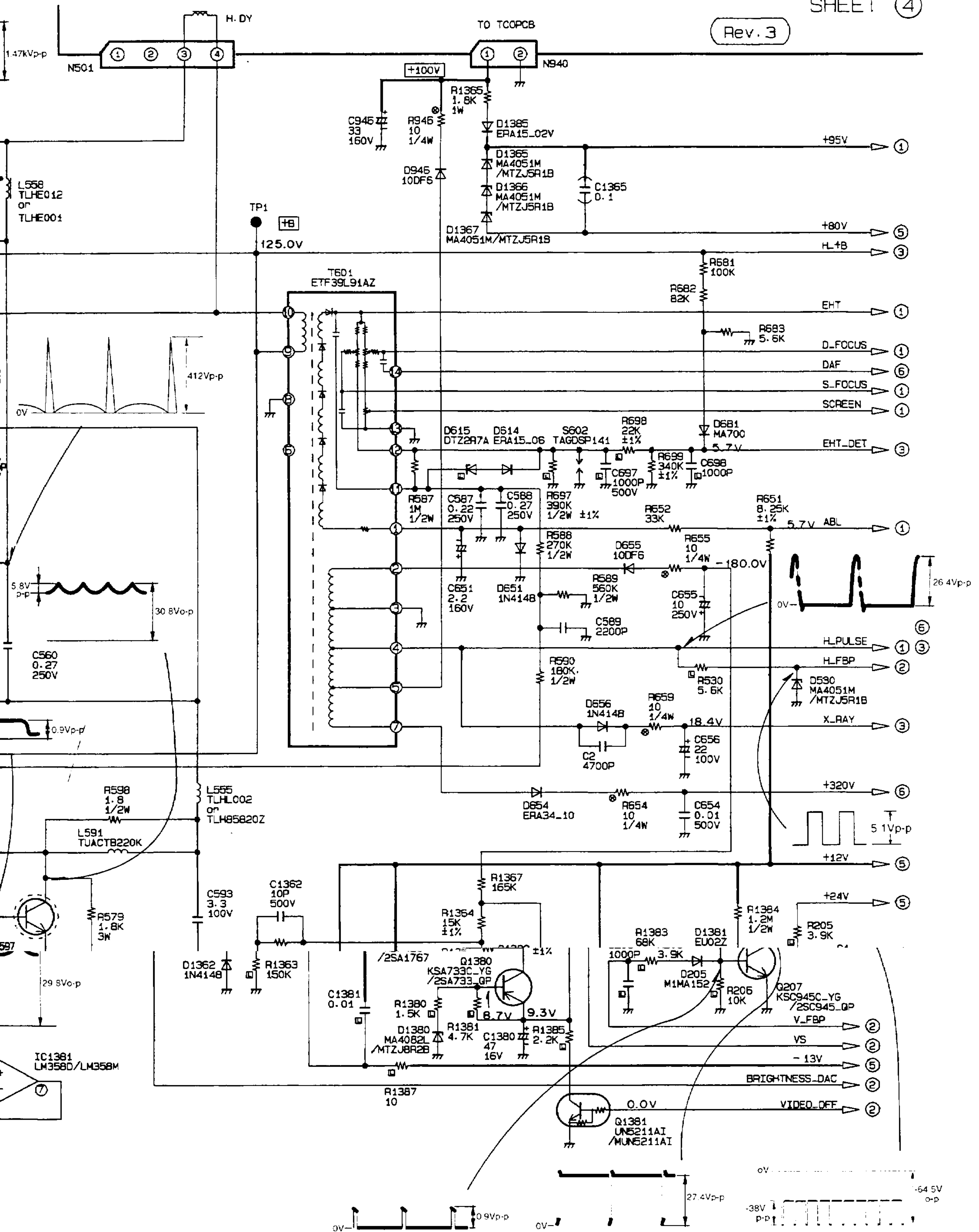
TNPH0039

*INPUT SIGNAL 1024×768 75Hz

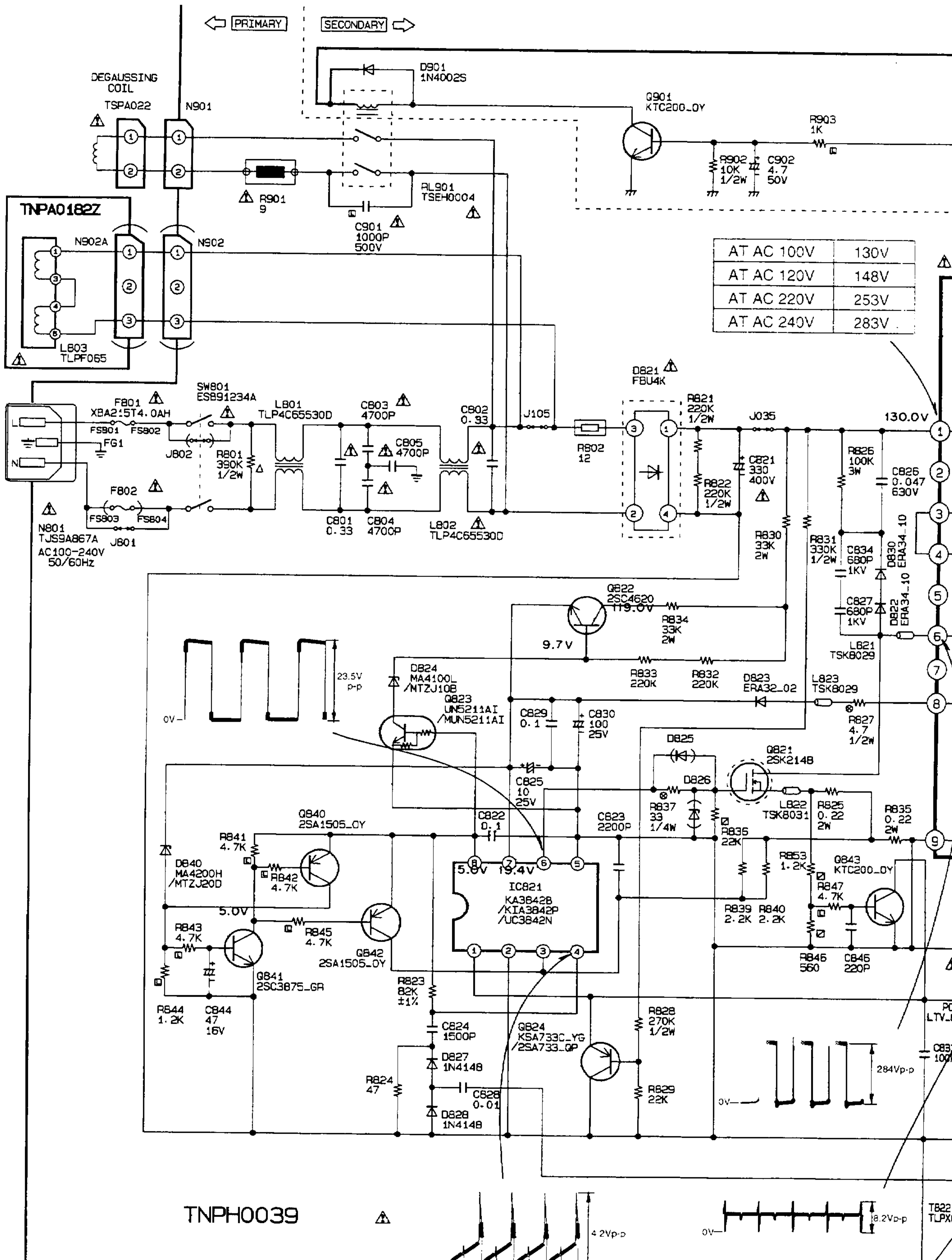


TNPH0039

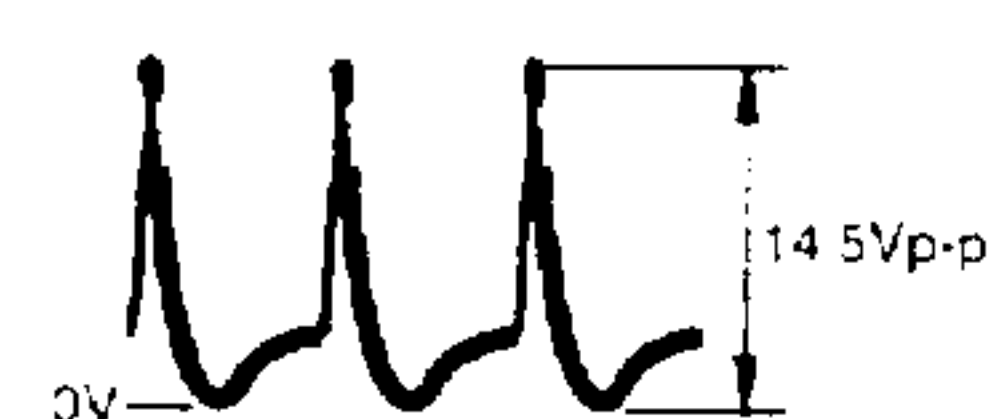
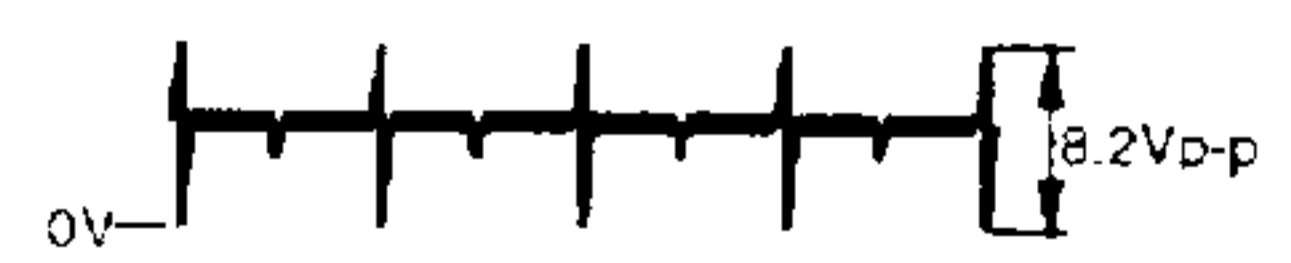


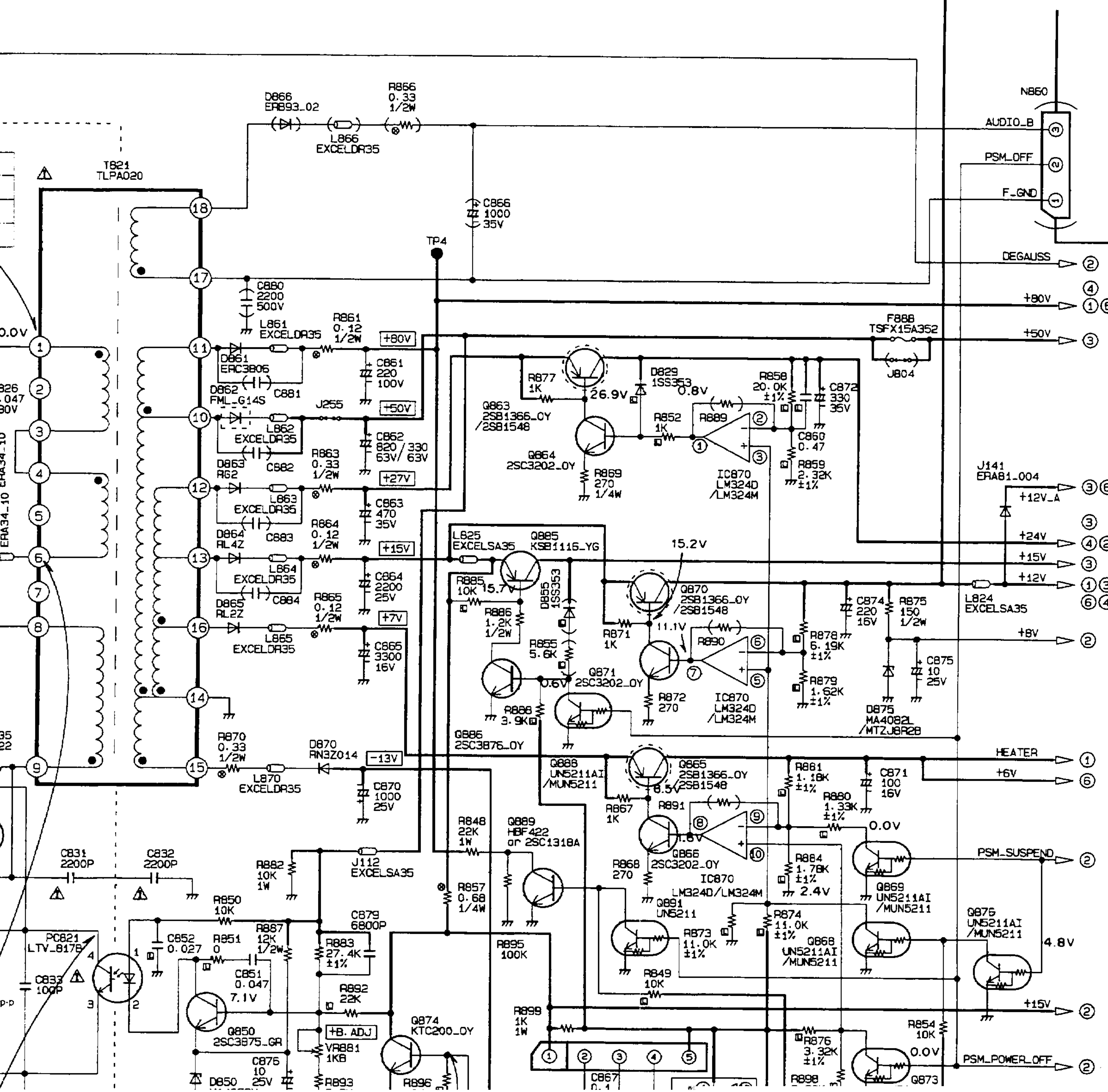


*INPUT SIGNAL 1024 X 768 75Hz

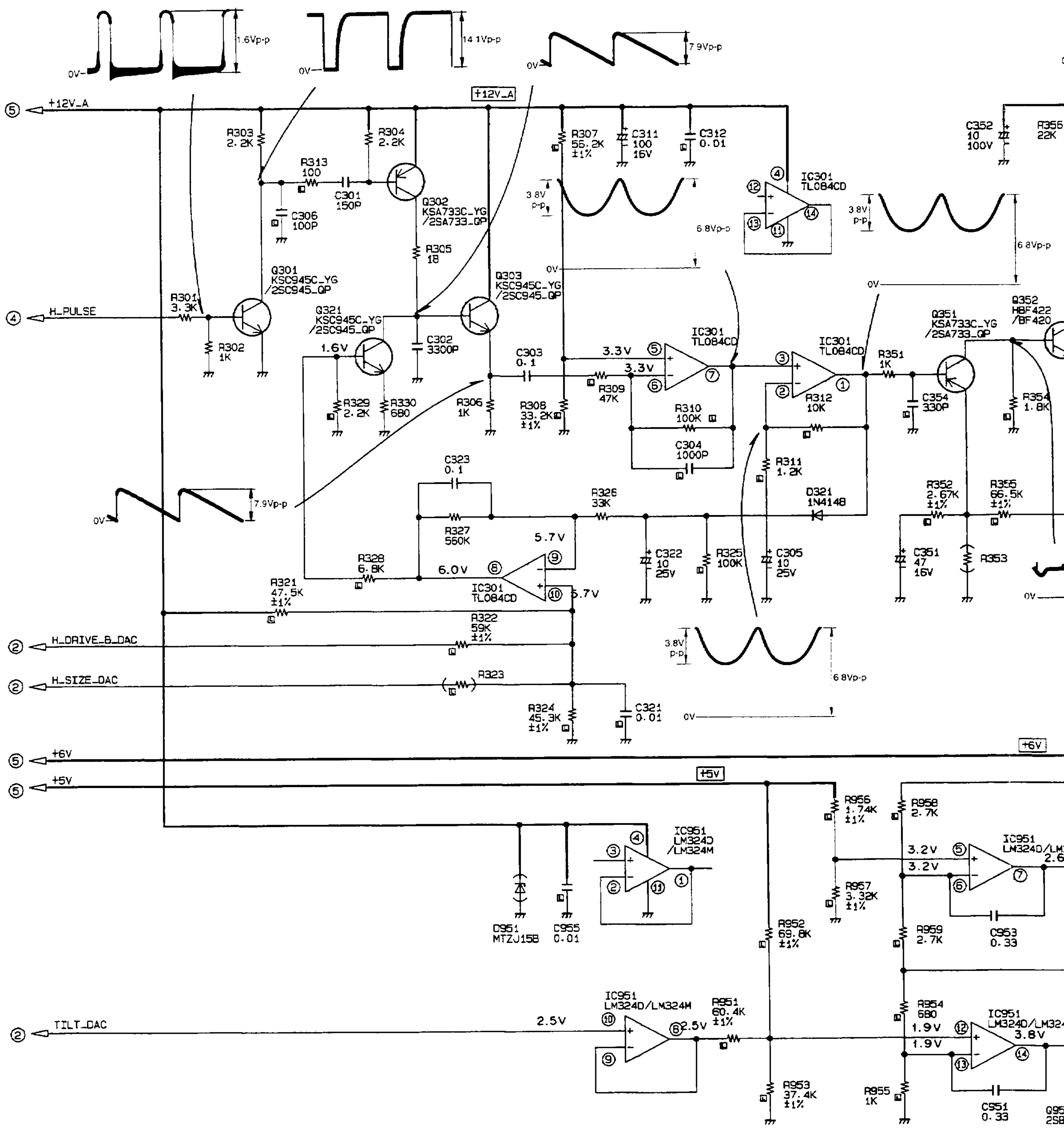


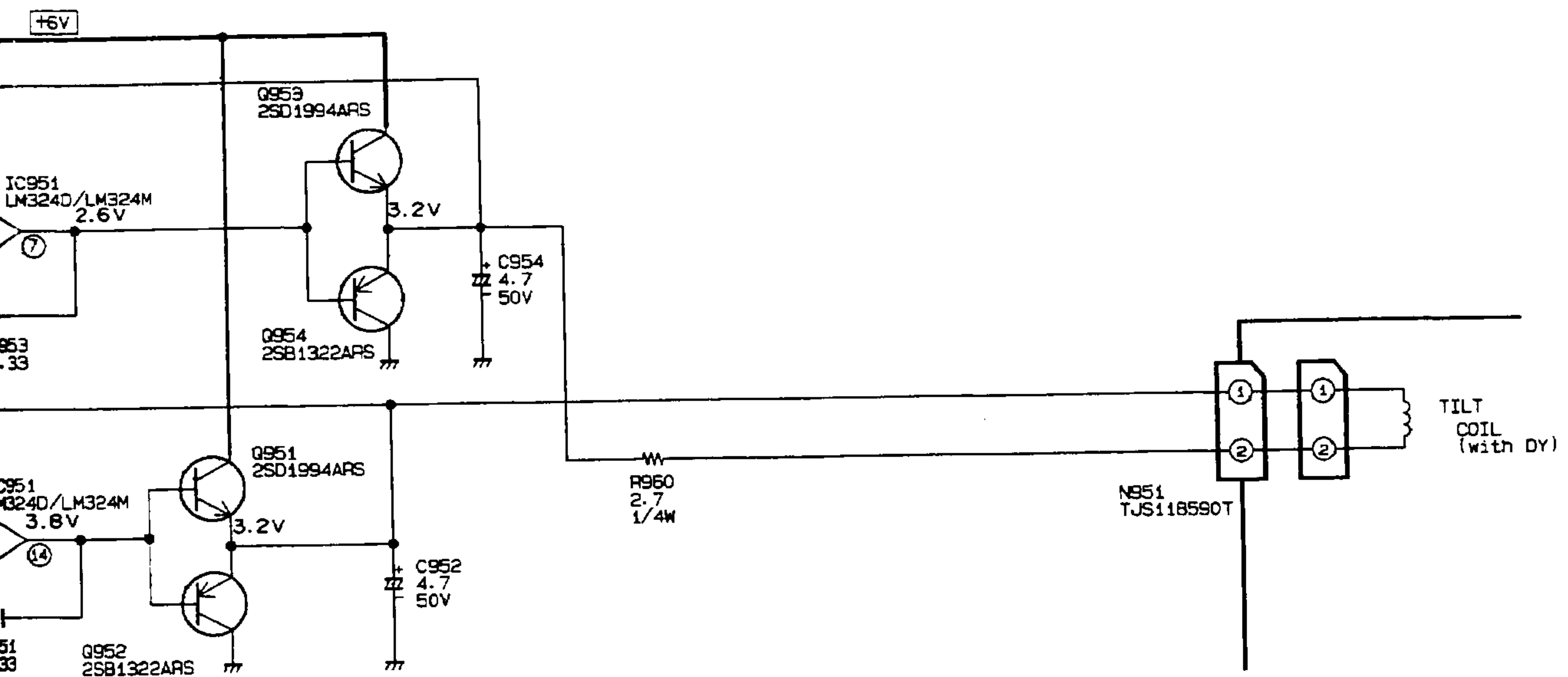
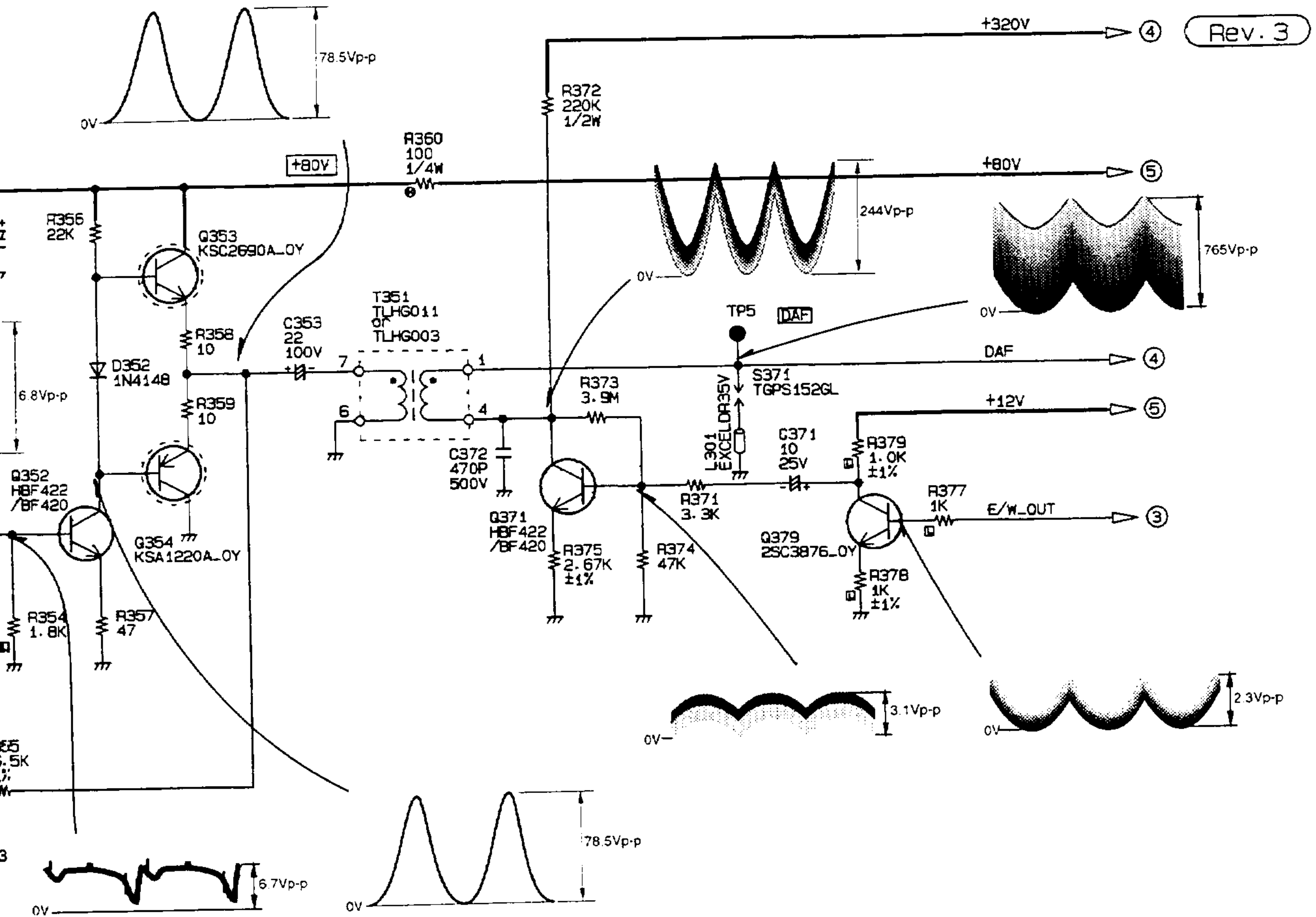
TNPH0039





*INPUT SIGNAL 1024×768 75Hz





TNPH0039

