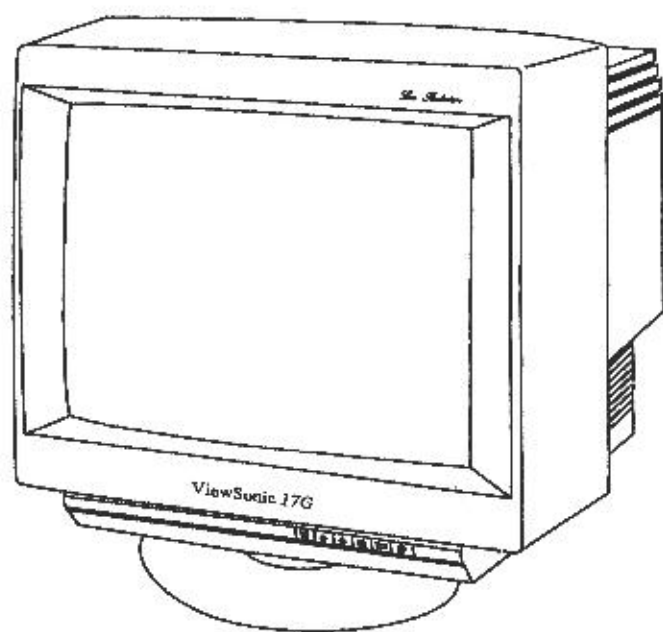


ViewSonic 17G

Service Manual

Multi-Frequency Color Monitor
MODEL No. 1764-M/-E/-A

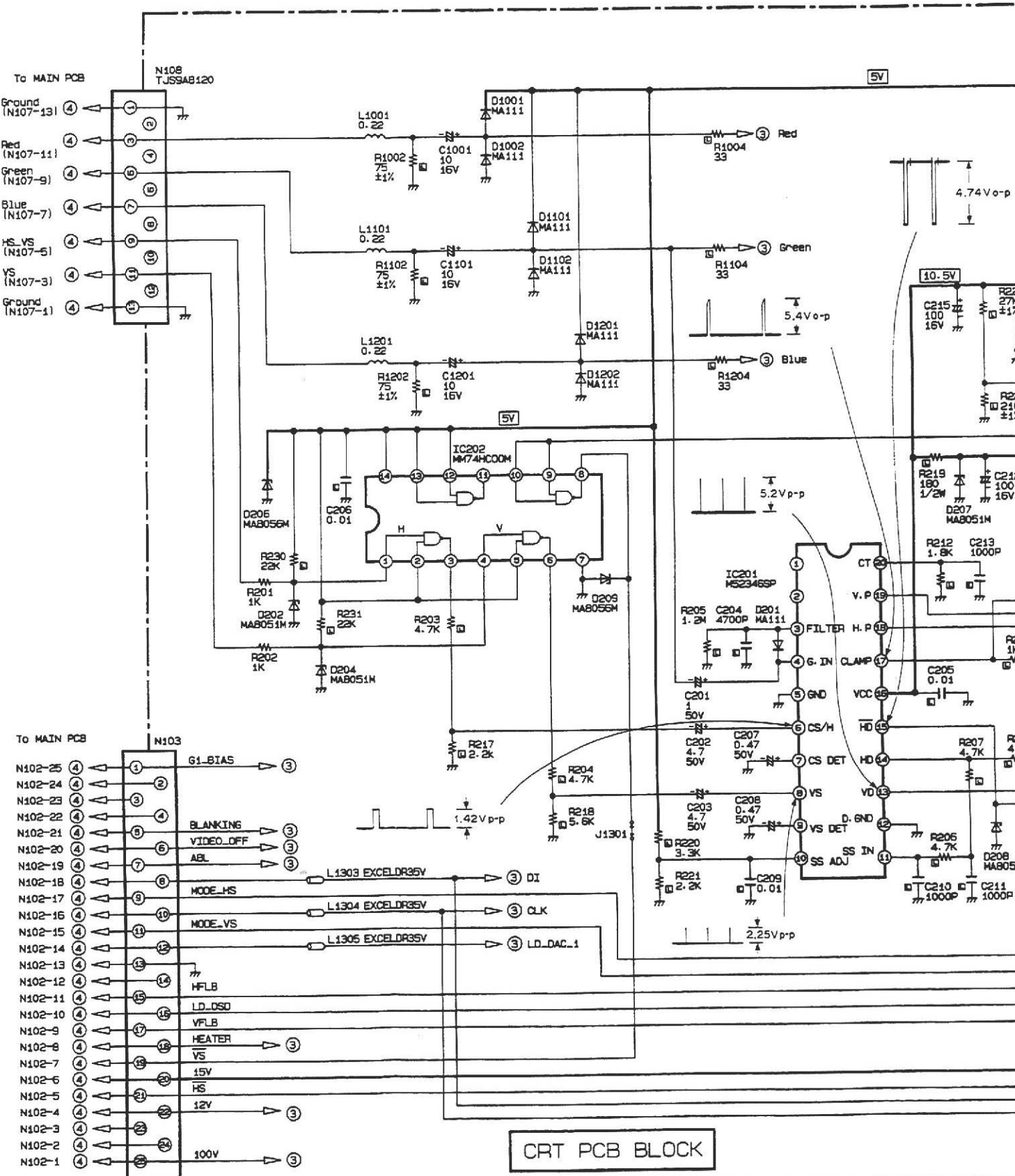


CONTENTS

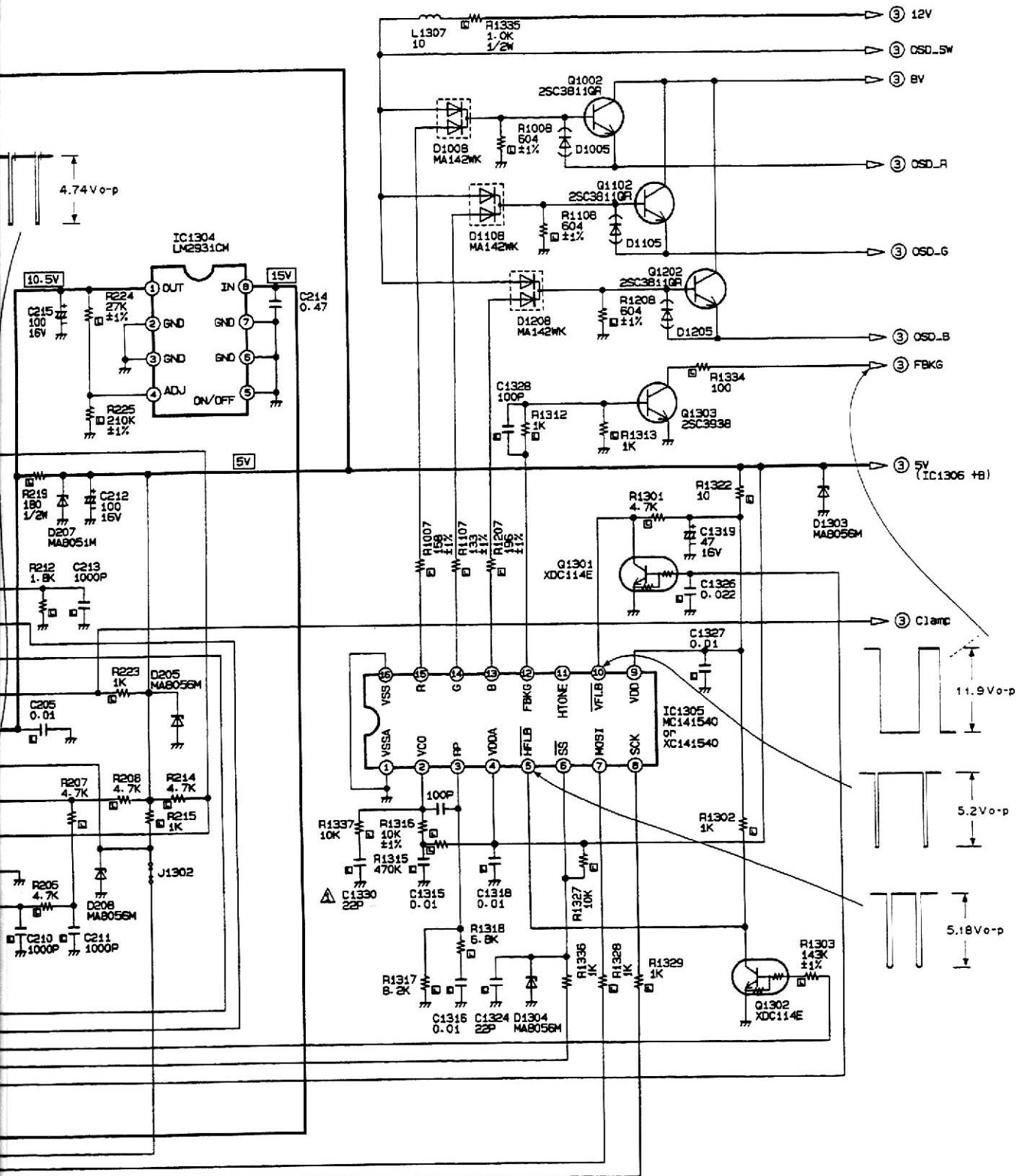
| | |
|--|----|
| SAFETY PRECAUTIONS | 1 |
| SERVICE WARNING | 2 |
| GENERAL INFORMATION | 2 |
| SPECIFICATIONS | 2 |
| DIMENSIONS | 12 |
| DISASSEMBLY INSTRUCTIONS | 14 |
| CONTROL LOCATION | 17 |
| CAUTION FOR ADJUSTMENT AND REPAIR | 18 |
| CAUTION FOR SERVICING | 18 |
| ADJUSTMENT AND CHECK PROCEDURE | 19 |
| ADJUSTMENT PROCEDURE WITH COMPUTER | 23 |
| BLOCK DIAGRAM | 39 |
| CONDUCTOR VIEW | 46 |
| SCHEMATIC DIAGRAM | 49 |
| TROUBLE SHOOTING HINTS | 60 |
| EXPLODED VIEW | 63 |
| REPLACEMENT PARTS LIST | 64 |

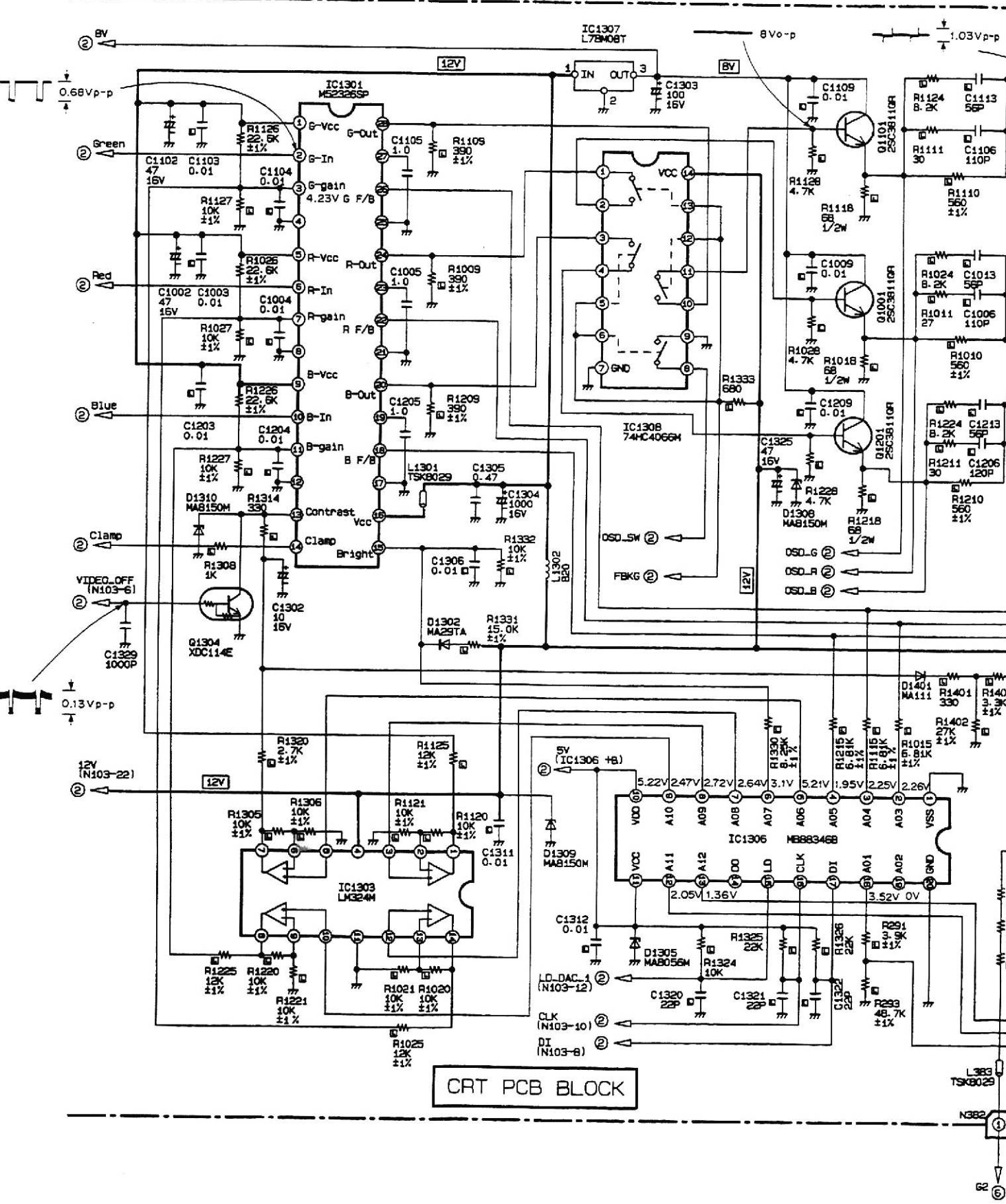
ViewSonic®

ORDER NO. FTD94025289C
G4



CRT PCB BLOCK

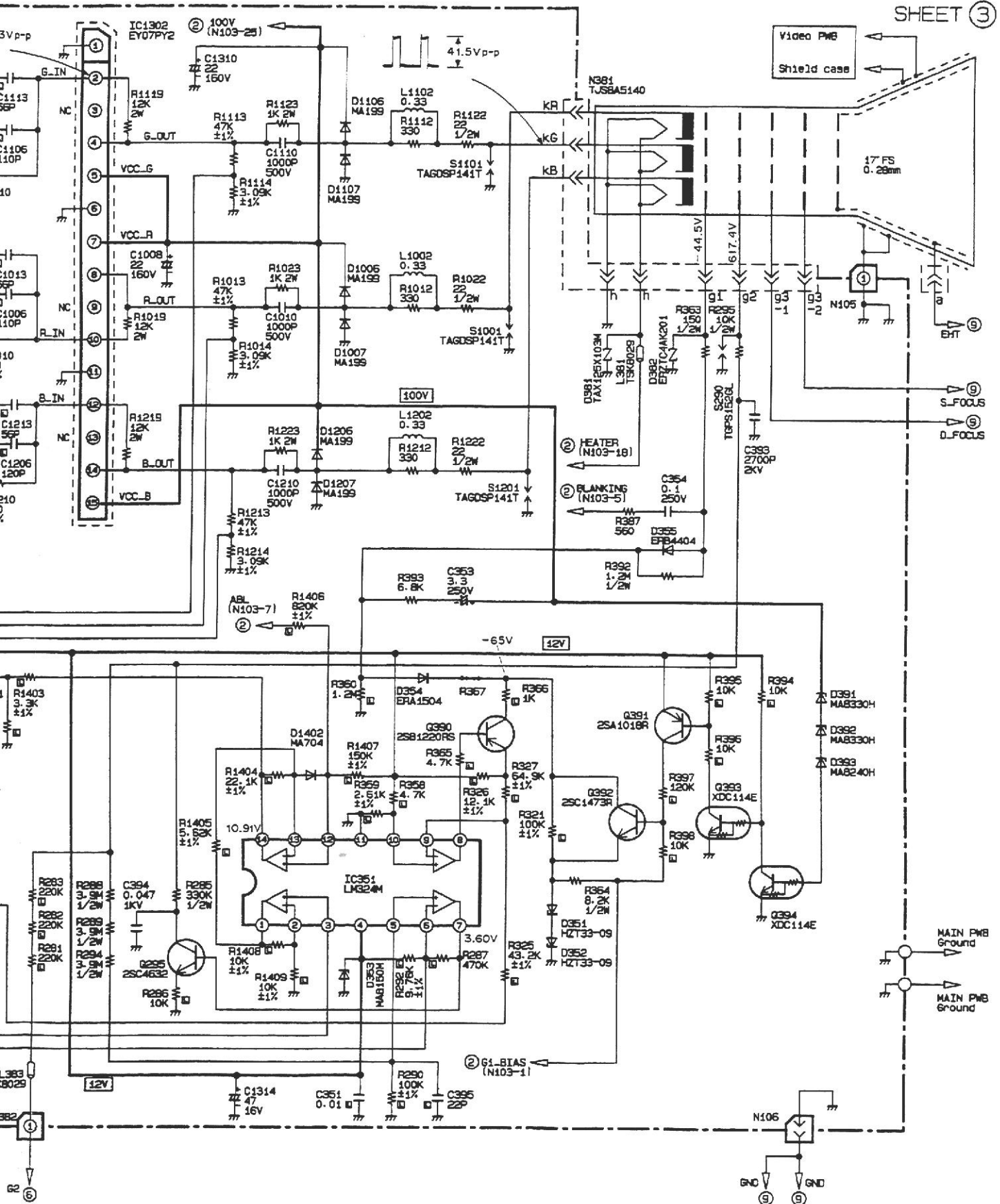


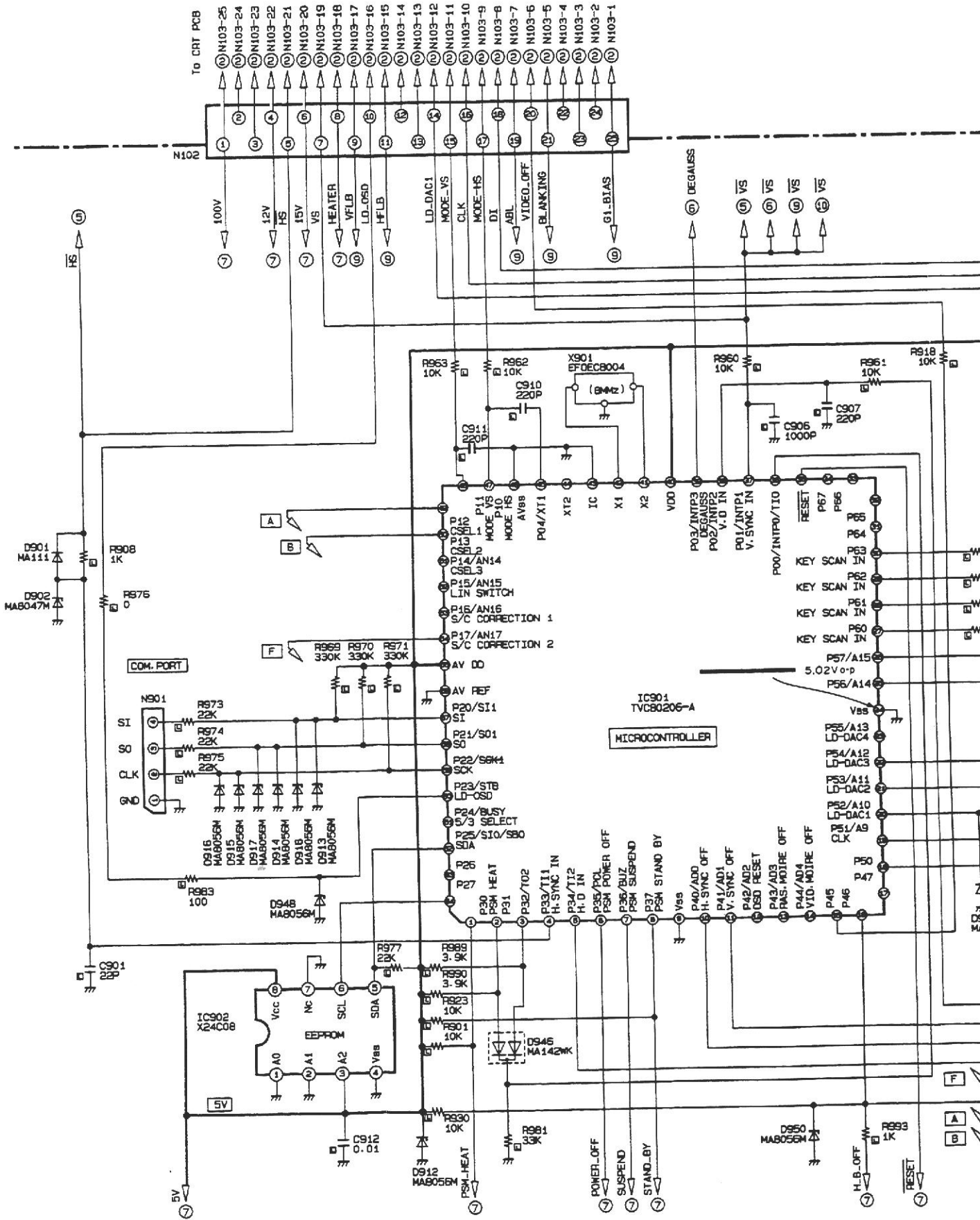


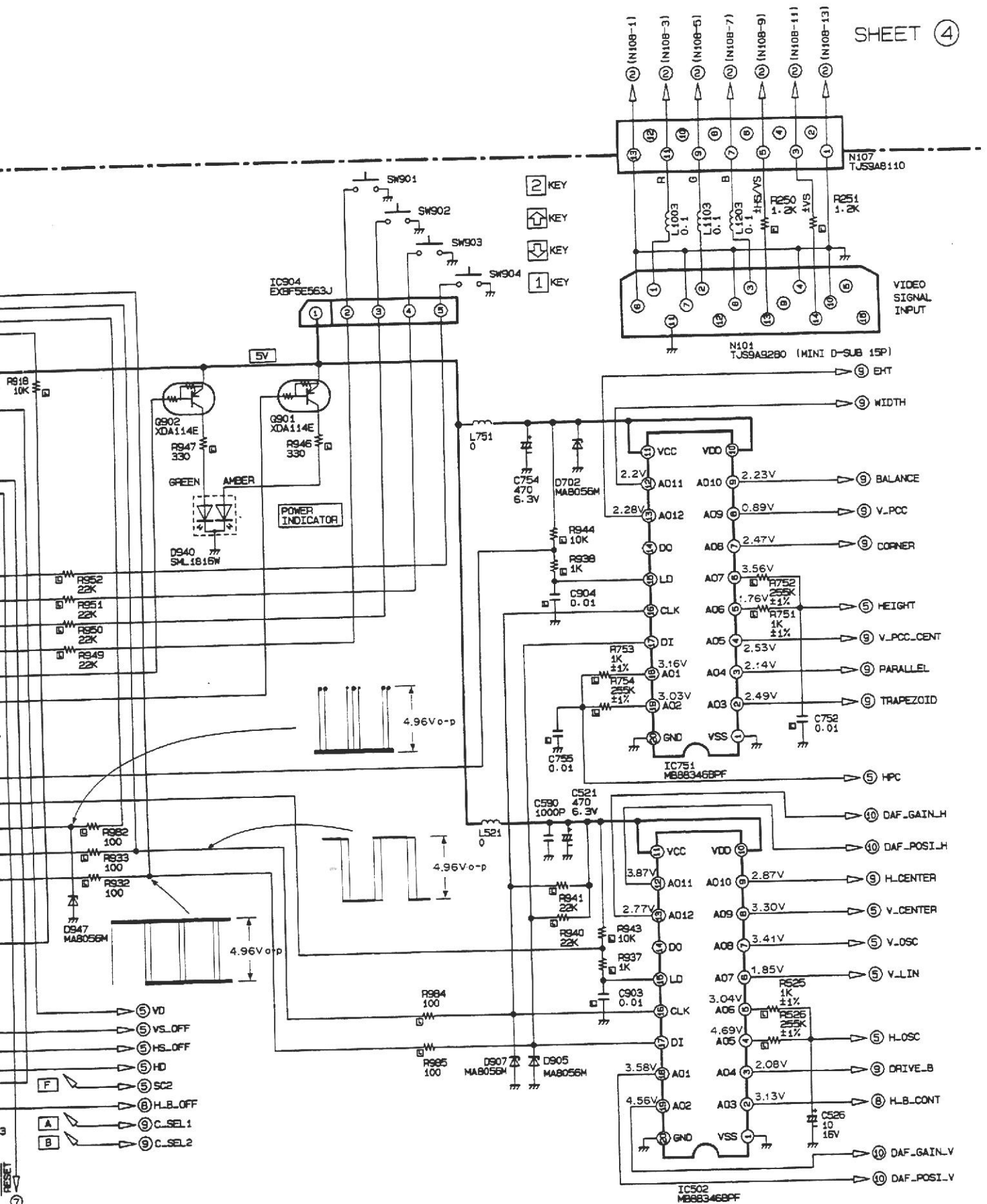
CRT PCB BLOCK

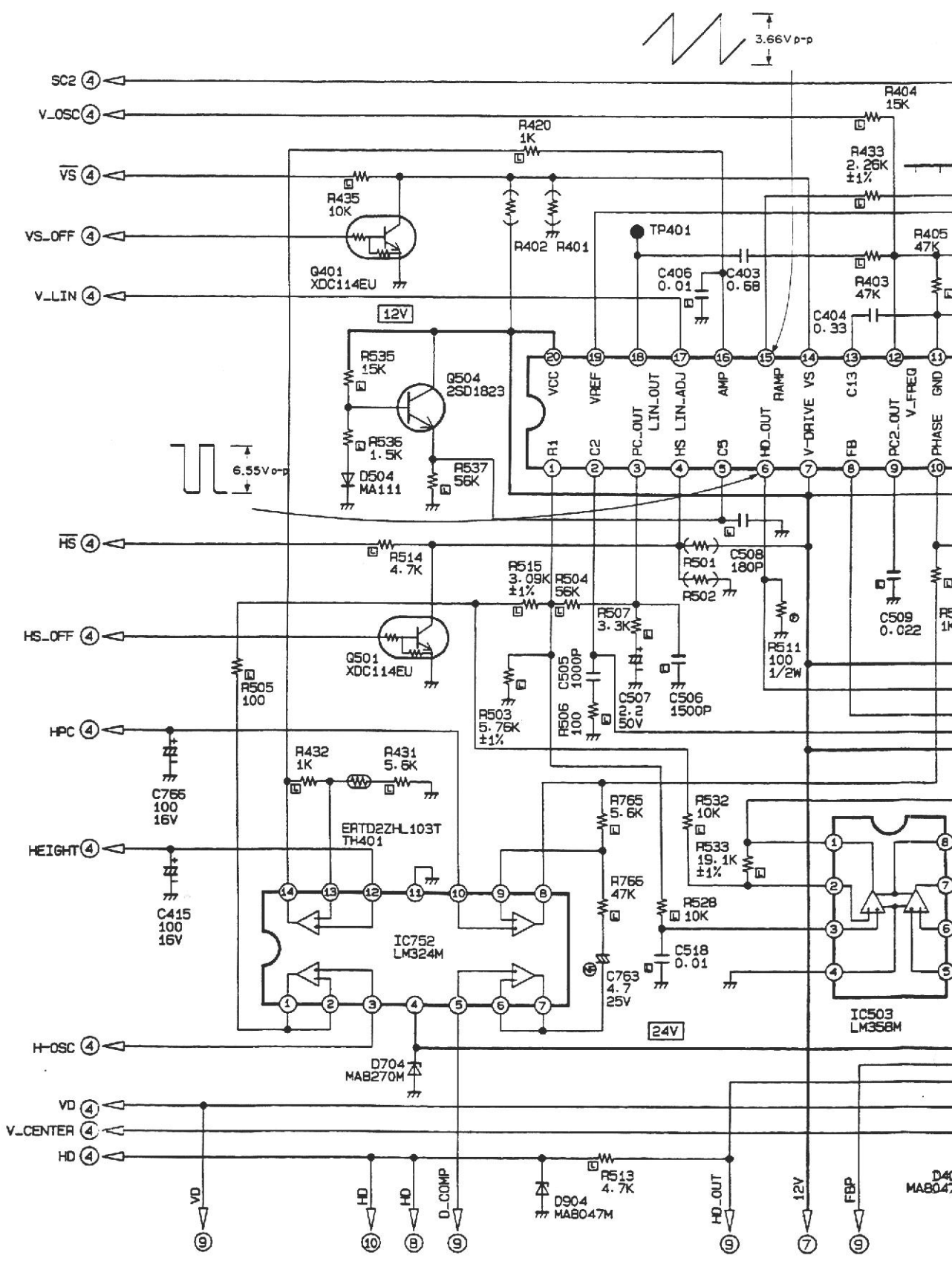
L383
TSK8029

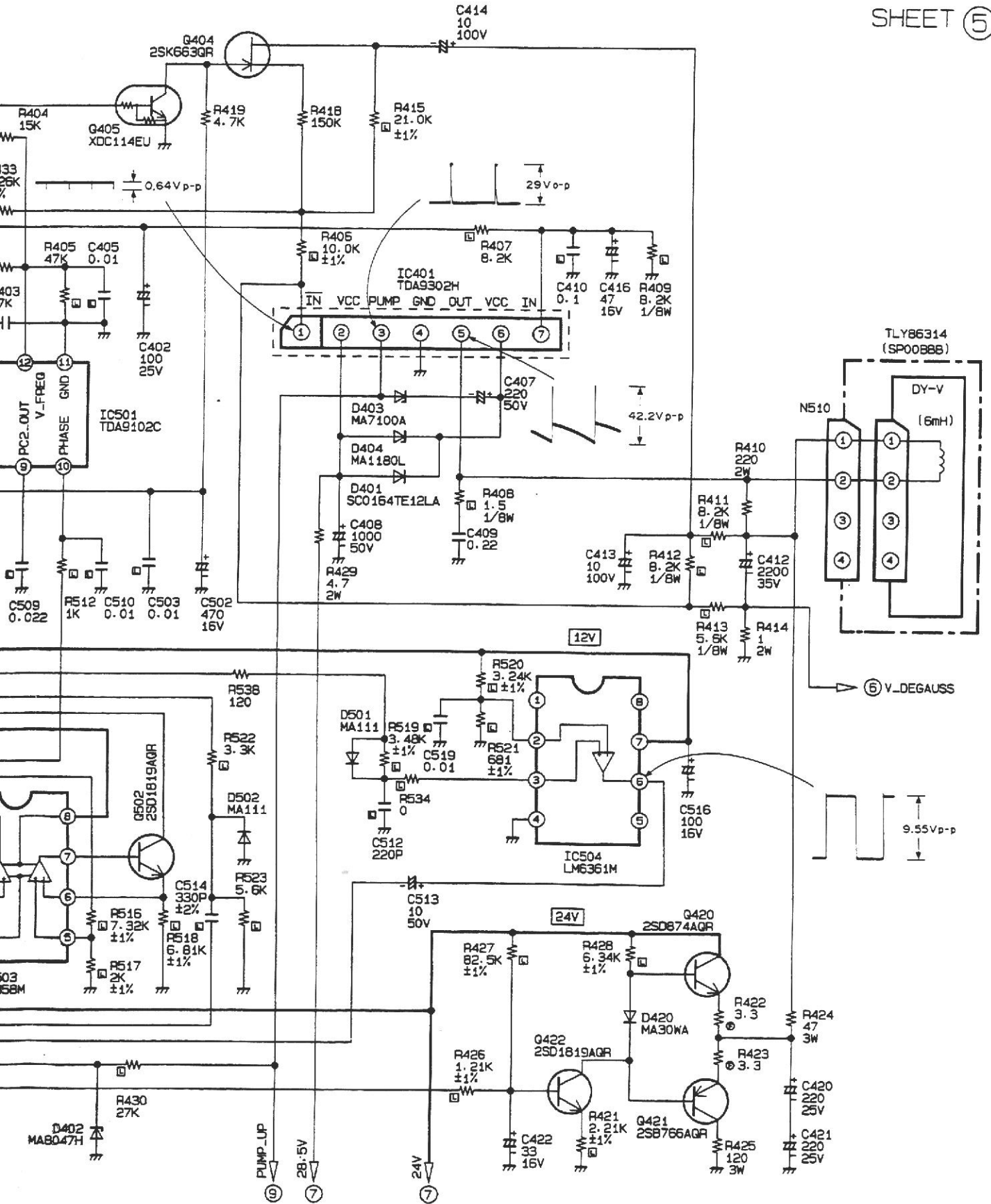
N382











G2_DEGAUSS_B ⑨

