

Schematic Diagrams

ViewSonic PT770

Model No. PT770-1

OPTIQUEST V775

Model No. 1782DC

17" Digital Controlled Color Monitor



(Rev. 1 - July 1996)

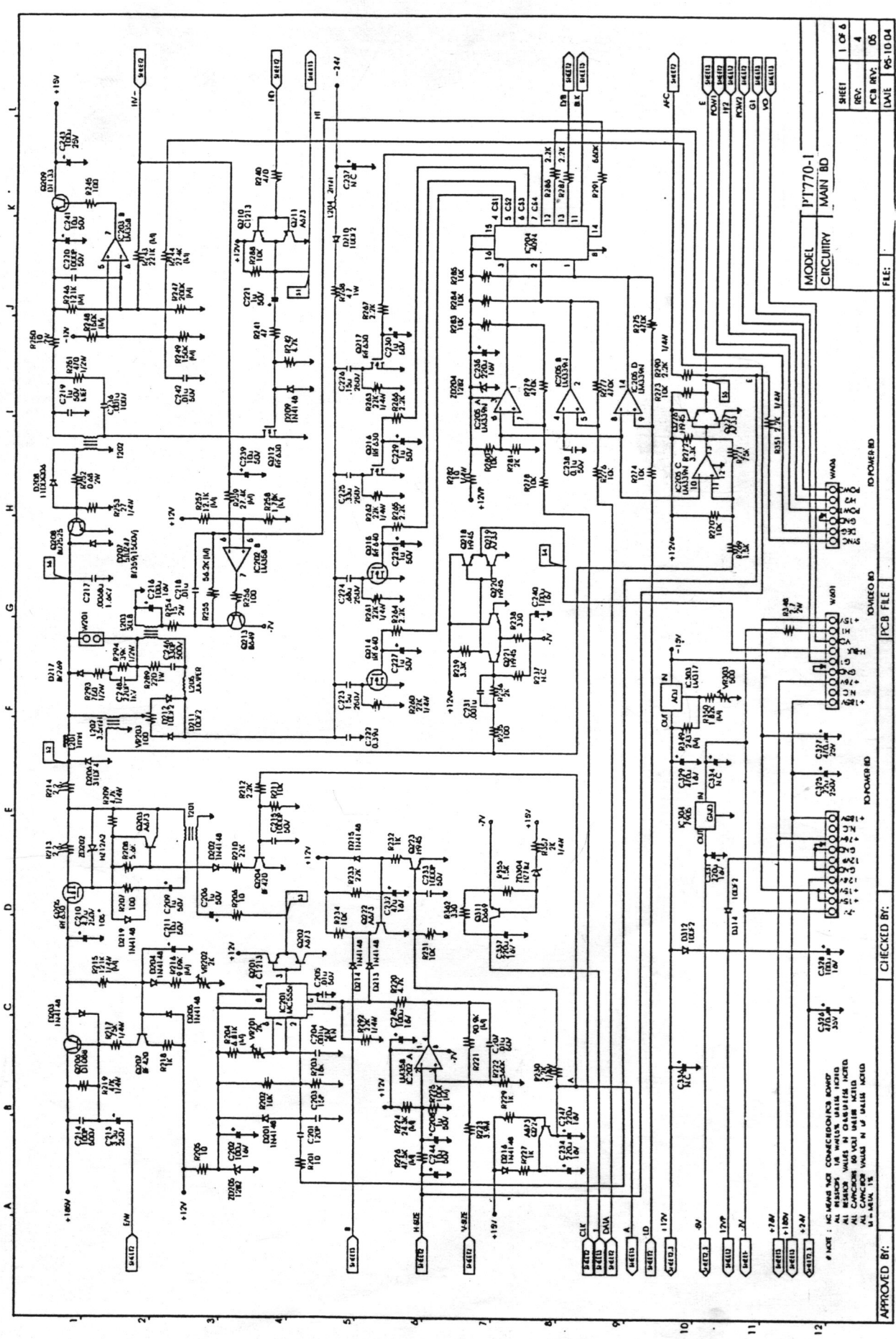
ViewSonic® 20480 E. Business Parkway, Walnut, California 91789 USA - (800) 888-8583

Copyright

Copyright © 1996 by ViewSonic Corp. All rights reserved. No part of this publication may be reproduced, transmitted, transcribed, stored in a retrieval system, or translated into any language or computer language, in any form or by any means, electronic, mechanical, magnetic, optical, chemical, manual or otherwise, without the prior written permission of ViewSonic, Corp.

Disclaimer

ViewSonic Corp. makes no representations or warranties, either expressed or implied, with respect to the contents hereof and specifically disclaims any warranty of merchantability or fitness for any particular purpose. Further, ViewSonic, Corp. reserves the right to revise this publication and to make changes from time to time in the contents hereof without obligation of ViewSonic, Corp. to notify any person of such revision or changes.



MODEL	P11770-1	
CIRCUITRY	MAIN BD	
SHEET	1 OF 6	
REV.	4	
PCB REV.	4	
DATE	95-10-04	

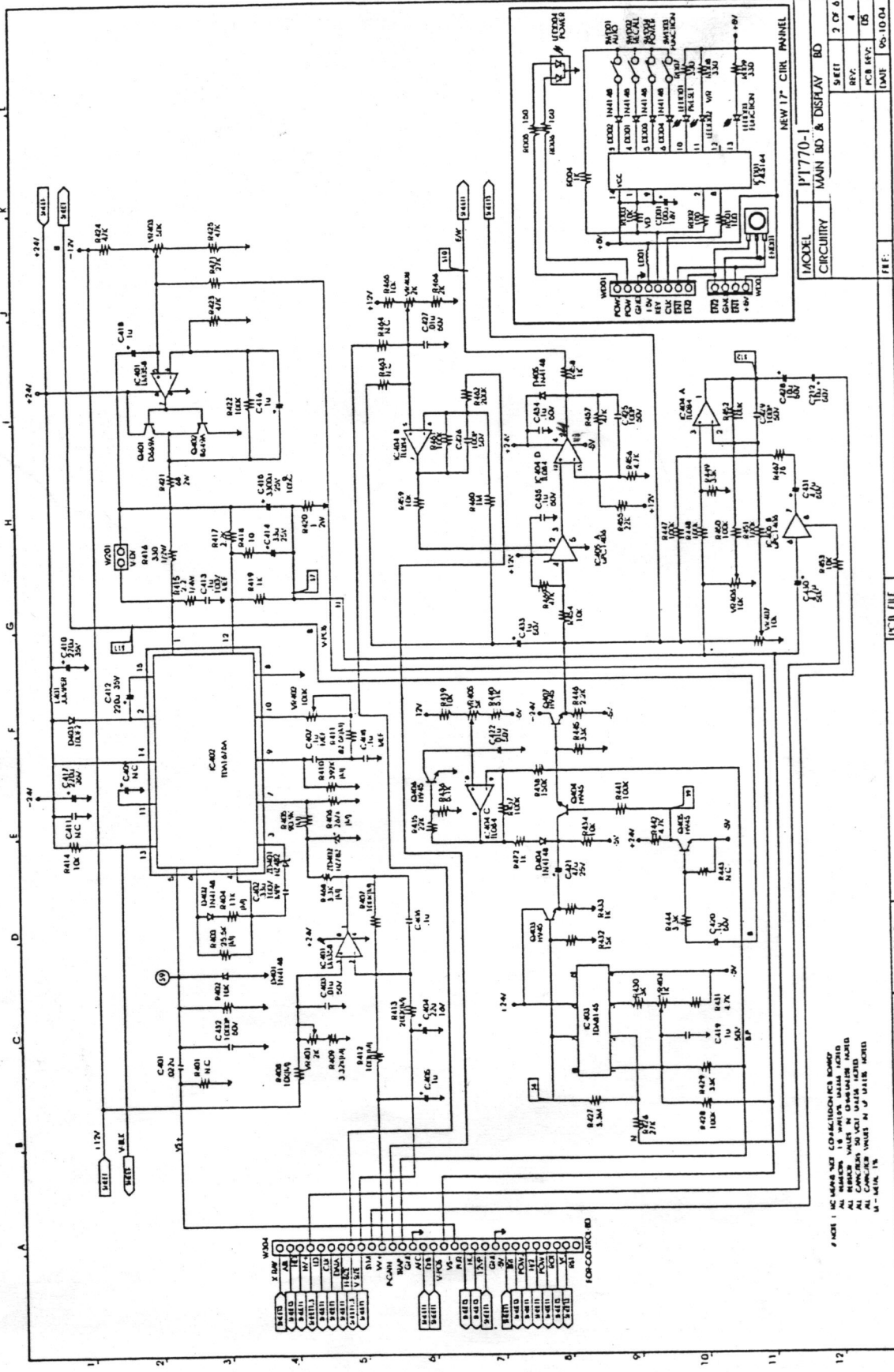
FILE:	
TO POWER BD	
TO MICRO BD	
TO PCB FILE	

CONNECTOR	DB	B	A	ID	AFC	+5V	+12V	-12V
WIRE	1	2	3	4	5	6	7	8

APPROVED BY: _____

CHECKED BY: _____

NOTE: IC PARTS AND CONNECTIONS SHOWN IN THIS DRAWING ARE SUBJECT TO CHANGE WITHOUT NOTICE. ALL DIMENSIONS ARE IN MILLIMETERS UNLESS OTHERWISE SPECIFIED. ALL DIMENSIONS ARE TO CENTER UNLESS OTHERWISE SPECIFIED.



A B C D E F G H J K L

1 2 3 4 5 6 7 8 9 10 11 12

FOR COMPONENTS

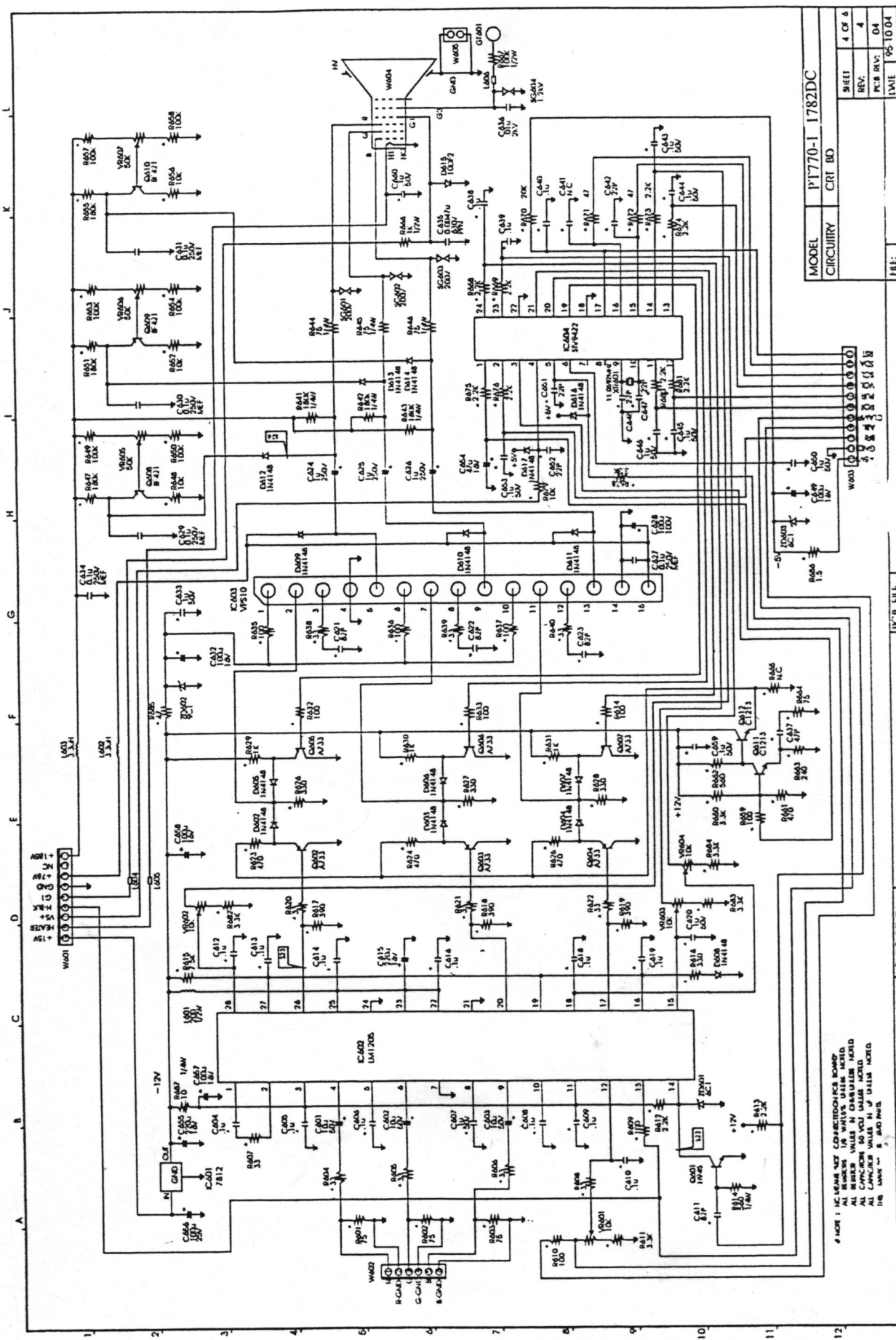
RESISTORS	IC401	IC402	IC403	IC404
RESISTORS	IC405	IC406	IC407	IC408
RESISTORS	IC409	IC410	IC411	IC412
RESISTORS	IC413	IC414	IC415	IC416
RESISTORS	IC417	IC418	IC419	IC420
RESISTORS	IC421	IC422	IC423	IC424
RESISTORS	IC425	IC426	IC427	IC428
RESISTORS	IC429	IC430	IC431	IC432
RESISTORS	IC433	IC434	IC435	IC436
RESISTORS	IC437	IC438	IC439	IC440
RESISTORS	IC441	IC442	IC443	IC444

NOTE 1: IC MARKING CO-ORDINATES SHOWN
 ALL RESISTOR VALUES IN OHMS UNLESS NOTED
 ALL CAPACITOR VALUES IN MICROFARADS UNLESS NOTED
 UNLESS NOTED

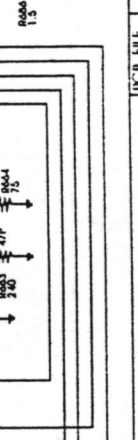
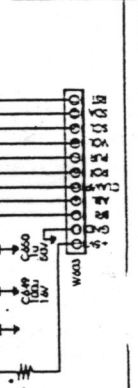
MODEL: P1770-1
 CIRCUITRY: MAIN BOARD & DISPLAY BOARD

SHEET	2 OF 6
REV.	4
PCB REV.	05
DATE	05-10-04

APPROVED BY: _____ CHECKED BY: _____ PCB FILE: _____

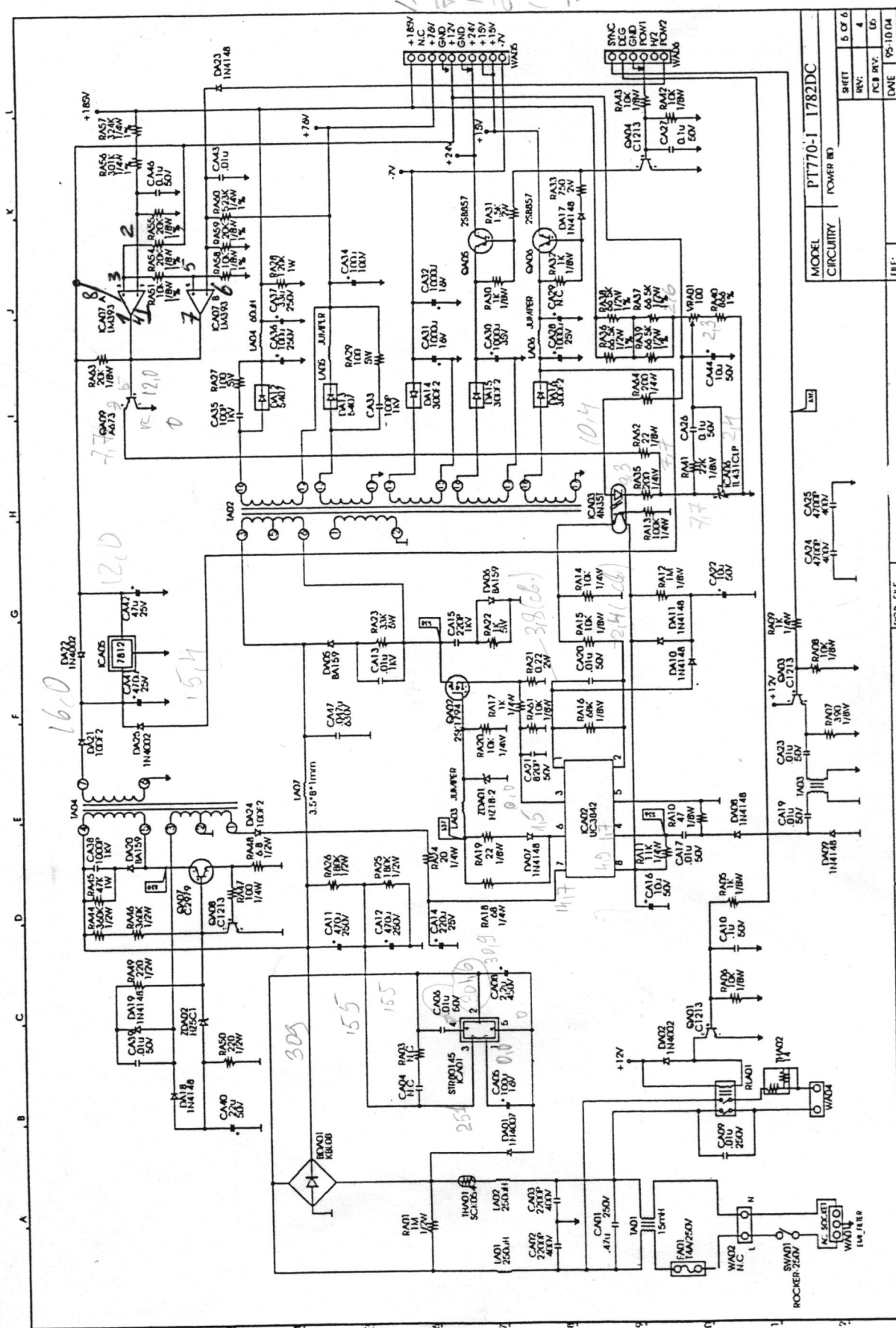


MODEL	P1770-1	1782DC
CIRCUITRY	CRT BD	
SHEET	4	OF 6
REV.		4
P.C.B. REV.		04
DATE		95.10.04



* NOTE: IC LEADS NOT CONNECTED TO POWER
 ALL DIMENSIONS IN MILLIMETERS UNLESS OTHERWISE SPECIFIED
 ALL DIMENSIONS IN INCHES UNLESS OTHERWISE SPECIFIED
 ALL CAPACITOR VALUES IN MICROFARADS UNLESS OTHERWISE SPECIFIED
 THE MARK - S - AND PARTS

APPROVED BY: _____
 CHECKED BY: _____
 PCB FILE: _____
 MODEL: P1770-1 1782DC
 CIRCUITRY: CRT BD
 SHEET: 4 OF 6
 REV: 4
 P.C.B. REV: 04
 DATE: 95.10.04



APPROVED BY: _____

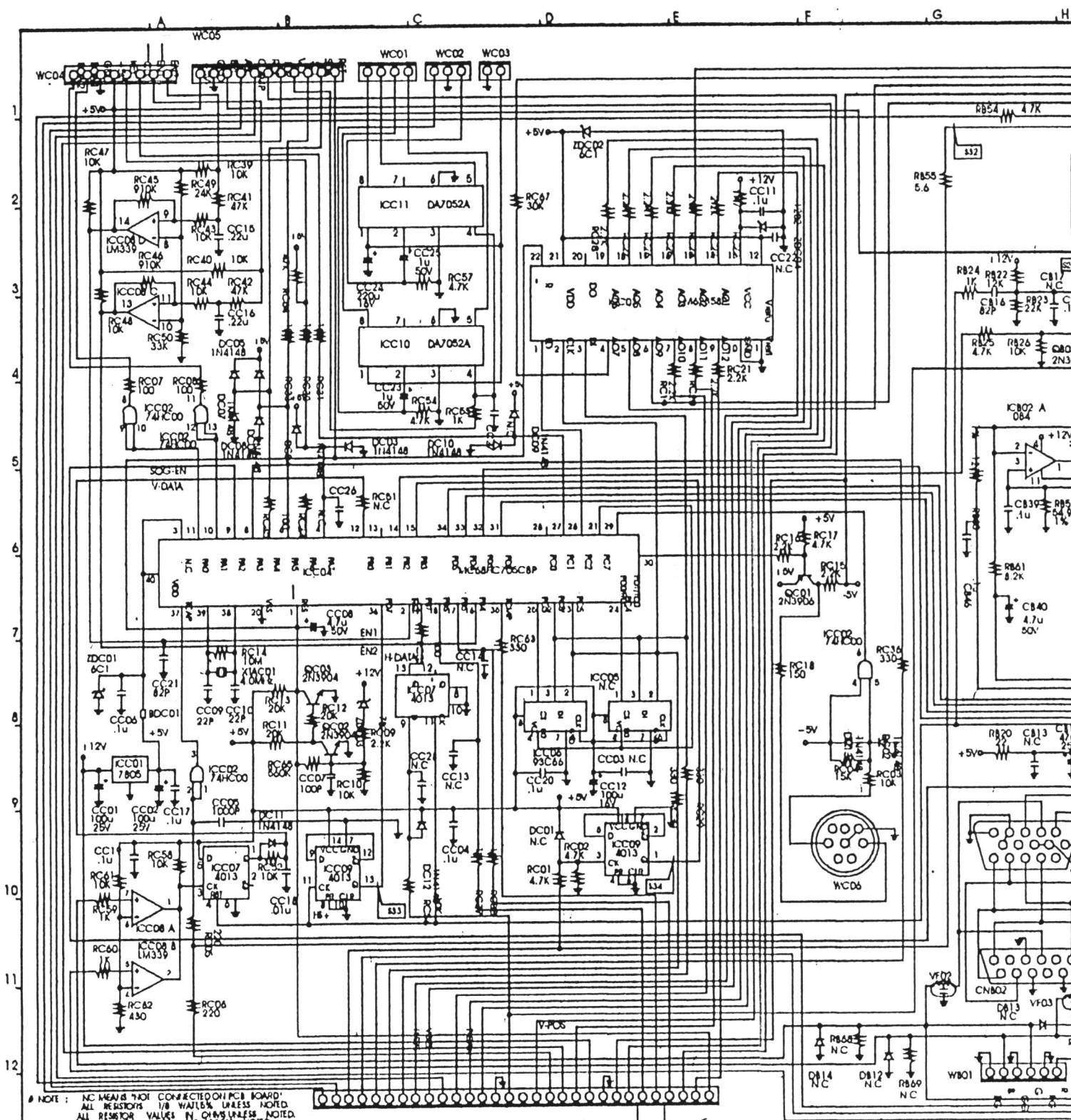
CHECKED BY: _____

ICB FILE: _____

MODEL: PT770-1 1782DC

CIRCUITRY: POWER BD

SHEET	5 OF 6
REV:	4
ICB REV:	ED
DWG	95-10 04

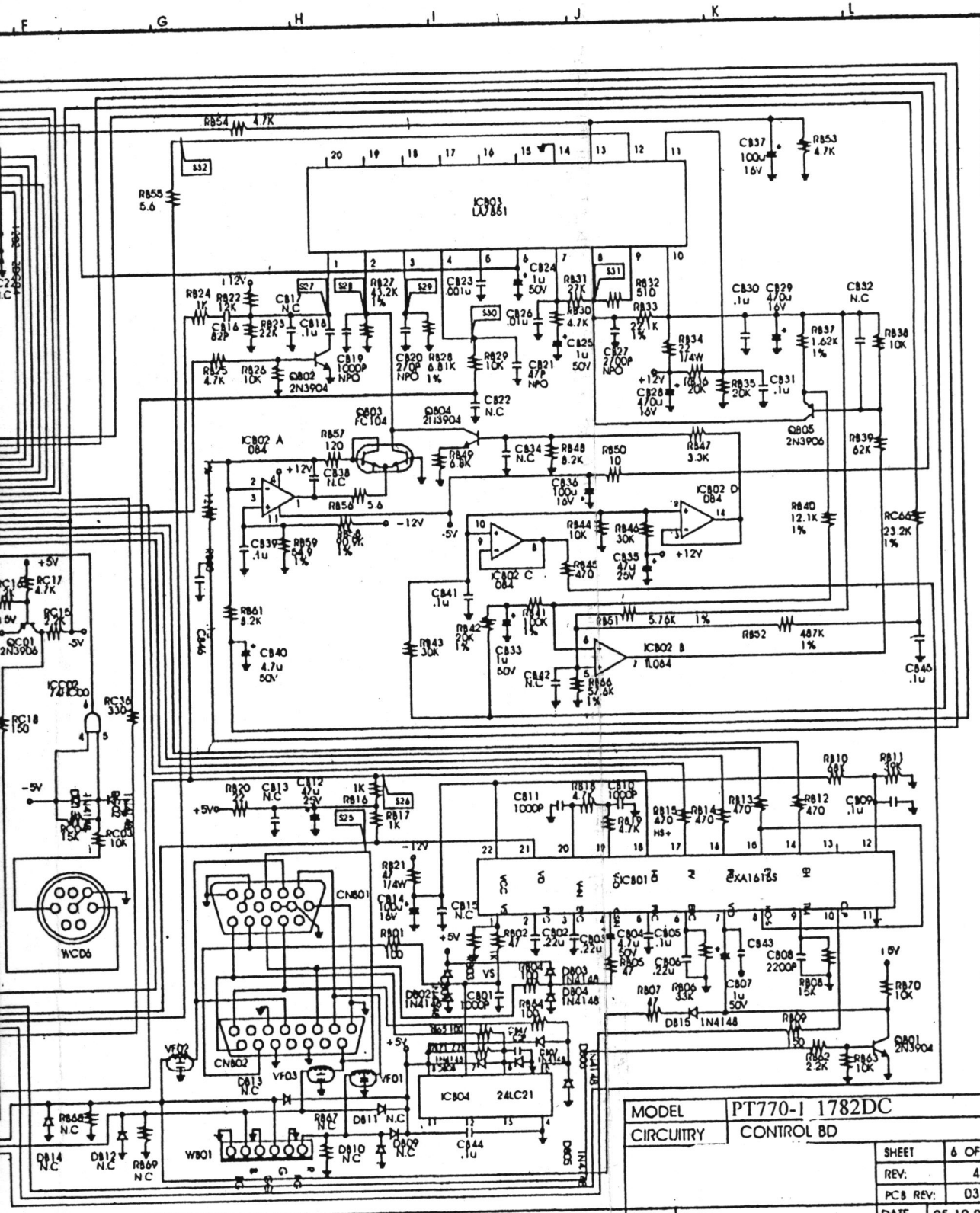


NOTE : NC MEANS NOT CONNECTED ON PCB BOARD.
 ALL RESISTORS 1/8 WATT 5% UNLESS NOTED.
 ALL CAPACITORS 50 VOLT UNLESS NOTED.
 ALL CONNECTION VALUES IN U UNLESS NOTED.

APPROVED BY:

CHECKED BY:

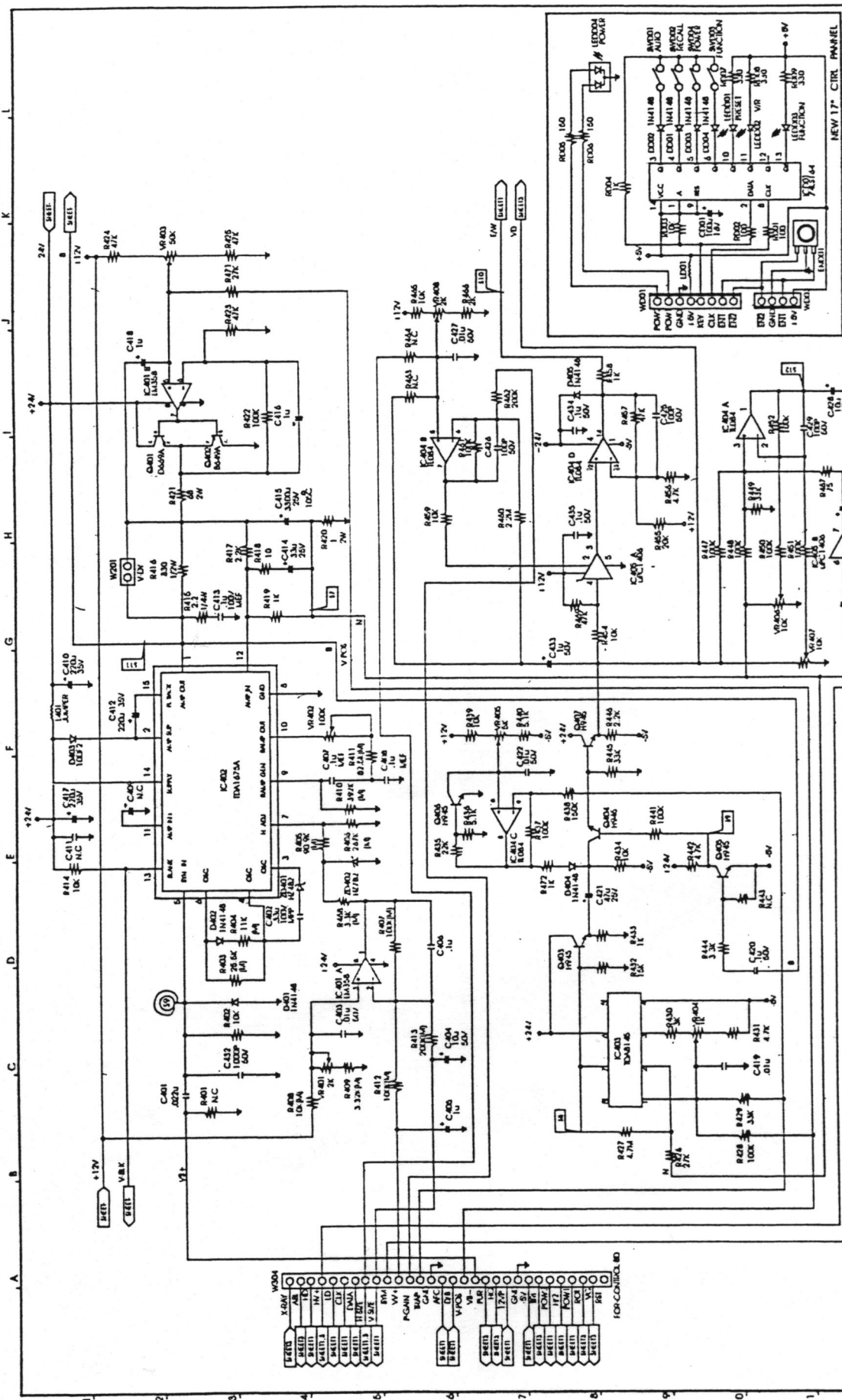
PCB FILE



MODEL	PT770-1 1782DC	
CIRCUITRY	CONTROL BD	
SHEET	6 OF 6	
REV.	4	
PCB REV.	D3	
DATE	95-10-04	

PCB FILE

FILE:



NEW 17' CTRL PANEL

MODEL	1782DC
CIRCUITRY	MAIN BD & DISPLAY BD
SHEET	2 OF 3
REV.	4
PCB REV.	D5
DATE	95-10-04

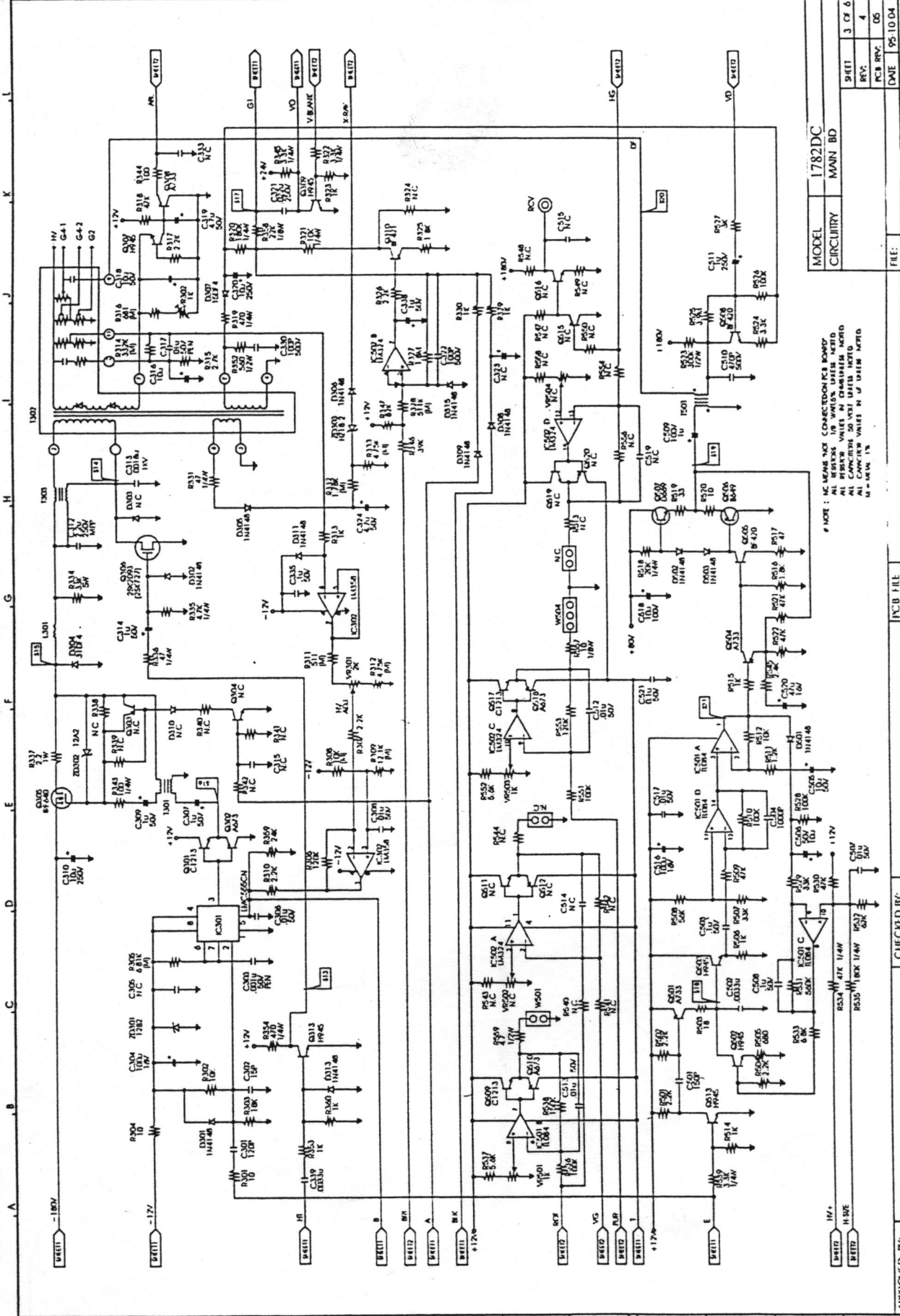
APPROVED BY: _____

PCB FILE _____

CHECKED BY: _____

* NOTE: IC LEADS NOT CONNECTED TO BOARD
 AT POSITION 1A UNTIL 1A IS MATED
 ALL RESISTOR VALUES IN OHMS UNLESS NOTED
 ALL CAPACITOR VALUES IN MICRO FARADS
 UNLESS NOTED

W001	W002	W003	W004	W005	W006	W007	W008	W009	W010	W011	W012	W013	W014	W015	W016	W017	W018	W019	W020	W021	W022	W023	W024	W025	W026	W027	W028	W029	W030	W031	W032	W033	W034	W035	W036	W037	W038	W039	W040
------	------	------	------	------	------	------	------	------	------	------	------	------	------	------	------	------	------	------	------	------	------	------	------	------	------	------	------	------	------	------	------	------	------	------	------	------	------	------	------



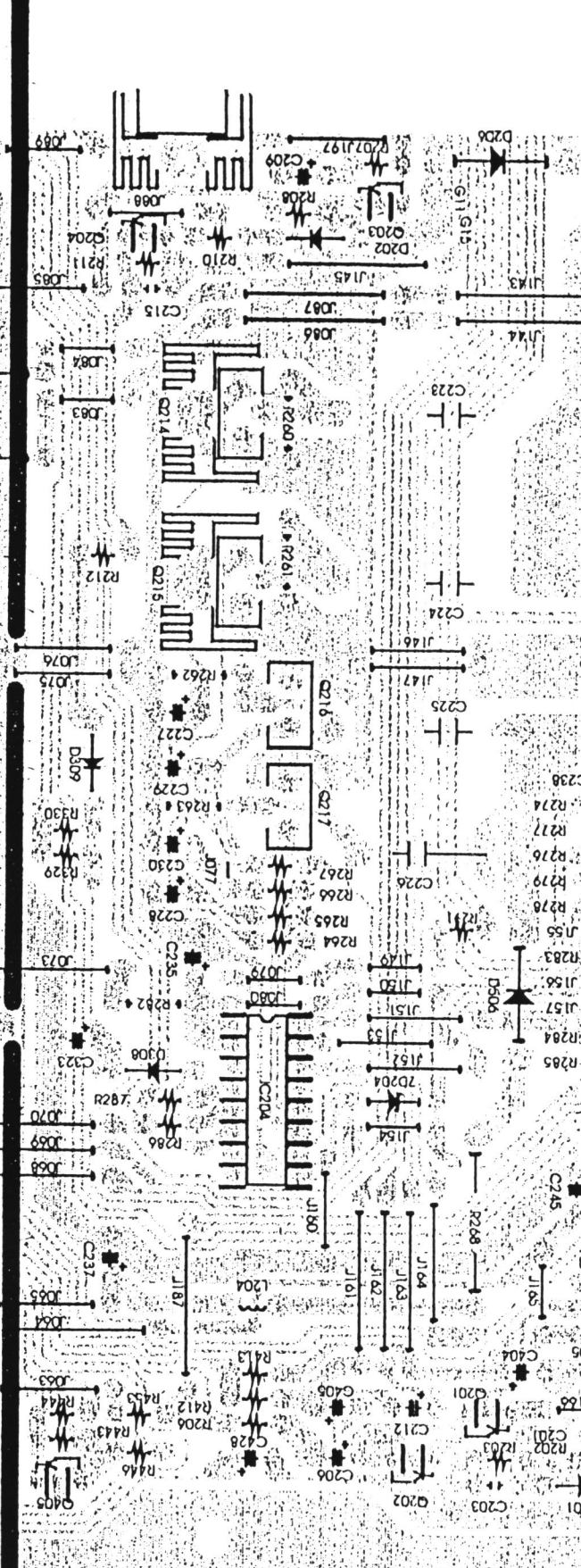
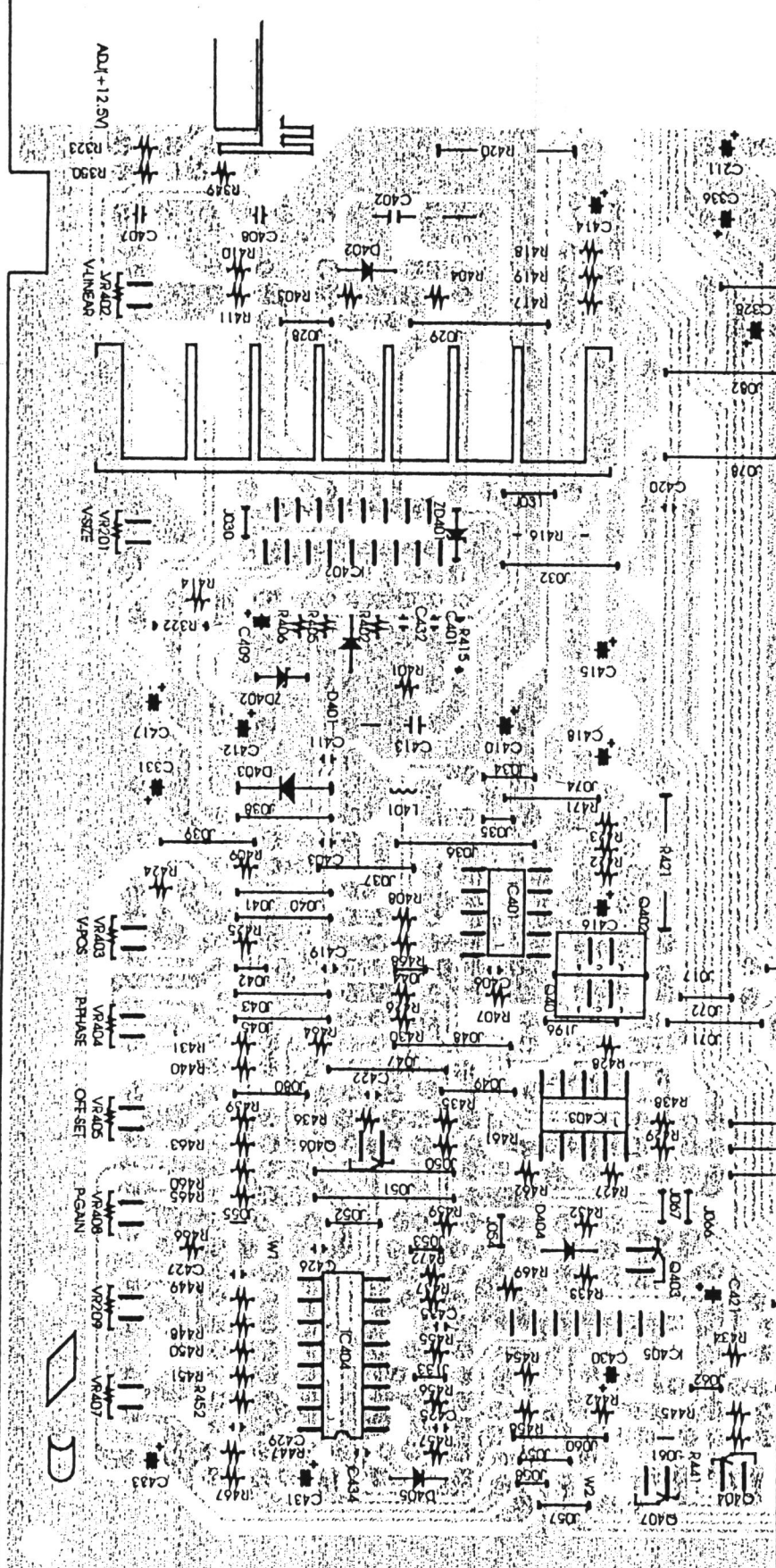
MODEL	1782DC
CIRCUITRY	MAIN BD
SHEET	3 OF 6
REV.	4
PCB REV.	05
DATE	05.10.04

NOTE: NC MEANS NO CONNECTIONS BOARD
 ALL VALUES IN WHICH UNITS ARE NOT
 SPECIFIED ARE IN OHMS UNLESS NOTED
 OTHERWISE
 ALL CAPACITORS UNLESS IN U.S. UNITS
 ARE IN P.F.

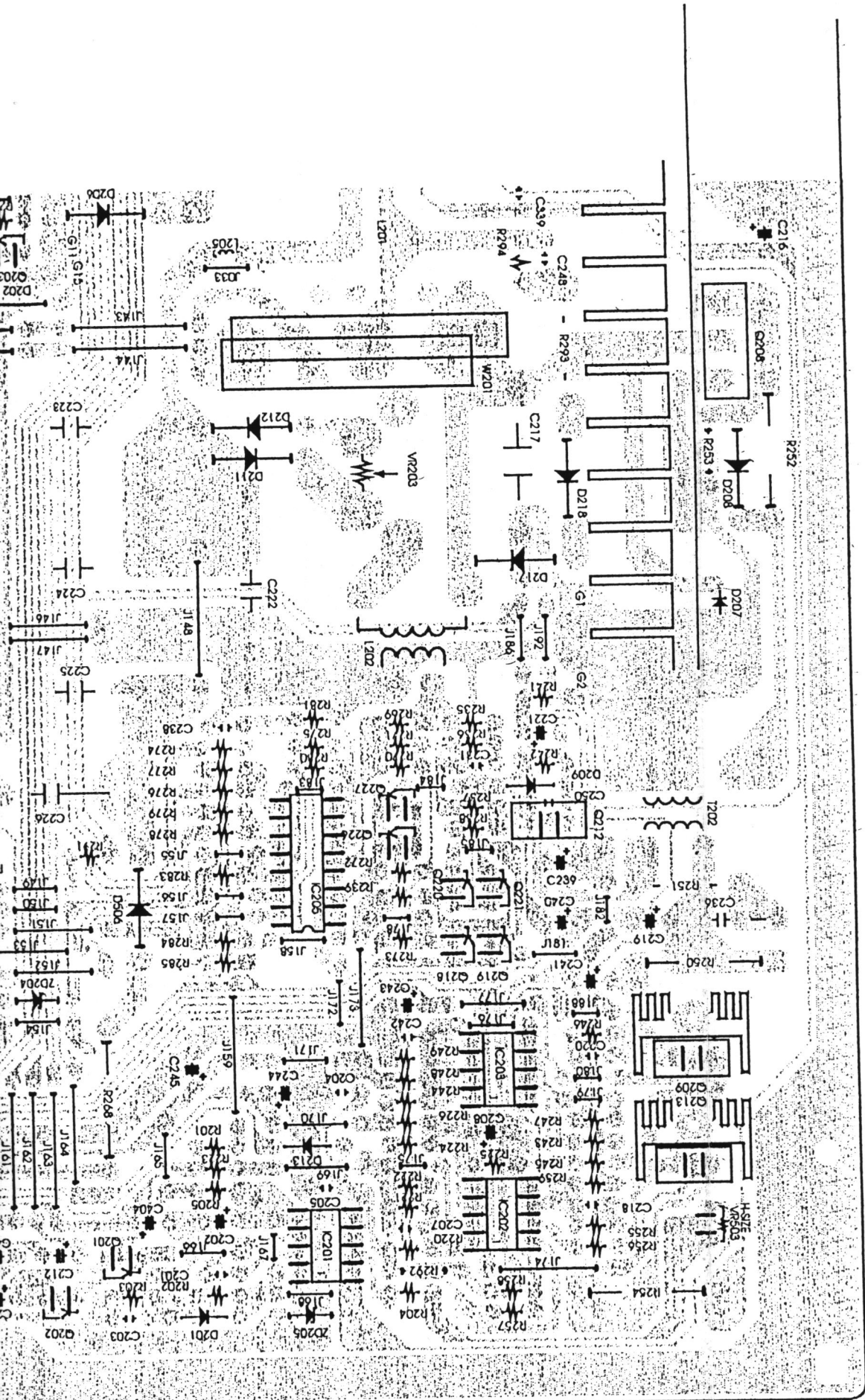
PCB FILE

CHECKED BY:

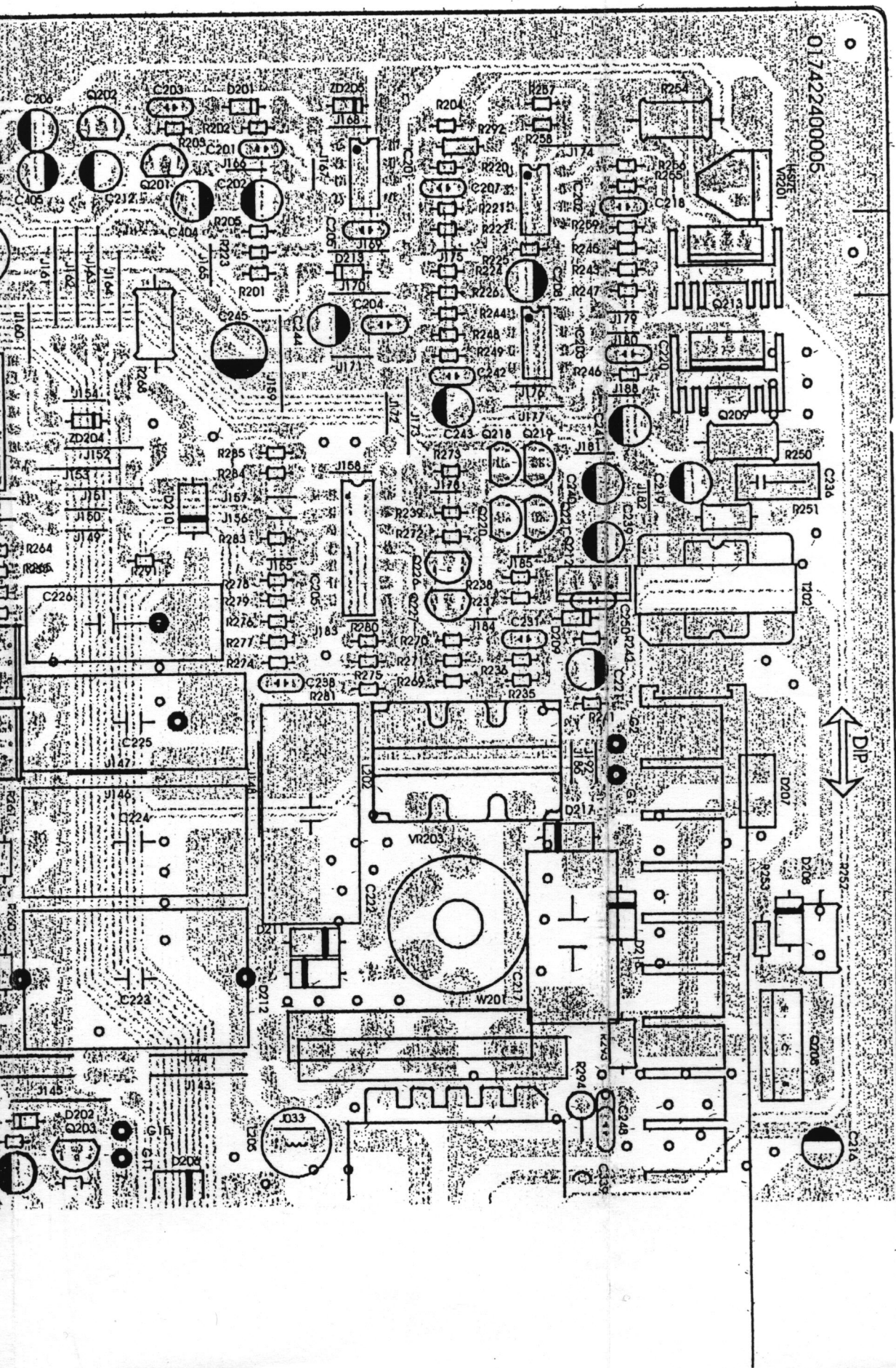
APPROVED BY:

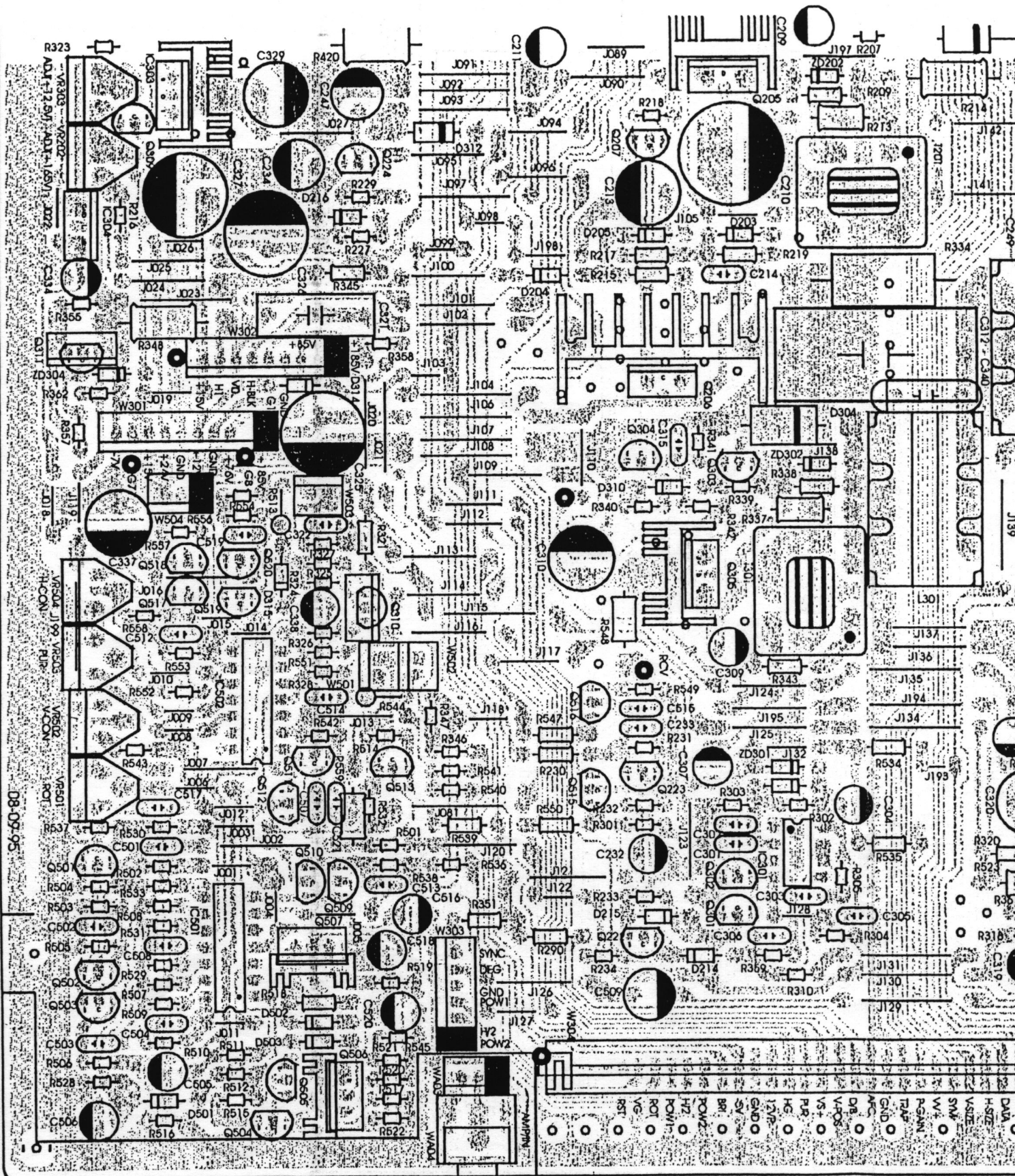


MAIN BOARD (SOLDER SIDE)



MAIN BOARD (COMPONENT SIDE)





08-09-95

- DATA
- HSTZ
- VASIE
- SMV
- WV
- REGAN
- GND
- TRAP
- AVCS
- DE
- V+
- PR
- 12V
- GND
- POW2
- BN
- SV
- HZ
- ROT
- POW1
- VC
- RT

REPLACEMENT PARTS LIST

V775

PT770

DATE : 84 / 9 / 12 PAGE : 1 OF 2

NO	LOCATION	PART-NO	DESCRIPTION	PART-NO	DESCRIPTION
		3017-0010-0150 : ASS'Y 17" MAIN BD			
1	C217	0120-4562-9131	M P/C PPS 0.0056uF 1.6KV J F-K	0120-4682-9131	P/C PPS 0.0068uF 1.6KV J F-K
2	C222	0120-3334-2531	P/C PPN 0.33uF 250V J F-K	0120-3394-2531	P/C PPN 0.39uF 250V J F-K
3	C223	0120-9125-4031	MPS 1.2uF 400V J F-K	0120-9155-4031	P/C MPS 1.5uF 400V J F-K
4	C224	0120-3474-2531	P/C PPN 0.47uF 250V J F-K	0120-3684-2531	P/C PPN 0.68uF 250V J F-K
5	C225	0120-3224-2531	P/C PPN 0.22uF 250V J F-K	0120-3334-2531	P/C PPN 0.33uF 250V J F-K
6	C226	0120-3104-2531	P/C PPN 0.1uF 250V J F-K	0120-3154-2531	P/C PPN 0.15uF 250V J F-K
7	C514	N.C.		0111-1103-5122	C/C DISK 0.01uF 50V Z5U F-K
8	C519	N.C.		0111-1103-5122	C/C DISK 0.01uF 50V Z5U F-K
9	L201	0369-0100-0020	CHOKE COIL EI30 1.5mH 1A	0369-0100-0030	CHOKE COIL EI30 1.0mH 1A
10	L203	0381-0000-0020	LINEARITY COIL 34uH 6A	0381-0000-0010	LINEARITY COIL 24uH 6A
11	Q208	0410-2000-2505	TRANSISTOR 2SC5048 TO-3P	0410-2000-2511	TRANSISTOR BU2525AF TO-3P
12	Q511	N.C.		0410-2000-3106	TRANSISTOR 2SC1213AC TO-92
13	Q512	N.C.		0410-0000-2106	TRANSISTOR 2SA673AC TO-92
14	Q519	N.C.		0410-2000-3106	TRANSISTOR 2SC1213AC TO-92
15	Q520	N.C.		0410-0000-2106	TRANSISTOR 2SA673AC TO-92
16	R204	0131-6801-1810	RES. MF 6.8Kohm 1/8W F A	0131-5111-1810	RES. MF 5.1Kohm 1/8W F A
17	R243	0131-1303-1810	RES. MF 130Kohm 1/8W F A	0131-2213-1810	RES. MF 221Kohm 1/8W F A
18	R244	0131-2743-1810	RES. MF 274Kohm 1/8W F A	0131-2433-1810	RES. MF 243Kohm 1/8W F A
19	R247	0131-2003-1810	RES. MF 200Kohm 1/8W F A	0131-1503-1810	RES. MF 150Kohm 1/8W F A
20	R252	0132-0828-0252	RES. MOF 0.82ohm 2W J A-FK	0132-0688-0252	RES. MOF 0.68ohm 2W J A-FK
21	R348	0132-1508-0252	RES. MOF 1.5ohm 2W J A-FK	0132-2708-0252	RES. MOF 2.7ohm 2W J A-FK
22	R513	N.C.		0130-7509-1254	RES. CF 75ohm 1/2W J R-K
23	R538	0130-1503-1850	RES. CF 150Kohm 1/8W J A	0130-1303-1850	RES. CF 130Kohm 1/8W J A
24	R541	N.C.		0131-1003-1810	RES. MF 100Kohm 1/8W F A
25	R542	N.C.		0130-1303-1850	RES. CF 130Kohm 1/8W J A
26	R543	N.C.		0130-5601-1850	RES. CF 5.6Kohm 1/8W J A
27	R544	N.C.		0130-7509-1254	RES. CF 75ohm 1/2W J R-K
28	R554	N.C.		0131-1003-1810	RES. MF 100Kohm 1/8W F A
29	R556	N.C.		0130-1303-1850	RES. CF 130Kohm 1/8W J A
30	R558	N.C.		0130-5601-1850	RES. CF 5.6Kohm 1/8W J A
31	R559	0130-4708-1250	RES. CF 4.7ohm 1/2W J A	0130-6209-1250	RES. CF 62ohm 1/2W J A
32	VR502	N.C.		0151-1023-1001	SVR M/STAND/B 1Kohm B 6
33	VR504	N.C.		0151-1023-1001	SVR M/STAND/B 1Kohm B 6
34	W501	0451-2500-0213	WAFER 2.50mm 2P 180°Kink	0451-2000-0203	WAFER 2.00mm 2P 180°Kink
35	W502	N.C.		0451-2000-0203	WAFER 2.00mm 2P 180°Kink
36	W503	N.C.		0451-2000-0203	WAFER 2.00mm 2P 180°Kink
		3017-0010-0152 : CHASSY 17" CRT BD			
I	W604	0261-0000-0011	CRT SOCKET 17" V775 Ver1	0261-0000-0021	CRT SOCKET 17" PT770 Ver1

REPLACEMENT PARTS LIST
 MODEL PT770-1 1782DC

PART NO	DESCRIPTION	QTY
0101-1100-1501	E/C GEN. 10uF 50V 85°F C211 ,C212 ,C239 ,C241 ,C244 ,C316 ,C318 C428 ,C505 ,C506 ,C601 ,C602 ,C603 ,CA16 CA22 ,CA44	16
0101-1100-2001	E/C GEN. 10uF 100V 85°F C518	1
0101-1100-2302	E/C GEN. 10uF 250V 85°K C310 ,C320	2
0101-1101-1200	E/C GEN. 100uF 16V 85°N-F CD01	1
0101-1101-1201	E/C GEN. 100uF 16V 85°F C202 ,C216 ,C240 ,C245 ,C304 C328 ,C516 C632 ,C649 C657 ,C658 ,CA05 ,CB14 ,CB36 CB37 ,CC12	16
0101-1101-1301	E/C GEN. 100uF 25V 85°F C243 ,C656 ,CC01 ,CC02	4
0101-1101-2002	E/C GEN. 100uF 100V 85°K C628	1
0101-1101-2012	E/C GEN. 100uF 100V 105°K CA34	1
0101-1101-2312	E/C GEN. 100uF 250V 105°K CA36	1
0101-1102-1212	E/C GEN. 1000uF 16V 105°K CA31,CA32	2
0101-1102-1312	E/C GEN. 1000uF 25V 105°K CA28	1
0101-1102-1412	E/C GEN. 1000uF 35V 105°F CA30	1

PART NO	DESCRIPTION	QTY
01-1109-1501	E/C GEN. 1uF 50V 85'F C206 ,C208 ,C209 ,C221 ,C227 ,C228 ,C229 C230 ,C307 ,C309 ,C338 ,C405 ,C416 ,C418 C433 ,CB07 ,CB24 ,CB25 ,CB33	19
01-1109-1511	E/C GEN. 1uF 50V 105'F C219 ,C314	2
01-1109-2001	E/C GEN. 1uF 100V 85'F C509	1
01-1109-2301	E/C GEN. 1uF 250V 85'F C511 ,C624 ,C625 ,C626	4
01-1220-1201	E/C GEN. 22uF 16V 85' F C404	1
01-1220-1501	E/C GEN. 22uF 50V 85' F CA40	1
01-1220-2302	E/C GEN. 22uF 250V 85'F-K C325	1
01-1221-1201	E/C GEN. 220uF 16V 85'F C234 ,C235 ,C247 ,C331 ,C337 ,C615 ,C655	7
01-1221-1311	E/C GEN. 220uF 25V 105' F CA14	1
01-1221-1402	E/C GEN. 220uF 35V 85'F C410 ,C412 ,C417	3
01-1229-4512	E/C GEN. 2.2uF 450V 105' K CA08	1
01-1330-1301	E/C GEN. 33uF 25V 85'F C414	1
01-1330-2312	E/C GEN. 33uF 250V 105' K CA37	1

PART NO	DESCRIPTION	QTY
0101-1332-1312	E/C GEN. 3300uF 25V 105°F-K C415	1
0101-1339-2302	E/C GEN. 3.3uF 250V 85°F-K C213	1
0101-1470-1201	E/C GEN. 47uF 16V 85°F C232 ,C520 ,C654	3
0101-1470-1301	E/C GEN. 47uF 25V 85°F C421 ,CA42 ,CB12 ,CB35	4
0101-1471-1201	E/C GEN. 470uF 16V 85°F C329 ,CB28 ,CB29	3
0101-1471-1302	E/C GEN. 470uF 25V 85°F-K C327 ,CA41	2
0101-1471-1402	E/C GEN. 470uF 35V 85°F-K C326	1
0101-1471-2303	E/C GEN. 470uF 250V 85°F S CA11 ,CA12	2
0101-1479-1501	E/C GEN. 4.7uF 50V 85°F C319 ,C324 ,C430 ,C431 ,CB04 ,CB40 ,CC08	7
0101-2109-1501	E/C B-P. 1uF 50V 85°F C419	1
0101-4479-2312	E/C H-R. 4.7uF 250V 105°F-K C210	1
0111-1101-1312	C/C DISK 100PF 1KV Y5P F-K CA33 ,CA35	2
0111-1102-1312	C/C DISK 1000PF 1KV Y5P F-K CA38	1
0111-1102-5112	C/C DISK 1000PF 50V Y5P F-K C215 ,C220 ,C231 ,C233 ,C432 ,C504	6

PART NO	DESCRIPTION	QTY
0111-1103-1322	C/C DISK 0.01uF 1KV Z5U F-K CA13	1
0111-1103-2322	C/C DISK 0.01uF 2KV Z5U F-K C636	1
0111-1103-5122	C/C DISK 0.01uF 50V Z5U F-K C205 ,C207 ,C218 ,C242 ,C306 ,C308 ,C403 C422 ,C427 ,C507 ,C512 ,C513 ,C514 ,C517 C519 ,CA43	16
0111-1104-5102	C/C DISK 0.1uF 50V Y5V F-K C238 ,C335 ,C406 ,C420 ,C434 ,C435 ,C503 C508 ,C521 ,CA10 ,CA26 ,CA27 ,CA46	13
0111-1152-5212	C/C DISK 1500PF 500V Y5P F-K C246	1
0111-1221-1312	C/C DISK 220PF 1KV Y5P F-K CA15	1
0111-1221-5212	C/C DISK 220PF 500V Y5P F-K C248	1
0111-1223-5102	C/C DISK 0.022uF 50V Y5V F-K C401	1
0111-1332-5122	C/C DISK 0.0033uF 50V Z5U F-K C339	1
0111-1471-5212	C/C DISK 470PF 500V Y5P F-K C510	1
0111-1821-5112	C/C DISK 820P Y5P 50V F-K CA21	1
0111-2101-5102	C/C DISK 100PF 50V NPO F-K C425 ,C426 ,C429	3
0111-2101-5202	C/C DISK 100PF 500V NPO F-K C214 ,C322 ,C330	3

PART NO	DESCRIPTION	QTY
0111-2121-5102	C/C DISK 120PF 50V NPO F-K C201 ,C301	2
0111-2150-5102	C/C DISK 15PF 50V NPO F-K C203 ,C302	2
0111-2151-5102	C/C DISK 150PF 50V NPO F-K C501	1
0111-3101-5104	C/M Multi. 100PF 50V NPO 1206 CC07	1
0111-3102-5101	C/M Multi. 1000PF 50V NPO DIP CB23	1
0111-3102-5104	C/M Multi. 1000PF 50V NPO 1206 CB19	1
0111-3102-5114	C/M Multi. 1000PF 50V X7R 1206 CB01 ,CB10 ,CB11 ,CC05	4
0111-3103-5124	C/M Multi. 0.01uF 50V Z5U 1206 CB26 ,CC18	2
0111-3104-5124	C/M Multi. 0.1uF 50V Z5U 1206 C604 ,C605 ,C606 ,C607 ,C608 ,C609 ,C610 C612 ,C613 ,C614 ,C616 ,C618 ,C619 ,C620 C633 ,C638 ,C639 ,C640 ,C643 ,C644 ,C645 C646 ,C650 ,C653 ,C659 ,C660 ,CB05 ,CB09 CB18 ,CB30 ,CB31 ,CB39 ,CB41 ,CB44 ,CB45 CB46 ,CC04 ,CC06 ,CC11 ,CC17 ,CC19 ,CC20	42
0111-3220-5104	C/M Multi. 22PF 50V NPO 1206 C642 ,C647 ,C648 ,C651 ,C652 ,CC09 ,CC10	7
0111-3222-5124	C/M Multi. 2200PF 50V Z5U 1206 CB08	1
0111-3224-5124	C/M Multi. 0.22uF 50V Z5U 1206 CB02 ,CB03 ,CB06 ,CC15 ,CC16	5

PART NO	DESCRIPTION	QTY
0111-3270-5104	C/M Multi. 270PF 50V NPO 1206 CB20	1
0111-3272-5101	C/M Multi. 2700PF 50V NPO F CB27	1
0111-3470-5104	C/M Multi. 47PF 50V NPO 1206 C637 ,CB21	2
0111-3820-5104	C/M Multi. 82pF 50V NPO 1206 C611 ,C621 ,C622 ,C623 ,CB16 ,CC21	6
0120-2102-0531	P/C PEN 0.001uF 50V J F-K C204 ,C303	2
0120-2102-1031	P/C PEN 0.001uF 100V J F-K C236	1
0120-2332-0531	P/C PEN 0.0033uF 50V J F-K C502	1
0120-3154-2531	P/C PPN 0.15uF 250V J F-K C226	1
0120-3334-2531	P/C PPN 0.33uF 250V J F-K C225	1
0120-3394-2531	P/C PPN 0.39uF 250V J F-K C222	1
0120-3472-6331	P/C PPN 0.0047uF 630V J F-K C635	1
0120-3684-2531	P/C PPN 0.68uF 250V J F-K C224	1
0120-4182-9031	P/C PPS 0.0018uF 1KV J F-K C313	1
0120-4682-9131	P/C PPS 0.0068uF 1.6KV J F-K C217	1

PART NO	DESCRIPTION	QTY
0120-5103-0531	P/C MEF 0.01uF 50V J F-K C317 ,CA06 ,CA17 ,CA19 ,CA20 ,CA23 ,CA39	7
0120-5104-1031	P/C MEF 0.1uF 100V J F C407 ,C408 ,C413	3
0120-5104-2531	P/C MEF 0.1uF 250V J F-K C627 ,C629 ,C630 ,C631 ,C634	5
0120-5224-2531	P/C MEF 0.22uF 250V J F-K C321	1
0120-6103-2531	P/C MPP 0.01uF 250V J F-K CA09	1
0120-6225-2531	P/C MPP 2.2uF 250V J F-K C312	1
0120-6334-1031	P/C MPP 0.33uF 100V J F-K C402	1
0120-9155-4031	P/C MPS 1.5uF 400V J F-K C223	1
0120-9473-6331	P/C MPS 0.047uF 630V J F-K CA47	1
0122-0474-2522	P/C X2 0.47uF 250V M B CA01	1
0122-1222-4000	D/C Y 2200PF 400V M N-F CA02 ,CA03	2
0122-1472-4000	D/C Y 4700PF 400V M N-F CA24 ,CA25	2
0130-1000-1450	RES. CF 100ohm 1/4W J A R343 ,RA47	2
0130-1000-1850	RES. CF 100ohm 1/8W J A R207 ,R235 ,R245 ,R256 ,R344 ,RD01 ,RD02	7

PART NO	DESCRIPTION	QTY
0130-1000-1859	RES. CF 100ohm 1/8W J 1206 R609 ,R610 ,R632 ,R633 ,R634 ,R635 ,R636 R637 ,R659 ,RB01 ,RB04 ,RB64 ,RB65 ,RC07 RC08 ,RC31 ,RC32 ,RC33 ,RC35 ,RC53	20
0130-1001-1250	RES. CF 1.0Kohm 1/2W J A R666	1
0130-1001-1450	RES. CF 1.0Kohm 1/4W J A RA09 ,RA17	2
0130-1001-1850	RES. CF 1.0Kohm 1/8W J A R218 ,R227 ,R229 ,R232 ,R313 ,R323 ,R329 R330 ,R353 ,R360 ,R419 ,R433 ,R458 ,R472 R506 ,R514 ,R515 ,RA05 ,RA30 ,RA32 ,RD04	21
0130-1001-1859	RES. CF 1.0Kohm 1/8W J 1206 R629 ,R630 ,R631 ,RB03 ,RB16 ,RB17 ,RB24 RC37 ,RC38 ,RC55 ,RC59 ,RC60	12
0130-1002-1450	RES. CF 10Kohm 1/4W J A R321 ,RA14 ,RA20	3
0130-1002-1850	RES. CF 10Kohm 1/8W J A R202 ,R211 ,R231 ,R234 ,R270 ,R273 ,R274 R276 ,R278 ,R280 ,R283 ,R284 ,R285 ,R288 R302 ,R402 ,R414 ,R434 ,R439 ,R453 ,R454 R459 ,R465 ,R512 ,RA06 ,RA08 ,RA15 ,RA42 RA43 ,RA61 ,RD03	31
0130-1002-1859	RES. CF 10Kohm 1/8W J 1206 R648 ,R652 ,R656 ,R679 ,RB26 ,RB29 ,RB38 RB44 ,RB63 ,RB70 ,RC03 ,RC10 ,RC39 ,RC40 RC43 ,RC44 ,RC47 ,RC48 ,RC52 ,RC56 ,RC58 RC61	22
0130-1003-1250	RES. CF 100Kohm 1/2W J A R667	1
0130-1003-1450	RES. CF 100Kohm 1/4W J A RA13	1

PART NO	DESCRIPTION	QTY
0130-1202-1859	RES. CF 12Kohm 1/8W J 1206 RB22	1
0130-1203-1850	RES. CF 120Kohm 1/8W J A R306 ,R553	2
0130-1303-1850	RES. CF 130Kohm 1/8W J A R538 ,R542 ,R556	3
0130-1500-1850	RES. CF 150ohm 1/8W J A RD05 ,RD06	2
0130-1500-1859	RES. CF 150ohm 1/8W J 1206 RB09 ,RC18	2
0130-1501-1850	RES. CF 1.5Kohm 1/8W J A R269 ,R355	2
0130-1502-1850	RES. CF 15Kohm 1/8W J A R432	1
0130-1502-1859	RES. CF 15Kohm 1/8W J 1206 RB08 ,RC04	2
0130-1503-1850	RES. CF 150Kohm 1/8W J A R438	1
0130-1508-1859	RES. CF 1.5ohm 1/8W J 1206 R686	1
0130-1801-1850	RES. CF 1.8Kohm 1/8W J A R325 ,R516	2
0130-1802-1850	RES. CF 18Kohm 1/8W J A R203 ,R303	2
0130-1803-1250	RES. CF 180Kohm 1/2W J A RA25 ,RA26	2
0130-1803-1450	RES. CF 180Kohm 1/4W J A R320 ,R535 ,R641 ,R642 ,R643	5

PART NO	DESCRIPTION	QTY
0130-1803-1859	RES. CF 180Kohm 1/8W J 1206 R647 ,R651 ,R655	3
0130-1804-1850	RES. CF 1.8Mohm 1/8W J A R327	1
0130-1809-1850	RES. CF 18ohm 1/8W J A R503	1
0130-2000-1250	RES. CF 200ohm 1/2W J A L601	1
0130-2000-1450	RES. CF 200ohm 1/4W J A RA35 ,RA64	2
0130-2001-1850	RES. CF 2.0Kohm 1/8W J A R236 ,R281 ,R357 ,R466	4
0130-2002-1450	RES. CF 20Kohm 1/4W J A R518	1
0130-2002-1850	RES. CF 20Kohm 1/8W J A RA63	1
0130-2002-1859	RES. CF 20Kohm 1/8W J 1206 R670 ,RB35 ,RB36 ,RC11 ,RC12 ,RC13	6
0130-2003-1850	RES. CF 200Kohm 1/8W J A R462	1
0130-2009-1450	RES. CF 20ohm 1/4W J A RA24	1
0130-2200-1250	RES. CF 220ohm 1/2W J A RA49 ,RA50	2
0130-2200-1859	RES. CF 220ohm 1/8W J 1206 RC05 ,RC06	2

PART NO	DESCRIPTION	QTY
0130-2201-1450	RES. CF 2.2Kohm 1/4W J A R230 ,R290 ,R351	3
0130-2201-1850	RES. CF 2.2Kohm 1/8W J A R212 ,R264 ,R265 ,R266 ,R267 ,R286 ,R287 R307 ,R310 ,R317 ,R326 ,R417 ,R446 ,R501 R502 ,R504	16
0130-2201-1859	RES. CF 2.2Kohm 1/8W J 1206 R612 ,R613 ,R668 ,R669 ,R673 ,R674 ,R675 R676 ,R680 ,R681 ,RB62 ,RC09 ,RC15 ,RC16 RC19 ,RC20 ,RC21 ,RC23 ,RC24 ,RC25 ,RC26 RC27 ,RC28	23
0130-2202-1450	RES. CF 22Kohm 1/4W J A R260 ,R261 ,R262 ,R263 ,R292	5
0130-2202-1850	RES. CF 22Kohm 1/8W J A R210 ,R233 ,R358 ,R435 ,R455 ,RA41	6
0130-2202-1859	RES. CF 22Kohm 1/8W J 1206 RB23	1
0130-2204-1850	RES. CF 2.2Mohm 1/8W J A J059 ,R460	2
0130-2208-1450	RES. CF 2.2ohm 1/4W J A R415	1
0130-2209-1450	RES. CF 22ohm 1/4W J A RB34	1
0130-2209-1850	RES. CF 22ohm 1/8W J A RA19 ,RA62	2
0130-2209-1859	RES. CF 22ohm 1/8W J 1206 RB20	1
0130-2400-1859	RES. CF 240ohm 1/8W J 1206 R663	1

PART NO	DESCRIPTION	QTY
0130-2401-1850	RES. CF 2.4Kohm 1/8W J A R545	1
0130-2402-1850	RES. CF 24Kohm 1/8W J A R359	1
0130-2402-1859	RES. CF 24Kohm 1/8W J 1206 RC49	1
0130-2701-1850	RES. CF 2.7Kohm 1/8W J A R315	1
0130-2702-1850	RES. CF 27Kohm 1/8W J A R471	1
0130-2702-1859	RES. CF 27Kohm 1/8W J 1206 RB31	1
0130-2709-1450	RES. CF 27ohm 1/4W J A R253	1
0130-3001-1850	RES. CF 3.0Kohm 1/8W J A R430 ,R524 ,R527	3
0130-3002-1859	RES. CF 30Kohm 1/8W J 1206 RB43 ,RB46 ,RC67	3
0130-3003-1250	RES. CF 300Kohm 1/2W J A R523	1
0130-3300-1250	RES. CF 330ohm 1/2W J A R416	1
0130-3300-1850	RES. CF 330ohm 1/8W J A R238 ,R362 ,RD07 ,RD08 ,RD09	5
0130-3300-1859	RES. CF 330ohm 1/8W J 1206 R616 ,R626 ,R627 ,R628 ,RC29 ,RC30 ,RC36	8
0130-3300-1859	RES. CF 330ohm 1/8W J 1206 RC63	1

PART NO	DESCRIPTION	QTY
0130-3301-1450	RES. CF 3.3Kohm 1/4W J A R322 ,R345 ,R539	3
0130-3301-1850	RES. CF 3.3Kohm 1/8W J A R239 ,R272 ,R444 ,R468	4
0130-3301-1859	RES. CF 3.3Kohm 1/8W J 1206 R611 ,R660 ,R678 ,R682 ,R683 ,R684 ,RB47	7
0130-3302-1850	RES. CF 33Kohm 1/8W J A R429 ,R445 ,R449 ,R507 ,R529	5
0130-3302-1859	RES. CF 33Kohm 1/8W J 1206 RB06 ,RC50	2
0130-3304-1850	RES. CF 3.3Mohm 1/8W J A R427	1
0130-3309-1850	RES. CF 33ohm 1/8W J A R519	1
0130-3309-1859	RES. CF 33ohm 1/8W J 1206 R604 ,R605 ,R606 ,R607 ,R608 ,R620 ,R621 R622 ,R638 ,R639 ,R640	11
0130-3603-1250	RES. CF 360Kohm 1/2W J A RA44 ,RA46	2
0130-3603-1850	RES. CF 360Kohm 1/8W J A R222	1
0130-3900-1850	RES. CF 390ohm 1/8W J A RA07	1
0130-3900-1859	RES. CF 390ohm 1/8W J 1206 R617 ,R618 ,R619	3
0130-3902-1250	RES. CF 39Kohm 1/2W J A R294	1

PART NO	DESCRIPTION	QTY
0130-3902-1859	RES. CF 39Kohm 1/8W J 1206 RB11	1
0130-3904-1850	RES. CF 3.9Mohm 1/8W J A R223 ,R525	2
0130-4300-1859	RES. CF 430ohm 1/8W J 1206 RC62	1
0130-4700-1250	RES. CF 470ohm 1/2W J A R251	1
0130-4700-1450	RES. CF 470ohm 1/4W J A R319 ,R354	2
0130-4700-1850	RES. CF 470ohm 1/8W J A R240	1
0130-4700-1859	RES. CF 470ohm 1/8W J 1206 R623 ,R624 ,R625 ,R661 ,RB12 ,RB13 ,RB14 RB15 ,RB45	9
0130-4701-1450	RES. CF 4.7Kohm 1/4W J A R209 ,R335 ,R338	3
0130-4701-1850	RES. CF 4.7Kohm 1/8W J A R220 ,R242 ,R431 ,R442 ,R456	5
0130-4701-1859	RES. CF 4.7Kohm 1/8W J 1206 RB18 ,RB19 ,RB25 ,RB30 ,RB53 ,RB54 ,RC01 RC02 ,RC17 ,RC54 ,RC57	11
0130-4702-1450	RES. CF 47Kohm 1/4W J A R219 ,R534	2
0130-4702-1850	RES. CF 47Kohm 1/8W J A R423 ,R424 ,R425 ,R457 ,R469 ,R509 ,R521 R522 ,R530	
0130-4702-1859	RES. CF 47Kohm 1/8W J 1206 RC41 ,RC42 ,RC64	3

0130-4703-1850	RES. CF 470Kohm 1/8W J A R275 ,R277 ,R279	3
0130-4709-1450	RES. CF 47ohm 1/4W J A R331 ,R336 ,RB21	3
0130-4709-1850	RES. CF 47ohm 1/8W J A R241 ,R517 ,RA10	3
0130-4709-1859	RES. CF 47ohm 1/8W J 1206 R671 ,R672 ,R685 ,RB02 ,RB05 ,RB07 ,RC22	7
0130-5100-1859	RES. CF 510ohm 1/8W J 1206 RB32	1
0130-5101-1850	RES. CF 5.1Kohm 1/8W J A R436 ,R440	2
0130-5600-1250	RES. CF 560ohm 1/2W J A R352	1
0130-5600-1450	RES. CF 560ohm 1/4W J A R614	1
0130-5600-1859	RES. CF 560ohm 1/8W J 1206 R662	1
0130-5601-1850	RES. CF 5.6Kohm 1/8W J A R208 ,R537 ,R543 ,R552 ,R558	5
0130-5602-1850	RES. CF 56Kohm 1/8W J A R508	1
0130-5603-1850	RES. CF 560Kohm 1/8W J A R291 ,R531	2
0130-5603-1859	RES. CF 560Kohm 1/8W J 1206 RC65	1
0130-5608-1859	RES. CF 5.6ohm 1/8W J 1206 RB55 ,RB56	2

PART NO	DESCRIPTION	QTY
0130-6202-1850	RES. CF 62Kohm 1/8W J A R532	1
0130-6202-1859	RES. CF 62Kohm 1/8W J 1206 RB39	1
0130-6209-1250	RES. CF 62ohm 1/2W J A R559	1
0130-6800-1850	RES. CF 680ohm 1/8W J A R505	1
0130-6801-1850	RES. CF 6.8Kohm 1/8W J A R533	1
0130-6801-1859	RES. CF 6.8Kohm 1/8W J 1206 RB49	1
0130-6802-1850	RES. CF 68Kohm 1/8W J A RA16	1
0130-6802-1859	RES. CF 68Kohm 1/8W J 1206 RB10	1
0130-6808-1250	RES. CF 6.8ohm 1/2W J A RA48	1
0130-6809-1450	RES. CF 68ohm 1/4W J A RA18	1
0130-7500-1250	RES. CF 750ohm 1/2W J A R293	1
0130-7501-1859	RES. CF 7.5Kohm 1/8W J 1206 R615	1
0130-7502-1450	RES. CF 75Kohm 1/4W J A R217	1
0130-7502-1850	RES. CF 75Kohm 1/8W J A R271 ,R361	2

PART NO	DESCRIPTION	QTY
0130-7509-1254	RES. CF 75ohm 1/2W J R-K R513 ,R544	2
0130-7509-1450	RES. CF 75ohm 1/4W J A R644 ,R645 ,R646	3
0130-7509-1850	RES. CF 75ohm 1/8W J A R467	1
0130-7509-1859	RES. CF 75ohm 1/8W J 1206 R601 ,R602 ,R603 ,R664	4
0130-8201-1859	RES. CF 8.2Kohm 1/8W J 1206 RB48 ,RB61	2
0130-9103-1859	RES. CF 910Kohm 1/8W J 1206 RC45 ,RC46	2
0131-1002-1810	RES. MF 10.0Kohm 1/8W F A R308 ,R408 ,RA51 ,RA58	4
0131-1003-1810	RES. MF 100Kohm 1/8W F A R225 ,R407 ,R412 ,R541 ,R554	5
0131-1003-1819	RES. MF 100Kohm 1/8W F 1206 RB41	1
0131-1212-1810	RES. MF 12.1Kohm 1/8W F A R257 ,R309	2
0131-1212-1819	RES. MF 12.1Kohm 1/8W F 1206 RB40	1
0131-1213-1410	RES. MF 121Kohm 1/4W F A R215	1
0131-1213-1810	RES. MF 121Kohm 1/8W F A R246	1
0131-1213-1819	RES. MF 121Kohm 1/8W F 1206 RB60	1

PART NO	DESCRIPTION	QTY
0131-1503-1810	RES. MF 150Kohm 1/8W F A R247 ,R248 ,R249	3
0131-1621-1819	RES. MF 1.62Kohm 1/8W F 1206 RB37	1
0131-1781-1810	RES. MF 1.78Kohm 1/8W F A R258 ,R332	2
0131-1821-1810	RES. MF 1.82Kohm 1/8W F A R350	1
0131-2002-1810	RES. MF 20.0Kohm 1/8W F A RA54 ,RA55 ,RA59	3
0131-2002-1819	RES. MF 20.0Kohm 1/8W F 1206 RB42	1
0131-2003-1810	RES. MF 200Kohm 1/8W F A R413	1
0131-2212-1819	RES. MF 22.1Kohm 1/8W F 1206 RB33	1
0131-2213-1810	RES. MF 221Kohm 1/8W F A R243	1
0131-2322-1819	RES. MF 23.2Kohm 1/8W F 1206 RC66	1
0131-2430-1810	RES. MF 243ohm 1/8W F A R349	1
0131-2432-1810	RES. MF 24.3Kohm 1/8W F A R224	1
0131-2433-1810	RES. MF 243Kohm 1/8W F A R244	1
0131-2552-1810	RES. MF 25.5Kohm 1/8W F A R403	1

PART NO	DESCRIPTION	QTY
0131-2673-1810	RES. MF 267Kohm 1/8W F A R406	1
0131-2742-1810	RES. MF 27.4Kohm 1/8W F A R259 ,R426	2
0131-3013-1410	RES. MF 301Kohm 1/4W F A RA56	1
0131-3243-1410	RES. MF 324Kohm 1/4W F A RA57	1
0131-3321-1810	RES. MF 3.32Kohm 1/8W F A R409	1
0131-3323-1810	RES. MF 332Kohm 1/8W F A R314	1
0131-3922-1810	RES. MF 39.2Kohm 1/8W F A R346	1
0131-3923-1810	RES. MF 392Kohm 1/8W F A R410	1
0131-4322-1819	RES. MF 43.2Kohm 1/8W F 1206 RB27	1
0131-4751-1810	RES. MF 4.75Kohm 1/8W F A R312 ,R333	2
0131-4752-1810	RES. MF 47.5Kohm 1/8W F A R226	1
0131-4873-1819	RES. MF 487Kohm 1/8W F 1206 RB52	1
0131-5110-1810	RES. MF 511ohm 1/8W F A R311	1
0131-5111-1810	RES. MF 5.11Kohm 1/8W F A R204	1

PART NO	DESCRIPTION	QTY
0131-5113-1810	RES. MF 511Kohm 1/8W F A R328	1
0131-5233-1410	RES. MF 523Kohm 1/4W F A RA60	1
0131-5499-1819	RES. MF 54.9ohm 1/8W F 1206 RB59	1
0131-5622-1810	RES. MF 56.2Kohm 1/8W F A R255	1
0131-5761-1819	RES. MF 5.76Kohm 1/8W F 1206 RB51	1
0131-5762-1819	RES. MF 57.6Kohm 1/8W F 1206 RB66	1
0131-6652-1210	RES. MF 66.5Kohm 1/2W F A RA36 ,RA37 ,RA38 ,RA39	4
0131-6810-1810	RES. MF 681ohm 1/8W F A R316	1
0131-6811-1810	RES. MF 6.81Kohm 1/8W F A R305	1
0131-6811-1819	RES. MF 6.81Kohm 1/8W F 1206 RB28	1
0131-8252-1810	RES. MF 82.5Kohm 1/8W F A R347 ,R411	2
0131-8660-1410	RES. MF 866ohm 1/4W F A RA40	1
0131-9091-1810	RES. MF 9.09Kohm 1/8W F A R216	1
0131-9092-1810	RES. MF 90.9Kohm 1/8W F A R221 ,R405	2

PART NO	DESCRIPTION	QTY
0131-9092-1819	RES. MF 90.9Kohm 1/8W F 1206 RB58	1
0132-0688-0252	RES. MOF 0.68ohm 2W J A-FK R252	1
0132-1008-0252	RES. MOF 1ohm 2W J A-FK R420	1
0132-1009-0252	RES. MOF 10ohm 2W J A-FK R250	1
0132-1203-0154	RES. MOF 120Kohm 1W J R-K RA28	1
0132-1501-0252	RES. MOF 1.5Kohm 2W J A-FK RA31	1
0132-1509-0252	RES. MOF 15ohm 2W J A-FK R254	1
0132-2708-0252	RES. MOF 2.7ohm 2W J A-FK R348	1
0132-4702-0154	RES. MOF 47Kohm 1W J R-K RA45	1
0132-6809-0252	RES. MOF 68ohm 2W J A-FK R421	1
0132-7500-0252	RES. MOF 750ohm 2W J A-FK RA33	1
0133-2200-0152	RES. MOF(M) 220ohm 1W J A-FK R289	1
0133-2208-0152	RES. MOF(M) 2.2ohm 1W J A-FK R213 ,R214 ,R337	3
0133-3302-0552	RES. MOF(M) 33Kohm 5W J A-FK R334	1

PART NO	DESCRIPTION	QTY
0134-4708-0152	RES. FUS. 4.7ohm 1W J A-FK R268	1
0135-1000-0551	RES. CEMENT 100ohm 5W J SQM RA27 ,RA29	2
0135-1001-0551	RES. CEMENT 1Kohm 5W J SQM RA22	1
0135-3302-0551	RES. CEMENT 33Kohm 5W J SQM RA23	1
0136-0228-0252	RES. W.W. 0.22ohm 2W J A-FK RA21	1
0151-1013-1101	SVR M/STAND/B 100ohm B 8 VRA01	1
0151-1023-1001	SVR M/STAND/B 1Kohm B 6 VR302 ,VR404 ,VR501 ,VR502 ,VR503 ,VR504	6
0151-1033-1001	SVR M/STAND/B 10Kohm B 6 SVR601 ,SVR602 ,SVR603 ,SVR604 ,VR406 ,VR407	6
0151-1043-1001	SVR M/STAND/B 100Kohm B 6 VR402	1
0151-2023-1001	SVR M/STAND/B 2Kohm B 6 VR201 ,VR202 ,VR301 ,VR401 ,VR408	5
0151-5013-1001	SVR M/STAND/B 500ohm B 6 VR303	1
0151-5023-1001	SVR M/STAND/B 5Kohm B 6 VR405	1
0151-5033-1001	SVR M/STAND/B 50Kohm B 6 SVR605 ,SVR606 ,SVR607 ,VR403	4
0152-1011-1501	SVR W/LAYER/B 100ohm B 19 VR203	1

PART NO	DESCRIPTION	QTY
0160-5094-0920	THERMISTOR 5ohm 4A THA01	1
0161-1402-5020	POSISTOR 14ohm 25A 2P THA02	1
0170-1740-0003	PCB DISPLAY BD Vo 1.6t S PCB5	1
0172-2141-0003	PCB CONTROL BD K3 1.0t D PCB4	1
0172-2941-0004	PCB CRT BD K3 1.6t D PCB3	1
0174-2040-0005	PCB POWER BD K1 1.6t S PCB2	1
0174-2240-0005	PCB MAIN BD K1 1.6t S PCB1	1
0181-4402-5200	FUSE T-L 250V 4A 5*20mm FA01	1
0190-0000-0010	FUSE CLIP 5*20mm FA011	2
0201-2540-8000	IC SOCKET 2.54mm 8PIN CNC02	1
0201-2544-0000	IC SOCKET 2.54mm 40PIN CNC01	1
0203-2540-8011	MINI DIN 2.54mm 8PIN WC06	1
0210-0170-0155	CRT 17" PT770 ASCR01	1
0220-7020-0167	SW TACTILE 6*6mm 4P SWD01 ,SWD02 ,SWD03 ,SWD04	4

PART NO	DESCRIPTION	QTY
0220-8020-0160	SW ROCKER 250V 2P SWA01	1
0230-1009-0000	JUMPER WIRE 10*0.6mm BDC01 ,J001 ,J003 ,J005 ,J006 ,J010 ,J012 J014 ,J015 ,J018 ,J019 ,J022 ,J026 ,J028 J031 ,J033 ,J034 ,J052 ,J057 ,J072 ,J079 J080 ,J083 ,J084 ,J105 ,J118 ,J119 ,J127 J132 ,J149 ,J150 ,J154 ,J158 ,J165 ,J166 J168 ,J171 ,J172 ,J176 ,J181 ,J186 ,J192 J198 ,JA02 ,JA03 ,JA12 ,JA13 ,JD01 ,JD02 JD03 ,JD04 ,JD05 ,JD06	53
0230-1259-0000	JUMPER WIRE 12.5*0.6mm J046 ,J049 ,J088 ,J089 ,J094 ,J096 ,J110 J111 ,J112 ,J117 ,J160 ,J169 ,J170 ,J177 J191 ,J196 ,JA04 ,JA22	18
0230-1509-0000	JUMPER WIRE 15*0.6mm D218 ,J013 ,J016 ,J017 ,J024 ,J025 ,J037 J038 ,J039 ,J040 ,J041 ,J043 ,J045 ,J060 J063 ,J065 ,J071 ,J074 ,J075 ,J076 ,J090 J095 ,J100 ,J109 ,J113 ,J114 ,J120 ,J124 J125 ,J126 ,J136 ,J137 ,J146 ,J147 ,J151 J152 ,J153 ,J189 ,J195 ,J197 ,JA06 ,JA07 JA25 ,LA03	44
0230-1759-0000	JUMPER WIRE 17.5*0.6mm J007 ,J027 ,J032 ,J047 ,J048 ,J073 ,J101 J102 ,J116 ,J121 ,J123 ,J141 ,J142 ,J164 J173 ,J174 ,JA05 ,JA10	18

PART NO	DESCRIPTION	QTY
0230-2009-0000	JUMPER WIRE 20*0.6mm J002 ,J020 ,J021 ,J023 ,J029 ,J036 ,J050 J051 ,J064 ,J068 ,J069 ,J070 ,J078 ,J081 J082 ,J085 ,J086 ,J087 ,J091 ,J092 ,J093 J097 ,J104 ,J106 ,J107 ,J108 ,J115 ,J129 J130 ,J131 ,J134 ,J135 ,J139 ,J140 ,J143 J144 ,J145 ,J148 ,J159 ,J161 ,J162 ,J163 J187 ,J194 ,J199 ,JA14 ,JA16	47
0230-2259-0000	JUMPER WIRE 22.5x0.6mm JA01	1
0230-5008-0000	JUMPER WIRE 5.0*0.6mm J055 ,J061 ,J077 ,J193 ,JA21 ,L205	6
0230-5508-0000	JUMPER WIRE 5.5*0.6mm L401 ,LA05 ,LA06	3
0230-7508-0000	JUMPER WIRE 7.5*0.6mm J004 ,J008 ,J009 ,J011 ,J030 ,J035 ,J042 J044 ,J053 ,J054 ,J058 ,J062 ,J066 ,J067 J098 ,J099 ,J103 ,J122 ,J128 ,J133 ,J155 J156 ,J157 ,J167 ,J175 ,J178 ,J179 ,J180 J182 ,J183 ,J184 ,J185 ,J188 ,J190 ,JA09 JA15 ,LD01	37
0252-1250-2012	RALAY 2POLES 250V/5A/12Vdc ST RLA01	1
0260-0000-0023	LINE FILTER SOCKET ID-0342-S ASCH11	1
0261-0000-0021	CRT SOCKET 17" PT770 Ver1 W604	1
0270-0001-2220	SPARK GAP 1.2KV-A SG604	1
0270-0002-0100	SPARK GAP 200V T SG601 ,SG602 ,SG603	3

PART NO	DESCRIPTION	QTY
0280-0400-0013	X'TAL 4MHz XTAC01	1
0280-1100-0013	X'TAL 11.0592MHz XR601	1
0300-1210-2150	D-SUB Female 180' 15P 2ROW CNB02	1
0300-1210-3150	D-SUB Female 180' 15P 3ROW CNB01	1
0320-4000-0010	POWER CORD 6ft 110V UL/CSA AL PC01	1
0321-0100-0010	S.CABLE 1500mm 15(3R)-15(3R) SG01	1
0330-1700-0141	DEGUSSING 17" 18ohm VER.1 ASBZ04	1
0333-1700-0130	PURITY COIL 17" ASCR03	
0340-3390-0501	PEAKING COIL 3.3uH 1/2w J A-T L602 ,L603	2
0350-0200-0020	X'FMR EE4215 330uH 6.2A TA02	1
0350-0400-0010	X'F MR EEL19 20mH TA04	1
0351-0100-0010	X'FMR DRIVE EI22 300:30TS T501	1
0351-0100-0020	X'FMR EI22 2mH-81uH T202	1
0351-0200-0010	X'FMR EE19 2.4mH-2.4mH T201 ,T301	2

PART NO	DESCRIPTION	QTY
0352-0200-0010	LINE FILTER BF-28 15mH-15mH TA01	1
0353-0600-0010	X'FMR SYNC UU10.5 1.75-1.75mH TA03	1
0354-0100-0010	X'FMR H-CEN EI25 3.5mH L202	1
0360-1000-0010	RING CORE L:250uH 4A LA01 ,LA02	2
0361-1000-0010	DRUM CORE L:60uH 1A(9*12) LA04	1
0361-1000-0020	DRUM CORE L:2mH 0.5A(10*16) L204	1
0369-0100-0010	CHOKER COIL EI25 4.5mH L301	1
0369-0100-0030	CHOKER COIL EI30 1.0mH 1A L201	1
0370-0000-0110	FERRITE CORE 12.7*12.7*7.87 FG01	1
0370-0000-0210	BEAD CORE RH 3.5*8*1.0mm LA07	1
0381-0000-0010	LINEARITY COIL 24uH 6A L203	1
0390-1000-1040	BRIDGE DIODE KBL08 BDA01	1
0390-2000-1190	DAMPER DIODE DD54R N-F D207	1

PART NO	DESCRIPTION	QTY
0390-3000-1012	FAST DIODE 10DF2 T D210 ,D211 ,D212 ,D312 ,D314 ,D403 ,D615 DA21 ,DA24	9
0390-3000-2012	FAST DIODE 15DF4 T D307	1
0390-3000-3012	FAST DIODE 31DF4 T D206 ,D304	2
0390-3000-4022	FAST DIODE BA159 T DA05 ,DA06 ,DA20	3
0390-3000-5012	FAST DIODE 30DF2 T DA14 ,DA15 ,DA16	3
0390-3001-3052	FAST DIODE BY269 T D217	1
0390-3001-4022	FAST DIODE FUF 5407 T DA12 ,DA13	2
0390-5000-1052	GEN. DIODE 1N4148 T D201 ,D202 ,D203 ,D204 ,D205 ,D209 ,D213 D214 ,D215 ,D216 ,D301 ,D302 ,D305 ,D306 D308 ,D309 ,D311 ,D313 ,D315 ,D401 ,D402 D404 ,D405 ,D501 ,D502 ,D503 ,D602 ,D603 D604 ,D605 ,D606 ,D607 ,D608 ,D609 ,D610 D611 ,D612 ,D613 ,D614 ,D616 ,D617 ,DA07 DA08 ,DA09 ,DA10 ,DA11 ,DA17 ,DA18 ,DA19 DA23 ,DD01 ,DD02 ,DD03 ,DD04	54
0390-5000-1053	GEN. DIODE 1N4148 SMD DB01 ,DB02 ,DB03 ,DB04 ,DB05 ,DB06 ,DB07 DB08 ,DB15 ,DC02 ,DC03 ,DC04 ,DC05 ,DC06 DC07 ,DC08 ,DC09 ,DC10 ,DC11 ,DC12 ,DC13	21
0390-5000-2022	GEN. DIODE 1N4007F T DA01	1

PART NO	DESCRIPTION	QTY
0390-5000-3022	GEN. DIODE 1N4002F T DA02 ,DA22 ,DA25	3
0390-6000-1012	SHOCKTEY DIODE 11DQ06 T D208	1
0400-0381-2000	ZENER 4B2 3.8-4.0V 1/2W ZD401	1
0400-0491-2000	ZENER 5C1 4.9-5.1V 1/2W ZDA02	1
0400-0581-2000	ZNDER 6C1 5.8-6.1V 1/2W ZD601 ,ZD603 ,ZDC01 ,ZDC02	4
0400-0691-2000	ZENER 7B2 6.9-7.2V 1/2W ZD304 ,ZD402 ,ZDC03	3
0400-0891-2000	ZNDER 9C1 8.9-9.3V 1/2W ZD602	1
0400-1191-2000	ZENER 12A2 11.9-12.4V 1/2W ZD202 ,ZD302	2
0400-1261-2000	ZENER 12B2 12.6-13.1V 1/2W ZD204 ,ZD205 ,ZD301 ,ZDC04	4
0400-1751-2000	ZENER 18-2 17.5-18.3V 1/2W ZD303 ,ZDA01	2
0410-0000-1109	TRANSISTOR 2SA733P TO-92 Q219 ,Q227 ,Q308 ,Q501 ,Q504 ,Q602 ,Q603 Q604 ,Q605 ,Q606 ,Q607.	11
0410-0000-2106	TRANSISTOR 2SA673AC TO-92 Q202 ,Q203 ,Q211 ,Q222 ,Q224 ,Q302 ,Q510 Q512 ,Q518 ,Q520 ,QA09	11
0410-1000-1306	TRANSISTOR 2SB649AC TO-126 Q213 ,Q402 ,Q506	3

PART NO	DESCRIPTION	QTY
0410-1000-2406	TRANSISTOR 2SB857 TO-220 QA05 ,QA06	2
0410-2000-1109	TRANSISTOR 2SC945P TO-92 Q218 ,Q220 ,Q221 ,Q223 ,Q226 ,Q307 ,Q309 Q313 ,Q403 ,Q404 ,Q405 ,Q406 ,Q407 ,Q502 Q503 ,Q513 ,Q601	17
0410-2000-2511	TRANSISTOR BU2525AF TO-3P Q208	1
0410-2000-3106	TRANSISTOR 2SC1213AC TO-92 Q201 ,Q210 ,Q301 ,Q509 ,Q511 ,Q517 ,Q519 Q611 ,Q612 ,QA01 ,QA03 ,QA04 ,QA08	13
0410-2000-4914	TRANSISTOR FC104 SMD QB03	1
0410-2000-5406	TRANSISTOR 2SC2979 TO-220 QA07	1
0410-3000-1405	TRANSISTOR 2SD1088 TO-220 Q206	1
0410-3000-2406	TRANSISTOR 2SD1133C TO-220 Q209	1
0410-3000-3306	TRANSISTOR 2SD669AC TO-126 Q311 ,Q401 ,Q507	3
0410-4000-1111	TRANSISTOR BF420 TO-92 Q204 ,Q207 ,Q505 ,Q508	4
0410-4000-2111	TRANSISTOR BF421 TO-92 Q310 ,Q608 ,Q609 ,Q610	4
0410-5000-1610	TRANSISTOR 2N3904 SMD QB01 ,QB02 ,QB04 ,QC02 ,QC03	5
0410-5000-2610	TRANSISTOR 2N3906 SMD QB05 ,QC01	2

PART NO	DESCRIPTION	QTY
0420-1000-1407	POWER MOS IRF630 TO-220 Q205 ,Q212 ,Q216 ,Q217	4
0420-1000-2407	POWER MOS IRF640 TO-220 Q214 ,Q215 ,Q305	3
0420-1000-3509	POWER MOS 2SK1794 TO-3P QA02	1
0420-1000-4508	POWER MOS 2SK727 TO-3P Q306	1
0430-0000-1110	IC MC14094 DIP-16 IC204	1
0430-0000-2010	IC MC14013B SMD-14 ICC07 ,ICC09	2
0430-1000-1004	IC MM74HC00M SMD-14 ICC02	1
0430-1000-2117	IC 93LC66 DIP-8 ICC06	1
0430-1000-3104	IC DM74LS164N DIP-14 ICD01	1
0430-3000-1104	IC LMC555CN DIP-8 IC201 ,IC301	2
0430-4000-1104	IC LM358 DIP-8 IC202 ,IC203 ,IC302 ,IC401	4
0430-4000-2004	IC LM339M SMD-14 ICC08	1
0430-4000-2110	IC LM339N DIP-14 IC205	1
0430-4000-3107	IC TDA1675A DIP-15 IC402	1

PART NO	DESCRIPTION	QTY
0430-4000-4107	IC TDA8145 DIP-8 IC403	1
0430-4000-5107	IC TL084CN DIP-14 IC404 ,IC501 ,ICB02	3
0430-4000-6104	IC LM324N DIP-14 IC502	1
0430-4000-7121	IC UPC1406 DIP-9 IC405	1
0430-4000-8022	IC CXA1616S SDIP-22 ICB01	1
0430-4000-9114	IC LA7851 DIP-20 ICB03	1
0430-4001-0102	IC M62358P DIP-22 ICC03	1
0430-4001-2104	IC LM1205N DIP-28 IC602	1
0430-4001-3107	IC LM393N DIP-8 ICA07	1
0430-4001-4114	IC VPS10 DIP-15 IC603	1
0430-5000-2110	IC AMTRN 17 V1.0 ICC04	1
0430-6000-1207	IC LM317T TO-220 IC303	1
0430-6000-2207	IC LM7905 TO-220 IC304	1
0430-6000-3207	IC LM7805 TO-220 ICC01	1

PART NO	DESCRIPTION	QTY
0430-6000-4310	IC TL431CLP TO-92 ICA06	1
0430-6000-5207	IC LM7812 TO-220 IC601 ,ICA05	2
0430-7000-1107	IC STV9422 SDIP-24 IC604	1
0430-7000-1110	IC 4N35 DIP-6 ICA03	1
0430-7000-2123	IC STR80145A DIP-5 ICA01	1
0430-7000-3107	IC UC3842 DIP-8 ICA02	1
0440-3000-0010	LED L-53YD-12.5 5@ LEDD01 ,LEDD02 ,LEDD03	3
0440-5000-0020	LED L-59GYW 5 LEDD04	1
0451-2000-0203	WAFER 2.00mm 2P 180'Kink W501 ,W502 ,W503	3
0451-2000-0363	WAFER 2.00mm 3P 90' Kink WD02	1
0451-2000-0863	WAFER 2.00mm 8P 90' Kink WC04 ,WD01	2
0451-2000-1163	WAFER 2.00mm 11P 90' Kink W603 ,WC05	2
0451-2500-0313	WAFER 2.50mm 3P 180'Kink W504	1
0451-2500-0613	WAFER 2.50mm 6P 180' Kink WA06	1

PART NO	DESCRIPTION	QTY
0451-2500-0644	WAFER 2.50mm 6P 90' Kink W602 ,WB01	2
0451-2500-0943	WAFER 2.50mm 9P 90' Kink W601	1
0451-2500-1013	WAFER 2.50mm 10P 180' Kink WA05	1
0451-3963-0153	WAFER 3.96mm 3P-1 180' WA02	1
0452-1000-0296	WAFER 10mm 2P W605 ,WA04	2
0452-1080-0496	WAFER 10/8mm 4P W201	1
0459-2540-3073	WAFER 2.54mm 30P 180' W304	1
0460-1003-0010	WH PH3P-2877#26 100mm END01L	1
0460-1008-0010	WH PH8P-PH8P 2651#28 600mm ASCH07	1
0460-1011-0010	WH PH11P-PH11P 2651#28 90mm ASCH08	1
0460-1106-0010	WH XH6P-SCN6P 1007#24 180mm W303	1
0460-1106-0020	WH XH6P-XH6P 1185#26 130mm ASCH05	1
0460-1109-0010	WH XH9P-SCN9P 1007#24 200mm W302	1

PART NO	DESCRIPTION	QTY
0460-1110-0010	WH XH10P-SCN10P 1007#24 250mm W301	1
0460-1203-0020	WH VHR3P-STO187N-8 1617#22 ASCH10	1
0460-1701-0030	WH SRA4.30 1015#18 180mm BK TD GND1	1
0460-1701-0040	WH SRA4.3@ 150mm 1015#18 G/Y ASCH09	1
0460-1701-0050	WH STO-187N-8 100mm 1015#18 BR 5S09	1
0460-2001-0010	WH 1015#18 230mm BLACK T/C G25	1
0460-2001-0030	WH 1007#24 80mm BLUE T/C H001	1
0460-2200-0010	BRAID+SPRING 0.12/120C 60mm ASCR04	1
0460-2202-0030	BRAID 0.12/120C 1015#18 810mm ASCR05	1
0470-0040-0100	ENCODER 2BIT GRAY CODE VER.1 END01	1
0480-0000-0010	F.B.T. 26KV 6000PF VER.1 T302	1

SUBTOTAL : 1,438

PART NO	DESCRIPTION	QTY
1701-0100-0100	BEZEL COVER .PT770 6F01	1
1701-0200-0100	BACK COVER PT770 V775 6B01	1
1701-0300-0100	VR KNOB PCB5N	1
1701-0400-0100	P/S BUTTON 6F02	1
1701-0400-0200	RECALL BUTTON 6F03	1
1701-0400-0300	FUNCTION BUTTON 6F04	1
1701-0500-0100	SWIVEL BALL / PT770 V775 6V01	1
1701-0500-0200	SWIVEL BASE / PT770 V775 6V02	1
1701-0600-0100	DISK /PT770 V775 6V03	1
1701-0600-0200	TRANSISTOR COVER / TR-08 QA07M	1
1701-0700-0100	POWER LENS 6F01M	1
1701-0700-0200	FUNCTION LENS 6F01N	1
1701-0700-0300	V/R LENS 6F01P	1

PART NO	DESCRIPTION	QTY
1701-0800-0100	B/C DECORATIVE PLATE 6B01M	1
1701-0800-0200	CRT SUPPORT PLATE 6S01	2
1701-0800-0300	WIRE MOUNTS FW-2C CR01	1
1701-0900-0100	INSULATOR FOR FBT 5S10	1
1701-1000-0100	PLASTIC FOOT / GL-24H 6B01N	2
1701-1000-0200	BASE FOOT 18.8x5.8t 6V02M	4
1701-1100-0100	SILICON RUBBER/TO-3P3 Q306M ,QA02M	2
1701-1100-0101	SILICON RUBBER/TO-3P QA07N	1
1701-1100-0200	SILICON RUBBER/TO-2203 Q206M	1
1701-1100-0300	CRT RUBBER WASHER 18x8x2.2t 6F01Q	4
1701-1300-0100	TRANSISTOR WASHER/602S Q206N	1
1701-1400-9800	WIRE SADDLE/ YJ98 6S02	6
1701-1402-0300	WIRE SADDLE/ YJ-203S ASBZ05	1
1701-1500-0100	LED HOLDER 3PIN/LED4x3A 5E03	1

PART NO	DESCRIPTION	QTY
1712-0100-0100	CHASSIS BRACKET FRONT 5S01	1
1712-0100-0200	CHASSIS BRACKET RIGHT 5S02	1
1712-0100-0300	CHASSIS BRACKET LEFT 5S03	1
1712-0100-0400	CHASSIS BRACKET REAR 5S04	1
1712-0100-0500	2-15PIN SOCKET BRACKET 5S05	1
1712-0100-0600	SUPPORTER BRACKET LEFT 5S06	1
1712-0100-0700	SUPPORTER BRACKET RIGHT 5S07	1
1712-0100-0800	VR BRACKET PCB5M	1
1712-0100-1300	CRT BOARD BRACKET 5J02M	1
1712-0300-0100	VIDEO HEAT SINK 5J01	1
1712-0300-0200	HEAT SINK FOR IC603 5J04	1
1712-0400-0100	HEAT SINK (12Wx5Tx22H) 5M04	2
1712-0400-0200	HEAT SINK (15Wx11Tx22.0H) 5M05	7
1712-0400-0300	HEAT SINK (32.5Wx17Tx60H) 5M01	1

PART NO	DESCRIPTION	QTY
1712-0400-0400	HEAT SINK (60.5Wx15Tx60H) 5M02	1
1712-0400-0500	HEAT SINK (103Wx15TX60H) 5E02	1
1712-0400-0600	HEAT SINK (105Wx15Tx80H) 5M03	3
1712-0500-0100	CRT BD SHIELDING-A 5J02	1
1712-0500-0200	CRT BD SHIELDING-B 5J03	1
1712-0600-0100	HEAT SINK (4.4Wx22.6Lx35.5H) 5E01	2
1712-0600-0200	COPPER CLAW 5S09	2
1712-0800-0100	LLOCKING CABLE CLIPS / WC-3L 5F01 ,5S08	5
1724-1703-0602	SCREW,PB,M3.0x6L,Zn-Cc 5M02M ,5M04M ,5M05M	10
1724-1703-1002	SCREW,PB,M3.0x10L,Zn-Cc 5E02M ,5M01M ,5M03M	7
1724-1703-1202	SCREW,PB,M3.0x12L,Zn-Cc 7M01	2
1724-2603-0602	SCREW,BTCW M3.0x6L,Zn-Cc 5J02N ,5S09M ,5S10M ,7S01	25
1724-2603-1002	SCREW,BTCW M3.0X10L,Zn-Cc 5F01M ,6S01M ,7F01 ,7S03	15
1724-2603-1402	SCREW,BTCW M3.0x14L.Zn.Cc 5J01M	2

PART NO	DESCRIPTION	QTY
1724-2704-1402	SCREW,BRC,M4.0x14L,Zn-Cc 7B01 ,7F03 ,7V01	13
1724-3504-0802	SCREW,PTAW M4.0x8L,Zn-Cc 7S02	1
1724-3705-2002	SCREW,BPCTW M5.0x20L,Zn-Cc 7F02	4
1730-4217-0152	PW 4.0,4.2dx17Dx1.5t,BsW2 7V02	1
1760-4308-5058	BT 4.0, 4.3d*8.5D*1t,Zn-Cc 7S02M	1
1910-3005-0002	NUT, M3.0x0.5,Zn-Cc 7M01M ,MS04	4
1925-1000-0100	POLYLON F/T-R 1P12	1
1925-1000-0200	POLYLON F/T-L 1P11	1
1925-1000-0300	POLYLON R/T-R 1P14	1
1925-1000-0400	POLYLON R/T-L 1P13	1
1925-1000-0500	POLYLON BOTTOM 1P15	1
1925-1100-0100	PE BAG 900Lx558Wx0.04t 1P21	1
1925-1100-0200	PE BAG 300Lx200Wx0.04t 1P22	1
1925-1200-0100	CARTON 556Lx542Wx530H 1P31	1

PART NO	DESCRIPTION	QTY
1925-1300-0100	USER'S MANUAL PT770 V775 Y001	1
1936-1100-0100	B/C LABEL / PT770 6B01P	1
1936-1200-0100	SHIPPING LABEL PT770 1P51	1
1947-1200-0100	TAPE OPP / L150M 1P41	1
1947-1500-0200	SPONGE FOR CRT BD. 70Lx70Wx40T 6B01Q	1

SUBTOTAL : 176