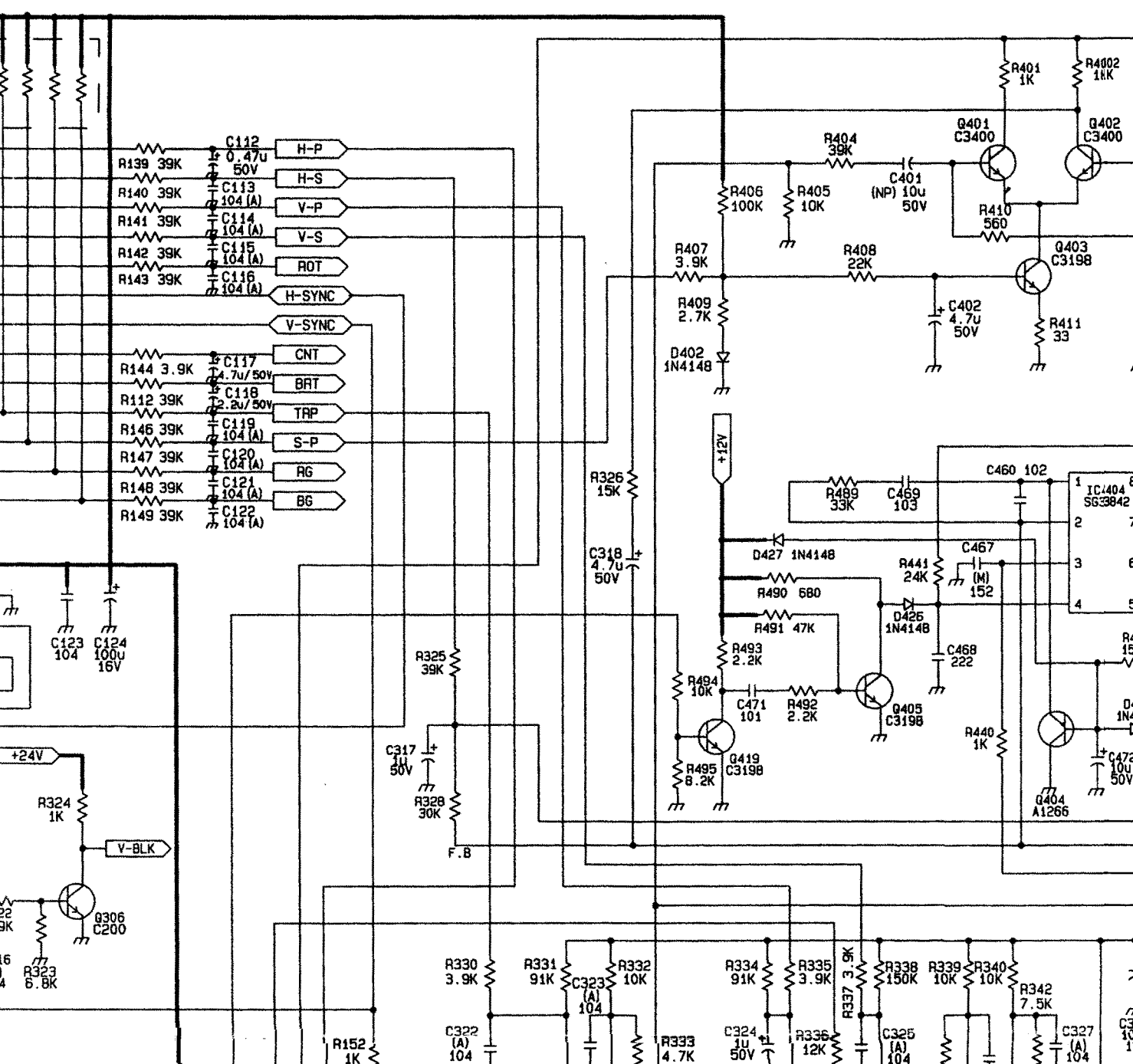
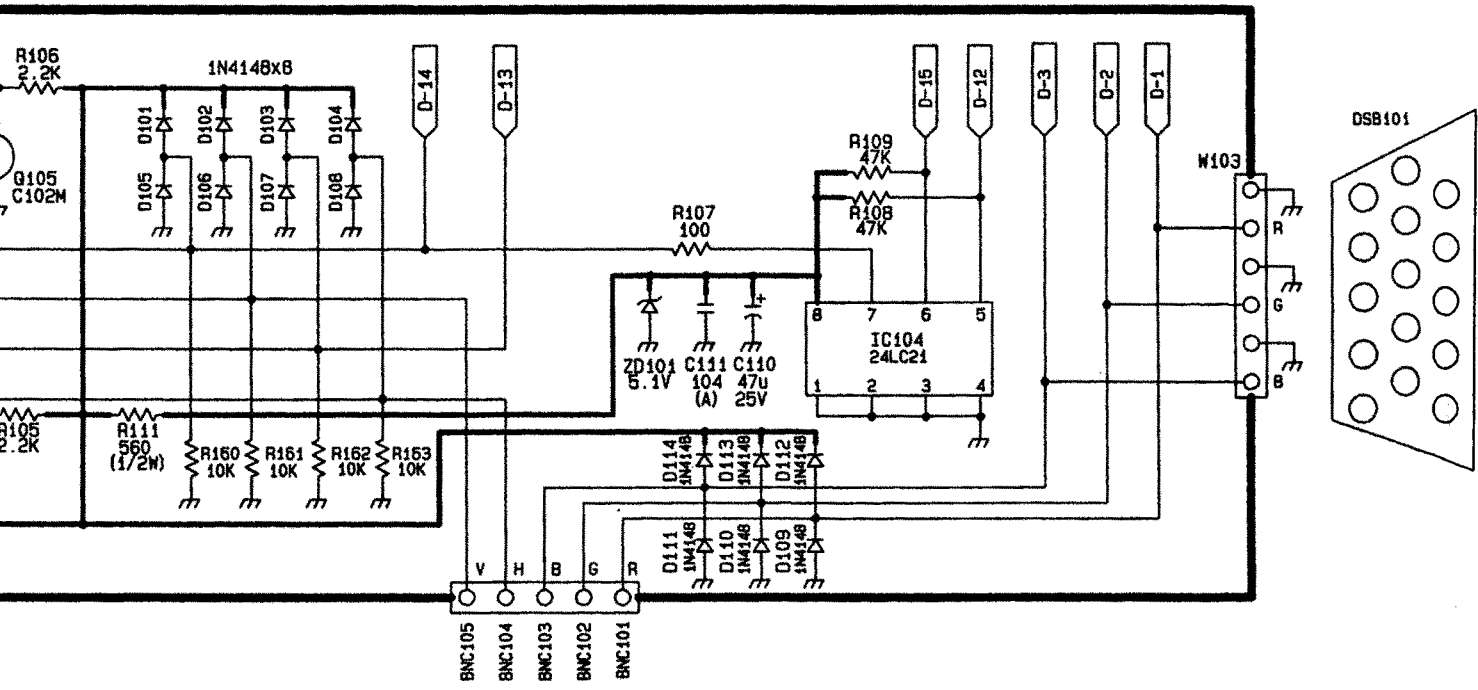
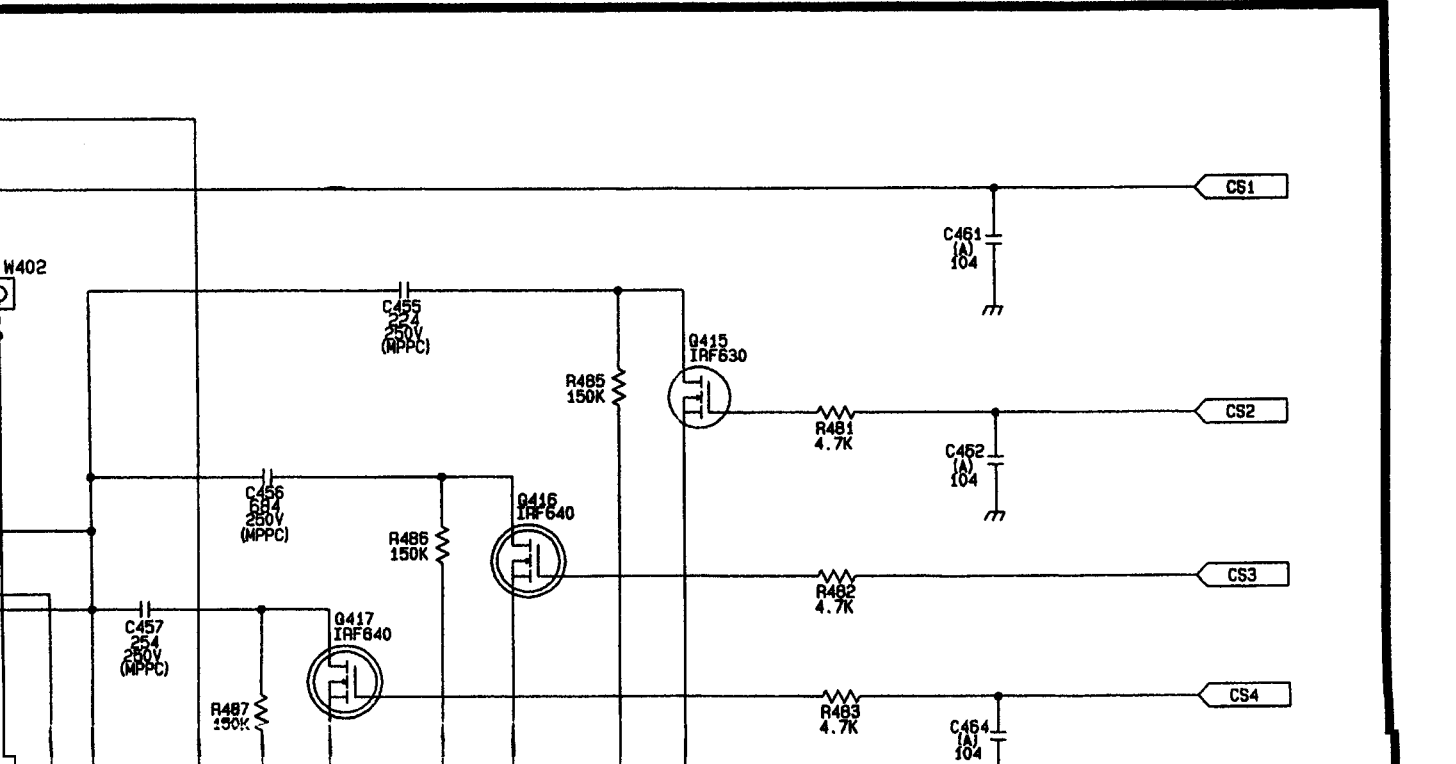
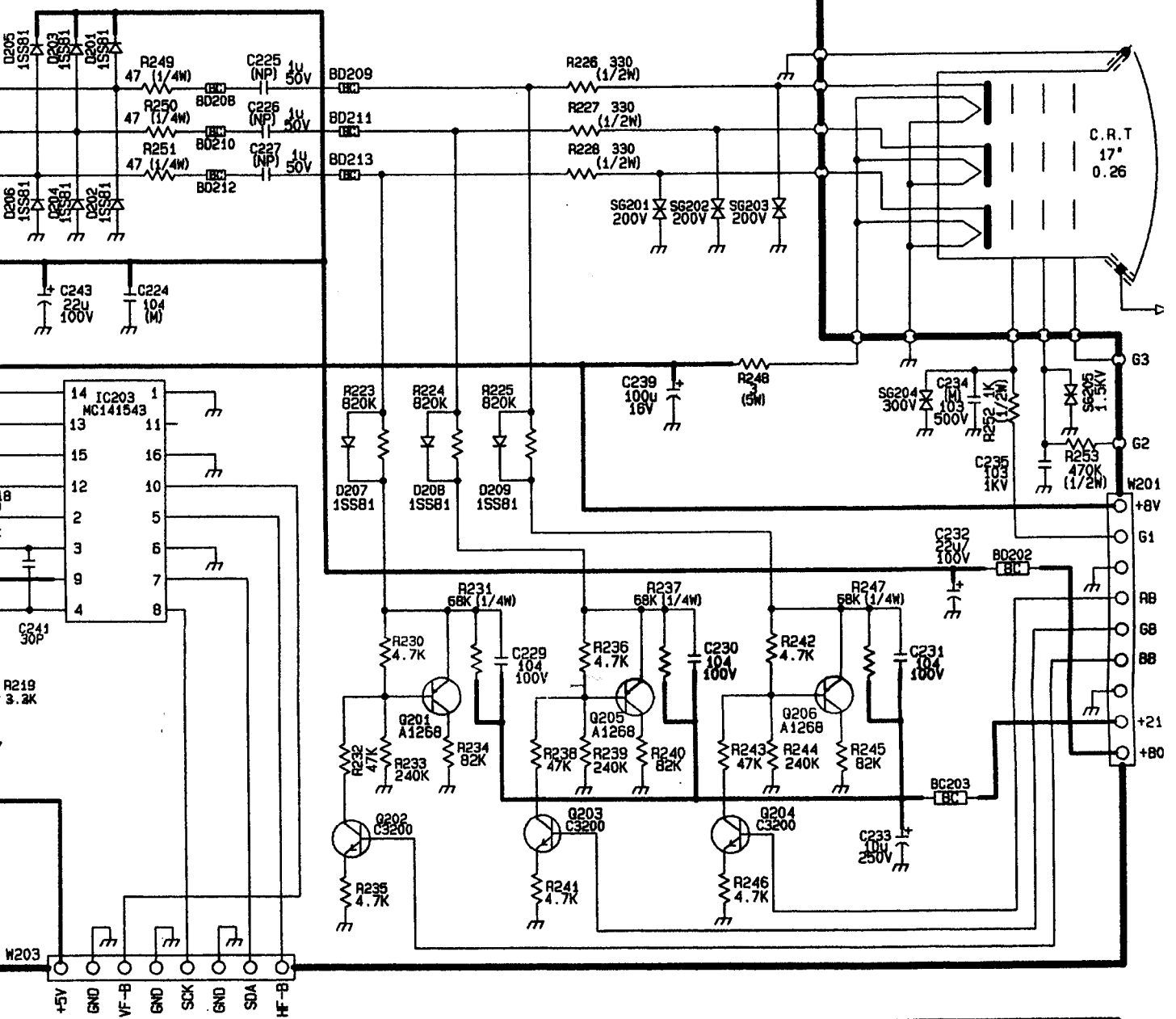
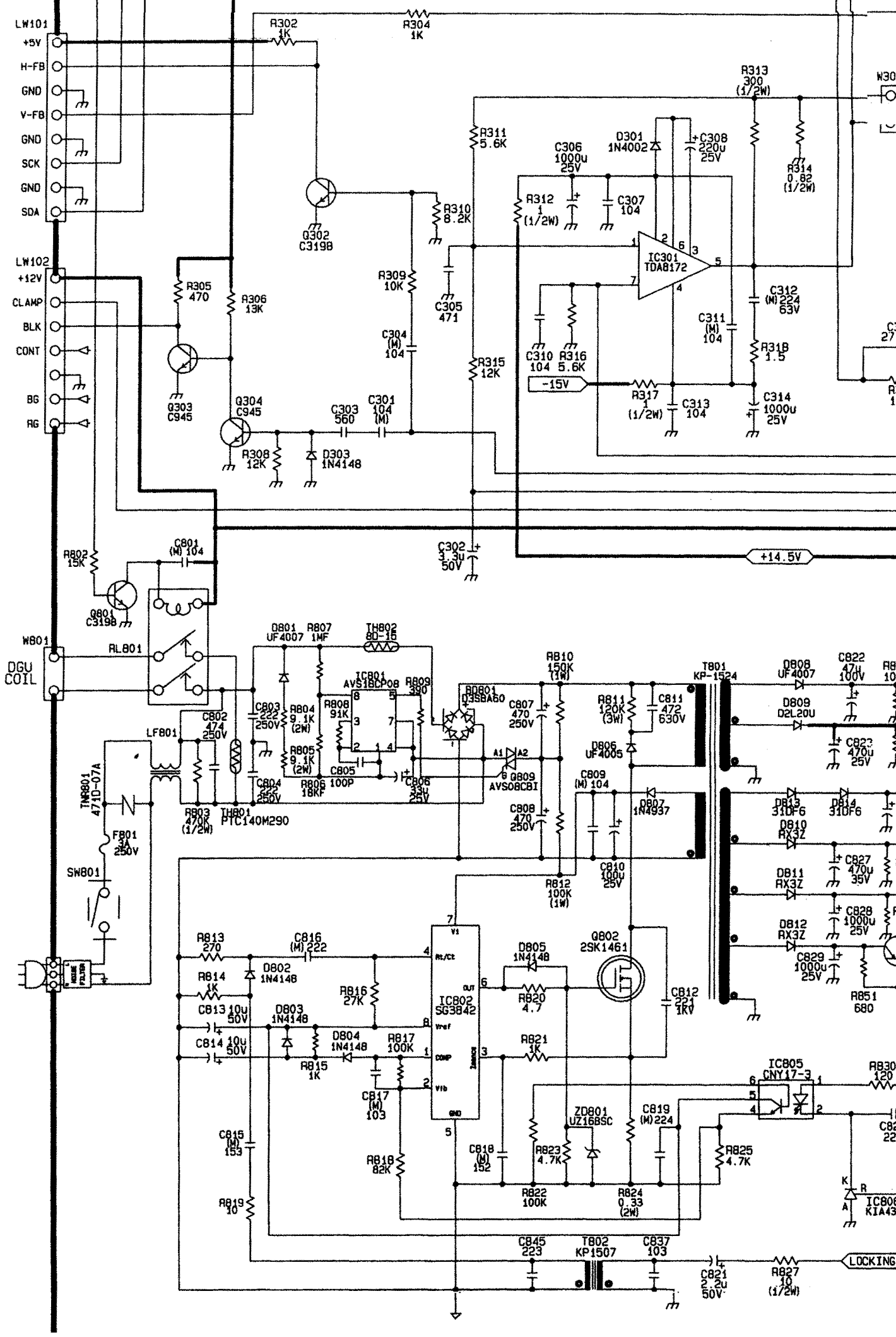
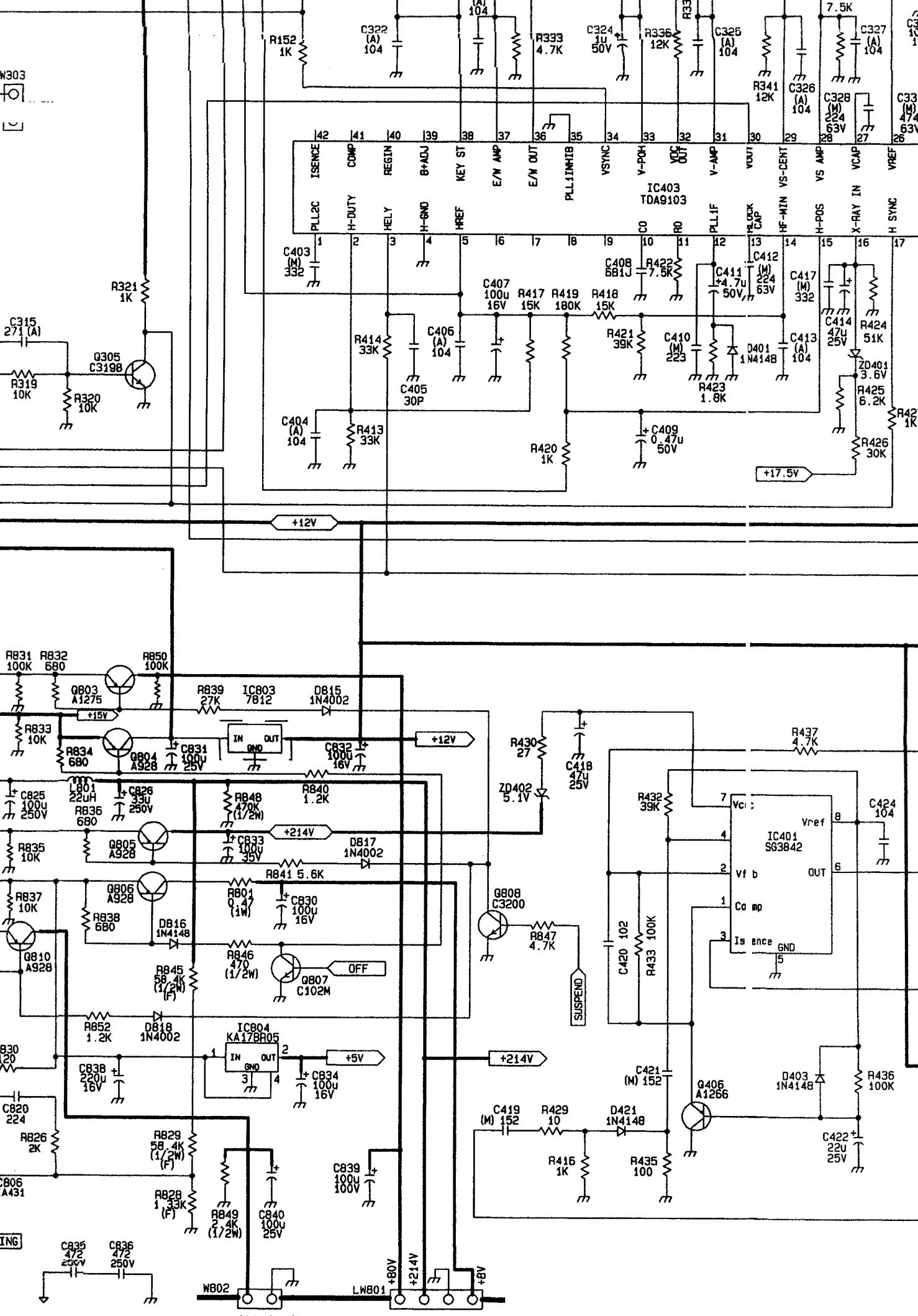


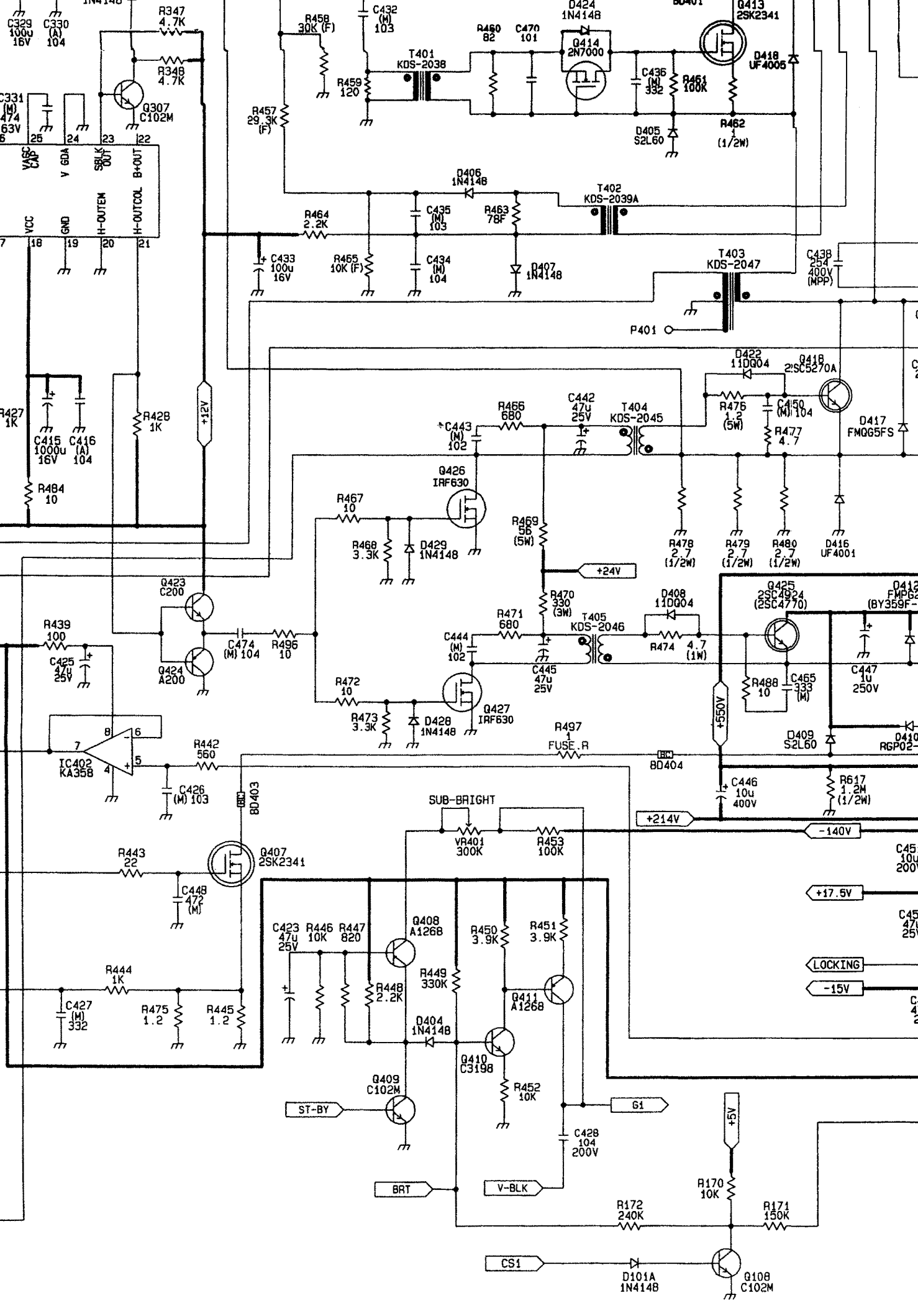
REV. 01.	96/11/19	Refer to revision record document to No.3			
REV. 00.	96/08/28				
REV. NO.	DATE	DESCRIPTION OF CHANGES			
TITLE	MAIN, NECK, BNC	SCALE		DRAWING	DESIGN
MODEL NO.	KD-1750	UNIT			CHECK
DRAWING NO	K-96007	CUSTOMER DRAWING NO.			
KOREA DATA SYSTEMS CO., LTD					

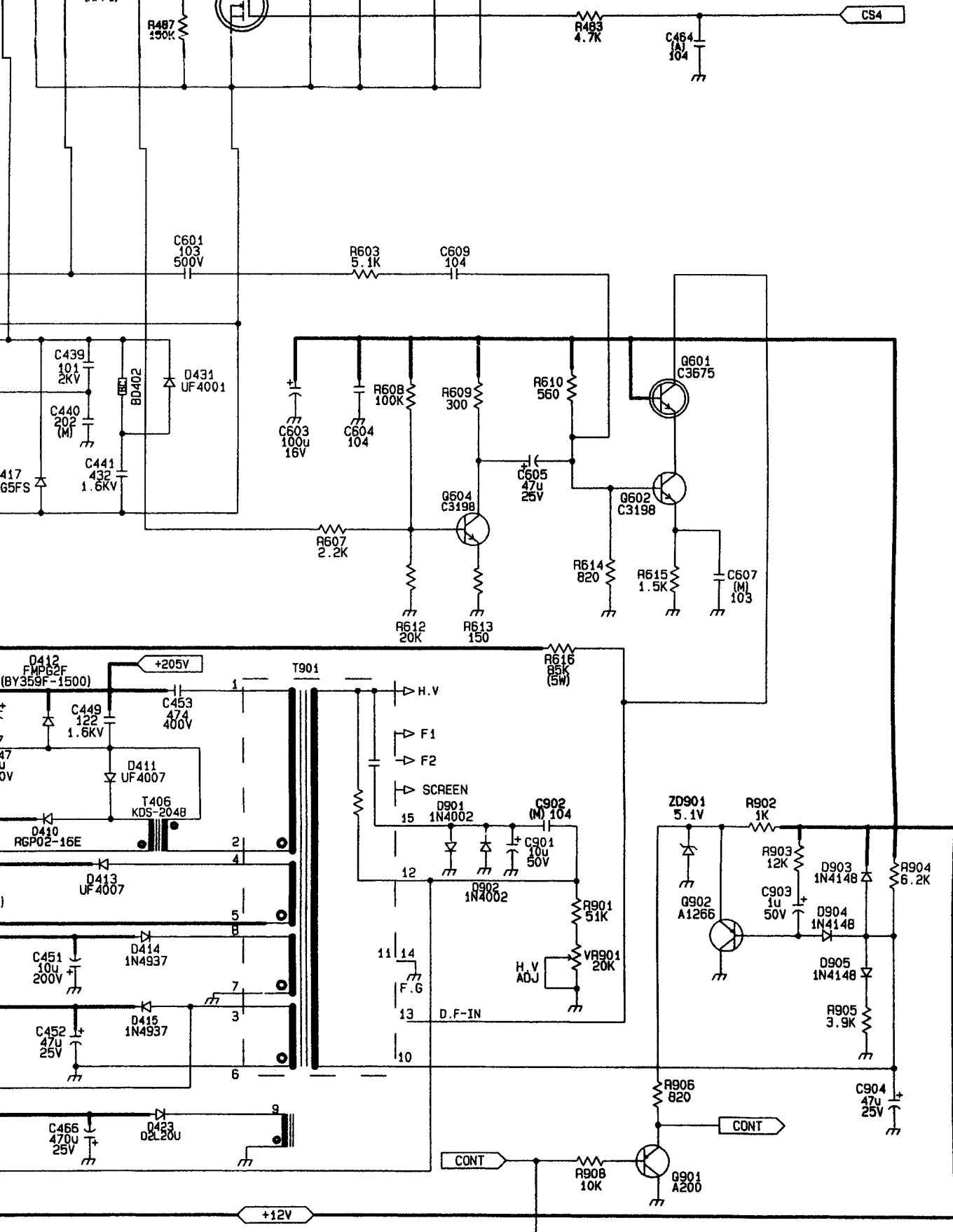












REV. 01.	96/11/19	Refer to revision record document to No.3				
REV. 00.	96/08/28					
REV. NO.	DATE	DESCRIPTION OF CHANGES				
TITLE	MAIN, NECK, BNC	SCALE		DRAWING	DESIGN	CHECK
MODEL NO.	KD-1750	UNIT				
DRAWING NO	K-96007	CUSTOMER DRAWING NO.				

KOREA DATA SYSTEMS CO., LTD