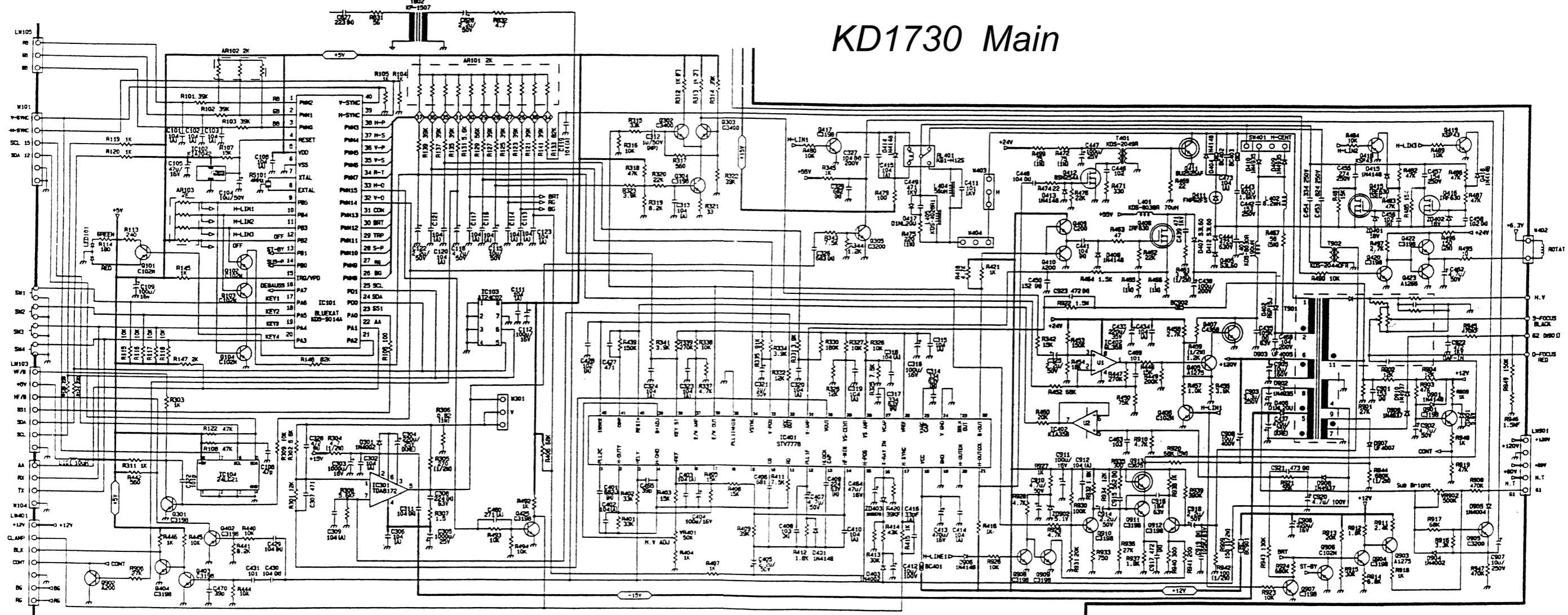
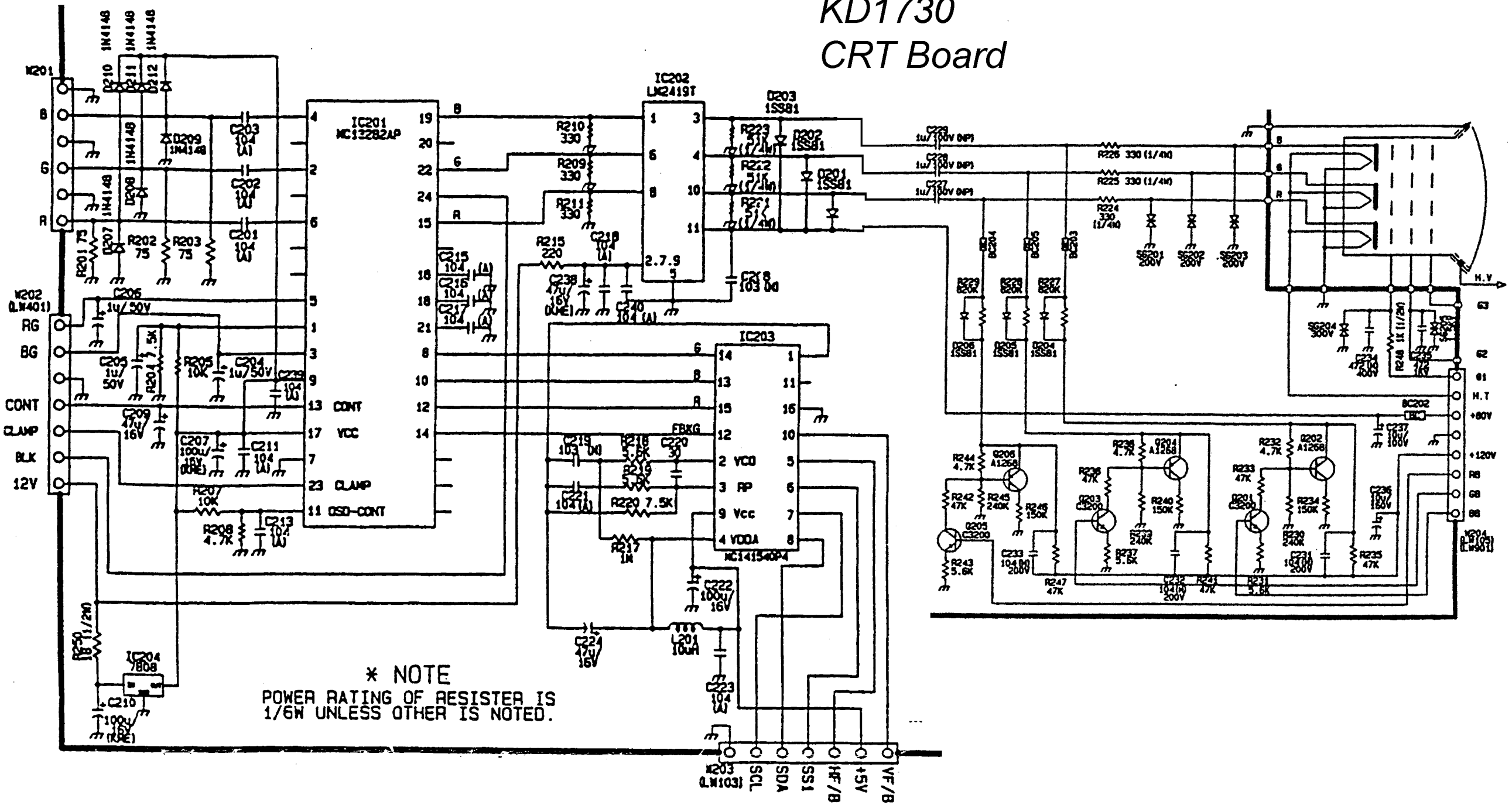


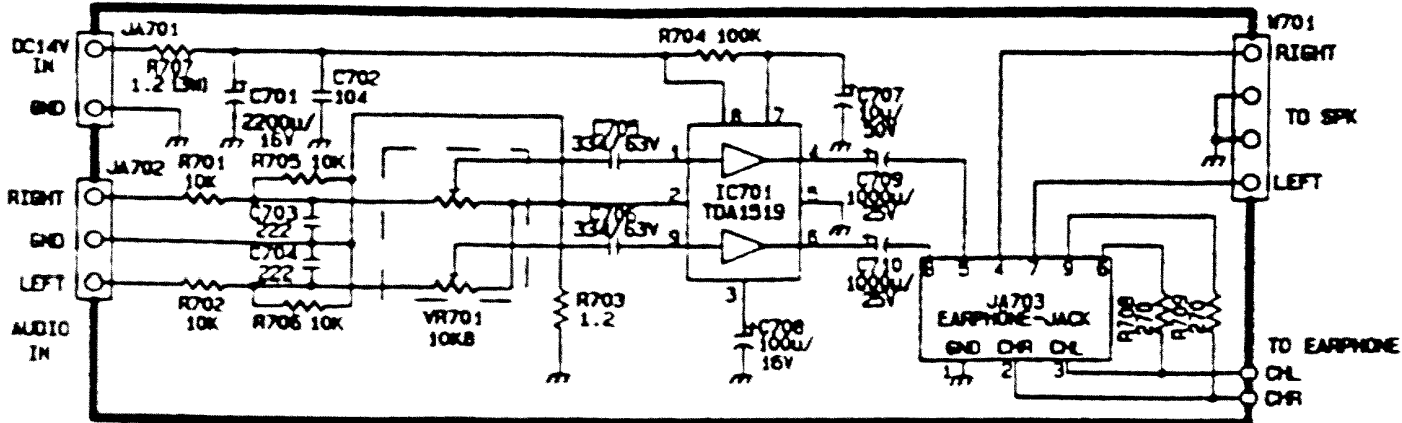
KD1730 Main



KD1730 CRT Board



* NOTE
POWER RATING OF RESISTER IS
1/6W UNLESS OTHER IS NOTED.



*** NOTICE**

FOR PARTS MARKED "P". PARTS SPECIFIED BY THE PRODUCT COMPANY SHOULD BE USED TO PREVENT IT FROM ELECTRICAL SHOCK

*** NOTE**

1. THE UNIT OF RESISTANCE "OHM" IS OMITTED.
2. THE UNIT OF CAPACITANCE "FARAD" IS OMITTED.
3. (M) REPRESENTS MILLER CAPACITOR, (A) REPRESENTS AXIAL CAPACITOR.
4. TOLERANCE OF ALL RESISTOR VALUE IS +/-5% OTHER WISE NOTED.
5. POWER RATING OF RESISTER IS 1/4W UNLESS OTHER IS NOTED.
6. TOLERANCE RATING OF CAPACITOR IS INDICATED BY MEANS OF +1% (F), +2%
7. FOR PARTS MARKED "*", VALUE OF PARTS VARIES WITH EACH DIFFERENT TY

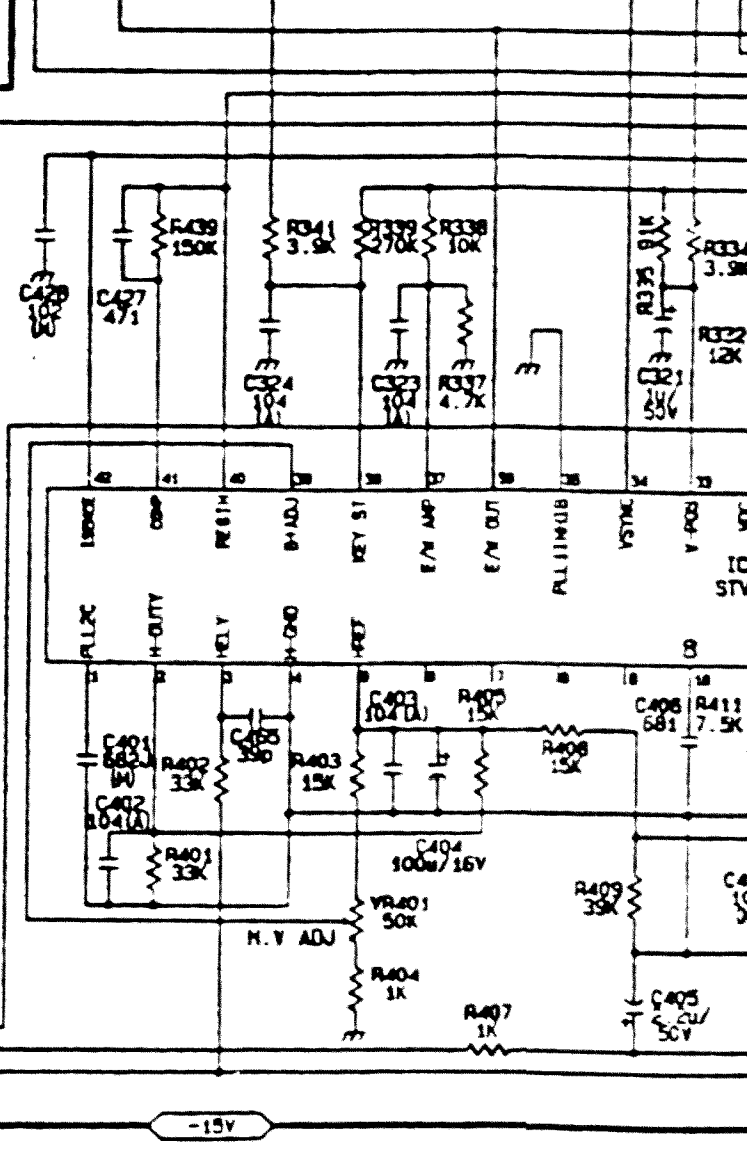
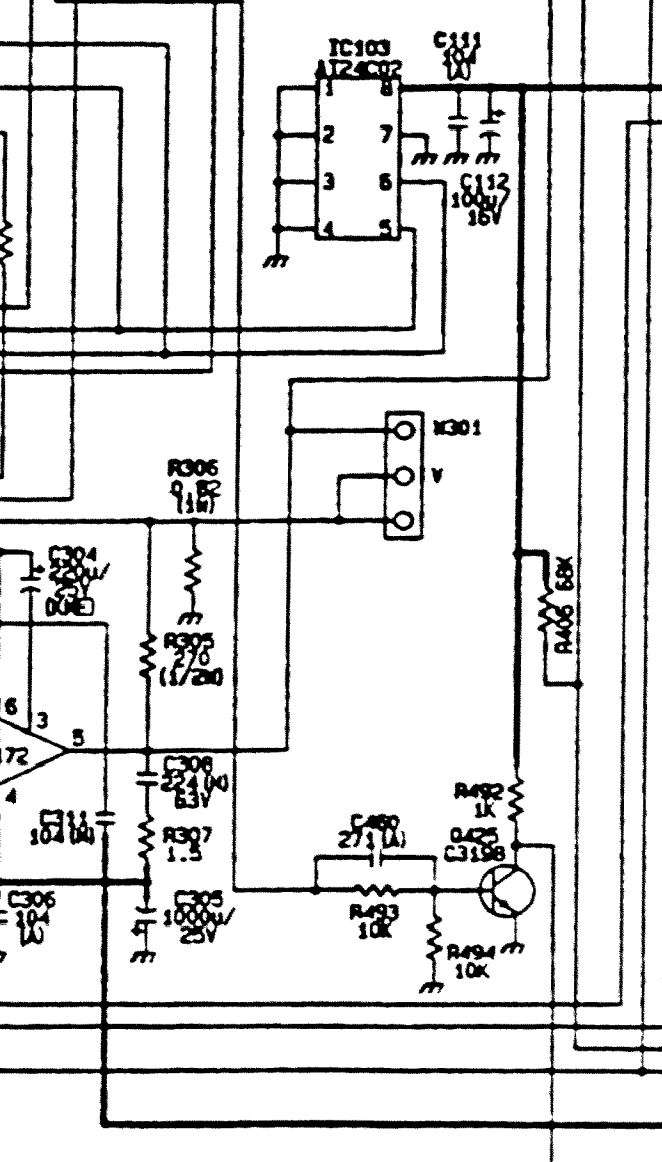
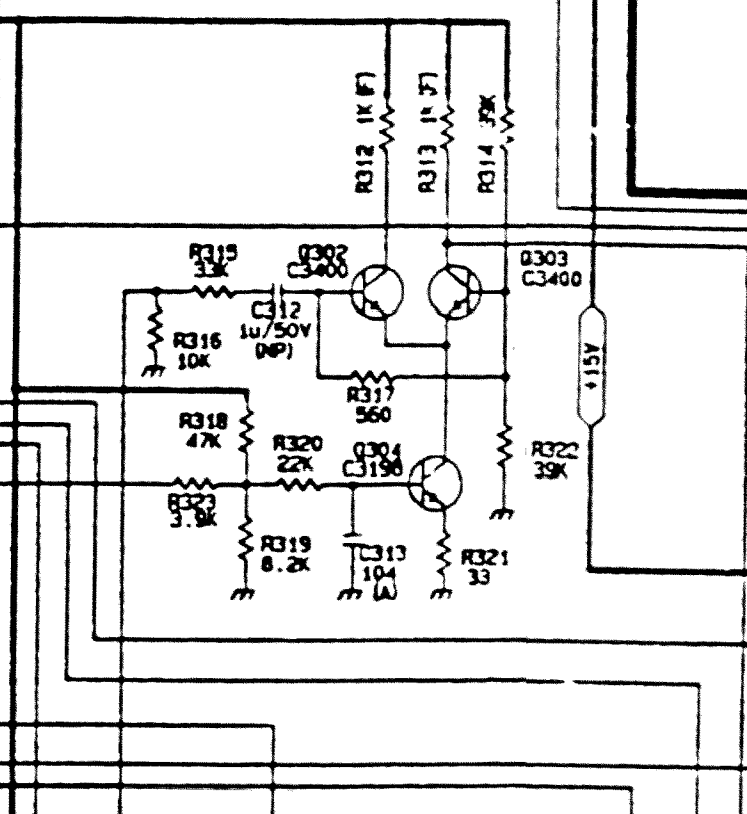
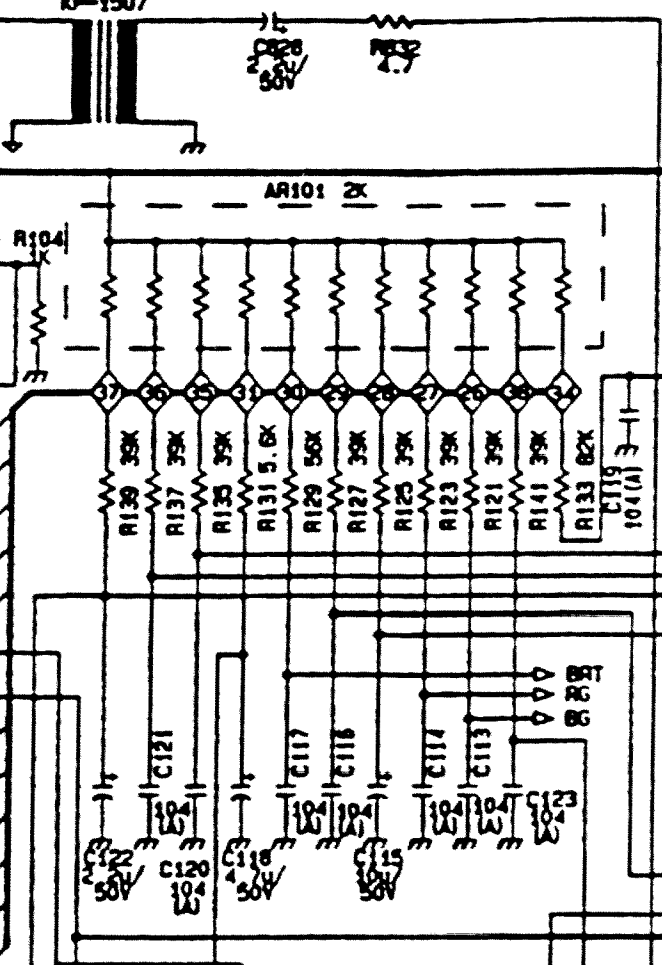
		R901=27K, R902 12K, R903 47K	
REV. 04.	96/12/30	Refer to revision record document tp No.5	
REV. 00.	96/03/21	"M" With Speaker	KD1730-1.3CH
REV. NO.	DATE	DESCRIPTION OF CHANGES	REMARKS

↑
1-D403
Flyback KFS 61411 A-B
Rings YF33 Test 23 Bulbs #3
will Test ok when R901, 902 are
Binned up

KD1730
Audio plus
Notes

T802
KP-1507

AR101 2K



KD1730 Main

