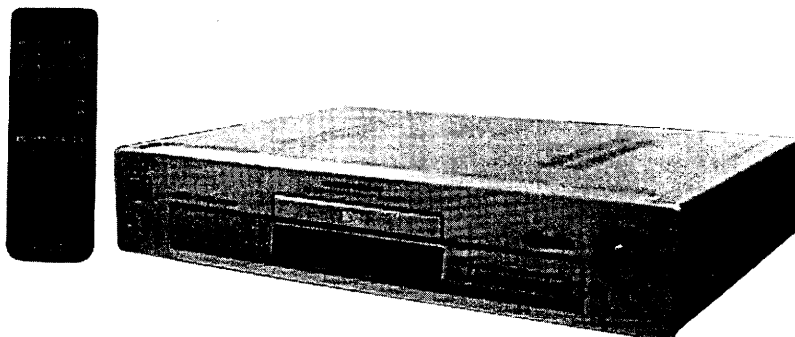


DVP-S715

RMT-D102P

Self Diagnostics
Supported model



SPECIFICATIONS

CD/DVD player

Signal format system PAL/ (NTSC): DVP-A305/S315

Audio characteristics

Frequency response

DVD (PCM 96 kHz): 2 Hz to 44 kHz
(+0.5 dB, -2.0 dB)

DVD (PCM 48 kHz): 2 Hz to 22 kHz
(±0.5 dB)

CD: 2 Hz to 20 kHz (±0.5 dB)

Signal-to-noise ratio

More than 108 dB (LINE OUT (AUDIO)
connectors only)

Harmonic distortion

Dynamic range

Less than 0.0025%

More than 100 dB (DVD)

More than 98 dB (CD)

Wow and flutter

Less than detected value
(±0.001% W PEAK)

Outputs and inputs

	jack type	Output level	Load impedance
LINE OUT (AUDIO)	Phono jacks	2 Vrms (at 50 kilohms)	Over 10 kilohms
DIGITAL OUT (OPTICAL)	Optical output connector	-18 dBm	Wave length: 660 nm
DIGITAL OUT (COAXIAL)	Phono jacks	0.5 Vp-p	75 ohms terminated
LINE OUT (VIDEO)	Phono jack	1.0 Vp-p	75 ohms, sync negative
S VIDEO OUT	4-pin mini DIN	Y: 1.0 Vp-p C: 0.3 Vp-p	75 ohms, sync negative 75 ohms terminated
PHONES	Phone jack	12 mW	32 ohms

General

Power requirements

220 - 240 V AC, 50 Hz

Power consumption

22 W

Dimensions (approx.)

430 × 98 × 325 mm (17 × 3⁷/₈ × 12⁷/₈ in.)
(w/h/d) incl. projecting parts

Mass (approx.)

4.8 kg (10 lb 9 oz)

Operating temperature

41°F to 95°F (5°C to 35°C)

Operating humidity

5% to 90%

Supplied accessories

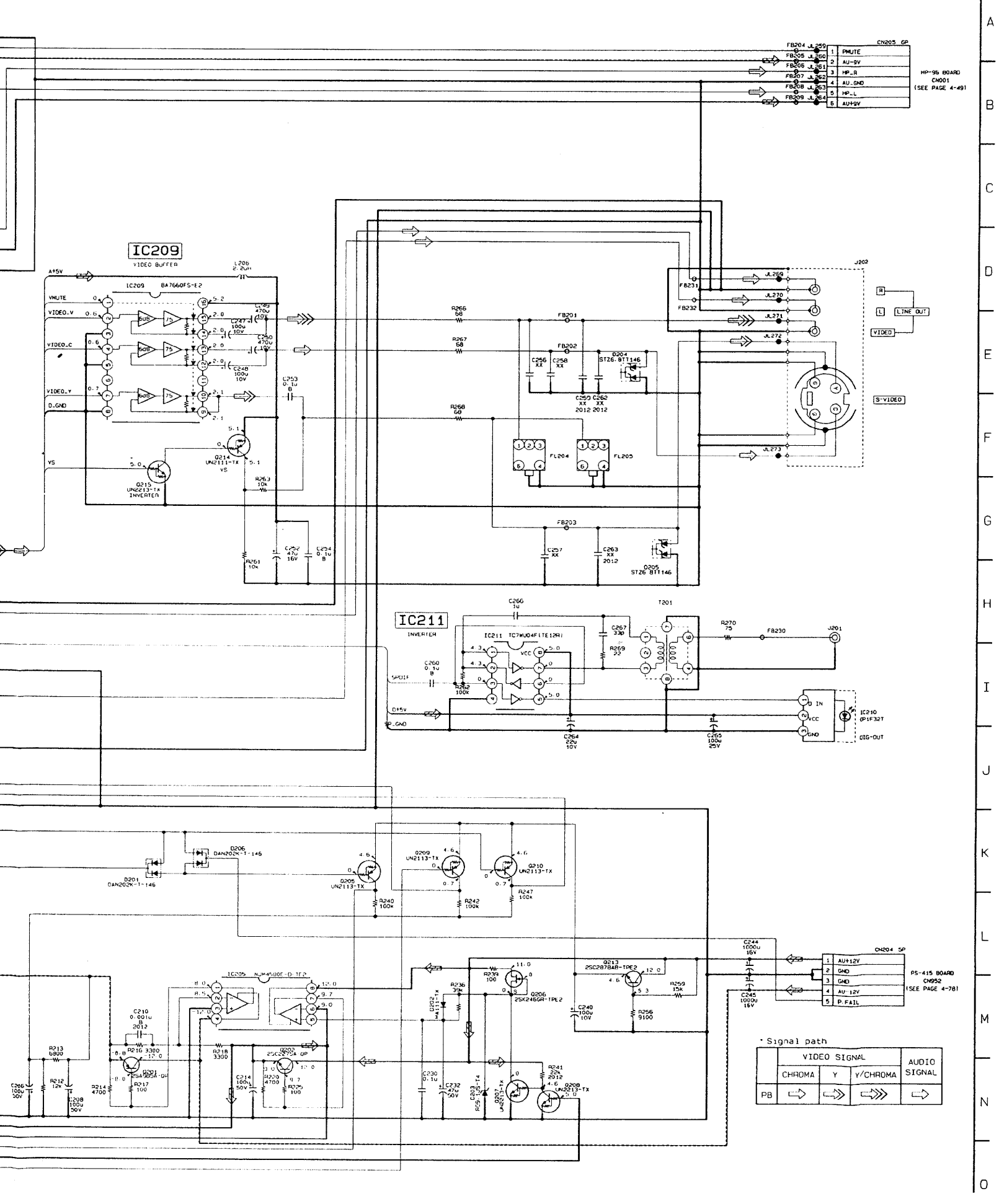
- Audio/Video connecting cord (1)
- S video cable (1)
- Remote commander (remote) RMT-D102P (1)
- Sony R6 (size AA) batteries (2)

Design and specifications are subject to change without notice.



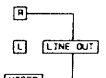
CD/DVD PLAYER

SONY®



FB204	J.259	1	PMUTE
FB205	J.260	2	AU-9V
FB206	J.261	3	HP-R
FB207	J.262	4	AU_GND
FB208	J.263	5	HP-L
FB209	J.264	6	AU+9V

HP-95 BOARD
CN01
(SEE PAGE 4-491)



S-VIDEO

IC211
INVERTER

IC210
SP1F32T

CN204 5P	
1	AU+12V
2	GND
3	GND
4	AU-12V
5	P-FAIL

PS-415 BOARD
CN92
(SEE PAGE 4-781)

Signal path

	VIDEO SIGNAL			AUDIO SIGNAL
	CHROMA	Y	Y/CHROMA	
PB	→	→	→	→

AU-187 BOARD
CN202
(SEE PAGE 4-35)

V..MUTE	1
VS	2
MUTE_CTL	3
AU..R1X	4
AU..R1X	5
AU..L1Y	6
AU..L1Y	7
A+5V	8
E5V	9
VIDEO..C1V1	10
VIDEO..C1X1	11
VIDEO..Y1Y	12
VIDEO..Y1X	13
VIDEO..Y1Y	14
VIDEO..Y1X	15

CN603 9P

DVD/XVTR	9
EURD..VY	8
AV..CONT	7
VIDEO..R1X	6
VIDEO..R1Y	5
VIDEO..G1X	4
VIDEO..G1Y	3
VIDEO..B1X	2
E..V/R68	1

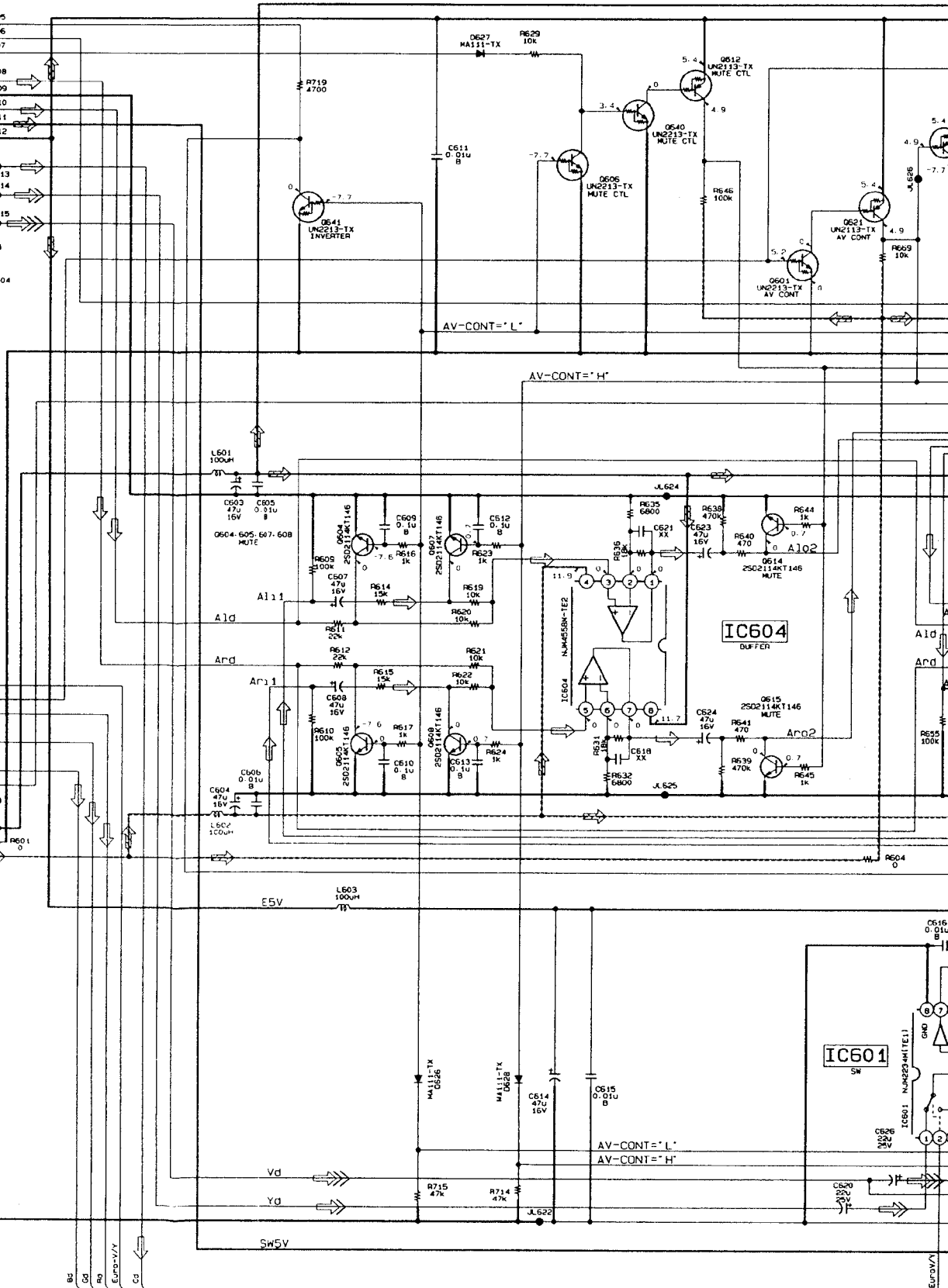
HS-3302A BOARD
CN202
(SEE PAGE 4-81)

CN601 3P

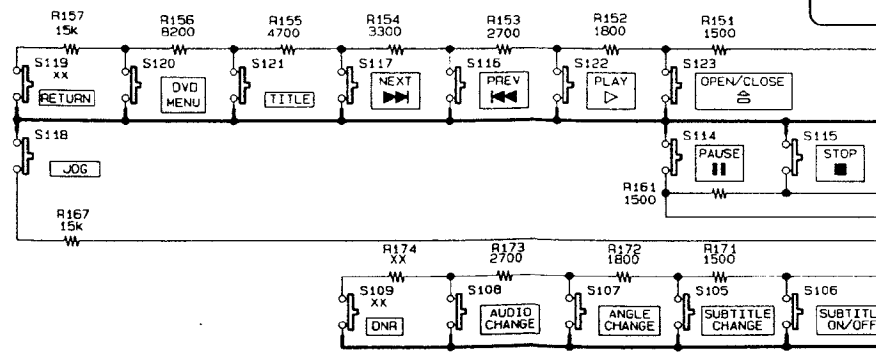
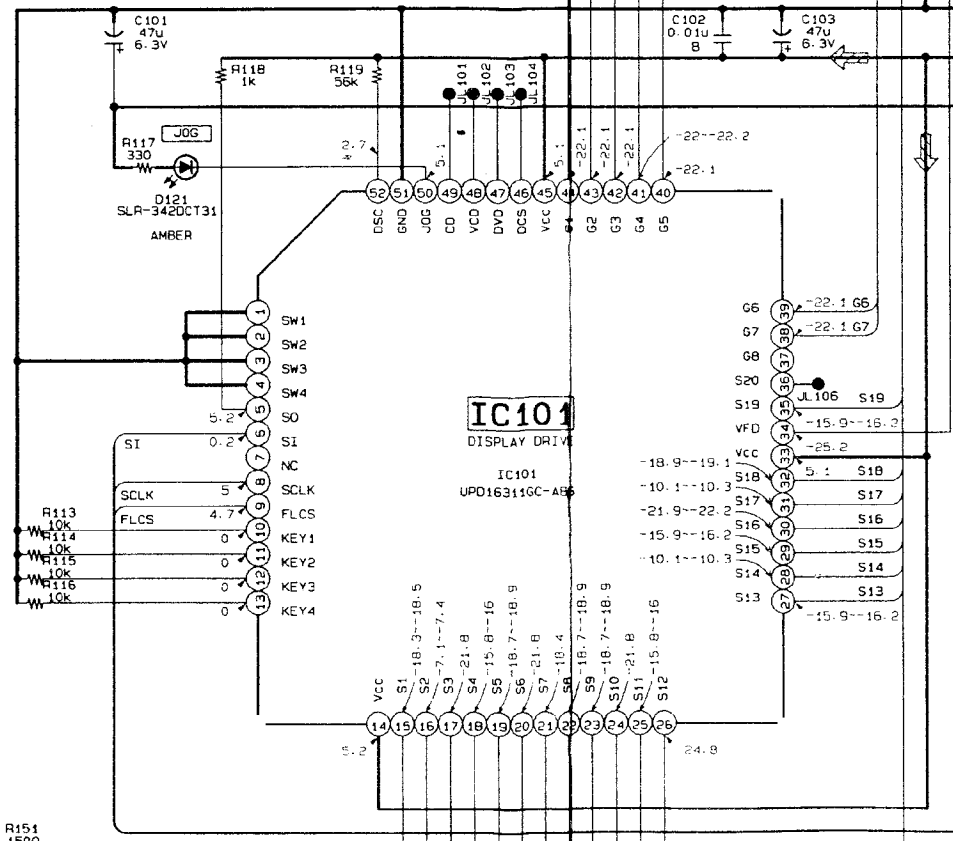
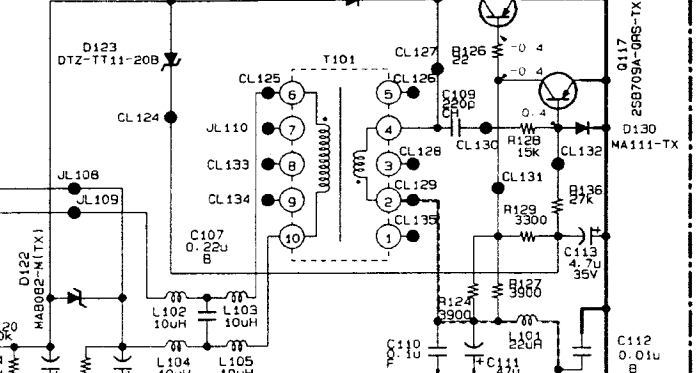
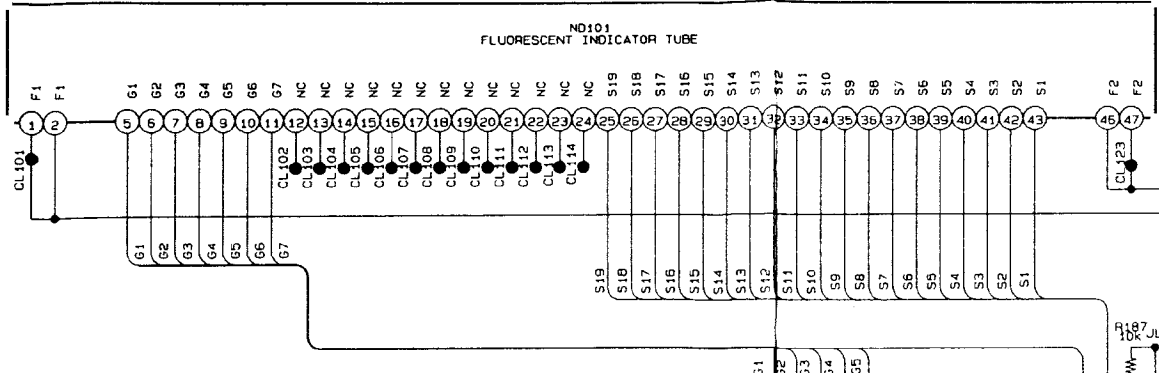
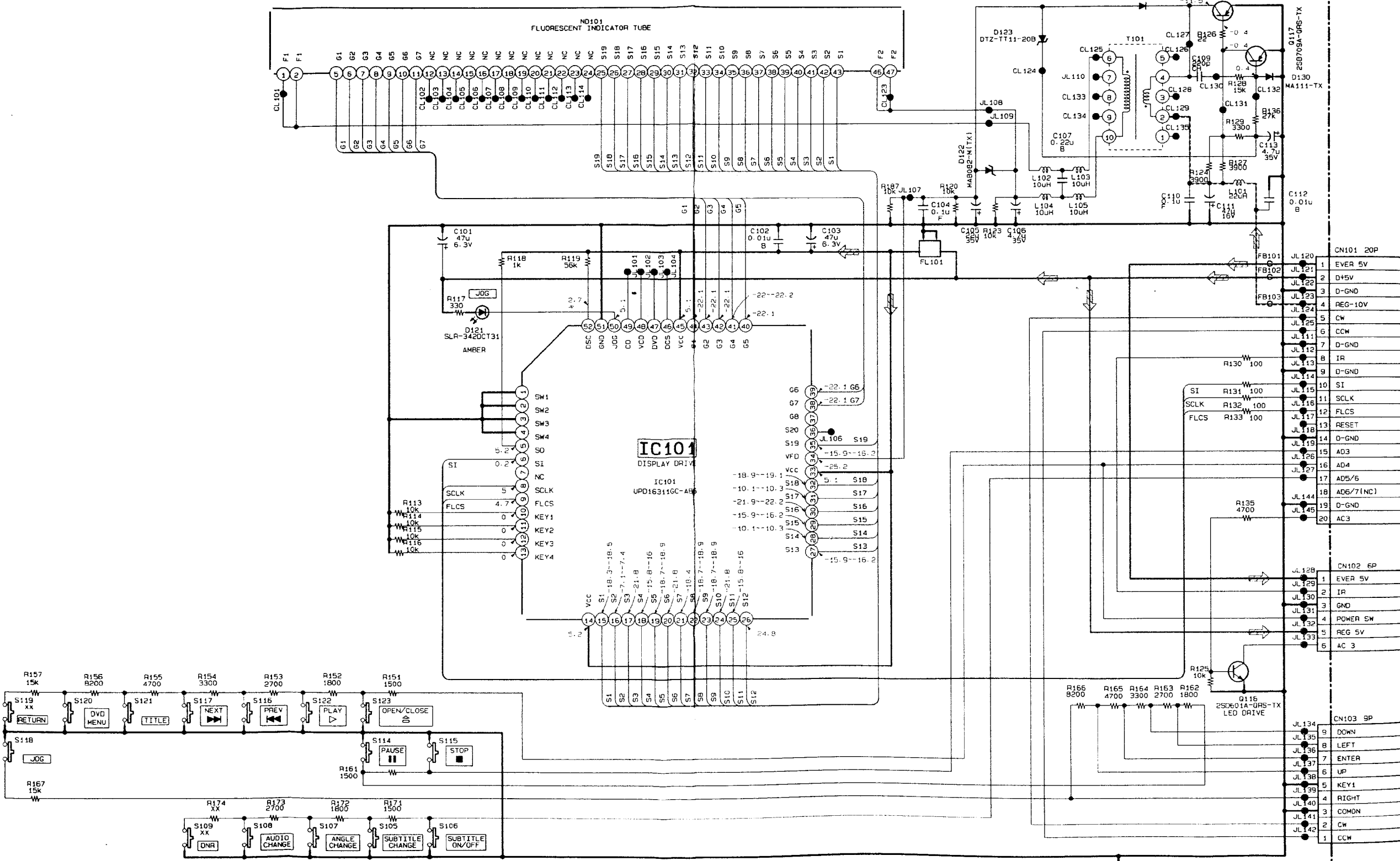
E12V	1
CND1E	2
E-12V	3

05

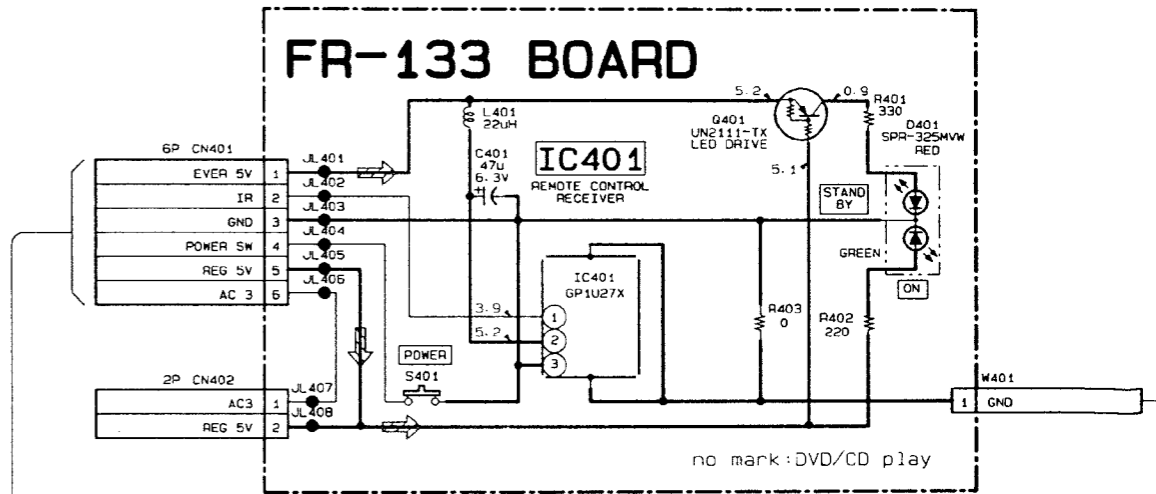
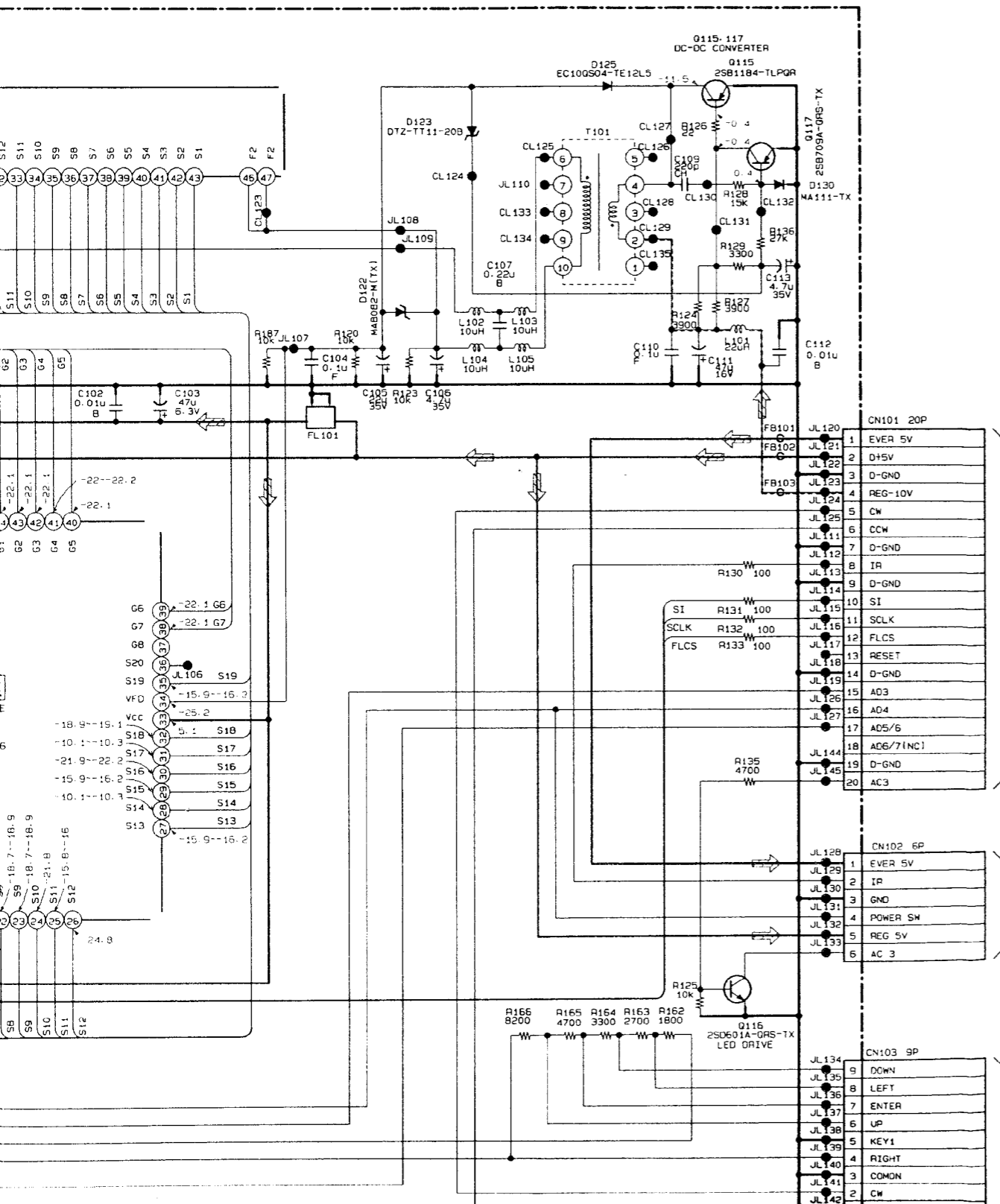
B5
G5
R5
EURD-VY
G5



IC601
N-UM4558C-1E2
SW
C626
R627
C627
E5V

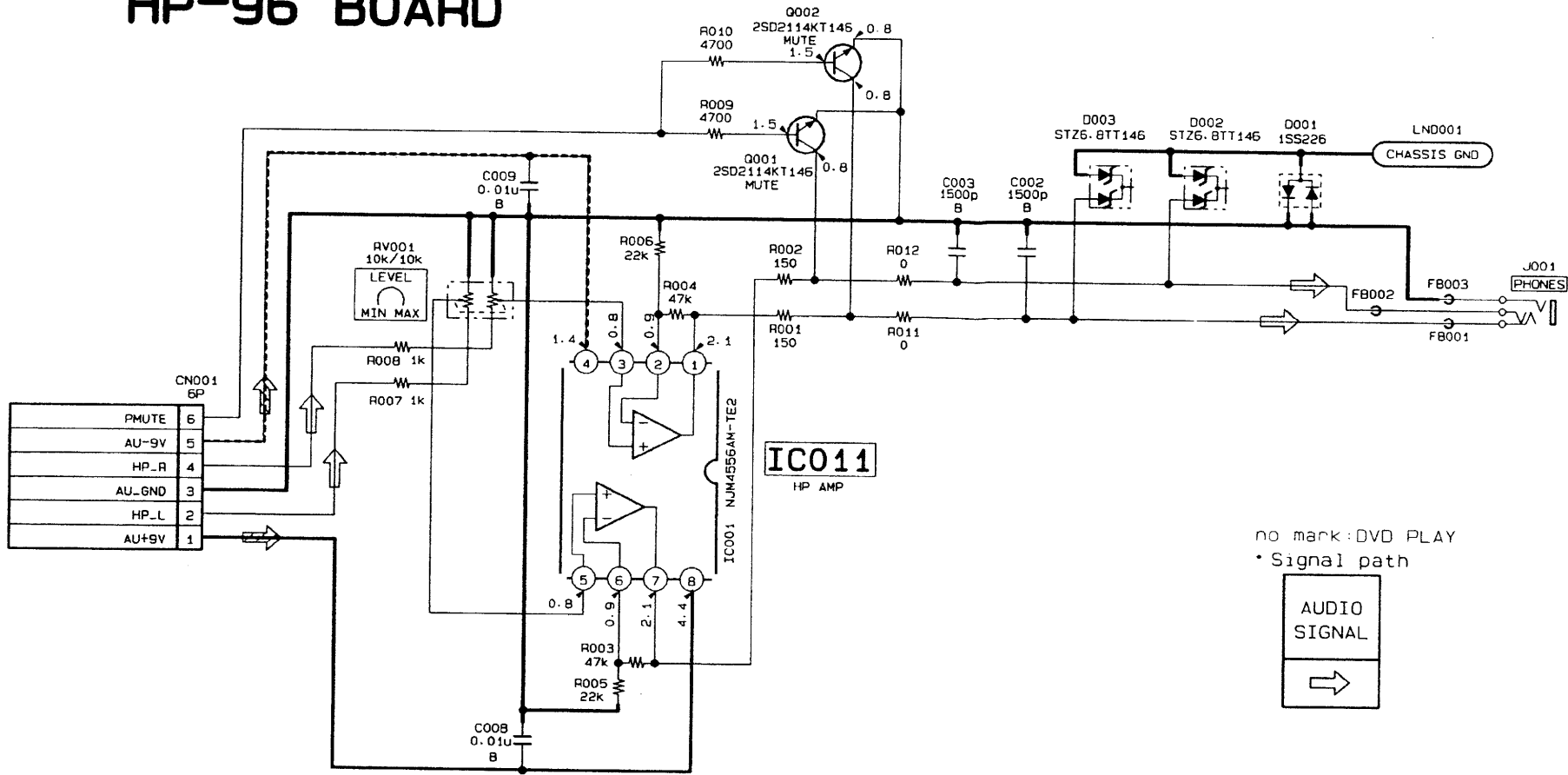


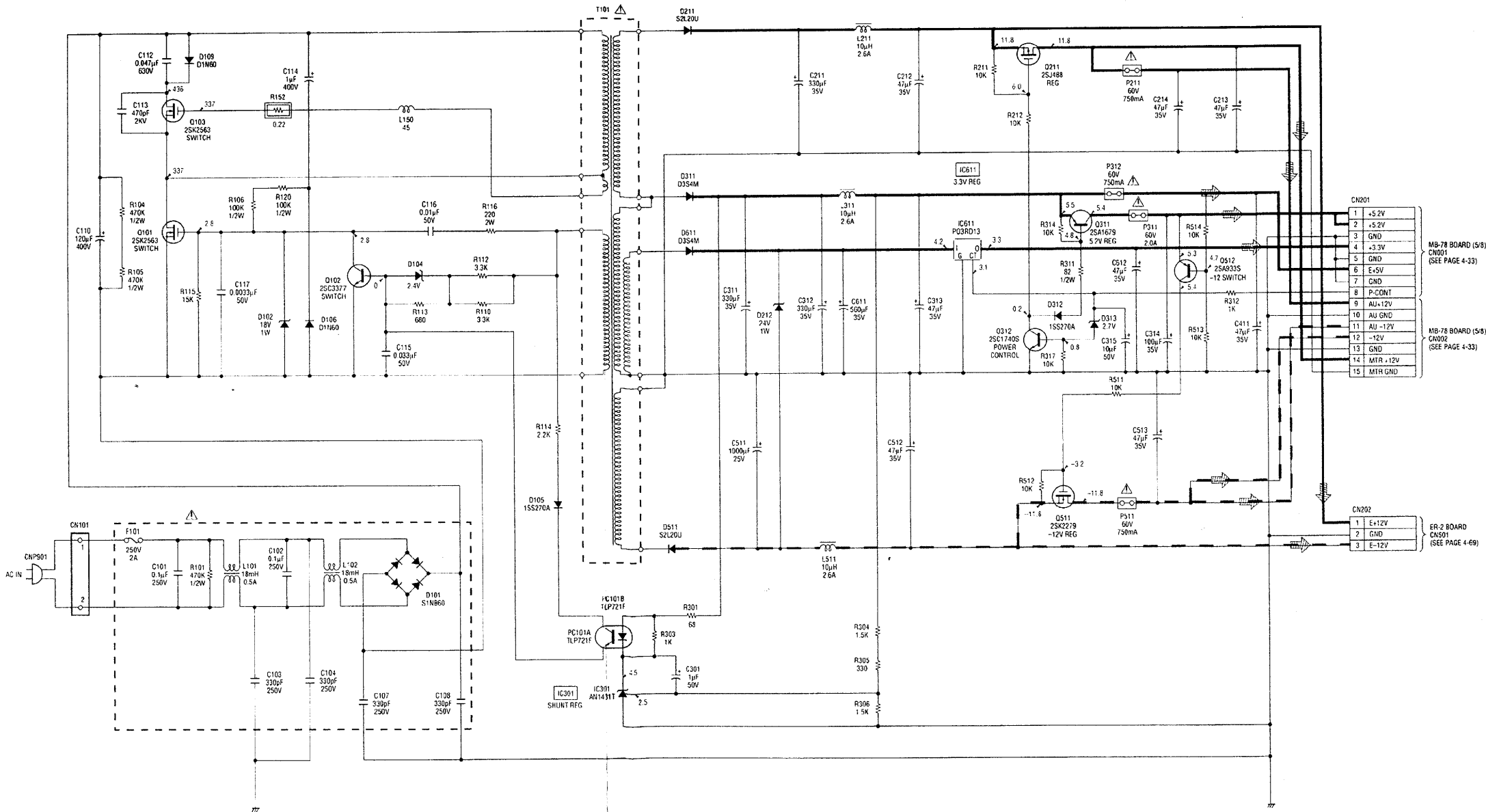
- CN101 20P
- 1 EVER 5V
 - 2 D+5V
 - 3 D-GND
 - 4 REG-10V
 - 5 CW
 - 6 CCW
 - 7 D-GND
 - 8 IR
 - 9 D-GND
 - 10 SI
 - 11 SCLK
 - 12 FLCS
 - 13 RESET
 - 14 D-GND
 - 15 AD3
 - 16 AD4
 - 17 AD5/6
 - 18 AD6/7(INC)
 - 19 D-GND
 - 20 AC3
- CN102 6P
- 1 EVER 5V
 - 2 IR
 - 3 GND
 - 4 POWER SW
 - 5 REG 5V
 - 6 AC 3
- CN103 9P
- 9 DOWN (JL134)
 - 8 LEFT (JL135)
 - 7 ENTER (JL137)
 - 6 UP (JL136)
 - 5 KEY1 (JL138)
 - 4 RIGHT (JL140)
 - 3 COMDN (JL141)
 - 2 CW (JL142)
 - 1 CCW (JL142)



HP-96 BOARD

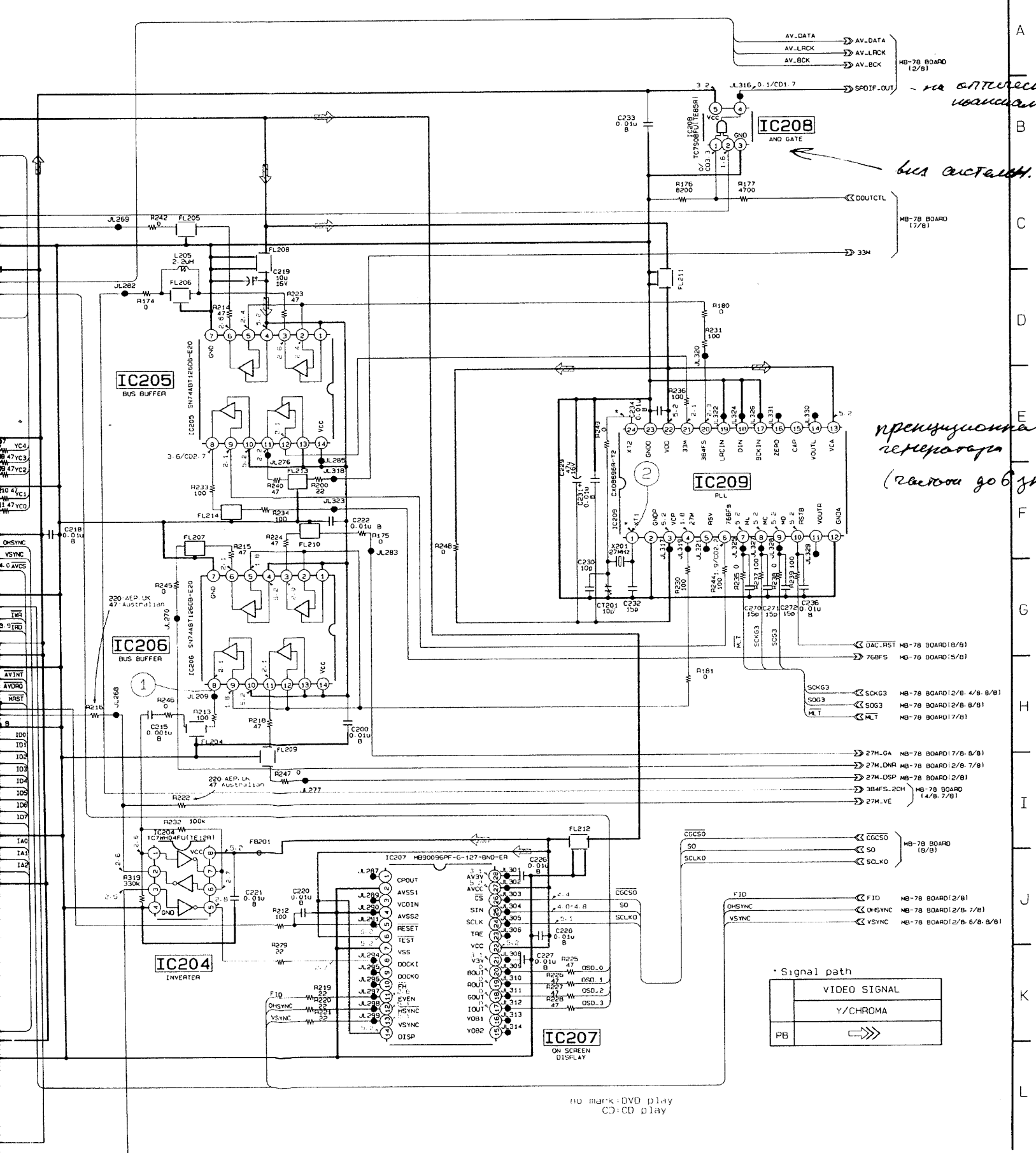
AU-197 BOARD
CN205
(SEE PAGE 4-58)

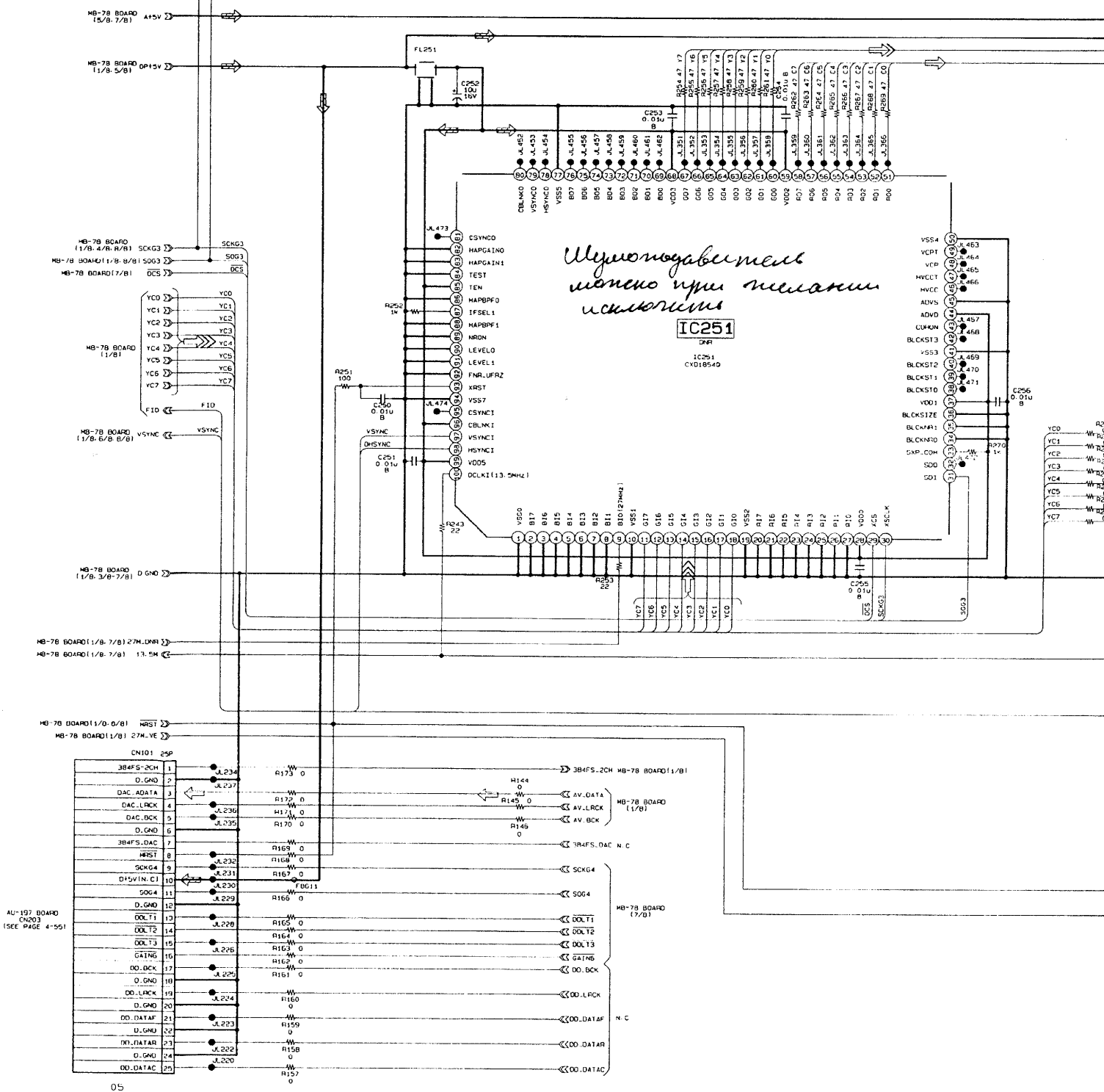




- MB-78 BOARD (S8)
CN001
(SEE PAGE 4-33)
- | | |
|----|----------|
| 1 | +5.2V |
| 2 | +5.2V |
| 3 | GND |
| 4 | +3.3V |
| 5 | GND |
| 6 | E-5V |
| 7 | GND |
| 8 | P-CONT |
| 9 | AU-12V |
| 10 | AU GND |
| 11 | AU -12V |
| 12 | -12V |
| 13 | GND |
| 14 | MFR +12V |
| 15 | MFR GND |
- MB-78 BOARD (S8)
CN002
(SEE PAGE 4-33)

- FR-2 BOARD
CN501
(SEE PAGE 4-69)
- | | |
|---|-------|
| 1 | E+12V |
| 2 | GND |
| 3 | E-12V |



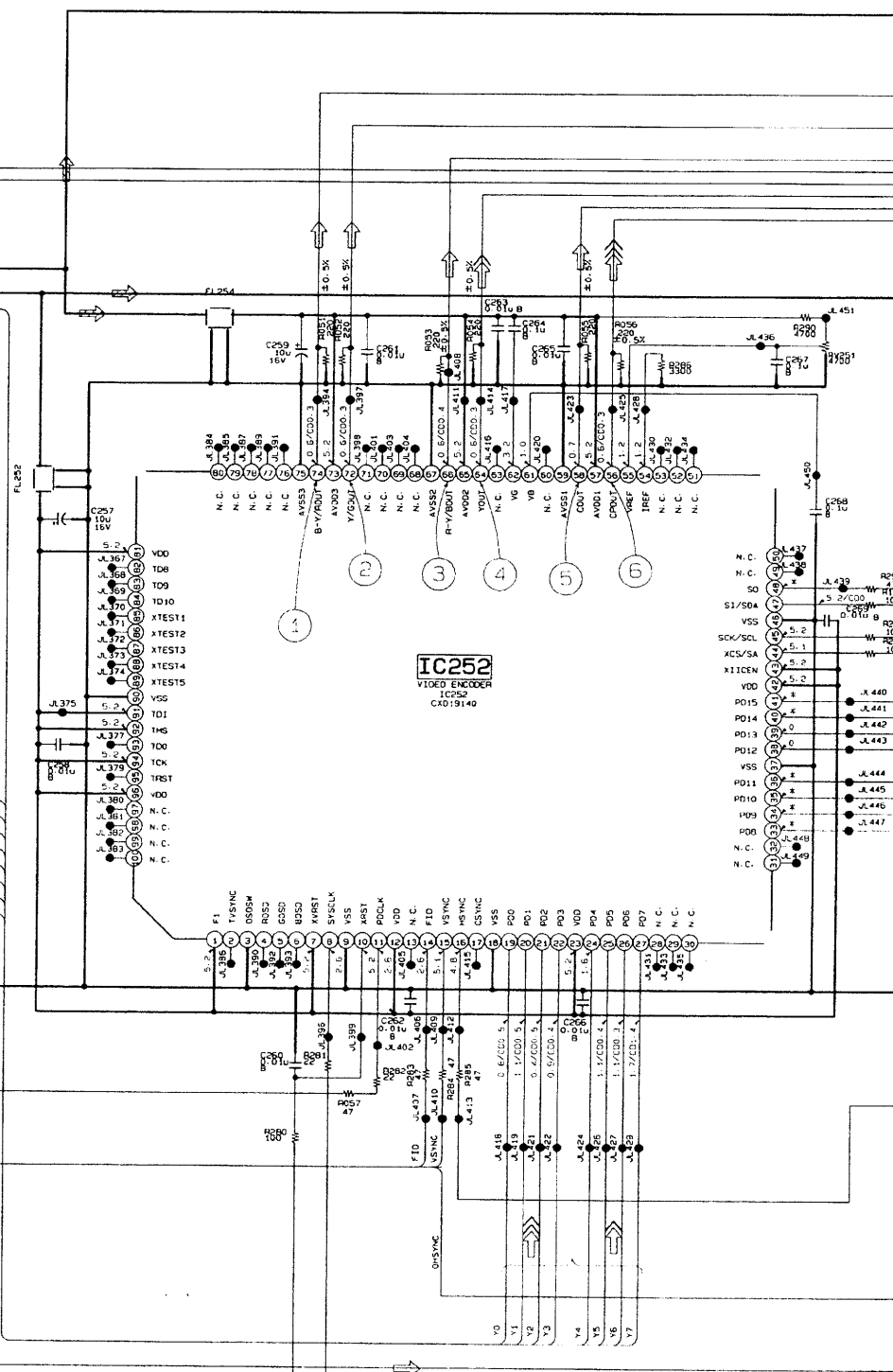
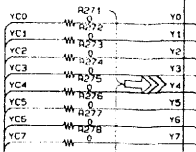
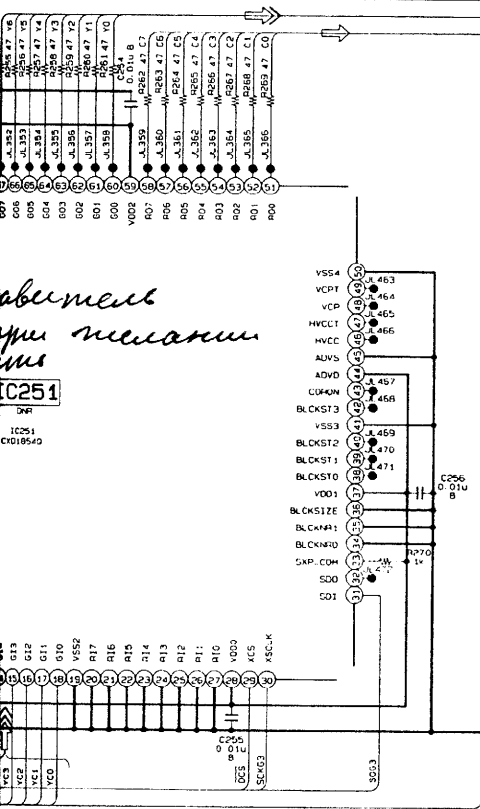


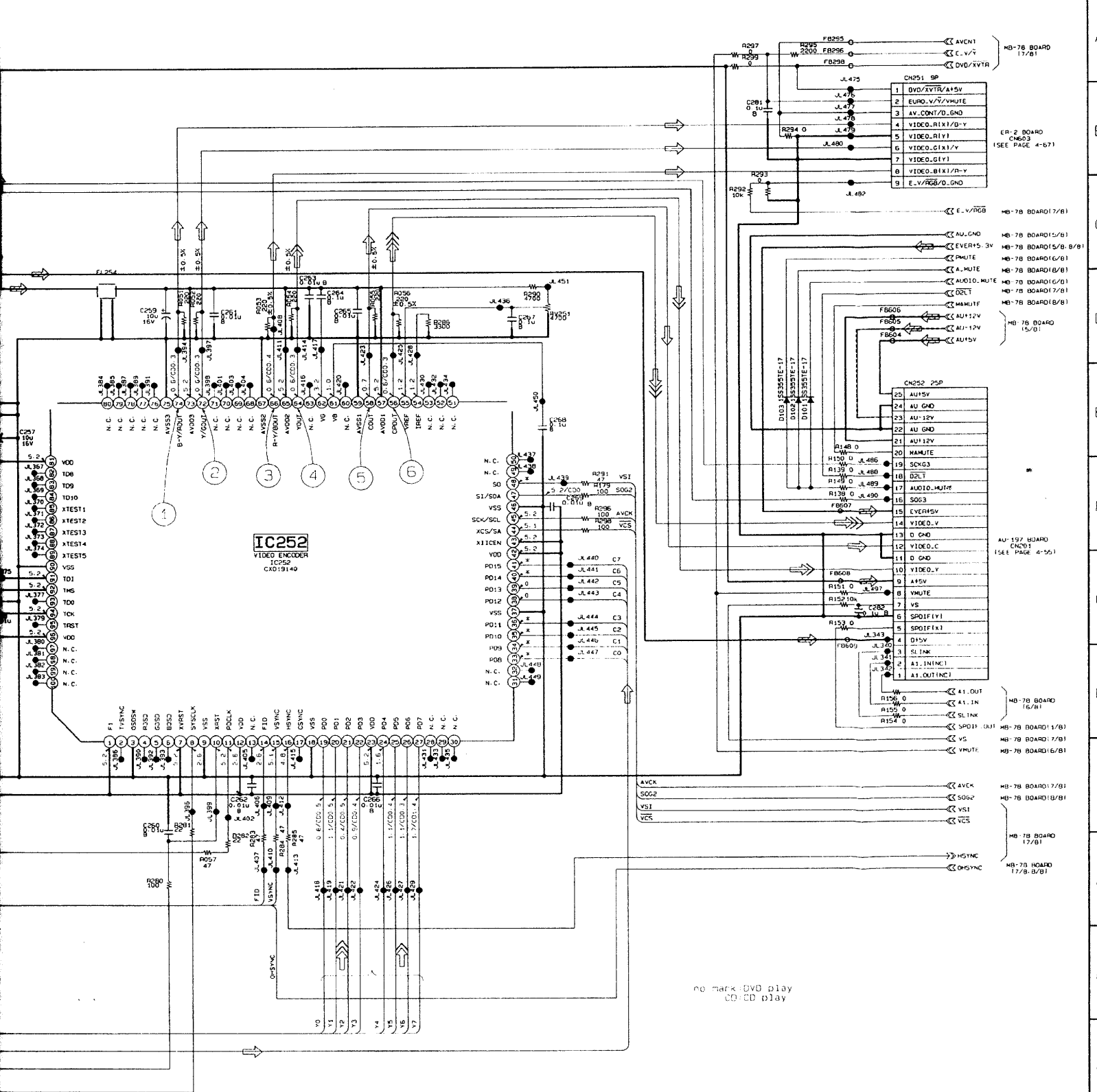
Уменьшить
значение при монтаже
и проверить

IC251

CV18540

AU-197 BOARD
CX003
(SEE PAGE 4-551)

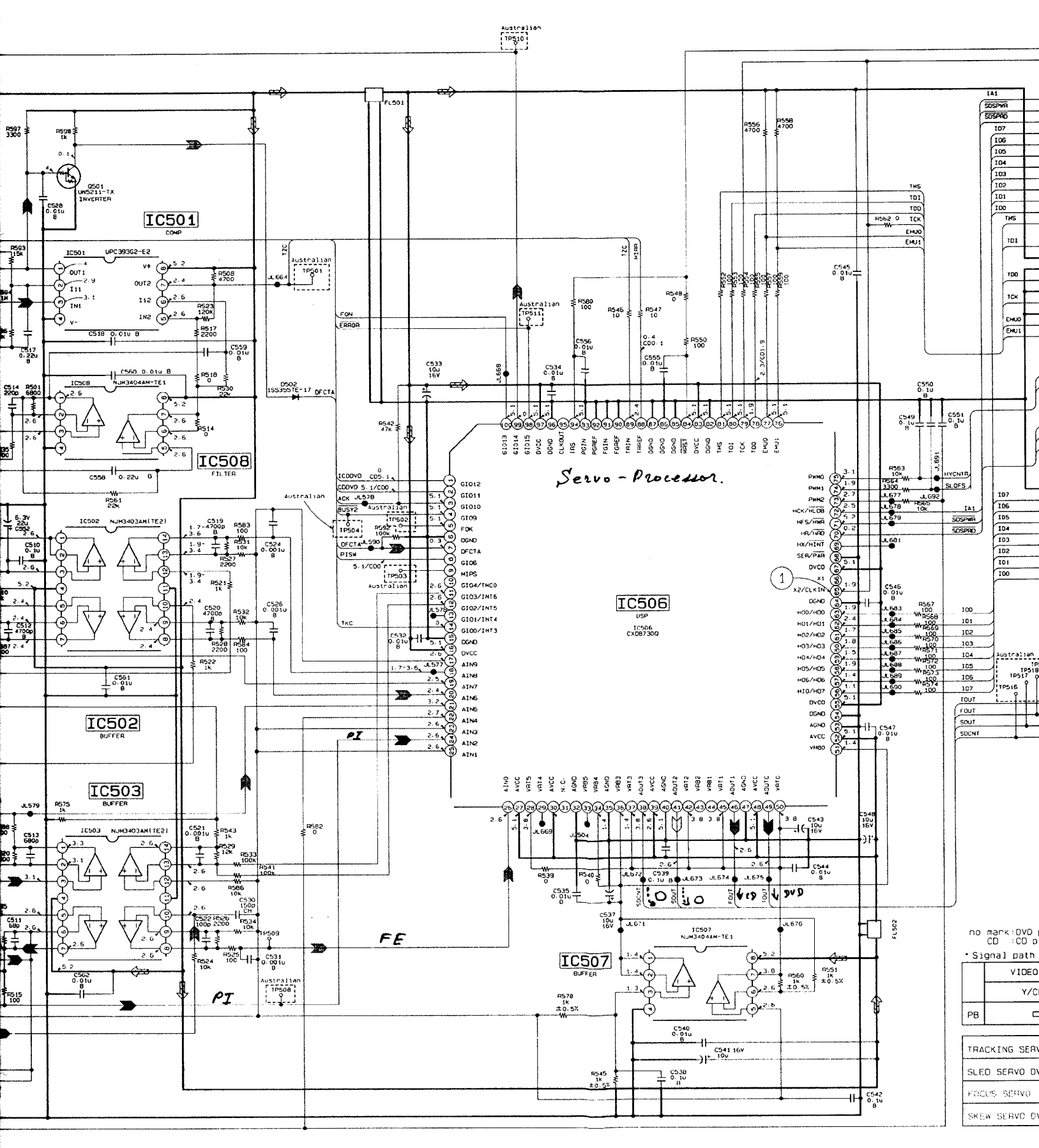




no mark DVD play
 CD/CD play

* Signal path

	VIDEO SIGNAL			AUDIO SIGNAL
	CHROMA	Y	Y/CHROMA	
PH	→	→	→	→



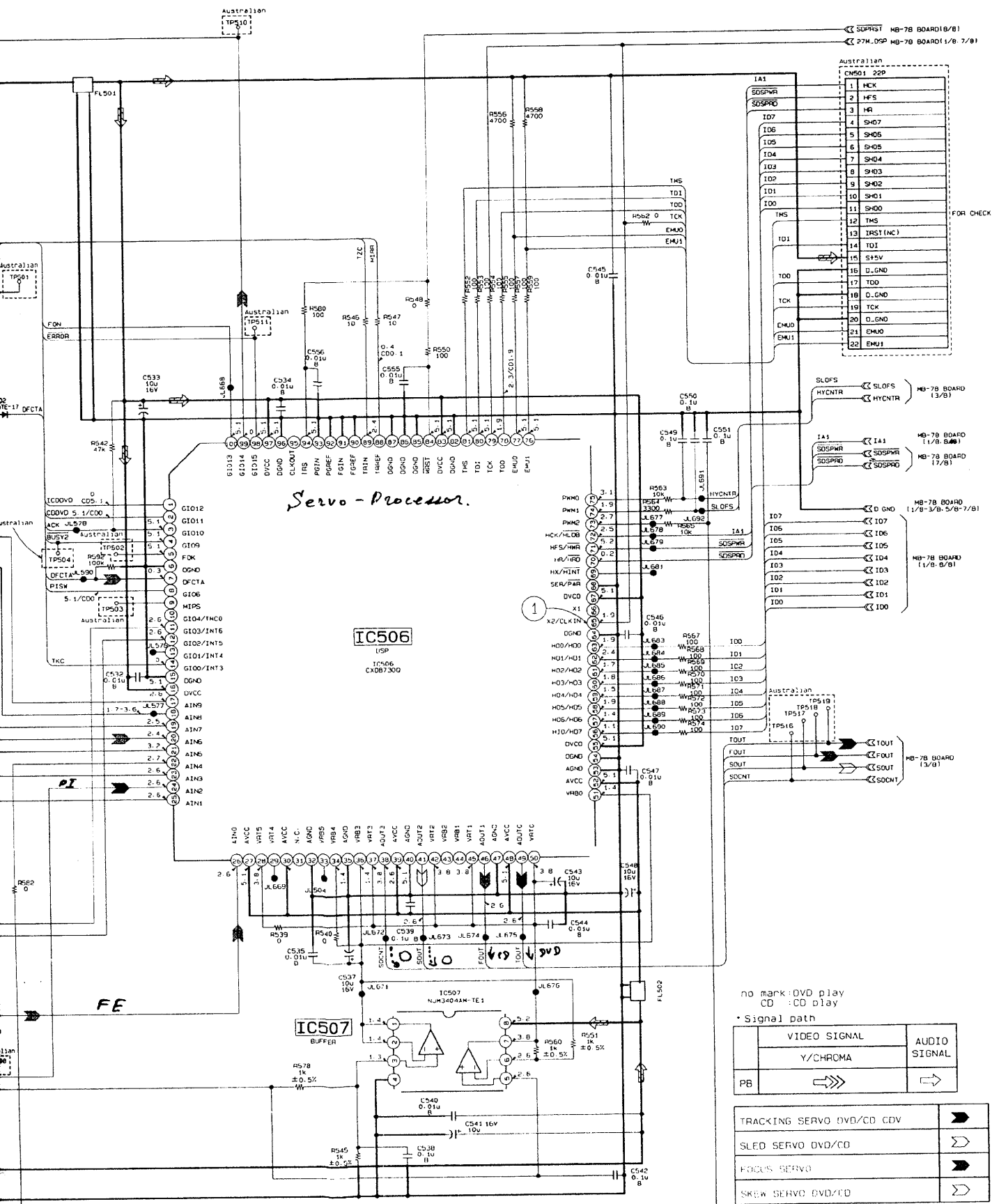
Servo-Processor.

no mark: DVO
CO : CO D

• Signal path

VIDEO	
Y/C	
PB	

TRACKING SERV	
SLED SERV D	
FOCUS SERV	
SKREW SERV D	



Servo-Processor.

S'LOUT
(74 pin)

S'OUT
41 pin

S'D CNT
38 pin.

no mark DVD play
CD :CD play

*Signal path

PB	VIDEO SIGNAL	AUDIO SIGNAL
	Y/CHROMA	
	⇨⇨⇨	⇨

TRACKING SERVO DVD/CD	⇨
SLED SERVO DVD/CD	⇨
FOCUS SERVO	⇨
SKEW SERVO DVD/CD	⇨

A
B
C
D
E
F
G
H
I
J
K
L
M

78 BOARD (5/8)

MB-78 BOARD (1/8-4/8, 5/8, 7/8) D GND

HS-930SH BOARD CN201 (1) (2) D1ns (SEE PAGE 4-81)

CN001 8P

REG+5.2V	8	JL001
REG+5.2V	7	JL002
GND(D)	6	JL003
REG+3.3V	5	JL004
GND(D)	4	JL005
EVER+5.3V	3	
GND(D)	2	
P-CONT	1	

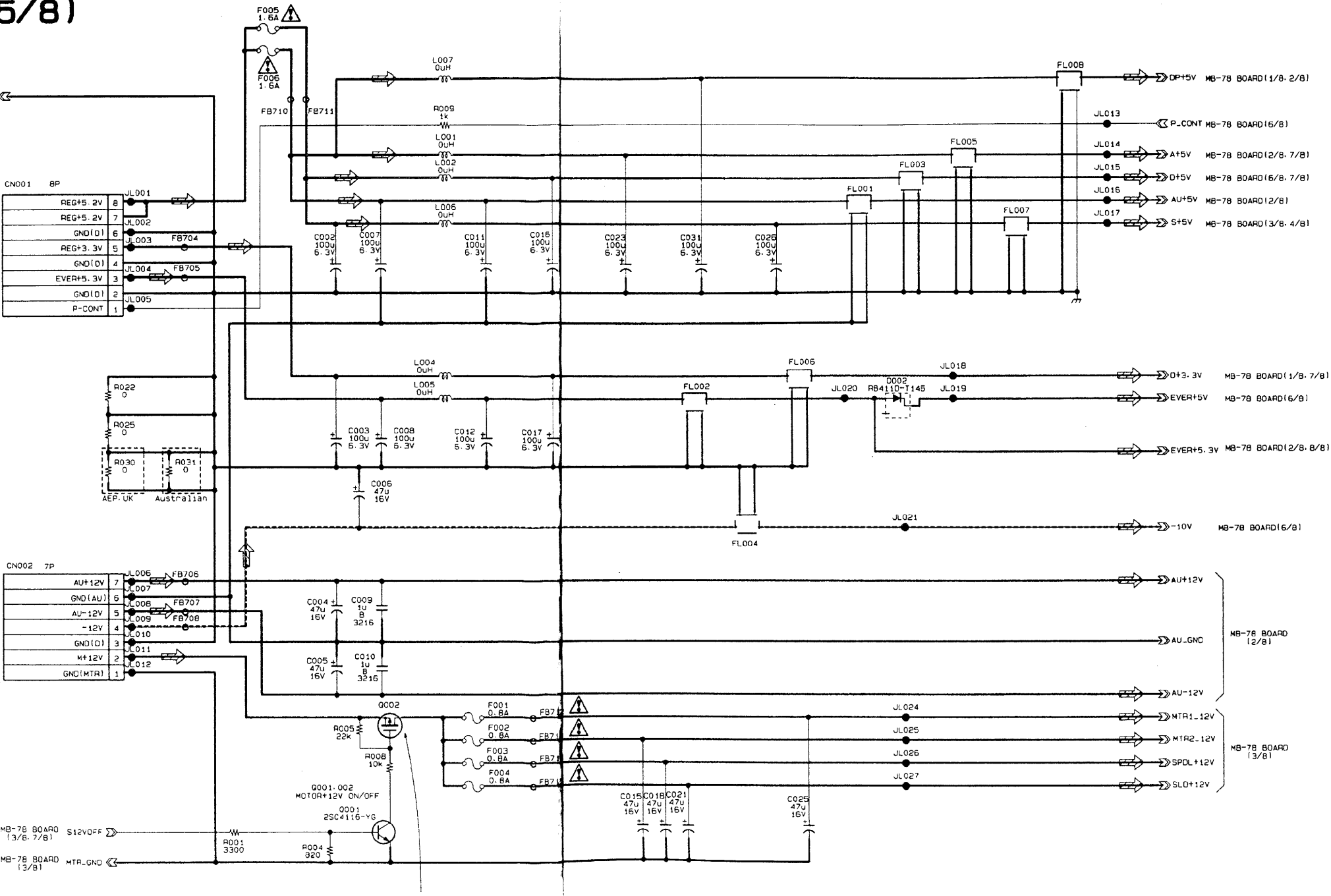
CN002 7P

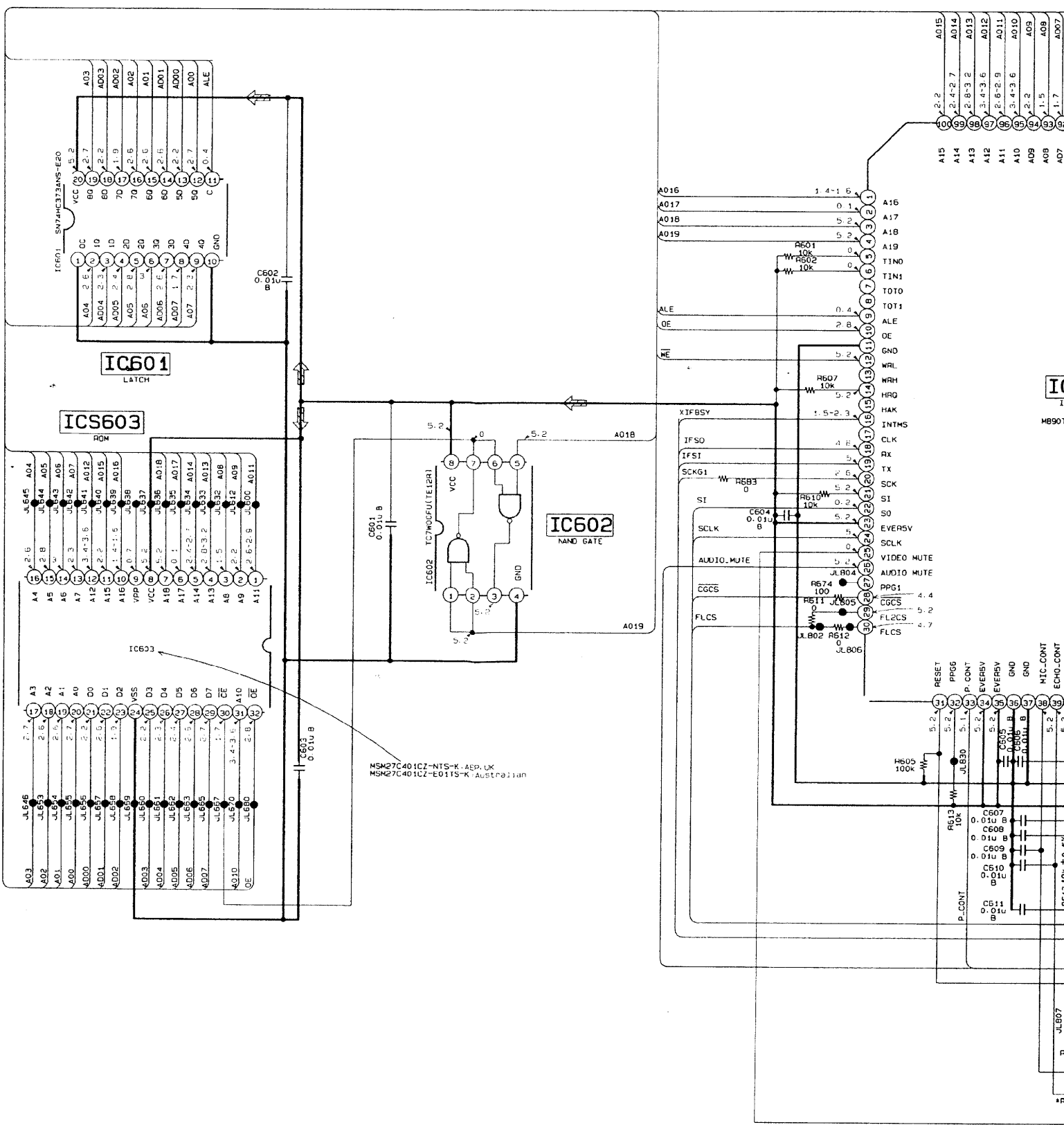
AU+12V	7	JL006
GND(AU)	6	JL007
AU-12V	5	JL008
-12V	4	JL009
GND(D)	3	JL010
M+12V	2	JL011
GND(MTR)	1	JL012

HS-930SH BOARD CN201 (1) (2) D1ns (SEE PAGE 4-81)

MB-78 BOARD (3/8, 7/8) S12V OFF

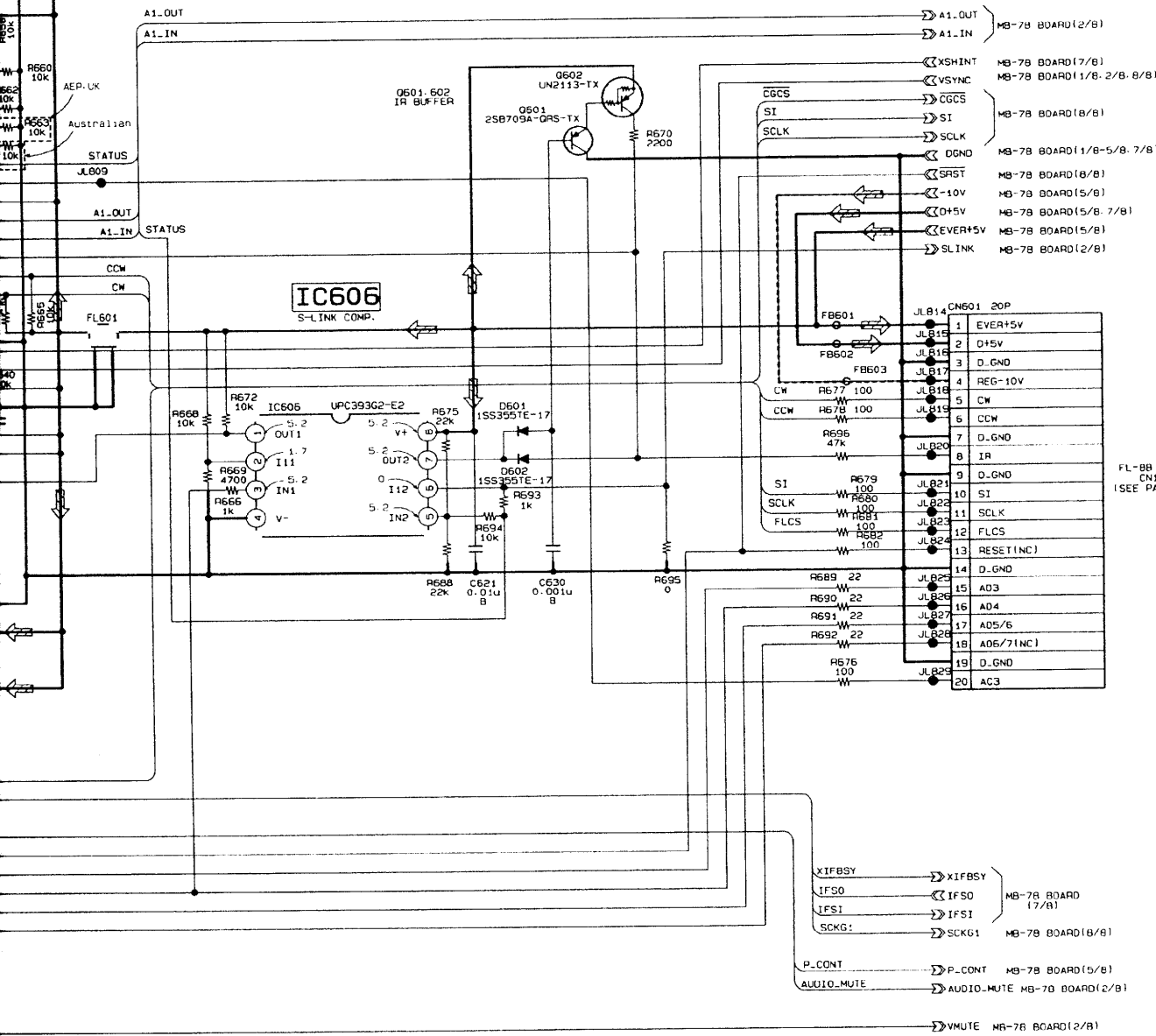
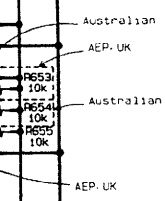
MB-78 BOARD (3/8) MTR_GND





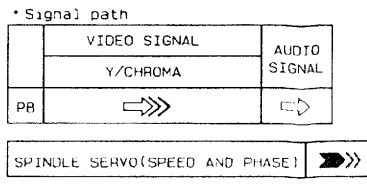
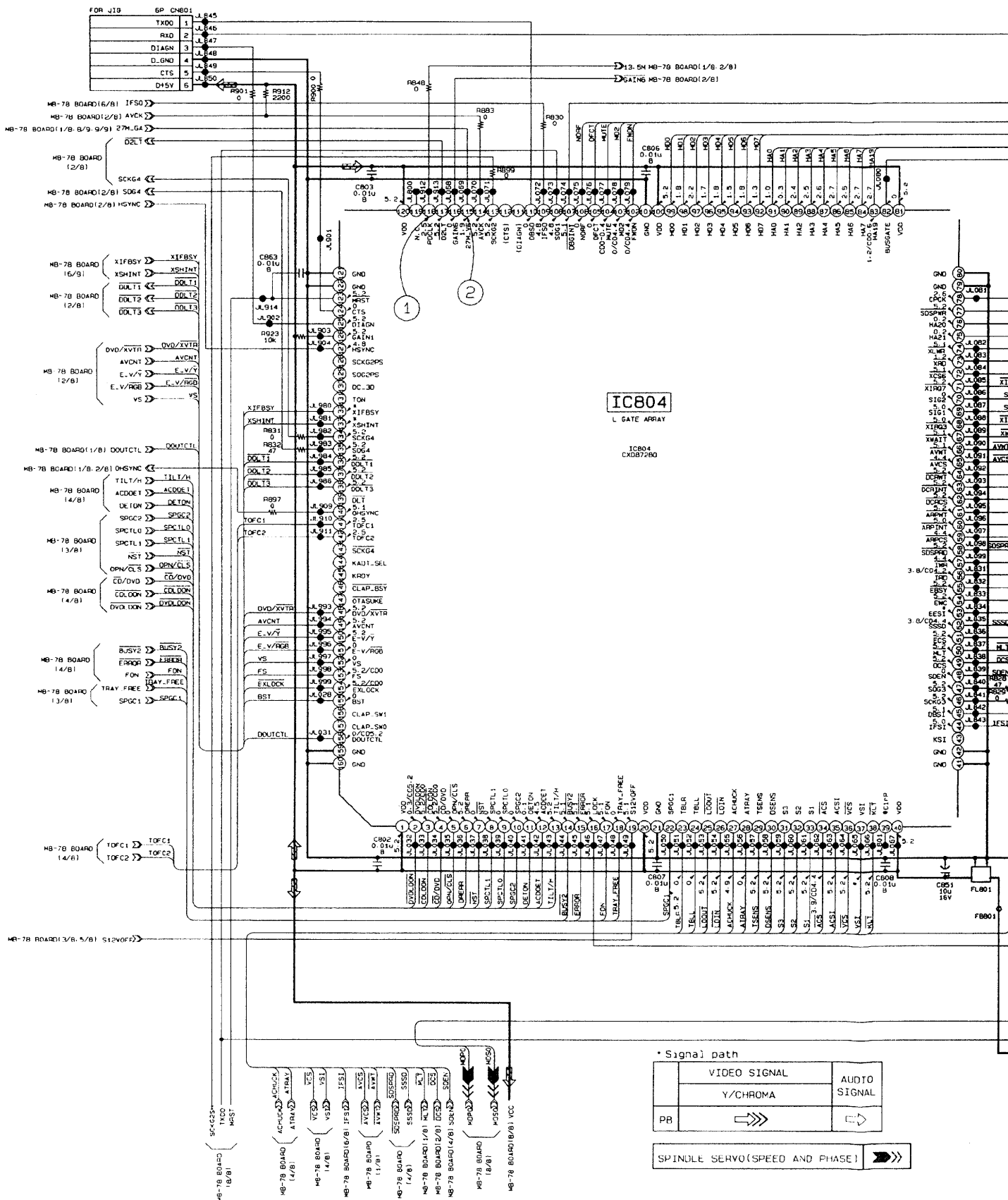
IC605

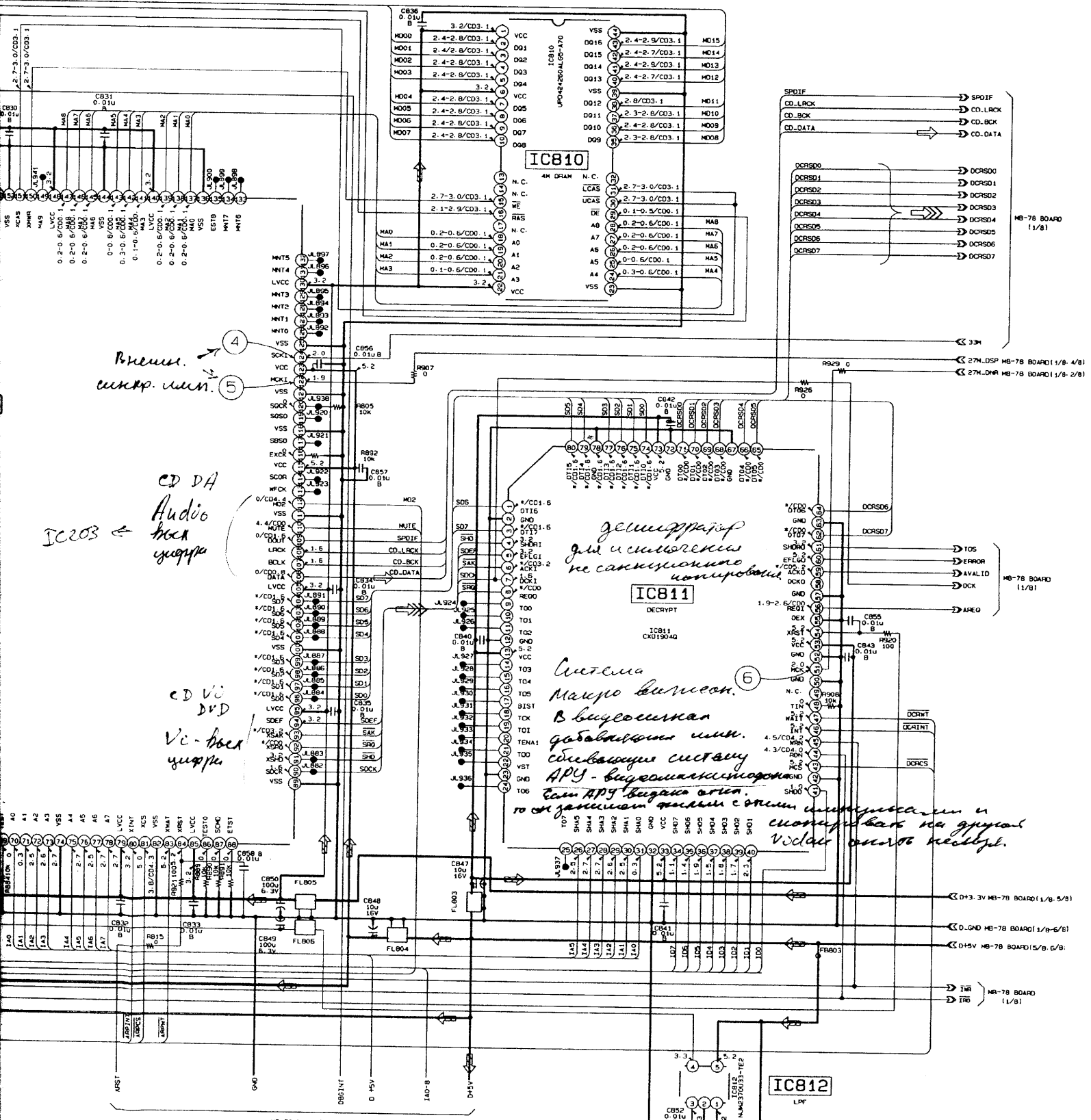
RESET



no mark: DVD play
CD : CD play

MB-78 BOARD (7/8)





Внешн.
сигнал. инт.

CD DA
Audio блок
устройства
IC803 ← блок
устройства

CD VD
DVD
Vc-блок
устройства

дешифратор
для и шифрования
не сакционных
компонентов

Система
Мауро Виреон.
В вычислительной
гabarитном инт.
сбиваются сигналы
APU - вычислительного
такт AP9 безгана ориен.
то и замещают сигнал с другим инт.
и шифруются на сигнал
Vc-блок устройства.

MB-78 BOARD (1/8)

27M.DSP MB-78 BOARD(1/8-4/8)
27M.DNR MB-78 BOARD(1/8-2/8)

MB-78 BOARD (1/8)

0+3.3V MB-78 BOARD(1/8-5/8)

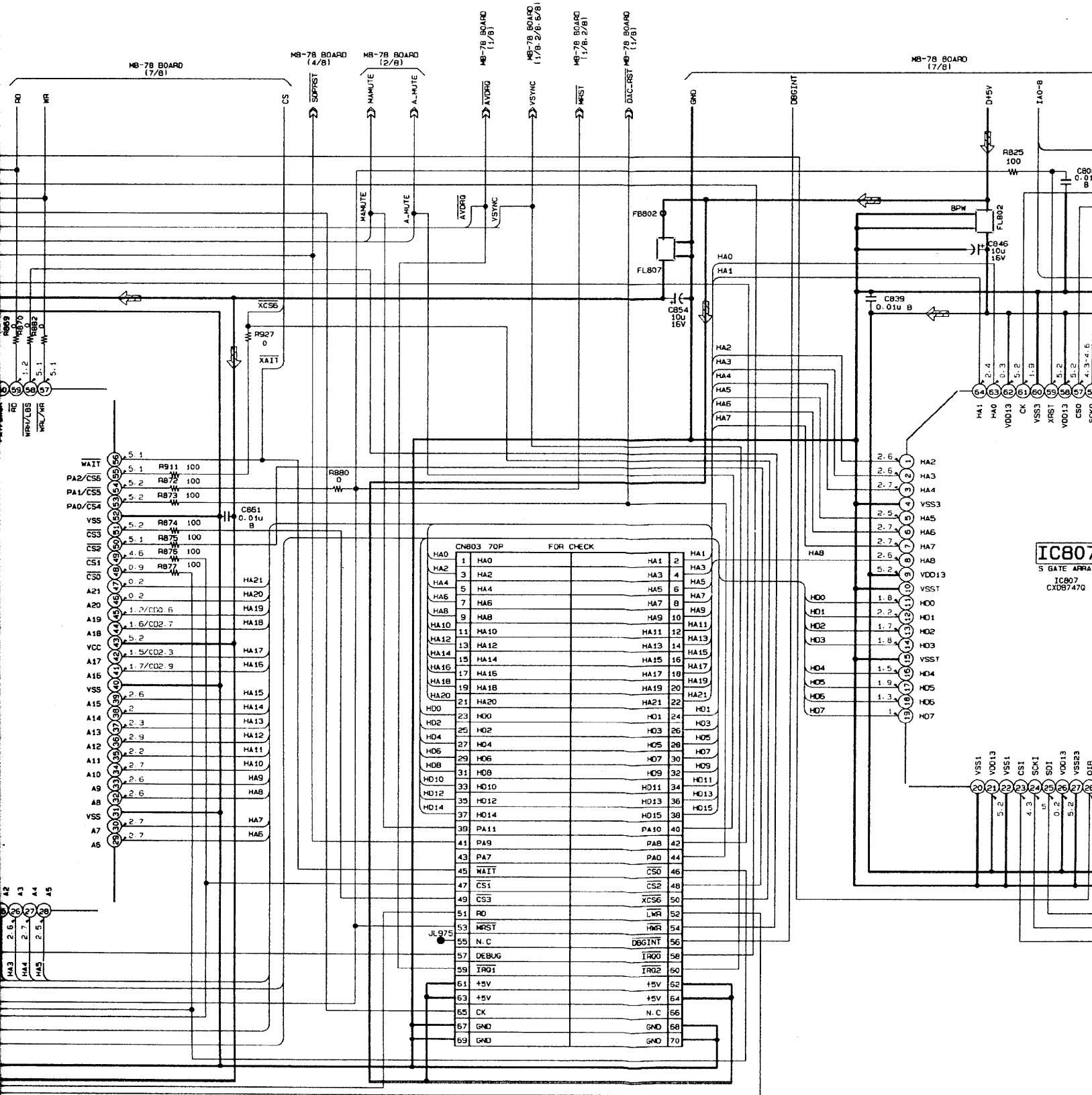
0.GND MB-78 BOARD(1/8-6/8)

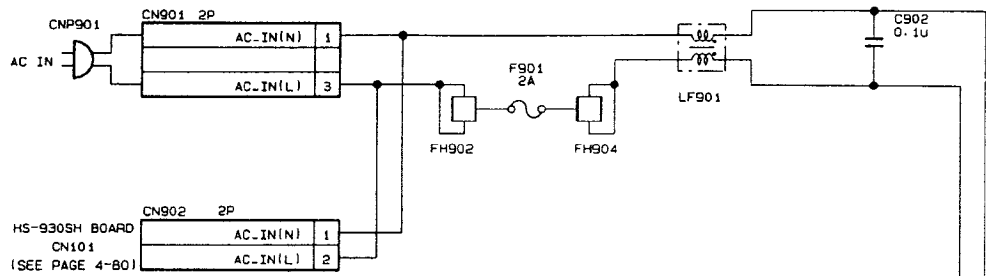
0+5V MB-78 BOARD(5/8-6/8)

TR MB-78 BOARD (1/8)

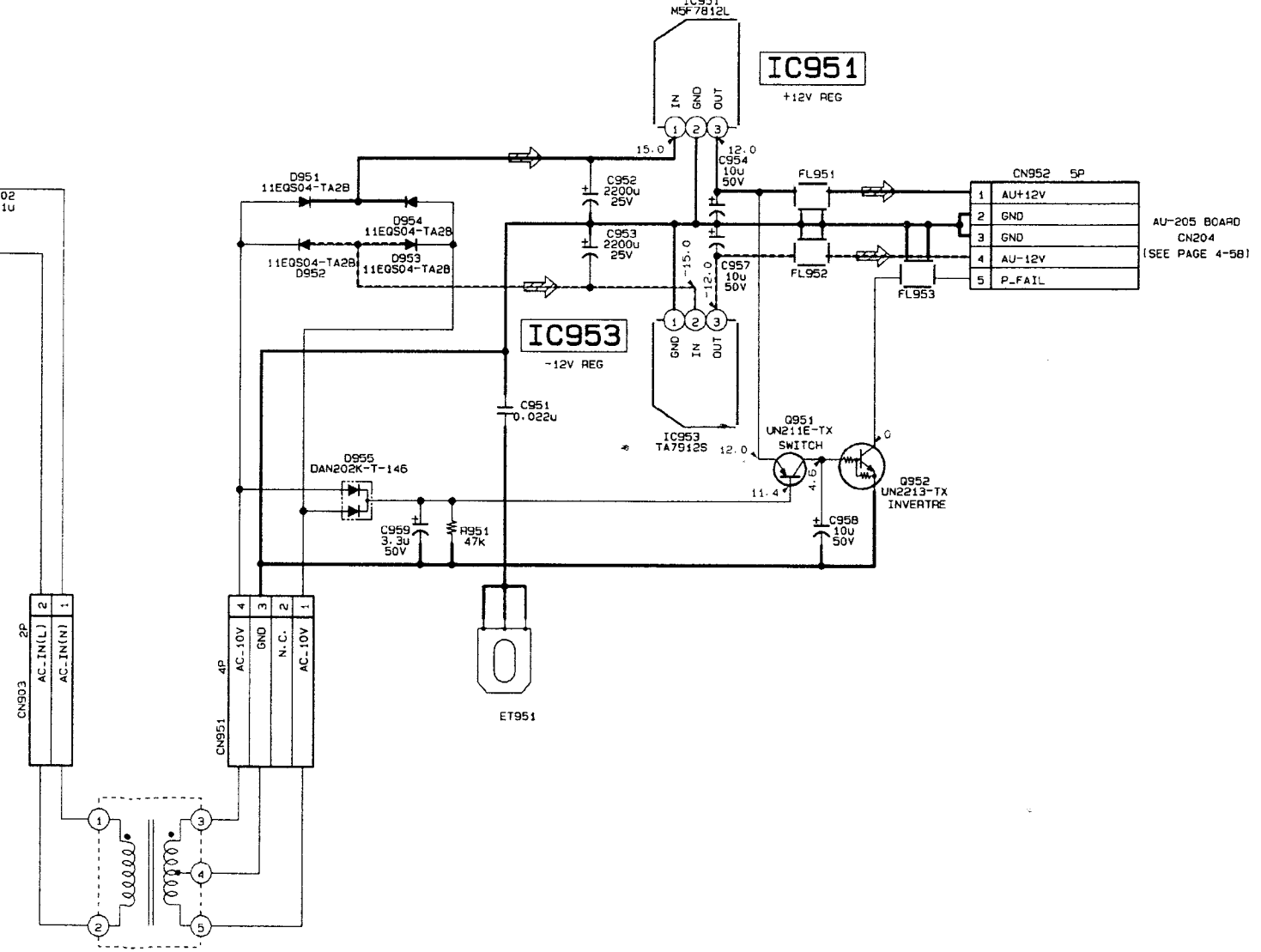
MB-78 BOARD(8/8)

no mark DVD play
CD:CD play



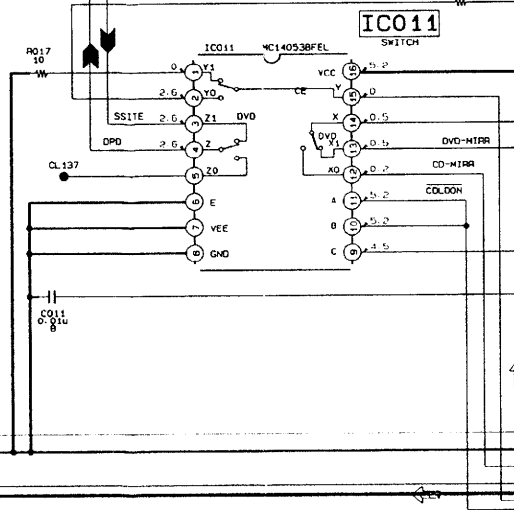
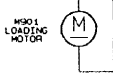
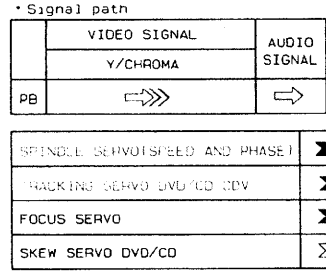
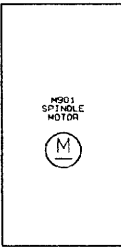
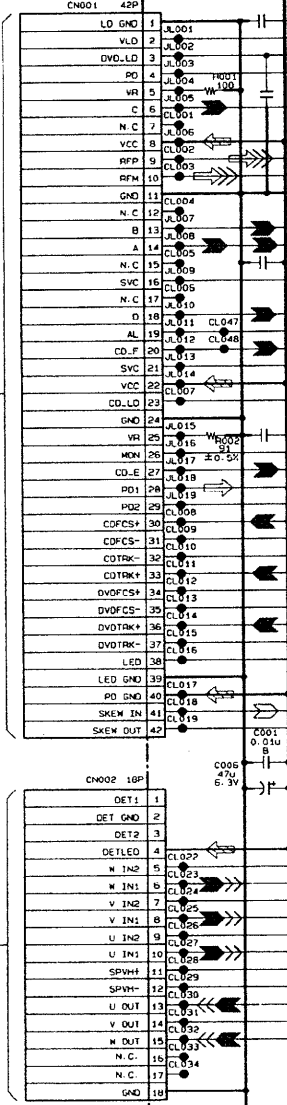
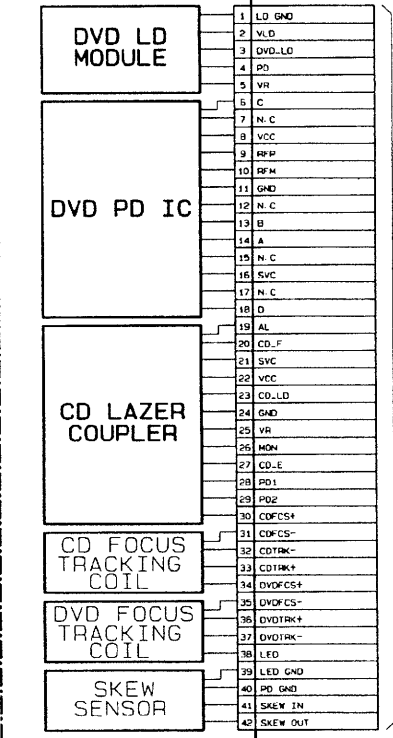


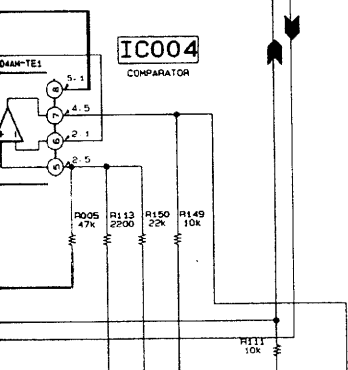
05



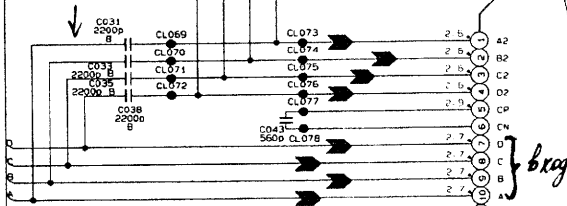
TK-47 BOARD

OPTICAL DEVICE KHS-180A/J1N



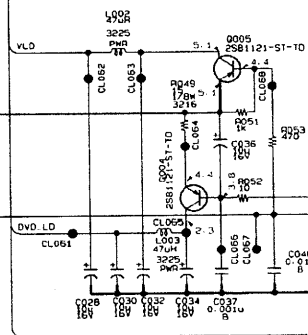


*Сиг. вычисления
тренинга*



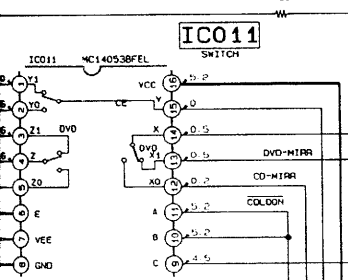
IC006
DIGITAL SERVO
DVD RF AMP
IC006
SS13P370A-CGT

RF-DVD



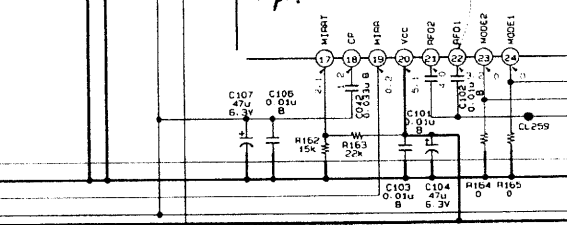
RF-CD

RF



*управл
от тренинга*

опора



*сигнал RF
для обработки*

