

1. PART LIST OF ADV1150			
0B10-EM650E-00		MAIN ASSEMBLY ESS DECODER + MEDIATEK SERVO FOR DVD	
Item	Part Number	Description	Quantity
			Remarks
1	4100-CA0000-T0	SMD RESISTOR 0 OHM 1/16W +/-5% (1.6 X 0.8mm) TAPE TYPE	10 R209,R223,R224,R225,R233,R235,R408,R1543,R1561,R1572
2	4100-CA0100-T0	SMD RESISTOR 1 OHM 1/16W +/-5% (1.6x0.8mm) TAPE TYPE	4 R1515,R1516,R1517,R1518
3	4100-CA1000-T0	SMD RESISTOR 10 OHM 1/16W +/-5% (1.6X0.8mm) TAPE TYPE	11 R218,R219,R259,R260,R410,R433,R435,R437,R439,R441,R443
4	4100-CA1020-T0	SMD RESISTOR 1K OHM 1/16W +/-5% (1.6 X 0.8mm) TAPE TYPE	6 R204,R205,R227,R230,R1529,R1530
5	4100-CA1030-T0	SMD RESISTOR 10K OHM 1/16W +/-5% (1.6 X0.8mm) TAPE TYPE	16 R411,R412,R414,R417,R420,R423,R426,R429,R1502,R1503,R1519,R1547,R1550,R1551,R1573,R1525
6	4100-CA1040-T0	SMD RESISTOR 100K OHM 1/16W +/-5% (1.6 X0.8mm) TAPE TYPE	12 R409,R432,R434,R436,R438,R440,R442,R1501,R1504,R1534,R1542,R1558
7	4100-CA1050-T0	SMD RESISTOR 1M OHM 1/16W +/-5% (1.6x0.8mm) TAPE TYPE	2 R1568,R459
8	4100-CA1060-T0	SMD RESISTOR 10M OHM 1/16W +/-5% (1.6x0.8mm) TAPE TYPE	1 R458
9	4100-CA1230-T0	SMD RESISTOR 12K OHM 1/16W +/-5% (1.6x0.8mm) TAPE TYPE	2 R1540,R1539
10	4100-CA1530-T0	SMD RESISTOR 15K OHM 1/16W +/-5% (1.6x0.8mm) TAPE TYPE	3 R1556,R1567,R1574
11	4100-CA1830-T0	SMD RESISTOR 18K OHM 1/16W +/-5% (1.6x0.8mm) TAPE TYPE	8 R416,R419,R422,R425,R428,R431,R1541,R1571
12	4100-CA2030-T0	SMD RESISTOR 20K OHM 1/16W +/-5% (1.6X0.8mm) TAPE TYPE	5 R1520,R1521,R1523,R1524,R1537
13	4100-CA2200-T0	SMD RESISTOR 22 OHM 1/16W +/-5% (1.6 X 0.8mm) TAPE TYPE	4 R1546,R1548,R1549,R1557
14	4100-CA2210-T0	SMD RESISTOR 220 OHM 1/16W +/-5% (1.6 X0.8mm) TAPE TYPE	3 R252,R1527,R1528,
15	4100-CA2220-T0	SMD RESISTOR 2.2K OHM 1/16W +/-5% (1.6 X0.8mm) TAPE TYPE	3 R228,R229,R451
16	4100-CA2730-T0	SMD RESISTOR 27K OHM 1/16W +/-5% (1.6 X0.8mm) TAPE TYPE	4 R1509,R1510,R1511,R1512
17	4100-CA3300-T0	SMD RESISTOR 33 OHM 1/16W +/-5% (1.6 X 0.8mm) TAPE TYPE	12 R211,R226,R232,R242,R244,R245,R246,R247,R248,R249,R250,R251
18	4100-CA3310-T0	SMD RESISTOR 330 OHM 1/16W +/-5% (1.6 X0.8mm) TAPE TYPE	2 R461,R457
19	4100-CA3320-T0	SMD RESISTOR 3.3K OHM 1/16W +/-1% (1.6x0.8mm) TAPE TYPE	6 R415,R418,R421,R424,R427,R430
20	4100-CA3330-T0	SMD RESISTOR 33K OHM 1/16W +/-5% (1.6 X0.8mm) TAPE TYPE	8 R1505,R1506,R1507,R1508,R1533,R1535,R1538,R1559
21	4100-CA3910-T0	SMD RESISTOR 390 OHM 1/16W +/-5% (1.6x0.8mm) TAPE TYPE	3 R1526,R1531,R1532
22	4100-CA3920-T0	SMD RESISTOR 3.9K OHM 1/16W +/-5% (1.6x0.8mm) TAPE TYPE	1 R267
23	4100-CA3930-T0	SMD RESISTOR 39K OHM 1/16W +/-5% (1.6x0.8mm) TAPE TYPE	4 R1536,R1545,R1563,R1570
24	4100-CA4700-T0	SMD RESISTOR 47 OHM 1/16W +/-5% (1.6X0.8mm) TAPE TYPE	1 R1554
25	4100-CA4710-T0	SMD RESISTOR 470 OHM 1/16W +/-5% (1.6 X0.8mm) TAPE TYPE	7 R413,R444,R445,R446,R447,R448,R449
26	4100-CA4720-T0	SMD RESISTOR 4.7K OHM 1/16W +/-5% (1.6 X0.8mm) TAPE TYPE	8 R201,R203,R206,R207,R210,R222,R236,R1555
27	4100-CA4730-T0	SMD RESISTOR 47K OHM 1/16W +/-5% (1.6 X0.8mm) TAPE TYPE	1 R1564
28	4100-CA5120-T0	SMD RESISTOR 5.1K OHM 1/16W +/-5% (1.6 X0.8mm) TAPE TYPE	2 R1566,R1565
29	4100-CA6800-T0	SMD RESISTOR 68 OHM 1/16W +/-5% (1.6X0.8mm) TAPE TYPE	1 R462
30	4100-CA6820-T0	SMD RESISTOR 6.8K OHM 1/16W +/-5% (1.6X0.8mm) TAPE TYPE	1 R450
31	4100-CA7500-T0	SMD RESISTOR 75 OHM 1/16W +/-5% (1.6X0.8mm) TAPE TYPE	6 R264,R265,R266,R268,R269,R270
32	4100-CA9100-T0	SMD RESISTOR 91 OHM 1/16W +/-5% (1.6X0.8mm) TAPE TYPE	1 R460
33	4100-CB0220-T0	SMD RESISTOR 2.2 OHM 1/8W +/-5% (0805 TYPE : 2 X 1.25mm) TAPE TYPE	1 R271
34	4100-CB2200-T0	SMD RESISTOR 22 OHM 1/8W +/-5% (0805 TYPE : 2 X 1.25mm) TAPE TYPE	2 R1513,R1514,

35	4100-CB2210-T0	SMD RESISTOR 220 OHM 1/8W +/-5% (2 X 1.25mm) TAPE TYPE	3	R1544,R1553,R1560
36	4100-JA1000-T4	SMD RESISTOR NETWORK (10 OHM X 4) 1/16W+/-5% (8P4R, 3.2 X 1.6mm) TPAE TY	4	RN208,RN209,RN210,RN211
37	4100-JA3300-T4	SMD RESISTOR NETWORK (33 OHM X 4) 1/16W+/-5% (8P4R,3.2 X 1.6mm)TAPE TY	7	RN1501,RN1502,RN1503,RN1504,RN1505,R1506,RN1507
38	4300-BB227E-00	ELECTROLYTIC CAPACITOR 220uF 10V +/-20%	7	C210,C211,C212,C476,C1559,C1560,C1561
39	4300-BC105E-00	ELECTROLYTIC CAPACITOR 1UF 16V +/-20%	6	C405,C406,C411,C412,C417,C418
40	4300-BC106E-00	ELECTROLYTIC CAPACITOR 10UF 16V +/-20%OR 4300-BD106E-00 OR 4300-BF106	28	C230,C231,C232,C233,C234,C254,C255,C256,C282,C293,C294,C408,C414,C420,C422,C423,C424,C425,C426,C427,C428,C460,C461,C464,C465,C468,C469,C1551
41	4300-BC107E-00	ELECTROLYTIC CAPACITOR 100UF 16V +/-20%	5	C229,C292,C1508,C1509,C1558
42	4300-BC227E-C0	ELECTROLYTIC CAPACITOR 220uF 16V +/-20%(FORMED, PITCH=5mm)	1	C473
43	4300-BC477E-C0	ELECTROLYTIC CAPACITOR 470uF 16V +/-20%(FORMED, PITCH=5mm)	1	C472
44	4300-BD476E-00	ELECTROLYTIC CAPACITOR 47UF 25V +/-20%	15	C451,C452,C453,C457,C458,C459,C1512,C1529,C1533,C1535,C1538,C1547,C1570,C1579,C1590
45	4300-CC105H-T1	SMD CERAMIC CHIP CAPACITOR 1uF 16V +80%-20% (2x1.25mm) TAPE TYPE	5	C1504,C1505,C1506,C1507,C1580
46	4300-CC473D-T2	SMD CERAMIC CHIP CAPACITOR 0.047uF 16V +/-10% (1.6x0.8mm)TAPE TYPE	1	C1578
47	4300-CD104H-T2	SMD CERAMIC CHIP CAPACITOR 0.1uF 50V +80 -20% (1.6 X 0.8mm) TAPE TYPE	103	C205,C206,C207,C208,C209,C215,C216,C217,C218,C219,C220,C221,C222,C224,C225,C226,C227,C228,C235,C236,C237,C238,C239,C240,C241,C242,C243,C244,C245,C246,C247,C248,C249,C250,C251,C252,C253,C283,C285,C291,C295,C296,C297,C298,C403,C404,C407,C409,C410,C413,C415,C416,C419,C421,C448,C449,C450,C454,C455,C456,C474,C475,C477,C1501,C1502,C1503,C1513,C1514,C1518,C1523,C1524,C1525,C1526,C1527,C1528,C1534,C1536,C1539,C1545,C1546,C1548,C1549,C1550,C1552,C1553,C1554,C1555,C1556,C1557,C1562,C1563,C1564,C1565,C1566,C1571,C1572,C1576,C1577,C1589,C1591,C1592,C1593,C1594
48	4300-CF102D-T2	SMD CERAMIC CHIP CAPACITOR 0.001uF 50V +/-10% (1.6 X 0.8mm) TAPE TYPE	11	C1530,C1531,C1540,C1544,C1575,C430,C432,C434,C438,C44
49	4300-CF103D-T2	SMD CERAMIC CHIP CAPACITOR 0.01uF 50V +/-10% (1.6 X 0.8mm) TAPE TYPE	1	C1583
50	4300-CF153E-T2	SMD CERAMIC CHIP CAPACITOR 0.015uF 50V+/-20% (1.6x0.8mm) TAPE TYPE	2	C1517,C1588
51	4300-CF221D-T2	SMD CERAMIC CHIP CAPACITOR 220PF 50V +/-10% (1.6 X 0.8mm) TAPE TYPE	12	C264,C266,C267,C269,C270,C272,C273,C275,C276,C278,C279,C281
52	4300-CF472D-T2	SMD CERAMIC CHIP CAPACITOR 0.0047uF 50V+/-10% (1.6 X 0.8mm) TAPE TYPE	1	C1520
53	4300-CF683D-T2	SMD CERAMIC CHIP CAPACITOR 0.068uF 50V +/-10% (1.6x0.8mm) TAPE TYPE	6	C436,C437,C440,C441,C444,C445
54	4300-NF100J-T2	SMD NPO CERAMIC CHIP CAPACITOR 10PF 50V+/-0.25PF (1.6x0.8mm) TAPE TYPE	3	C1532,C1537,C1582
55	4300-NF101C-T2	SMD NPO CERAMIC CHIP CAPACITOR 100PF 50V+/-5% (1.6 X 0.8mm) TAPE TYPE	1	C1541
56	4300-NF150C-T2	SMD NPO CERAMIC CHIP CAPACITOR 15PF 50V+/-5% (1.6 X 0.8mm) TAPE TYPE	1	C261
57	4300-NF151C-T2	SMD NPO CERAMIC CHIP CAPACITOR 150PF 50V+/-5% (1.6 X 0.8mm)TAPE TYPE	9	C431,C433,C435,C439,C443,C447,C1510,C1511,C1543
58	4300-NF200C-T2	SMD NPO CERAMIC CHIP CAPACITOR 20PF 50V+/-5% (1.6x0.8mm)TAPE TYPE	5	C1567,C1568,C1569,,C1573,C1574
59	4300-NF220C-T2	SMD NPO CERAMIC CHIP CAPACITOR 22PF 50V+/-5% (1.6 X 0.8mm) TAPE TYPE	14	C201,C265,C268,C271,C274,C277,C280,C429,C462,C463,C466,C467,C470,C471
60	4300-NF331C-T2	SMD NPO CERAMIC CHIP CAPACITOR 330PF 50V+/-5% (1.6 X 0.8mm)TAPE TYPE	4	C202,C1584,C1585,C1586
61	4300-NF391C-T2	SMD NPO CERAMIC CHIP CAPACITOR 390PF 50V+/-5% (1.6x0.8mm)TAPE TYPE	5	C1515,C1516,C1519,C1521,C1522

62	4300-NF470C-T2	SMD NPO CERAMIC CHIP CAPACITOR 47PF 50V+/-5% (1.6 X 0.8mm)TAPE TYPE	2	C1542,C1581
63	4500-141481-00	NORMAL RECTIFIER DIODE 1N4148 150MA/100V	15	D201,D202,D203,D204,D205,D206,D207,D208,D209,D210,D211,D212, D404,D405,D1503
64	4600-S90140-00	TRANSISTOR S9014C/D	7	Q422,Q413,Q414,Q415,Q416,Q417,Q418
65	4607-S80500-00	TRANSISTOR SS8050 SAMSUNG	5	Q202,Q1512,Q1511,Q1508,Q1524,
66	4607-S85500-00	TRANSISTOR SS8550 SAMSUNG	5	Q419,Q1506,Q1507,Q1509,Q1510
67	4600-K30180-T0	TRANSISTOR 2SK3018 (30V, 0.1A SMD PACKAGE) TAPE TYPE	2	Q1525,Q1526
68	4707-T45580-08	I.C. TJM4558CD SGS (WIDE BANDWIDTH AMPLIFIERS)	3	IC423,IC424,IC425
69	471N-V63000-05	I.C. V6300 EM(ULTRA LOW POWER VOLTAGE SURVEILLANCE W/TIME-OUT)SM	1	IC209
70	471Z-B29040-32	I.C. BM29F040-90NC BRIGHT (4M-BIT ERASECMOS FLASH MEMORY) DIP PACKA	1	IC206
71	4722-C74040-14	I.C. SN74HCU04 TEXAS INSTRUMENTS HEX INVERTERS (FK PACKAGE)	1	IC427
72	4727-A24C01-08	I.C. AT24C01A-10SC ATMEL (1K 2-WIRE SERIAL EEPROM) 8 PIN SOIC PACKAGE	1	IC202
73	4762-E44080-K8	I.C. SWAN(TM) ES4408 ESS (DVD PROCESSORCHIP) 208 PIN PQFP PACKAGE	1	IC201
74	4783-C43400-16	I.C. CS4340-KS CRYSTAL(24-BIT,96KHz STEREO DAC FOR AUDIO)SOIC PACKAGE	3	IC210,IC211,IC212
75	4783-C49550-48	I.C. CS4955-CQ CRYSTAL (NTSC/PAL DIGITAL VIDEO ENCODER)TQFP PACKAGE	1	IC214
76	472H-M13660-A0	I.C. MT1366F	1	IC1515
77	472H-M13880-K8	I.C. MT1388E	1	IC1517
78	4740-A59540-28	I.C. BA5954FP	1	IC1518
79	4737-W27C00-32	I.C. W27C010(PLCC PACKAGE)	1	IC1520
80	4700-256160-40	I.C. 256K X 16BIT CMOS/EDO DRAM	1	IC1521
81	471D-M11170-03	I.C. AMS1117-3.3 AMS(800mA LOW DROPOUT VOLTAGE REGULATOR)SMD SOT-	1	IC1516
82	4792-M16161-50	I.C. M12L16161A-7T ELITE (512Kx16BITx2 BANKS SDRAM) TSOP(II) PACKAGE	2	IC203,IC204
83	4800-010180-00	PEAKING COIL 1.8UH +/-10%	6	L203,L204,L205,L206,L207,L208
84	4800-010330-00	PEAKING COIL 3.3UH +/-10%	1	L1509
85	4800-011000-00	PEAKING COIL 10uH +/-10%	2	L1502,L1501
86	4900-133862-02	CRYSTAL 33.8688MHz HC-49S CL:16PFPAL M	1	Y1501
87	4900-127058-00	CRYSTAL CLOCK OSCILLATOR 27.000MHz 8PINDIP	1	IC208
88	5400-990105-24	FFC/FPC CONNECTOR 24 PIN PITCH=0.5mm (SMD PACKAGE)	1	CN1501
89	5400-925000-03	WAFER 2.5mm H X 3 PIN	1	CN209*
90	5400-925000-05	WAFER 2.5mm H X 5 PIN	1	CN207*
91	5400-925000-07	WAFER 2.5MM H X 7 PIN	1	CN206*
92	5400-925000-10	WAFER 2.5MM H X 10 PIN	1	CN205
93	5400-985000-05	WAFER 2MM H X 5 PIN	1	CN1502
94	5400-985000-06	WAFER 2MM H X 6 PIN	1	CN204
95	5400-985000-09	WAFER 2mm H X 9 PIN	1	CN1503
96	5500-110150-00	TACT SWITCH VERTICAL TYPE H = 5mm KPT-1105A 4 PINS	1	S1501
97	5301-051320-00	FIBER-OPTIC FOR DIGITAL AUDIO INTERFACEGP1F32T OR GP1FA550TZ	1	CP405*
98	5800-TCB016-00	DECODER P.C.BOARD 108 X 176 X 1.6mm FOR DVD-ESS-MEDIATEK (DOUBLE SII	1	(深圳若美电子有限公司)
99	6100-161351-41	RCA JACK H=13.5mm W/MOUNTING BOSS YELLOWH-TYPE W/SHIELD PLATE	1	CP404
100	6100-163015-62	RCA JACKx3 H-TYPE W/SIDE MTG. BOSS/SHILED PLATE PITCH=14mm GREEN,BI	1	CP201*
101	6100-166298-01	RCA JACKx6 H-TYPE (RED,WHITE,GREY)X2 FORPCB-MTG PITCH=14mm W/SHIEL	1	CP403
102	6100-171600-00	Y/C SOCKET + RCA JACK YELLOW H=34.5mm W/MOUNTING BOSS	1	CP202

103	6400-020501-00	FERRITE BEAD 3.5 X 1 X 5mm W/JUMPER	7	FB205,FB206,FB407,FB1501,FB1502,FB1503,FB1504
104	6400-012221-T0	SMD FERRITE BEAD (2x1.25mm) TAPE TYPE Z=100MHz/220 OHM +/-25%	4	R1552,R1575,R272,R407
105	6100-010320-00	IC SOCKET 32 PINS DIP SOLDER TYPE 2.54mmW/O BAR	1	FOR IC206
0DD0-HH0001-00 DVD LOADER MODULE FOR DVD				
Item	Part Number	Description	Quantity	Remarks
1	5335-103300-01	DVD TRAY LOADER SANYO DV33FS	1	
2	5400-321182-09	HOUSING 09 + HOUSING 09(PHx2) + 180mm FLAT CABLE UL20080 AWG28	1	FROM LOADER TO MPEG BOARD
3	5400-320262-05	HOUSING 05 + HOUSING 05 (PHX2) + 260mm FLAT CABLE UL2468 AWG26	1	FROM LOADER TO MPEG BOARD
4	5900-F20203-24	FILM FLAT CABLE 24 PIN PITCH=0.5mm L=190mm + 5mm + 5mm	1	FROM LOADER TO MPEG BOARD
0ED0-D1150E-00 CONTROL ASSEMBLY FOR ADV1150				
Item	Part Number	Description	Quantity	Remarks
1	4100-AD1030-T0	CARBON FILM RESISTOR 10K OHM 1/4W +/-5%(TAPE TYPE)	2	R010,R011
2	4100-AD2720-T0	CARBON FILM RESISTOR 2.7K OHM 1/4W +/-5% (TAPE TYPE)	1	R012
3	4100-AD3330-T0	CARBON FILM RESISTOR 33K OHM 1/4W +/-5% (TAPE TYPE)	9	R001,R002,R003,R004,R005,R006,R007,R008,R009
4	4200-310320-03	ROTARY VOLUME RESISTOR 10KB +/-20%(V) 20mm FOR VCD-300	2	VR001,VR002
6	4300-AF104H-T0	CERAMIC CAPACITOR 0.1UF 50V +80-20% (TAPE TYPE)	4	C001,C003,C004,C006
7	4300-BC107E-T0	ELECTROLYTIC CAPACITOR 100UF 16V +/-20% (TAPE TYPE)	2	C002,C005
8	4500-141481-T0	NORMAL RECTIFIER DIODE 1N4148 150MA/100V (TAPE TYPE)	2	D001,D003
9	4742-PT6312-44	I.C. PT6312LQ (VACUUM FLUORESCENT DISPLAY CONTROLLER DRIVER)	1	IC001
10	5300-142711-00	INFRARED RECEIVER MODULE 38KHz GPIU271R90 DEGREE PIN TYPE	1	IC002
11	5400-420202-06	90 DEGREE PIN 06 + HOUSING 06 + 200mm FLAT CABLE UL2468 AWG26	1	FROM J003 TO MPEG
12	5400-421122-05	90 DEGREE PIN 05 + HOUSING 05 + 120mm FLAT CABLE UL2468 AWG26(1TO3,2TO3)	1	FROM J001 TO KARAOKE
13	5401-420132-04	90 DEGREE PIN 04 + HOUSING 04 (TJC3) + 130mm FLAT CABLE UL2468 AWG26	1	FROM J001 TO POWER
14	5500-110150-00	TACT SWITCH VERTICAL TYPE H = 5mm KPT-1105A 4 PINS	8	SW001,SW002,SW003,SW004,SW005,SW006,SW007,SW008
15	5700-150120-00	LED LIGHT EMISSION 3.1mm RED LONG LEAD	1	D002
16	5714-06SS51-00	VACUUM FLUORESCENT DISPLAY HNV-06SS51	1	VFD001
17	5800-TCD024-00	CONTROL P.C.BOARD 415 X62 X 1.6mm FOR DVD-1150S	1	
18	5900-B90118-01	MULTI TWIST WIRE AWG18 UL1007 BLACK 90mmW/SOLDERING PLATE	2	FOR GND
19	5900-G40106-00	COPPER JUMPER 0.6MM DIA. L=40mm	3	JMP001,JMP002,JMP003
0GD0-000001-00 HANDSET ASSEMBLY(HS09) FOR DVD				
Item	Part Number	Description	Quantity	Remarks
1	4100-AD0100-00	CARBON FILM RESISTOR 1 OHM 1/4W +/-5%	1	R801
2	4100-AD1040-00	CARBON FILM RESISTOR 100K OHM 1/4W +/-5%	1	R802
3	4300-AF101C-00	CERAMIC CAPACITOR 100PF 50V +/-5%	2	C802,C803
4	4300-BA476E-02	ELECTROLYTIC CAPACITOR 47UF 4V-6.3V +/-20% (4 x 5mm)	1	C801

5	4500-141481-00	NORMAL RECTIFIER DIODE 1N4148 150MA/100V	1	D802
6	4500-800103-00	INFRARED DIODE	1	D801
7	4600-C21200-00	TRANSISTOR 2SC2120Y	1	Q801
8	4725-PT2222-24	INFRARED REMOTE CONTROL TRANSMITTER PT2222	1	IC801
9	4900-245532-00	CERAMIC RESONATOR 455KHz TW455E FOR HANDSET	1	X801
10	5800-FTW002-00	HANDSET P.C.BOARD 197 X 47 X 1.6mm HS09MODEL FOR TV, DVD	1	
11	5900-G40106-00	COPPER JUMPER 0.6MM DIA. L=40mm	1	J801
01D0-H0650E-00 HEADPHONE ASSEMBLY FOR ADV1150				
Item	Part Number	Description	Quantity	Remarks
1	4100-AD1030-00	CARBON FILM RESISTOR 10K OHM 1/4W +/-5%	6	R901,R905,R907,R908,R911,R912
2	4100-AD2730-00	CARBON FILM RESISTOR 27K OHM 1/4W +/-5%	2	R902,R913
3	4100-DG1010-01	METAL OXIDE FILM RESISTOR 100 OHM 1W+/-5%	2	R906,R909
4	4200-510320-00	ROTARY VOLUME RESISTOR 10KBX2(H) 20mm +/-20%	1	VR901
5	4300-AF101C-00	CERAMIC CAPACITOR 100PF 50V +/-5%	2	C904,C906
6	4300-BC105E-00	ELECTROLYTIC CAPACITOR 1UF 16V +/-20%	4	C902,C903,C905,C907
7	4300-BC107E-00	ELECTROLYTIC CAPACITOR 100UF 16V +/-20%	1	C910
8	4300-BC476E-00	ELECTROLYTIC CAPACITOR 47UF 16V +/-20%	3	C901,C908,C909
9	4600-C23830-00	TRANSISTOR 2SC2383-O	2	Q901,Q902
10	4740-A15218-08	I.C. BA15218 ROHM (OPERATIONAL AMPLIFIER)	1	IC901
11	5401-021422-04	PIN 04 + HOUSING 04 (TJC3) + 420mm FLATCABLE UL2468 AWG26	1	CP901
12	5800-TCM024-00	HEADPHONE JACK P.C.BOARD 82 X 55 X 1.6mm FOR DVD-852E	1	
13	5900-G40106-00	COPPER JUMPER 0.6MM DIA. L=40mm	3	J901,J902,J903
14	6100-020007-00	EARPHONE JACK 6.35mm FOR VCD	1	M901
1GD0-P00001-02 POWER ASSEMBLY FOR DVD-ESS-MEDIATEK (FAIRCHILD I.C. 5L0380R)				
Item	Part Number	Description	Quantity	Remarks
1	4100-AD1000-T0	CARBON FILM RESISTOR 10 OHM 1/4W +/-5% (TAPE TYPE)	2	R614,R616
2	4100-AD1020-T0	CARBON FILM RESISTOR 1K OHM 1/4W +/-5% (TAPE TYPE)	6	R604,R606,R607,R609,R610,R611
3	4100-AD1030-T0	CARBON FILM RESISTOR 10K OHM 1/4W +/-5%(TAPE TYPE)	1	R612
4	4100-AD2210-T0	CARBON FILM RESISTOR 220 OHM 1/4W +/-5% (TAPE TYPE)	1	R605
5	4100-AD3910-T0	CARBON FILM RESISTOR 390 OHM 1/4W +/-5% (TAPE TYPE)	2	R613,R618
6	4100-AD5600-T0	CARBON FILM RESISTOR 56 OHM 1/4W +/-5% (TAPE TYPE)	1	R603
7	4100-AD7510-T0	CARBON FILM RESISTOR 750 OHM 1/4W +/-5% (TAPE TYPE)	1	R619
8	4100-AF1010-T0	CARBON FILM RESISTOR 100 OHM 1/2W +/-5% (TAPE TYPE)	1	R617
9	4100-AF5610-T0	CARBON FILM RESISTOR 560 OHM 1/2W +/-5% (TAPE TYPE)	1	R615
10	4100-DH0220-01	METAL OXIDE FILM RESISTOR 2.2 OHM 2W+/-5%	1	R608*
11	4100-DH2040-01	METAL OXIDE FILM RESISTOR 200K OHM 2W+/-5%	1	R601
12	4100-DH6830-01	METAL OXIDE FILM RESISTOR 68K OHM 2W +/-5%	1	R602
13	4300-AF102D-T0	CERAMIC CAPACITOR 0.001UF 50V +/-10% (TAPE TYPE)	2	C618,C619

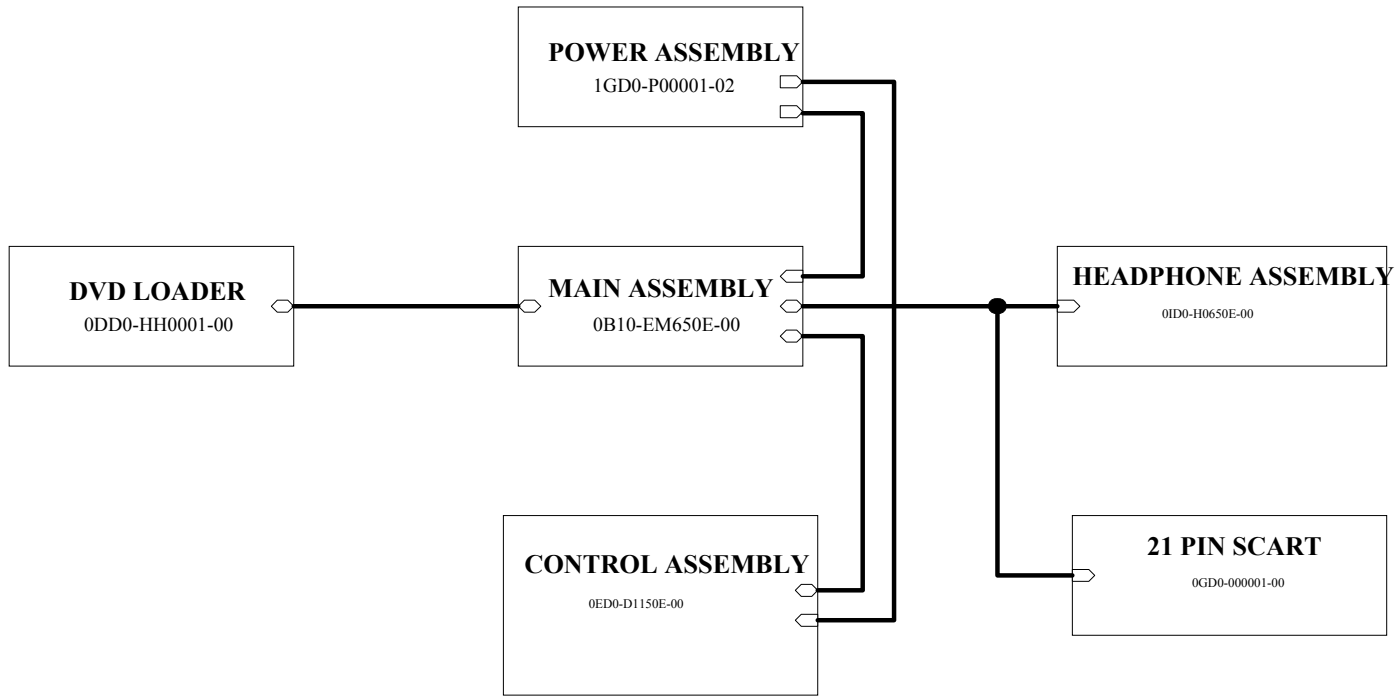
14	4300-AF104H-T0	CERAMIC CAPACITOR 0.1UF 50V +80-20% (TAPE TYPE)	6	C605,C607,C610,C611,C612,C613
15	4300-AR103E-00	CERAMIC CAPACITOR 0.01uF 1KV +/-20%	1	C604
16	4300-BC228E-01	ELECTROLYTIC CAPACITOR 2200UF 16V +/-20%(105DEGREE)	1	C620
17	4300-BC477E-T0	ELECTROLYTIC CAPACITOR 470UF 16V +/-20% (TAPE TYPE)	4	C617,C621,C622,C626
18	4300-BD108E-00	ELECTROLYTIC CAPACITOR 1000UF 25V +/-20%	1	C616
19	4300-BD227E-T0	ELECTROLYTIC CAPACITOR 220UF 25V +/-20% (TAPE TYPE)	3	C623,C624,C625
20	4300-BE107E-T0	ELECTROLYTIC CAPACITOR 100uF 35V +/-20% (TAPE TYPE)	2	C614,C615
21	4300-BE476E-T0	ELECTROLYTIC CAPACITOR 47UF 35V +/-20%TAPE TYPE)	1	C606
22	4300-BL686E-00	ELECTROLYTIC CAPACITOR 68uF 400V +/-20%	1	C603*
23	4300-FW104D-00	AC CAPACITOR 0.1UF AC250V-500V +/-10%	2	C601,C602
24	4300-SX222E-00	SAFETY CERAMIC CAPACITOR 0.0022uF AC250V-400V +/-20%	2	C608,C609
25	4500-140070-T0	NORMAL RECTIFIER DIODE 1N4007 (TAPE TYPE)	5	D601,D602,D603,D604,D605
26	4500-400051-T0	ZENER DIODE 5V1 1/2W (TAPE TYPE)	1	D608
27	4500-215700-T0	HIGH SPEED RECTIFIER DIODE BA157 400V/1A(TAPE TYPE)	4	D606,D609,D612,D613
28	4500-2EG50D-00	HIGH SPEED RECTIFIER DIODE EGP50D 200V/5A	2	D610,D611
29	471S-H81700-04	I.C. H11A817 QT (PHOTO TRANSISTOR) DIP PACKAGE	1	IC602
30	4780-K03800-04	I.C. KA5L0380R-YDTU FAIRCHILD (POWER SWITCH) TO-220F-4L (FORMING)	1	IC601
31	4780-K431Z0-03	I.C. KA431Z FAIRCHILD (ADJUSTABLE REGULATOR) TO-92	1	IC603
32	4800-020203-00	CHOKE COIL 20uH +/-10% 2UEW=0.35mm T=15I=0.5A	2	L605,L606
33	4800-020203-01	CHOKE COIL 20uH +/-10% 2UEW=0.75mm T=19I=2A	2	L602,L603
34	4800-064005-01	AC LINE FILTER 40mH X 2 +/-20% 2UEW=0.25mm T=112	1	LF601
35	5100-062801-09	SWITCHING TRANSFORMER BCK2801-261 AC INPUT 85-265V	1	T601
36	5400-270252-03	HOUSING 03(7.92mm)+250mmx2,1=RED,2=NIL,3=BLACK,UL1007 AWG18	1	CN602
37	5400-925000-04	WAFER 2.5MM H X 4 PIN	1	CN606
38	5401-020352-10	HOUSING 10(TJC3) + PIN10 + 350mm FLAT CABLE UL2468 AWG26	1	CN603
39	5400-970001-02	WAFER 7.92mm PITCH PIN DIA. 1.14mm 2 PIN	2	CN601,CN602
40	5500-020106-00	MAIN POWER SWITCH KDC-A06 AC250V/5A FORVCD	1	SW601
41	5800-TDP004-00	POWER P.C.BOARD 100 X 160 X 1.6mm FOR DVD FAIRCHILD IC	1	
42	5900-A21300-00	AC LINE CORD 2100mm W/O HOLDER CSA PLUGCHINA STANDARD FOR VCD	1	CN601*
43	5900-G40106-00	COPPER JUMPER 0.6MM DIA. L=40mm	10	J601,J602,J603,J604,J605,J606,J607,J608,J609,J610
44	6001-200001-00	FUSE T2A 250V W/APPROVAL MARKING HOLLYLAND	1	F601
45	6400-020501-00	FERRITE BEAD 3.5 X 1 X 5mm W/JUMPER	1	L601

2ID0-000001-00 ACCESSORY ASSEMBLY FOR DVD

Item	Part Number	Description	Quantity	Remarks
1	5900-V15001-01	RCA TO RCA JACK VIDEO CABLE 1500mm YELLOW	1	*
2	5900-V15001-02	RCA TO RCA JACK AUDIO CABLE 1500mm X 2 RED, WHITE	1	*
	* maybe change			

Specifications of DVD(5.1ch)

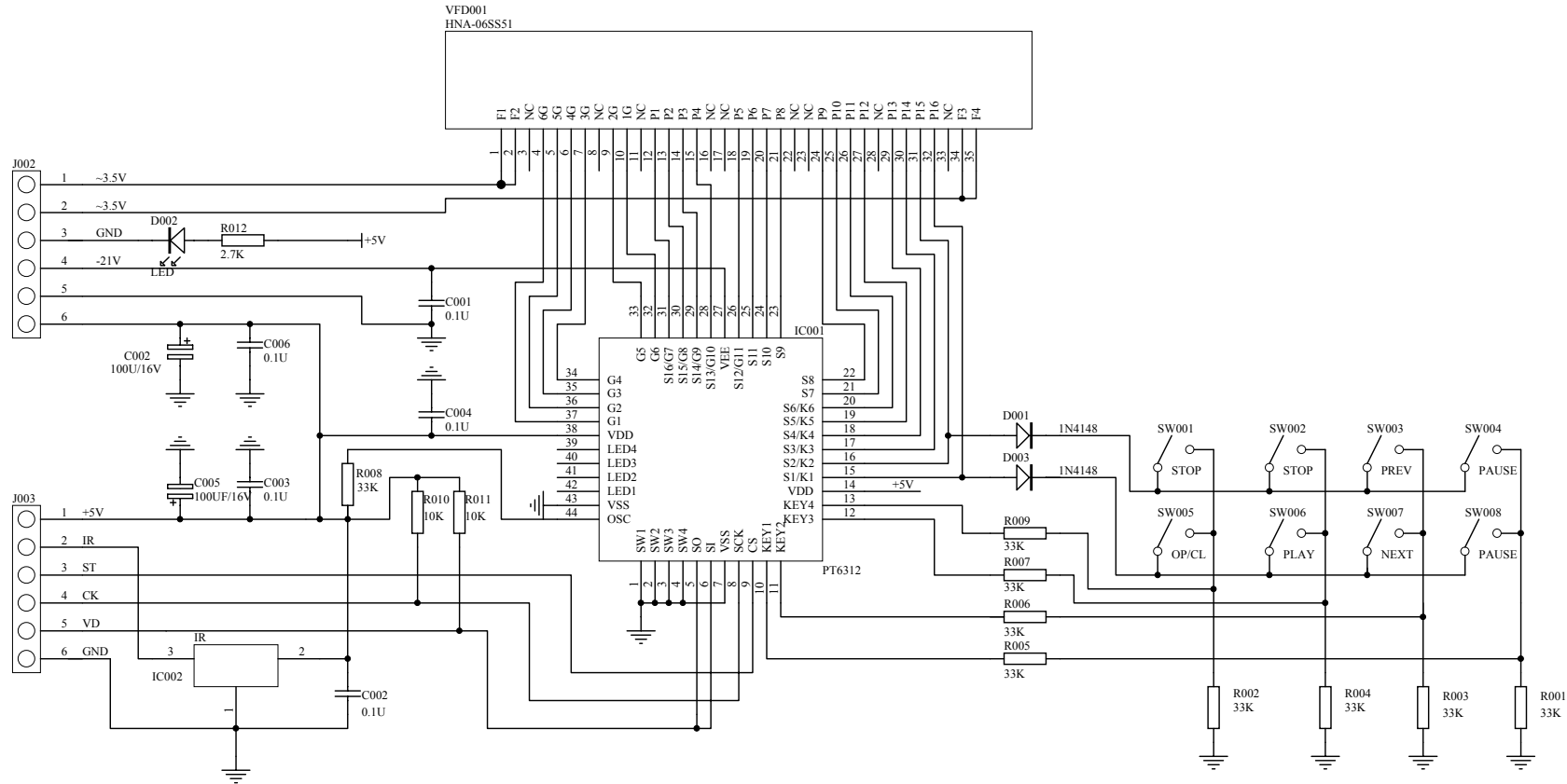
- Format: Support DVD Video, Super-VCD, VCD1.1, VCD2.0, CD-DA, CD-R/RW, MP3
- Standards: Video system NTSC, PAL
Audio system PCM(44.1, 48 or 96KHz), 2-channel MPEG Layer2, 5.1 channel AC-3.
- Features: Standby power
VFD display
Infrared remote
Composite, S-video and Y, U, V, output
2-channel analog stereo out
IEC958 optical digital audio output
Karaoke (key up/down, level up/down)
Password-protected Parental Control
CSS-encrypted disc play
Scart out
2 MIC inputs or Headphone out
- Power: Input range: 85~240VAC 50-60Hz, 30W MAX
- Performance: Video: DAC resolution: 10bits, all outputs
Noise: -55dB
Nominal Output load: 75 ohms, all outputs
Composite Video Level: 1Vp-p into 75ohms(NTSC)
S-video Level: Y: 1Vp-p into 75 ohms
C: 0.4Vp-p into 75 ohms
Audio: Line Level: 0dB=2Vrms into 10K ohms
Frequency response: 20Hz~20kHz
S/N ratio: 90dB
Dynamic range: 80dB(1kHz)
THD+N: 80dB(1kHz)



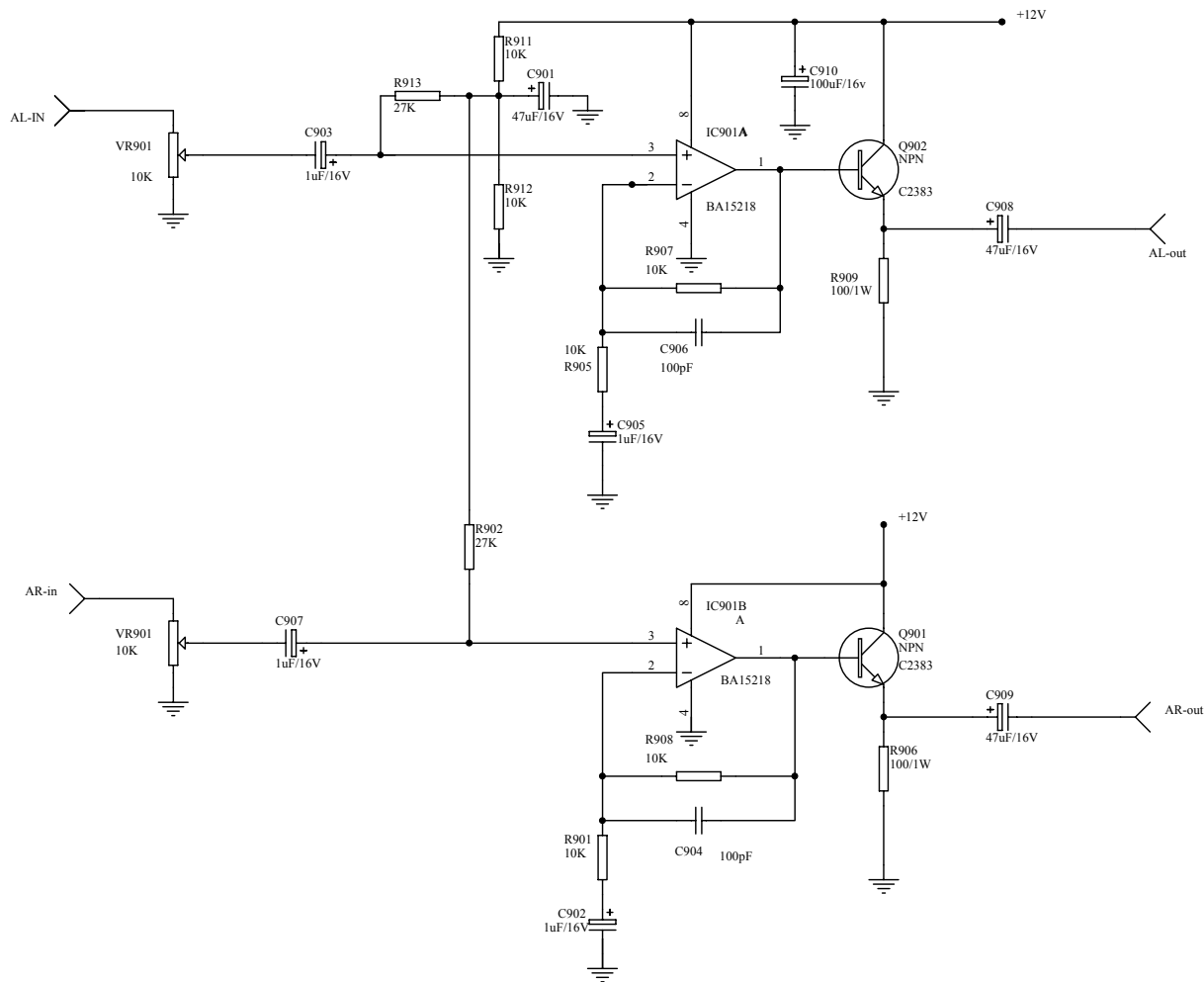
AKAI

Title			CIRCUIT DIADRAM OF DVD		
Size	Number	Revision			1.0
B					
Date:	5-Nov-2001	Sheet of			
File:	D:\MYDOCU-1\SERVICE\2IN1\19081-3	Drawn By:			

0ED0-D1150E-00



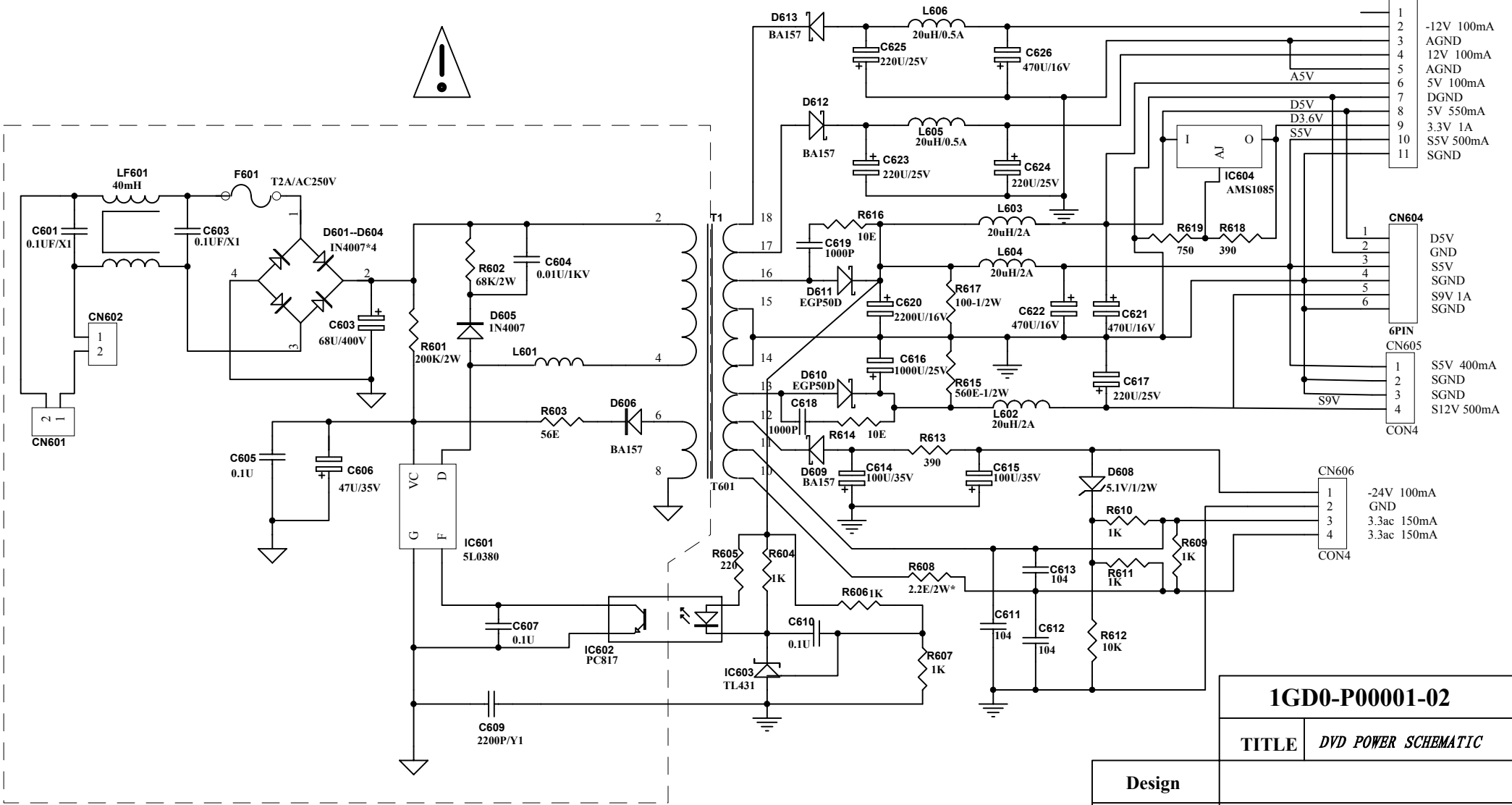
0ED0-D1150E-00	
TITLE	<i>DVD-1150B CONTROL SCHEMATIC</i>
Design	
Check	
Approval	
AKAI	



AKAI

Title		HEADPHONE SCHEMATIC OF DVD	
Size	Number	Revision	
B		1.0	
Date:	5-Nov-2001	Sheet of	1/1
File:	D:\DESIGN\OUT\PHONE--1\HP.SCH	Drawn By:	

1GDO-P00001-02



1GDO-P00001-02

TITLE DVD POWER SCHEMATIC

Design	
Check	
Approval	
	AKAI

SWAN ES4408

LCEx#	FUNCTION
0	
1	IO EXPAND
2	IO EXPAND
3	ROM/FLASH

AUXx	FUNCTION
0	I2C DATA/VFD DATA
1	I2C CLOCK
2	FLASH VPP CONTROL
3	MIC MUTE
4	INTERRUPT
5	AUDIO DEMO
6	VFD CS#
7	VFD CLK

ESS ES4408 + MTK MT1388E

PAGE	
1	INDEX
2	SWAN ES4408 CHIP
3	MEMORY - SDRAM, ROM & SRAM
4	DVD DRIVE INTERFACE
5	CLOCK CIRCUIT
6	VIDEO ENCODER
7	6-CHANNEL AUDIODAC
8	MT1388E
9	AUDIO FILTER
10	AUDIO CONNECTORS
11	VIDEO CONNECTORS

GROUND

NAME	TYPE
GND	DIGITAL GROUND
GNDV	VIDEO GROUND

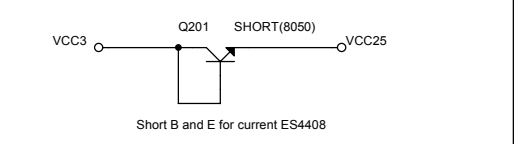
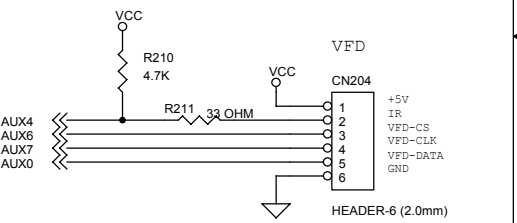
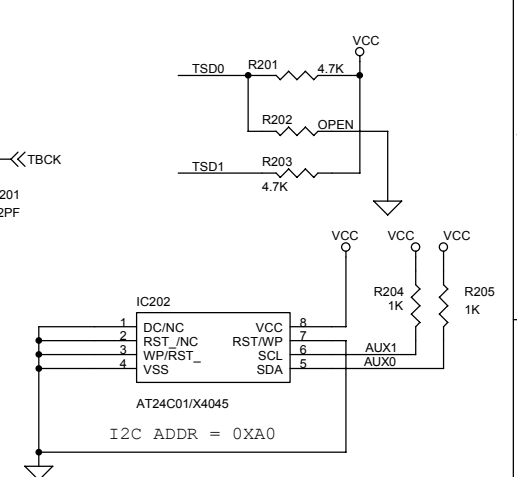
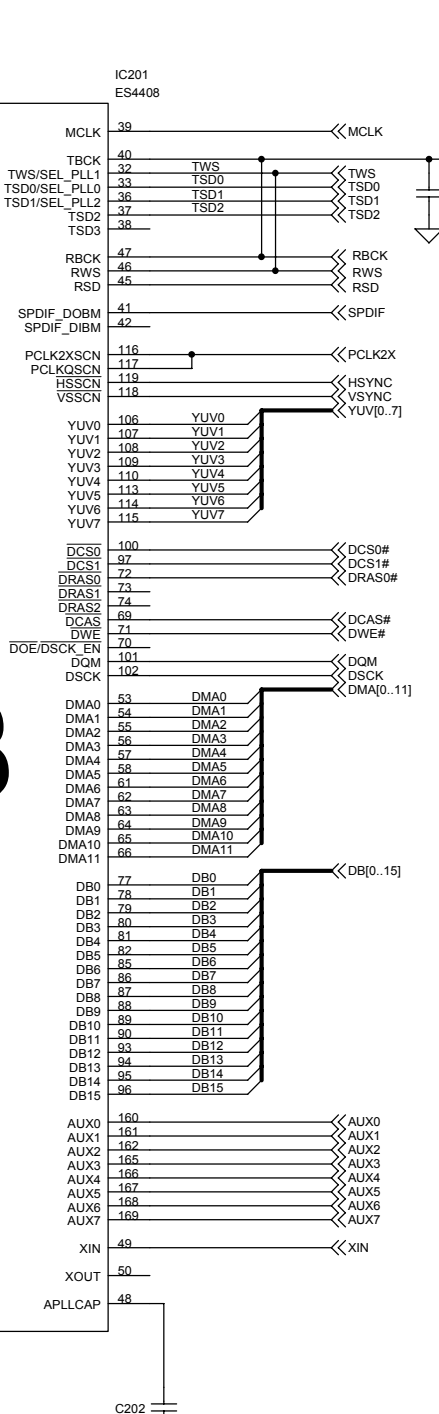
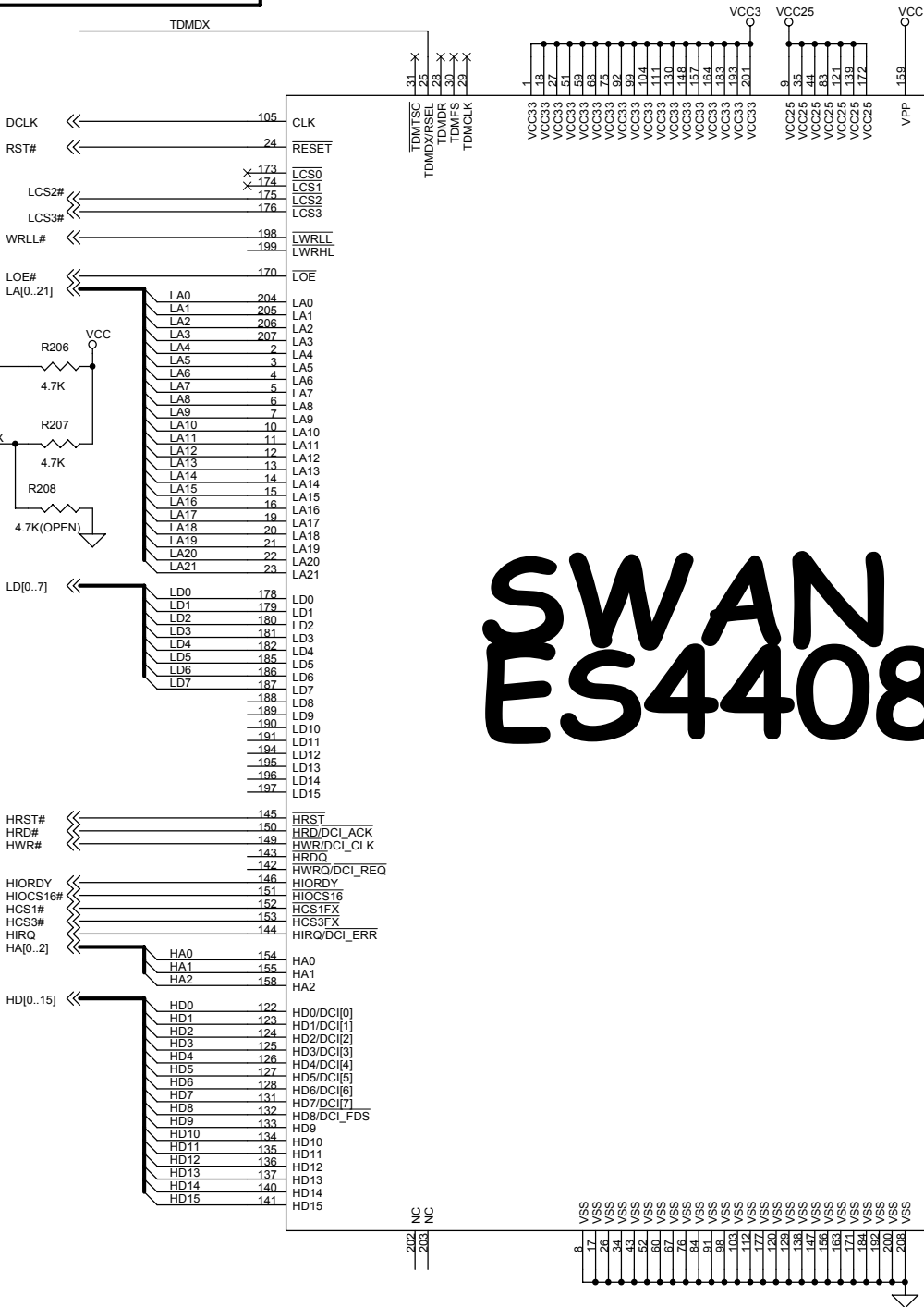
POWER

NAME	TYPE	DEVICE
VCC	DIGITAL 5V	SUPPLY
VCC3	DIGITAL 3.6V	ES4408, SDRAM

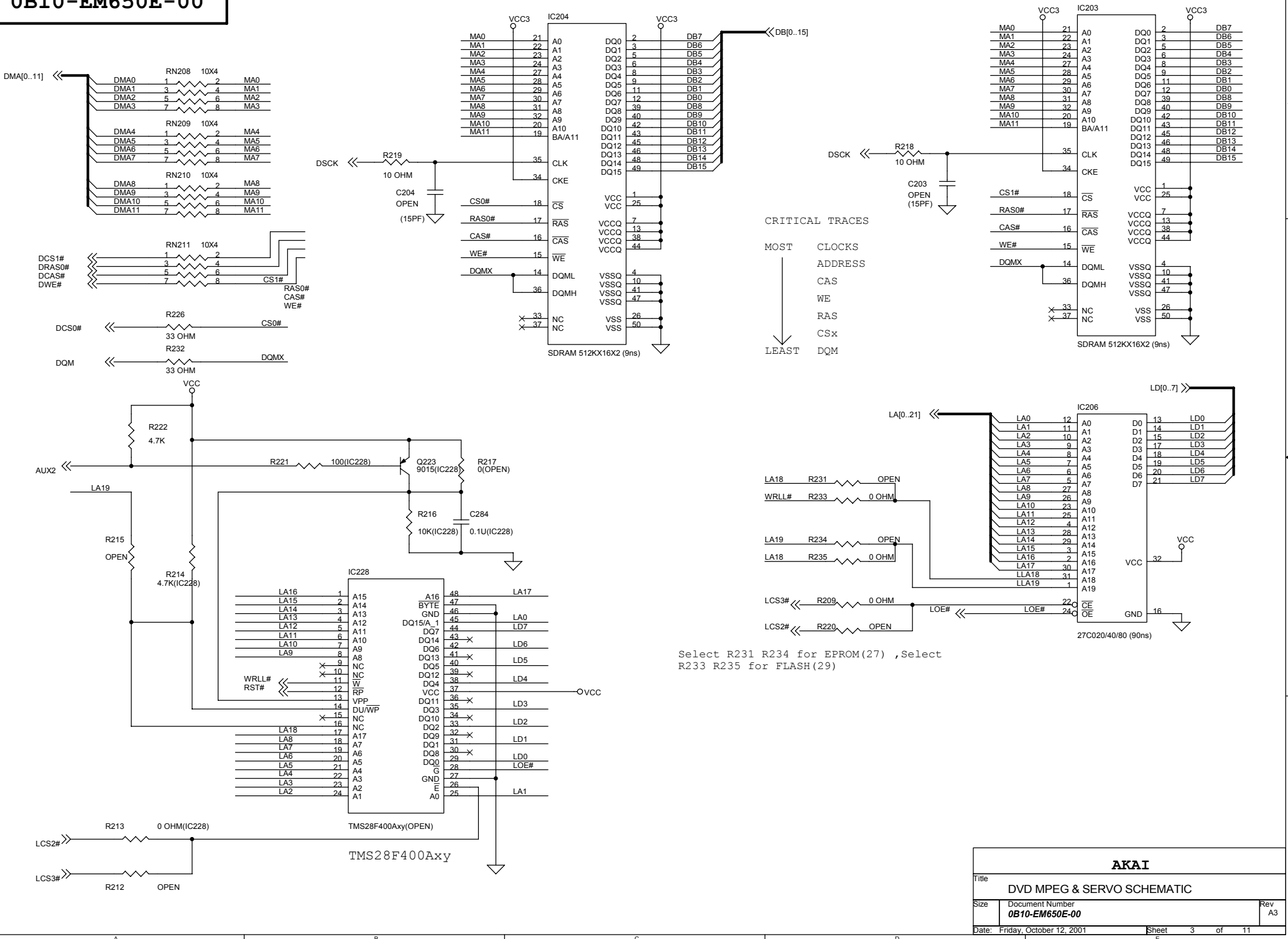
THE INFORMATION HAS BEEN CHECKED AND IS BELIEVED TO BE RELIABLE. HOWEVER, NO RESPONSIBILITY IS ASSUMED FOR INNACCURACIES. CIRCUIT DIAGRAMS ARE PROVIDED AS A MEANS OF ILLUSTRATING TYPICAL APPLICATIONS; CONSEQUENTLY COMPLETE INFORMATION FOR CONSTRUCTION PURPOSES IS NOT NECESSARILY GIVEN. ESS RESERVES THE RIGHT TO MAKE CHANGES AT ANY TIME IN ORDER TO IMPROVE THE DESIGN.

AKAI		
Title DVD MPEG & SERVO SCHEMATIC		
Size	Document Number OB10-EM650E-00	Rev A3
Date: Friday, October 12, 2001	Sheet 1 of 11	E

SWAN ES4408



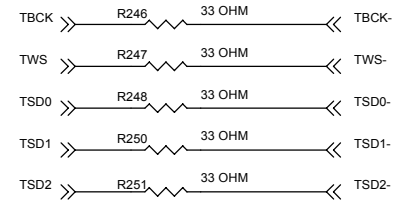
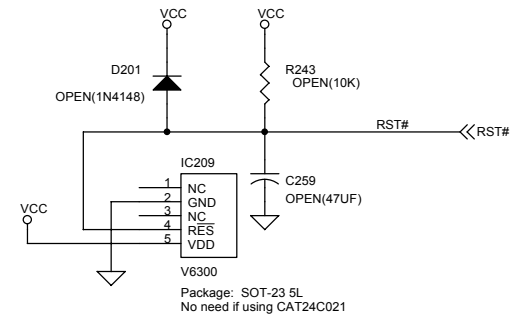
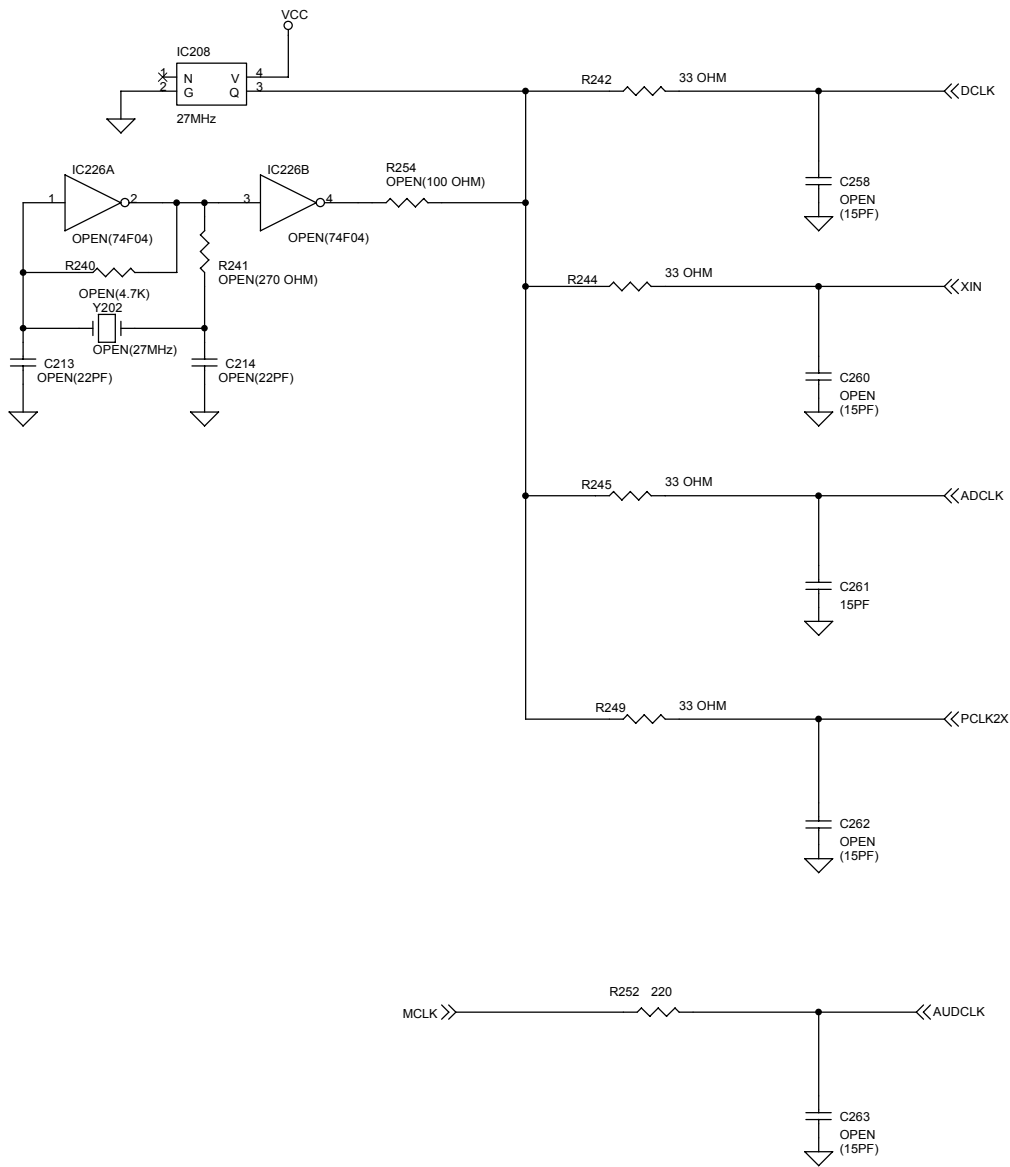
OB10-EM650E-00



CRITICAL TRACES
 MOST ↓
 CLOCKS
 ADDRESS
 CAS
 WE
 RAS
 CSx
 LEAST ↓
 DQM

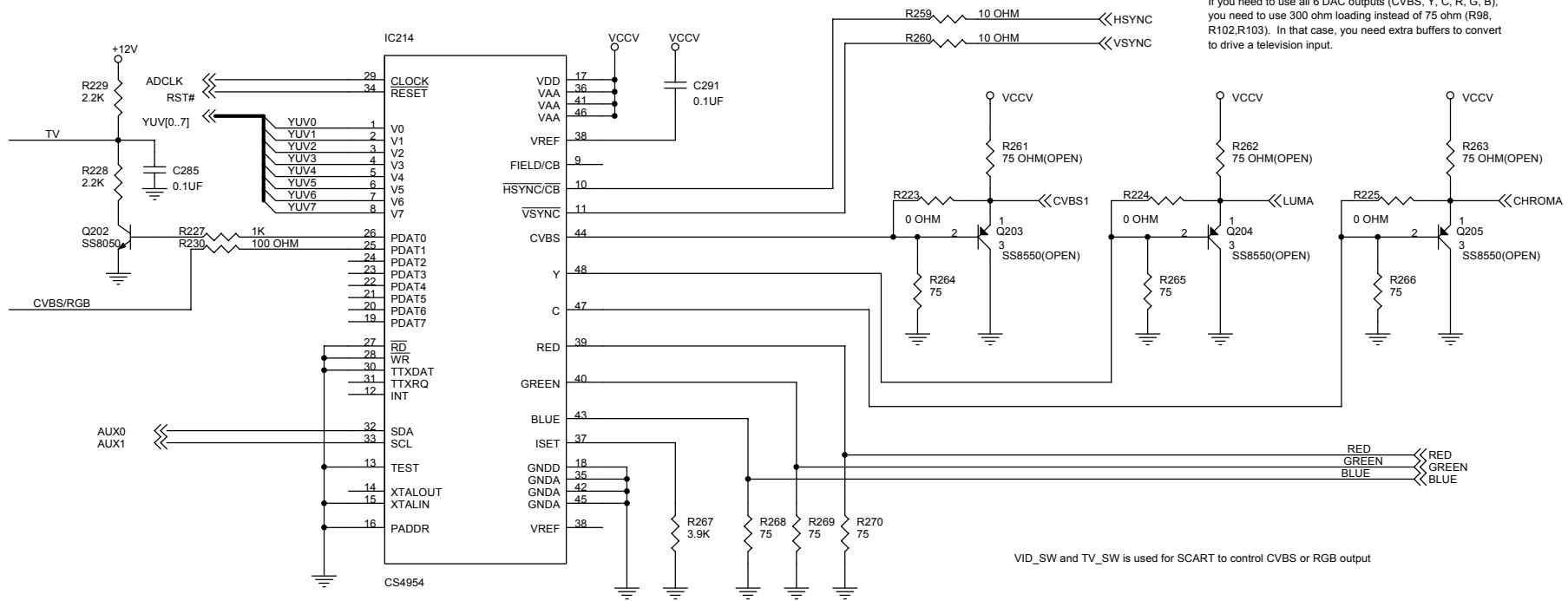
Select R231 R234 for EPROM(27) ,Select R233 R235 for FLASH(29)

OB10-EM650E-00

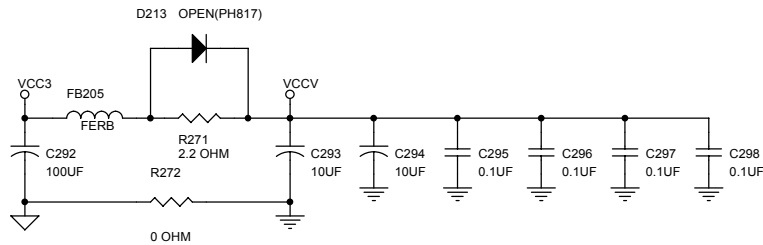
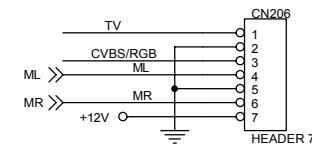


AKAI		
Title DVD MPEG & SERVO SCHEMATIC		
Size	Document Number OB10-EM650E-00	Rev A3
Date: Friday, October 12, 2001	Sheet 5 of 11	

OB10-EM650E-00

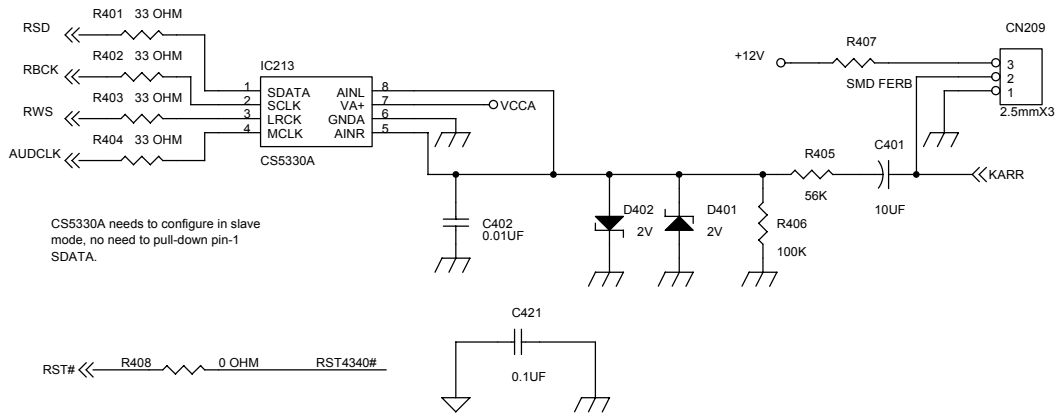
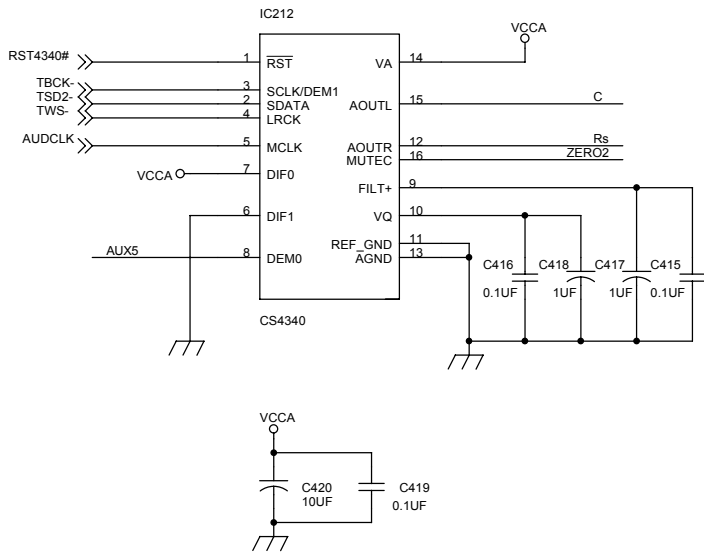
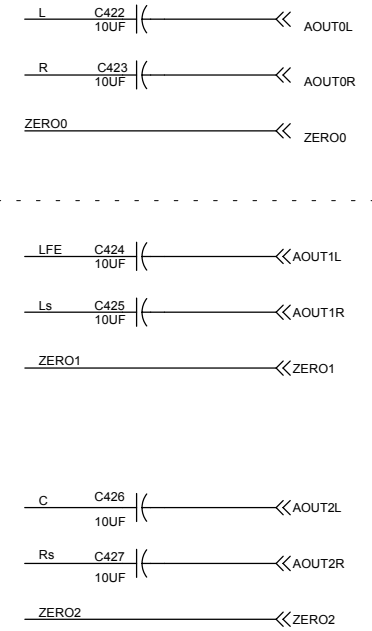
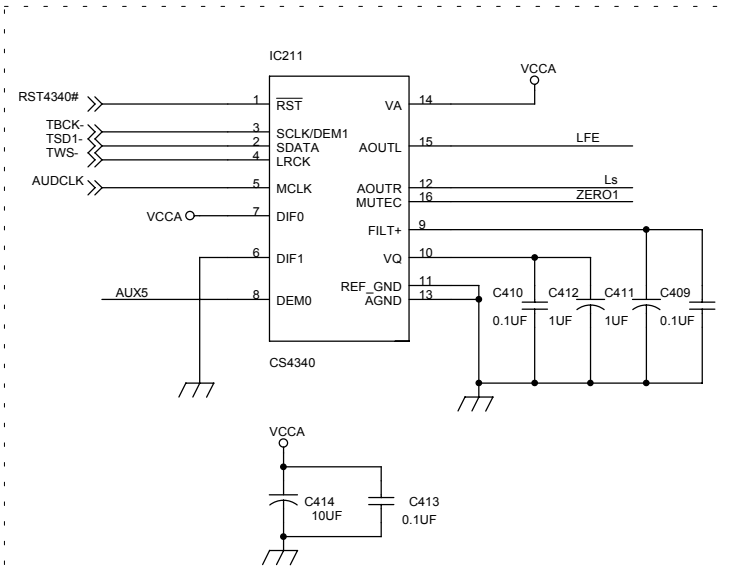
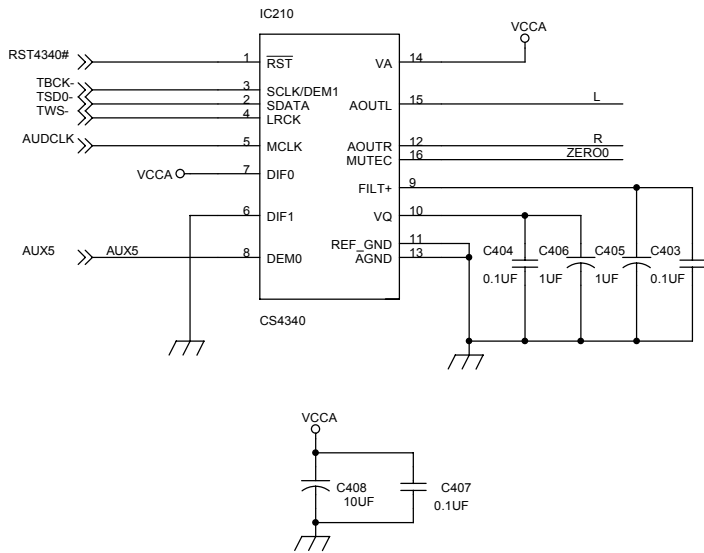


VID_SW and TV_SW is used for SCART to control CVBS or RGB output



Two ground plane connected through a single trace.

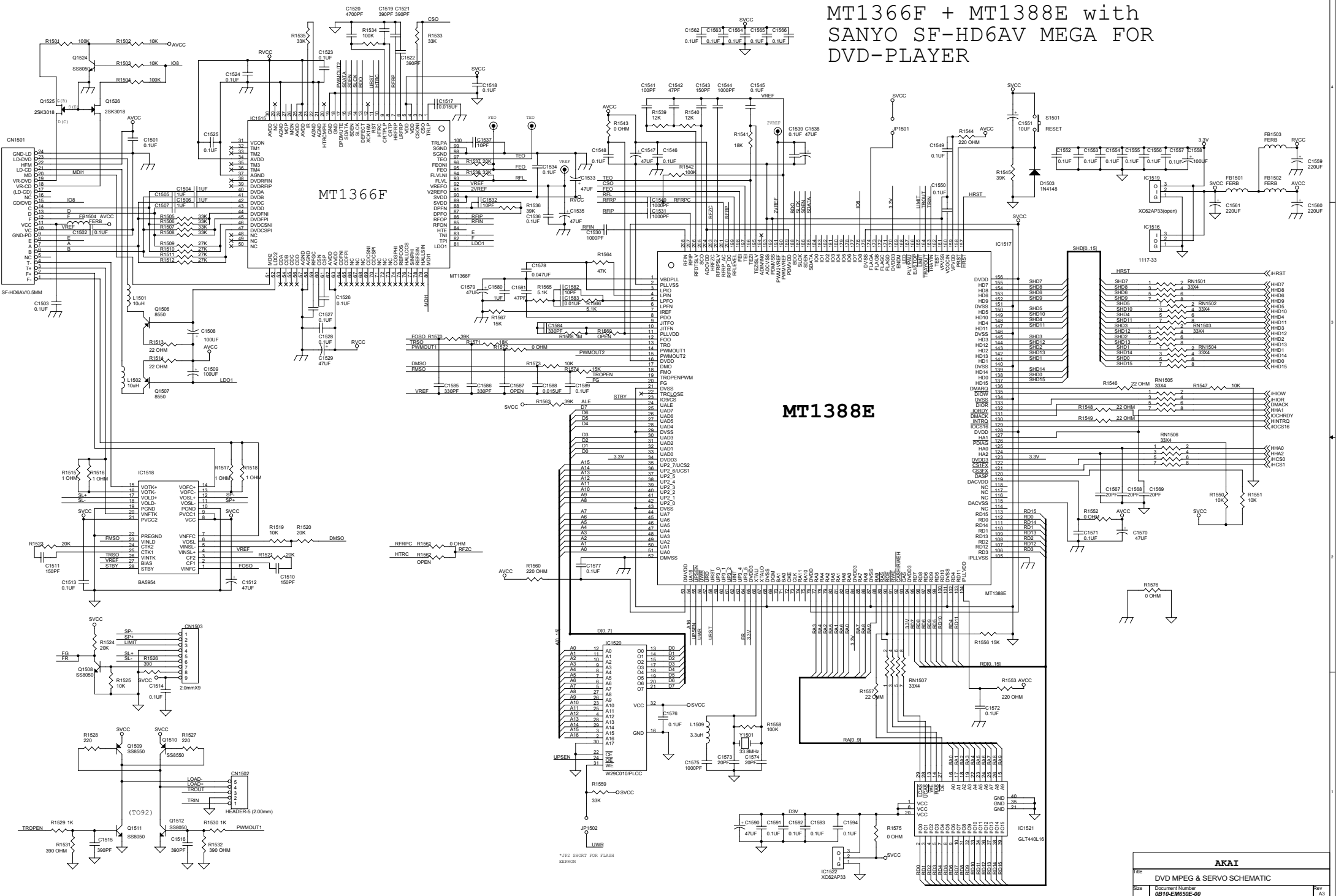
AKAI		
Title DVD MPEG & SERVO SCHEMATIC		
Size	Document Number OB10-EM650E-00	Rev A3
Date:	Friday, October 12, 2001	Sheet 6 of 11

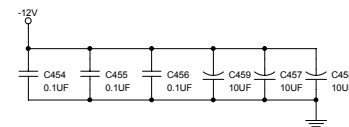
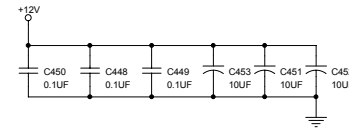
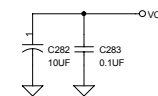
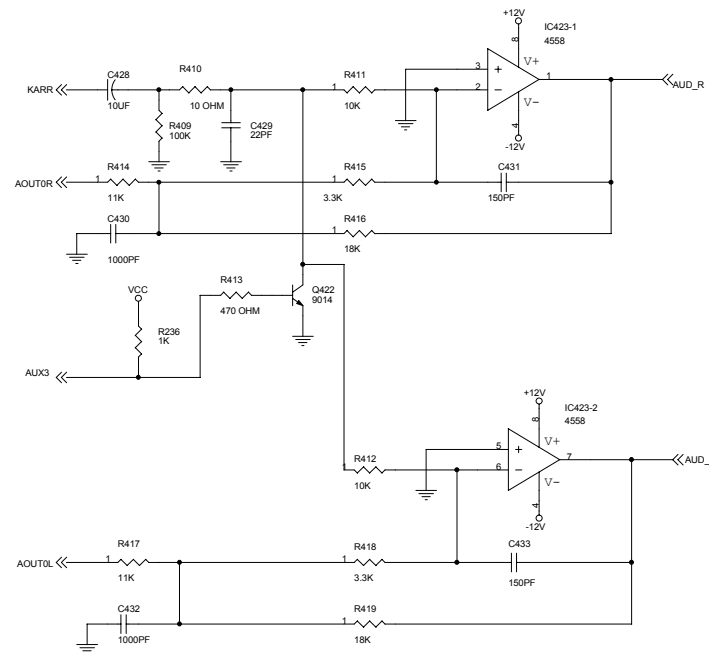
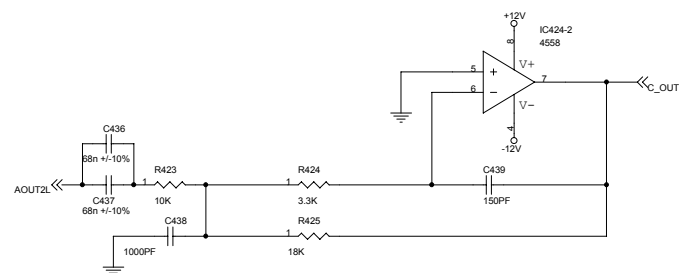
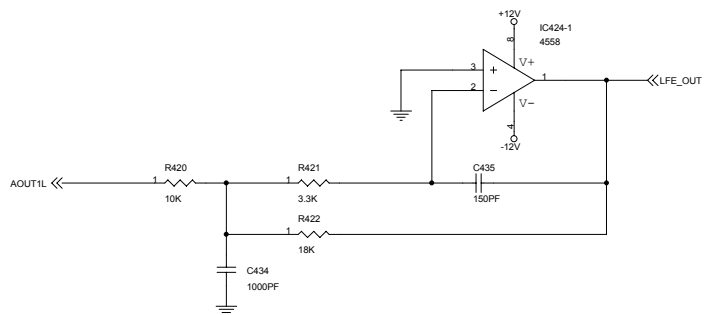
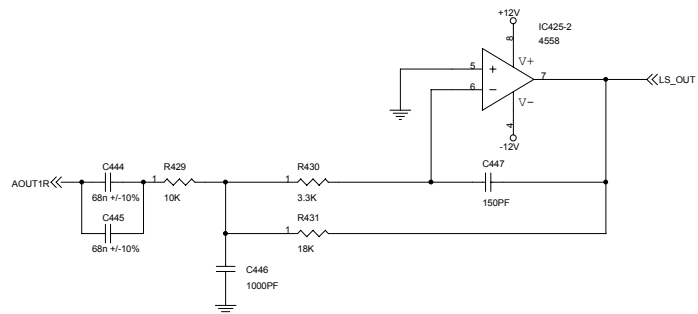
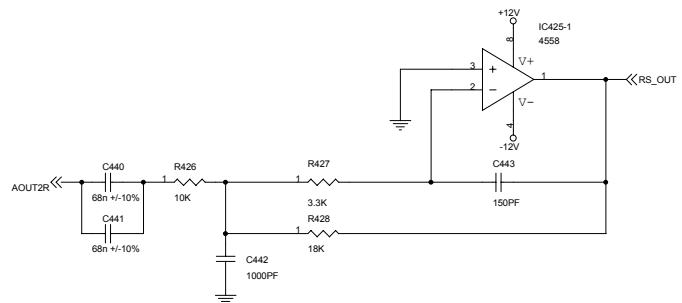


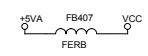
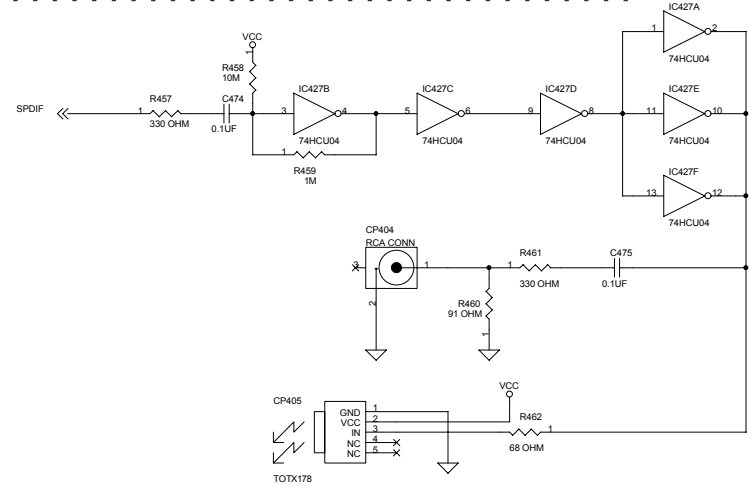
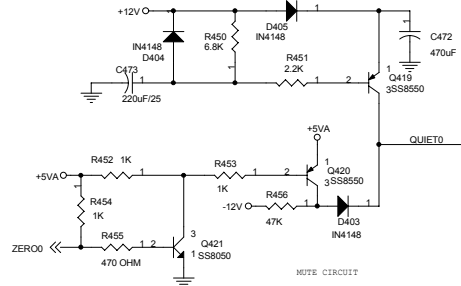
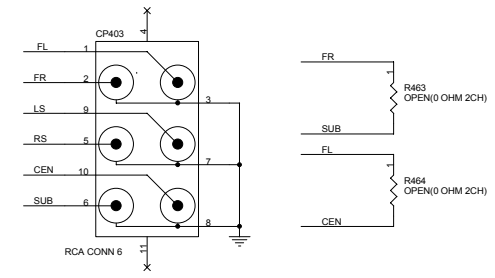
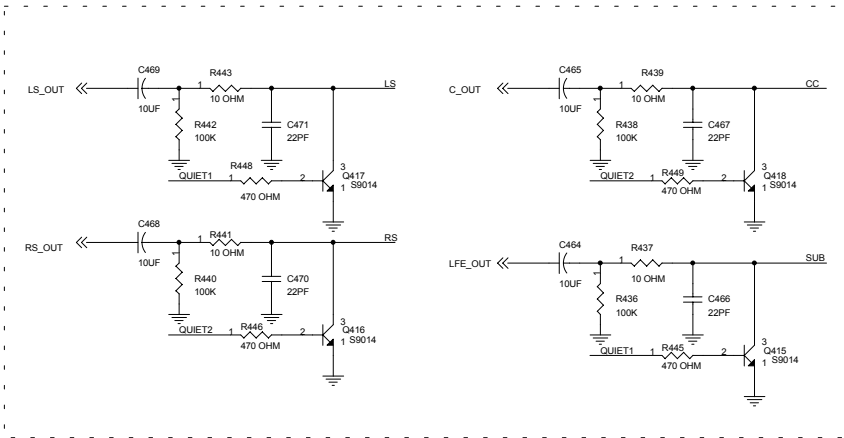
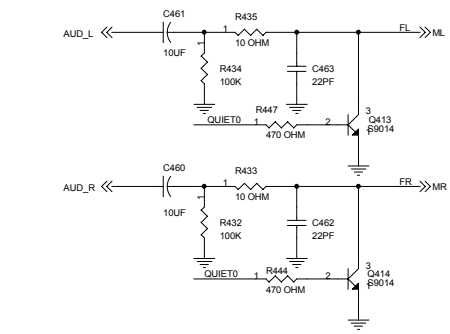
All capacitors should be placed close to power and ground of the DACs

AKAI		
Title DVD MPEG & SERVO SCHEMATIC		
Size	Document Number OB10-EM650E-00	Rev A3
Date: Friday, October 12, 2001	Sheet 7	of 11

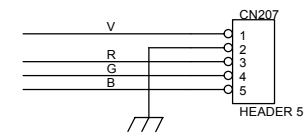
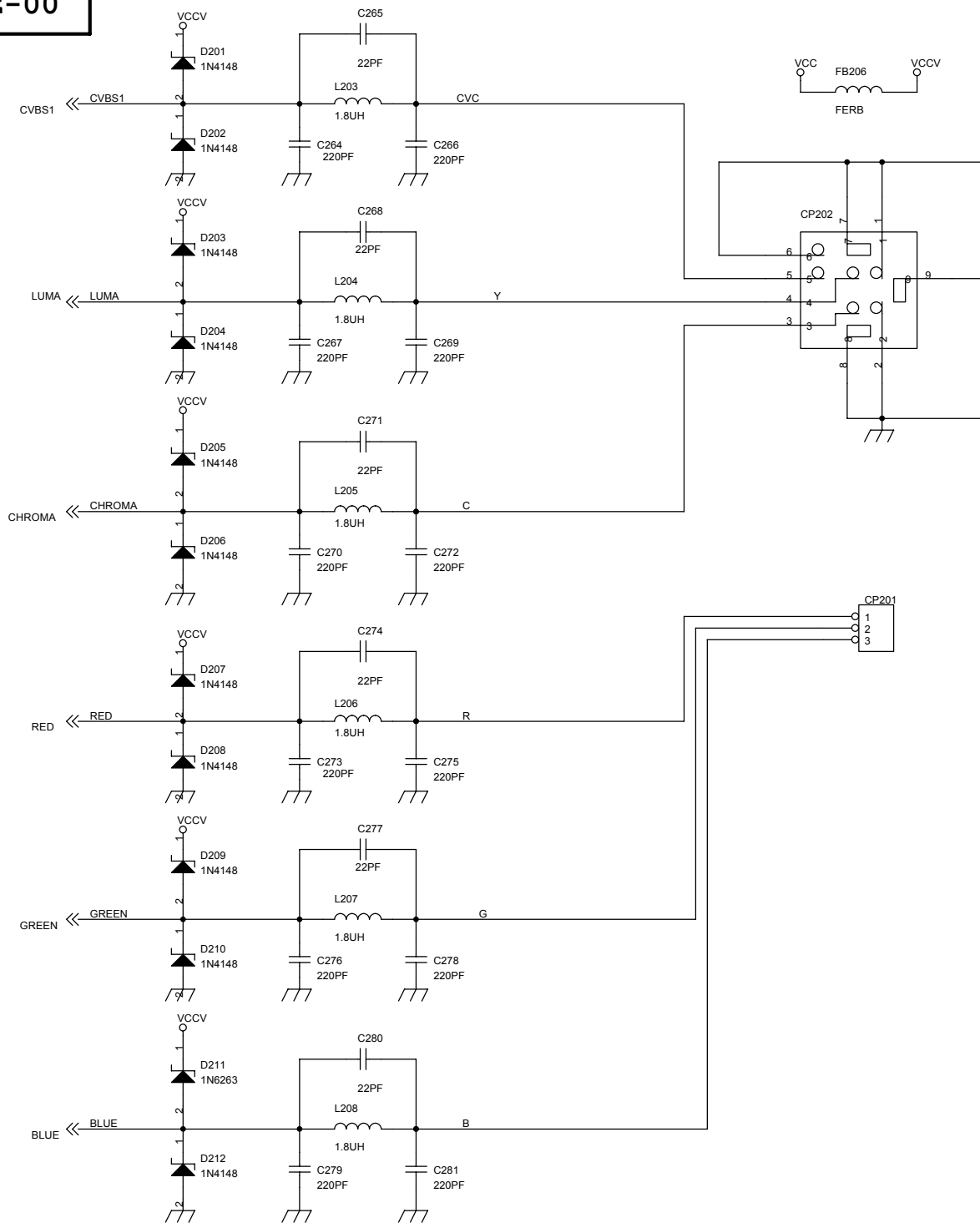
MT1366F + MT1388E with SANYO SF-HD6AV MEGA FOR DVD-PLAYER



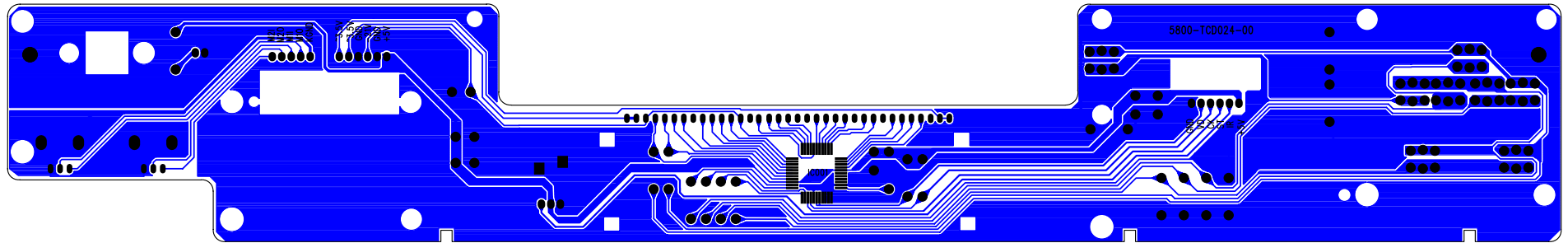




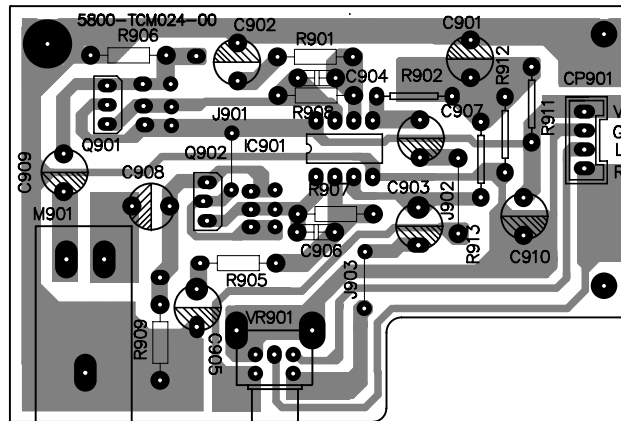
OB10-EM650E-00



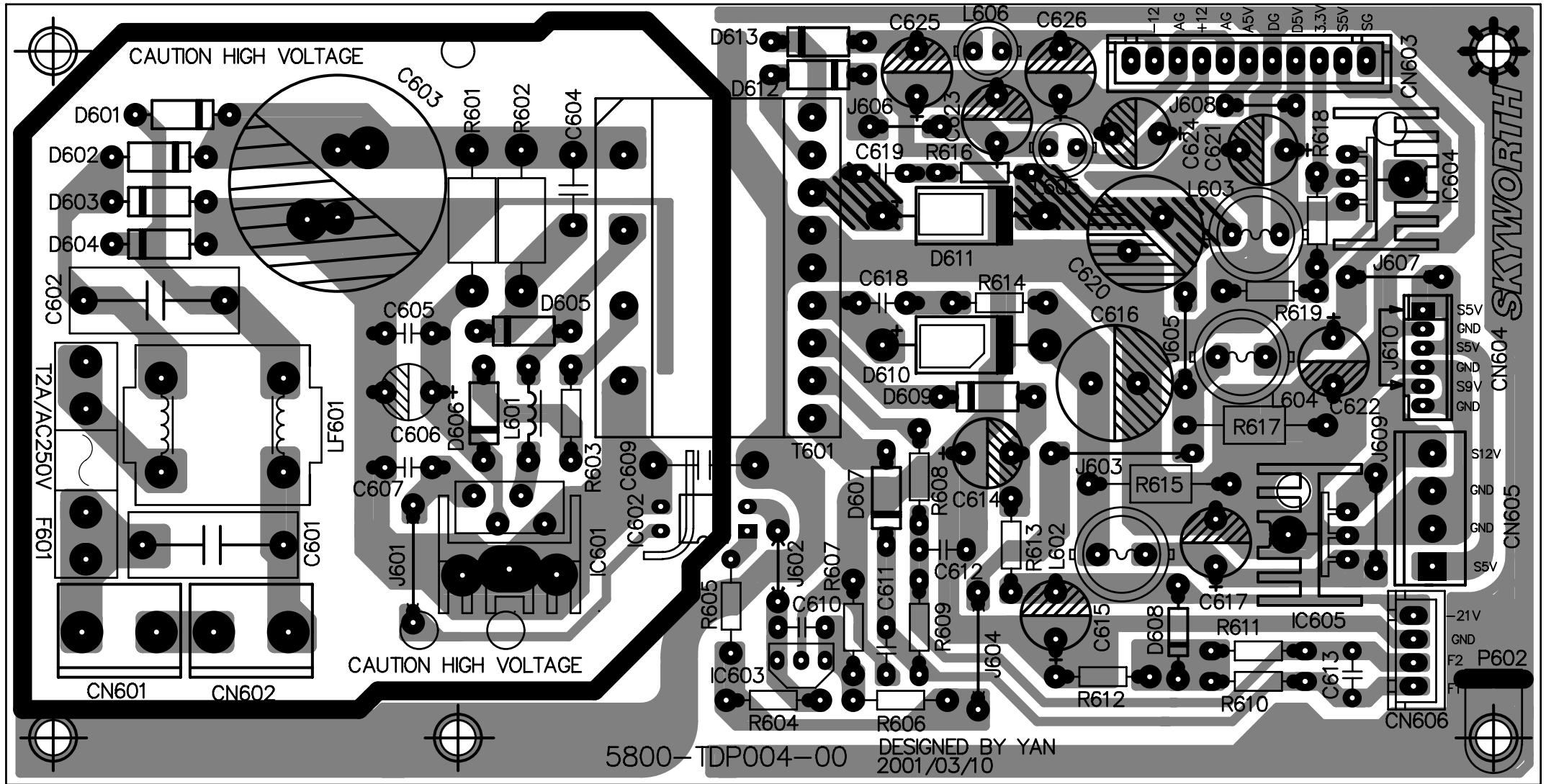
AKAI		
Title: DVD MPEG & SERVO SCHEMATIC		
Size:	Document Number: OB10-EM650E-00	Rev: A3
Date: Friday, October 12, 2001	Sheet: 11	of 11



CONTROL BOARD OF DVD-1150E
OED0-D1150E-00

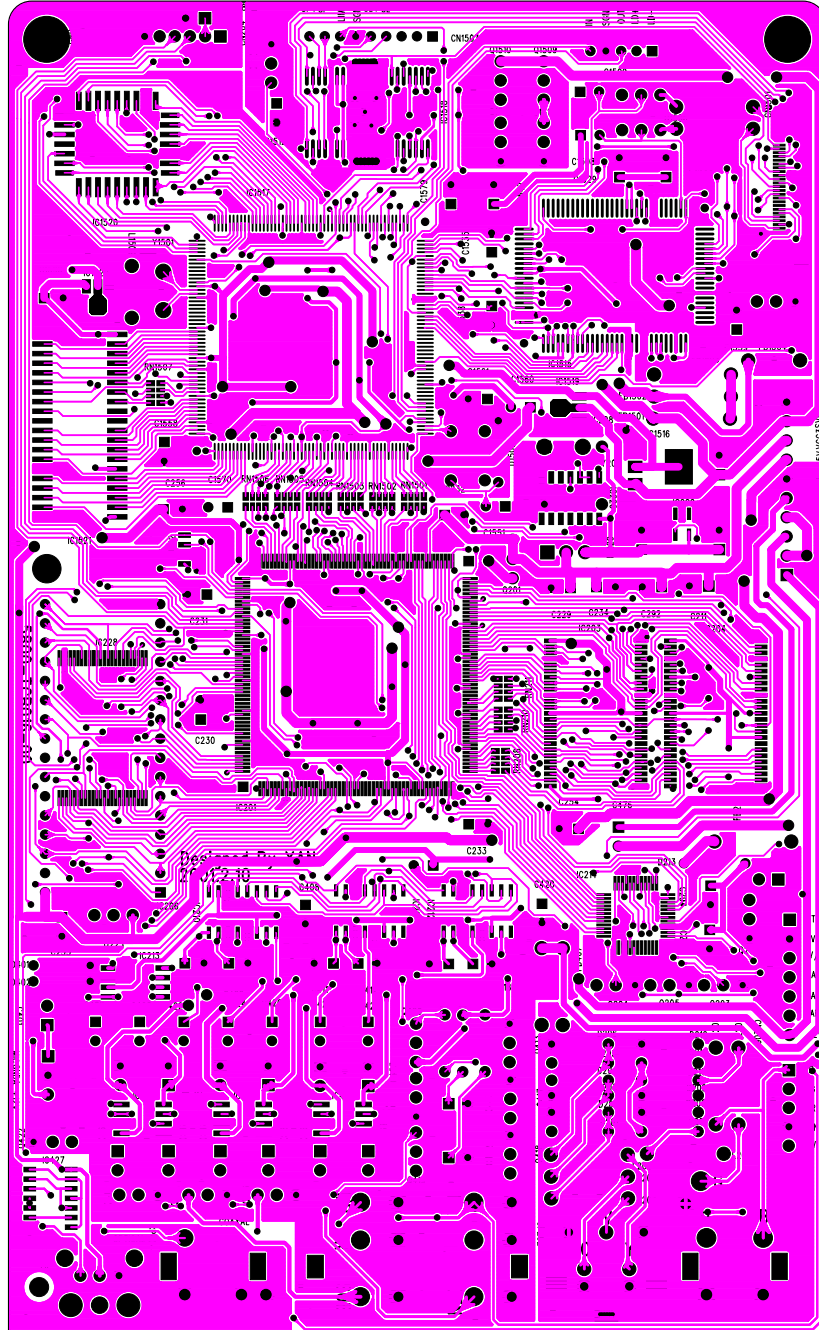


Headphone Schematic of DVD-650E/850E/950E/1050E/1150E
OIDO-H0650E-00

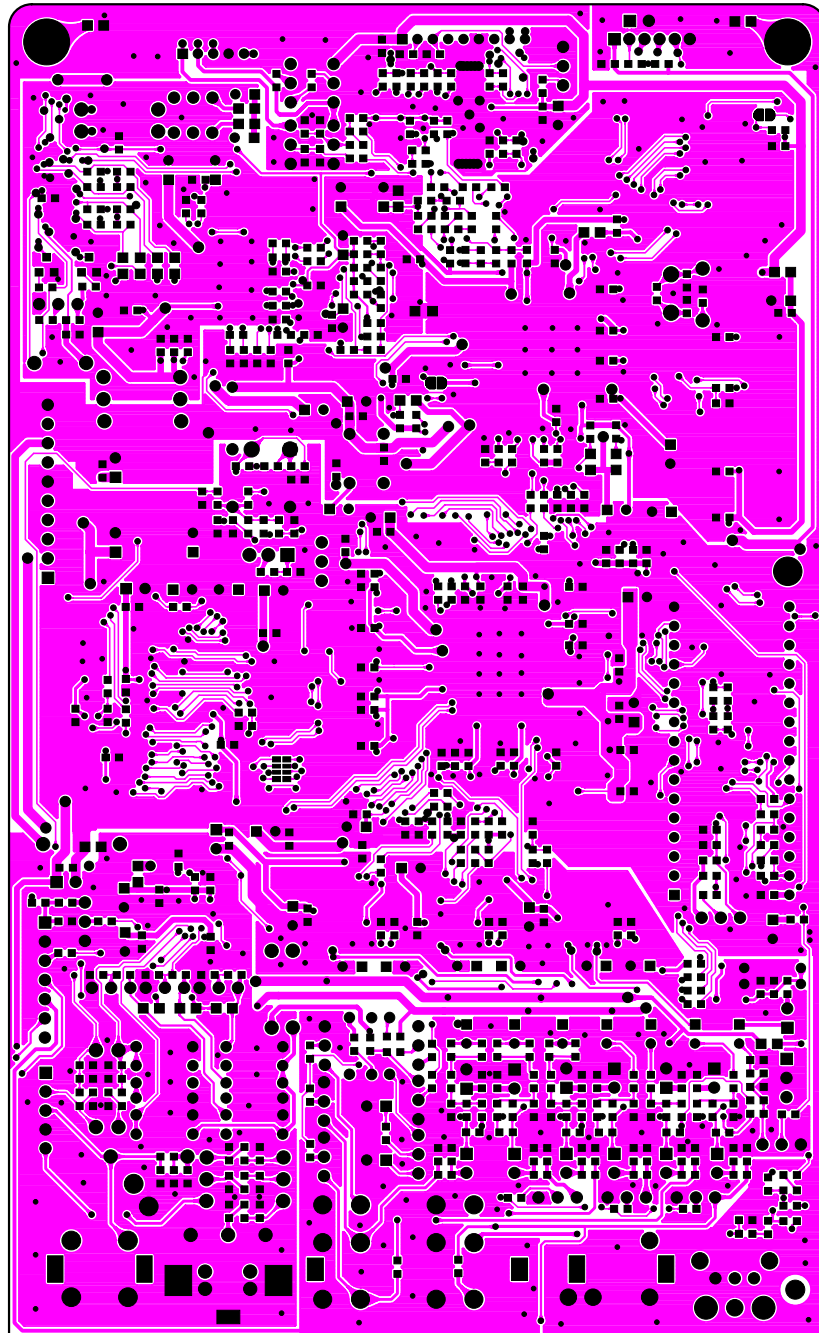


POWER SCHEMATIC OF DVD

1GD0-P00001-02



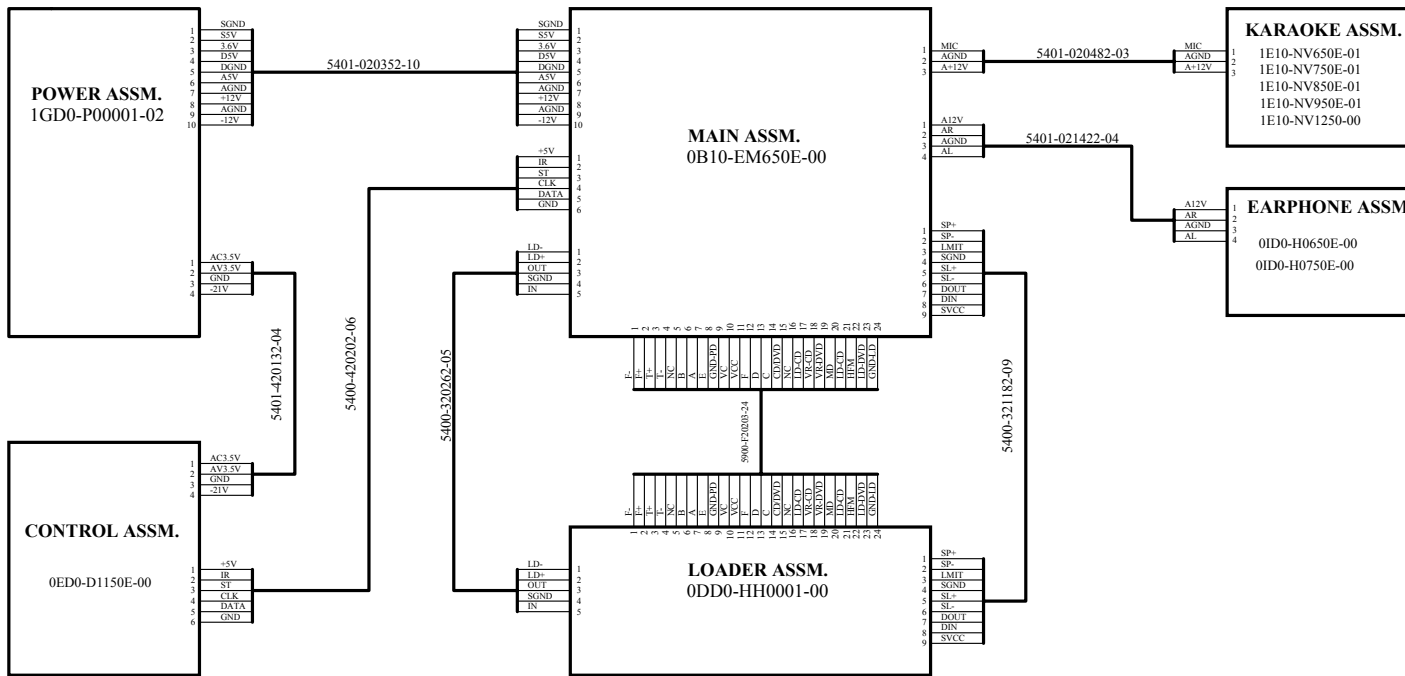
MPEG BOARD OF DVD(TOP)
OB10-EM650E-00
OB10-EM652E-00



MPEG BOARD OF DVD(BOTTOM)

OB10-EM650E-00

OB10-EM652E-00



AKAI

Title		
Wire diagram of DVD		
Size	Number	Revision
C		
Date:	5-Nov-2001	Sheet of
File:	D:\MYDOCU-1\SERVICE\2IN1\19081-2	Drawn By:

Instrument and Equipment

TV SET	1 SET
SVCD DISC	1 PIECE
MICROPHONE	1 PIECE
TEST DISC TCD784	1 PIECE
TEST DISC TCD725	1 PIECE

Alignment Step

1. Press POWER button to turn on power,VFD is indicator.
2. Press OPEN/CLOSE button to load disc on disc tray.
3. Press REV FF NEXT PREV button to normal work.
4. Play VCD disc , main features are normal work.(include picture and sound)
5. Press ECHO button and plug microphone, audio output is normal work.
6. To load disc TCD784 and play track No. 2.Audio output right and left channel is 2.0V,on reading distortion meter .Channel difference is less than 1dB between right to left. Distortion is less than 0.1% when signal range is 2.0V on reading oscillo Scope.
7. Play track no. 3 and 6 ,Frequency response is 20Hz to 20kHz
8. Play track no. 7 , s/n is more than 80 dB.
9. To load disc TCD725 and play track no.3 ,no.9,no.15.Audio and picture output are normal.