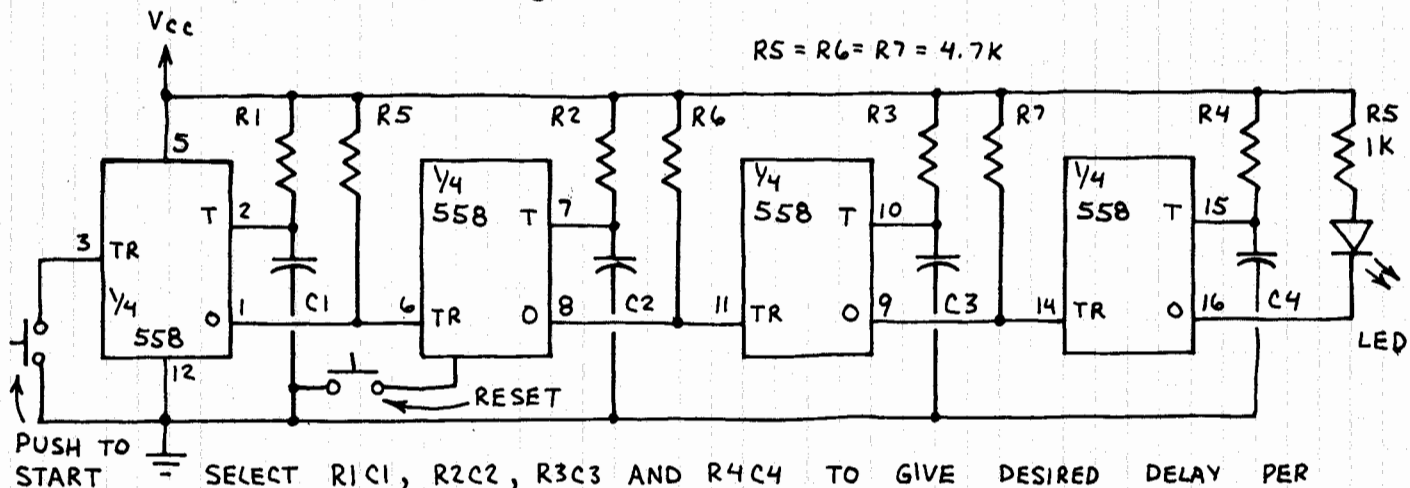


LONG DURATION TIMER



SELECT R_1C_1 , R_2C_2 , R_3C_3 AND R_4C_4 TO GIVE DESIRED DELAY PER STAGE. DELAY = $R \times C$. TOTAL DELAY = SUM OF ALL STAGES. LED TURNS OFF AFTER TIME DELAY AND TURNS ON AGAIN.