

2.4GHz WIRELESS VIDEO SENDER

User Manual

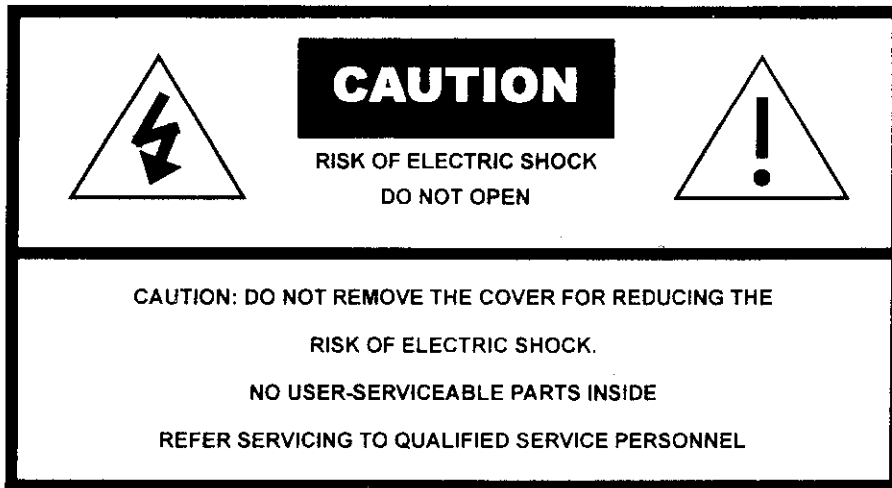
AWV365Tx / AWV366Rx

The equipment has been tested and found to comply with the limits for a Class B Analog Device, pursuant to part 15 of the FCC Rules. These limits are designed to provide reasonable protection against harmful interference in a residential installation. This equipment generates, uses and can radiate radio frequency energy and, if not installed and used in accordance with the instruction, may cause harmful interference to radio communication. However, there is no guarantee that interference will not occur in a particular installation. If this equipment does cause harmful interference to radio or television reception, which can be determined by turning the equipment off and on, the user is encouraged to try to correct the interference by one or more of the following measure:

- Rearrange or relocate the receiving antenna.
- Increase the separation between the equipment and receiver.
- Connect the equipment into an outlet on a circuit different from that to which the receiver is connected.
- Consult the dealer or an experienced radio/TV technician for help.

Notice:

The change or modifications not expressly approved by the party responsible for compliance could void the user's authority to operate the equipment.



WARNING:

Do not expose this product to rain or moisture environment for reducing the risk of fire or electric shock as well as preventing the damage that it may brought to this product.

IMPORTANT SAFETY INSTRUCTIONS

1. **Read Instructions** - All the safety and operating instructions should be read before the product is operated.
2. **Retain Instructions** - The safety and operating instructions should be kept for future reference
3. **Heed Warnings** - All warnings on the product and in the operating instructions should be adhered to
4. **Follow Instructions** - All operating and use instructions should be followed.
5. **Cleaning** - Unplug this product from the wall outlet before cleaning. Do not use liquid cleaners or aerosol cleaners. Use a damp cloth for cleaning.
6. **Attachments** - Do not use attachments not recommended by the product manufacturer as they may cause hazards
7. **Water and Moisture** - Do not use this product near water - for example, near a bath tub, wash bowl, kitchen sink, or laundry tub, in a wet basement, or near a swimming pool; and this like

8. **Accessories** - Do not place this product on an unstable cart, stand, tripod, bracket, or table. The product may fall, causing serious injury to a child or adult and serious damage to the product. Use only with a cart, stand, tripod, bracket, or table recommended by the manufacturer, or sold with the product. Any mounting of the product should follow the manufacturer's instructions, and should use a mounting accessory recommended by the manufacturer.
9. A product and cart combination should be moved with care. Quick stops, excessive force and uneven surfaces may cause the product and cart combination to overturn.
10. **Ventilation** - Slots and openings in the cabinet are provided for ventilation and to ensure reliable operation of the product and to protect it from overheating, and these openings must be blocked or covered. The openings should never be blocked by placing the product on a bed, sofa, rug, or other similar surface. This product should not be placed in a built-in installation such as a bookcase or rack unless proper ventilation is provided or the manufacturer's instructions have been adhered to.
11. **Power Sources** - This product should be operated only from the type of power source indicated on the marking label. If you are not sure of the type or power supply to your home, consult your product dealer or local Power Company. For products intended to operate from battery power, or other sources, refer to the operating instructions.
12. **Power-Cord Protection** - Power supply cords should be routed so that they are not likely to be walked on or pinched by items placed upon or against them, paying particular attention to cords at plugs, convenience receptacles, and the point where they exit from the product.
13. **Lightning** - For added protection for this product during a lightning storm, or when it is left unattended and unused for long periods of time, unplug it from the wall outlet and disconnect the antenna or cable system. This will prevent damage to the product due to lightning and power-line surges.
14. **Overloading** - Do not overload wall outlets, extension cords, or integral convenience receptacles as this can result in a risk of fire or electric shock.
15. **Object and Liquid Entry** - Never push objects of any kind into this product through openings as they may touch dangerous voltage points or short-out parts that could result in a fire or electric shock. Never spill liquid of any kind on the product.
16. **Servicing** - Do not attempt to service this product yourself as opening or removing covers may expose you to dangerous voltage or other hazards. Refer all servicing to qualified service personnel.
17. **Damage Requiring Service** - Unplug this product from the wall outlet and refer servicing to qualified service personnel under the following conditions:

- When the power-supply cord or plug is damaged.
 - If liquid has been spilled, or objects have fallen into the product.
 - If the product has been exposed to rain or water.
 - If the product does not operate normally by following the operating instructions. Adjust only those controls that are covered by the operating instructions as an improper adjustment of other controls may result in damage and will often require extensive work by a qualified technician to restore the product to its normal operation.
 - If the product has been dropped or damaged in any way, and
 - When the product exhibits a distinct change in performance - this indicates a need for service.
18. Heat - The product should be situated away from heat sources such as radiators, hear registers, stoves, or other products including amplifiers that produce heat.

Table of Contents

◆ PART 1 Introduction to Video Sender.....	3
A. Applications	3
B. Features	3
◆ PART 2 List of Packaged Contents	4
A. One set of Transmitter.....	4
B. One set of Receiver	4
C. Two power adapters.....	4
D. Two Audio/Video (A/V) cables	5
E. DC out Power Line	5
◆ PART 3 Controls and Features	6
◆ PART 4 Setting Up Units	7
◆ PART 5 Connecting the Transmitter to the A/V sources	8
A. How to send Audio/Video from your Satellite Receiver or Laser Disc Player	8
B. How to send Audio/Video from your VCR or DVD	9
C. How to connect the Transmitter to your Camcorder	10
D. How to send Audio from your CD Player or Cassette Deck	10
◆ PART 6 Connecting the Receiver to the A/V Displays.....	11
A. How to connect the Receiver to your TV	12
B. How to receive Audio on Remote Speaker	12
◆ PART 7 Channel auto scanning function	13
◆ PART 8 Trouble Shooting	15
A. No picture or sound	16
B. Noisy picture or audio	17
◆ PART 9 Care and Maintenance	17
◆ PART 10 Specification	17

Introduction to Video Sender

Video Sonic applies the advanced 2.4GHz RF wireless technology to offer the users the ability to link all kinds of Audio and Video sources to TV, Monitors, and Personal Computers without wires and cables. Video Sender is easy to install completely within minutes. This plug-and-play feature helps you to expand your freedom in your home entertainment and enhance your home security.

Applications

- Work as the wireless remote unit for the expensive A/V equipment such as IRD & DVD.
- Apply as a wireless security system.
- Use as a baby sitter to watch your baby anytime and anywhere at your home.
- Monitor and record a meeting from another room.
- Use multi-receivers for broadcasting to numerous TV sets in other rooms.
- Apply the data transmission (optional function).

Features

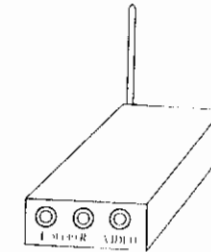
- 4 selectable channels prevent the interference and to operate 4 pairs of Video Sonic simultaneously.
- Easy installation by just plug in and play within minutes.
- Work with all kinds of Audio and Video equipment at your home.
- Penetrate walls, floors and ceilings without damaging your home.
- Crystal quality of Audio and Video signals.

List of Packaged Contents

The following devices should be included in the box. Please check that you have them all before installation.

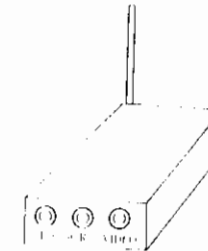
A. One set of Transmitter (AWV 365 Tx)

The Transmitter emits Audio and Video signals over 2.4GHz radio frequency carrier



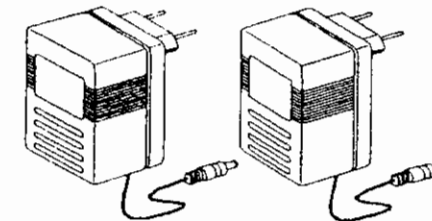
B. One set of Receiver (AWV 366 Rx)

The Receiver receives 2.4GHz wireless Audio and Video signals from the Transmitter



C. Two power adapters

These power adapters supply a + 9V + 12V DC power to the Transmitter and the Receiver



+ 12V / 500mA
(For AWV 365 Tx)

+ 9V / 300mA
(For AWV 366 Rx)

D. Two Audio/Video (A/V) cables

These two pairs of cables are used to connect the Transmitter or the Receiver to your A/V devices.

RCA to RCA

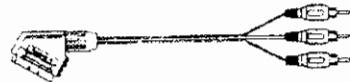


RCA to SCART



(Option)

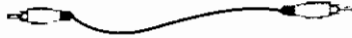
Transmitter: connect the Transmitter to your A/V source.



Receiver: connect the Receiver to your TV, Monitor or other A/V source.

E. DC out Power Line

(Optional for connecting the external CCD camera)

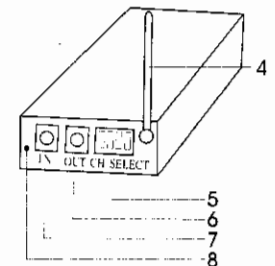
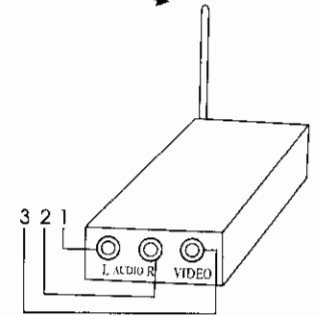


Controls and Features

The Transmitter and the Receiver look alike, and you can distinguish through the logo on the units.

The 2.4 GHz dipole antenna can be rotated over an angular range of about 300 degrees. (Do not force it to rotate beyond its angular range limits otherwise it will cause permanent damage to both antenna and mechanical stopper.)

1. Left Audio jack (red)
2. Right Audio jack (white)
3. Video jack (yellow)
4. Dipole antenna
5. Channel select
6. DC 9V ~ 12V power output for CCD Camera
(AWV 365 Transmitter)
7. DC 9V ~ 12V power input adapter plug
8. Power Indicator



Setting Up Units

Setting up Video Sonic is extremely easy. It takes only few minutes to connect the Transmitter to your A/V sources you want to view or hear at another location, and then connect the Receiver to the TV set, monitors and speakers located at your site.

Turning on the power switches of the Transmitter and the Receiver, you are ready to enjoy the A/V signals via the wireless technology.

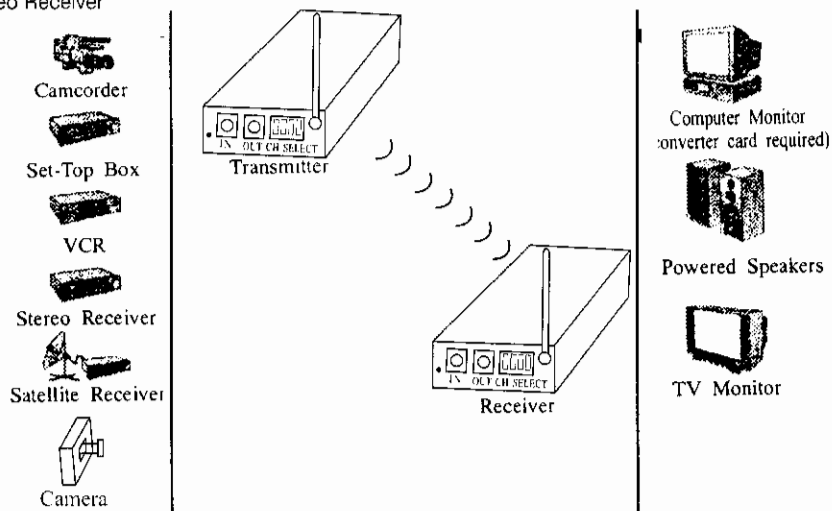
The Video Sonic is suitable for all kinds of A/V sources and displays with standard RCA output connectors. For the A/V equipment with different output connectors, such as SCART, the optional adapters are available upon request. Hereinafter, we define the A/V sources and the A/V Displays as follows:

The A/V sources are:

VCR
TV set
Digital/Analogue Satellite Receivers
Laser Disc Player
CD Player
Camcorder
Security Camera
Computer
Wireless Cable Box
Cassette Deck
Stereo Receiver

The A/V Displays are:

TV set
Monitor
Speaker



Connecting the Transmitter to the A/V sources

Before connecting the Video Sonic Transmitter, make sure the ON/OFF switch is at the OFF position. Connect one set of A/V cables to the A/V jacks of Transmitter and the A/V jacks on the A/V output of the A/V sources. There are three kinds of colors for the connectors of A/V cables. Make sure the yellow, white and red plugs match the yellow, white and red jacks on both the Transmitter and the A/V sources.

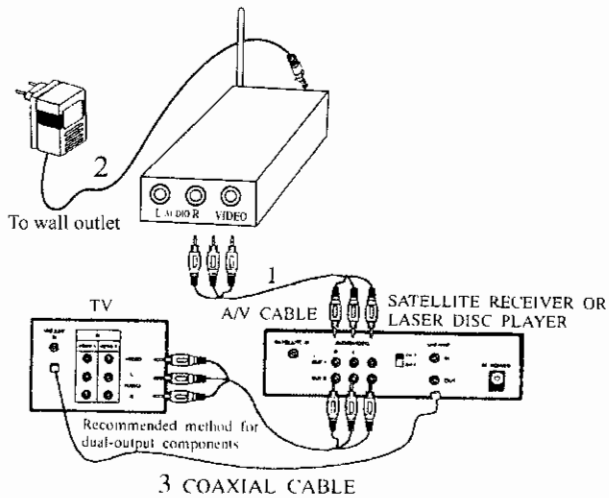
Before plug in the power adapter into the Video Sonic Transmitter, make sure the power rating is matching the power standard of your country. For example, Italy uses 220V and you shall have two power adapters with A/C power rating 230V/AC. After plug in the power adapter into the Video Sonic Transmitter and wall outlet as shown below, turn the ON/OFF switch to ON position and the Power ON/OFF indicator light should be lit.

To optimize the performance of Video Sonic Transmitter, you may need to orient the antenna of the Video Sonic. Please refer to the section of this manual titled "Orienting Unit/Antenna for Optimizing Performance."

A. How to send Audio/Video from your Satellite Receiver or Laser Disc Player

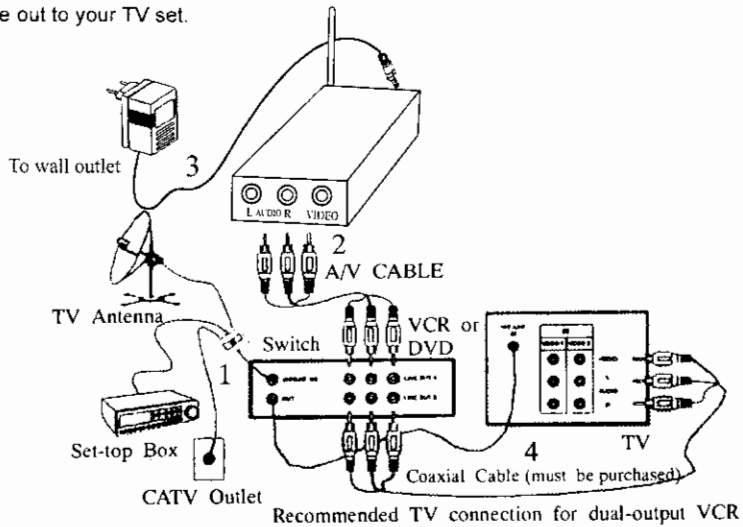
You can send Audio/Video either directly from your Satellite Receiver or Laser Player, or by connecting them to your VCR. To send directly from your Satellite Receiver or Laser Disc Player, follow the instruction below.

1. Use A/V cable to connect A/V OUT from your Satellite Receiver or Laser Disc Player to A/V IN on the Transmitter. Be sure to match Audio (R&L) and Video jacks on both VCR and Transmitter correctly.
2. Plug the DC adapter into a wall AC power line outlet
3. You may use coaxial cable to connect coaxial OUT of Satellite Receiver or Laser Disc Player to VHF/UHF IN on a nearby TV set. If there are two lines out on your receiver or player, you can connect the other line out to your TV set.



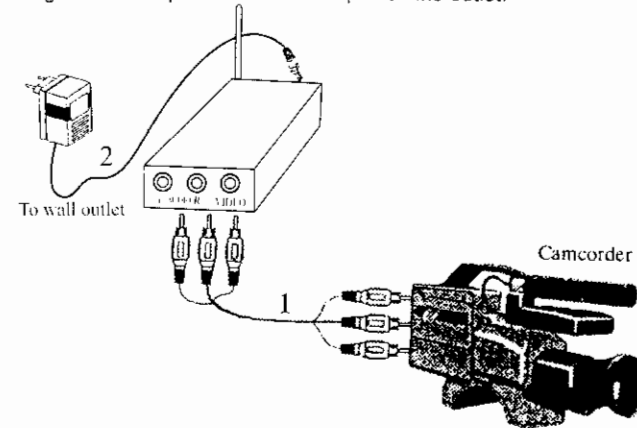
B. How to send Audio/Video from your VCR or DVD

1. Connect the coaxial IN, CATV IN or VHF/UHF IN from/on your VCR to TV antenna, coaxial OUT of the Sep-top Box or CATV coaxial outlet.
2. Use A/V cable to connect A/V OUT from your VCR to A/V IN on the Transmitter. Be sure to match Audio (R&L) and Video jacks on both VCR and Transmitter correctly.
3. Plug the DC adapter into a wall AC power line outlet.
4. You may use coaxial cable to connect coaxial OUT of your VCR to VHF/UHF IN or CATV IN on a nearby TV set. If there are two lines out on your VCR, you can connect the other line out to your TV set.



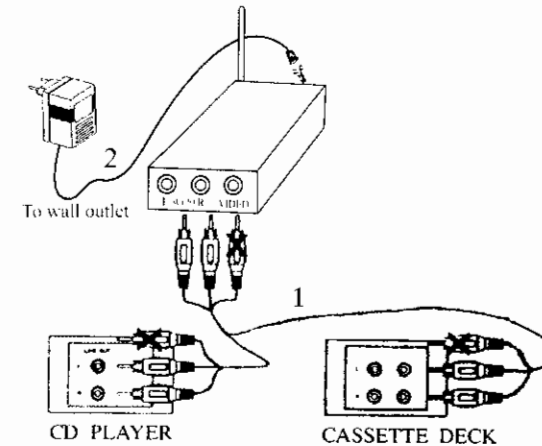
C. How to connect the Transmitter to your Camcorder

1. Use A/V cable to connect A/V out on your camcorder to A/V IN on the Transmitter.
2. Plug the DC adapter into a wall AC power line outlet.



D. How to send Audio from your CD Player or Cassette Deck

1. Use A/V cable to connect A/V out on your CD Player or Cassette Deck to A/V IN on the Transmitter.
2. Plug the DC adapter into a wall AC power line outlet.



Connecting the Receiver to the A/V Displays

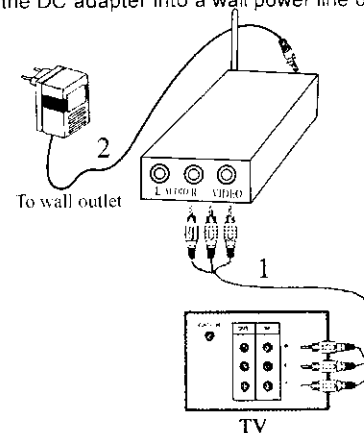
Before connecting the Video Sonic Receiver, make sure the ON/OFF switch is at the OFF position. Connect one set of A/V cables to the A/V jacks of Receiver and to the A/V jacks on the A/V input of the A/V Displays. There are three kinds of colors for the connectors of A/V cables. Make sure the yellow, white and red plugs matching the yellow, white and red jacks on both the transmitter and the A/V sources correctly.

Before plug in the power adapter into the Video Sonic Receiver, make sure the power rating matching the power standard of your country. For example, Italy uses 220V and you shall have two power adapters with A/C power rating 230V/AC. After plug in the power adapter into the Video Sonic Receiver and wall outlet as shown follows, turn the ON/OFF switch to ON position and the Power ON/OFF indicator light should be lit.

To optimize the performance of Video Sonic Receiver, you may need to orient the antenna of the Video Sonic Receiver. Please refer to the section of this manual titled "Orienting Unit / Antenna for Optimizing Performance."

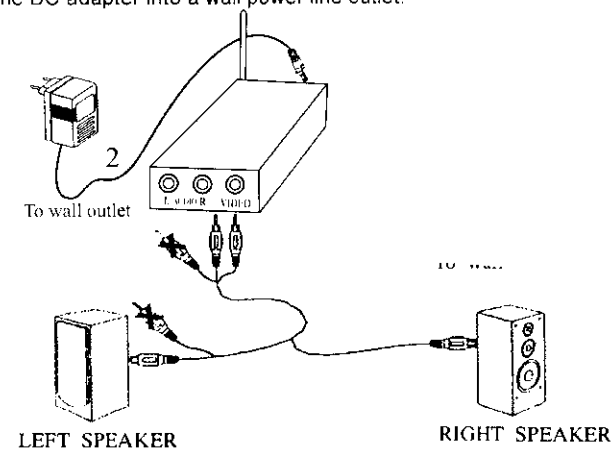
A. How to connect the Receiver to your TV

1. Use A/V cable to connect A/V OUT from the Receiver to A/V IN on your TV. Be sure to match Audio (R&L) and Video jacks on both Receiver and TV correctly.
2. Plug the DC adapter into a wall power line outlet.



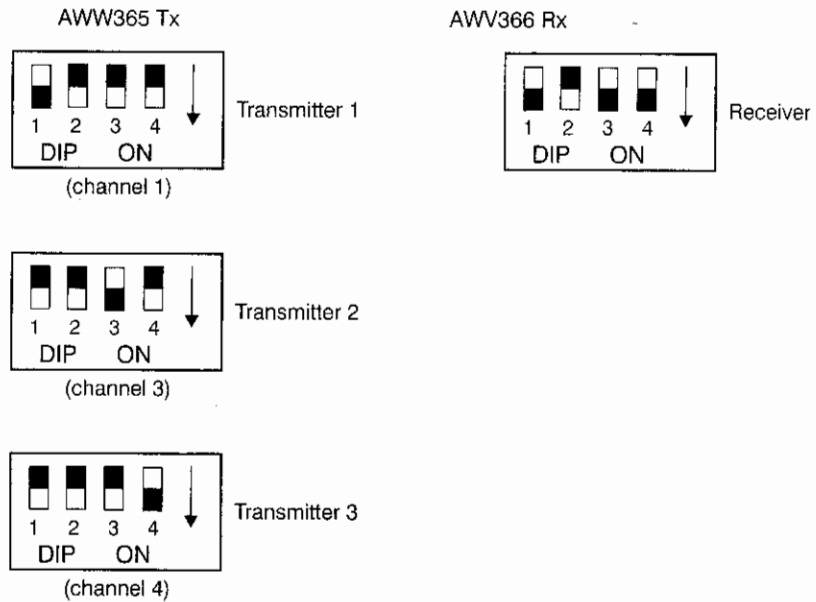
B. How to receive Audio on Remote Speaker

1. Use A/V cable to connect A/V OUT on the Receiver to A/V IN on your speaker. Be sure to match Audio (R&L) and Video jacks on both Receiver and TV correctly.
2. Plug the DC adapter into a wall power line outlet.



Channel Auto Scanning Function

A single Receiver AWW366 RX can be used for monitoring up to four CCD transmitters AWW365 TX at the same time. To set AWW366 RX in its channel auto scanning mode, the user needs only to set the channel selector, a four-pin DIP switch, on the back side AWW366 RX, with more than one channel by switching the corresponding desired channel pins to their "on" position.



For example, three transmitters need to be monitored simultaneously. Supposed the transmitting frequency channels have been preset to ch-1, ch-3 and ch-4 respectively, to receive signals from those transmitters, the channel selector switch of AWW366 RX needs to be set at ch-1, ch-3 and ch-4. By so doing, the monitor will display the captured picture and sound from three transmitters in sequence with a time period of about two second. This channel auto scanning function can be applied to up to four transmitters.

Trouble Shooting

Please read this user manual carefully before using the Video Sonic. If you still have difficulties to use the Video Sonic, consult the following syndrome, which will guide you to solve most common problems.

A. No picture or sound

1. Check the audio and video sources (T, VCR, LD Player, Satellite Receiver, etc.).
2. Make sure all cables are connected correctly.
3. Make sure the channel selection matches the Transmitter and the Receiver.

B. Interruptions in image and sound

1. Adjust the Receiver antenna.
2. Adjust the Transmitter antenna direction.
3. If the microwave oven close by, please turn the microwave oven off.
4. Change different channel to avoid interference from other devices.

Care and Maintenance

Clean the plastic casings with a soft cloth lightly. The moistened and wet cloth may damage the Video Sonic. Abrasive powder or solvent is not allowed to apply to the Video Sonic.