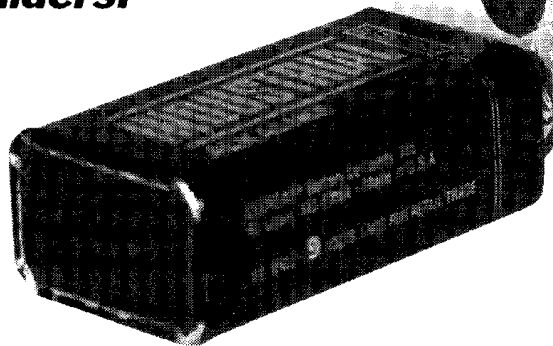


SIMPLE FM TRANSMITTER

This handy FM transmitter makes a great one-evening project, even for first-time builders!

JAMES A. MELTON



THERE IS NO THRILL LIKE THE THRILL you get from operating equipment you have built yourself. If you have never built a project from a magazine before, let this FM transmitter be your first—you'll see how much satisfaction and fun you can have!

The FM transmitter is designed to run from a 9-volt battery and is made from readily available parts. The author's primary use is as a baby monitor, but the uses of a transmitter like this one are almost limitless. It is very sensitive, and easily capable of picking up a conversation in any part of a room. The dimensions and values given here will allow static-free reception within the perimeter of most homes.

No license is required for this transmitter according to FCC

regulations regarding wireless microphones. (The emissions must stay within a band of 200 kHz, its output between 88 and 108 MHz, and the field strength of the radiated emissions must not exceed 50 $\mu\text{V}/\text{m}$ at a distance of 15 meters from the device.) If powered from a 9-volt battery and used with an antenna no longer than 12 inches, the transmitter's radiated power will be within the FCC limits. The FCC takes a dim view of persons operating outside the legal power limits, so please do not substitute any components in this circuit which would alter the output power.

Circuitry

Take a look at the schematic in Fig. 1. Audio is picked up from the room by an electret micro-

phone and amplified by Q1. Resistors R2–R5 set up the DC operating bias of Q1. Capacitor C3 serves to improve the AC response to the audio voltage, and C2 blocks the DC bias and couples the AC to the next stage, where the RF action takes place. The amplified AC voltage from Q1 is routed to the base of Q2. Transistor Q2 and associated circuitry (C5 and the inductor) form an oscillator that operates in the 80–130 MHz range. The oscillator is voltage-controlled, so it is modulated by the audio voltage that is applied to the base of Q2.

Resistor R6 limits the input to the RF section, and its value can be adjusted as necessary to limit the volume of the input. That will help control the amount of distortion you have on very loud inputs. Resistors R7–R9 set the DC operating bias of Q2, another 2N2222 that's used as the oscillator and modulator of the transmitter. Capacitor C5 is a 6–50 pF trimmer capacitor that's used to tune the oscillator tank circuit, and C4 routes the RF from the oscillator to ground to prevent unstable operation.

Construction

The FM transmitter is built on a piece of perforated construction board with 0.1-inch hole spacing. Component spacing is not critical, but placement is. You should place the components on the board in a layout that is similar to the prototype shown in Fig. 2. Generally, you will also want to make the transmitter as small as possible.

Let's start from the left side of the schematic and work to the right. You'll want to cut out a piece of perfboard that is 12 holes wide and 30 holes long. That will give you plenty of room to work with, but still produce a small unit. First lay out two power lines on the board with bare wire; the positive supply from the battery will be on top, and the negative (ground) will be on the bottom.

A 1K resistor (R1) supplies the bias voltage for the microphone. Remember to install the resistor vertically, next to the positive supply line, and bend the other end of the lead to the board. Go through the board and down toward the ground bus. Now insert the microphone leads into the

PARTS LIST

All resistors are 1/8-watt, 5%.

R1, R6—1000 ohms

R2—15,000 ohms

R3—6800 ohms

R4—10,000 ohms

R5, R7—4700 ohms

R8—2200 ohms

R9—220 ohms

Capacitors

C1, C3—10 μ F, 25 volts, electrolytic

C2—2.2 μ F, 25 volts, electrolytic

C4, C7—0.1 μ F, 25 volts, ceramic

C5—5–60 pF trimmer

C6—hand-made capacitor (see text)

Semiconductors

Q1, Q2—2N2222 NPN transistor

Other components

L1—hand-made coil (see text)

Miscellaneous: perforated construction board, 9-volt battery, battery clip, electret microphone, 24-gauge insulated wire, bare wire, solder, etc.

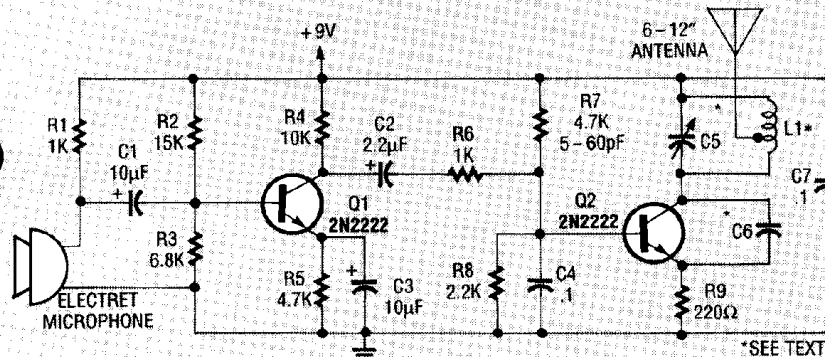


FIG. 1—FM TRANSMITTER SCHEMATIC. When powered from a 9-volt battery and used with an antenna no longer than 12 inches, the radiated power will be within the FCC limits.

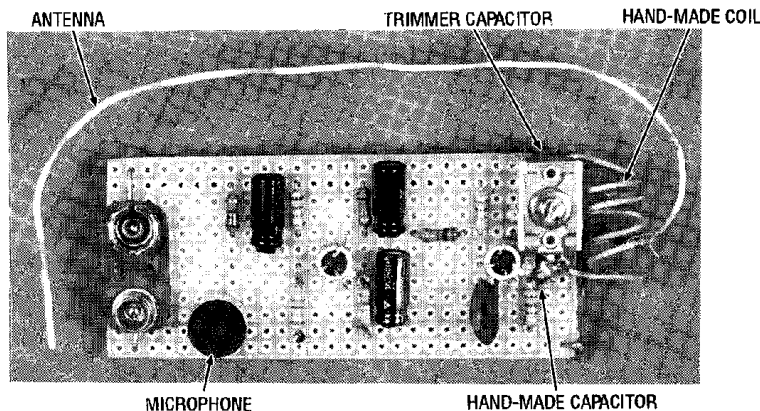


FIG. 2—THE AUTHOR'S COMPLETED PROTOTYPE. Notice how the antenna is soldered to the coil, about 2 turns from the transistor side.

board, making sure that the ground lead of the microphone can be soldered to the ground bus on the board. Route the lead from R1 to the positive lead of the mi-

crophone and solder it. The 10- μ F capacitor, C1, should be placed in the middle of the board, oriented as shown on the schematic, and soldered to the micro-

phone/R1 junction.

This project requires two hand-made parts—coil L1 and capacitor C6—but you make both of them yourself using only wire and a common pencil for a coil form. The inductor is made by winding two pieces of 24-gauge insulated wire, laid side by side, around a pencil six times. Remove the coil you have formed and unscrew the two coils apart from each other. One of these coils, the better-looking of the two, will be used in the tank circuit (L1) and the other can be

continued on page 99