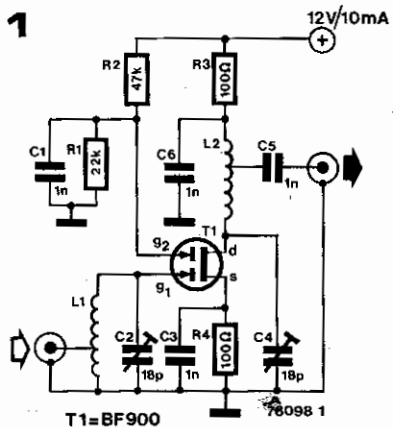
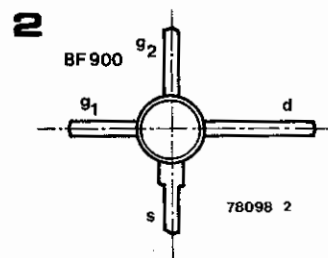


VHF preamp 26



Designing a preamp for the VHF waveband (around 100 MHz) is not always an easy matter. This circuit, however, is both relatively simple to use and is inexpensive. It has the advantage of a fairly large bandwidth (2 MHz) and good noise figure (2.5 dB). The preamp has a large dynamic range and a gain of 20 dB at a frequency of 144 MHz.

L1 and L2 are air-cored coils with an internal diameter of 6 mm and consist of 4 turns of 1 mm silver-plated copper wire. L1 is tapped one turn from the earthy end, whilst L2 has a tap one turn from the end



nearest R3. Ceramic types are recommended for the four 1 n capacitors.