

cb radio call light

CB transceivers are often installed on motorcycles, sports cars, snowmobiles and in countless other noisy locations. The high noise level may cause an operator to miss an incoming call. An article in *Electron* magazine (Toronto, Ont.) shows how a call light can be added to indicate that a signal is being received.

The circuit in Fig. 1 can be added to receivers that produce a negative-going voltage at the squelch output when a signal comes on the air. The lamp turn-on voltage depends on the setting of the squelch control. The indicator circuit can also be driven by the emitter voltage of an rf transistor if this voltage swings negative on an incoming signal. With this arrangement, the lamp comes

on with a S4-S6 signal. The circuit in Fig. 2 can be used in sets where an in-

coming signal develops a positive-going voltage.

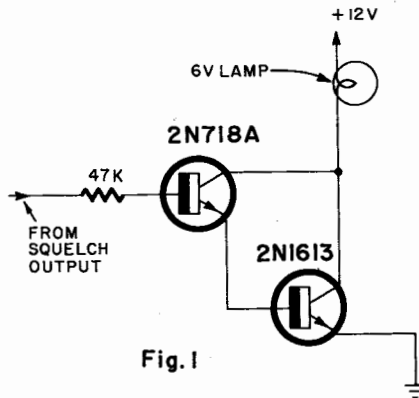


Fig. 1

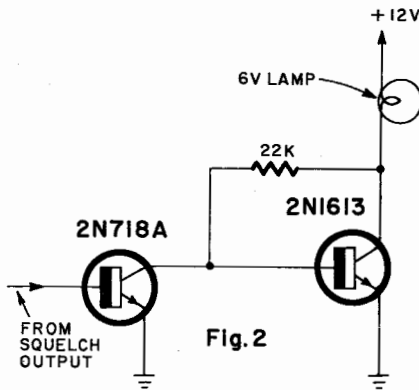


Fig. 2