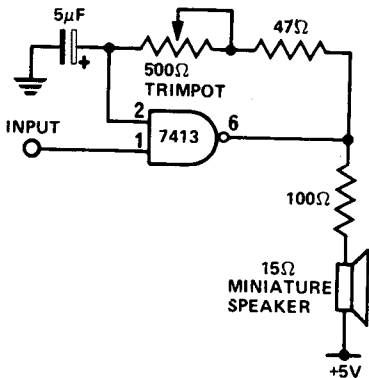


MAKING SLOW LOGIC PULSES AUDIBLE



For monitoring slow logic pulses a Schmitt trigger is connected as an oscillator. The trimpot controls the pitch of the output. Very useful as a keying monitor or digital clock alarm. When the input goes high, the 7413 will oscillate.