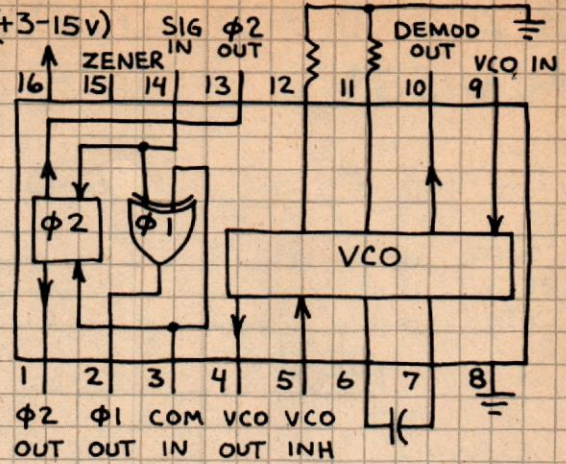


ASE-LOCKED LOOP (PLL)

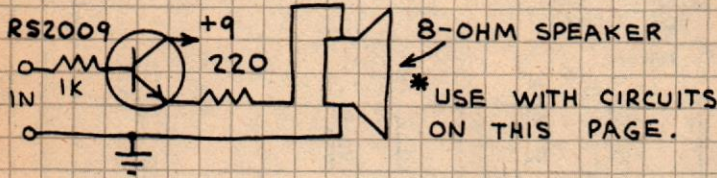
V_{DD} (+3-15V)



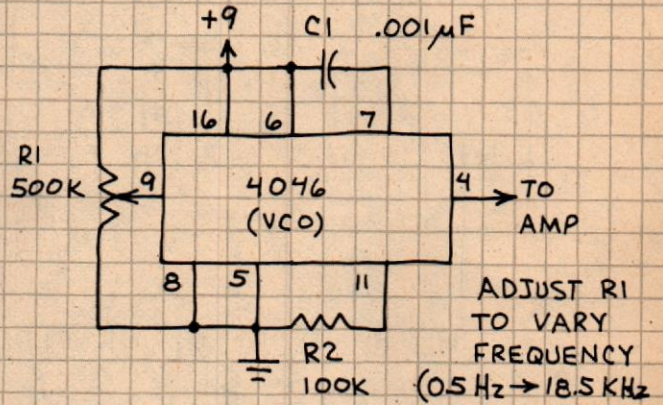
4046

EXCEPTIONALLY VERSATILE CHIP. CONTAINS TWO PHASE COMPARATORS AND VOLTAGE CONTROLLED OSCILLATOR (VCO). USE VCO AND ONE PHASE COMPARTOR TO MAKE PLL. CIRCUITS ON THIS PAGE USE VCO ONLY. SEE RADIO SHACK SEMICONDUCTOR REFERENCE HANDBOOK FOR MORE INFORMATION.

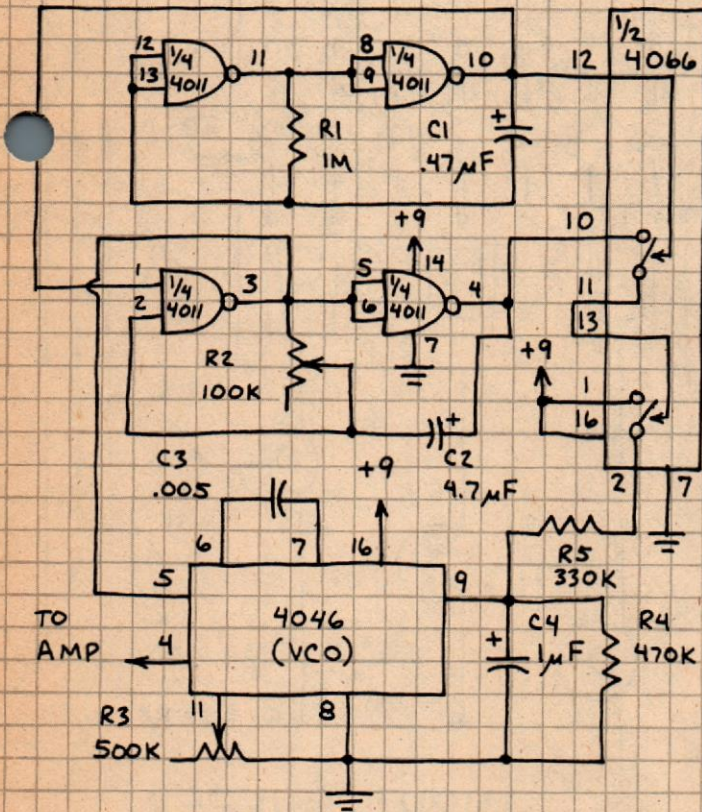
SPEAKER AMPLIFIER*



TUNABLE OSCILLATOR



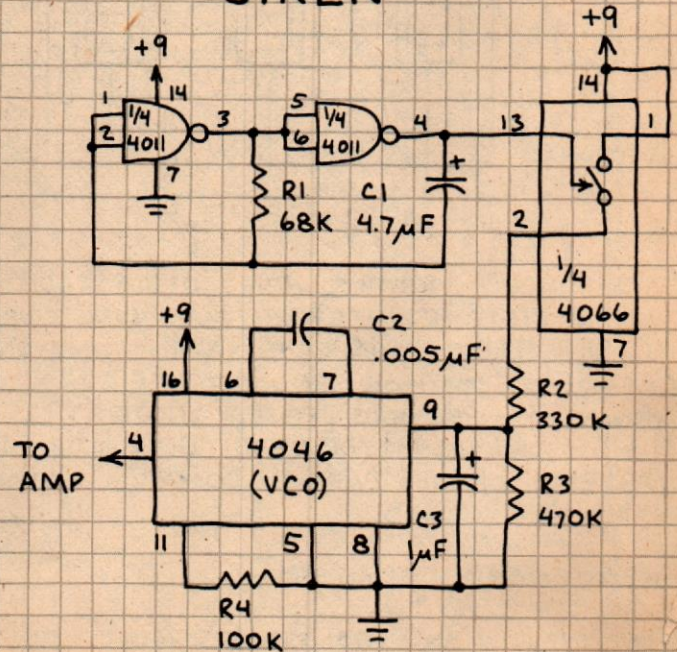
CHIRP BURST SEQUENCER



R2: ADJUST FOR 1-4 CHIRPS PER CYCLE. CHIRPS WILL HAVE DIFFERENT FREQUENCIES.

—: CONTROLS PITCH OF CHIRPS. FOR TONES INSTEAD OF CHIRPS, CONNECT TO PIN 12 INSTEAD OF PIN 11.

SIREN



CHANGE R1 OR C1 TO ALTER CYCLE TIME. CHANGE R4 OR C2 TO ALTER FREQUEN. CHANGE R3 OR C3 TO ALTER WALL.