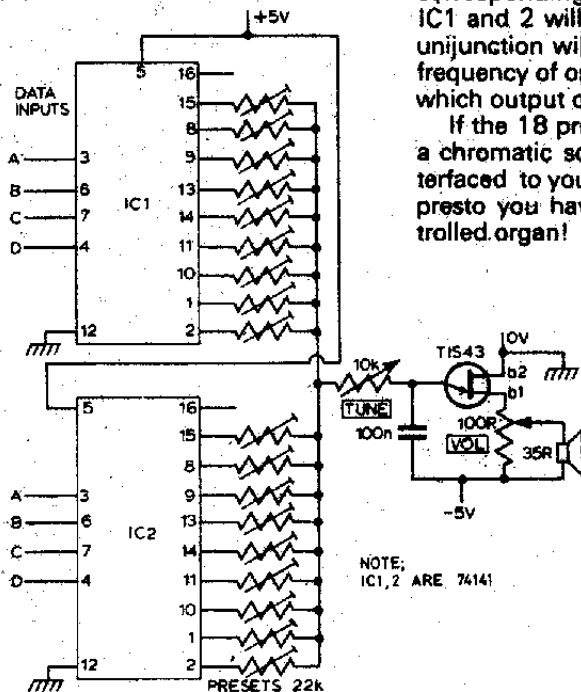


BCD Tone Generator

P. Bailey

When one of the binary codes in the table is set up on the data inputs, a corresponding preset connected to IC1 and 2 will be grounded, and the unjunction will start to oscillate. The frequency of oscillation depending on which output of the ICs is grounded.

If the 18 presets are tuned to form a chromatic scale and the inputs interfaced to your MPU data bus — hey presto you have a simple MPU controlled organ!



NOTE;
IC1,2 ARE 74141

NOTE No.	CODE (BINARY) HGFE DCBA
1	0000 0001
2	0000 0010
3	0000 0011
4	0000 0100
5	0000 0101
6	0000 0110
7	0000 0111
8	0000 1000
9	0000 1001
10	0001 0000
11	0010 0000
12	0011 0000
13	0100 0000
14	0101 0000
15	0110 0000
16	0111 0000
17	1000 0000
18	1001 0000