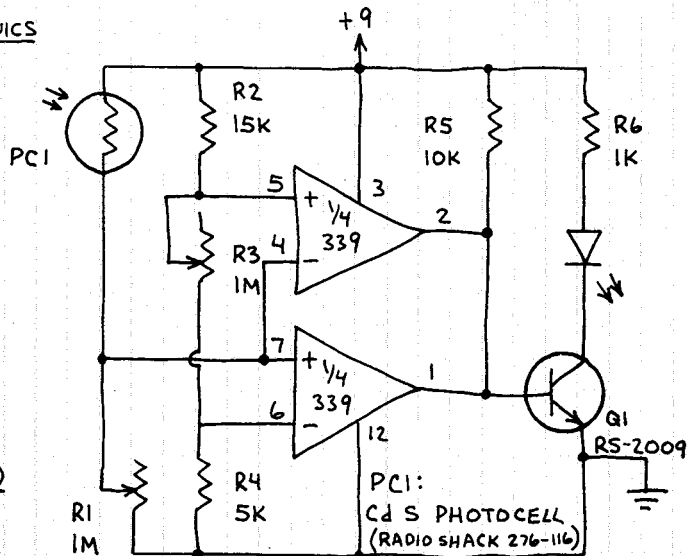


PROGRAMMABLE LIGHT METER

ICS



ADJUST R1 AND R3 SO LED GLOWS WHEN LIGHT AT PC1 IS ABOVE OR BELOW ANY DESIRED LEVEL.