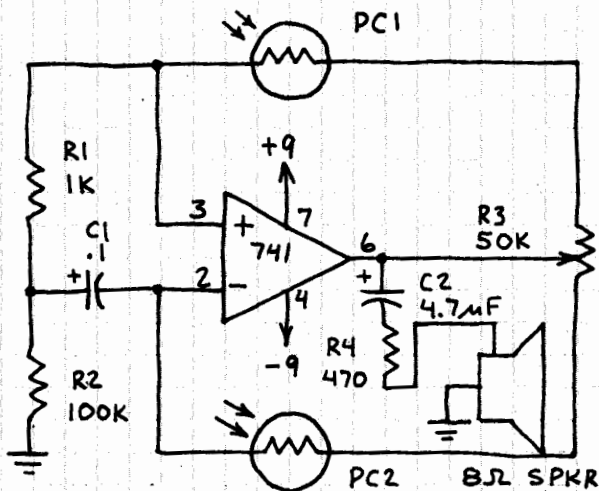


AUDIBLE LIGHT SENSOR



PC1, PC2 - CdS PHOTOCELLS
(RADIO SHACK 276-116)

LIGHT ON PC1 DECREASES TONE FREQUENCY.
LIGHT ON PC2 INCREASES TONE FREQUENCY.