

THIS SECTION REPEATED 16 TIMES

WITH 8 3302 I.C.'S

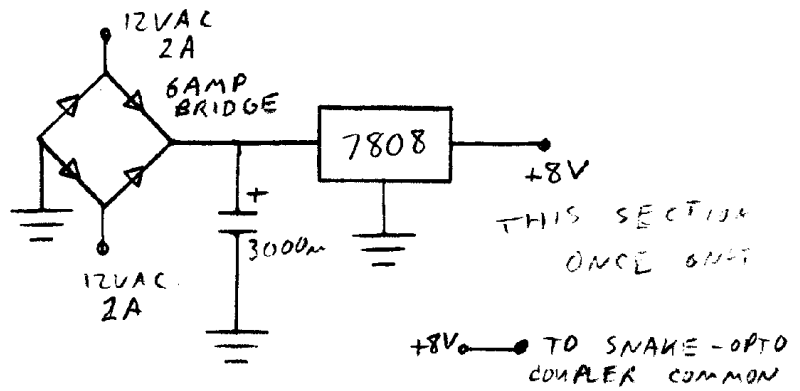
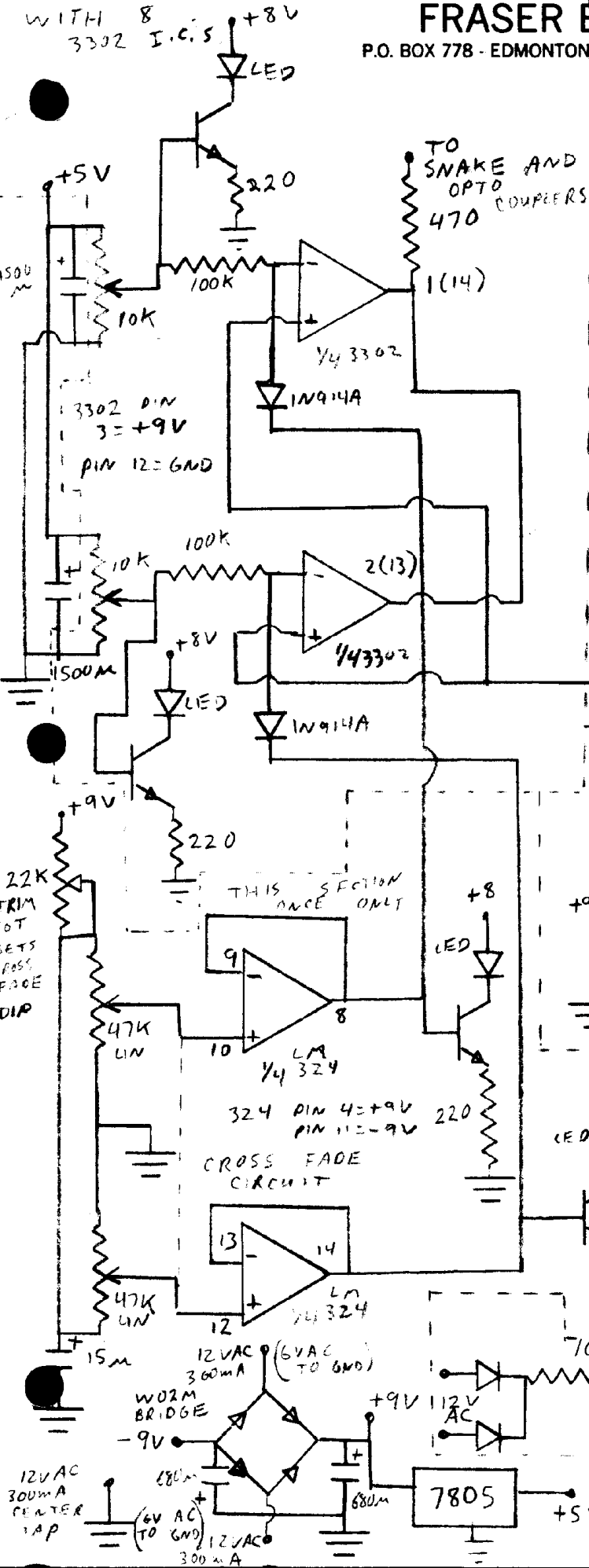
REPEATED

FRASER ELECTRONICS

P.O. BOX 778 - EDMONTON, ALBERTA T5J 2L4

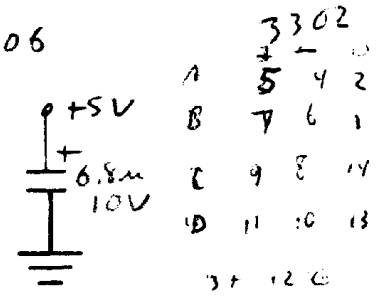
CONTROL CONTROL

16-2 DIMMER BOARD



ALL NPN = MPS 5172 - MIN $\beta = 250$

ALL PNP = 2N3906



FRIM OT SETS PAGES PAGE DIP

12VAC 300mA CENTER TAP

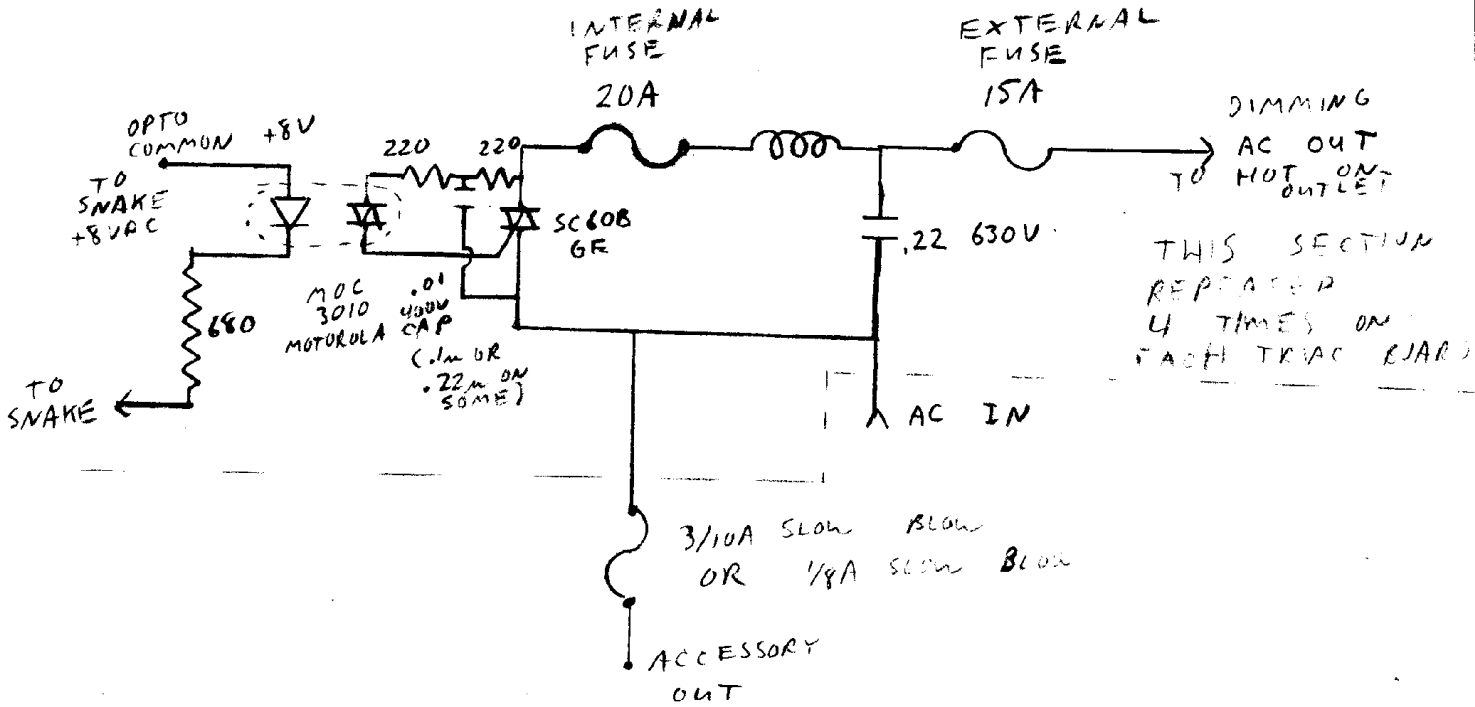
THIS SECTION REPEATED TWICE

MAR. 25/79

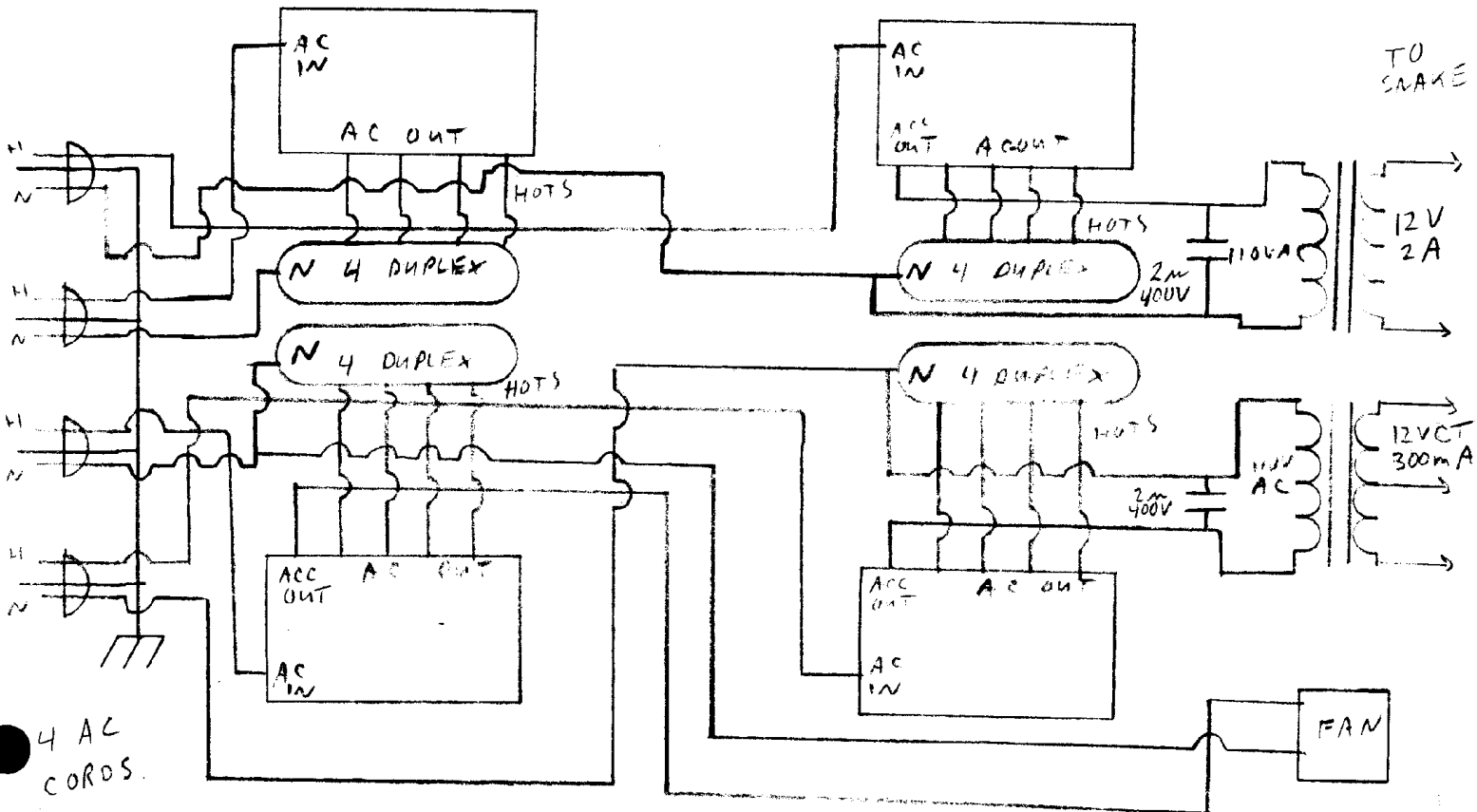
POWER
PACK
16-2
DIMMER
BOARD

FRASER ELECTRONICS

P.O. BOX 778 - EDMONTON, ALBERTA T5J 2L4 -



POWER PACK WIRING



Nov 25/79
D. Fraser