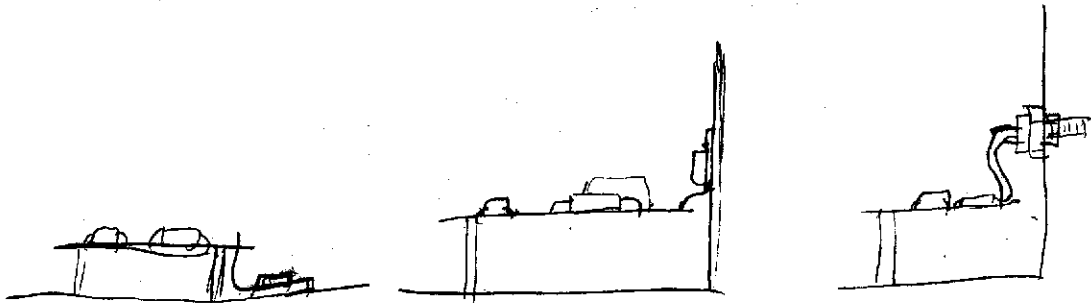


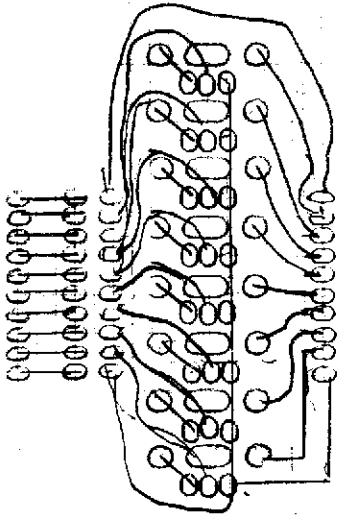
R4 ONLY FOR
MOC 3030 / 3031 OPTO
ALSO DELETE C1 WITH MOC 3030

LED MAY BE REPLACED WITH A SHORT IF STATUS INDICATOR IS NOT REQUIRED.

R5 - 68K AND LD1 WHICH IS AN NE-2 LAMP ARE FOR A BLOWN FUSE DETECTOR

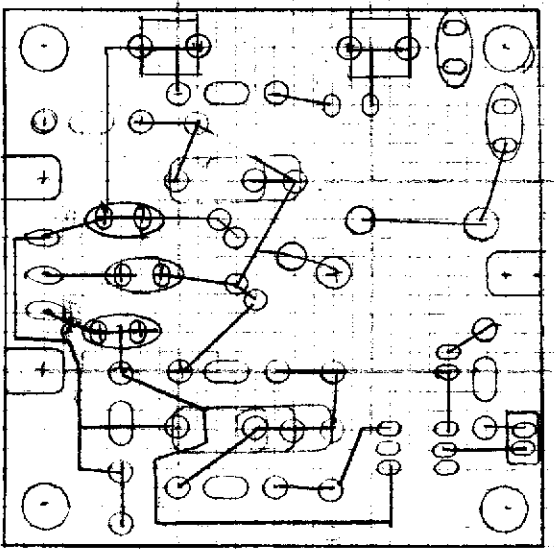
JUMPER J1 IS TO ALLOW A COIL TO BE PUT IN ON A DIMMING UNIT

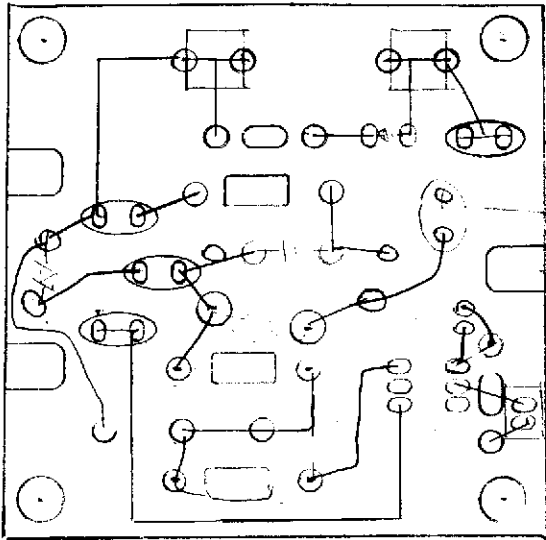
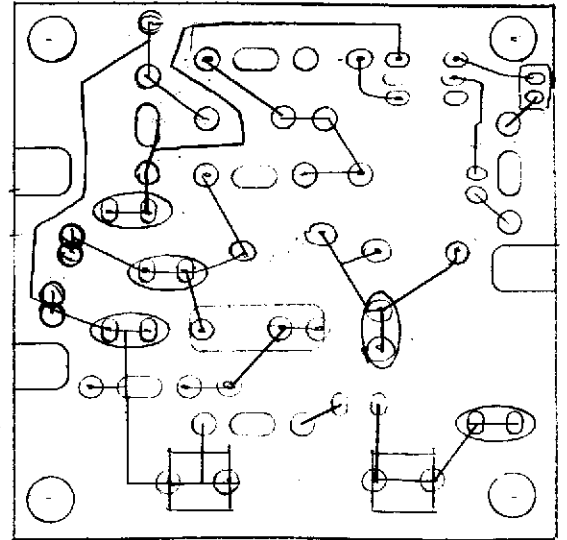
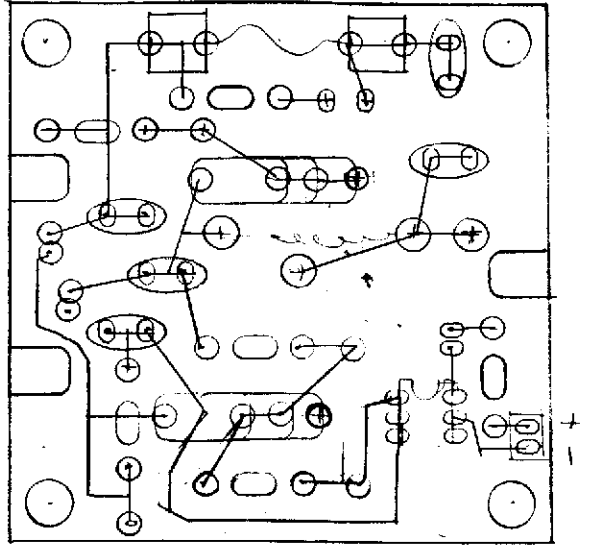




Battery Board

SCTB





SINGLE CHANNEL TRIAC BOARD
from FRASER ELECTRONICS

The FRASER ELECTRONICS Single Channel Triac Board (SCTB) is a versatile circuit board which can be used for virtually any power switching application. It has been designed with the needs of the entertainment industry in mind though it may be used in virtually any industrial application also.

It is available in any form from the bare board to fully assembled units in enclosures. Options include a status LED and a neon blown fuse indicator.

BARE SCTB:	Undrilled	\$6.00
.	Drilled	\$9.95

Assembled SCTB with "3010" opto-coupler, fuse holder, control connector set, power in/out connector tabs, triac driver resistors and capacitor and control input current limiter resistor (please tell us what control voltage you are going to use) but excluding triac: \$17.95

Options:

1. Neon blown fuse indicator: \$0.50
2. Status LED (in series with opto input side): \$0.30
3. RC Snubber network across triac: \$1.00
4. MOV across triac main terminals -25 Joule:\$2.25 -50 Joule:\$4.75
5. Dimmer noise suppression coil (Wound with 14 gauge wire on ferrite former): \$5.20
6. "3030" type zero crossing opto-coupler: \$1.00

BASIC SCTB without options or triac, assembled and mounted on 90 degree flange, made from aluminum with mounting holes for stud, plastic or Fastpak triac. (Please specify which you plan to use). Flange is 76mm X 76mm X 76mm and suitable for mounting in larger electrical enclosures for making multichannel power packs: \$21.00

Basic SCTB without options or triac mounted in standard 4" X 4" electrical box. This is suitable for ceiling mounting for remote switching of lighting effects, etc.: \$22.95.

Basic SCTB without options or triac mounted on a flat cover plate for a 4" X 4" electrical box: \$19.95.

TRIACS: Includes appropriate fuse + mounting into enclosures described above.

8A/200 Volt Plastic: \$2.50	8A/400 Volt Plastic: \$2.95
15A/200 Volt Plastic: \$4.35	15A/400 Volt Plastic: \$4.95
25A/200 Volt Plastic: \$5.95	25A/400 Volt Plastic: \$6.60
25A/400 Volt Fastpak: \$17.95	40A/400 Volt Fastpak: \$22.95
25A/200 Volt Iso-Stud:\$23.95	25A/400 Volt Iso-Stud:\$26.95

Please note that the assembled units are made to your order. Most parts are held in stock at all times and delivery normally runs at 7 days. Please contact us with your requirements for assembled power packs. We custom assemble at very reasonable prices and we can interface to any logic or drive system from any type of controller. We will be happy to quote you.

Also note that this March 1986 price list supercedes all previous price lists and is subject to revision at any time. E. & O.E.

FRASER ELECTRONICS - P.O.Box 4265, Vancouver, B.C. V6B 3Z7.
(604)251-7044

