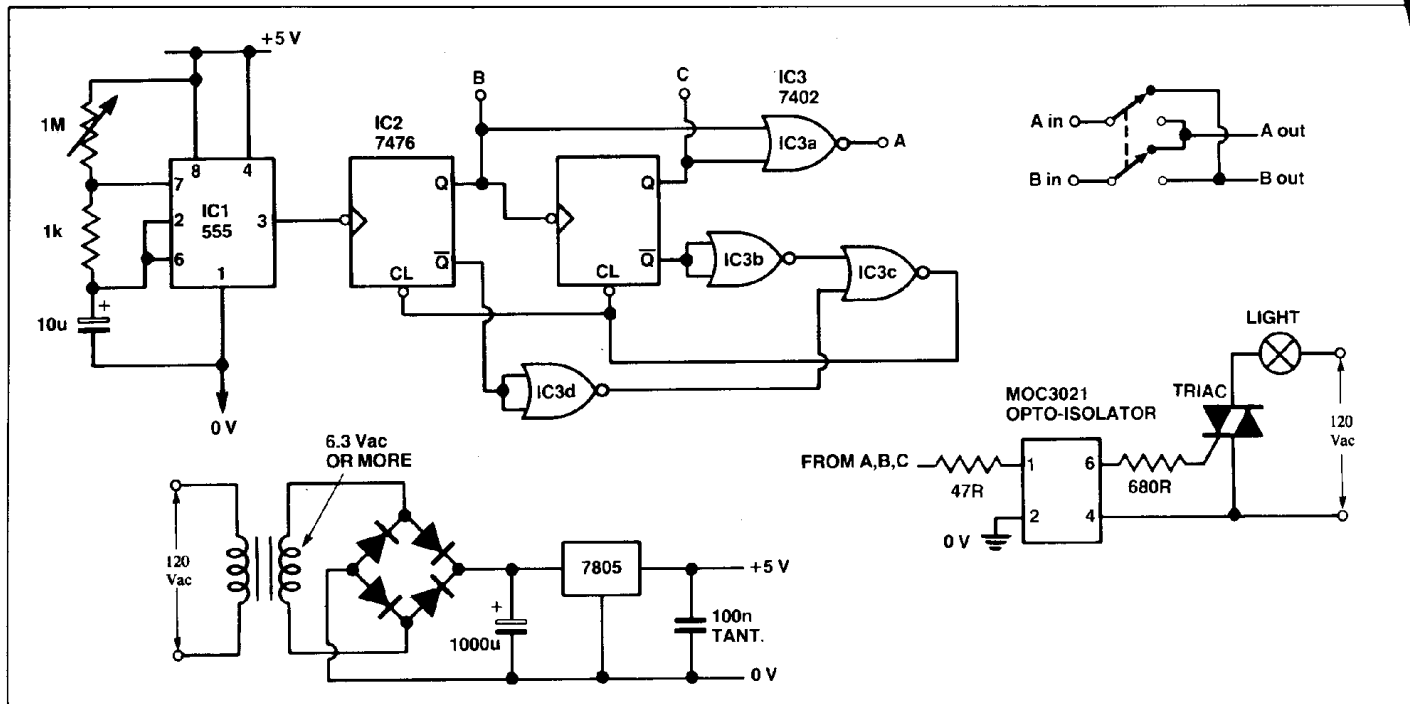


# TECH TIPS



## Three-channel light chaser Stephen Pierrehumbert

This simple idea consists of a three-channel light chaser incorporating a 'reversing' switch so that you can change the direction of the 'chase'.

A 555 is arranged as a variable astable multivibrator (IC1). Its output

drives one flip-flop from a dual JK flip-flop (IC2). The Q output of this flip-flop drives the second flip-flop and a group of NOR gates (IC3) such that three outputs are produced, going high successively. The three outputs then drive optoisolators which trigger triacs which drive the lamps.

A simple power supply circuit pro-

vides supply to IC1, IC2 and IC3. The DPDT switch reverses and A and B drives to reverse the chase sequence. The 1M variable pot varies the speed of the chase.

*Continued on page 74*