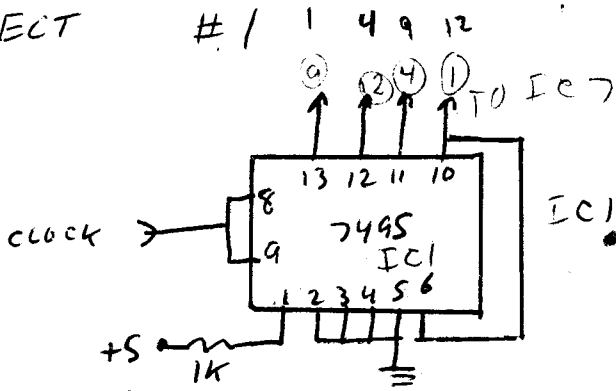


RUNNING LIGHT

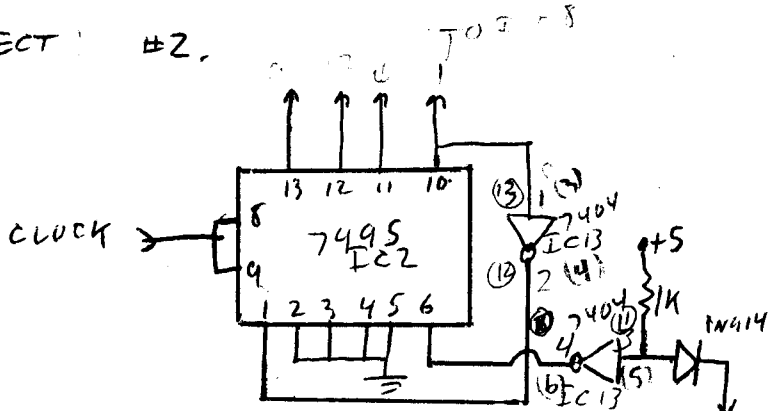
Bo 8 walt

EFFECT #1



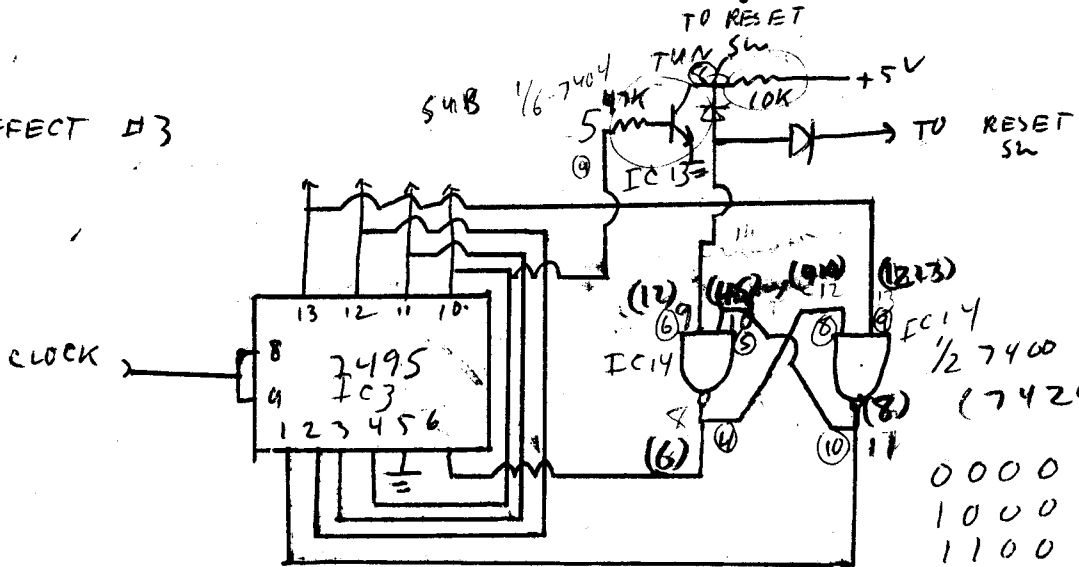
0000
1000
1100
1110
1111
0000

EFFECT #2



0000
1000
1100
1110
1111
0111
0011
0001
0000

EFFECT #3



0000
1000
1100
1110
1111
1110
1100
1000
0000

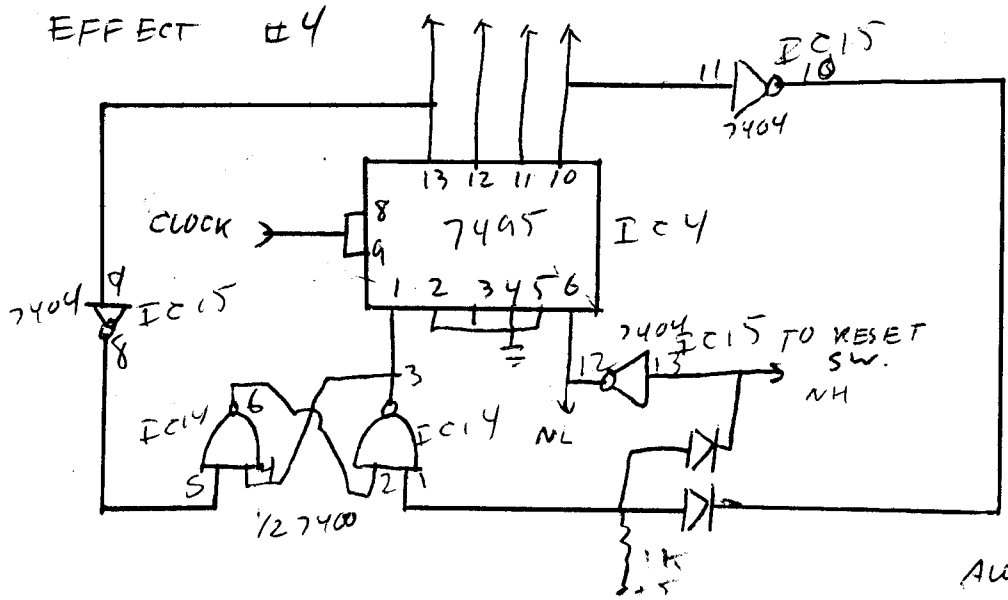
↑ TO RESET SW. ON CTS
 N.O.
 P.B

3-7495
 1/2-7400
 1/3(1/2)-7404

42.381 50 SHEETS 5 SQUARE
 42.382 100 SHEETS 5 SQUARE
 42.389 200 SHEETS 5 SQUARE
 NATIONAL

010
 101

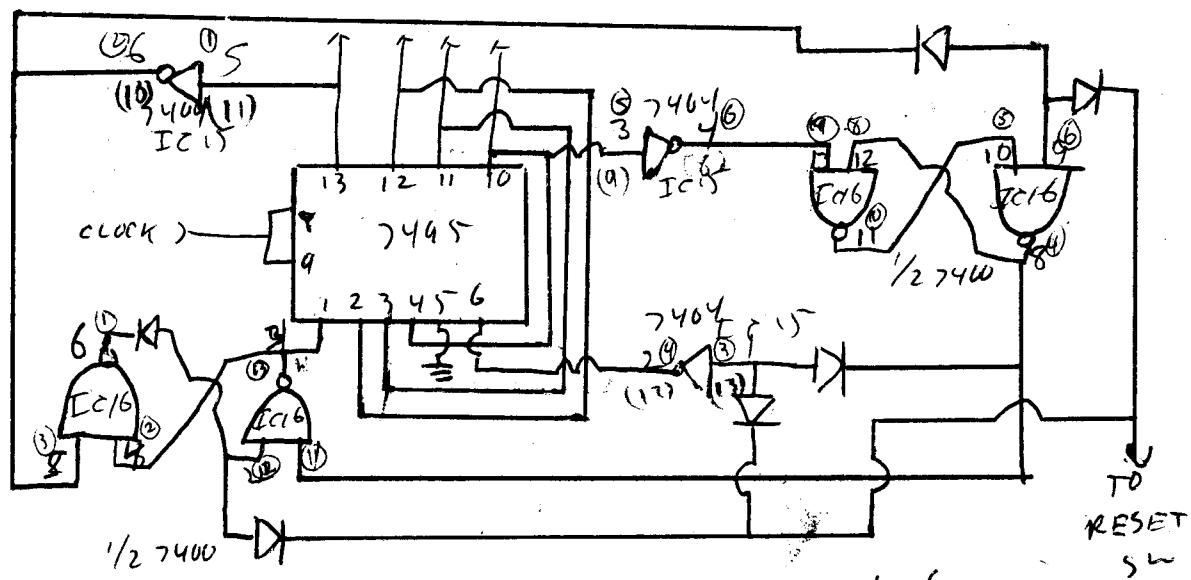
EFFECT # 4



0	0	0	0
1	0	0	0
0	1	0	0
0	0	1	0
0	0	0	1
1	0	0	0

ALL DIODES - 1N914

EFFECT # 5



- 2 - 74195 EFF GEN
- 1/2 - 7400
- 1 - 7404
- 7400 + 7404 + 7432 7404
- 1 -> D0 - 3
- 2 -> D1 - 6
- 4 -> D2 - 6
- 5 -> D3 - 8
- 10 -> D4 - 8
- 12 -> D5 - 11
- 13 -> D6 - 12

0	0	0	0	1	6
1	0	0	0	L	L
0	1	0	0	L	L
0	0	1	0	L	L
0	0	0	1	L	H
0	0	1	0	L	H
0	1	0	0	L	L
1	0	0	0	H	L
0	1	0	0		

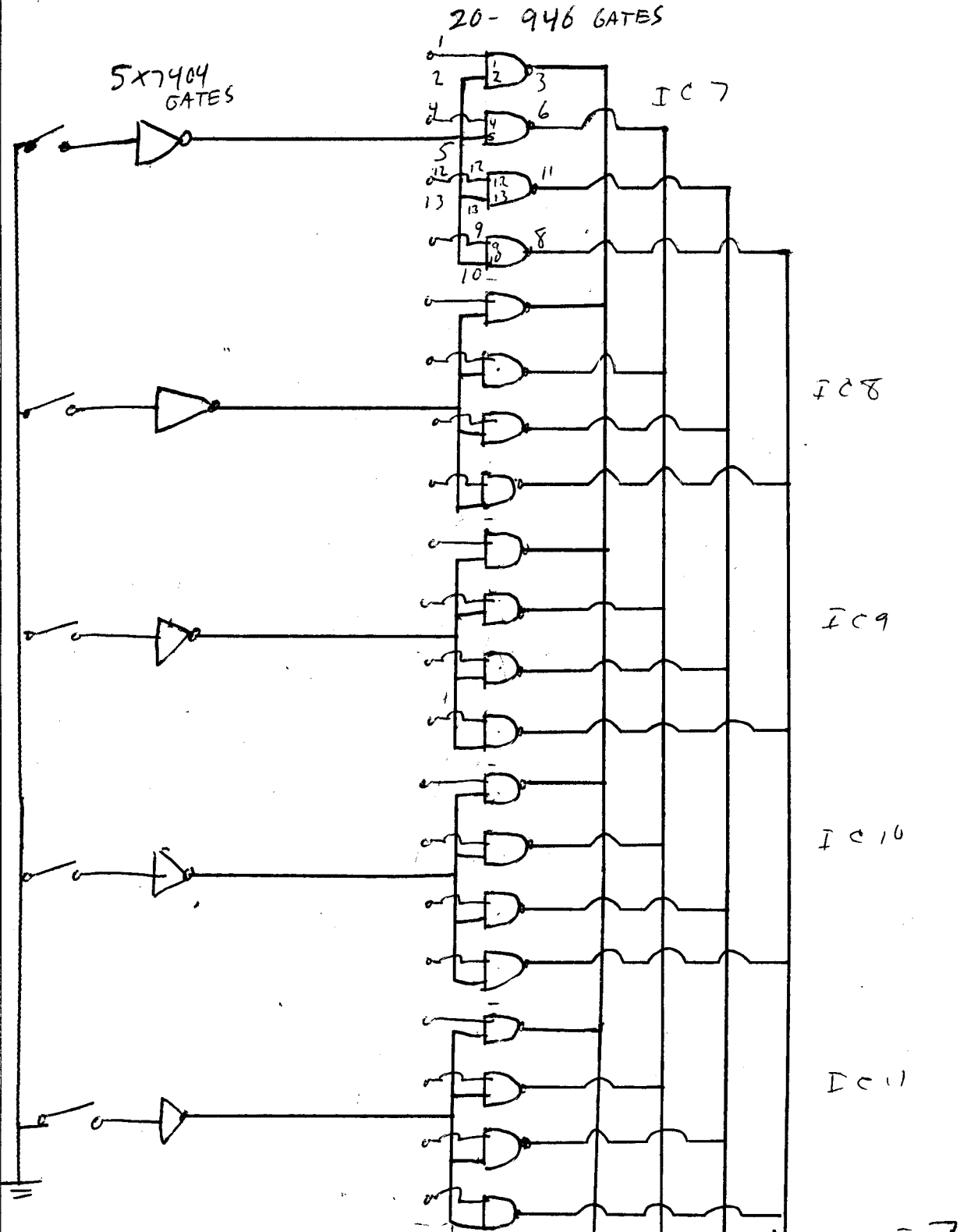
Running height

EFFECT SELECTOR

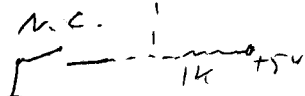
Bo & Walt

3/5

42-381 50 SHEETS 5 SQUARE
42-382 100 SHEETS 5 SQUARE
42-383 150 SHEETS 5 SQUARE
42-384 200 SHEETS 5 SQUARE
NATIONAL INSTRUMENTS CO. U.S.A.

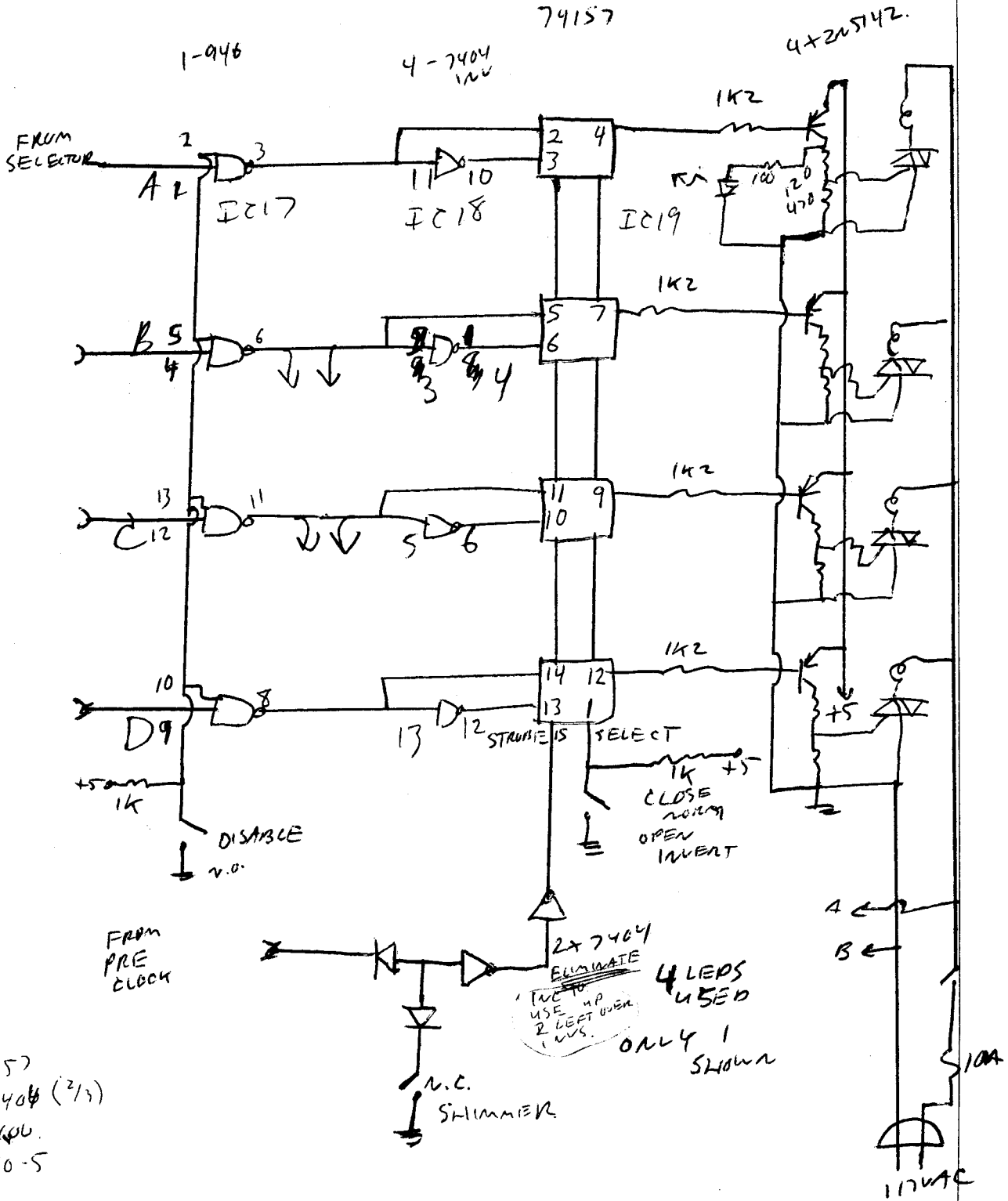


1-7404 (X)
5-7401

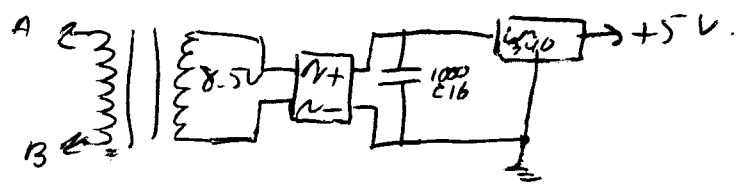


ADD 1 EXTRA SET
FOR 1 EXTRA EFFECT.

D C B A TO IC 12
IC 8
IC 9
IC 10
IC 11

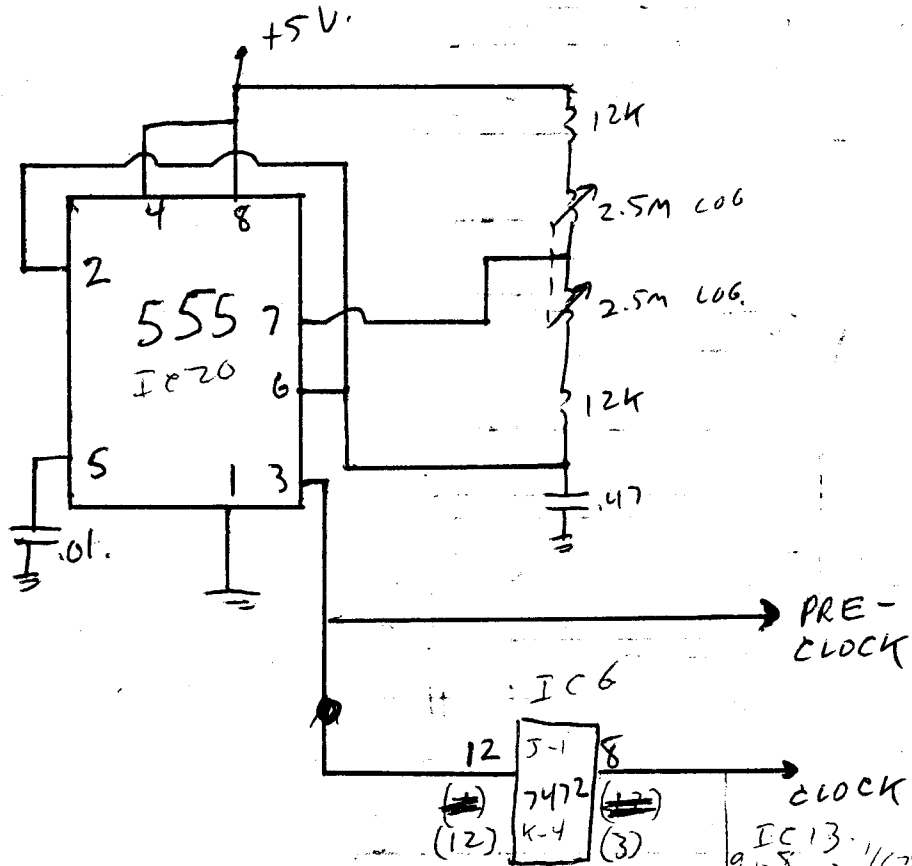


- 1-74157
- 1-7404 (2/3)
- 1-7400
- 1-340-5



42,381, 50 SHEETS 3 SQUARE
 42,382, 100 SHEETS 3 SQUARE
 42,383, 200 SHEETS 3 SQUARE
 NATIONAL
 MINNAPAC

Clock.



- ✓ 1 555 ✓
- ✓ 1 - 7472 ✓
- ✓ 1 - 74157 ✓
- 1 - 7400
- 1 - 340-5

- 1 - 555
- 1/2 - 7473
- 3 - 74164

IC 13
 9 1 5 → 1/6-7404
 11 12 → 1/6-7404
 SPLITUP
 TIME
 CLOCK
 LOAD
 AS FAN IN = 11
 FAN OUT = 10

- ✓ 3 7400 (946-7437-7438) ✓✓
- 5 - 7495
- 5 - 946 - 7438 - 7403 (an) ✓

42,381 50 SHEETS 5 SQUARE
 42,382 100 SHEETS 5 SQUARE
 42,389 200 SHEETS 5 SQUARE
 NATIONAL