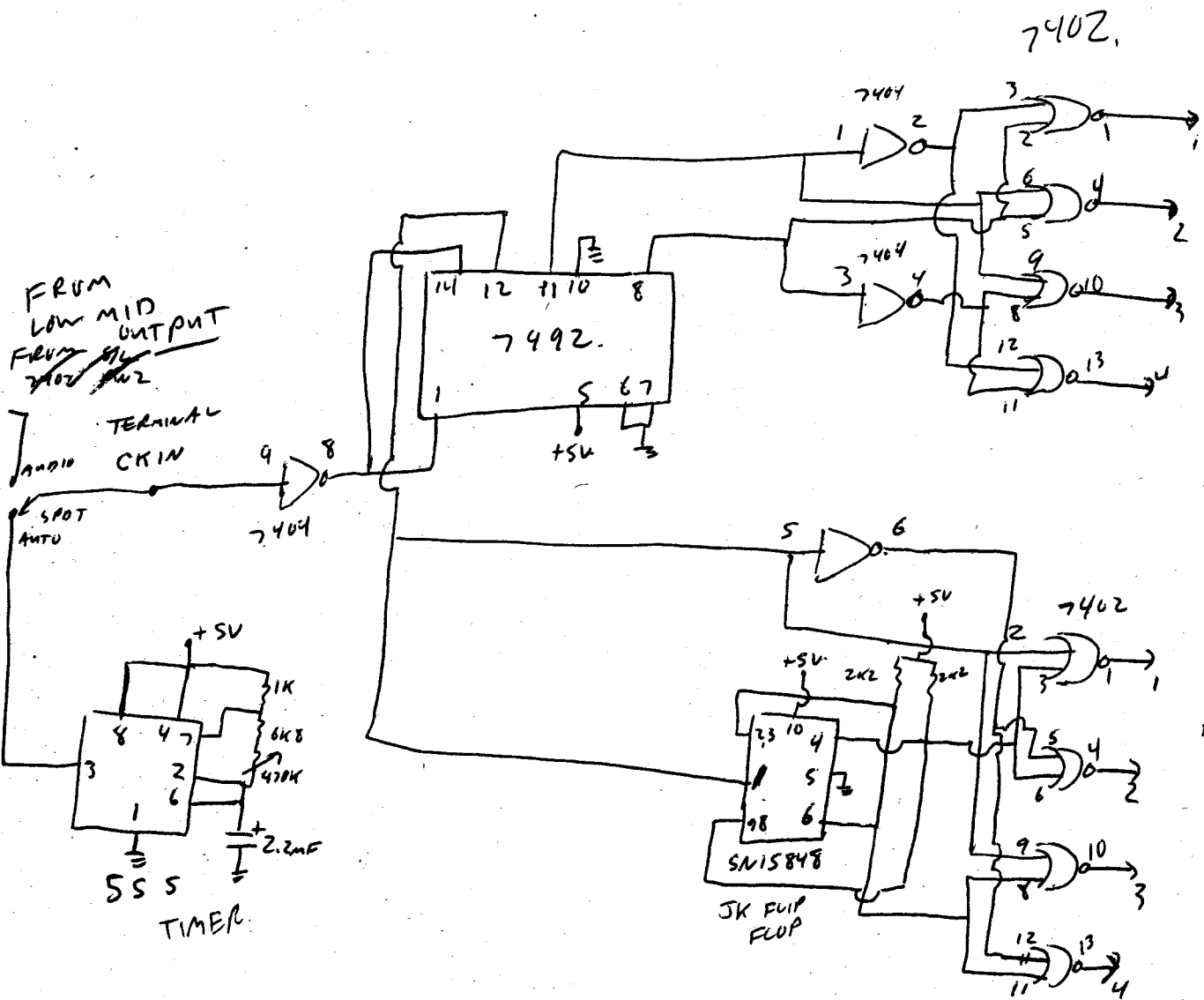


P.O. Box 778
Edmonton, Alta.
T5J 2L4



EFF #2
TO ROTARY SWITCH

EFF #1
TO ROTARY SWITCH

JONE SOCKET
PINS 1,3,5,7 = TRACES
2,4,6,8 = HOT OR LIVE

SEE DIGI-COLOR ORGAN
SCHEMATIC FOR
S/L UNIT