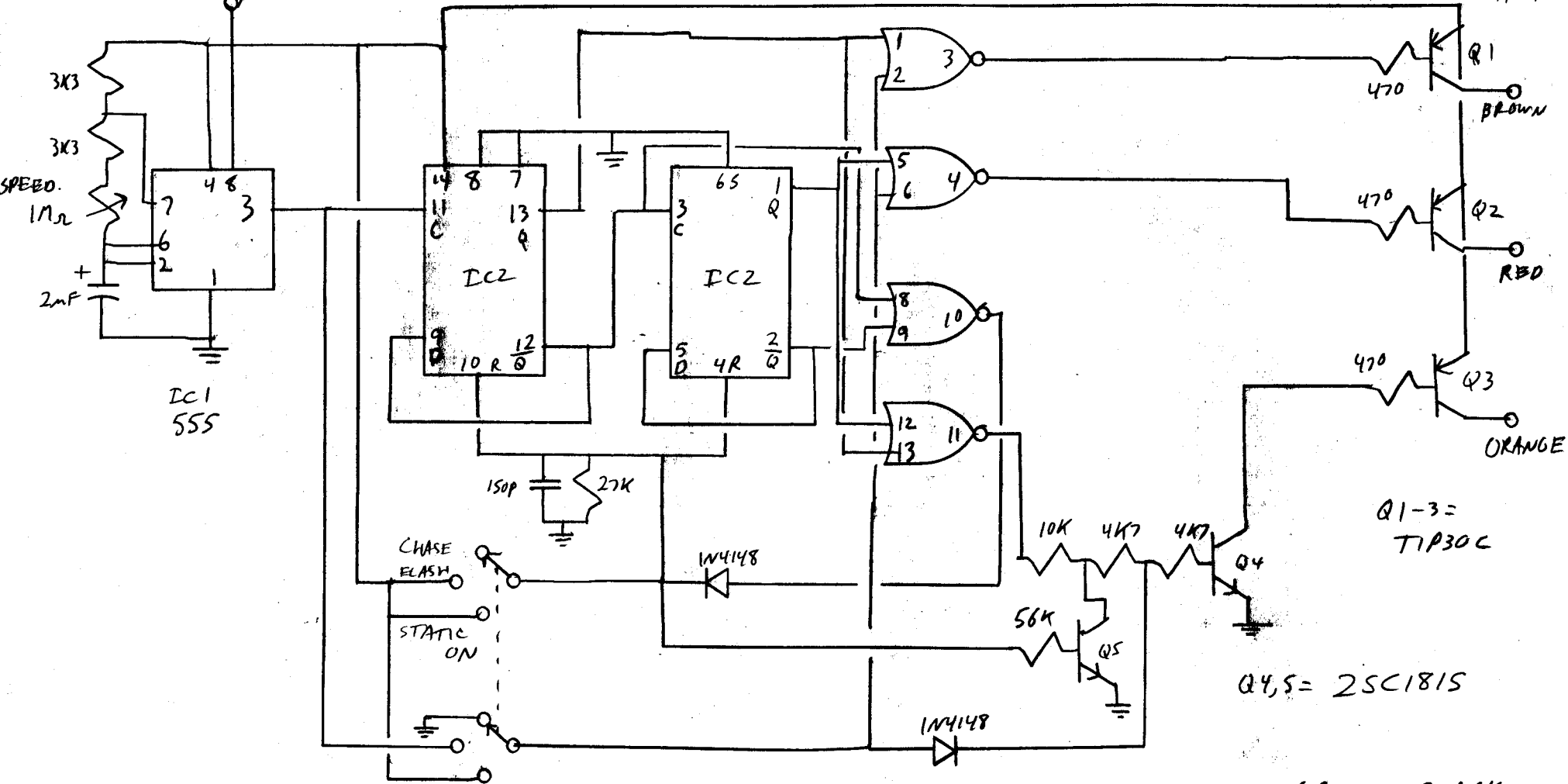


3 CHANNEL CHASER / FLASHER.

3-8V IN YELLOW
6V NOMINAL

TO LAMPS



Q1-3 = TIP30C

Q4,5 = 2SC1815

GROUND = BLACK

IC2 = 4013

IC3 = 4001

FRASER ELECTRONICS
Sound & Lighting Specialists
P.O. Box 4265
Vancouver, B.C. V6B 3Z7
Ph. (604) 251-7044

FOR JOHN AVERY
BY DAN FRASER
VANCOUVER B.C.
JUNE 2, 1976.