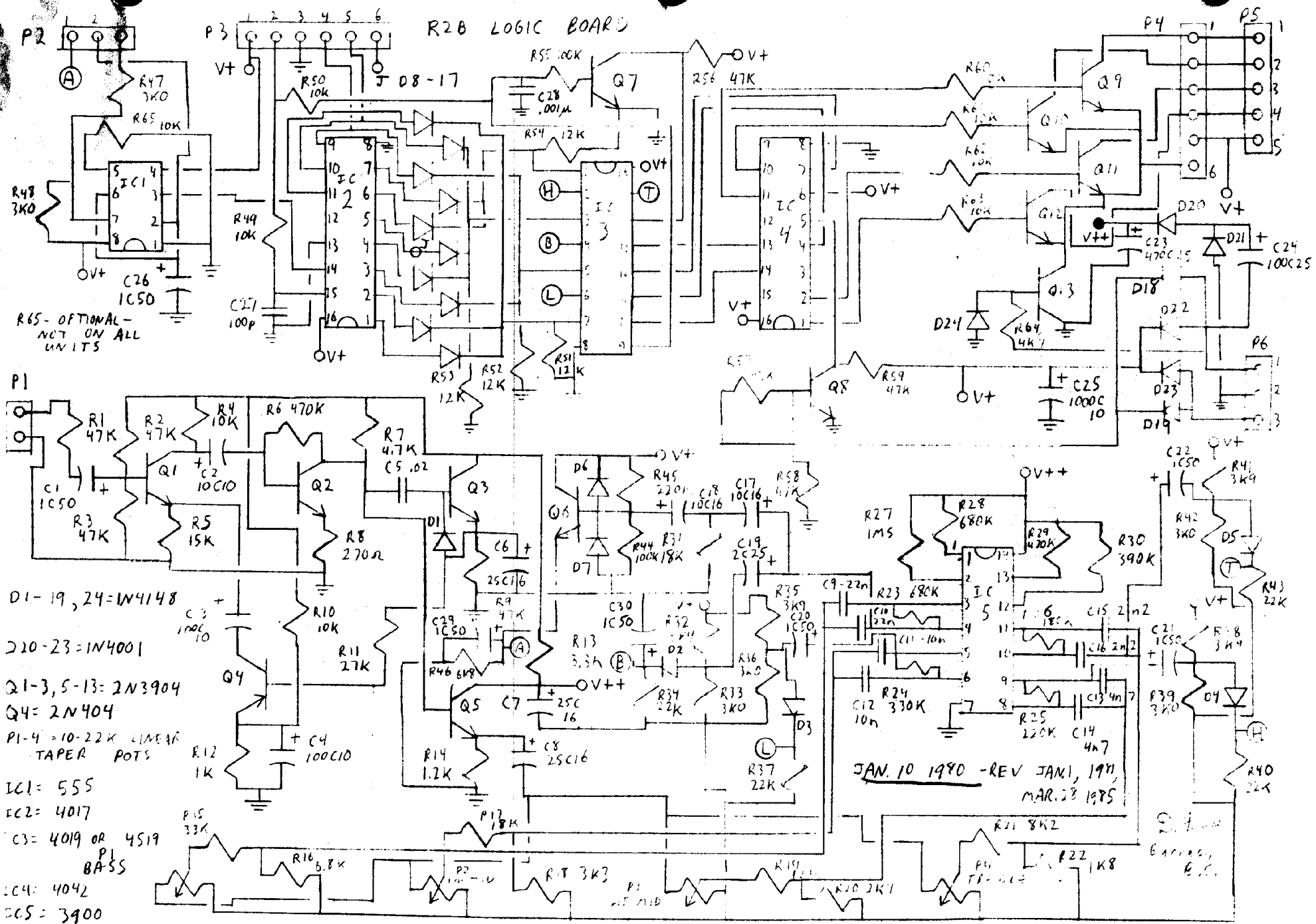


R2B LOGIC BOARD



R65 - OPTIONAL - NOT ON ALL UNITS

- D1-19, 24 = 1N4148
- D20-23 = 1N4001
- Q1-3, 5-13 = 2N3904
- Q4 = 2N404
- P1-4 = 10-22K LINEAR TAPER POTS
- IC1 = 555
- IC2 = 4017
- C3 = 4019 OR 4519
- C4 = 4042
- C5 = 3900

JAN. 10 1980 - REV JAN. 1971, MAR. 28 1975

S. J. ...
GARRETT, E.E.