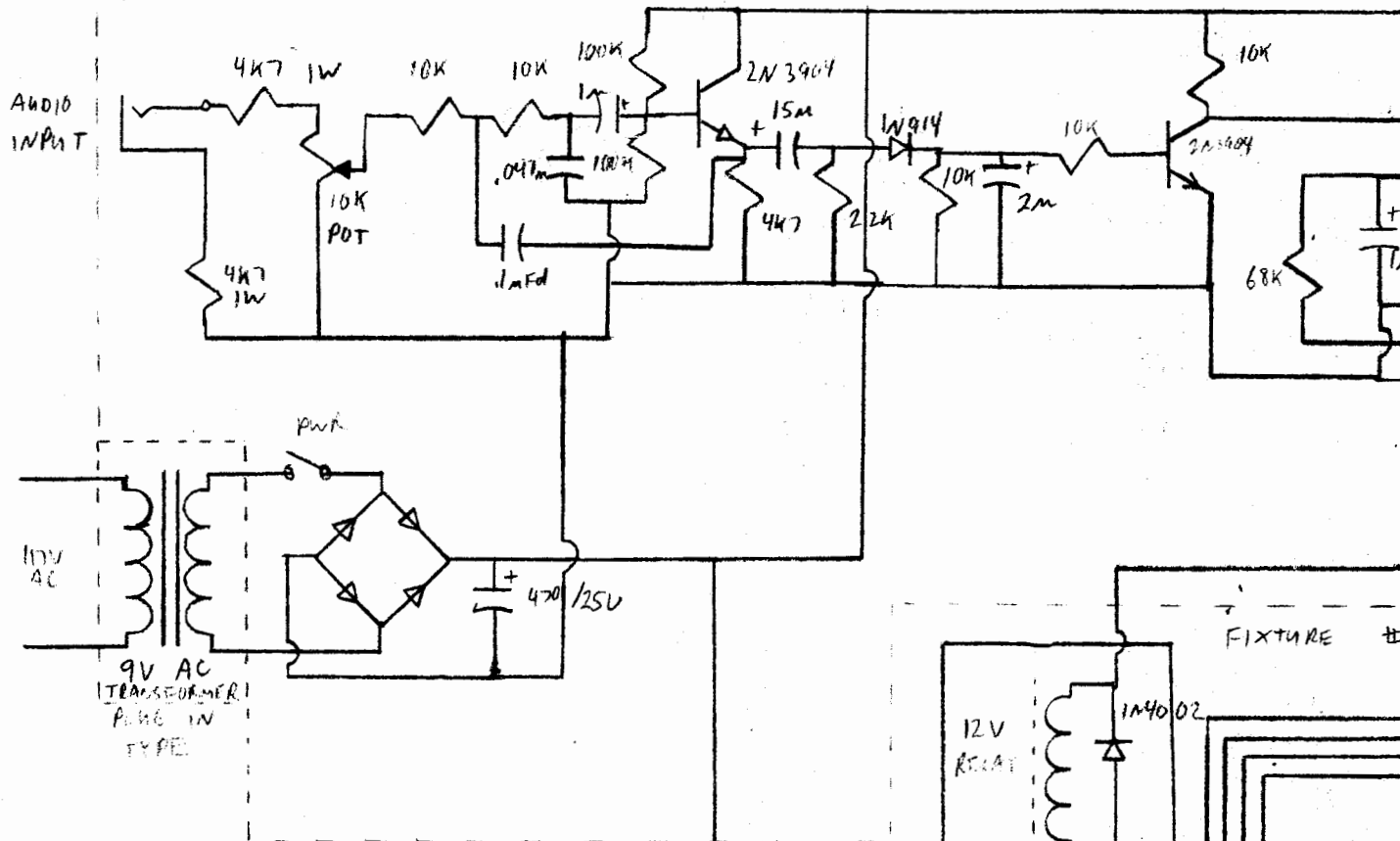


R4 STROBE CONTROLLER

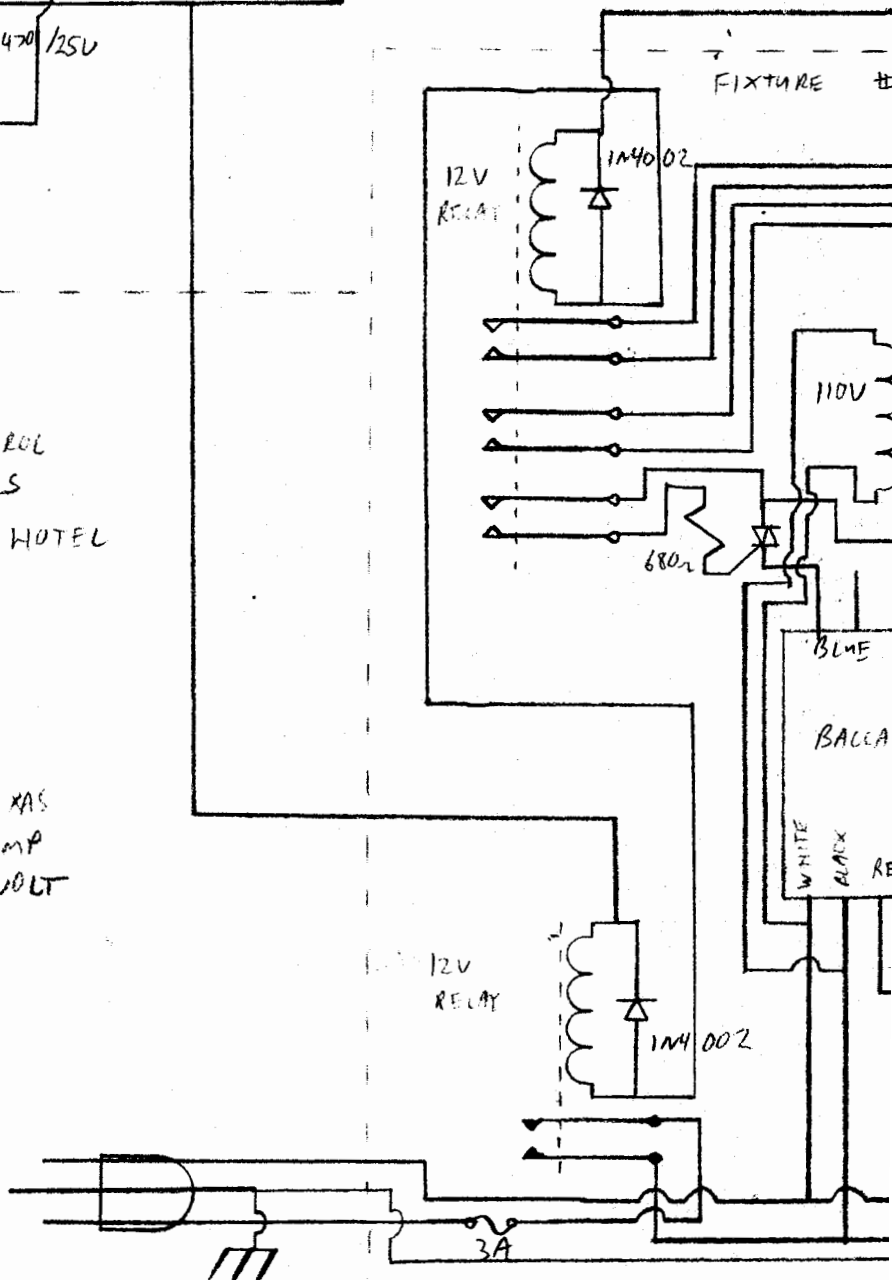


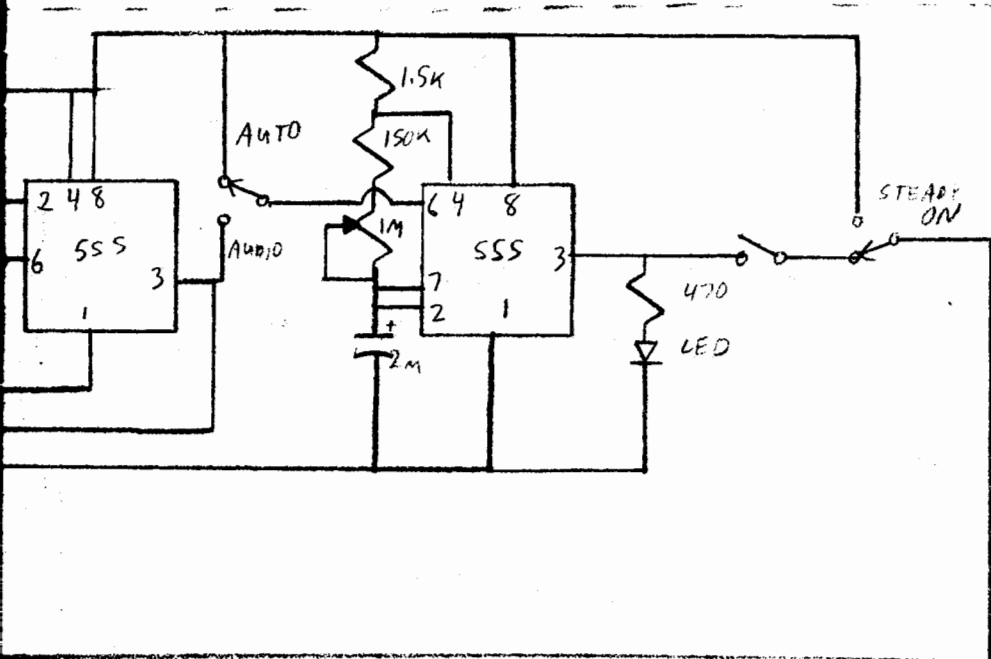
SOUND TO LIGHT
 FLOURESCENT LAMP CONTROL
 SYSTEM FOR SCANDALS
 DISCO- SHERATON CANALAN HOTEL
 EDMONTON, ALBERTA

JUNE 4, 1981
 D. Frazer

TRACS AFE TEXAS
 TIC216D - 6AMP
 400VOLT

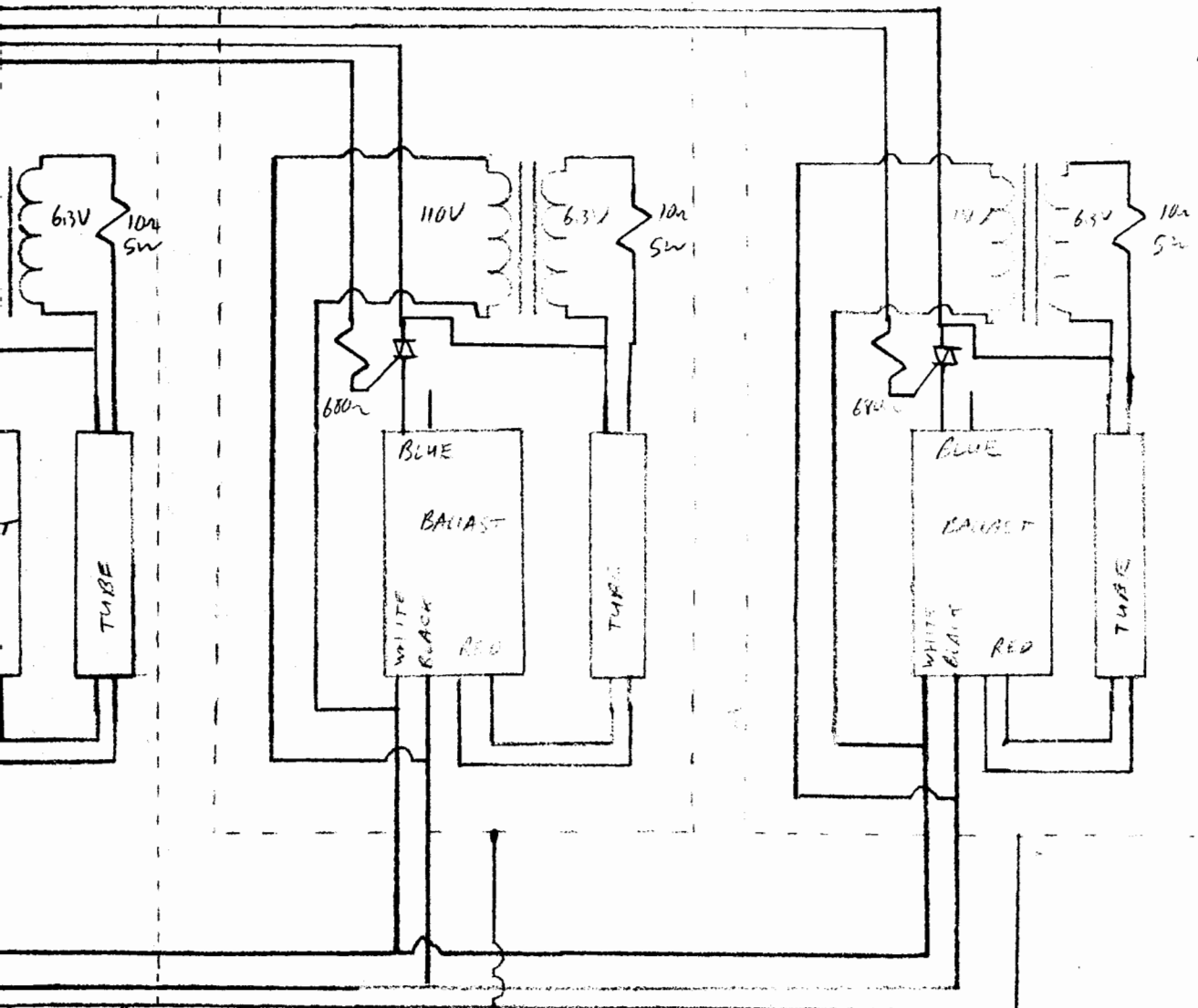
117VAC





FIXTURE # 2

FIXTURE # 3



#	Part	DName	Value		Cost
45	Box	Box		Cardboard box	\$0.65
15	C 1	Cap	.1 mFd	Low pass filter	\$0.12
16	C 2	Cap	.047 mFd	Low pass filter	\$0.12
17	C 3	Cap	1C16	DC blocking	\$0.10
18	C 4	Cap	22C16	DC blocking	\$0.10
19	C 5	Cap	2C16	Audio filter	\$0.15
20	C 6	Cap	1C16	IC1 timing	\$0.10
21	C 7	Cap	2C16	IC2 timing	\$0.15
22	C 8	Cap	100C16	DC filter	\$0.15
40	CB	Case Back			\$2.00
29	D1	Diode	1N4148	Audio Detector	\$0.04
30	D2	Diode	1N4001	Protection	\$0.10
31	D3	Diode	1N4001	Protection	\$0.10
32	D4	LED	TIL220	Indicator	\$0.20
38	FP	Front Panel			\$2.50
44	IB	Instructions		Instruction Sheet	\$0.25
25	IC1	IC	555	Audio timer	\$0.65
26	IC2	IC	555	Oscillator	\$0.65
33	J1	DC Jack		Input Jack	\$0.45
35	J2	Jack	S2/SNS	Output Jack	\$0.45
36	J3	Jack	S2/SNS	Audio input	\$0.45
46	Lb	Label		Model sticker	\$0.10
51	LW	#6 lockwashers		2 per unit.	\$0.08
50	NU	6/32 Nuts		2 per unit	\$0.08
27	P1	Pot	10K	Audio sens. control	\$1.10
28	P2	Pot	1M Audio	Speed control	\$1.10
37	PCB	Printed Circuit			\$2.50
34	PS1	AC Adapter		Power supply	\$3.50
23	Q1	Transistor	2SC1815	Low pass filter	\$0.20
24	Q2	Transistor	2SC1815	Audio detector	\$0.20
1	R 1	Resistor	4K7	Power Limiting	\$0.02
2	R 2	Resistor	10K	Low pass filter	\$0.02
3	R 3	Resistor	10K	Low pass filter	\$0.02
4	R 4	Resistor	100K	Q1 bias	\$0.02
5	R 5	Resistor	100K	Q1 Bias	\$0.02
6	R 6	Resistor	4K7	Q1 load	\$0.02
7	R 7	Resistor	22K	C4 discharge	\$0.02
8	R 8	Resistor	10K	C5 discharge	\$0.02
9	R 9	Resistor	100K	Q2 base current limit	\$0.02
10	R10	Resistor	10K	Q2 collector load	\$0.02
11	R11	Resistor	68K	IC1 timing	\$0.02
12	R12	Resistor	10K	IC2 timing	\$0.02
13	R13	Resistor	100K	IC2 timing	\$0.02
14	R14	Resistor	680R	LED current limiting	\$0.02
41	S1	Switch	SPDT	Auto/Audio switch	\$0.28
42	S2	Switch	SPST	On Switch	\$0.28
43	S3	Switch	SPST PB	Flash switch	\$0.75
39	SC	Sub Chassis			\$2.00
47	SC	Screws	#6	Sheet metal X 4	\$0.16
49	SC2	Mach. Screw	6/32 X 3/4	Mounting screw	\$0.08
48	SP	Spacers	5/16 X 1/4	Mounting X 2	\$0.25

\$22.42

+ 2 knobs

23.62