

DESIGNER'S NOTEBOOK



ROBERT GROSSBLATT
CIRCUITS EDITOR

An expandable keyboard encoder and display circuit.

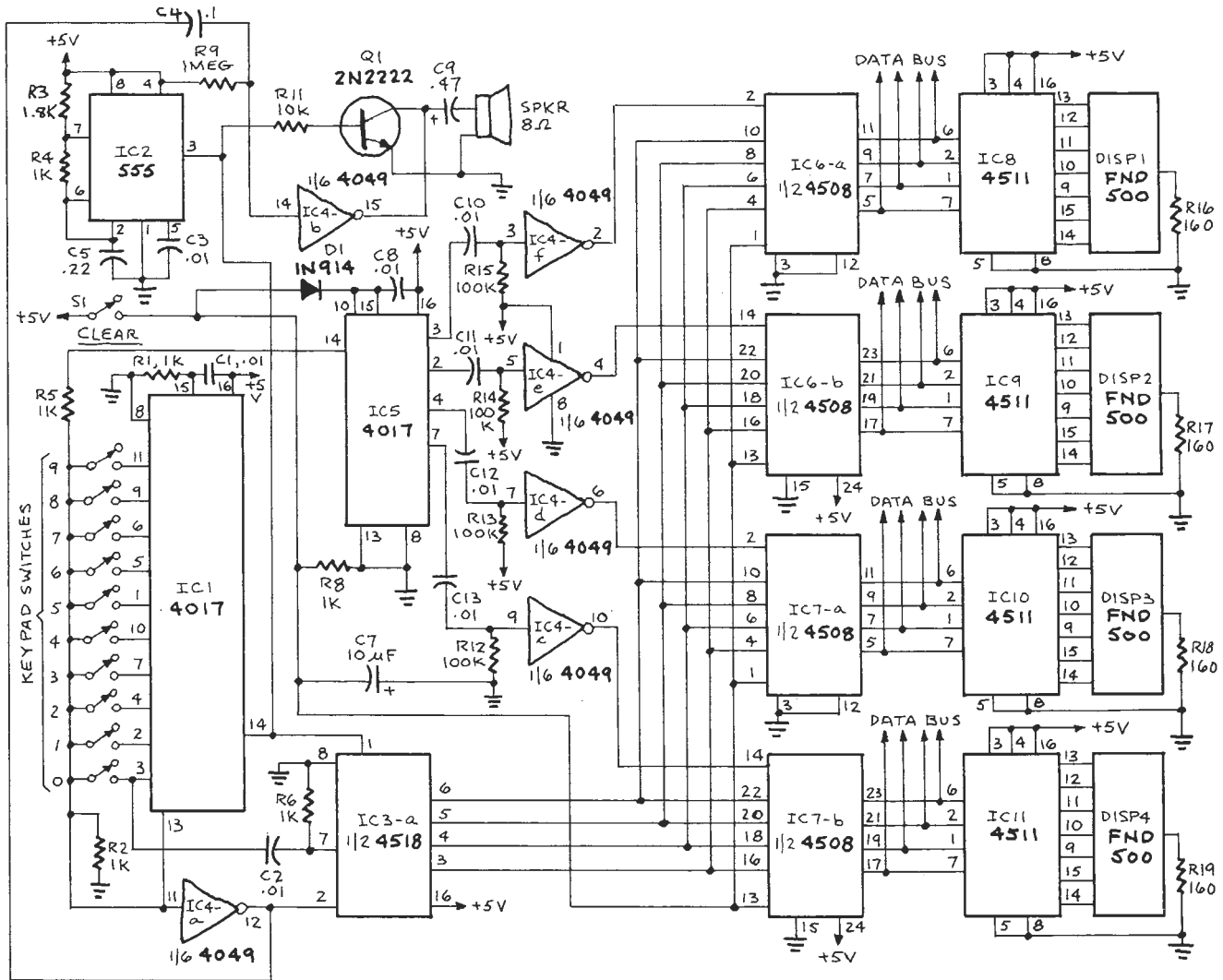


FIG. 1

RADIO-ELECTRONICS

A FEW MONTHS AGO IN THE "DRAWING Board" (see **Radio-Electronics**, April 1985), we spent some time talking about memory, and actually built a circuit to demonstrate the use of the 5101 CMOS memory

IC. Unfortunately, we goofed. We mentioned a keyboard encoder that could be used with that memory circuit, but neglected to tell you where to find it. Sorry about that.

The circuit I was referring to appeared in the "Drawing Board" columns in the February through April, 1983, issues of **Radio-Electronics**. The schematic of that circuit is shown in Fig. 1.