

4 Troubleshooting Checklist

If you have a problem during installation, check these items first:

- Is the SCSI device powered? Did you power it before booting your computer?
- Are SCSI and power cables properly connected?
- Is another device set to the IRQ channel and I/O port address you specified for the adapter. If so, change these settings for the AVA-1502E.
- Does the SCSI device support parity checking? If it does not, disable parity checking in the driver software.
- Is the SCSI device terminated?

FCC Compliance Statement

NOTE: This equipment has been tested and found to comply with the limits for a Class B digital device, pursuant to Part 15 of the FCC rules. These limits are designed to provide reasonable protection against harmful interference in residential installations. This equipment generates, uses, and can radiate radio frequency energy, and if not installed and used in accordance with the instructions, may cause harmful interference to radio communications. However, there is no guarantee that interference will not occur in a particular installation.

If this equipment does cause interference to radio or television equipment reception, which can be determined by turning the equipment off and on, the user is encouraged to try to correct the interference by one or more of the following measures:

- Reorient or relocate the receiving antenna
- Move the equipment away from the receiver
- Plug the equipment into an outlet on a circuit different from that to which the receiver is powered
- If necessary, the user should consult the dealer or an experienced radio/television technician for additional suggestions

CAUTION: Only equipment certified to comply with Class B (computer input/output devices, terminals, printers, etc.) should be attached to this equipment, and must have shielded interface cables.

Finally, any changes or modifications to the equipment by the user not expressly approved by the grantee or manufacturer could void the user's authority to operate such equipment.

Each host adapter is equipped with an FCC compliance label that shows only the FCC identification number. The full text of the associated label follows:

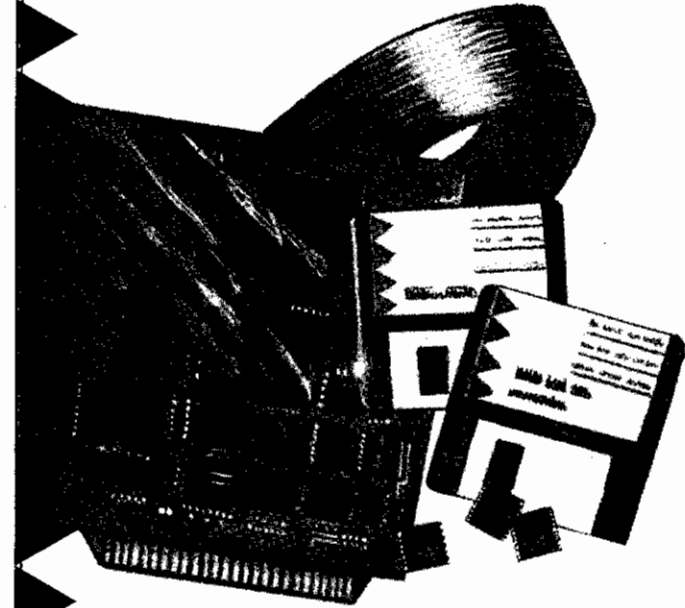
This device complies with part 15 of the FCC rules. Operation is subject to the following two conditions: (1) this device may not cause harmful interference and (2) this device must accept any interference received, including interference that may cause undesired operation.

Adaptec, Inc.
691 South Milpitas Blvd.
Milpitas, CA 95035

Copyright © 1994-1995, Adaptec, Inc. All rights reserved. Adaptec, the Adaptec logo, AHA, and AVA are trademarks of Adaptec, Inc. which may be registered in some jurisdictions. Windows and Windows 95 are registered trademarks of Microsoft Corporation in the U.S. and other countries used under license. All other trademarks are owned by their respective owners.

Printed in Singapore
Stock No.: 510841-00, Rev. B KL 1/96
Information subject to change without notice.

Installation Guide



AVA-1502E
ISA-to-SCSI Host Adapter
with External SCSI Connector

 adaptec®

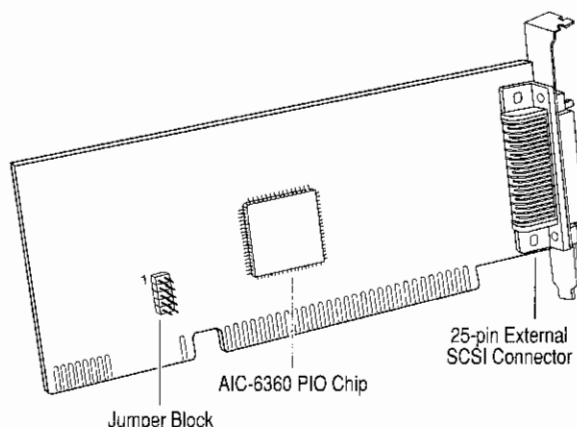
1 Overview

The AVA™-1502E is an ISA-to-SCSI host adapter for DOS, Windows® 3.1, and Windows 95. It provides a simple, cost-effective solution for connecting a single, nonbootable external SCSI device to your PC.

The AVA-1502E host adapter supports 2.0 MBytes/sec asynchronous and 5.0 MBytes/sec synchronous SCSI data transfer rates, with word and double word PIO (Programmed I/O) data transfers.

Host Adapter Layout

The figure below shows the major AVA-1502E components.



2 Default Settings

The AVA-1502E is designed to operate with its default settings in most ISA-class PCs.

Parameter	Default Setting
SCSI Disconnection ¹	Enabled
SCSI ID ¹	7
SCSI Parity ¹	Enabled
Termination	Permanently Enabled
IRQ Channel ²	10
I/O Port Address ²	140h-15Fh

¹ These values are set by the driver software (see software documentation).

² These settings are controlled by jumpers. See the table on page 2

Jumper Selections

In most cases, you *do not* have to change the AVA-1502E default jumper settings. However, if there is a conflict with another device, change these settings now before you install the host adapter. If you change the settings, you may also need to change driver software options (see the software documentation).

The jumper block settings are printed on the host adapter. The table below shows the possible jumper settings for jumper block J2. Default settings are marked with an asterisk (*).

IRQ Channel	J2-1 ¹	J2-2	J2-3	J2-4	I/O Port Address	ALT
09 ²	On	Off	Off	Off	Primary 340h-35Fh	Off
10*	Off	On	Off	Off	Secondary 140h-15Fh*	On
11	Off	Off	On	Off	On = Jumper	
12	Off	Off	Off	On	Off = No Jumper	

¹ Place jumper on *only* one IRQ channel pin pair; only one IRQ may be chosen.

² Not recommended with Windows 3.x.

3 Hardware Installation

Follow these steps to install the AVA-1502E and connect your SCSI device.



WARNING: Turn OFF and disconnect the power to your PC and attached devices.

- 1 Remove the chassis cover of your PC to gain access to the ISA expansion slots.
- 2 Locate an unused ISA expansion slot.
- 3 If necessary, remove the corresponding slot cover from the computer chassis.
- 4 Align and insert the host adapter into the ISA slot. Then secure it to the PC chassis with the screw from the removed slot cover.
- 5 Connect one end of a 25-pin external SCSI cable to the SCSI connector on the AVA-1502E.
- 6 Connect the other end of the external SCSI cable to the SCSI connector on the SCSI device. (See the device documentation for more information.)



Caution: The AVA-1502E host adapter supports only one *single-ended* SCSI device. Do not connect a *differential SCSI* device to the host adapter because the device may be damaged. The SCSI device documentation will tell you whether the SCSI device is single-ended or differential.

- 7 Terminate the SCSI device. See your SCSI device documentation for instructions on how to do this. You terminate most external SCSI devices by attaching a terminating plug to the second SCSI connector on the device.



Note: The AVA-1502E supplies termination power on the SCSI bus.

- 8 Be sure the external SCSI device is set to a SCSI ID between 0 and 6 (the host adapter uses SCSI ID 7). See your SCSI device documentation if you need to change the device's ID.
- 9 Replace the PC chassis cover, following the instructions in your PC documentation.
- 10 Make sure all power switches are OFF, then reconnect power cables to your PC.
- 11 Turn ON the power for the device, then for the PC.
- 12 Install driver software, as required.



Note: If you change the host adapter jumper settings after installing the driver software, you may need to reinstall or reconfigure the software. See the software documentation.