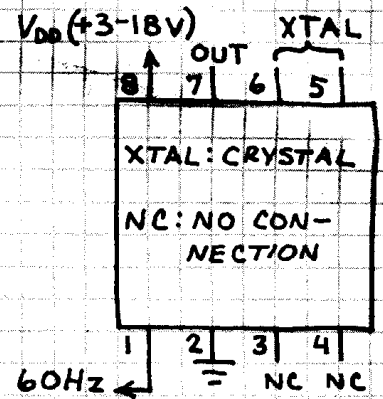


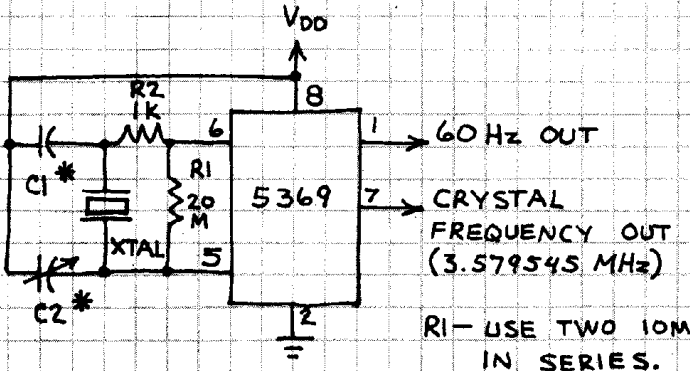
60-Hz TIMEBASE

MM5369 (276-1769)

PROVIDES PRECISE 60 Hz SQUARE WAVE WHEN USED WITH 3.579545 MHz COLOR TV CRYSTAL. USE FOR MOST DO-IT-YOURSELF TIMERS, CLOCKS, CONTROLLERS, FUNCTION GENERATORS. INSTALL IN SMALL CABINET FOR WORKBENCH PRECISION CLOCK.



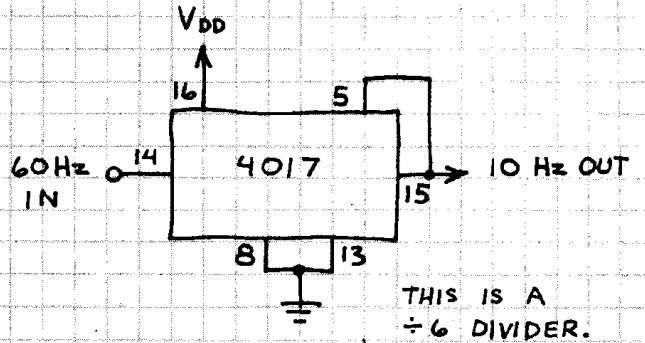
60-Hz TIMEBASE



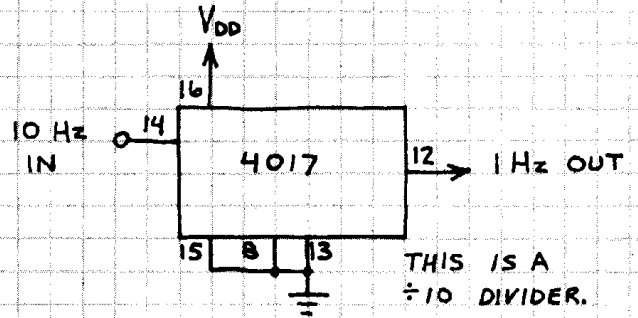
R1 - USE TWO 10M IN SERIES.

* MOTOROLA SPECIFIES THAT $C1 = 30\text{pF}$ AND $C2 = 6.36\text{pF}$. OK TO USE SIX 4.7pF CAPACITORS IN PARALLEL OR 47pF CAPACITOR FOR $C1$. TRY TUNABLE CAPACITOR (e.g. $5-50\text{pF}$) FOR $C2$. TO TUNE, CONNECT FREQUENCY METER TO PIN 7. TUNE $C2$ UNTIL FREQUENCY IS $3,579,545\text{ Hz}$. ACCURACY FAIRLY GOOD EVEN IF YOU DON'T TUNE $C2$.

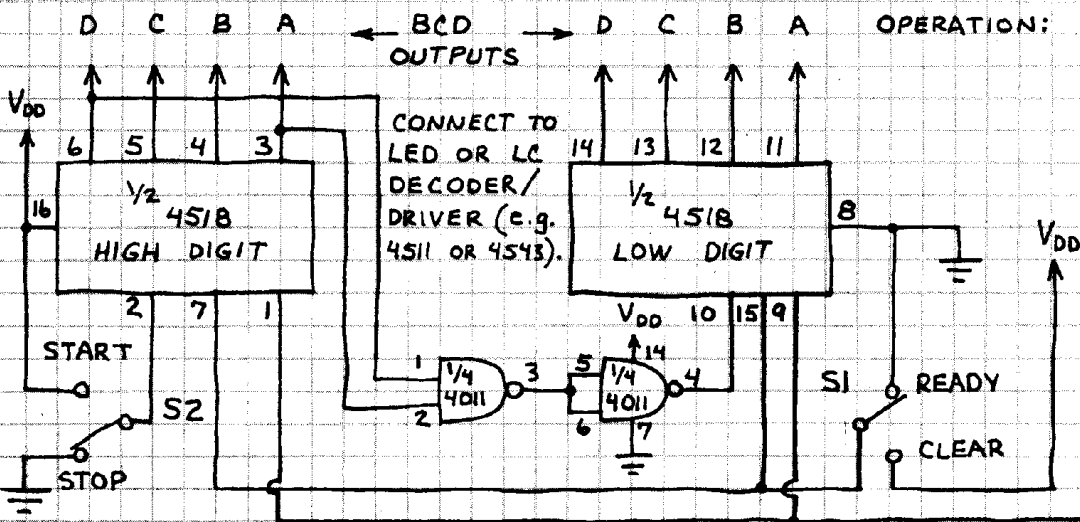
10-Hz TIMEBASE



1-Hz TIMEBASE



DIGITAL STOPWATCH



OPERATION: 1. TOGGLE S1 FROM CLEAR TO READY. 2. SWITCH S2 FROM STOP TO START. 3. SWITCH S2 FROM START TO STOP.

1 Hz = 00-99 SEC
10 Hz = 0.0-9.9 SEC
OK TO ADD MORE STAGES.