

CD-ROM DRIVE UNIT
CD-ROM-LAUFWERK
UNITÉ DE LECTEUR DE DISQUE CD-ROM

CR-562-B

INSTRUCTION MANUAL
BEDIENUNGSANLEITUNG
MANUEL D'INSTRUCTIONS

Please read through these instructions before operating this unit.

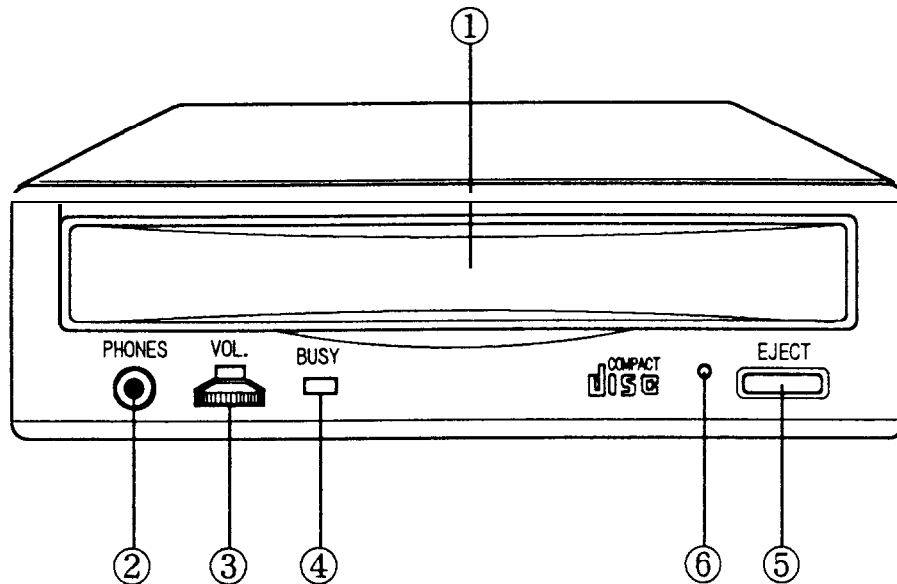
Diese Bedienungsanleitung bitte vor Inbetriebnahme des Geräts aufmerksam durchlesen.

Veuillez lire ces instructions avant de faire fonctionner cette unit&

Interface
Schnittstelle
Interface: IBM-PC/AT

CHAPTER 2 PARTS AND FUNCTIONS

2.1 FRONT PANEL



① DISC TRAY

Accepts a CD-ROM disc on it.

2. HEAD PHONE JACK

Connects headphone, use 3.5mm stereo mini plug.

3. VOLUME

Adjust audio output level.

@BUSY INDICATOR

Lit up when data is accessed and read from disc, or the drive is playing audio.

5. EJECT/LOAD BUTTON

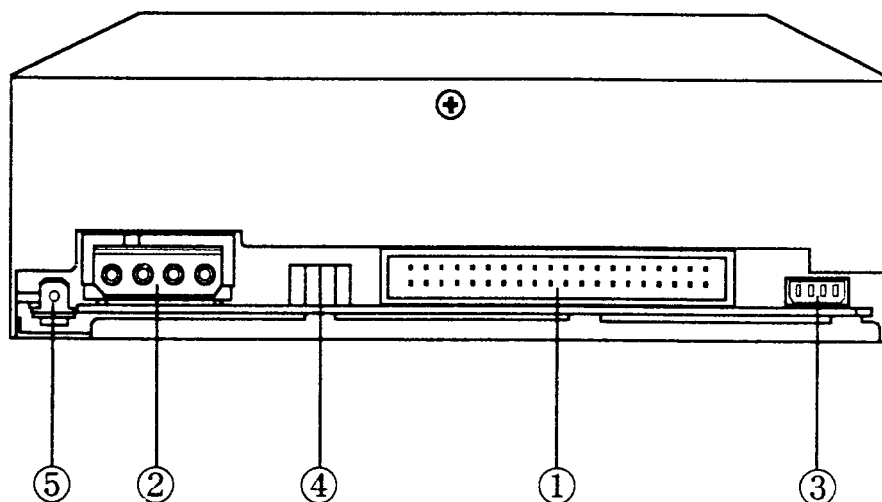
Eject and load the tray from drive unit.

@ EMERGENCY EJECT HOLE

Insert an instrument such as straightened paper clip into this hole to manually eject the tray. (See 4.1)

CHAPTER 2 PARTS AND FUNCTIONS (CONTINUED)

2.2 REAR PANEL



1. INTERFACE CONNECTOR

Connect to host computer's interface connector.

@DC (IN) CONNECTOR

@ AUDIO OUT CONNECTOR

4. JUMPER PIN

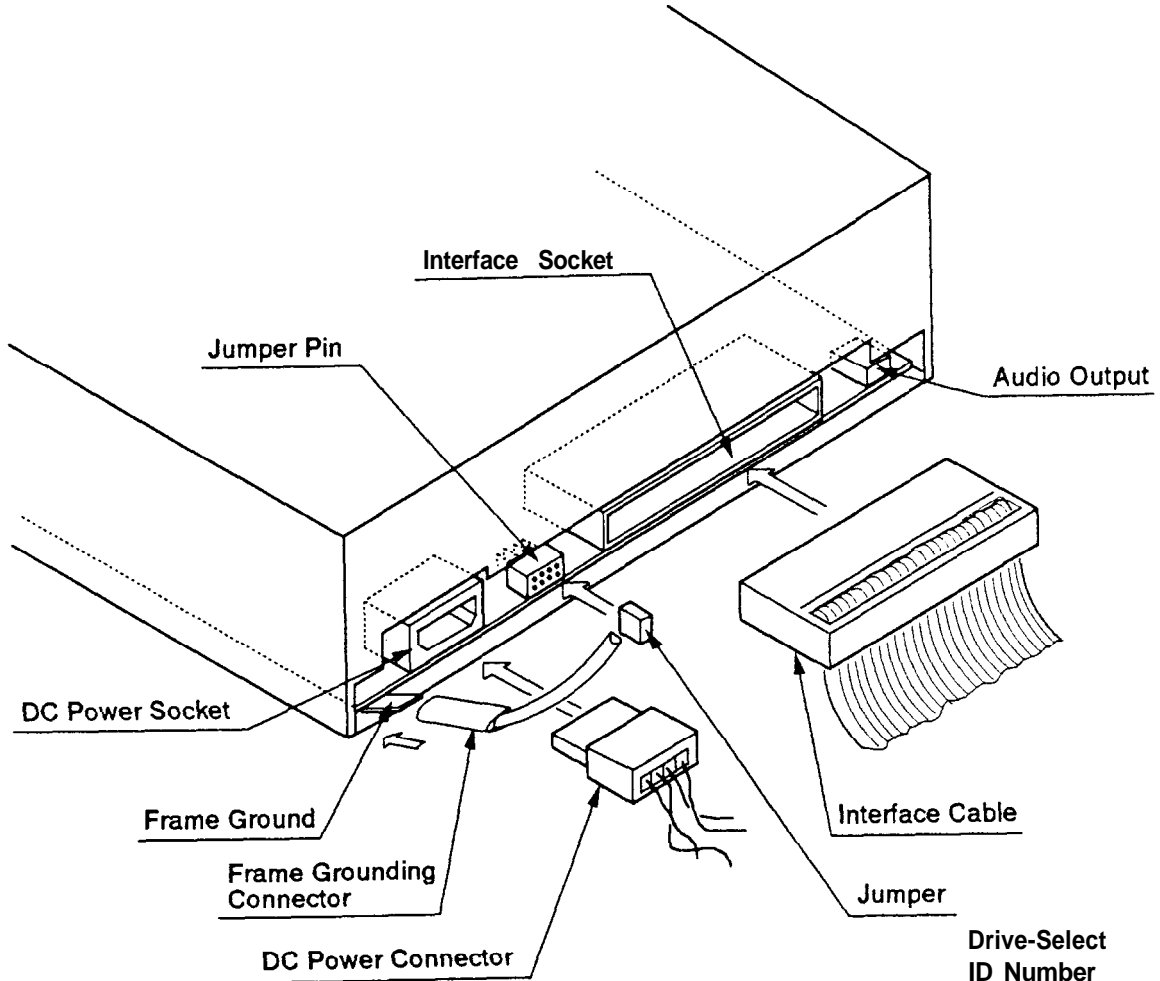
Place the jumpers in order to select drive ID Number.

5. FRAME GROUND TERMINAL

CHAPTER 3 CONNECTIONS

3.1 CONNECTING VIEW

- * Interface
- * DC Power



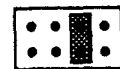
Drive-Select
ID Number



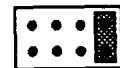
0



1



2



3

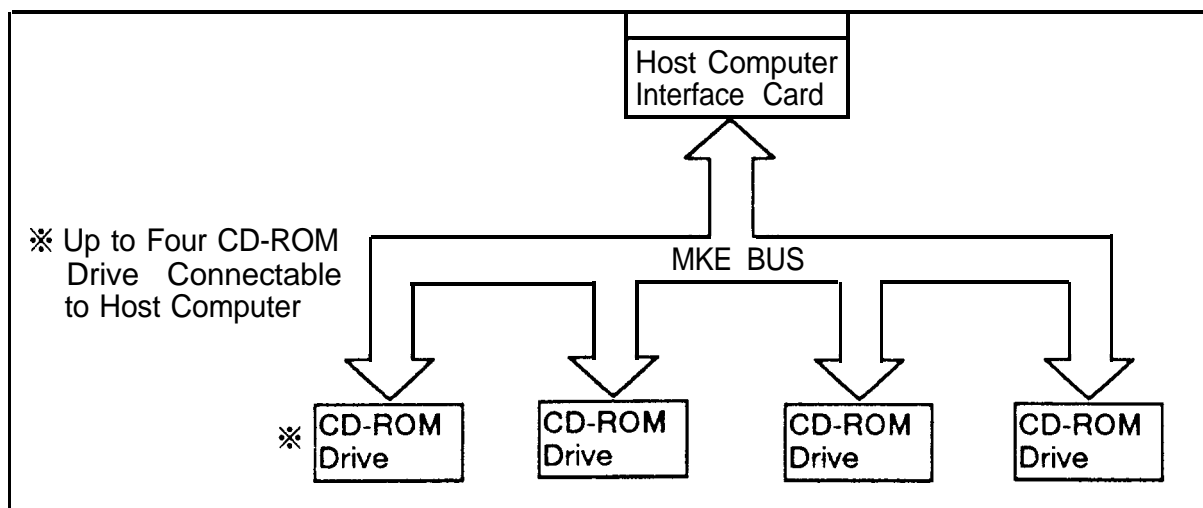
CHAPTER 5 GENERAL DESCRIPTION

5.1 FEATURE-SUMMARY

- ① Automatic Loading with tray.
- ② Horizontal Installation.
- ③ Audio Playback Capability.
- ④ MS- DOS CD- ROM Extensions Available.
- ⑤ 5 ¼" Half Height Design.
- ⑥ Lens cleaning mechanism.

5.2 SYSTEM SET UP

The system configuration should be as depicted in the following figure.



5.3 POWER SAVING

- ① When the drive waits for the command from the Host for more than **five minutes**, Drive enters Power Save Mode. Laser and Spindle motor stop. ※
- ② Re-start automatically when the Host Command is received.

※ Five minutes : Default value
You can change the value by the Command.

CHAPTER 6 SPECIFICATION SUMMARY

6.1 PERFORMANCE

① Disc diameter	12cm, 8cm
② Disc speed	
(NV mode) *1	200-530rpm (CLV)
(DV mode) *2	400-1 060rpm (CLV)
③ Data capacity	540MBytes typical (12cm Disc) 180MBytes typical (8cm Disc)
④ Data transfer Rate	
Sequential (NV mode)	150kBytes/s(Mode 1)
Sequential (DV mode)	300kBytes/s(Mode 1)
From buffer	2.3MBytes/s
@Access time	
Random access time *3 (NV mode)	380ms typical
Random access time (DV mode)	320ms typical
Fullstroke access time *4 (NV mode)	660ms typical
Fullstroke access time (DV mode)	640ms typical
⑥ Buffer Size	64kBytes

MTBF 25000POH

Notes:

- *1 NV mode : Normal Velocity mode
- *2 DV mode : Double Velocity mode
- *3 Random access time : Average of Data read over the whole area from CO min. 02 sec. 00 block to 59 min. 58 sec. 74 block more than 2000 times including latency and layered error correction time.
- *4 Fullstroke access time : From 00 min. 02 sec. 00 block to 59 min. 58 sec. 74 block including latency and layered error correction time.

6.2 ERROR RATES

- Soft read errors Less than 10^{-9}
- Hard read errors Less than 10^{-12}

6.3 AUDIO PERFORMANCE

① Number of channels	2
② Frequency response	1 00Hz-20kHz (Head phone) 20Hz-20kHz (Line out)
③ SN Ratio	More than 80dB
④ Distortion	Less than 0.2% (1 kHz)
⑤ Output level	
. Line - out	0.80Vrms
. Head phone	060Vrms

6.4 GENERAL PERFORMANCE

① Power requirement	+5v \equiv 1.0A +12V \equiv 1.5A
② Dimensions (W X H X D)	146 X 41.3 X 196mm
③ Weight	950g

6.5 ENVIRONMENTAL CONDITION

	Operating	Non-operating
. Temperature	5-45 °C	- 20-55°C
. Humidity	20-80% Rh (No-condensing)	15-80%Rh (No-condensing)

6.6 PICK UP LASER

*Type	Semiconductor laser GaAlAs
*Wave Length	790 + 25nm
*Divergence	$\theta = 53.5'' \pm 1.5''$
*Output power	0.14mW

CHAPTER 7 BEFORE REQUESTING SERVICE

7.1 PICK UP CLEANING

Usage of CD-ROM drive for a long term causes dust on pick-up objective lens and furthermore depletion of optical performance. In order to remove dust on lens, this CD-ROM drive has lens cleaning mechanism. Load and eject the tray, then start cleaning automatically. The periodical cleaning is desired to maintain drive performance.

7.2 TROUBLE AND CORRECTION

- (1) There are many kinds of troubles caused by misuse. When a problem occurs, check the Table below which describes possible problems occurring with your CD – ROM.
- (2) If the CD – ROM is not operating correctly and you cannot restore operation by following the detailed procedures in the Table below, do not remove the cover of the units or adjust further.
- (3) On upper occasion, unplug the unit and consult with your dealer or the nearest service station.

TROUBLE	CORRECTION
<ul style="list-style-type: none"> • CD-ROM does not operate and Busy Indicator does not light. 	<ul style="list-style-type: none"> ① Confirm that interface board is installed correctly in your host computer. ② Confirm that connection between CD- ROM drive and host computer is correct. @Confirm that program is correct. @Confirm that setting drive select switch is correct. @Confirm that disc is placed with label side up. @Confirm that foreign objects are not inserted.