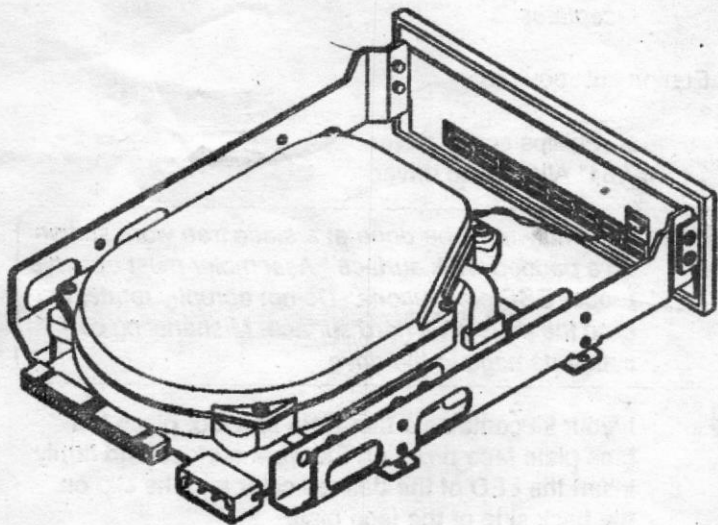


8051A

5-1/4" Bracket

Assembly Instructions



Maxtor

Maxtor Colorado Corporation

5-1/4" Bracket Assembly Instructions

Your 5-1/4" bracket kit should include the following parts:

- 4 - Phillips head screws, 4-40 x .18 LG
- 4 - Socket head cap screws, 6-32 x .25 LG
- 1 - Right side bracket
- 1 - Left side bracket
- 1 - Front stiffener or face plate
- 2 - LED assemblies, red and green

Note: LED assemblies are only included in kits with faceplates.

Equipment required:

- #1 Phillips screw driver
- 7/64" Allen head driver

Note: Assembly must be done at a static free work station on a padded work surface. Assembler must observe proper ESD precautions. Do not abruptly rotate, or drop the drive on a hard surface. Mishandling can cause damage to the drive.

1. If your kit contains a faceplate and led, place the face plate face down on the work surface and firmly insert the LED of the desired color into the clip on the back side of the face plate.
2. Assemble both brackets to faceplate or stiffener as shown in Figure 1, using the four Phillips head screws. The faceplate should be perpendicular to the work surface. Tighten each to 7 in-lb.
3. Place the drive into the bracket as shown in Figure 1. Position the drive such that the tapped holes in

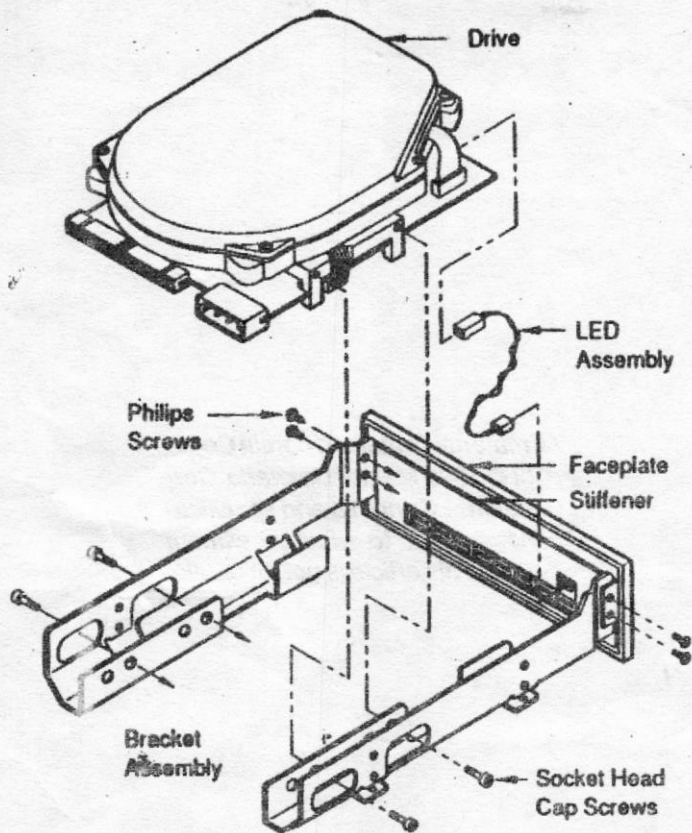


Figure 1
Bracket and Drive Assembly

the shock mount line up with the forward thru-holes in the bracket. Attach the drive to the bracket using the four socket head cap screws. Tighten each to 7 in-lb.

4. If your kit contains a face plate and LED assembly, turn the drive over and connect the LED cable's connector to J8 on the circuit card.

All material contained herein Copyright © 1990 Maxtor Colorado Corporation. Contents and specifications subject to change without notice. This article is not for resale.

Part #1198/A

**Maxtor Colorado Corporation
2190 Miller Drive
Longmont, CO 80501
303-651-6000**