



ROTARY SWITCH

BELTON

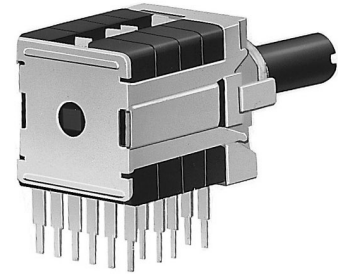
(BTSR16H SERIES)

CAT.NO.: BTSR16H-1

General purpose rotary switch with compact ganged design

Features

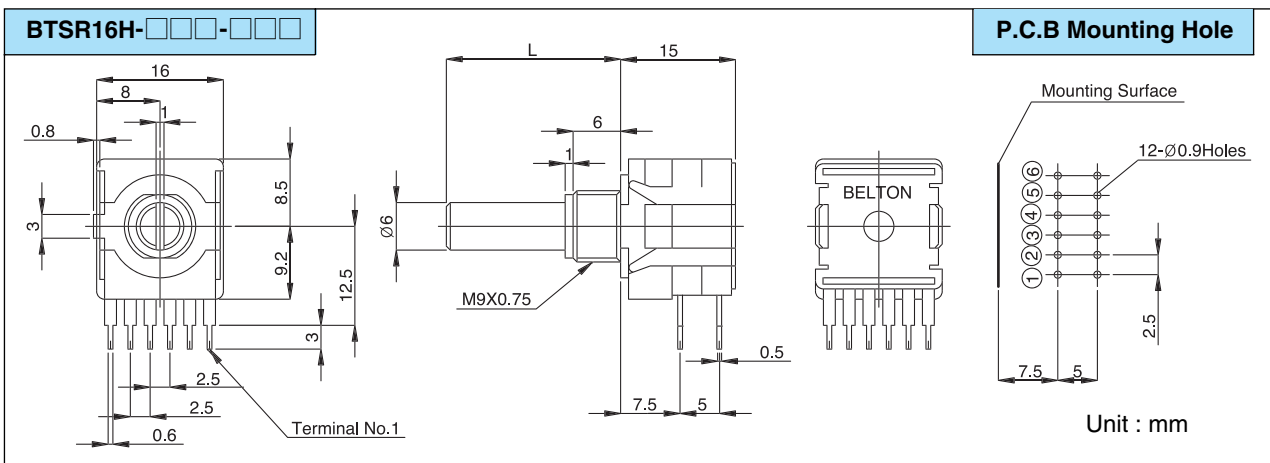
- Designed for general purpose electric and electronic equipments
- P.C.Board mounting type and compact size (21mm:height × 16.2mm:width)
- 12.5mm height from shaft center to P.C.Board



Applications

- For all kinds of electric and electronic equipments, specially for measuring instruments and radio equipments

Standard Dimensions



Product Classifications

Product		Rotary switch	Pulse switch
Shaft structure			
Single shaft		○	○
Dual shaft	1 section rotary switch with out-shaft	○	—
	2 sections rotary switch with out-shaft	○	—
	3 sections rotary switch with out-shaft	○	—

Mechanical specifications

- Electrical life: 10,000 cycles min
- Terminal strength: 500gf · cm for 1 min
- Solderability: 230 ± 5°C, 3 sec
- Contact timing: shorting and non-shorting
- Changeover angle: 30 ± 3° (2~6 positions)

Rotational Torques

- Single shaft: 700 ± 300gf · cm
- Dual shaft: 700 ± 300gf · cm
- Rotational torque can be changeable by option

Electrical specifications

- Electrical Rating: 0.3A, 16V DC
- Contact Resistance: 50 mohms(initial)
- Insulation Resistance: 100 Mohms, 500V DC
- Withstanding Voltage: 1min. at 500V AC
- Circuits: Refer to the next page



Belton Engineering Co., Ltd.

Unit 1208, Daerung Techno town 8,
481-11, Gasan-Dong,
Geumcheon-Gu, Seoul, Korea

TEL : (822)2163-0060~0065
FAX : (822)2163-0066
E-mail : belton@unitel.co.kr



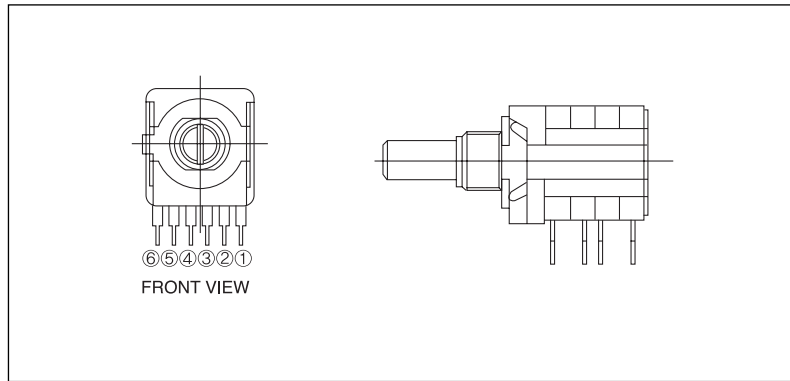
ROTARY SWITCH

BELTON

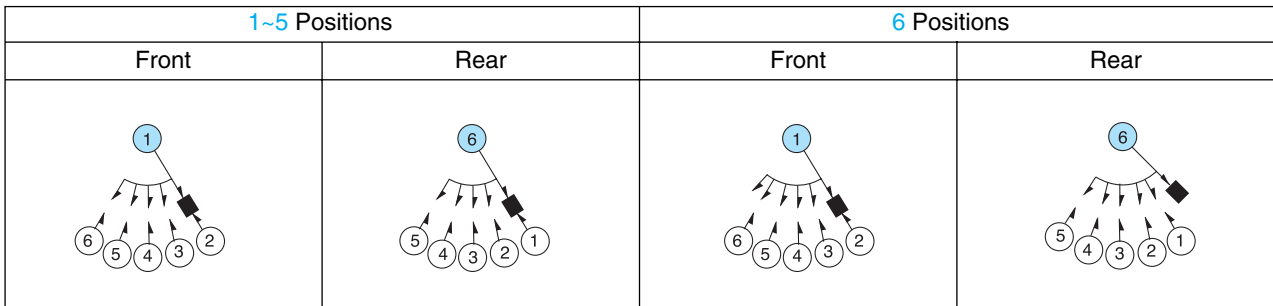
(BTSR16H SERIES)

CAT. NO.: BTSR16H-2

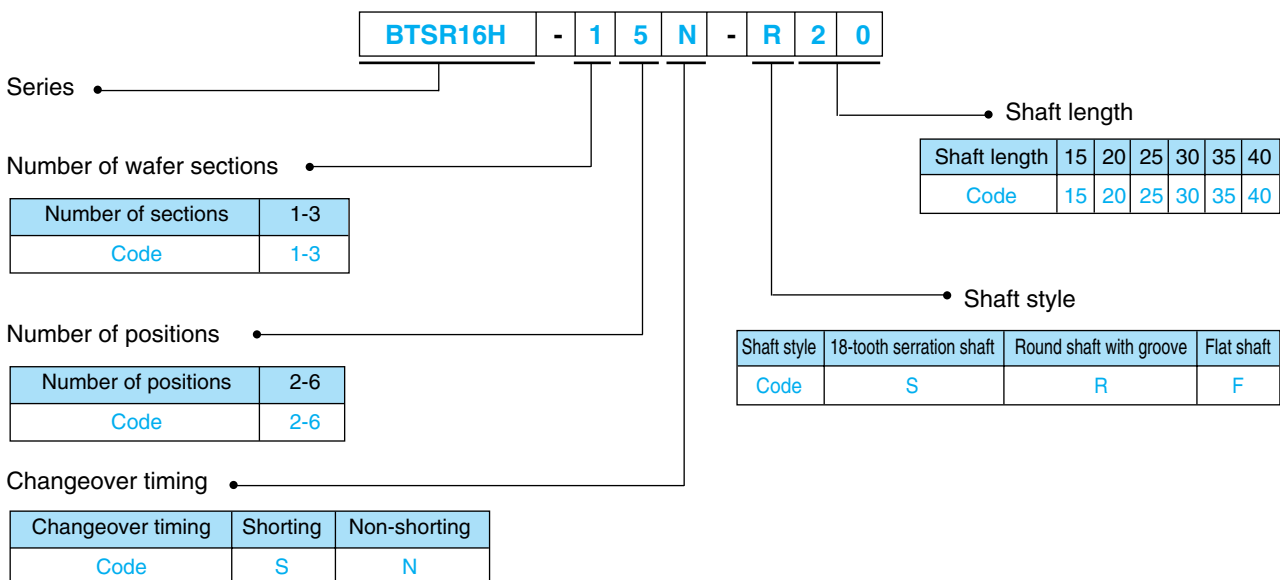
Circuit Diagram



REVERBERATION UNIT
 ROTARY SWITCH
 ENCODER SWITCH
 VACUUM TUBE SOCKET & SHIELD
 POWER ENTRY
 JACK & XLR SOCKET



Suggested ordering code



Belton Engineering Co., Ltd.

Unit 1208, Daerung Techno town 8,
 481-11, Gasan-Dong,
 Geumcheon-Gu, Seoul, Korea

TEL : (822)2163-0060~0065
 FAX : (822)2163-0066
 E-mail : belton@unitel.co.kr



ROTARY SWITCH

BELTON

(BTSR16H SERIES)

CAT.NO.: BTSR16H-3

Typical Dimensions

- REVERBERATION UNIT
- ROTARY SWITCH**
- ENCODER SWITCH
- VACUUM TUBE SOCKET & SHIELD
- POWER ENTRY
- JACK & XLR SOCKET

Type	No. of section	Dimension	P.C.Board mounting
Single shaft	1 section rotary switch		
	2 sections rotary switch		
	3 sections rotary switch		
Dual shaft	1 to 3 sections rotary switch		



Belton Engineering Co., Ltd.

Unit 1208, Daerung Techno town 8,
481-11, Gasan-Dong,
Geumcheon-Gu, Seoul, Korea

TEL : (822)2163-0060~0065
FAX : (822)2163-0066
E-mail : belton@unitel.co.kr