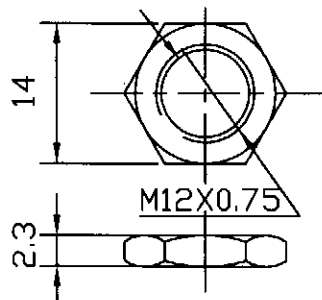
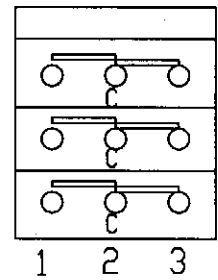


參考用圖

NUT 2 PC

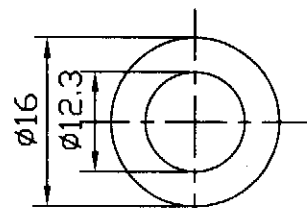


SCHEMATIC

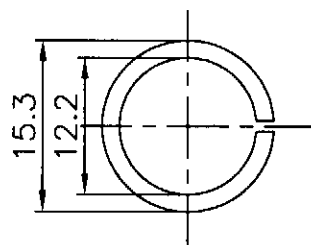


PUSH
1-2 ON
OR
PUSH
2-3 ON

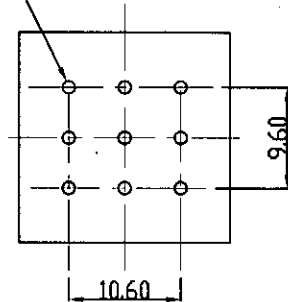
WASHER 1 PC t=0.5



SPINGWASHER 1 PC t=1.0



9- $\phi 1.2^{+0.1}_{0.0}$ HOLES



NOTE:

1.FUNCTION: LATCHING

SF17010F-0302-25R-L

No.	DATE	DESCRIPTION	MODEL NAME				
TOL.UNLESS OTHERWISE STATED		DIMENSION	SCALE	DRAWN BY	CHECKED BY	APPROVED BY	DRAWING No.
less than	10	± 0.3	mm				
above	10~30	± 0.5					
above	30~100	± 1.0					
above		$\pm 5'$					