

**SUPPLEMENT SHEET
TO
MODEL PA300 SERVICE MANUAL
FOR MODEL PA300*012-NY**

A. GENERAL.

The 100-watt output of the basic Model PA300 was designed to drive a single high power speaker. However, the essential difference between models is that the PA300*012-NY can drive one or two 11-ohm impedance, high or low power speakers. When two speakers are used they must be connected in parallel.

B. MANUAL CHANGES.

The following changes should be made to the Model PA300 Installation and Service Instructions (Part No. 255A198).

1. Page 2. Change the following paragraphs, as shown below:

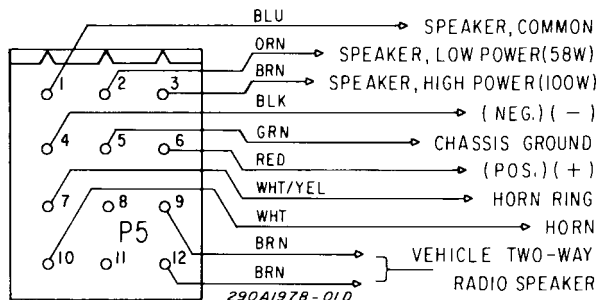
Frequency Range	800 to 1800Hz
Operating Current (14.0Vdc-WAIL)	
1 Low Power Speaker	5 amperes
2 Low Power Speakers	10 amperes
1 High Power Speaker	10 amperes
2 High Power Speakers	15 amperes
Voltage Output (approx.)	
1 Low Power Speaker	45Vp-p
2 Low Power Speakers	40Vp-p
1 High Power Speaker	64Vp-p
2 High Power Speakers	60Vp-p

2. Page 4, paragraph 3-3.A. Speaker. Change to read:

A. Speaker.

The unit is designed to operate with one 11-ohm impedance speaker or two 11-ohm impedance low power (58W) or high power (100W) speakers, connected in parallel and in phase. On FEDERAL speakers, this can be accomplished by connecting the two speaker leads marked "1" to the SPEAKER COMMON control cable lead and the two speaker leads marked "2" to the SPEAKER HI POWER or SPEAKER LO POWER control cable leads See the Control Cable Wiring Diagram (new).

A speaker is not included as part of the electronic siren. FEDERAL speakers are weatherproof



Control Cable Wiring Diagram.

and may be installed in any convenient location; on the roof, fender, behind the grill, etc. Any special mounting instructions applicable to the type of speaker you have selected will be found in the speaker carton.

Using 18 gauge wire, connect the speaker leads (58W speakers to SPEAKER LO POWER and 100W speakers to SPEAKER HI POWER) as shown in the Control Cable Wiring Diagram (new).

3. Page 7, Paragraph 4-3.E. HI-LO. Change to read:

E. HI-LO.

This function is not available on the Model PA300*012-NY.

4. Page 7, Paragraph 4-4. HORN/SIREN SWITCH. Change to read:

The HORN/SIREN switch, located on the left side of the front panel, activates the peak-and-hold sound (down) in any position except radio. The air horn function is not available on the Model PA300*012-NY.

5. Page 8, Paragraph 4-6. PRESS AND HOLD FUNCTIONS. Change to read:

PRESS AND HOLD FUNCTIONS

<u>Selector Switch Position</u>	<u>Press on Horn Ring Produces</u>	<u>Release of Horn Ring Produces</u>
Manual	Peak-and-Hold	Coast down and silence

6. Page 14. Refer to the component location diagram detail in this supplement to locate the additional PA300*012-NY components (R59, R60).

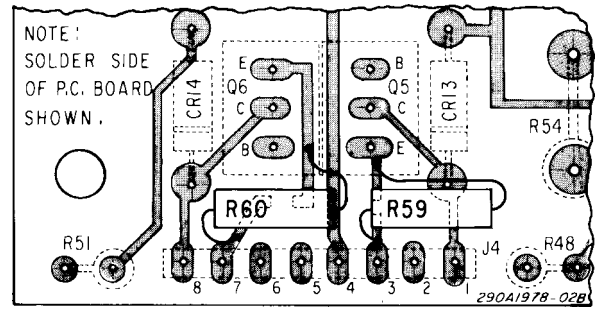
7. Page 15. A Model PA300*012-NY schematic diagram is included in this supplement sheet.

8. Page 16. Change the parts list as follows:

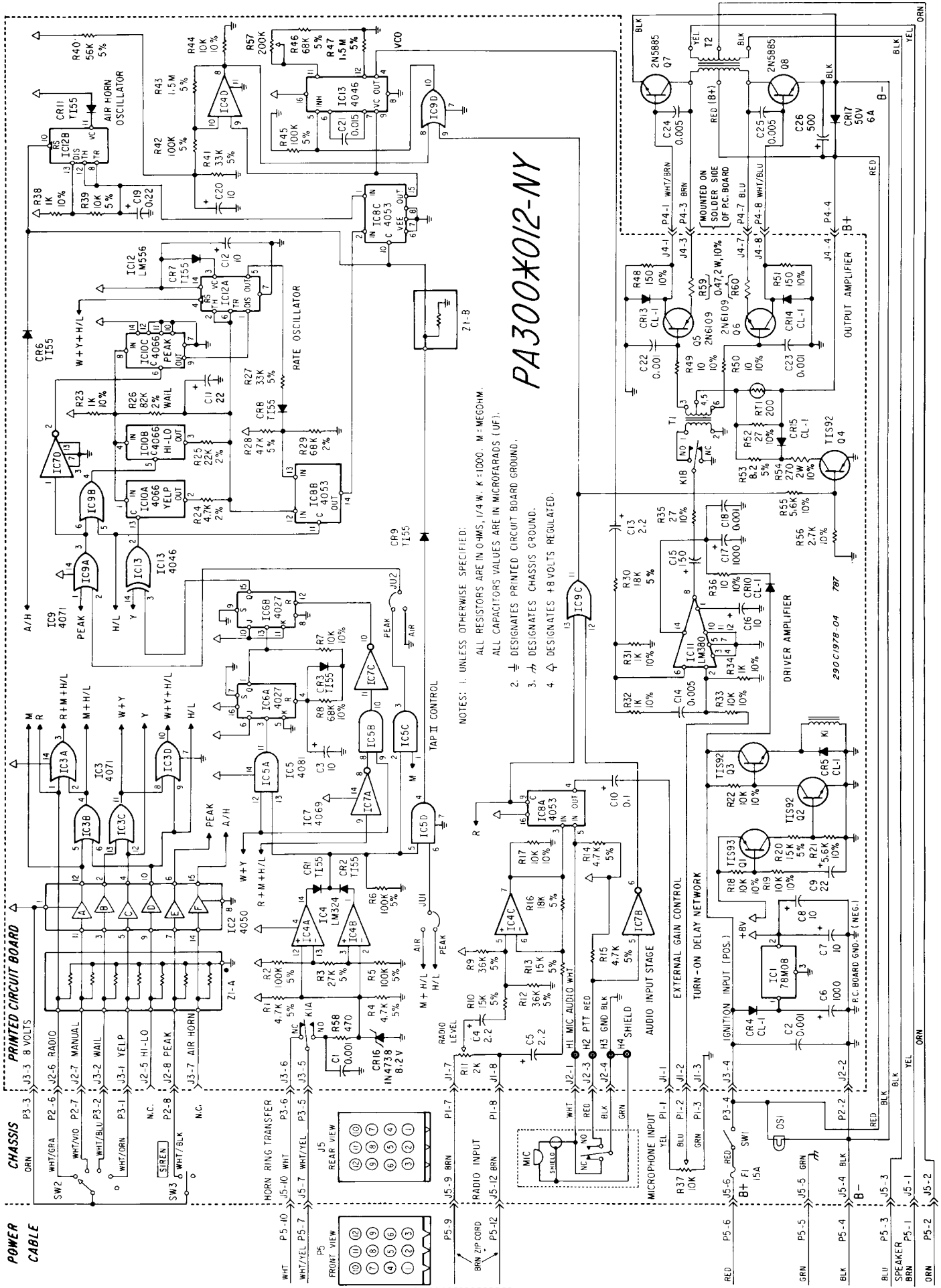
a. Add:R59, 60- Resistor, 0.47 ohm, 2W, 10%. Part No. 130A130.

b. Change the Part No. of T2 to 120C165A-04.

c. Change the Part No. of the Circuit Board (with parts installed) to 200C860-02.



Component Location Detail.



NOTES: 1. UNLESS OTHERWISE SPECIFIED:
 ALL RESISTORS ARE IN OHMS, 1/4 W. K = 1000. M = MEGOHM.
 ALL CAPACITORS VALUES ARE IN MICROFARADS (UF).
 2. ∇ DESIGNATES PRINTED CIRCUIT BOARD GROUND.
 3. ∇ DESIGNATES CHASSIS GROUND.
 4. ∇ DESIGNATES +8 VOLTS REGULATED.

PA300*012-NY

Model PA300*012-NY Schematic Diagram.