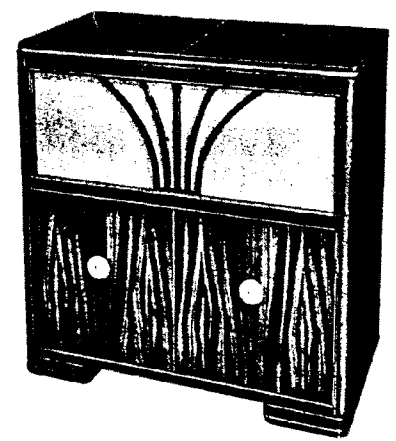


2. ALL VOLTAGES MEASURED FROM CHASSIS (GND) USING 20,000 OHMS/VOLT METER—LINE VOLTAGE 117 V.A.C. VOLTAGES SHOULD BE AS SHOWN ± 2 PERCENT.
3. SPEAKER PLUG REMOVED.
4. VOICE COIL DISCONNECTED.

SPECIFICATIONS

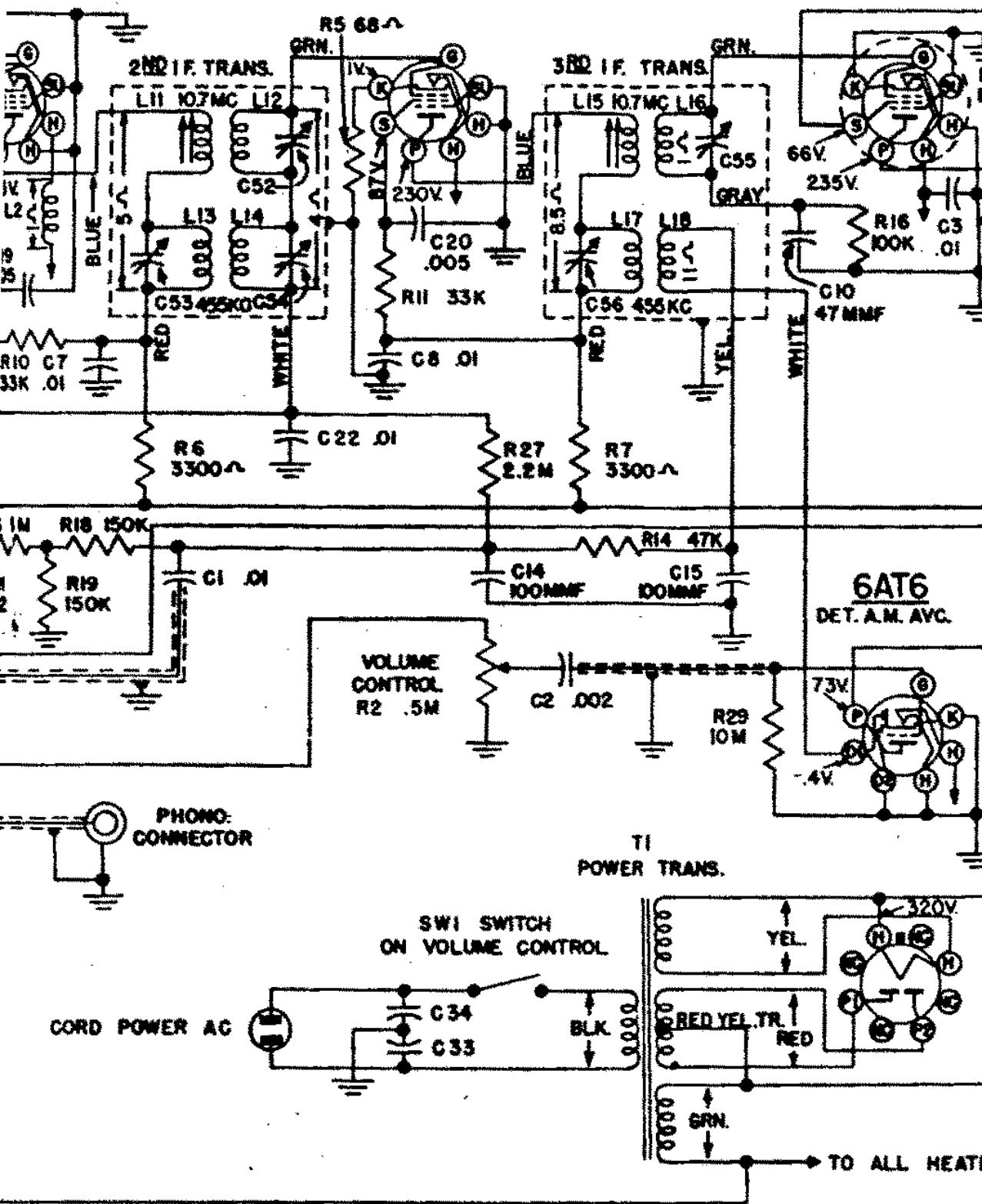
540 to 1615 kc.
 88 to 108 mc.
 FREQUENCIES:
 455 kc.
 10.7 mc.
 Converter
 1st and 2nd I-F Amp.
 Limiter (FM)
 Ratio Det. (FM)
 Det. (AM), AVC and 1st A-F Amp.
 Output Amp.
 Rectifier

PILO: LAMPS:
 1 Westinghouse No. 44 6.3 v., 0.25 amp.
 3 Westinghouse No. 51 6.3 v., 0.20 amp.
POWER OUTPUT:
 Undistorted 6 watts
 Maximum 9 watts
LOUDSPEAKER:
 Size and Type (H-161) 8" Electro Dynamic
 Size and Type (H-168 and H-168A) 10" Electro Dynamic
 Field Resistance 305 ohms
 Voice Coil Impedance 3.2 ohms
OPERATING VOLTAGE 105 to 120 volts, 50-60 cycles A-C
POWER CONSUMPTION (radio section) 110 watts

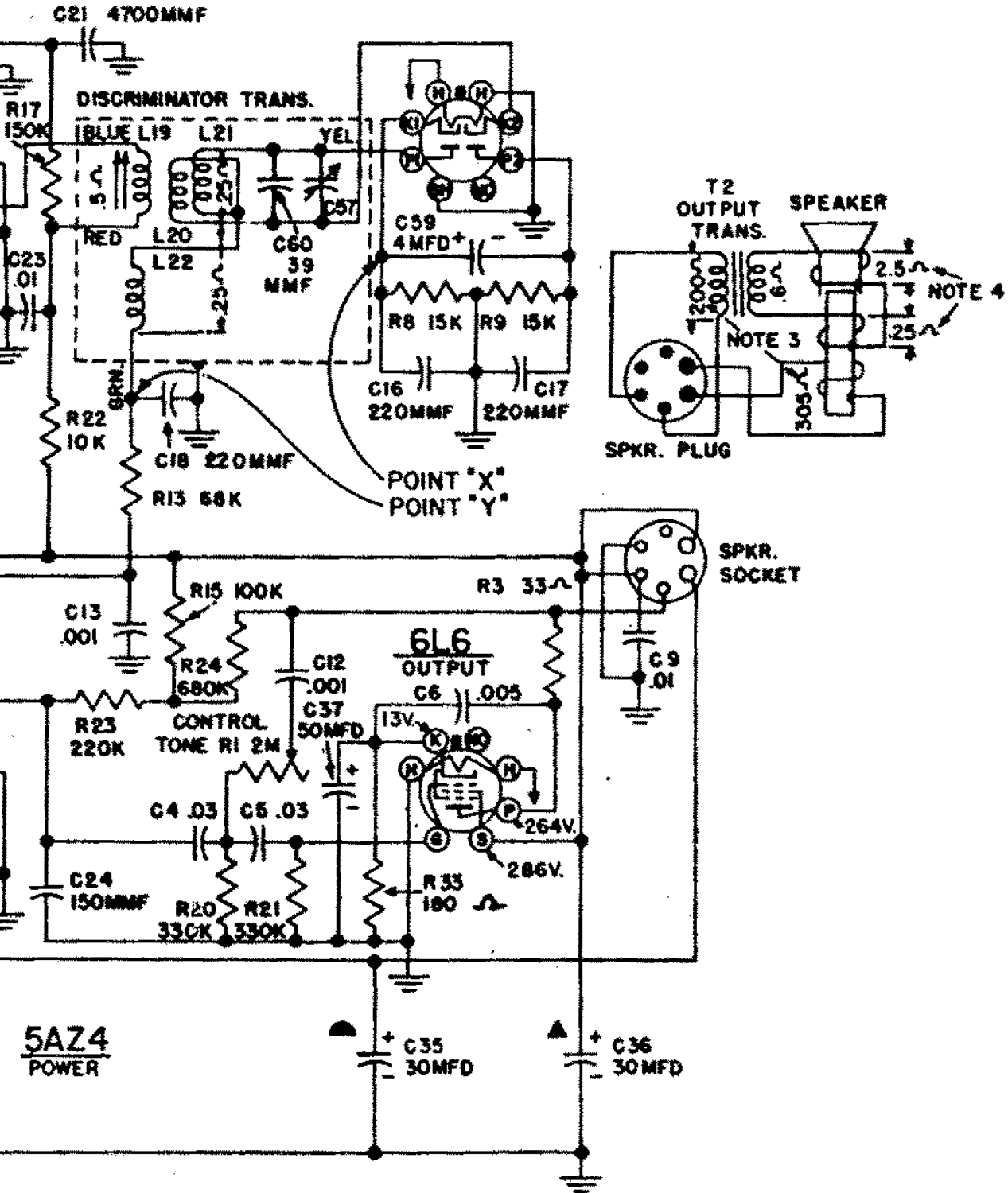


H-168 and H-168A
MAHOGANY AND BLONDE

RECORD CHANGERS: For H-168, V-M Model 800, RCD.CH. 17-1; for H-168A, Webster Model RCD.CH. 15-10; for H-168B, Webster Model 50, RCD.CH. 15-1.



7A6 DET. F.M.



OTHERS EXCEPT 5A24